

# Shindaiwa Illustrated Parts List

## AH230s EC1 Hedge Trimmer

---

CYLINDER / MUFFLER .....	2
CRANKCASE / FAN COVER / CYLINDER COVER .....	3
PISTON / CRANKSHAFT / CLUTCH SHOE .....	4
ROTOR / COIL ASSEMBLY .....	5
RECOIL STARTER .....	6
CARBURETOR / CLEANER .....	7
FUEL TANK .....	8
OUTER PIPE .....	9
GEARCASE / CUTTER .....	10 - 11
THROTTLE LEVER .....	12
TOOL SET .....	13

[www.shindaiwa.com](http://www.shindaiwa.com)

11975 SW Herman Road

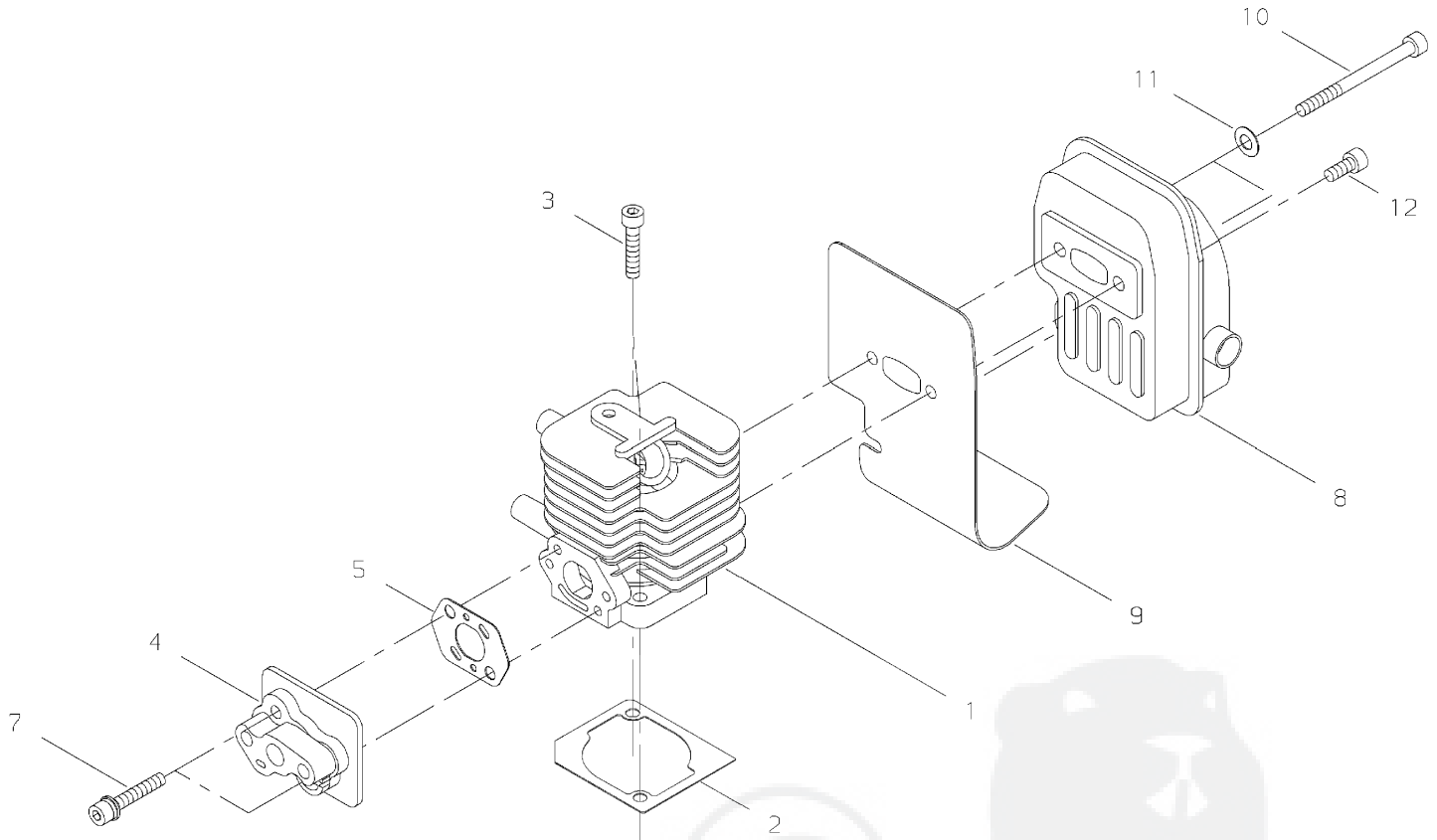
Tualatin, Oregon 97062, U.S.A.

1 + 503.692.3070 • fax 1 + 503.692.6696 •

**shindaiwa**

## CYLINDER / MUFFLER

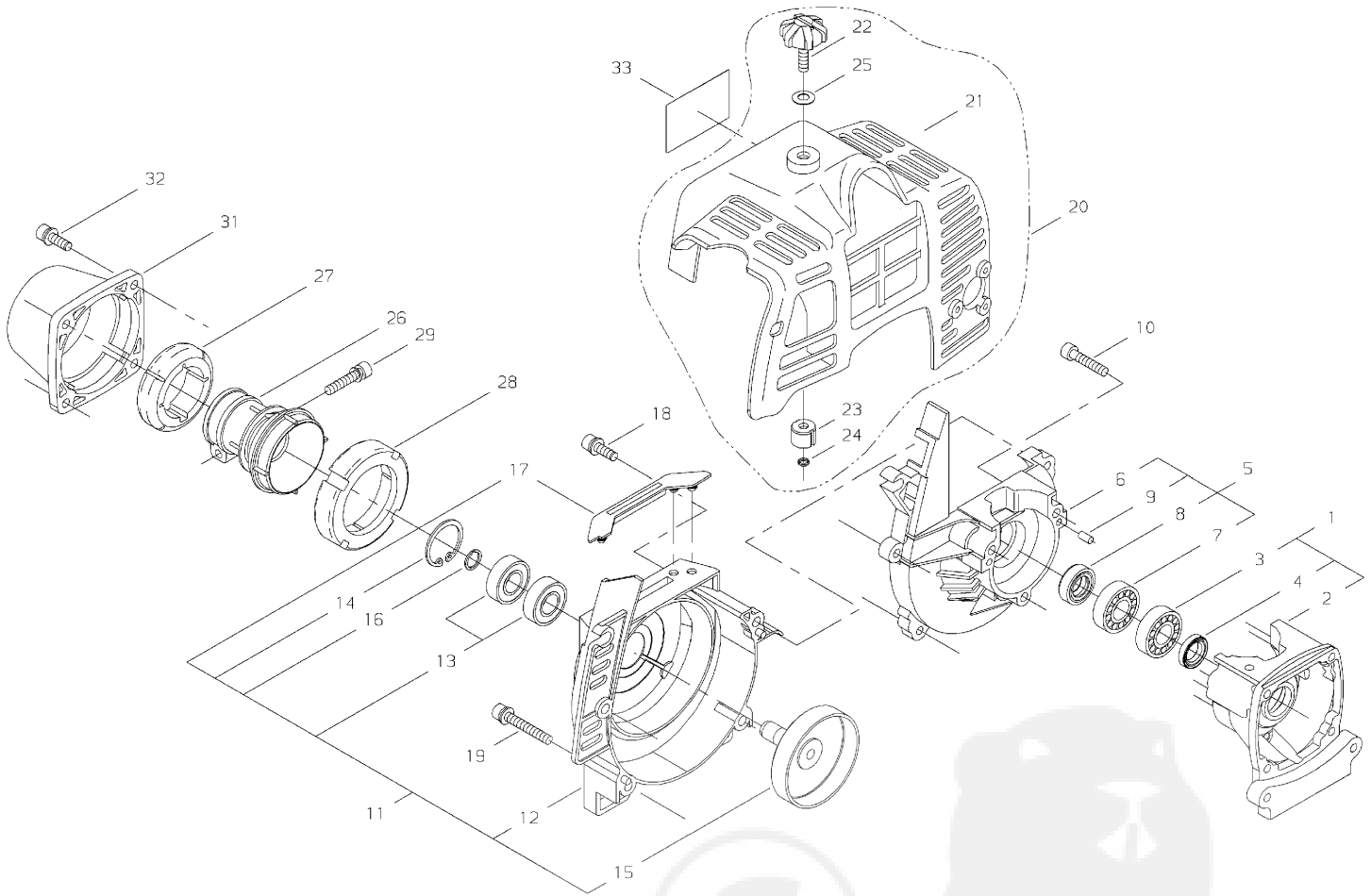
ILLUSTRATION 1 - REV 9/05



Ref. No	Part No.	Part Name	Q'ty
1-1	62809-12111	CYLINDER	1
2	20016-12120	GASKET	1
3	01020-05250	BOLT	2
4	20016-12213	INSULATOR	1
5	20016-12222	GASKET	1
7	11022-05300	BOLT SW	2
8	70135-15110	MUFFLER	1
9	20016-15123	GASKET	1
10	01020-05500	BOLT	2
11	01610-05080	WASHER	2
12	01020-05120	BOLT	1

CRANKCASE / FAN COVER / CYLINDER COVER

ILLUSTRATION 2 - REV 9/05



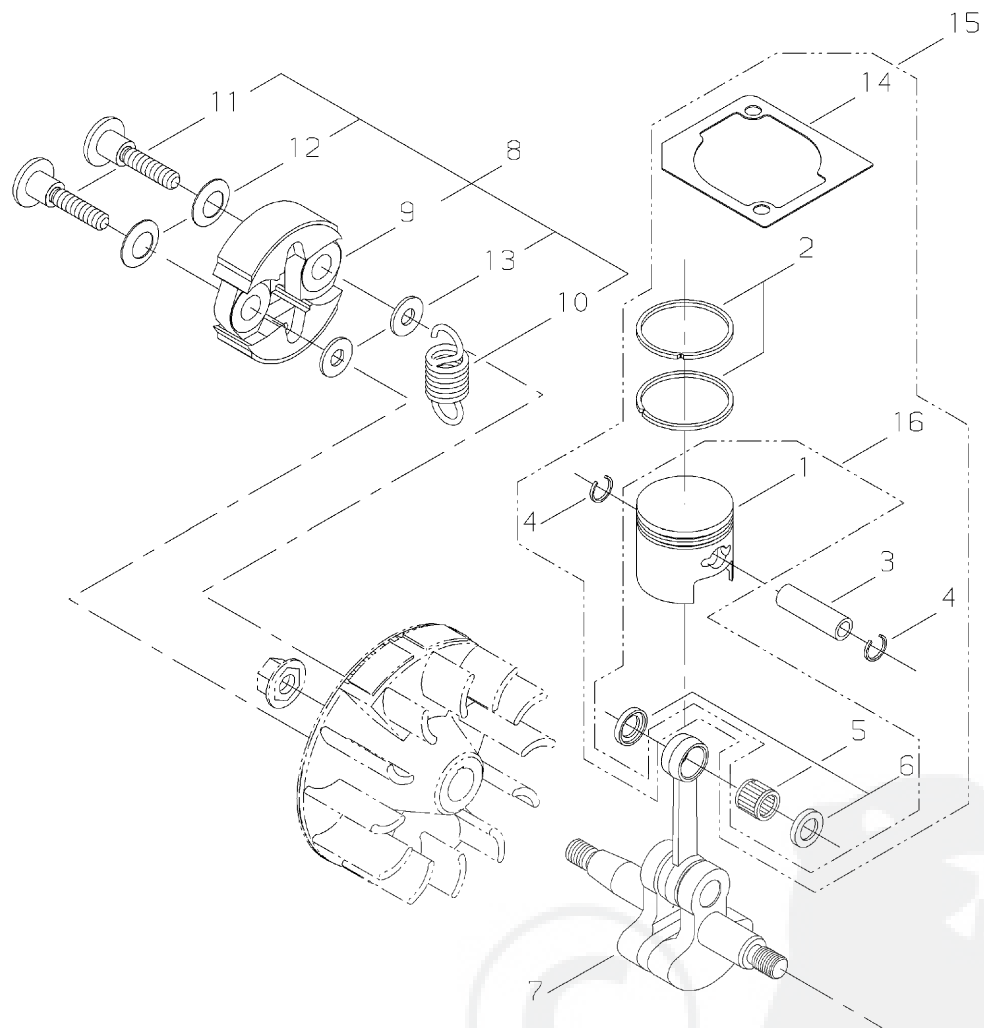
Ref. No	Part No.	Part Name	Q'ty
2-1	20016-21100	CRANKCASE S COMP.	1
2	20016-21111	*CRANKCASE S	1
3	12900-60010	*BEARING	1
4	22150-21250	*OIL SEAL	1
5	20016-21200	CRANKCASE M COMP.	1
6	20016-21120	*CRANKCASE M	1
7	12900-60010	*BEARING	1
8	20000-21211	*OIL SEAL	1
9	12492-40080	*ROLLER	2
10	01020-05250	BOLT	3
11	62010-31011	FAN COVER COMP.	1
12	70140-31113	*FAN COVER	1
13	02002-06000	*BEARING	2
14	02432-26120	*SNAP RING	1
15	20087-31210	*CLUTCH DRUM	1
16	22000-13320	*SNAP RING	1

Ref. No	Part No.	Part Name	Q'ty
17	70140-31130	*CUSHION	1
18	11022-05160	BOLT SPW	2
19	11022-05450	BOLT SPW	2
20	62010-32010	CYLINDER COVER ASSEMBLY	1
21	70140-32111	*CYLINDER COVER	1
22	20018-31251	*KNOB	1
23	20018-31260	*INSULATOR	1
24	20018-31270	*CLIP	1
25	20024-81790	*CONE WASHER	1
26	20018-31411	JOINT	1
27	20018-31420	FRONT CUSHION	1
28	20018-31430	REAR CUSHION	1
29	11023-05250	BOLT SW	1
31	70135-31470	CAP	1
32	11022-05160	BOLT SPW	4
33	62850-91320	LABEL TRADE	1

\* Denotes item is part of an assembly \*\* Denotes item is part of a sub-assembly

## PISTON / CRANKSHAFT / CLUTCH SHOE

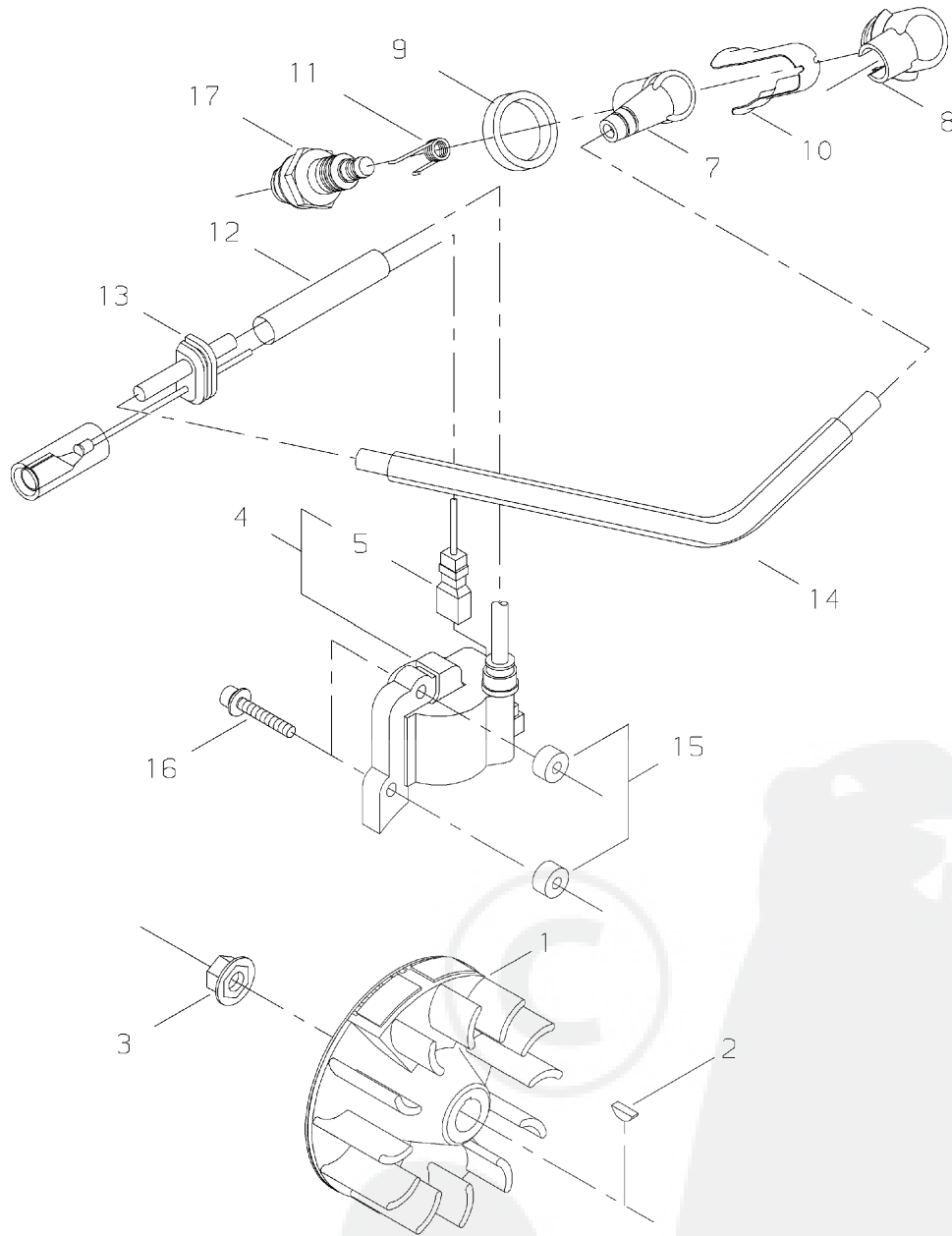
ILLUSTRATION 3 - REV 9/05



Ref. No	Part No.	Part Name	Q'ty
3-15	70234-98011	PISTON SET	1
16	70234-98310	*PISTON SET	1
1	20075-41111	**PISTON	1
5	37013-41230	**NEEDLE BEARING	1
6	37013-41240	**THRUST WASHER	2
2	20000-41210	*PISTON RING	2
3	20016-41310	*PISTON PIN	1
4	70030-41320	*SNAP RING	2
14	20016-12120	*GASKET	1
7	20016-42002	CRANKSHAFT ASSEMBLY	1
8	70140-51102	CLUTCH SHOE ASSEMBLY	1
9	70140-51113	*CLUTCH SHOE	2
10	37013-51310	*COIL SPRING	1
11	20087-51210	*BOLT	2
12	20087-51231	*SPRING PLATE	2
13	22100-71430	*WASHER	2

**ROTOR / COIL ASSEMBLY**

ILLUSTRATION 4 - REV 9/05



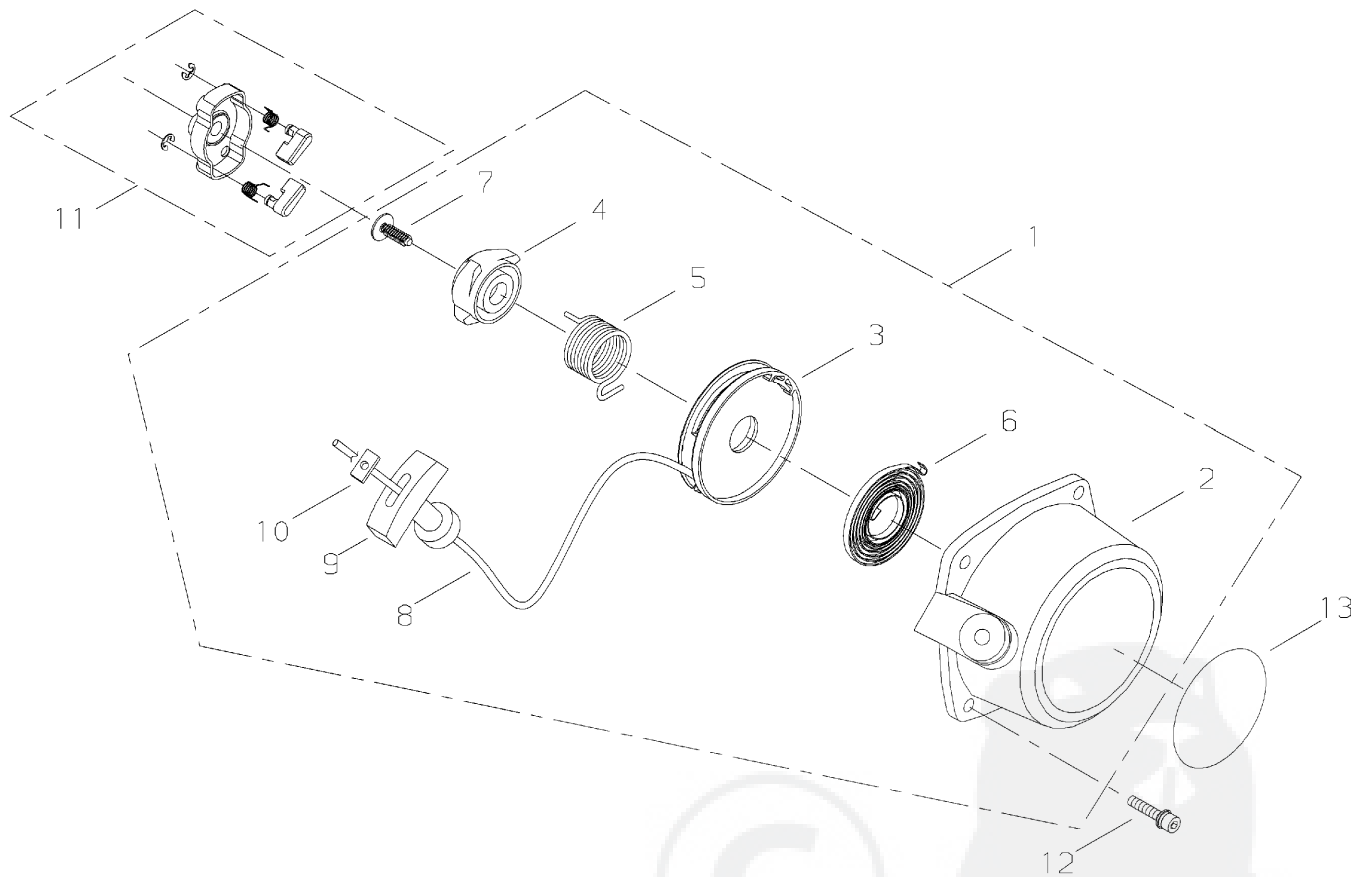
Ref. No	Part No.	Part Name	Q'ty
4-1	20016-71200	ROTOR	1
2	02403-03100	KEY	1
3	20035-71220	NUT	1
4	20016-71601	COIL ASSEMBLY	1
5	20016-71641	*CORD	1
7	20010-72221	PLUG CAP	1
8	20000-72241	PLUG CAP COVER	1
9	20000-72250	COVER BAND	1

Ref. No	Part No.	Part Name	Q'ty
10	70180-72260	SHIELD	1
11	20000-72230	SPRING SPARK PLUG	1
12	20016-71651	TUBE	1
13	20010-72110	GROMMET	1
14	20016-71660	TUBE	1
15	70030-71620	INSULATOR	2
16	11024-04261	BOLT SLPW	2
17	13000-13406	SPARK PLUG BMR6A	1

\* Denotes item is part of an assembly \*\* Denotes item is part of a sub-assembly

## RECOIL STARTER

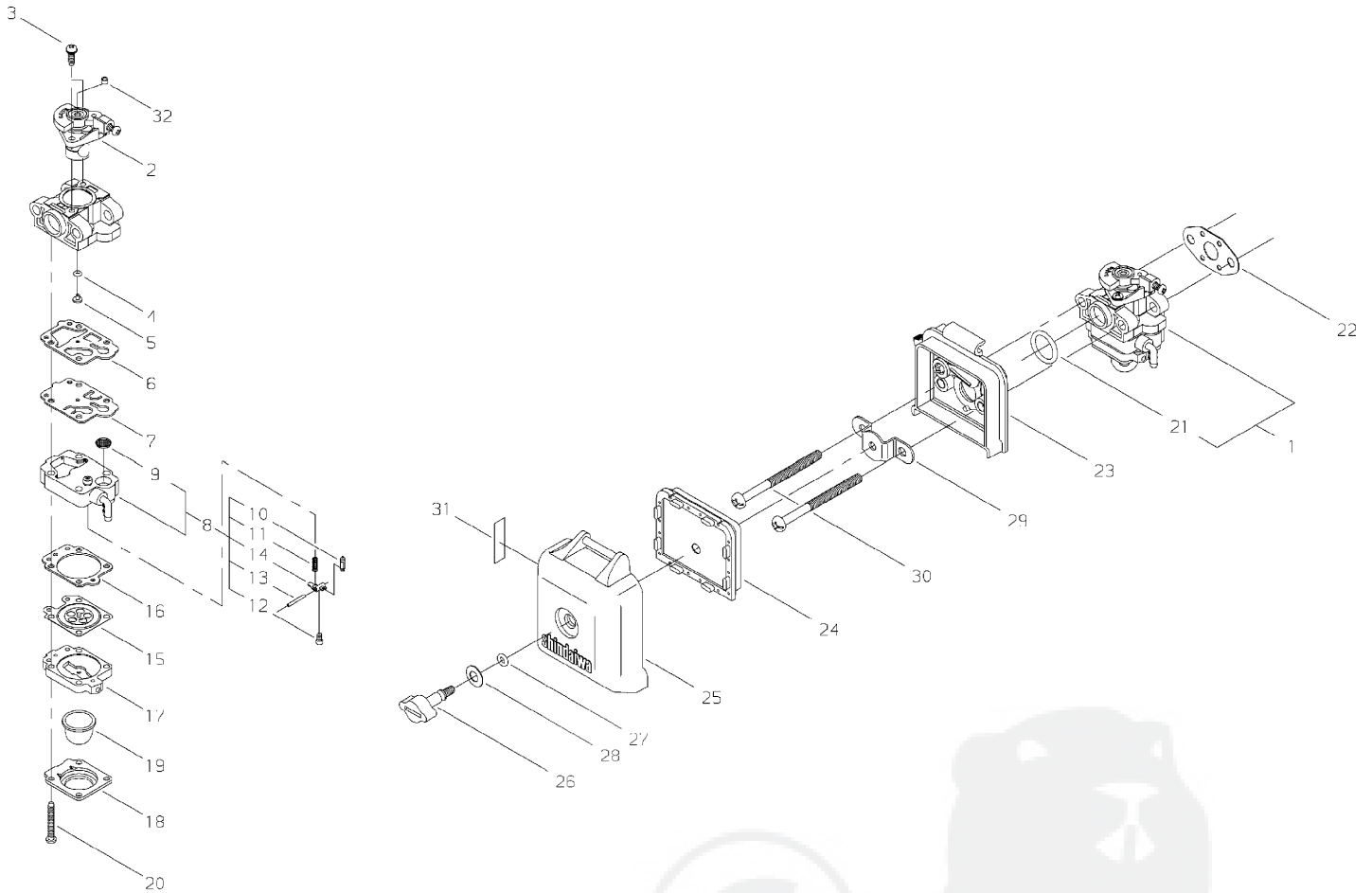
ILLUSTRATION 5 - REV 9/05



Ref. No	Part No.	Part Name	Q'ty
5-1	37076-75010	RECOIL STARTER ASSEMBLY	1
2	37076-75110	*STARTER CASE	1
3	37076-75120	*REEL	1
4	37076-75310	*CAM	1
5	37076-75320	*COIL SPRING	1
6	70030-75130	*RECOIL SPRING	1
7	37013-75310	*SCREW	1
8	37076-75140	*ROPE	1
9	20010-75190	*STARTER KNOB	1
10	20010-75210	*STOPPER	1
11	62110-75020	STARTER PULLEY ASSEMBLY	1
12	11060-04122	BOLT ADHESIVE	4
13	70117-75311	NAME PLATE	1

CARBURETOR / CLEANER

ILLUSTRATION 6 - REV 9/05



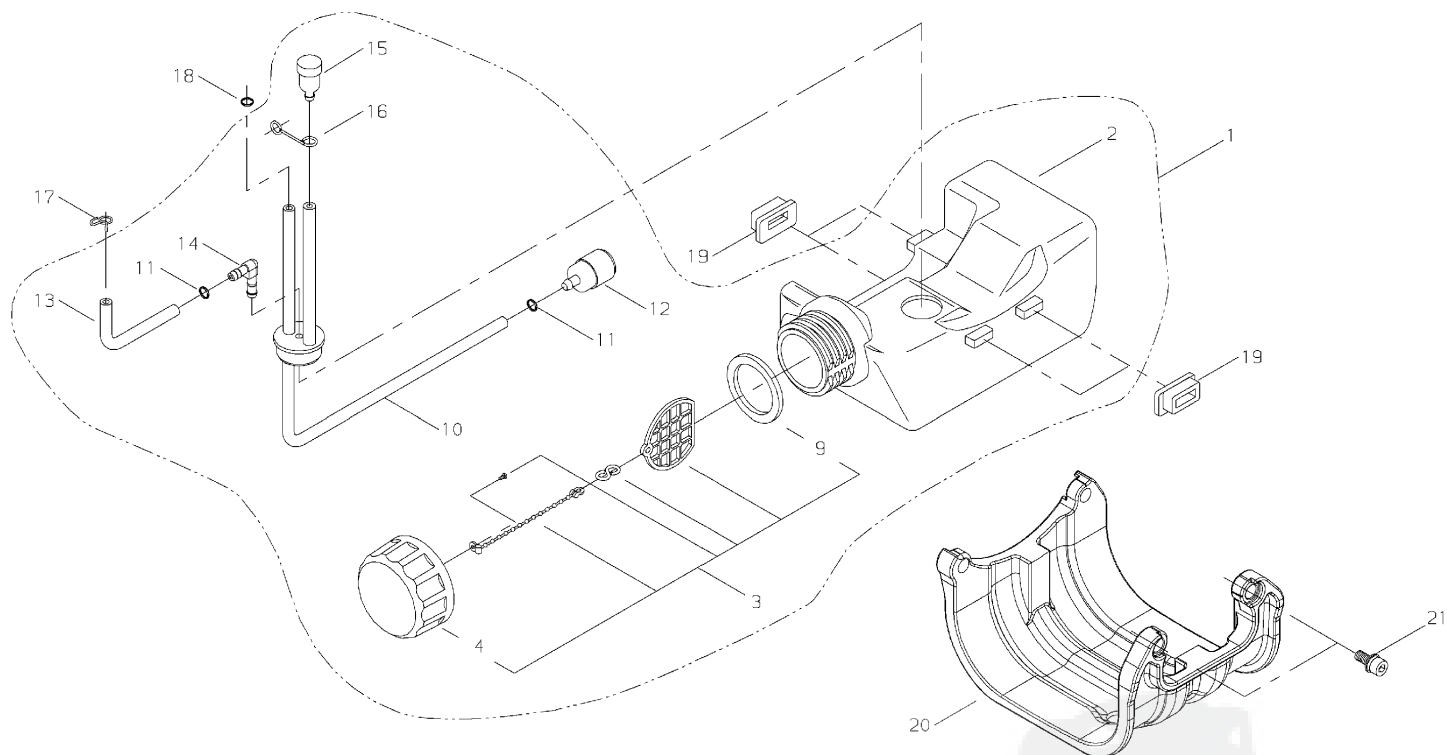
Ref. No	Part No.	Part Name	Q'ty
6-1	62064-81011	CARBURETOR ASSEMBLY	1
2	20016-81180	*VALVE ASSEMBLY	1
3	70064-81290	*SCREW	2
4	70097-81220	*O RING	1
5	62064-81310	*MAIN JET	1
6	70097-81310	*GASKET PUMP	1
7	70097-81320	*DIAPHRAGM	1
8	20016-81410	*PUMP BODY COMP.	1
9	70030-81380	**SCREEN	1
10	20036-81440	**NEEDLE VALVE	1
11	20016-81270	**SPRING	1
12	20016-81450	**SCREW	1
13	22100-81250	**PIN	1
14	22100-81230	**LEVER	1
15	37013-81310	*DIAPHRAGM	1
16	20016-81280	*GASKET	1

Ref. No	Part No.	Part Name	Q'ty
17	20016-81420	*PUMP BASE COMP	1
18	20016-81510	*PUMP COVER	1
19	20036-81670	*PRIMER PUMP	1
20	20016-81140	*SCREW	4
21	20016-81250	*O RING	1
22	20016-81530	GASKET	1
23	70140-81710	CLEANER BODY COMP	1
24	60023-98031	FILTER	1
25	70140-81760	CLEANER COVER	1
26	20115-81780	KNOB CLEANER COVER	1
27	22100-82430	O RING	1
28	20024-81790	CONE WASHER	1
29	20018-81721	BACK PLATE	1
30	11203-05608	SCREW PMSW	2
31	19404-00008	LABEL CHOKE	1

\* Denotes item is part of an assembly \*\* Denotes item is part of a sub-assembly

## FUEL TANK

ILLUSTRATION 7 - REV 9/05

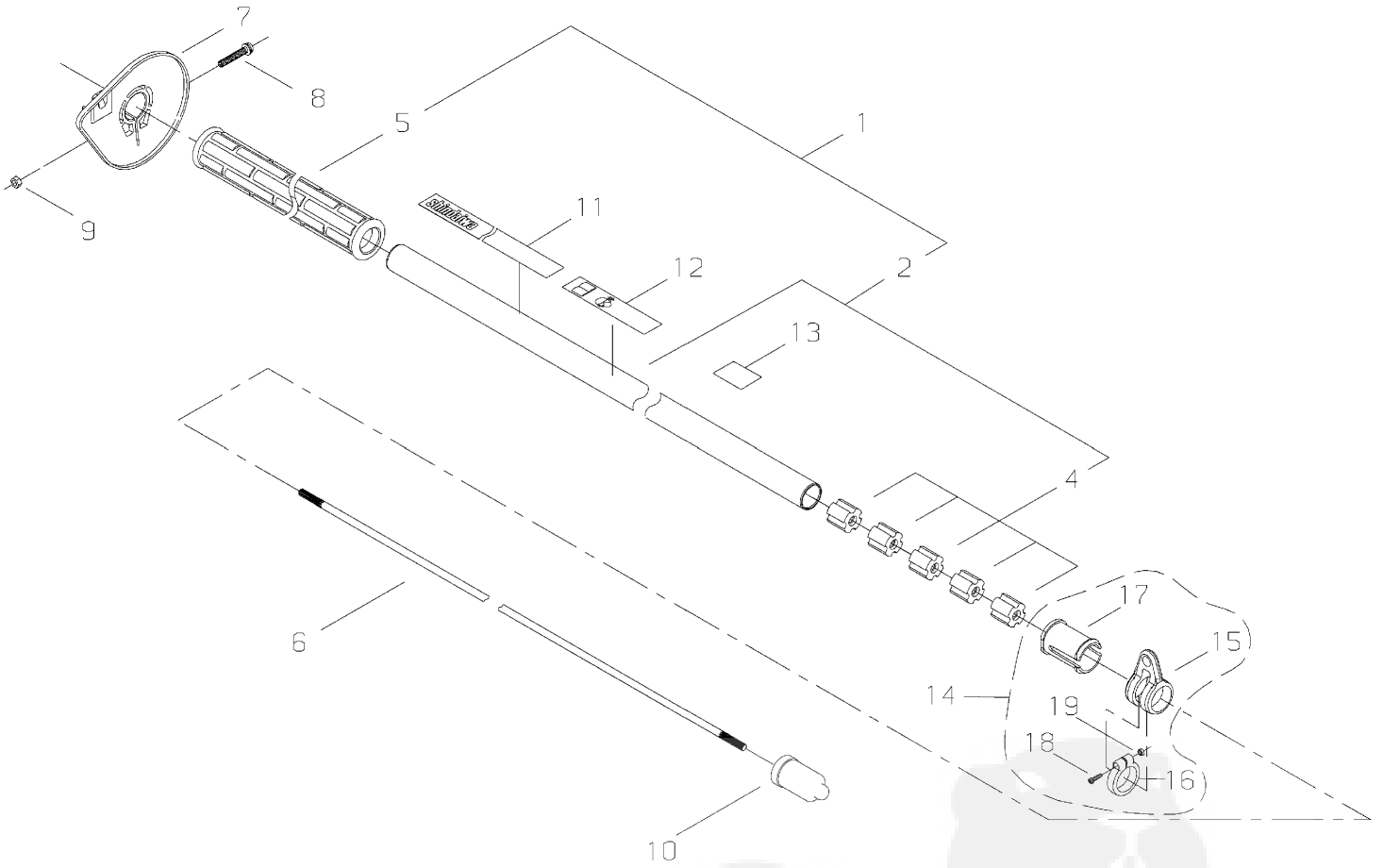


Ref. No	Part No.	Part Name	Q'ty
7- 1	70192-85001	FUEL TANK ASSEMBLY	1
2	20016-85112	*FUEL TANK	1
3	70168-85201	*FUEL CAP ASSEMBLY	1
4	70168-85210	**FUEL CAP	1
9	20000-85221	**GASKET	1
10	20016-85310	*FUEL PIPE	1
11	20020-85540	*CLIP	2
12	20016-85400	*FUEL FILTER	1
13	20089-83311	*PIPE	1
14	20087-85340	*JOINT	1
15	20035-85522	*VALVE	1
16	20016-12310	*VALVE HOLDER	1
17	37013-85310	CLIP	1
18	20020-85540	CLIP	1
19	20024-86120	TANK CUSHION	4
20	62902-85320	TANK GUARD	1
21	11022-05180	BOLT SPW	2



**OUTER PIPE**

ILLUSTRATION 8 - REV 9/05

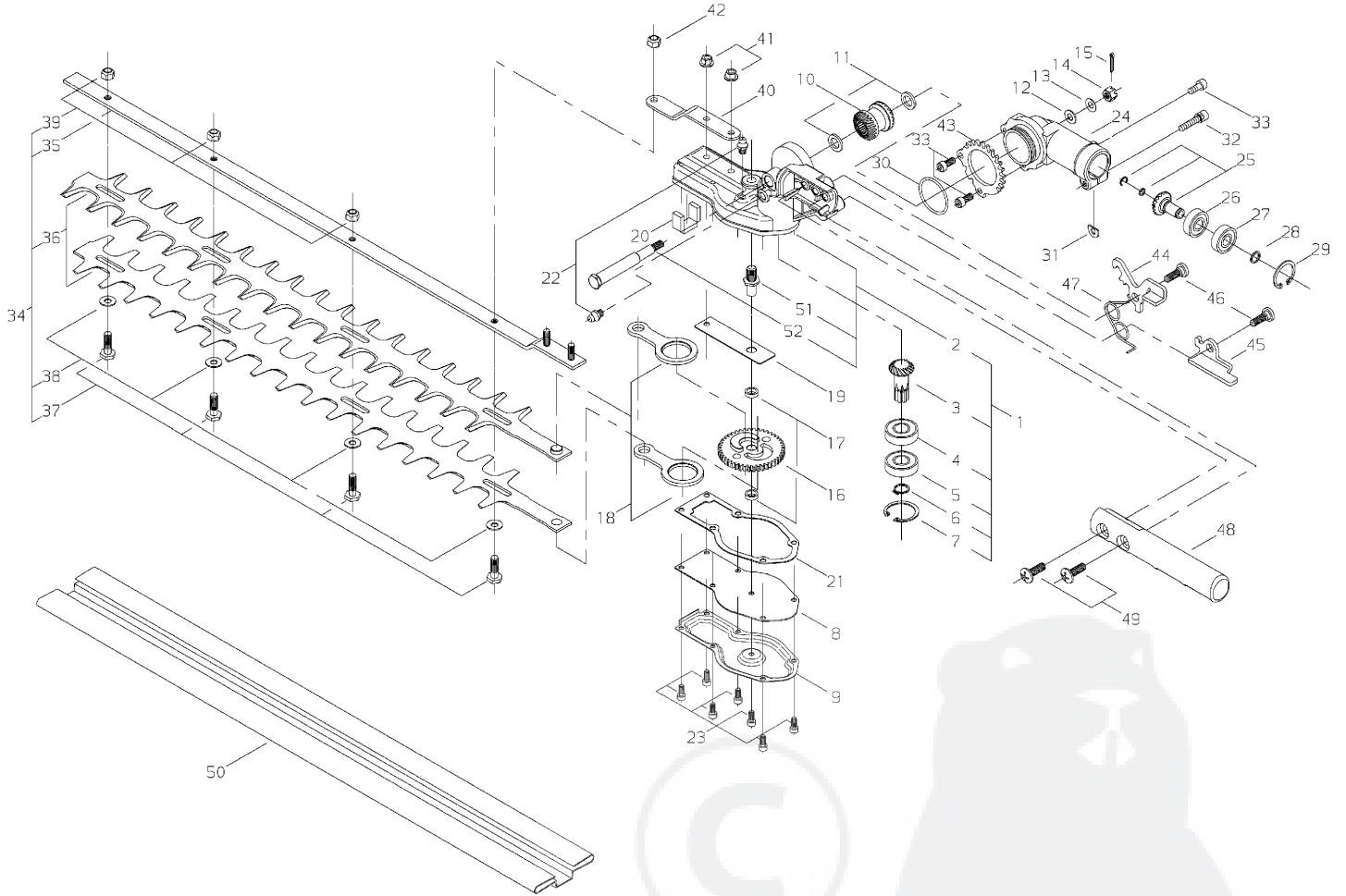


Ref. No	Part No.	Part Name	Q'ty
8-1	63840-64312	OUTER PIPE COMP.	1
2	80022	*OUTER PIPE COMP: Available from U.S. only	1
4	22035-12120	**BUSH	5
5	63840-64331	*GRIP	1
6	22070-12410	MAIN SHAFT	1
7	63840-64340	PROTECTOR	1
8	11207-05300	SCREW PMSLPW	1
9	01500-05041	NUT	1
10	20891-98180	LINER CAP	1
11	19420-00084	LABEL TRADE	1
12	19402-00225	LABEL CAUTION	1
13	19404-00033	LABEL DECIBEL	1
14	33008-62340	HANGER ASSEMBLY	1
15	33008-62151	*HANGER	1
16	33008-62311	*CLAMP	1
17	33008-62321	*COLLAR	1
18	11203-04160	*SCREW PM	1
19	01500-04031	*NUT	1

\* Denotes item is part of an assembly \*\* Denotes item is part of a sub-assembly

## GEARCASE / CUTTER

ILLUSTRATION 9 - REV 9/05



## GEARCASE / CUTTER

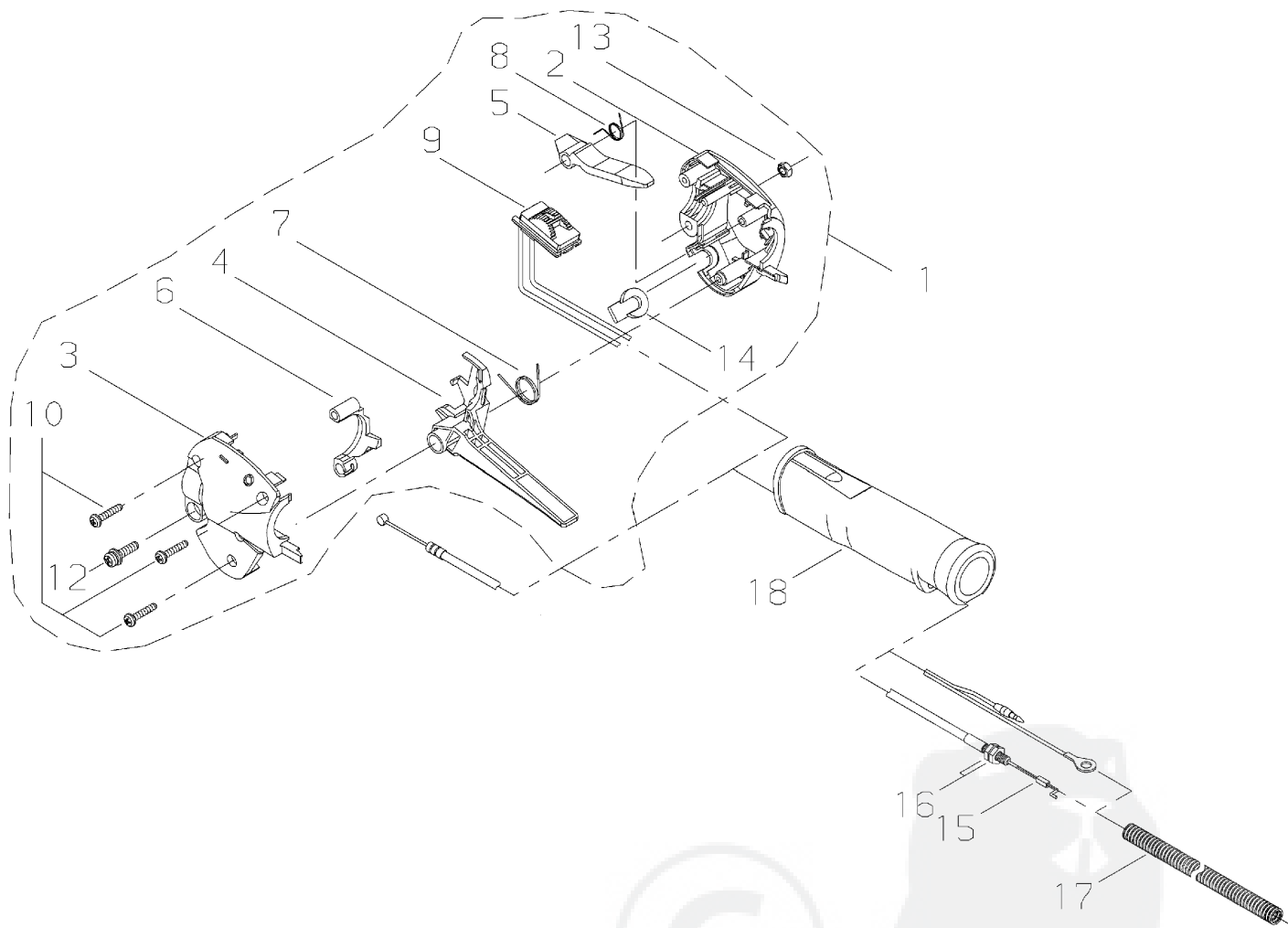
ILLUSTRATION 9 - REV 9/05

Ref. No	Part No.	Part Name	Q'ty
9-1	63840-61011	GEARCASE COMP.	1
2	63840-61111	*GEARCASE	1
51	68120-61320	**MAIN SHAFT	1
52	63840-61320	**SHAFT	1
3	63840-61330	*PINION SHAFT	1
4	37074-63310	*BEARING	1
5	02002-06001	*BEARING	1
6	02430-12100	*SNAP RING	1
7	02432-28120	*SNAP RING	1
8	68120-61120	CASE COVER	1
9	63840-61340	COVER	1
10	63840-61350	BEVEL GEAR	1
11	15401-11010	COLLAR	2
12	01613-06100	WASHER	1
13	20024-81790	CONE WASHER	1
14	63840-61370	NUT	1
15	02421-16150	PIN	1
16	68120-61130	CAM GEAR	1
17	15401-10025	COLLAR	2
18	68120-61170	ROD	2
19	68120-61331	PLATE	1
20	68120-61340	PACKING	1
21	68120-61351	GASKET	1
22	20870-61640	GREASE NIPPLE	2
23	01020-04100	BOLT	7
24	63840-63310	GEARCASE UPPER	1

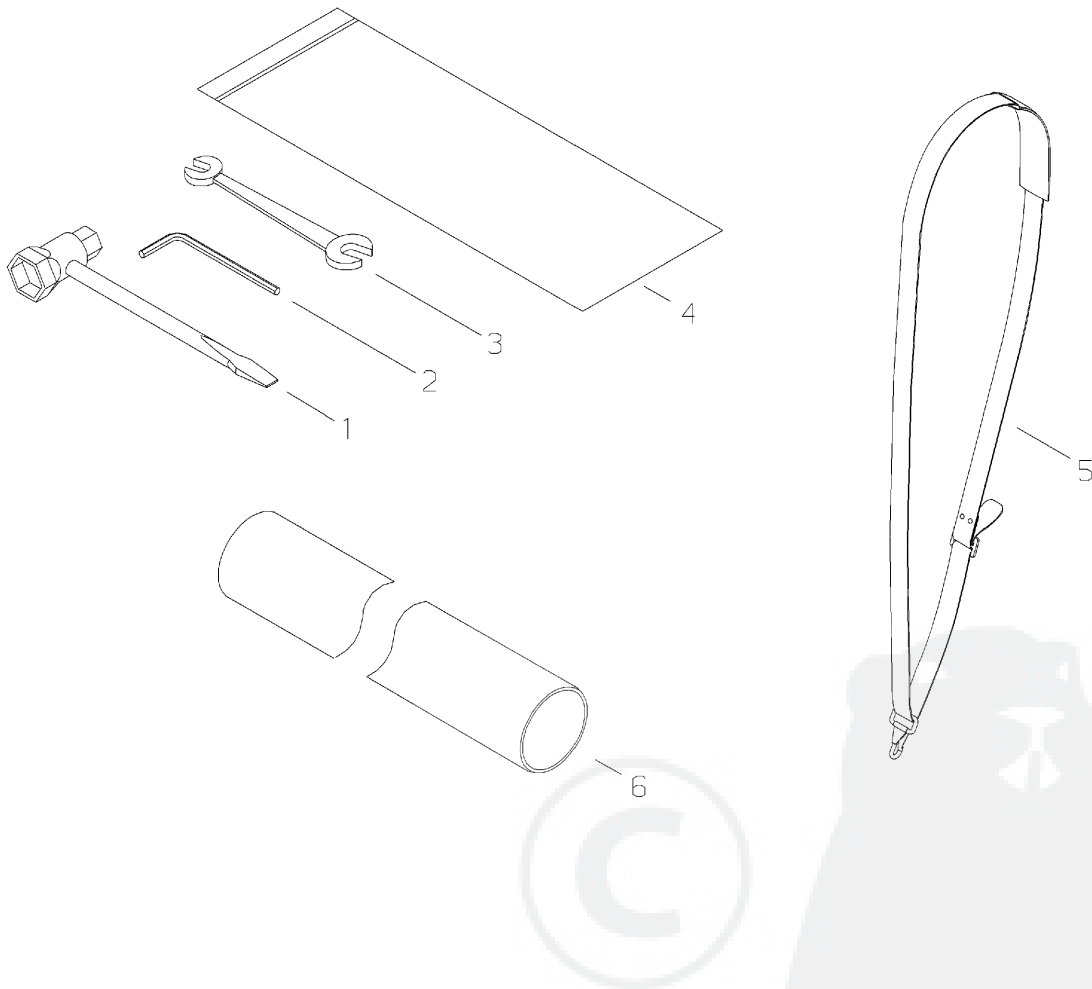
Ref. No	Part No.	Part Name	Q'ty
25	63840-63320	BEVEL PINION	1
26	02000-00609	BEARING	1
27	02002-00609	BEARING	1
28	22420-13350	SNAP RING	1
29	02432-24120	SNAP RING	1
30	02304-03150	O RING	1
31	22000-13420	SHIM	1
32	11023-05250	BOLT SW	1
33	01020-05120	BOLT	3
34	38121-62010	CUTTER ASSEMBLY	1
35	18501-50000	*GUIDE BAR	1
36	18500-50102	*BLADE	2
37	20870-62110	*BOLT	4
38	20870-62131	*WASHER	4
39	22011-97840	*LOCK NUT	3
40	68120-62331	HOLDER	1
41	11526-05212	FLANGE NUT	2
42	22011-97840	LOCK NUT	1
43	63840-66310	ADJUST PLATE	1
44	63840-66320	LOCK LEVER	1
45	63840-66330	SAFETY LEVER	1
46	22106-71441	PIN RATCHET	2
47	17520-18601	COIL SPRING	1
48	63840-66350	HANDLE	1
49	01215-06208	SCREW TRUSS	2
50	19601-01506	BLADE COVER	1

## THROTTLE LEVER

ILLUSTRATION 10 - REV 9/05



Ref. No	Part No.	Part Name	Q'ty
10- 1	63002-62161	THROTTLE LEVER ASSEMBLY	1
2	63002-62320	*BODY RIGHT	1
3	63002-62330	*BODY LEFT	1
4	63002-62340	*LEVER	1
5	63901-62352	*LOCK LEVER	1
6	63002-62350	*HOLDER	1
7	63880-65350	*COIL SPRING	1
8	63901-62370	*COIL SPRING	1
9	63002-62360	*SWITCH	1
10	63880-65360	*SCREW TAPPING	3
12	11206-05201	*SCREW PMSPW	1
13	01501-05030	*NUT	1
14	63880-65411	*PLUG	1
15	63023-62170	THROTTLE CABLE	1
16	01501-06041	NUT	2
17	22422-14540	TUBE	1
18	63901-62140	GRIP	1



Ref. No	Part No.	Part Name	Q'ty
11- 1	22150-91410	PLUG WRENCH	1
2	09026-04001	HEXA WRENCH 5MM	1
3	22000-91120	SPANNER	1
4	19639-01100	POLY BAG	1
5	22421-17202	STRAP ASSEMBLY	1
6	60880-98050	COLLAR	1

\* Denotes item is part of an assembly \*\* Denotes item is part of a sub-assembly



**shindaiwa**

[www.shindaiwa.com](http://www.shindaiwa.com)

11975 SW Herman Road, Tualatin, Oregon 97062, U.S.A.

1 + 503.692.3070 • fax 1 + 503.692.6696 •

Item #xxxx Effective 09/05