

731SX

Serial Number

38000001-38999999

Last updated date

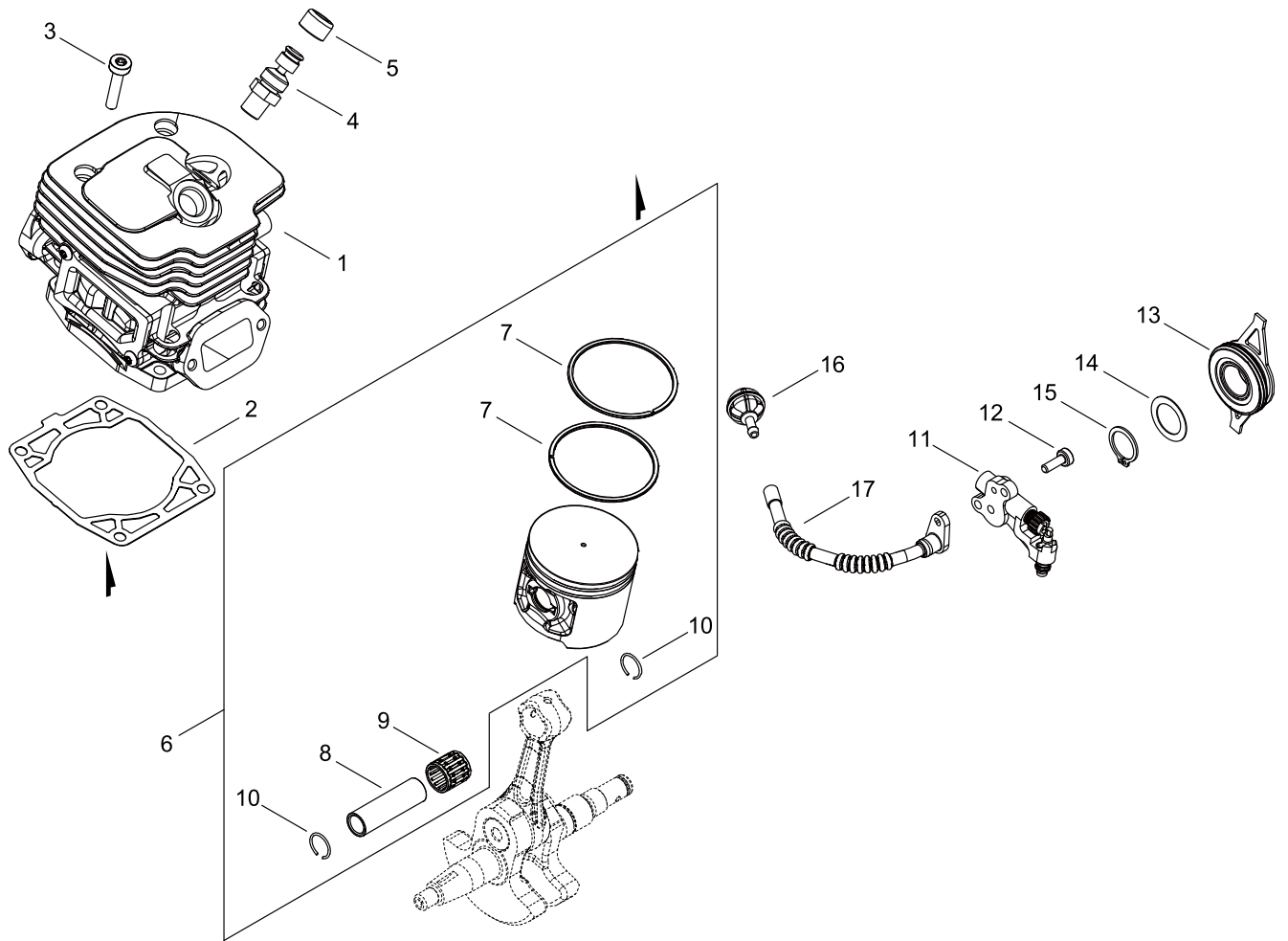
18/Nov/2021

## TABLE OF CONTENTS

---

CYLINDER, PISTON .....	1
CRANKCASE .....	3
MAGNETO.....	5
AIR CLEANER, CARBURETOR.....	7
CARBURETOR.....	9
MUFFLER.....	11
RECOIL STARTER.....	13
HANDLE.....	15
CHAIN BRAKE.....	19
ACCESSORIES .....	21
GUIDE BAR, CHAIN.....	23

# CYLINDER, PISTON



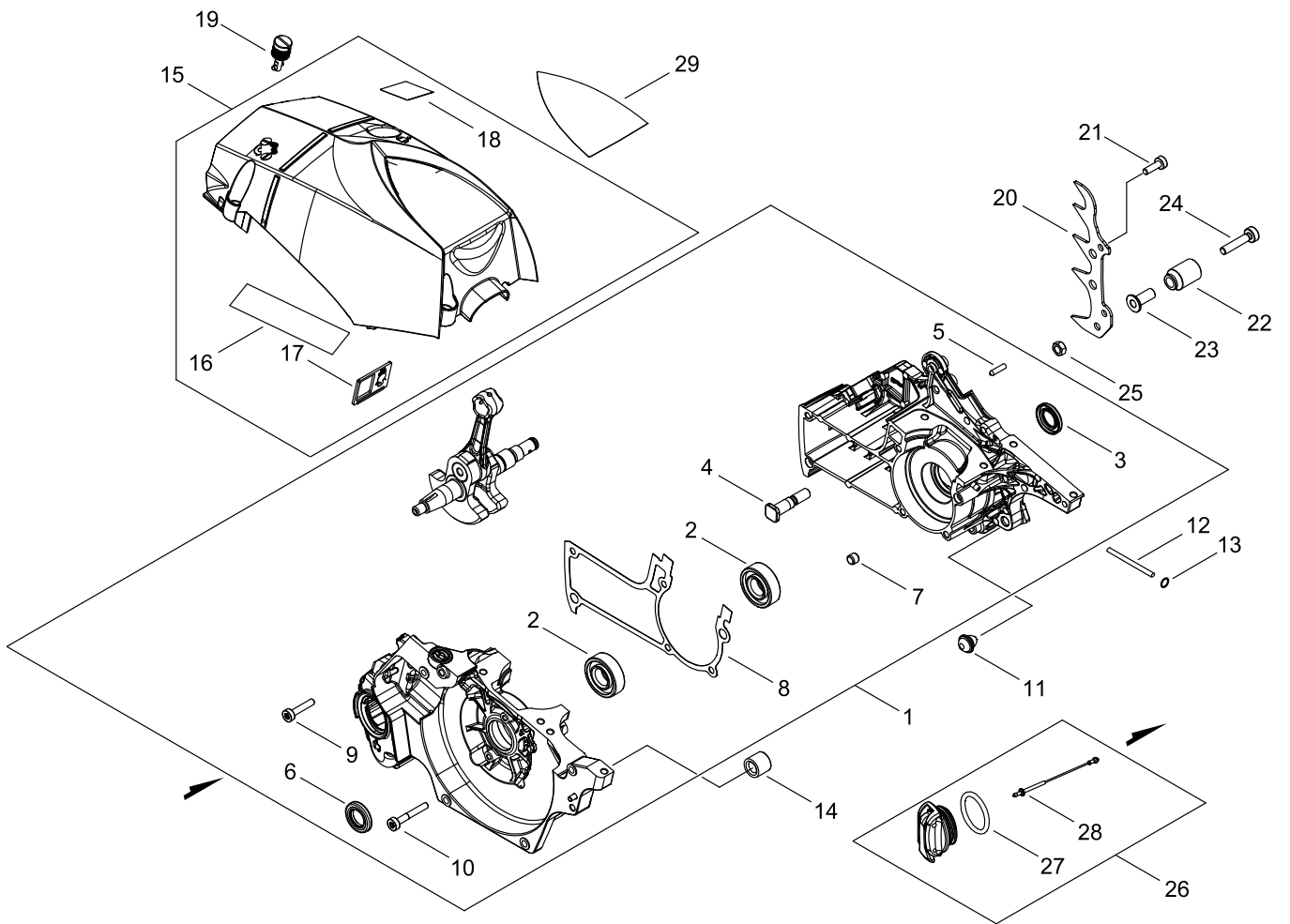
## CYLINDER, PISTON

Key No.	LV (+)	Parts Number	Parts Description	Qty	Standard	Class
1		P100-009400	CYLINDER ASY	1		
2		V100-000900	GASKET,CYL	1	T:0.5	B
3		V805-000220	BOLT, TORX 5	4	TB-5*25 12.9	C
4		A014-000130	RELEASE ASY., COMP.	1		B
5		V141-000090	GROMMET,PLUG	1		B
6		P100-009410	PISTON KIT	1		
7	+	A101-000790	RING, PISTON	2	51*1.2*2.1	B
8	+	V610-000040	PIN,ENG 12	1	12*9*39.8	D
9	+	V557-000080	BEARING,NEEDLE 12	1	12*15*14.8/15	C
10	+	V580-000000	RING,END	2		C
11		C022-000220	AUTO-OILER ASSEMBLY	1	ZP05	C
12		V804-000050	BOLT, TORX 4	2	TB-4*12 10.9	C
13		V652-000300	GEAR,WORM	1		B
14		V311-000090	WASHER,CIRCULAR 16-1	1	15.5*22.5*0.5	C
15		900701-00015	RETAINING RING	1	CS-15	
16		436205-14730	STRAINER, OIL	1		B
17		V470-002370	PIPE	1		C

Class : Consumable class

A:Fast moving parts B:Semi-fast moving parts C:Slow moving parts D:Order only as needed

# CRANKCASE



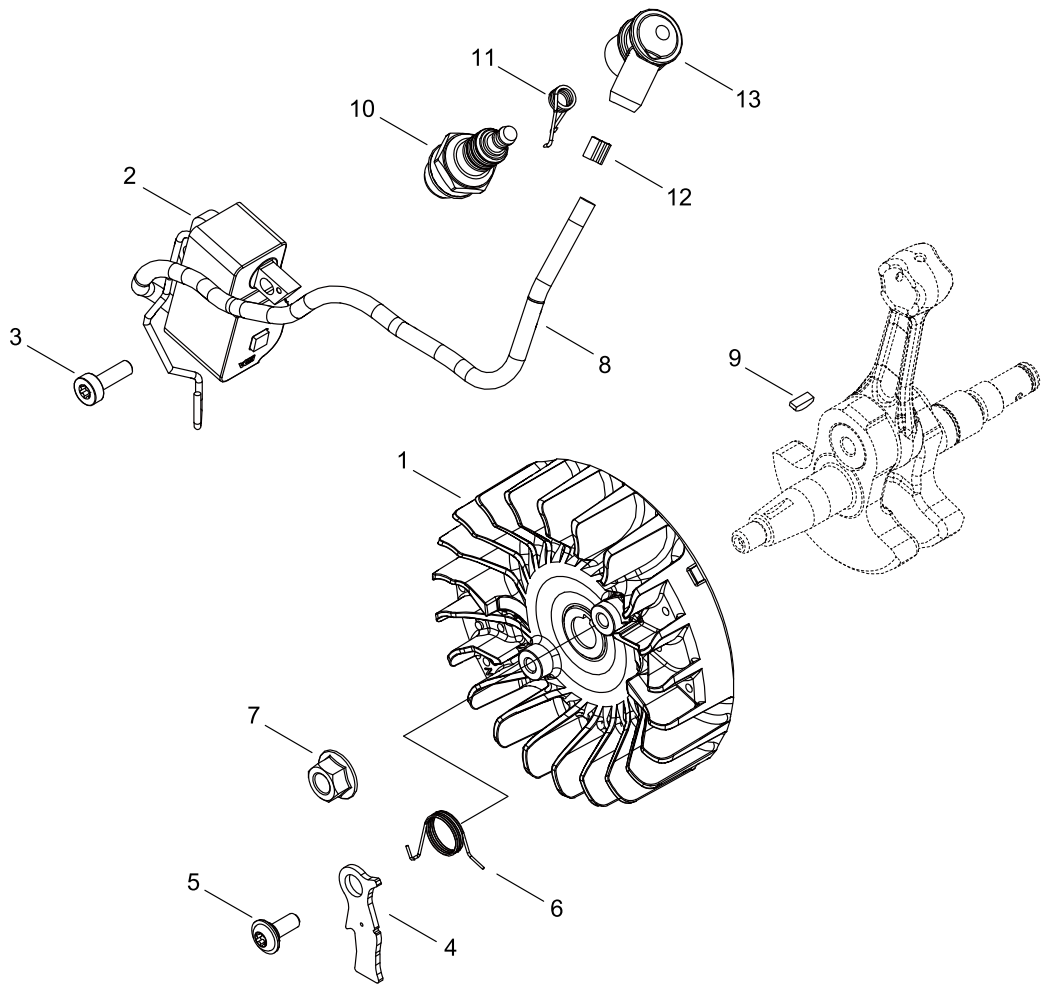
## CRANKCASE

Key No.	LV (+)	Parts Number	Parts Description	Qty	Standard	Class
1		P100-010270	CRANKCASE ASY	1		B
2	+	94036-46202	BEARING, BALL	2	6202	
3	+	V508-000140	SEAL,OIL 15	1	15*26*4.4	C
4	+	V225-000380	BOLT,STUD 8	2		C
5	+	A356-000120	ELEMENT	1		B
6	+	V508-000140	SEAL,OIL 15	1	15*26*4.4	C
7	+	101522-16430	PIN, DOWEL	2		C
8	+	V102-000350	GASKET,CRANKCASE	1		B
9	+	V805-000220	BOLT, TORX 5	2	TB-5*25 12.9	C
10	+	V805-000290	BOLT, TORX 5	4	TB-5*35 12.9	C
11		V420-005590	CUSHION	1		B
12		V470-002420	PIPE	1	3*6(8)*130	C
13		V490-000500	CLIP	1		C
14		V420-005600	CUSHION	1		B
15		P100-010300	CYLINDER COVER ASY	1		C
16	+	X562-000870	LABEL,SHINDAIWA	1		D
17	+	A219-000040	SHUTTER,AIR	1		C
18	+	890345-39231	LABEL,CAUTION	1		D
19		V641-000270	PIN,SNAP	3		C
20		C304-000350	SPIKED	1		C
21		V805-000250	BOLT, TORX 5	2	TB-5*16 12.9	C
22		C310-000030	CATCHER,CHAIN	1		B
23		V354-000650	COLLAR,6	1		C
24		V856-000010	BOLT,TORX 6	1	12.9	C
25		900560-00006	NUT, LOCK	1	6	
26		P100-008410	CAP,OIL ASY	1		
27	+	900720-20029	O-RING	1	P-29	
28	+	A365-000150	CONNECTOR,CAP	1		B
29		X562-001750	LABEL,SHINDAIWA	1	731SX	D

Class : Consumable class

A:Fast moving parts B:Semi-fast moving parts C:Slow moving parts D:Order only as needed

# MAGNETO



## MAGNETO

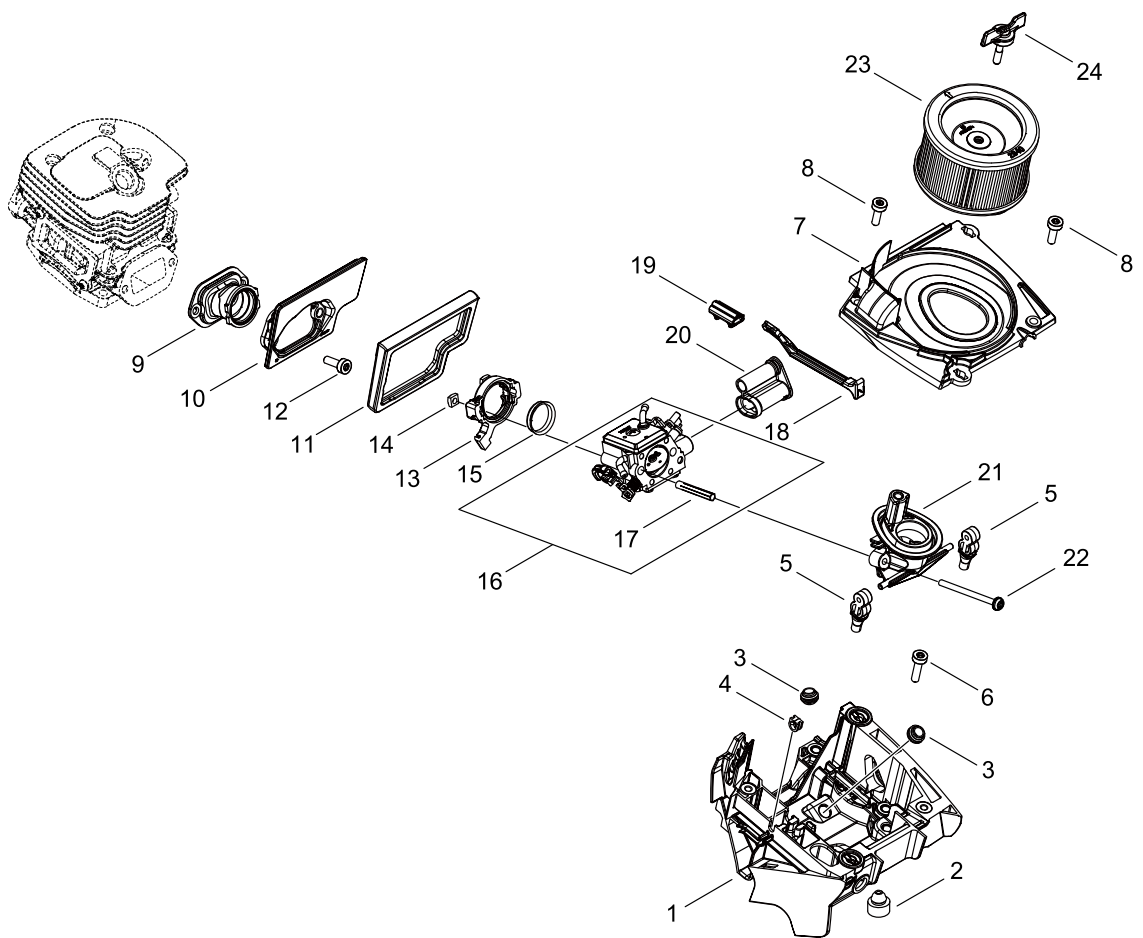
Key No.	LV (+)	Parts Number	Parts Description	Qty	Standard	Class
1		A409-001420	ROTOR, MAGNETO	1	AG12	C
2		A411-001950	COIL, IGNITION	1		C
3		V805-000150	BOLT, TORX 5	2	TB-5*16 10.9	C
4		A514-000350	PAWL	2		C
5		V203-002250	BOLT,5	2		C
6		V452-001950	SPRING,TORSION	2		B
7		900515-00008	NUT, FLANGE	1	8	
8		V475-009560	TUBE	1	SSG-1 6*7.2*290	C
9		100142-30830	KEY, WOODRUFF	1		C
10		A425-000080	SPARKPLUG	1	BPMR8Y-5	A
11		A426-000050	SPRING SPARK PLUG	1		C
12		V495-003900	BAND	1	560700	C
13		A427-000190	CAP,SPARK PLUG	1		C

Class : Consumable class

A:Fast moving parts B:Semi-fast moving parts C:Slow moving parts D:Order only as needed



# AIR CLEANER, CARBURETOR



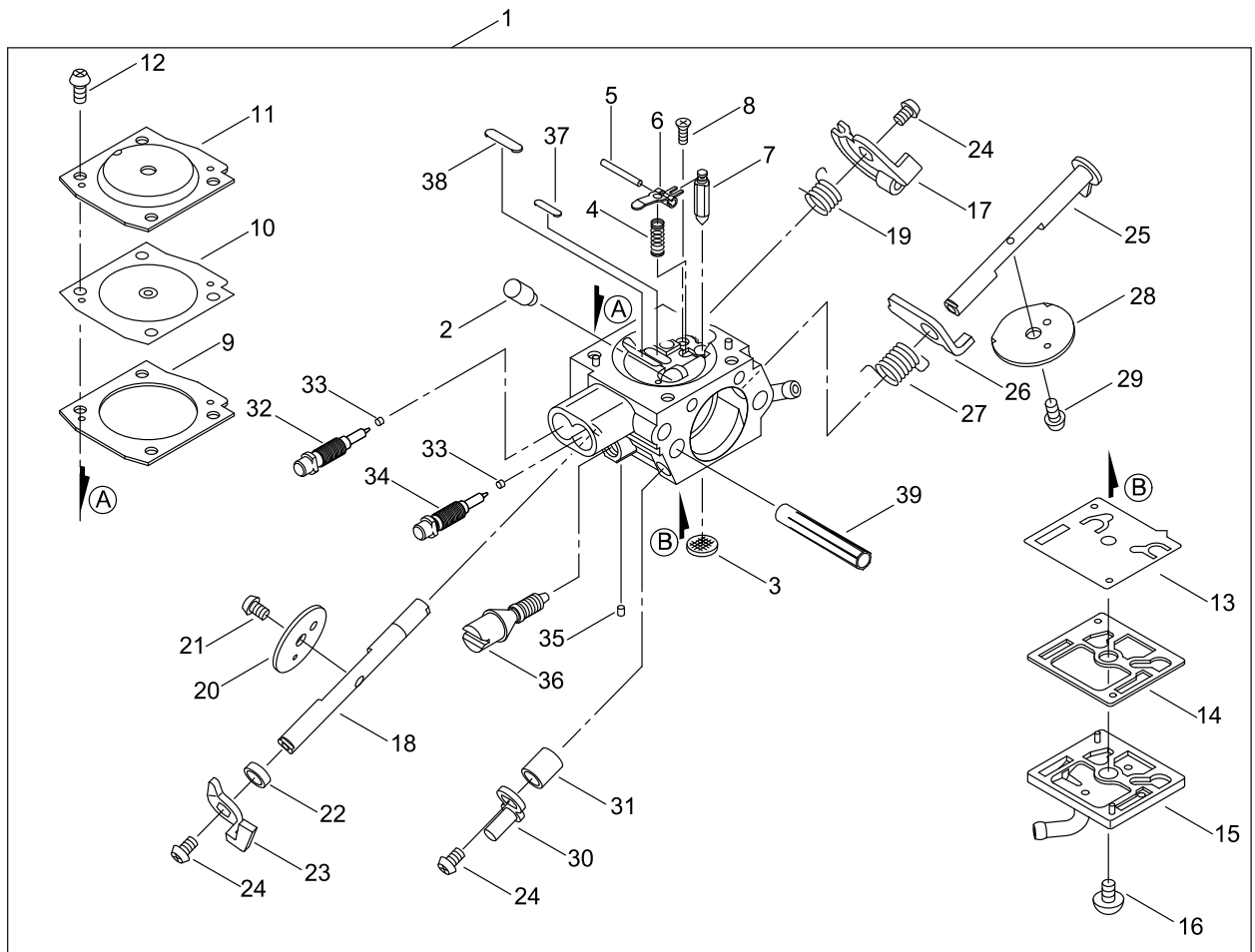
## AIR CLEANER, CARBURETOR

Key No.	LV (+)	Parts Number	Parts Description	Qty	Standard	Class
1		A220-000100	CASE,CARBURETOR	1		C
2		V420-003800	CUSHION	1		B
3		V137-000160	GROMMET,FUEL	2		C
4		V136-000140	GROMMET,LEAD	1		C
5		V420-005620	CUSHION	2		B
6		V835-000030	BOLT, TORX 5	4	TB-5*20 10.9	C
7		A222-000000	LID,CARB CASE	1		C
8		V805-000150	BOLT, TORX 5	2	TB-5*16 10.9	C
9		A202-000371	BELLOWS, INTAKE	1		C
10		A200-001281	INSULATOR, INTAKE	1		C
11		V420-005610	CUSHION	1		B
12		V805-000150	BOLT, TORX 5	2	TB-5*16 10.9	C
13		A206-000070	HOLDER, BELLOWS	1		C
14		92140-04000	NUT, SQUARE	2	4	
15		V361-000580	COLLAR,20	1	20.2*23.3*5	C
16		P200-001230	CARBURETOR ASY	1		B
17	+	V352-000340	COLLAR,4	2		C
18		A241-000410	KNOB, CHOKE	1		C
19		V130-000190	GROMMET,CHOKE	1		C
20		V131-000230	GROMMET,NEEDLE	1		C
21		A204-000280	ELBOW, CARBURETOR	1		C
22		V202-000790	BOLT,4	2	M4*55	C
23		A226-002370	ELEMENT, AIR FILTER	1	#2940	A
24		M613-000330	KNOB	1		D

Class : Consumable class

A:Fast moving parts B:Semi-fast moving parts C:Slow moving parts D:Order only as needed

# CARBURETOR



## CARBURETOR

Key No.	LV (+)	Parts Number	Parts Description	Qty	Standard	Class
1		P200-001230	CARBURETOR ASY	1		B
2	+	P005-004390	NOZZLE ASY	1		
3	+	P005-000860	SCREEN, FUEL INLET	1		
4	+	P005-004400	METERING SPRING	1		
5	+	125338-13930	PIN, METERING ARM	1		
6	+	P005-004560	LEVER, METERING	1		
7	+	125337-06960	VALVE, INLET NEEDLE	1		
8	+	P005-004550	SCREW	1		
9	+	P005-004570	GASKET, METERING	1		
10	+	P005-004580	DIAPHRAGM, METERING	1		
11	+	P005-001850	COVER, DIAPHRAGM	1		
12	+	125344-52130	SCREW	4		D
13	+	P005-004590	DIAPHRAGM, PUMP	1		
14	+	P005-001430	GASKET, PUMP	1		
15	+	P005-004410	PUMP COVER ASY	1		
16	+	P005-004420	SCREW	1		
17	+	P005-004430	THROTTLE LEVER	1		
18	+	P005-004440	THROTTLE SHAFT	1		
19	+	P005-004450	THROTTLE SPRING	1		
20	+	P005-004460	VALVE	1		
21	+	P005-003170	SCREW	1		
22	+	P005-004600	COLLAR	1		
23	+	P005-004470	THROTTLE LEVER	1		
24	+	125348-13930	SCREW	3		D
25	+	P005-004480	CHOKE SHAFT	1		
26	+	P005-004490	CHOKE LEVER	1		
27	+	P005-004610	SPRING, CHOKE RETURN	1		
28	+	P005-004500	VALVE	1		
29	+	125314-51230	SCREW	1	3*4.5	
30	+	P005-004510	CHOKE LEVER	1		
31	+	P005-004620	COLLAR	1		
32	+	P005-004660	SCREW	1		
33	+	125363-12820	RETAINER	2		
34	+	P005-004670	SCREW	1		
35	+	125378-13930	PIECE, FRICTION	1		
36	+	P005-004540	SCREW	1		
37	+	125345-15130	PLUG, WELCH	1		
38	+	P005-000410	PLUG, WELCH	1		D
39	+	V352-000340	COLLAR,4	2		C

Class : Consumable class

A:Fast moving parts B:Semi-fast moving parts C:Slow moving parts D:Order only as needed



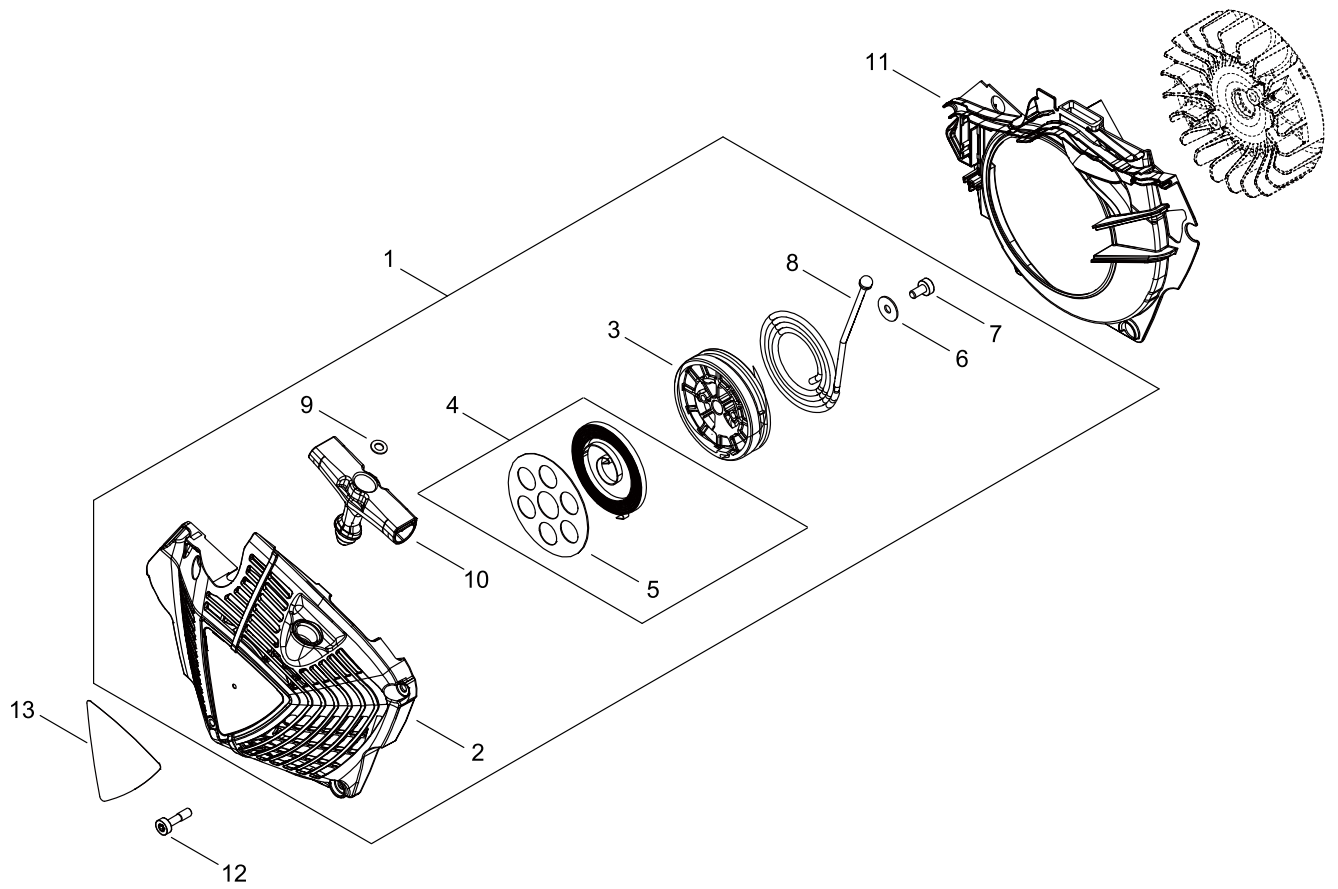
## MUFFLER

Key No.	LV (+)	Parts Number	Parts Description	Qty	Standard	Class
1		P100-009450	MUFFLER ASY	1		
2	+	A310-000580	SCREEN, ARRESTOR	1		B
3	+	V804-000030	BOLT, TORX 4	1	TB-4*8 10.9	C
4		V104-002540	GASKET,EXHAUST	1	T:1.0	A
5		V806-000010	BOLT, TORX 6	2	TB-6*20 10.9	C
6		V150-004750	PLATE,EYE	1	T:3.0	C
7		V304-000540	WASHER,CIRCULAR 6	2	6.3*16*2	C
8		V204-001880	BOLT,6	2		C
9		900515-00006	NUT, FLANGE	2	6	
10		A301-000100	PLATE, MUFFLER	1	T:0.5	C
11		V804-000030	BOLT, TORX 4	1	TB-4*8 10.9	C

Class : Consumable class

A:Fast moving parts B:Semi-fast moving parts C:Slow moving parts D:Order only as needed

# RECOIL STARTER



## RECOIL STARTER

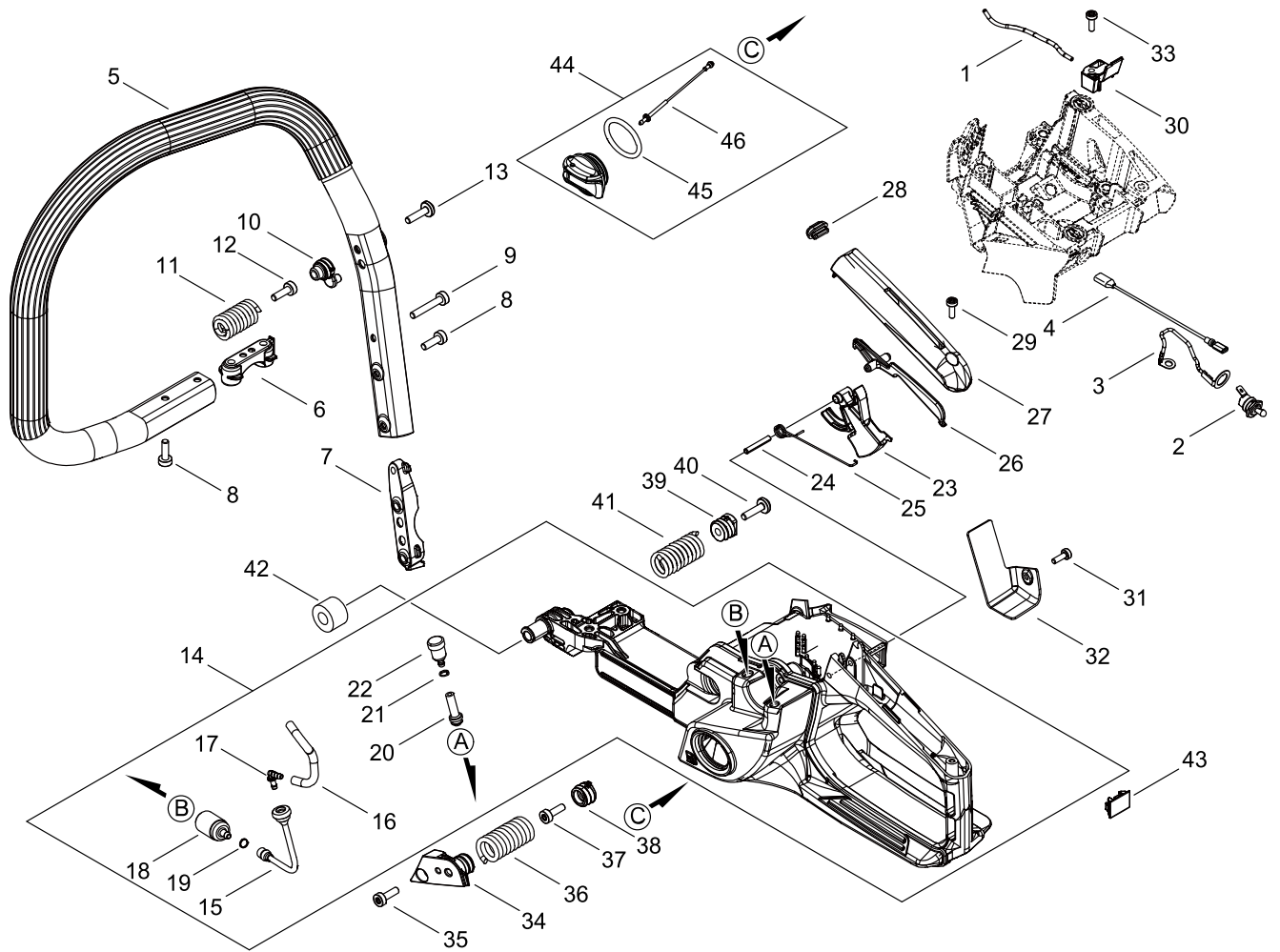
Key No.	LV (+)	Parts Number	Parts Description	Qty	Standard	Class
1		A051-003540	STARTER,RECOIL ASY	1		B
2	+	P100-009460	CASE,STARTER	1		
3	+	A506-000570	REEL, ROPE	1		C
4	+	P100-009470	SPRING KIT, REWIND	1		
5	++	A503-000080	PLATE, STARTER	1		C
6	+	177214-02830	WASHER	1	5.2*16*1.0T	C
7	+	V805-000130	BOLT, TORX 5	1	TB-5*10 10.9	C
8	+	A509-000510	ROPE	1		B
9	+	900600-00005	WASHER	1	5	
10	+	A511-000300	GRIP,STARTER	1		C
11		A172-003650	COVER,FAN	1		C
12		V805-000410	BOLT, TORX 5	4	TB-5*20 10.9	C
13		X503-015740	LABEL,MODEL	1	731SX	D

Class : Consumable class

A:Fast moving parts B:Semi-fast moving parts C:Slow moving parts D:Order only as needed



# HANDLE



## HANDLE

Key No.	LV (+)	Parts Number	Parts Description	Qty	Standard	Class
1		V430-005290	CABLE,BOWDEN	1		B
2		A440-003490	SWITCH, ON OFF	1		C
3		V485-003490	LEAD	1	L90	C
4		V485-003500	LEAD	1	L312	C
5		C400-001750	HANDLE, FRONT	1		C
6		C405-000650	BRACKET,HANDLE	1		C
7		C405-000660	BRACKET,HANDLE	1		C
8		V835-000000	BOLT, TORX 5	4		C
9		V805-000360	BOLT, TORX 5	1	TB-5*30 ALL10.9	C
10		V456-000460	HOLDER,SPRING	1		C
11		V450-002410	SPRING,COMPRESSION	1		B
12		V835-000000	BOLT, TORX 5	1		C
13		V806-000000	BOLT, TORX 6	1	TT-6*20 DG 10.9	C
14		P100-010310	HANDLE ASY, REAR	1		C
15	+	V470-001991	PIPE	1	1.8*4*105	C
16	+	V471-005680	PIPE	1	3.5*6*75	C
17	+	V186-000530	JOINT,PIPE	1		C
18	+	A369-000460	STRAINER, FUEL	1		A
19	+	V490-000500	CLIP	1		C
20	+	V470-002410	PIPE	1		C
21	+	V490-001230	CLIP	1		C
22	+	131300-56431	VENT ASSEMBLY, FUEL	1		B
23		C450-001120	CONTROL, THROTTLE	1		C
24		900345-40025	PIN, SPRING	1	4*25	
25		V452-001970	SPRING,TORSION	1		B
26		C460-000670	LOCKOUT,THROTTLE	1		C
27		C411-000300	LID,HANDLE	1		C
28		V420-005580	CUSHION	1		B
29		V804-000000	BOLT, TORX 4	1	TT-4*12 DG 10.9	C
30		C480-000240	GUIDE, CABLE	1		C
31		V804-000000	BOLT, TORX 4	1	TT-4*12 DG 10.9	C
32		C302-000100	PAD, GUARD	1		B
33		V804-000000	BOLT, TORX 4	1	TT-4*12 DG 10.9	C
34		V456-000470	HOLDER,SPRING	1		C
35		V835-000000	BOLT, TORX 5	1		C
36		V450-002420	SPRING,COMPRESSION	1		B
37		V835-000000	BOLT, TORX 5	1		C
38		V456-000430	HOLDER,SPRING	1	M SIDE 奥	C
39		V456-000440	HOLDER,SPRING	1		C
40		V806-000000	BOLT, TORX 6	1	TT-6*20 DG 10.9	C
41		V450-002430	SPRING,COMPRESSION	1		B
42		V404-000260	CUSHION,10	1	NOK U704	B
43		V141-000180	GROMMET,PLUG	1		B
44		P100-008450	CAP ASY	1		

Class : Consumable class

A:Fast moving parts B:Semi-fast moving parts C:Slow moving parts D:Order only as needed



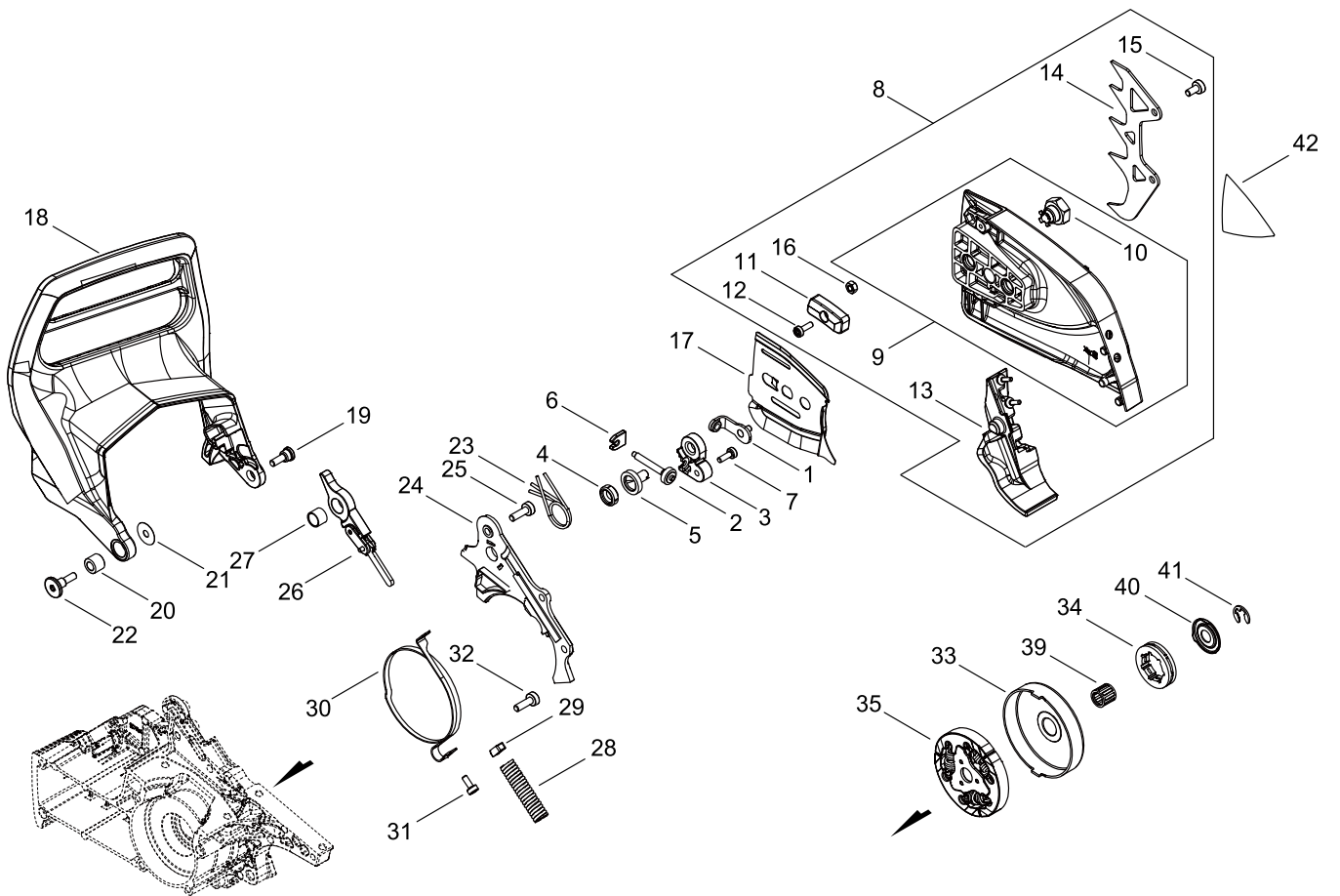
## HANDLE

Key No.	LV (+)	Parts Number	Parts Description	Qty	Standard	Class
45	+	900720-20029	O-RING	1	P-29	
46	+	A365-000150	CONNECTOR,CAP	1		B

Class : Consumable class

A:Fast moving parts B:Semi-fast moving parts C:Slow moving parts D:Order only as needed

# CHAIN BRAKE



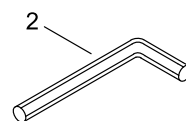
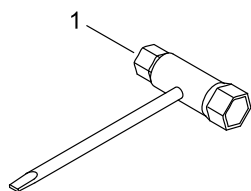
## CHAIN BRAKE

Key No.	LV (+)	Parts Number	Parts Description	Qty	Standard	Class
1		C309-000210	TENSIONER, CHAIN	1		C
2		V203-002460	BOLT,5	1		C
3		V355-000980	COLLAR,8	1		C
4		V356-000940	COLLAR,10	1		C
5		V652-000270	GEAR,WORM	1		B
6		C316-000100	GUIDE, SHAFT	1		D
7		V804-000050	BOLT, TORX 4	1	TB-4*12 10.9	C
8		P100-010090	GUARD, SPROCKET ASY	1		C
9	+	C300-001230	GUARD, SPROCKET	1		C
10	++	V265-000660	NUT,8	2	M8*1.25*7.2	C
11	+	C301-000010	PIECE,SPROCKET GUARD	2		C
12	+	V804-000050	BOLT, TORX 4	2	TB-4*12 10.9	C
13	+	C302-000110	PAD, GUARD	1		B
14	+	C304-000340	SPIKED	1		C
15	+	V805-000130	BOLT, TORX 5	2	TB-5*10 10.9	C
16	+	900560-00005	NUT, LOCK	2	5	
17		C305-000550	PLATE,SPROCKET GUARD	1		C
18		C320-000600	LEVER, BRAKE	1		C
19		V203-002510	BOLT,5	1	TB5*12	C
20		J211-000430	BUSH	1		
21		V303-000060	WASHER,CIRCULAR 5	1	5.5*18*0.4	C
22		V203-002450	BOLT,5	1	TB5*12	C
23		V452-001960	SPRING,TORSION	1		B
24		C345-000770	COVER,BRAKE	1		C
25		V835-000000	BOLT, TORX 5	3		C
26		C334-000111	CONNECTOR, BRAKE	1	ASSY	C
27		V356-000470	COLLAR,10	1	12*10*T1.0	C
28		V450-000740	SPRING,COMPRESSION	1	12*70.5	B
29		V376-000450	SPACER	1		C
30		C328-000370	BAND, BRAKE	1		C
31		V804-000110	BOLT, TORX 4	1	TB-4*10 12.9	C
32		V805-000150	BOLT, TORX 5	1	TB-5*16 10.9	C
33		A556-001930	DRUM, CLUTCH	1		B
34		175033-14731	SPROCKET, RIM 68210S	1		B
35		A056-000880	CLUTCH ASY	1		B
39		V555-000010	BEARING,NEEDLE 10	1		B
40		V307-000520	WASHER,CIRCULAR 10	1		C
41		V583-000440	RING	1	8.1 T1.2	C
42		X560-000140	LABEL,SHINDAIWA	1		D

Class : Consumable class

A:Fast moving parts B:Semi-fast moving parts C:Slow moving parts D:Order only as needed

## ACCESSORIES



## ACCESSORIES



Key No.	LV (+)	Parts Number	Parts Description	Qty	Standard	Class
1		X602-000080	TOOL,WRENCH	1	13*19 L180	D
2		X605-000190	TOOL,L WRENCH	1	T27 120*80	D

Class : Consumable class

A:Fast moving parts B:Semi-fast moving parts C:Slow moving parts D:Order only as needed



## GUIDE BAR, CHAIN

Pitch ピッチ  (inch) (mm)	Gauge ゲージ  (inch) (mm)	Length 長さ  (cm)	Guide Bar ガイドバー		Saw Chain ソーチェーン		Chain Scabbard チェーンスカバード		Hard Nose ハード ノーズ  	Sprocket Nose スプロケット ノーズ  
			Key №	Type 形式	Key №	Type 形式	Key №	Length 長さ (cm)		
3/8 9.53	0.058 1.47	50	A1	U50R73-72AA- SD	A2	73EXL-72	A3	52		●
3/8 9.53	0.058 1.47	60	B1	U60R73-84AA- SD	B2	73EXL-84	B3	65		●
3/8 9.53	0.058 1.47	70	C1	U70R73-92AA- SD	C2	73EXL-92	C3	76		●
3/8 9.53	0.058 1.47	45	D1	U45R73-68AA- SD	D2	73EXL-68	D3	52		●
3/8 9.53	0.058 1.47	45	E1	U45R73-68AA- SD	E2	73LPX-68	E3	52		●
3/8 9.53	0.058 1.47	50	F1	U50R73-72AA- SD	F2	73LPX-72	F3	52		●
3/8 9.53	0.058 1.47	60	G1	U60R73-84AA- SD	G2	73LPX-84	G3	65		●
3/8 9.53	0.058 1.47	70	H1	U70R73-92AA- SD	H2	73LPX-92	H3	76		●

## GUIDE BAR, CHAIN

Key No.	LV (+)	Parts Number	Parts Description	Qty	Standard	Class
A1		X126-000420	BAR,GUIDE 50	1	U50R73-72AA- SD	A
A2		X266-000090	CHAIN,SAW	1	73EXL-72	A
A3		X490-000800	SCABBARD,CHAIN	1	L515*W122	D
B1		X128-000140	BAR,GUIDE 60	1	U60R73-84AA- SD	A
B2		X268-000060	CHAIN,SAW	1	73EXL-84	A
B3		X490-000790	SCABBARD,CHAIN	1	L650 W122	
C1		X130-000070	BAR,GUIDE 70	1	U70R73-92AA- SD	A
C2		X270-000080	CHAIN,SAW	1	73EXL-92E	A
C3		X490-001120	SCABBARD,CHAIN	1		D
D1		X125-000480	BAR,GUIDE 45	1	U45R73-68AA- SD	A
D2		X265-000090	CHAIN,SAW	1	73EXL068E	A
D3		X490-000800	SCABBARD,CHAIN	1	L515*W122	D
E1		X125-000480	BAR,GUIDE 45	1	U45R73-68AA- SD	A
E2		X265-000080	CHAIN,SAW	1	73LPX068E	A
E3		X490-000800	SCABBARD,CHAIN	1	L515*W122	D
F1		X126-000420	BAR,GUIDE 50	1	U50R73-72AA- SD	A
F2		X266-000060	CHAIN,SAW	1	73LPX-72	A
F3		X490-000800	SCABBARD,CHAIN	1	L515*W122	D
G1		X128-000140	BAR,GUIDE 60	1	U60R73-84AA- SD	A
G2		X268-000040	CHAIN,SAW	1	73LPX-84	A
G3		X490-000790	SCABBARD,CHAIN	1	L650 W122	
H1		X130-000070	BAR,GUIDE 70	1	U70R73-92AA- SD	A
H2		X270-000050	CHAIN,SAW	1	73LPX-92	A
H3		X490-001120	SCABBARD,CHAIN	1		D

Class : Consumable class

A:Fast moving parts B:Semi-fast moving parts C:Slow moving parts D:Order only as needed

# NUMERICAL PARTS INDEX

Part No	Part description	Page	Part No	Part description	Page	Part No	Part description	Page
100142-30830	KEY, WOODRUFF	6	A369-000460	STRAINER, FUEL	16	P005-004410	PUMP COVER ASY	10
101522-16430	PIN, DOWEL	4	A409-001420	ROTOR, MAGNETO	6	P005-004420	SCREW	10
125314-51230	SCREW	10	A411-001950	COIL, IGNITION	6	P005-004430	THROTTLE LEVER	10
125337-06960	VALVE,INLET NEEDLE	10	A425-000080	SPARKPLUG	6	P005-004440	THROTTLE SHAFT	10
125338-13930	PIN, METERING ARM	10	A426-000050	SPRING SPARK PLUG	6	P005-004450	THROTTLE SPRING	10
125344-52130	SCREW	10	A427-000190	CAP,SPARK PLUG	6	P005-004460	VALVE	10
125345-15130	PLUG, WELCH	10	A440-003490	SWITCH, ON OFF	16	P005-004470	THROTTLE LEVER	10
125348-13930	SCREW	10	A503-000080	PLATE, STARTER	14	P005-004480	CHOKE SHAFT	10
125363-12820	RETAINER	10	A506-000570	REEL, ROPE	14	P005-004490	CHOKE LEVER	10
125378-13930	PIECE, FRICTION	10	A509-000510	ROPE	14	P005-004500	VALVE	10
131300-56431	VENT ASSEMBLY, FUEL	16	A511-000300	GRIP,STARTER	14	P005-004510	CHOKE LEVER	10
175033-14731	SPROCKET, RIM 68210S	20	A514-000350	PAWL	6	P005-004540	SCREW	10
177214-02830	WASHER	14	A556-001930	DRUM, CLUTCH	20	P005-004550	SCREW	10
436205-14730	STRAINER, OIL	2	C022-000220	AUTO-OILER ASSEMBLY	2	P005-004560	LEVER, METERING	10
890345-39231	LABEL,CAUTION	4	C300-001230	GUARD, SPROCKET	20	P005-004570	GASKET, METERING	10
900345-40025	PIN, SPRING	16	C301-000010	PIECE,SPROCKET GUARD	20	P005-004580	DIAPHRAGM ,METERING	10
900515-00006	NUT, FLANGE	12	C302-000100	PAD, GUARD	16	P005-004590	DIAPHRAGM, PUMP	10
900515-00008	NUT, FLANGE	6	C302-000110	PAD, GUARD	20	P005-004600	COLLAR	10
900560-00005	NUT, LOCK	20	C304-000340	SPIKED	20	P005-004610	SPRING, CHOKE RETURN	10
900560-00006	NUT, LOCK	4	C304-000350	SPIKED	4	P005-004620	COLLAR	10
900600-00005	WASHER	14	C305-000550	PLATE,SPROCKET GUARD	20	P005-004660	SCREW	10
900701-00015	RETAINING RING	2	C309-000210	TENSIONER, CHAIN	20	P005-004670	SCREW	10
900720-20029	O-RING	4	C310-000030	CATCHER,CHAIN	4	P100-008410	CAP,OIL ASY	4
900720-20029	O-RING	18	C316-000100	GUIDE, SHAFT	20	P100-008450	CAP ASY	16
92140-04000	NUT, SQUARE	8	C320-000600	LEVER, BRAKE	20	P100-009400	CYLINDER ASY	2
94036-46202	BEARING, BALL	4	C328-000370	BAND, BRAKE	20	P100-009410	PISTON KIT	2
A014-000130	RELEASE ASY., COMP.	2	C334-000111	CONNECTOR, BRAKE	20	P100-009450	MUFFLER ASY	12
A051-003540	STARTER,RECOIL ASY	14	C345-000770	COVER,BRAKE	20	P100-009460	CASE,STARTER	14
A056-000880	CLUTCH ASY	20	C400-001750	HANDLE, FRONT	16	P100-009470	SPRING KIT, REWIND	14
A101-000790	RING, PISTON	2	C405-000650	BRACKET,HANDLE	16	P100-010090	GUARD, SPROCKET ASY	20
A172-003650	COVER,FAN	14	C405-000660	BRACKET,HANDLE	16	P100-010270	CRANKCASE ASY	4
A200-001281	INSULATOR, INTAKE	8	C411-000300	LID,HANDLE	16	P100-010300	CYLINDER COVER ASY	4
A202-000371	BELLOWS, INTAKE	8	C450-001120	CONTROL, THROTTLE	16	P100-010310	HANDLE ASY, REAR	16
A204-000280	ELBOW, CARBURETOR	8	C460-000670	LOCKOUT,THROTTLE	16	P200-001230	CARBURETOR ASY	8
A206-000070	HOLDER, BELLOWS	8	C480-000240	GUIDE, CABLE	16	P200-001230	CARBURETOR ASY	10
A219-000040	SHUTTER,AIR	4	J211-000430	BUSH	20	V100-000900	GASKET,CYL	2
A220-000100	CASE,CARBURETOR	8	M613-000330	KNOB	8	V102-000350	GASKET,CRANKCASE	4
A222-000000	LID,CARB CASE	8	P005-000410	PLUG, WELCH	10	V104-002540	GASKET,EXHAUST	12
A226-002370	ELEMENT, AIR FILTER	8	P005-000860	SCREEN, FUEL INLET	10	V130-000190	GROMMET,CHOKE	8
A241-000410	KNOB, CHOKE	8	P005-001430	GASKET, PUMP	10	V131-000230	GROMMET,NEEDLE	8
A301-000100	PLATE, MUFFLER	12	P005-001850	COVER, DIAPHRAGM	10	V136-000140	GROMMET,LEAD	8
A310-000580	SCREEN, ARRESTOR	12	P005-003170	SCREW	10	V137-000160	GROMMET,FUEL	8
A356-000120	ELEMENT	4	P005-004390	NOZZLE ASY	10	V141-000090	GROMMET,PLUG	2
A365-000150	CONNECTOR,CAP	4	P005-004400	METERING SPRING	10	V141-000180	GROMMET,PLUG	16
A365-000150	CONNECTOR,CAP	18						

# NUMERICAL PARTS INDEX

Part No	Part description	Page	Part No	Part description	Page	Part No	Part description	Page
V150-004750	PLATE,EYE	12	V471-005680	PIPE	16	X266-000060	CHAIN,SAW	24
V186-000530	JOINT,PIPE	16	V475-009560	TUBE	6	X266-000090	CHAIN,SAW	24
V202-000790	BOLT,4	8	V485-003490	LEAD	16	X268-000040	CHAIN,SAW	24
V203-002250	BOLT,5	6	V485-003500	LEAD	16	X268-000060	CHAIN,SAW	24
V203-002450	BOLT,5	20	V490-000500	CLIP	4	X270-000050	CHAIN,SAW	24
V203-002460	BOLT,5	20	V490-000500	CLIP	16	X270-000080	CHAIN,SAW	24
V203-002510	BOLT,5	20	V490-001230	CLIP	16	X490-000790	SCABBARD,CHAIN	24
V204-001880	BOLT,6	12	V495-003900	BAND	6	X490-000800	SCABBARD,CHAIN	24
V225-000380	BOLT,STUD 8	4	V508-000140	SEAL,OIL 15	4	X490-001120	SCABBARD,CHAIN	24
V265-000660	NUT,8	20	V555-000010	BEARING,NEEDLE 10	20	X503-015740	LABEL,MODEL	14
V303-000060	WASHER,CIRCULAR 5	20	V557-000080	BEARING,NEEDLE 12	2	X560-000140	LABEL,SHINDAIWA	20
V304-000540	WASHER,CIRCULAR 6	12	V580-000000	RING,END	2	X562-000870	LABEL,SHINDAIWA	4
V307-000520	WASHER,CIRCULAR 10	20	V583-000440	RING	20	X562-001750	LABEL,SHINDAIWA	4
V311-000090	WASHER,CIRCULAR 16-1	2	V610-000040	PIN,ENG 12	2	X602-000080	TOOL,WRENCH	22
V352-000340	COLLAR,4	8	V641-000270	PIN,SNAP	4	X605-000190	TOOL,L WRENCH	22
V352-000340	COLLAR,4	10	V652-000270	GEAR,WORM	20			
V354-000650	COLLAR,6	4	V652-000300	GEAR,WORM	2			
V355-000980	COLLAR,8	20	V804-000000	BOLT, TORX 4	16			
V356-000470	COLLAR,10	20	V804-000030	BOLT, TORX 4	12			
V356-000940	COLLAR,10	20	V804-000050	BOLT, TORX 4	2			
V361-000580	COLLAR,20	8	V804-000050	BOLT, TORX 4	20			
V376-000450	SPACER	20	V804-000110	BOLT, TORX 4	20			
V404-000260	CUSHION,10	16	V805-000130	BOLT, TORX 5	14			
V420-003800	CUSHION	8	V805-000130	BOLT, TORX 5	20			
V420-005580	CUSHION	16	V805-000150	BOLT, TORX 5	6			
V420-005590	CUSHION	4	V805-000150	BOLT, TORX 5	8			
V420-005600	CUSHION	4	V805-000150	BOLT, TORX 5	20			
V420-005610	CUSHION	8	V805-000220	BOLT, TORX 5	2			
V420-005620	CUSHION	8	V805-000220	BOLT, TORX 5	4			
V430-005290	CABLE,BOWDEN	16	V805-000250	BOLT, TORX 5	4			
V450-000740	SPRING,COMPRESSION	20	V805-000290	BOLT, TORX 5	4			
V450-002410	SPRING,COMPRESSION	16	V805-000360	BOLT, TORX 5	16			
V450-002420	SPRING,COMPRESSION	16	V805-000410	BOLT, TORX 5	14			
V450-002430	SPRING,COMPRESSION	16	V806-000000	BOLT, TORX 6	16			
V452-001950	SPRING,TORSION	6	V806-000010	BOLT, TORX 6	12			
V452-001960	SPRING,TORSION	20	V835-000000	BOLT, TORX 5	16			
V452-001970	SPRING,TORSION	16	V835-000000	BOLT, TORX 5	20			
V456-000430	HOLDER,SPRING	16	V835-000030	BOLT, TORX 5	8			
V456-000440	HOLDER,SPRING	16	V856-000010	BOLT,TORX 6	4			
V456-000460	HOLDER,SPRING	16	X125-000480	BAR,GUIDE 45	24			
V456-000470	HOLDER,SPRING	16	X126-000420	BAR,GUIDE 50	24			
V470-001991	PIPE	16	X128-000140	BAR,GUIDE 60	24			
V470-002370	PIPE	2	X130-000070	BAR,GUIDE 70	24			
V470-002410	PIPE	16	X265-000080	CHAIN,SAW	24			
V470-002420	PIPE	4	X265-000090	CHAIN,SAW	24			