

shindaiwa®

PARTS CATALOG

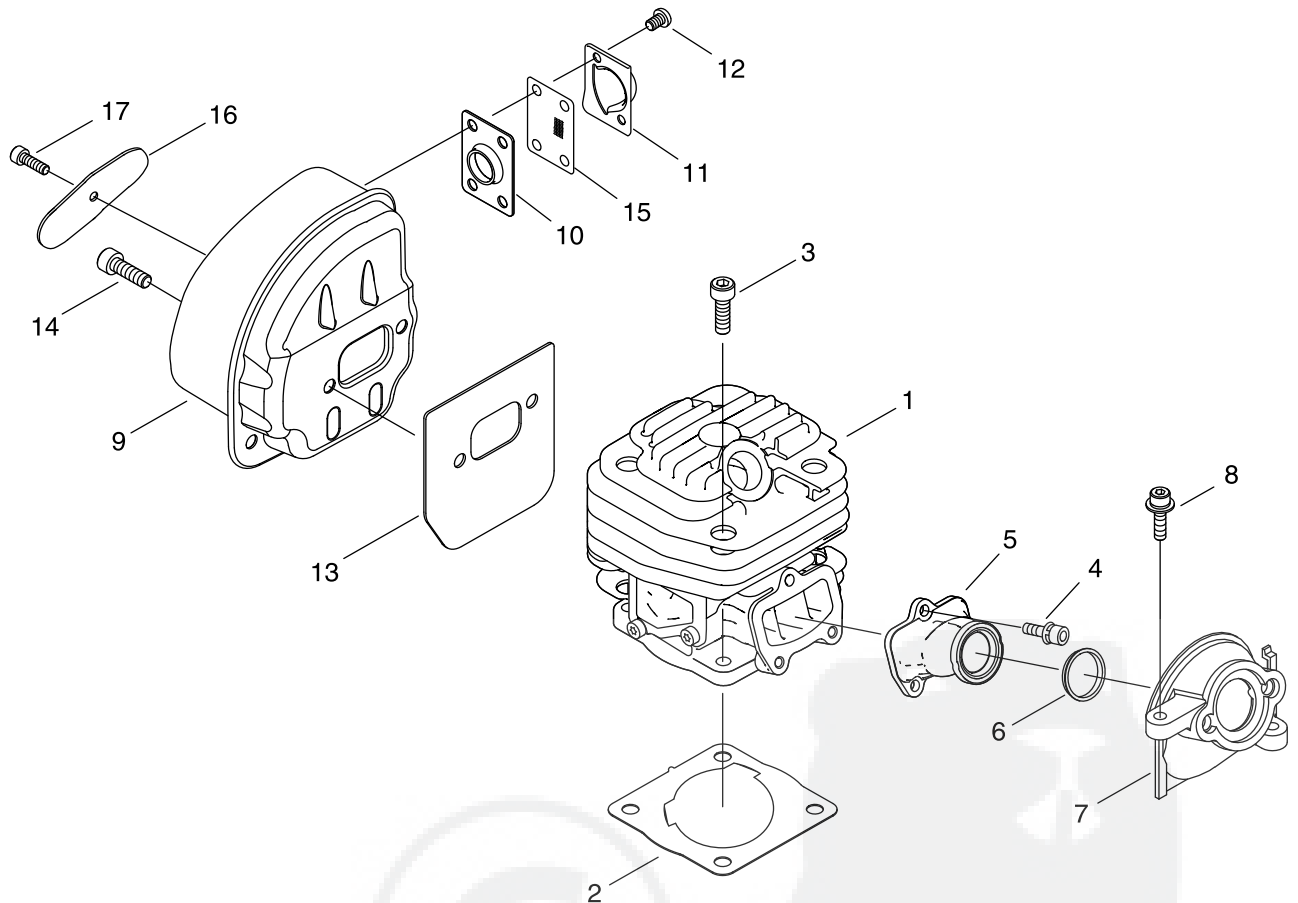
CHAIN SAW
390SX(37)325

37000001 - 37001700

CE

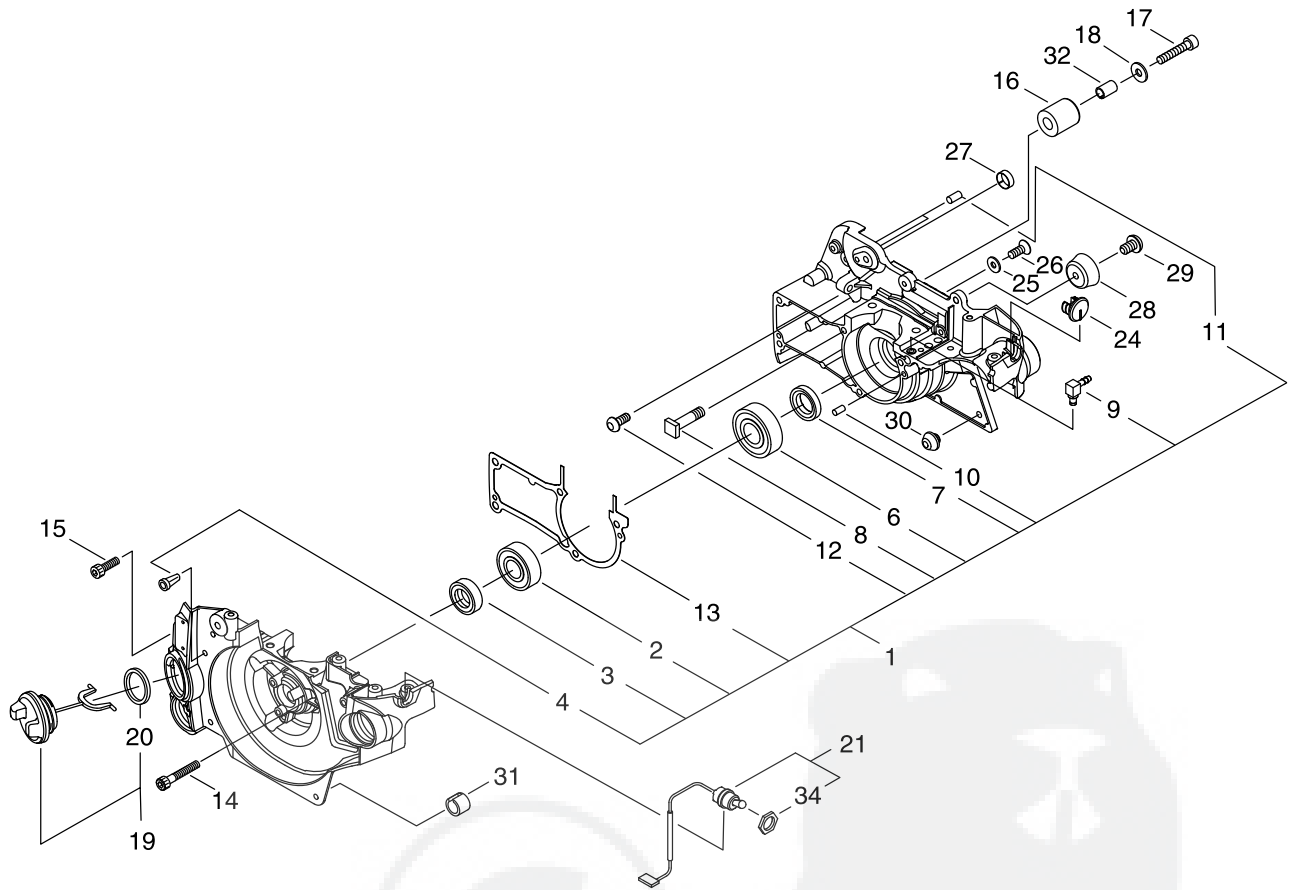
P016-001350-12Lb

1. CYLINDER, MUFFLER



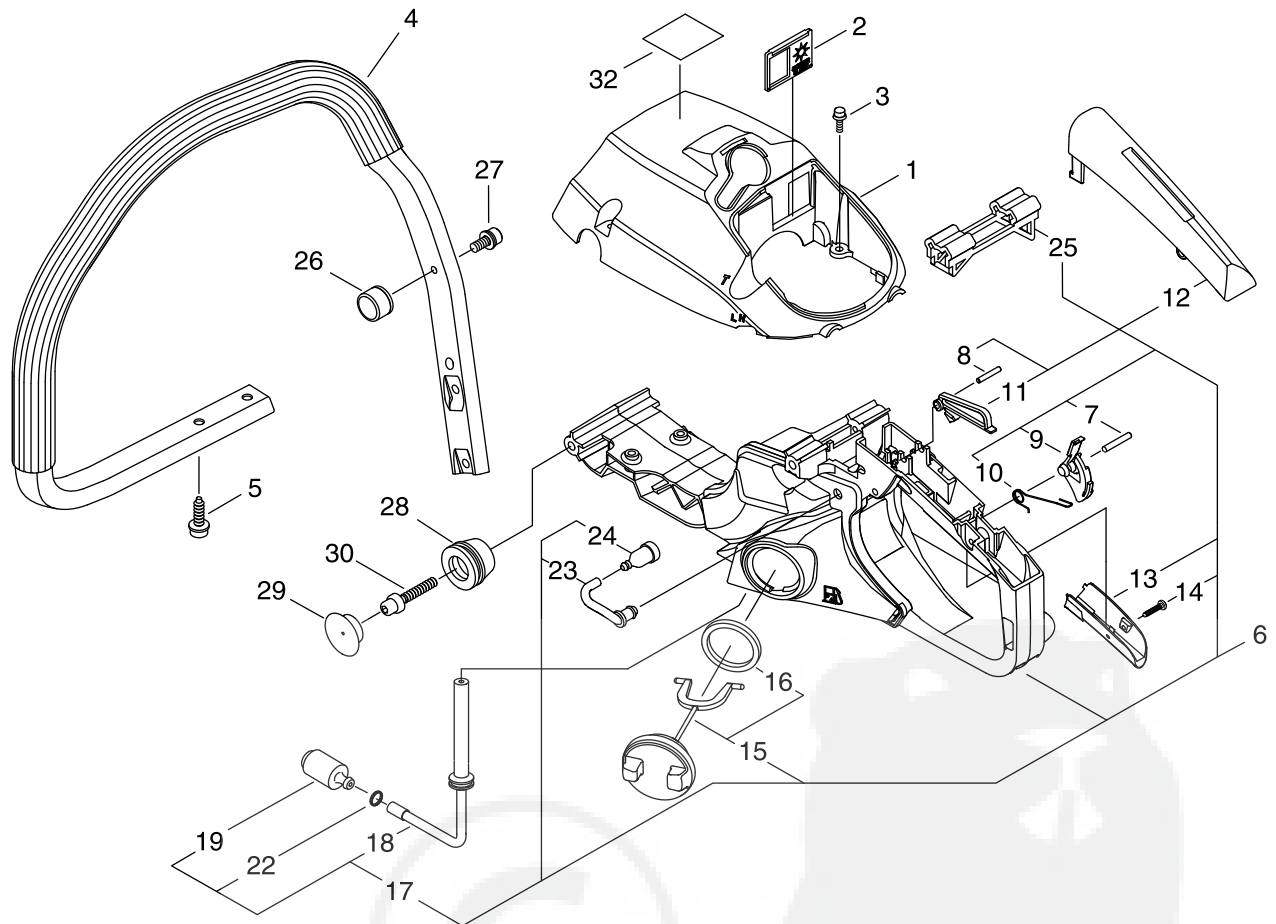
KEY	LV	PART NUMBER	Q'TY	DESCRIPTION	REMARKS	NOTE1	NOTE2
1		P021-040340	1	CYLINDER ASY			
2		V100-000750	1	GASKET,CYL			
3		900105-05018	4	BOLT, H.S. 5*18	5*18		
4		V202-000350	3	BOLT-SPW	M4-14		
5		A202-000240	1	BELLOWS, INTAKE			
6		V359-000380	1	COLLAR,16			
7		A200-000852	1	INSULATOR, INTAKE			
8		V202-000200	2	BOLT			
9		A300-001691	1	MUFFLER, EXHAUST			
10		A313-001890	1	GUIDE, EXHAUST			
11		A313-001880	1	GUIDE, EXHAUST			
12		91578-04006	2	SCREW			
13		V104-001581	1	GASKET,EXHAUST			
14		V203-001880	4	BOLT,5			
15		A310-000450	1	SCREEN, ARRESTOR			
16		A301-000060	1	PLATE, MUFFLER			
17		900105-04006	1	BOLT, H.S. 4*6	4*6		

2. CRANKCASE, ENGINE COVER



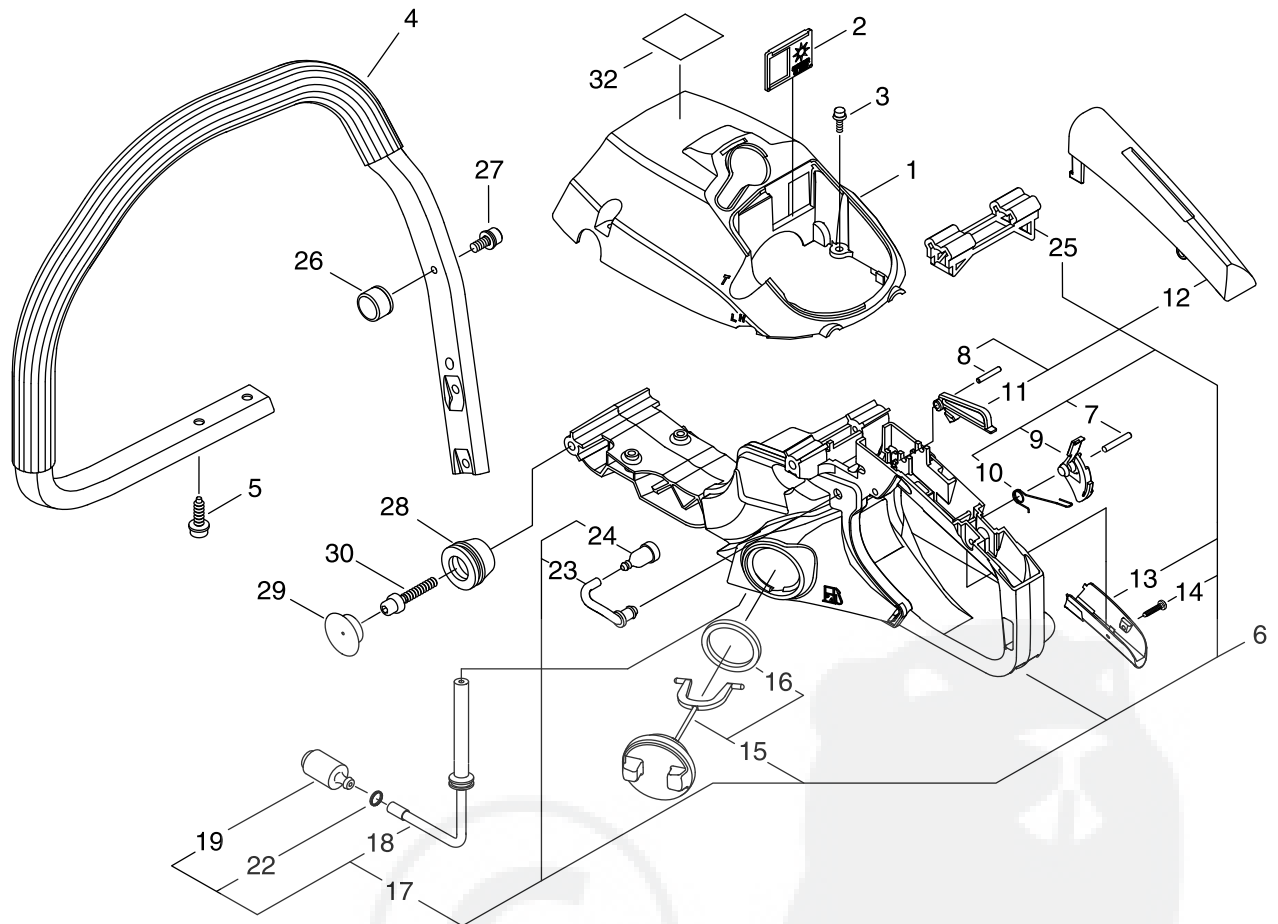
KEY	LV	PART NUMBER	Q'TY	DESCRIPTION	REMARKS	NOTE1	NOTE2
28		V423-000080	1	MOUNT HOLDER			
29		91142-05008	1	SCREW BUTTON			
30		V420-002770	1	CUSHION			
31		V420-002740	1	SUPPORTER			
32		V353-000460	1	BUSH			

3. HANDLE



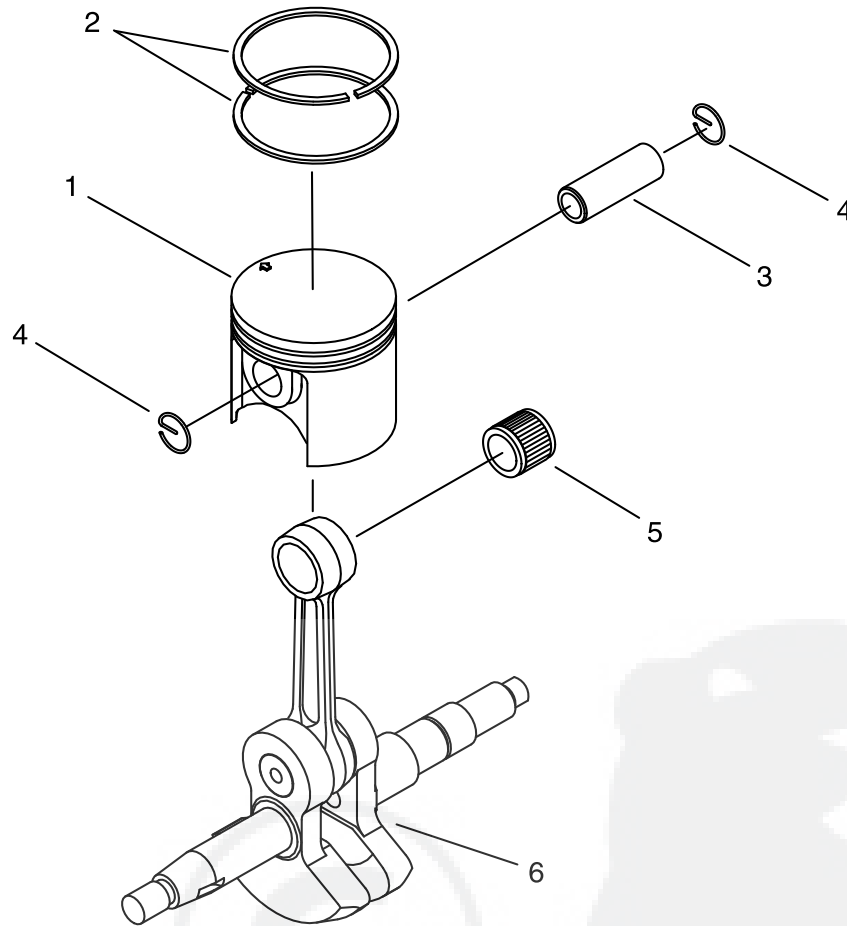
KEY	LV	PART NUMBER	Q'TY	DESCRIPTION	REMARKS	NOTE1	NOTE2
1		A160-002580	1	COVER,CYLINDER			
2		A219-000040	1	SHUTTER,AIR			
3		V202-000200	3	BOLT			
4		C040-000511	1	HANDLE, FRONT			
5		V203-001490	4	BOLT TAPPING			
6		P021-040192	1	HANDLE, REAR ASSY			
7	+	93060-40250	1	PIN, SPRING			
8	+	93042-40220	1	PIN, SPRING			
9	+	C450-000641	1	CONTROL, THROTTLE			
10	+	V452-000850	1	SPRING,TORSION			
11	+	C460-000310	1	LOCKOUT,THROTTLE			
12	+	C411-000130	1	LID,HANDLE			
13	+	C403-000530	1	GRIP			
14	+	91449-04022	1	SCREW TAPPING			
15	+	A033-000220	1	CAP ASSY			
16	++	V107-000070	1	GASKET			
17	+	P021-035121	1	FUEL PIPE			
18	++	V470-001520	1	PIPE			
19	++	131205-19832	1	STRAINER, FUEL			
22	++	V490-000500	1	CLIP			
23	+	V470-001530	1	PIPE			
24	+	131300-56431	1	VENT ASSEMBLY, FUEL			
25	+	V420-002810	1	STOPPER			
26		V400-000080	1	CUSHION			
27		V202-000260	1	BOLT,4			

3. HANDLE



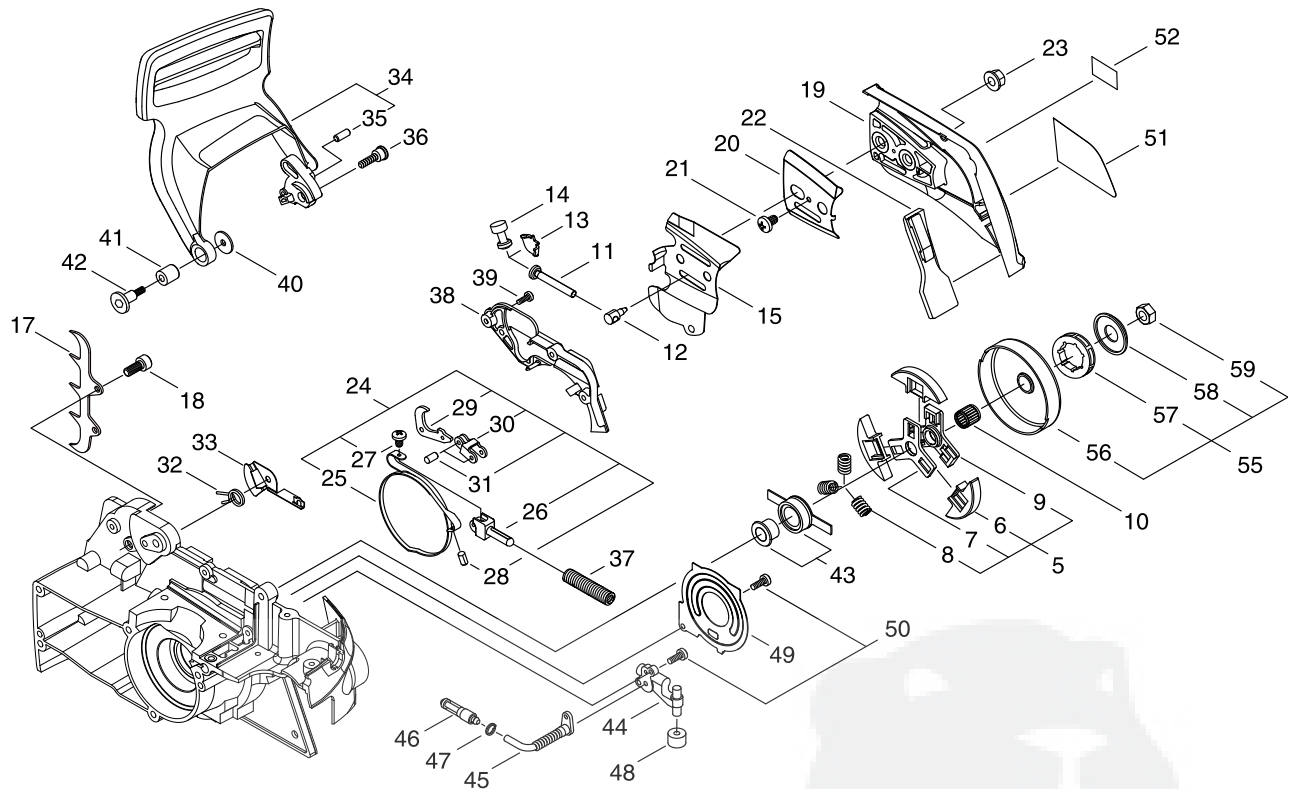
KEY	LV	PART NUMBER	Q'TY	DESCRIPTION	REMARKS	NOTE1	NOTE2
28		V401-000290	4	CUSHION			
29		V421-000070	4	CAP,CUSHION			
30		V203-001480	4	BOLT			
32		890345-39230	1	LABEL,CAUTION			

4. PISTON, CRANKSHAFT



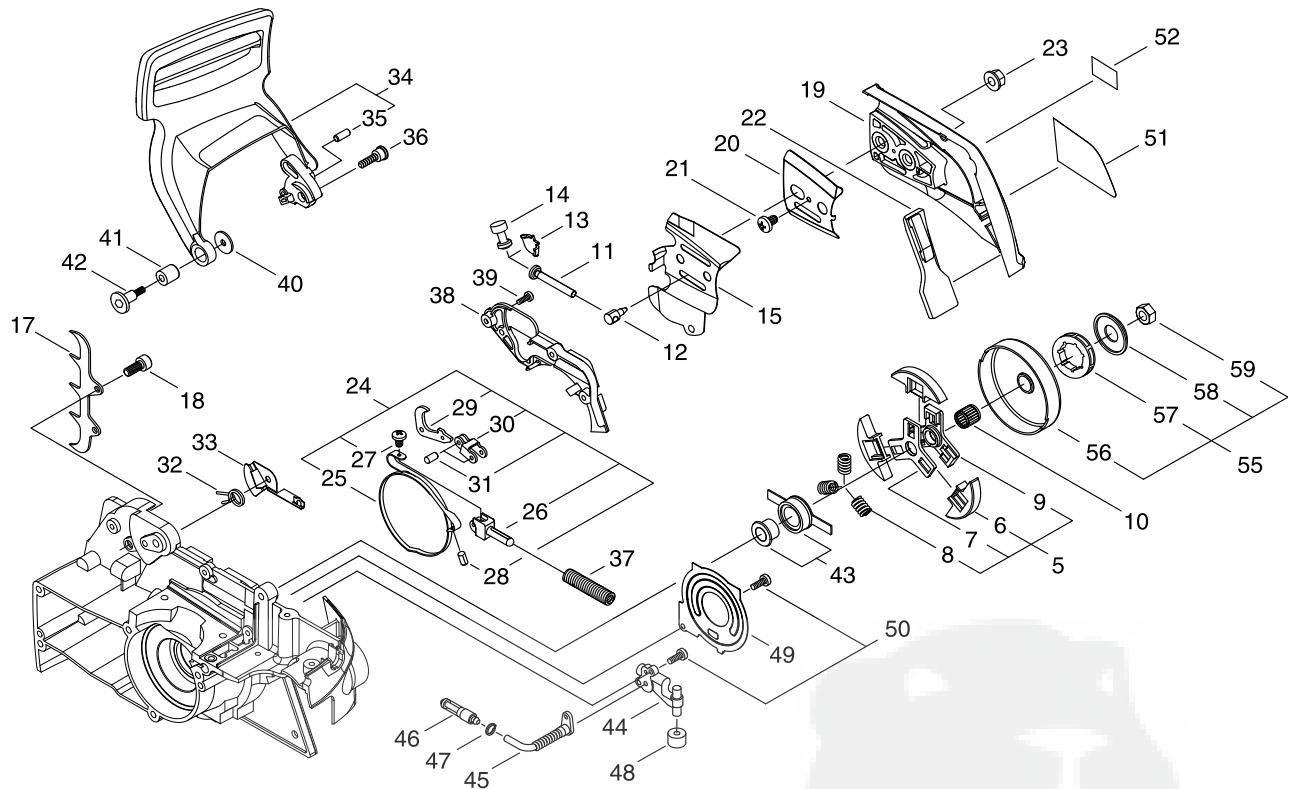
KEY	LV	PART NUMBER	Q'TY	DESCRIPTION	REMARKS	NOTE1	NOTE2
1		A100-001000	1	PISTON			
2		A101-000450	2	PISTON RING			
3		V608-000070	1	PIN,ENG 10	6*10*29.8		
4		V580-000010	2	RING,END	10		
5		V555-000140	1	BEARING,NEEDLE			
6		A011-000990	1	CRANK SHAFT			

5. CHAIN BRAKE



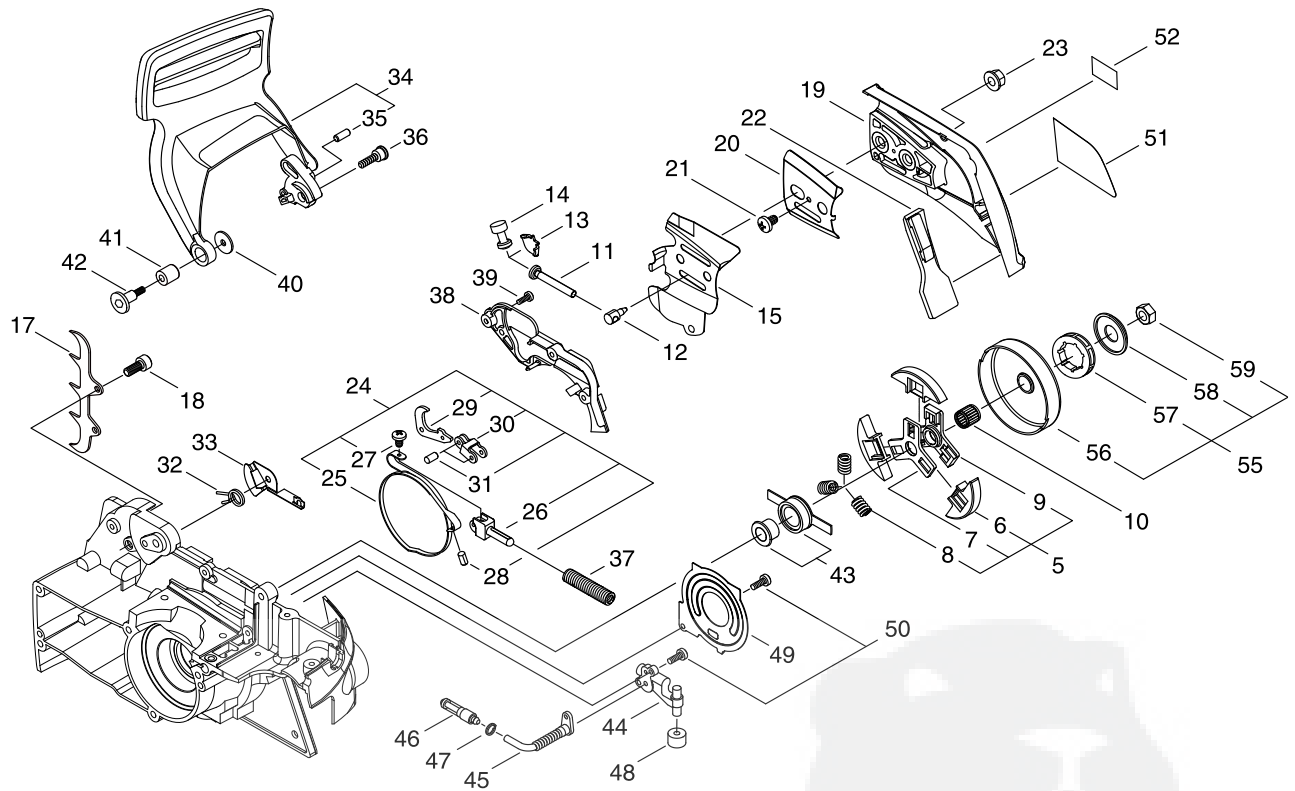
KEY	LV	PART NUMBER	Q'TY	DESCRIPTION	REMARKS	NOTE1	NOTE2
5		A056-000610	1	ASM,CLUCH			
6	+	A555-000210	3	SHOE,CLUTCH			
7	+	A552-000230	1	HUB,CLUTCH			
8	+	V451-000930	3	SPRING			
9	+	A552-000240	1	HUB, CLUTCH			
10		V555-000150	1	BEARING,NEEDLE			
11		V253-000610	1	SCREW			
12		C309-000110	1	TENSIONER,CHAIN			
13		V152-002430	1	GUIDE			
14		V651-000790	1	GEAR,BEVEL			
15		C305-000440	1	PLATE,SPROCKET GUARD			
17		C304-000200	1	SPIKED			
18		900105-05012	2	BOLT, H.S. 5*12	5*12		
19		C300-000601	1	GUARD, SPROCKET			
20		C305-000260	1	PLATE,SPROCKET GUARD			
21		900253-04008	1	SCREW 4*8	4*8		
22		C302-000030	1	PROTECTOR			
23		V265-000200	2	NUT			
24		C328-000210	1	BAND,BRAKE			
25	+	C328-000220	1	BAND,BRAKE			
26	+	C334-000180	1	CONNECTOR,BRAKE			
27	+	91381-04010	1	SCREW TAPPING			
28	+	93042-40100	1	PIN, SPRING			
29	+	C334-000190	1	CONNECTOR, BRAKE			
30	+	C334-000200	1	CONNECTOR,BRAKE			

5. CHAIN BRAKE



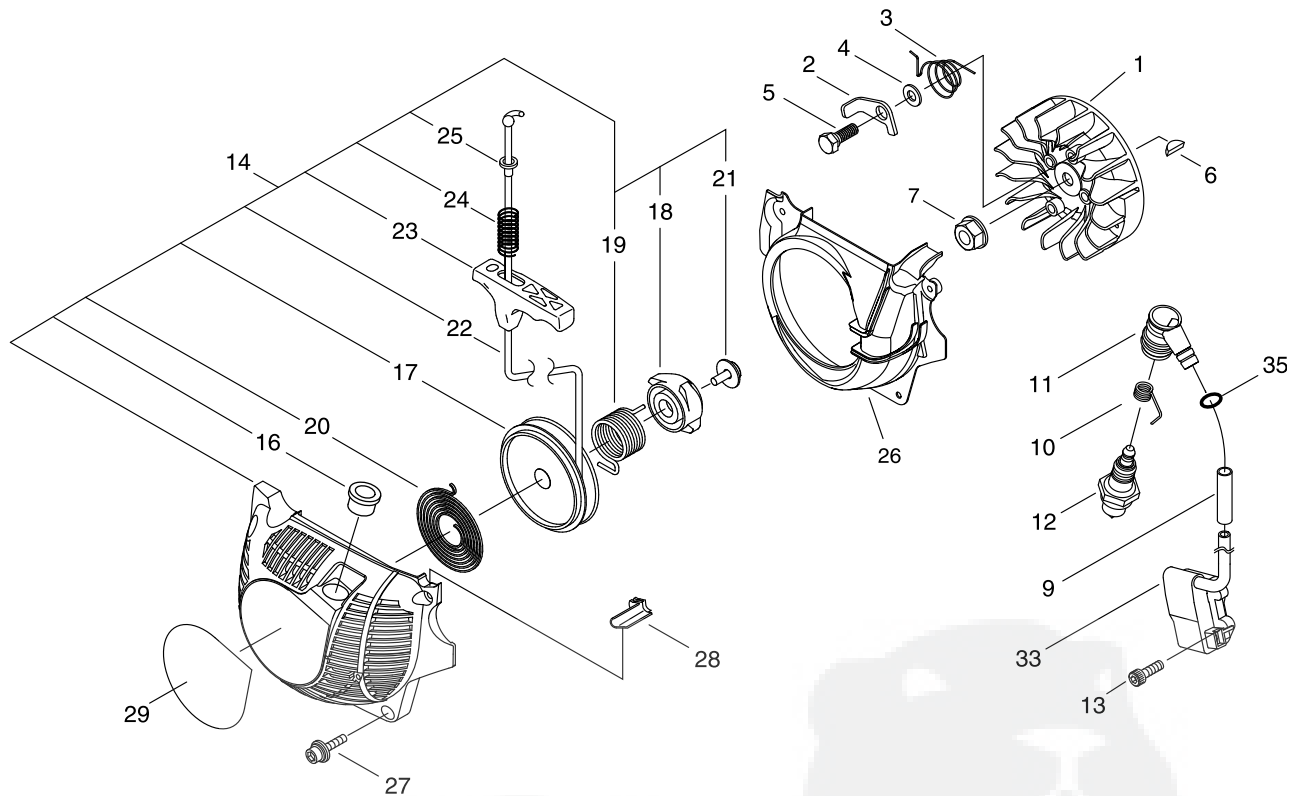
KEY	LV	PART NUMBER	Q'TY	DESCRIPTION	REMARKS	NOTE1	NOTE2
31	+	900330-30120	2	PIN	3*12		
32		V452-000860	1	SPRING,TORSION			
33		C347-000010	1	PLATE,BRAKE SEAL			
34		P021-026382	1	GUARD COMP			
35	+	900330-40080	1	PIN F 4*8	4*8		
36		V203-001470	1	BOLT,ADHESIVE			
37		V450-001160	1	SPRING,COIL			
38		C345-000400	1	COVER BRAKE			
39		V202-000490	3	BOLT			
40		V303-000320	1	WASHER,CIRCULAR 5			
41		J211-000430	1	BUSH			
42		V203-001410	1	BOLT ADHESIVE			
43		V652-000150	1	GEAR			
44		C022-000121	1	AUTO-OILER ASSEMBLY			
45		V470-001840	1	PIPE			
46		C209-000070	1	STRAINER,OIL			
47		V490-000500	1	CLIP			
48		C211-000010	1	ELEMENT			
49		C236-000060	1	COVER,OILER			
50		V202-000520	3	BOLT,4			
51		X504-007440	1	LABEL,BRAND	390SX		
52		890316-39130	1	LABEL, CAUTION			
55		P021-026703	1	CLUTCH DRUM SET			
56	+	A556-001121	1	DRUM, CLUTCH			
57	+	175114-12530	1	SPROCKET, RIM .325			

5. CHAIN BRAKE



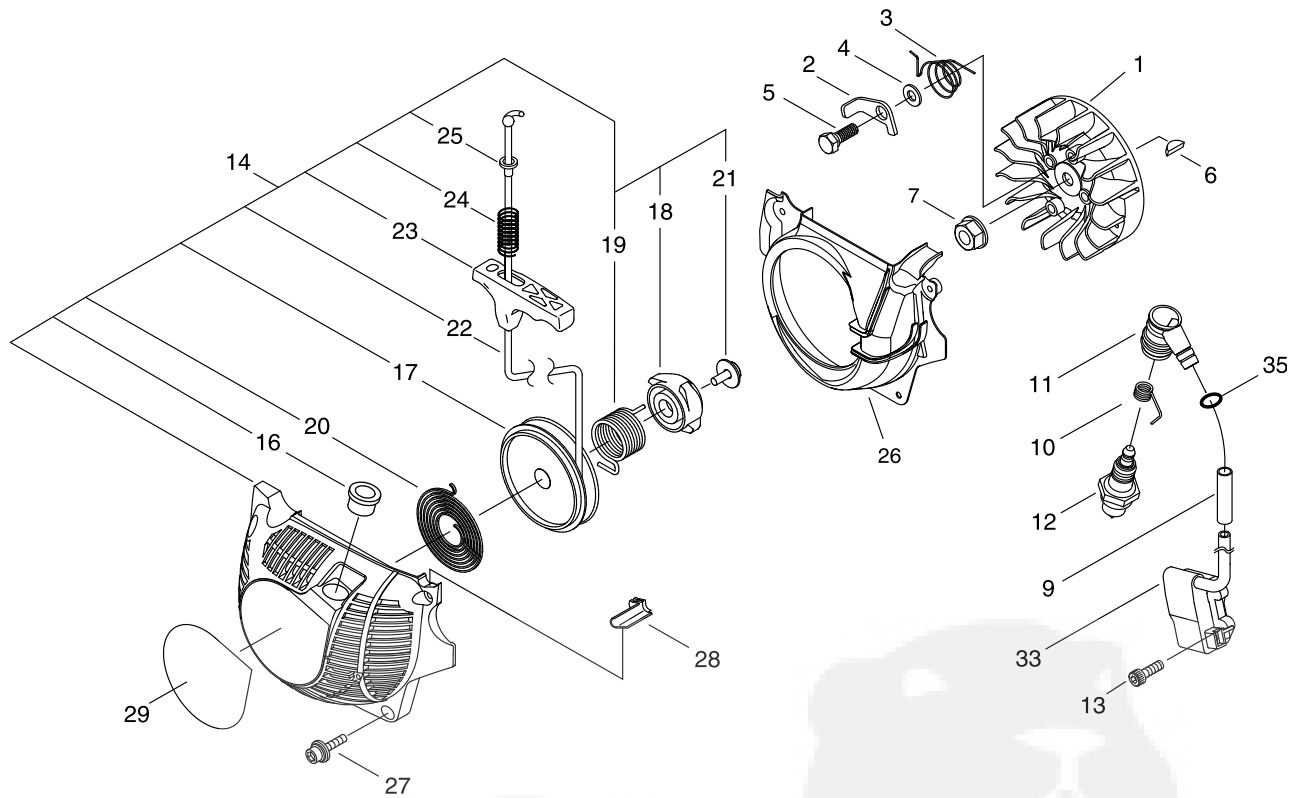
KEY	LV	PART NUMBER	Q'TY	DESCRIPTION	REMARKS	NOTE1	NOTE2
58	+	V307-000451	1	WASHER,CIRCULAR 10			
59	+	V265-000211	1	NUT,8			

6. RECOIL STARTER, MAGNETO



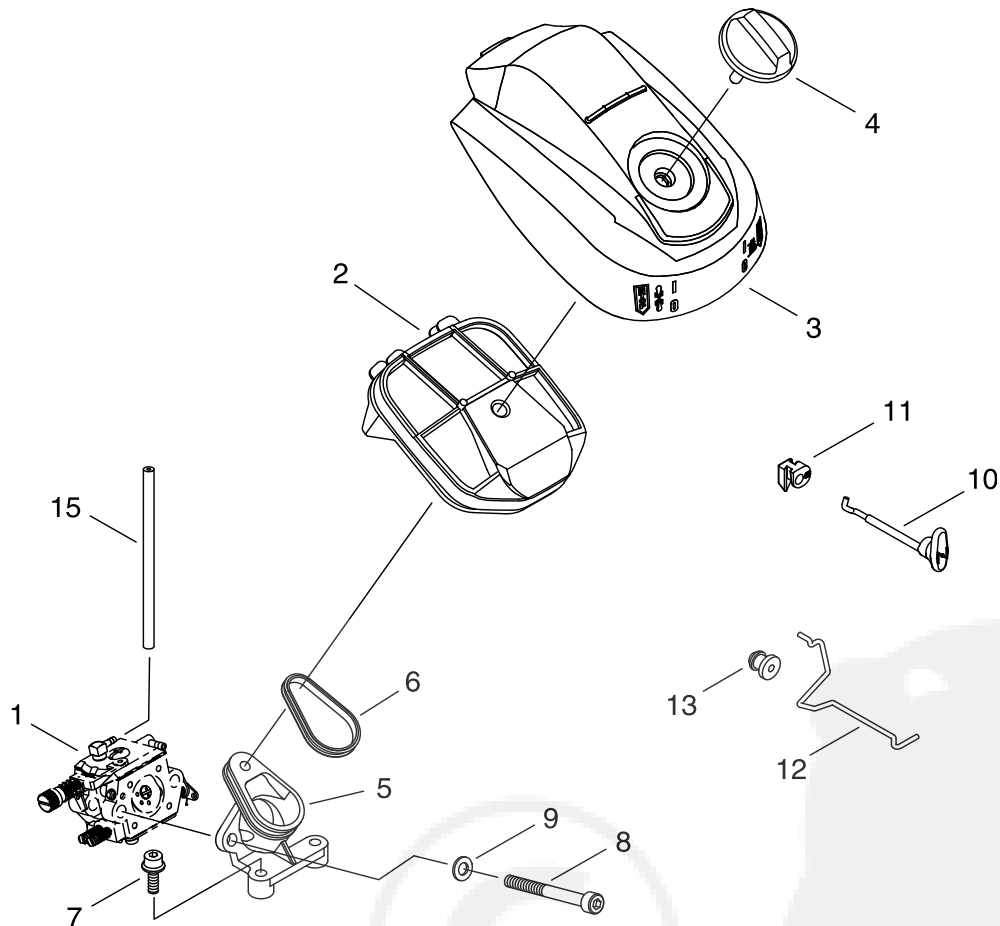
KEY	LV	PART NUMBER	Q'TY	DESCRIPTION	REMARKS	NOTE1	NOTE2
1		A409-001151	1	ROTOR,MAGNETO			
2		A514-000220	2	PAWL			
3		V452-000870	2	SPRING,TORSION			
4		V304-000270	2	WASHER,CIRCULAR 6			
5		V204-000620	2	BOLT			
6		93115-03010	1	KEY	3*10		
7		V265-000220	1	NUT			
9		V475-005180	1	TUBE			
10		A426-000040	1	TERMINAL,SPARKPLUG			
11		A427-000160	1	PLUG CAP			
12		A425-000000	1	SPARKPLUG	BPMR8Y		
13		V202-000540	2	BOLT,4			
14		A051-002260	1	STARTER,RECOIL ASY			
16	+	A510-000130	1	GUIDE,ROPE			
17	+	P022-035110	1	REEL			
18	+	A507-000080	1	CATCHER, PAWL			
19	+	P022-035120	1	SPRING,TORSION			
20	+	A504-000220	1	SPRING,RECOIL			
21	+	V253-000640	1	SCREW			
22	+	P022-035130	1	ROPE			
23	+	A511-000230	1	NOB			
24	+	V450-001170	1	SPRING,COMPRESSION			
25	+	V376-001400	1	SPACER			
26		A172-001870	1	COVER,FAN			
27		V202-000200	4	BOLT			

6. RECOIL STARTER, MAGNETO



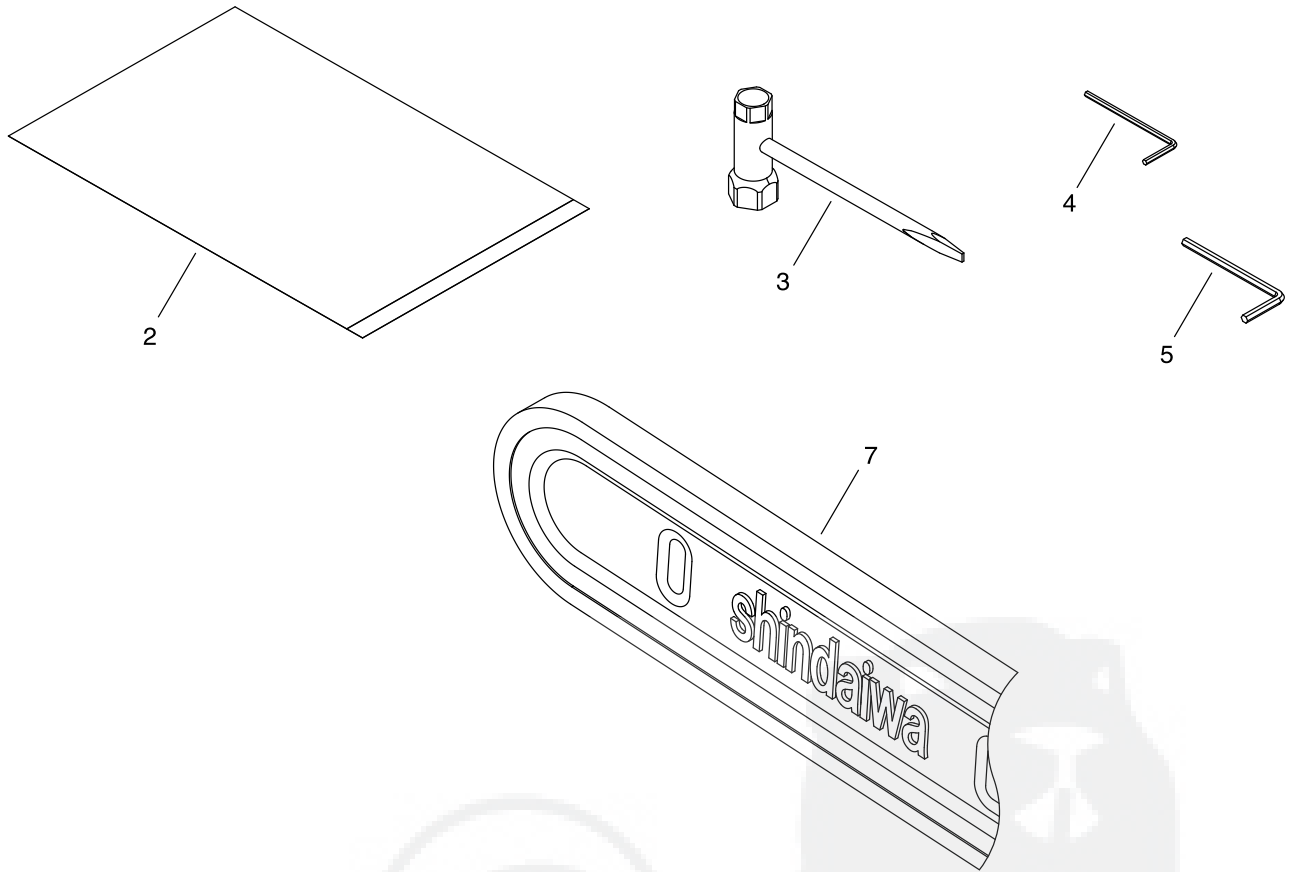
KEY	LV	PART NUMBER	Q'TY	DESCRIPTION	REMARKS	NOTE1	NOTE2
28		V131-000190	1	GROMMET,NEEDLE			
29		X504-007430	1	LABEL,BRAND	390SX		
33		P021-037431	1	COIL, IGNITION			
35		900720-20007	1	O-RING 7	P-7		

7. AIR CLEANER, CARBURETOR



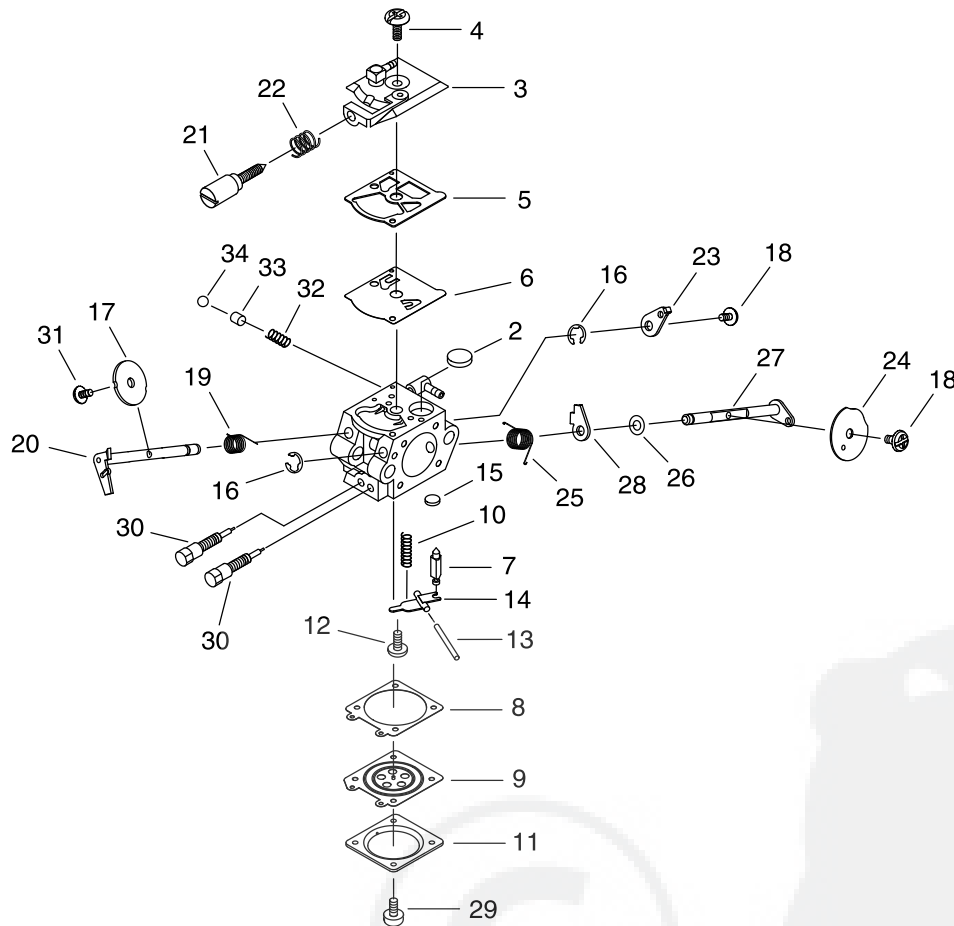
KEY	LV	PART NUMBER	Q'TY	DESCRIPTION	REMARKS	NOTE1	NOTE2
1		A021-004000	1	CARBURETOR,DIAPHRAGM	WT-1055		
2		A226-001580	1	ELEMENT,AIR FILTER	250メッシュ		
3		A232-001050	1	CLEANER COVER			
4		A235-000270	1	KNOB,CLEANER LID			
5		A204-000220	1	ELBOW, CARBURETOR			
6		V581-000280	1	GASKET			
7		V202-000200	2	BOLT			
8		91100-05048	2	BOLT			
9		900600-00005	2	WASHER 5	5		
10		A240-000111	1	ROD, CHOKE			
11		V130-000170	1	GROMMET,CHOKE			
12		C454-000280	1	ROD,THROTTLE			
13		V133-000040	1	GROMMET			
15		132010-56030	1	PIPE 3*6*110	3*6*110 NBR		

8. TOOLS



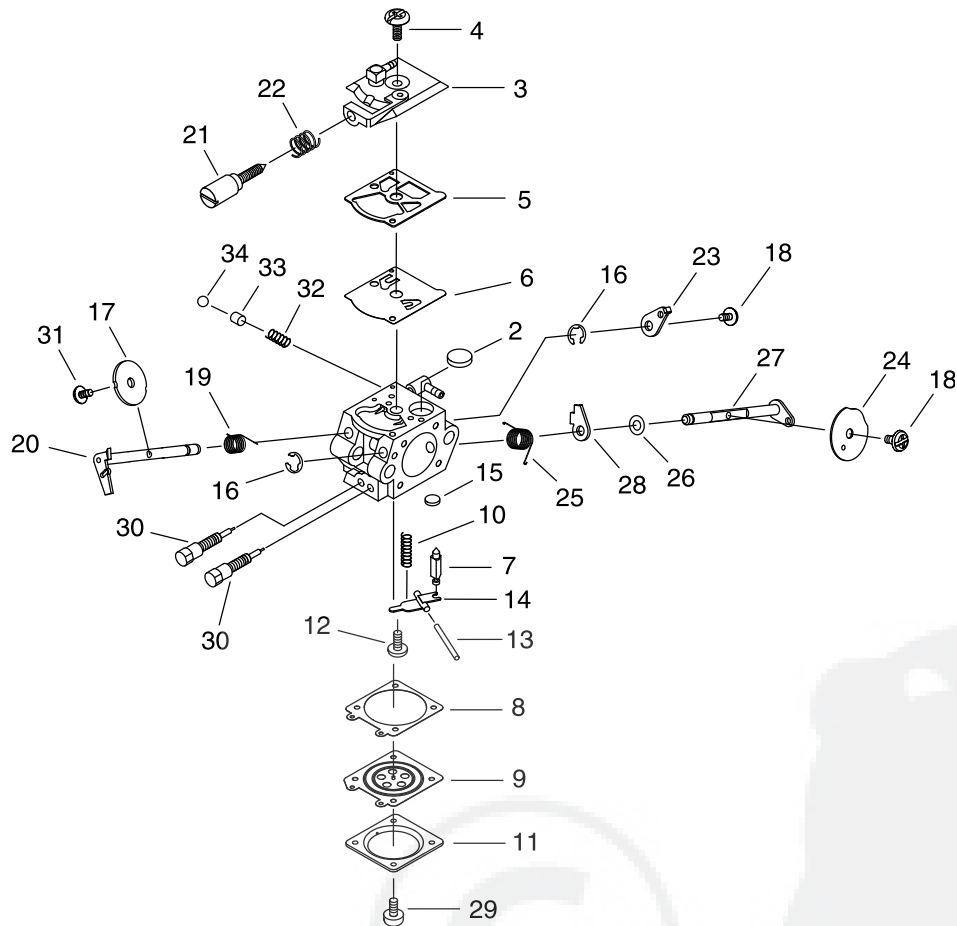
KEY	LV	PART NUMBER	Q'TY	DESCRIPTION	REMARKS	NOTE1	NOTE2
2		X705-000130	1	POLY BAG			
3		X602-000150	1	PLUG WRENCH			
4		X605-000090	1	HEXA WRENCH 4MM			
5		X605-000100	1	TOOL,L WRENCH	4MM M5		
7		X490-000300	1	CHAIN COVER			

9. CARBURETOR



KEY	LV	PART NUMBER	Q'TY	DESCRIPTION	REMARKS	NOTE1	NOTE2
		A021-004000	1	CARBURETOR,DIAPHRAGM	WT-1055		
2	+	123126-10631	1	SCREEN, INLET			
3	+	P003-004960	1	PUMP COVER ASSY			
4	+	123110-03930	1	SCREW, PUMP COVER			
5	+	123125-15030	1	GASKET, FUEL PUMP			
6	+	123112-15030	1	DIAPHRAGM, FUEL PUMP			
7	+	123137-19830	1	VALVE, INLET NEEDLE			
8	+	123140-27230	1	GASKET,M. DIAPHRAGM			
9	+	P003-001850	1	DIAPHRAGM, METERING			
10	+	123122-39830	1	SPRING, METER. LEVER			
11	+	123142-03930	1	COVER, M. DIAPHRAGM			
12	+	123139-03930	1	SCREW, M. LEVER PIN			
13	+	123138-03930	1	PIN, METERING LEVER			
14	+	123123-03930	1	LEVER, METERING			
15	+	123146-10631	1	PLUG, WELCH			
16	+	123127-15030	2	RING			
17	+	123116-10530	1	VALVE, THROTTLE			
18	+	123114-38830	2	SCREW			
19	+	123113-37530	1	SPRING, THROTTLE RTN			
20	+	P003-005230	1	SHAFT ASY,THROTTLE			
21	+	P003-004470	1	SCREW			
22	+	123133-04260	1	SPRING, IDLE ADJUST			
23	+	P003-003180	1	THROTTLE LEVER			
24	+	123132-37330	1	VALVE, CHOKE			
25	+	P003-002260	1	SPRING			

9. CARBURETOR



KEY	LV	PART NUMBER	Q'TY	DESCRIPTION	REMARKS	NOTE1	NOTE2
26	+	123149-26030	1	WASHER			
27	+	P003-003190	1	SHAFT			
28	+	P003-001510	1	LEVER-FAST IDLE			
29	+	123130-02960	4	SCREW			
30	+	P003-004460	2	NEEDLE			
31	+	P003-002380	1	SCREW			
32	+	123186-09660	1	SPRING, START VALVE			
33	+	123185-09660	1	PISTON ASSY			
34	+	123136-09660	1	BALL			

10. GUIDE BAR, CHAIN

GUIDE BAR		CHAIN	
1A	33LRY50D-325SD	2A	95VPX-56E
1B	38LRY50D-325SD	2B	95VPX-64E

KEY	LV	PART NUMBER	Q'TY	DESCRIPTION	REMARKS	NOTE1	NOTE2
1A		X122-000320	1	BAR,GUIDE 30	33LRY50D-325SD		
2A		X242-000000	1	CHAIN,SAW	95VPX-56E		
1B		X123-000520	1	BAR,GUIDE 35	38LRY50D-325SD		
2B		X243-000000	1	CHAIN,SAW	95VPX-64E		

Index

Patrs Number	Key No.	Patrs Number	Key No.	Patrs Number	Key No.
123110-03930	9 - 4	93042-40100	5 - 28	C304-000200	5 - 17
123112-15030	9 - 6	93042-40220	3 - 8	C305-000260	5 - 20
123113-37530	9 - 19	93060-40250	3 - 7	C305-000440	5 - 15
123114-38830	9 - 18	93115-03010	6 - 6	C309-000110	5 - 12
123116-10530	9 - 17	A011-000990	4 - 6	C310-000110	2 - 16
123122-39830	9 - 10	A021-004000	7 - 1	C328-000210	5 - 24
123123-03930	9 - 14	A021-004000	9 -	C328-000220	5 - 25
123125-15030	9 - 5	A033-000220	3 - 15	C334-000180	5 - 26
123126-10631	9 - 2	A051-002260	6 - 14	C334-000190	5 - 29
123127-15030	9 - 16	A056-000610	5 - 5	C334-000200	5 - 30
123130-02960	9 - 29	A100-001000	4 - 1	C345-000400	5 - 38
123132-37330	9 - 24	A101-000450	4 - 2	C347-000010	5 - 33
123133-04260	9 - 22	A160-002580	3 - 1	C403-000530	3 - 13
123136-09660	9 - 34	A172-001870	6 - 26	C411-000130	3 - 12
123137-19830	9 - 7	A200-000852	1 - 7	C450-000641	3 - 9
123138-03930	9 - 13	A202-000240	1 - 5	C454-000280	7 - 12
123139-03930	9 - 12	A204-000220	7 - 5	C460-000310	3 - 11
123140-27230	9 - 8	A219-000040	3 - 2	J211-000430	5 - 41
123142-03930	9 - 11	A226-001580	7 - 2	P003-001510	9 - 28
123146-10631	9 - 15	A232-001050	7 - 3	P003-001850	9 - 9
123149-26030	9 - 26	A235-000270	7 - 4	P003-002260	9 - 25
123185-09660	9 - 33	A240-000111	7 - 10	P003-002380	9 - 31
123186-09660	9 - 32	A300-001691	1 - 9	P003-003180	9 - 23
131205-19832	3 - 19	A301-000060	1 - 16	P003-003190	9 - 27
131300-56431	3 - 24	A310-000450	1 - 15	P003-004460	9 - 30
132010-56030	7 - 15	A313-001880	1 - 11	P003-004470	9 - 21
175114-12530	5 - 57	A313-001890	1 - 10	P003-004960	9 - 3
437239-14730	2 - 9	A356-000130	2 - 4	P003-005230	9 - 20
890316-39130	5 - 52	A409-001151	6 - 1	P021-026382	5 - 34
890345-39230	3 - 32	A425-000000	6 - 12	P021-026703	5 - 55
900105-04006	1 - 17	A426-000040	6 - 10	P021-035121	3 - 17
900105-05012	5 - 18	A427-000160	6 - 11	P021-037400	2 - 21
900105-05016	2 - 15	A504-000220	6 - 20	P021-037431	6 - 33
900105-05018	1 - 3	A507-000080	6 - 18	P021-040192	3 - 6
900105-05030	2 - 17	A510-000130	6 - 16	P021-040340	1 - 1
900212-04008	2 - 26	A511-000230	6 - 23	P021-040381	2 - 1
900253-04008	5 - 21	A514-000220	6 - 2	P022-035110	6 - 17
900330-30120	5 - 31	A552-000230	5 - 7	P022-035120	6 - 19
900330-40080	2 - 10	A552-000240	5 - 9	P022-035130	6 - 22
900330-40080	5 - 35	A555-000210	5 - 6	V100-000750	1 - 2
900600-00005	2 - 18	A556-001121	5 - 56	V102-000142	2 - 13
900600-00005	7 - 9	C020-000040	2 - 19	V104-001581	1 - 13
900603-00004	2 - 25	C022-000121	5 - 44	V107-000070	3 - 16
900720-20007	6 - 35	C040-000511	3 - 4	V107-000090	2 - 20
91100-05048	7 - 8	C209-000070	5 - 46	V130-000170	7 - 11
91142-05008	2 - 29	C211-000010	5 - 48	V131-000190	6 - 28
91381-04010	5 - 27	C236-000060	5 - 49	V133-000040	7 - 13
91449-04022	3 - 14	C300-000601	5 - 19	V141-000100	2 - 24
91578-04006	1 - 12	C302-000030	5 - 22	V152-002430	5 - 13

Index


Patrs Number	Key No.	Patrs Number	Key No.	Patrs Number	Key No.
V202-000200	1 - 8	V490-000500	5 - 47		
V202-000200	3 - 3	V505-000070	2 - 3		
V202-000200	6 - 27	V508-000070	2 - 7		
V202-000200	7 - 7	V555-000140	4 - 5		
V202-000260	3 - 27	V555-000150	5 - 10		
V202-000350	1 - 4	V580-000010	4 - 4		
V202-000490	5 - 39	V581-000280	7 - 6		
V202-000520	5 - 50	V592-000310	2 - 2		
V202-000540	6 - 13	V592-000320	2 - 6		
V203-001400	2 - 12	V608-000070	4 - 3		
V203-001410	5 - 42	V629-000000	2 - 11		
V203-001450	2 - 14	V651-000790	5 - 14		
V203-001470	5 - 36	V652-000150	5 - 43		
V203-001480	3 - 30	X122-000320	10 - 1A		
V203-001490	3 - 5	X123-000520	10 - 1B		
V203-001880	1 - 14	X242-000000	10 - 2A		
V204-000620	6 - 5	X243-000000	10 - 2B		
V225-000150	2 - 8	X490-000300	8 - 7		
V253-000610	5 - 11	X504-007430	6 - 29		
V253-000640	6 - 21	X504-007440	5 - 51		
V265-000200	5 - 23	X602-000150	8 - 3		
V265-000211	5 - 59	X605-000090	8 - 4		
V265-000220	6 - 7	X605-000100	8 - 5		
V266-000090	2 - 34	X705-000130	8 - 2		
V303-000320	5 - 40				
V304-000270	6 - 4				
V307-000451	5 - 58				
V353-000460	2 - 32				
V355-000460	2 - 27				
V359-000380	1 - 6				
V376-001400	6 - 25				
V400-000080	3 - 26				
V401-000290	3 - 28				
V420-002740	2 - 31				
V420-002770	2 - 30				
V420-002810	3 - 25				
V421-000070	3 - 29				
V423-000080	2 - 28				
V450-001160	5 - 37				
V450-001170	6 - 24				
V451-000930	5 - 8				
V452-000850	3 - 10				
V452-000860	5 - 32				
V452-000870	6 - 3				
V470-001520	3 - 18				
V470-001530	3 - 23				
V470-001840	5 - 45				
V475-005180	6 - 9				
V490-000500	3 - 22				

YAMABIKO CORPORATION

7-2 SUEHIROCHO 1-CHOME, OHME, TOKYO 198-8760, JAPAN
PHONE: 81-428-32-6118. FAX: 81-428-32-6145.

The logo consists of a stylized 'S' inside a circle, followed by the word 'shindaiwa' in a bold, lowercase sans-serif font with a registered trademark symbol.

shindaiwa[®]

A large, faint, light-gray illustration of a beaver-like animal, likely the Shindaiwa mascot, sitting upright and facing forward. It has a large, bushy tail and a friendly expression.

12Lb
No. 05-121