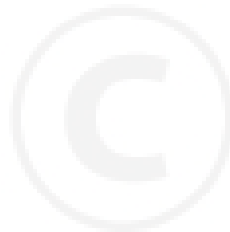


shindaiwa

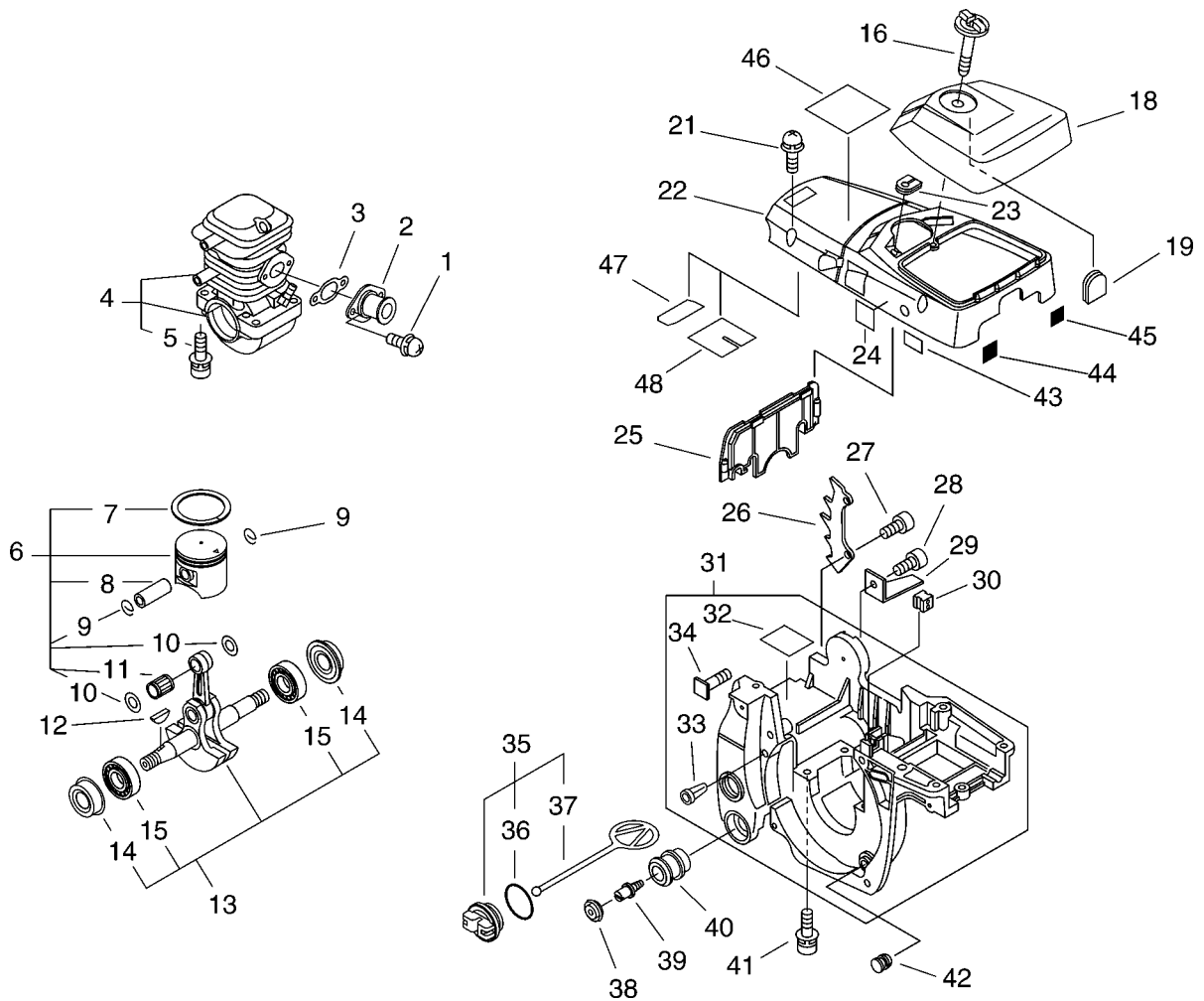
PARTS CATALOGUE

CHAIN SAW

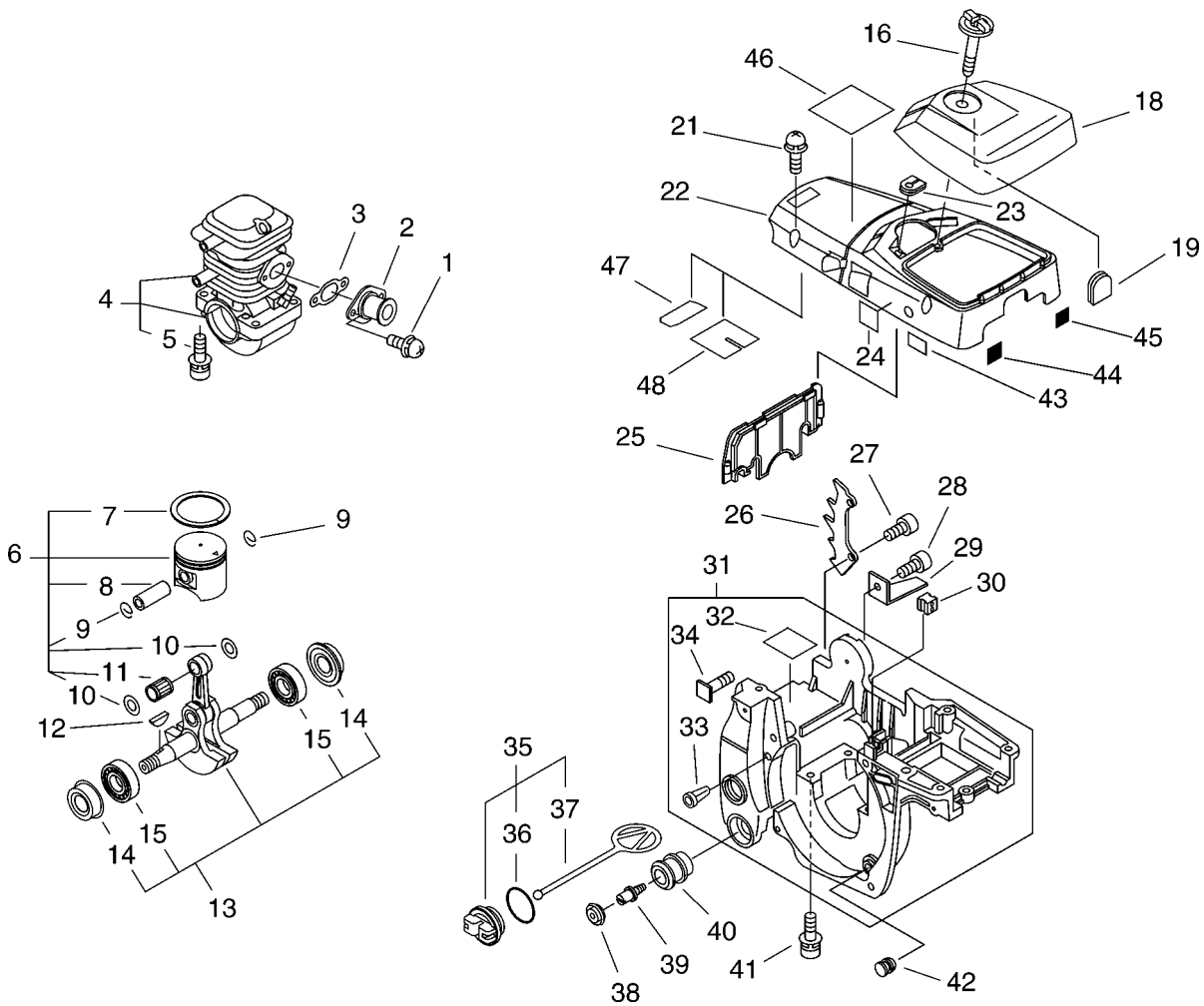
363s



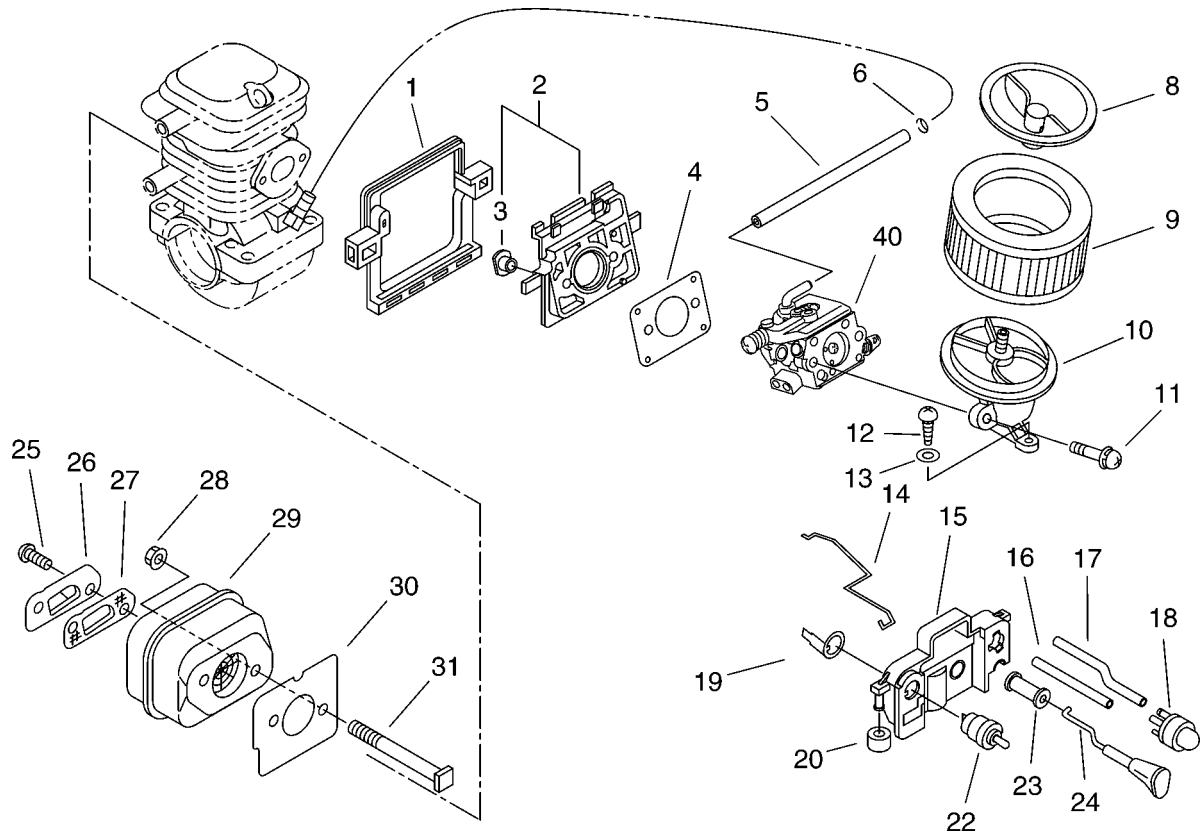
CE



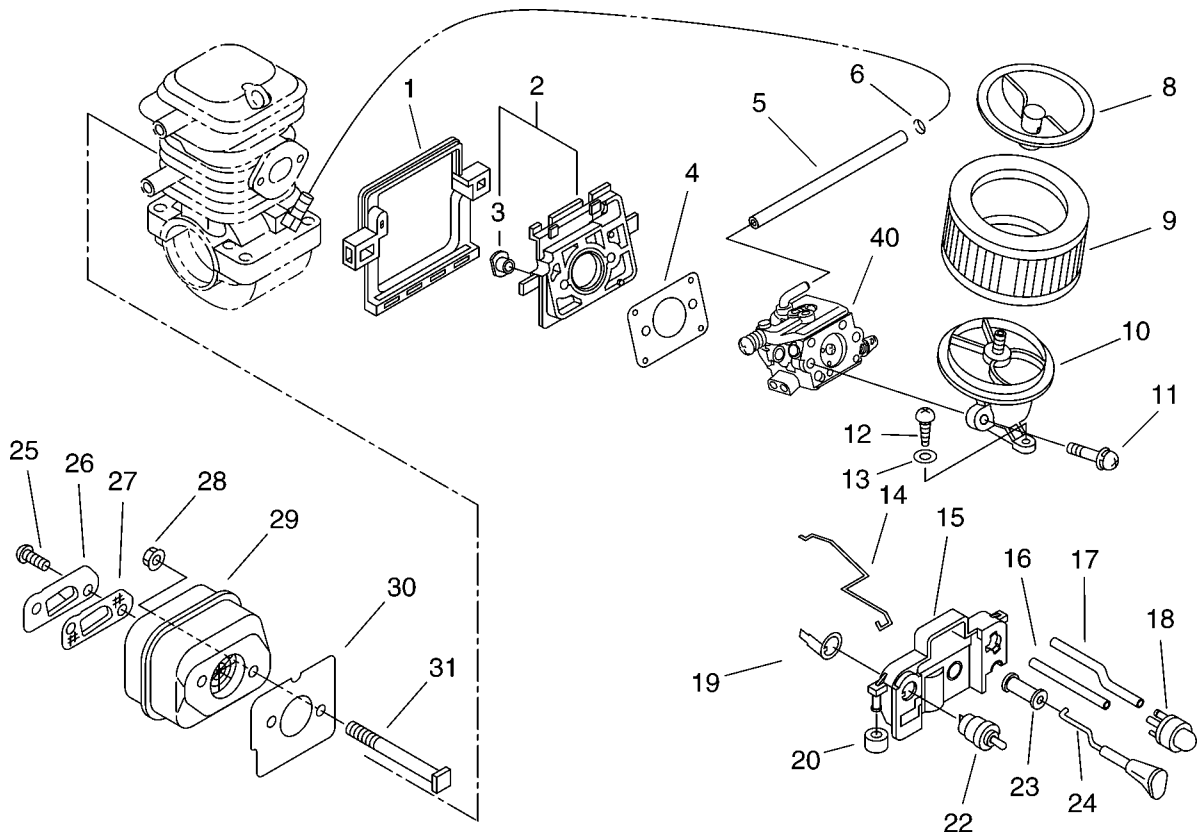
| KEY | LV | PART NUMBER | Q'TY | DESCRIPTION | REMARKS |
|-----|----|--------------|------|---------------------|---------|
| 1 | | 900238-05014 | 2 | SCREW 5*14 | |
| 2 | | A202-000060 | 1 | BELLOWS, INTAKE | |
| 3 | | V103-000290 | 1 | GASKET,INTAKE | |
| 4 | | P021-009823 | 1 | CRANKCASE SET | |
| 5 | + | 900162-05022 | 4 | BOLT, H.S. 5*22 | |
| 6 | | P021-009830 | 1 | PISTON KIT | |
| 7 | + | A101-000110 | 1 | RING,PISTON | |
| 8 | + | 100013-27430 | 1 | PIN, PISTON | |
| 9 | + | 100015-03931 | 2 | CIRCLIP, PISTON PIN | |
| 10 | + | 100014-53630 | 2 | SPACER, PISTON PIN | |
| 11 | + | 100012-16131 | 1 | BEARING, NEEDLE | |
| 12 | | 100142-12330 | 1 | KEY, WOODRUFF | |
| 13 | | P021-012140 | 1 | CRANKSHAFT ASY | |
| 14 | + | V505-000010 | 2 | SEAL,OIL 12 | |
| 15 | + | 900888-36201 | 2 | BEARING, BALL 6201 | |
| 16 | | A235-000000 | 1 | KNÖB,CLEANER LID | |
| 18 | | A232-000540 | 1 | LID,CLEANER | |
| 19 | | 130338-32430 | 1 | PLUG, COVER | |
| 21 | | 900238-05020 | 3 | SCREW 5*20 | |
| 22 | | A160-001220 | 1 | COVER,CYLINDER | |
| 23 | | V135-000010 | 1 | GROMMET,HT CORD | |
| 24 | | 890631-38130 | 1 | LABEL, CAUTION | |
| 25 | | A209-000000 | 1 | PLATE,INSULATOR | |
| 26 | | C304-000010 | 1 | SPIKED | |



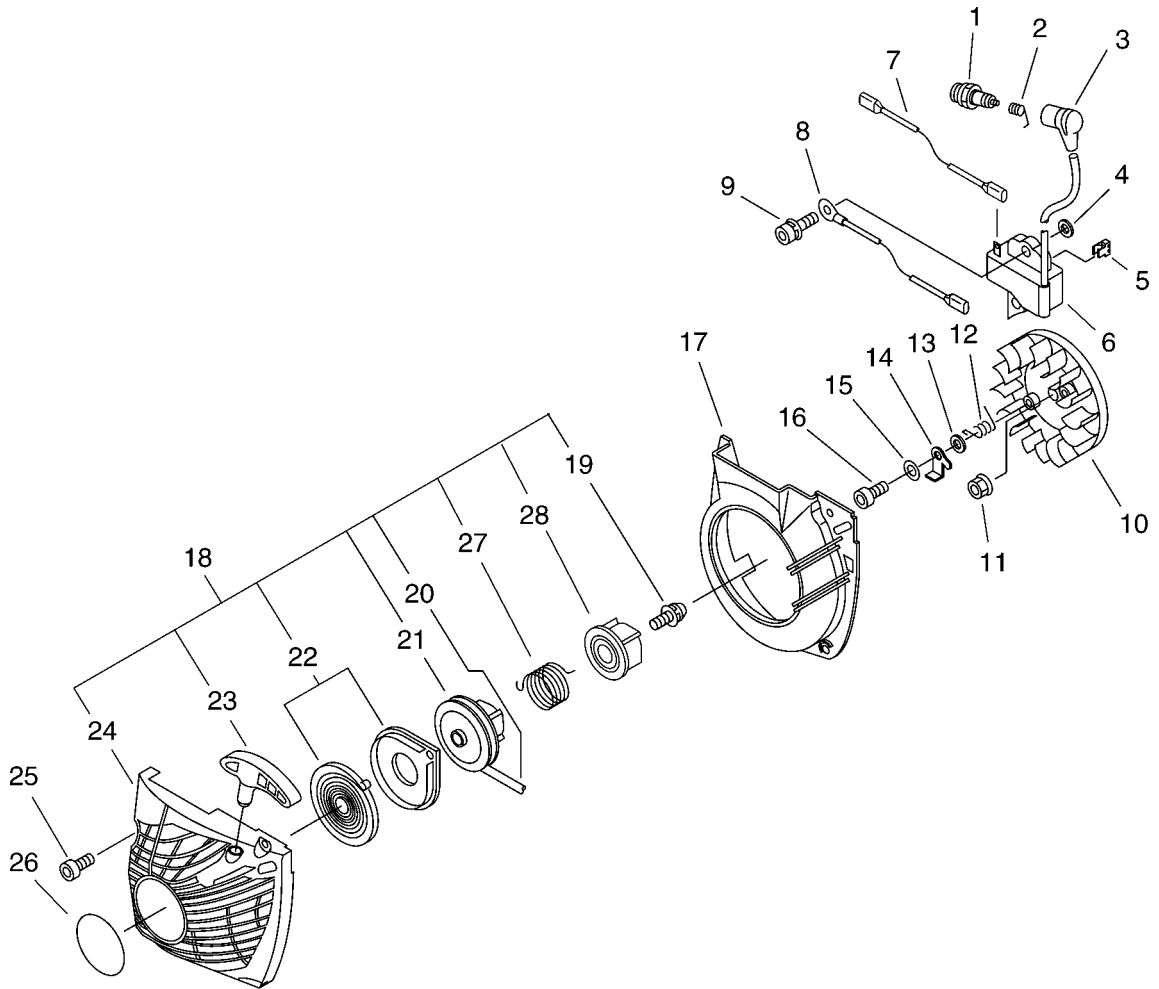
| KEY | LV | PART NUMBER | Q'TY | DESCRIPTION | REMARKS |
|-----|----|--------------|------|------------------|---------|
| 27 | | 91145-05020 | 2 | BOLT HS TAPPING | |
| 28 | | 91145-05016 | 1 | BOLT HS TAPPING | |
| 29 | | C310-000000 | 1 | CATCHER, CHAIN | |
| 30 | | 150114-04920 | 1 | BUSHING | |
| 31 | | P021-016780 | 1 | COVER ENGINE ASY | |
| 32 | + | V341-000050 | 1 | WASHER, SQUARE | |
| 33 | + | 436114-13930 | 1 | VALVE, CHECK | |
| 34 | + | 433011-19830 | 2 | STUD, GUIDE BAR | |
| 35 | | P021-007630 | 1 | CAP ASY, TANK | |
| 36 | + | 900721-00025 | 1 | O-RING 25 | |
| 37 | + | A365-000050 | 1 | CONNECTOR, CAP | |
| 38 | | 100918-15130 | 2 | CAP | |
| 39 | | 100915-33930 | 2 | SCREW | |
| 40 | | 100910-60030 | 2 | CUSHION | |
| 41 | | 900162-05030 | 4 | BOLT, H.S. 5*30 | |
| 42 | | V420-001250 | 2 | CUSHION | |
| 44 | | 890157-39130 | 1 | LABEL, SWITCH | |
| 45 | | X524-001900 | 1 | LABEL | |
| 46 | | 890345-39230 | 1 | LABEL, CAUTION | |
| 47 | | V341-000070 | 1 | WASHER, SQUARE | |
| 48 | | V341-000060 | 1 | WASHER, SQUARE | |



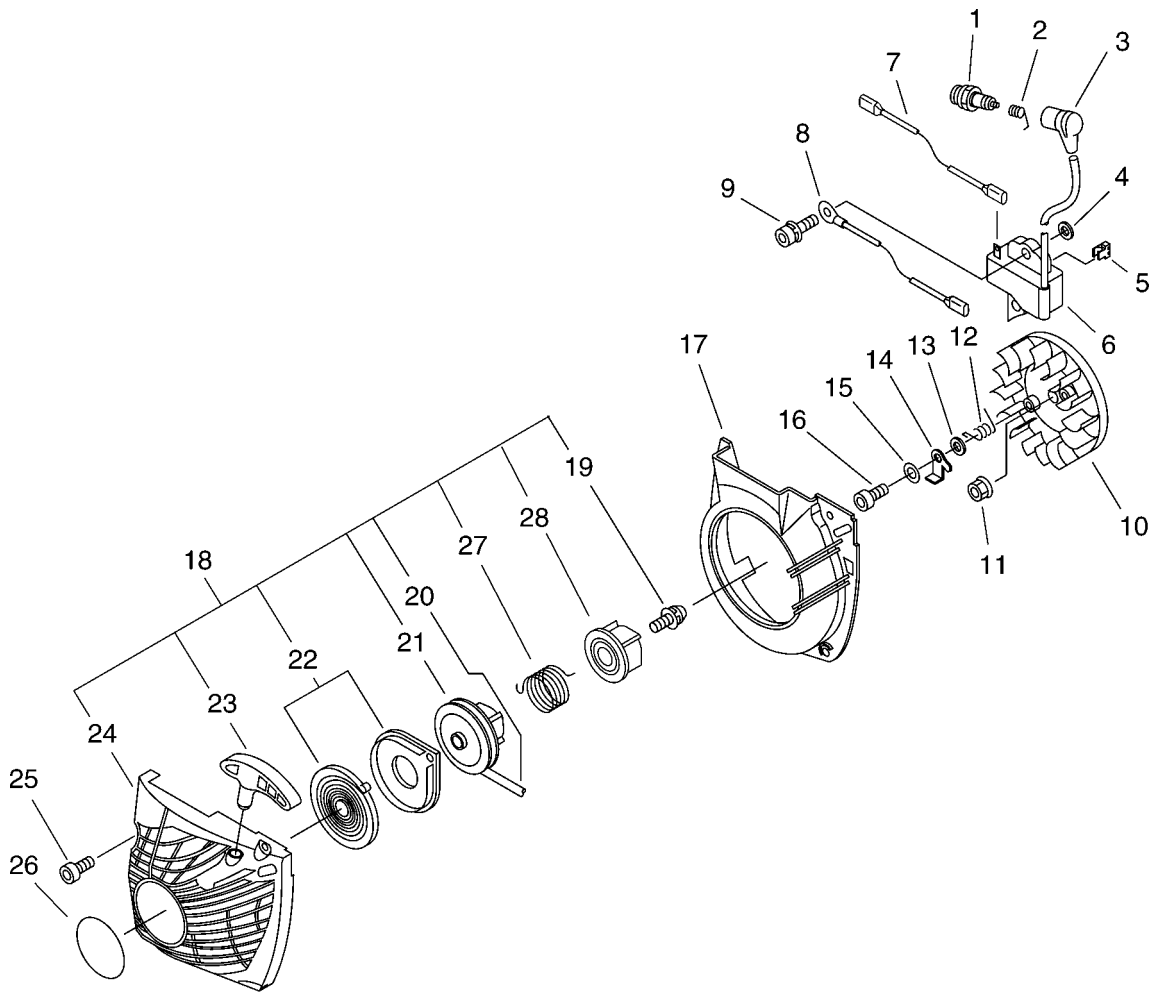
| KEY | LV | PART NUMBER | Q'TY | DESCRIPTION | REMARKS |
|-----|----|--------------|------|----------------------|---------|
| 1 | | V420-001420 | 1 | CUSHION | |
| 2 | | 130007-39932 | 1 | INSULATOR | |
| 3 | + | 130020-33330 | 2 | NUT | |
| 4 | | V103-000280 | 1 | GASKET,INTAKE | |
| 5 | | V471-001600 | 1 | PIPE | |
| 6 | | 132013-09820 | 1 | CLIP | |
| 8 | | 130405-38332 | 1 | BRACKET, AIR CLEANER | |
| 9 | | 130300-39730 | 1 | CLEANER ASM., AIR | |
| 10 | | 130301-39935 | 1 | ADAPTER, INTAKE | |
| 11 | | 900238-05050 | 2 | SCREW 5*50 | |
| 12 | | 900253-05020 | 1 | SCREW 5*20 | |
| 13 | | 900600-00005 | 1 | WASHER 5 | |
| 14 | | C454-000100 | 1 | ROD, THROTTLE | |
| 15 | | A439-000430 | 1 | BRACKET, SWITCH | |
| 16 | | V471-001280 | 1 | PIPE | |
| 17 | | V471-001470 | 1 | PIPE | |
| 18 | | 123181-39130 | 1 | PUMP, PRIMER | |
| 19 | | V486-000021 | 1 | TERMINAL, LEAD | |
| 20 | | 351134-39930 | 2 | CUSHION | |
| 22 | | 163400-38330 | 1 | SWITCH, IGNITION | |
| 23 | | 178810-14534 | 1 | GROMMET | |
| 24 | | A241-000200 | 1 | KNOB, CHOKE | |
| 25 | | 900220-04008 | 2 | SCREW 4*8 | |
| 26 | | A313-000760 | 1 | GUIDE, EXHAUST | |



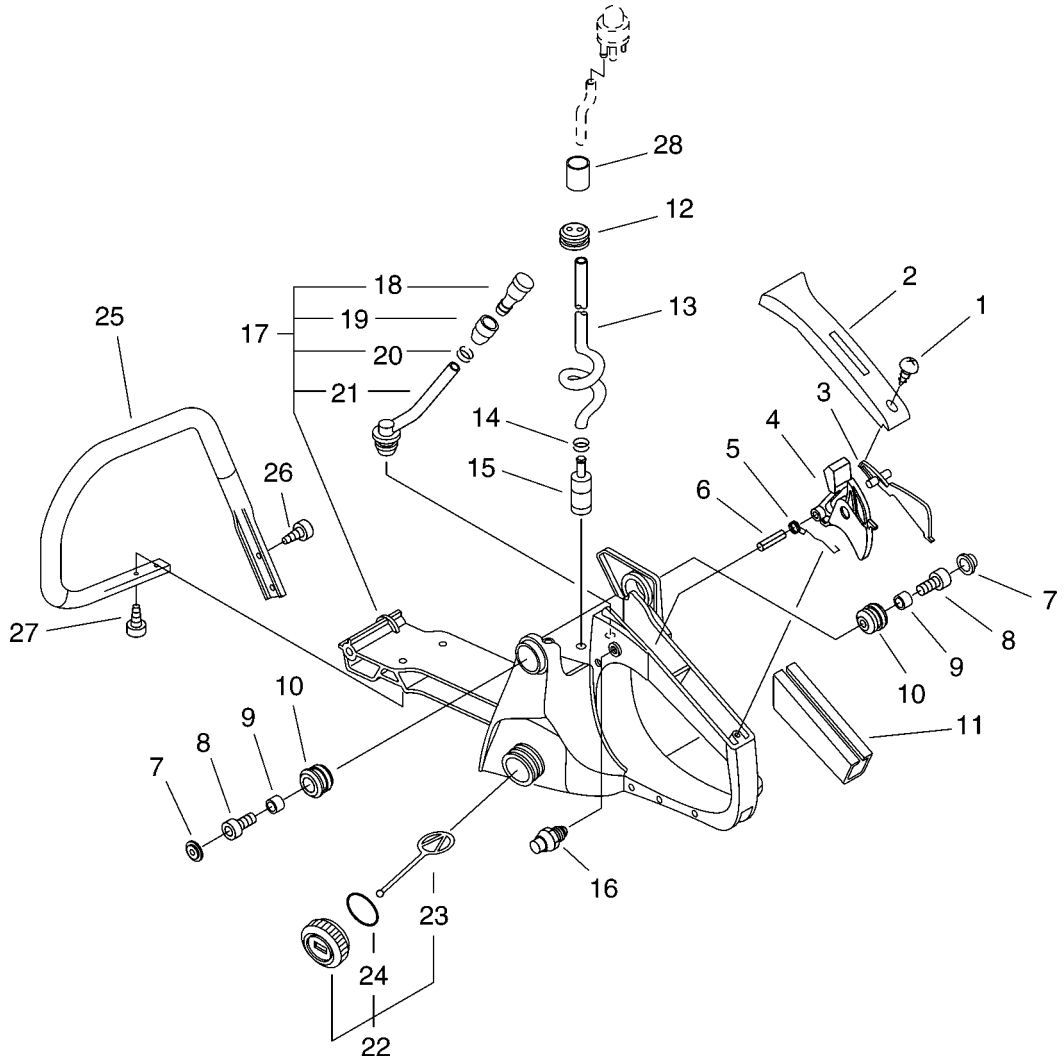
| KEY | LV | PART NUMBER | Q'TY | DESCRIPTION | REMARKS |
|-----|----|--------------|------|-----------------------|---------|
| 27 | | A310-000060 | 1 | SCREEN, ARRESTOR | |
| 28 | | 900516-00005 | 2 | NUT, FRANGE 5 | |
| 29 | | A300-000620 | 1 | MUFFLER, EXHAUST | |
| 30 | | V104-000731 | 1 | GASKET, EXHAUST | |
| 31 | | V203-000120 | 2 | BOLT, 5 | |
| 40 | | A021-001790 | 1 | CARBURETOR, DIAPHRAGM | |



| KEY | LV | PART NUMBER | Q'TY | DESCRIPTION | REMARKS |
|-----|----|--------------|------|---------------------|---------|
| 1 | | A425-000000 | 1 | SPARKPLUG | |
| 2 | | A426-000010 | 1 | TERMINAL, SPARKPLUG | |
| 3 | | A427-000013 | 1 | CAP, SPARK PLUG | |
| 4 | | 150117-16430 | 2 | SPACER | |
| 5 | | V490-000310 | 1 | CLIP | |
| 6 | | A411-000264 | 1 | COIL, IGNITION | |
| 7 | | V485-000680 | 1 | LEAD | |
| 8 | | V485-000620 | 1 | LEAD | |
| 9 | | 900162-05020 | 2 | BOLT, H.S. 5*20 | |
| 10 | | A409-000272 | 1 | ROTOR, MAGNETO | |
| 11 | | 900515-00008 | 1 | NUT, FLANGE 8 | |
| 12 | | 177234-35430 | 2 | SPRING, RETURN | |
| 13 | | 177247-04630 | 2 | SPACER, RATCHET | |
| 14 | | A514-000050 | 2 | PAWL | |
| 15 | | 900603-00005 | 2 | WASHER 5 | |
| 16 | | V203-000090 | 2 | BOLT, 5 | |
| 17 | | A172-000572 | 1 | COVER, FAN | |
| 18 | | A051-001450 | 1 | STARTER, RECOIL | |
| 19 | + | 177236-61830 | 1 | SCREW | |
| 20 | + | P022-008440 | 1 | ROPE, STARTER | |
| 21 | + | A506-000080 | 1 | REEL, ROPE | |
| 22 | + | P022-010440 | 1 | SPRING KIT, REWIND | |
| 23 | + | P022-005891 | 1 | GRIP, STARTER | |
| 24 | + | A500-000421 | 1 | CASE, STARTER | |

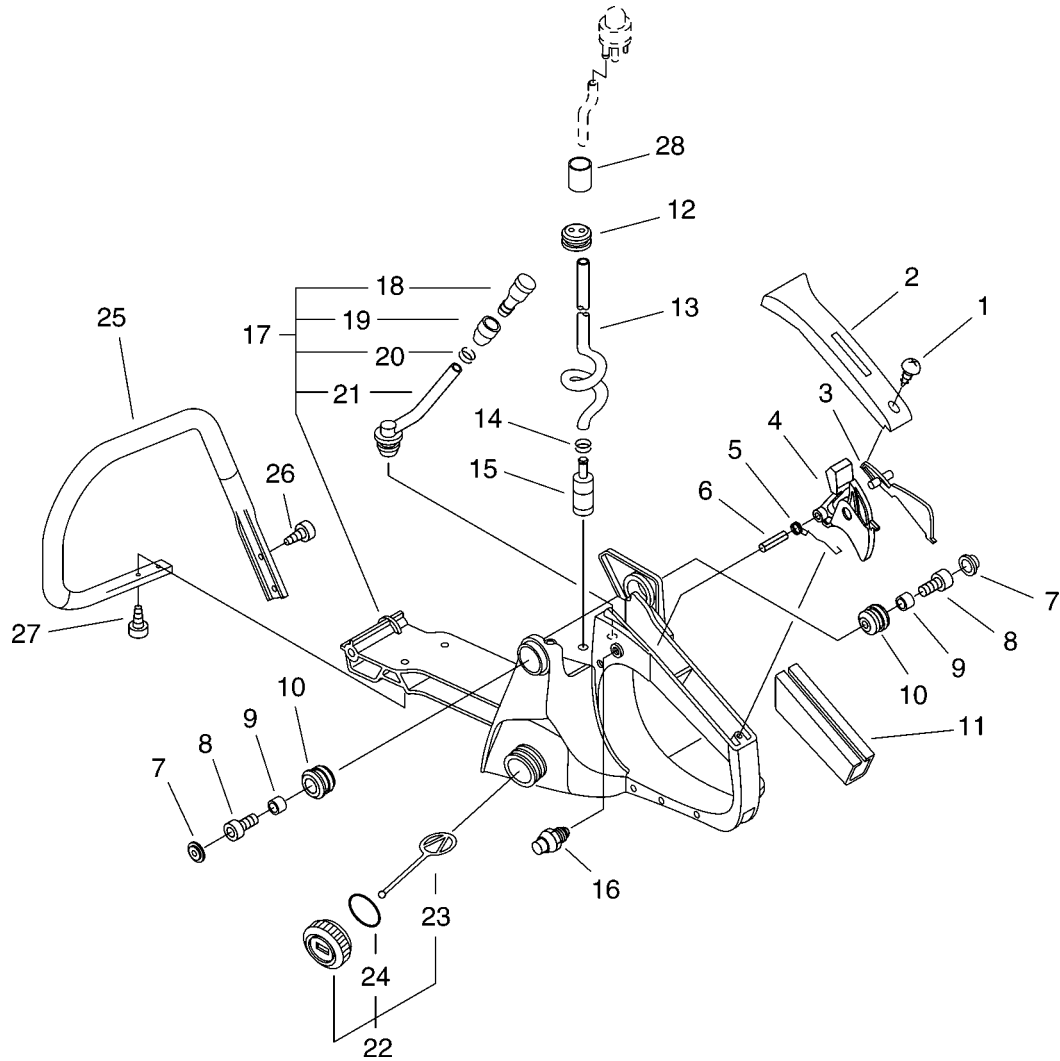


| KEY | LV | PART NUMBER | Q'TY | DESCRIPTION | REMARKS |
|-----|----|-------------|------|-----------------|---------|
| 27 | + | V452-000220 | 1 | SPRING,TORSION | |
| 28 | + | P022-022000 | 1 | CATCHER,PAWL | |
| 25 | | 91145-05020 | 4 | BOLT HS TAPPING | |
| 26 | | X503-009890 | 1 | LABEL,MODEL | |

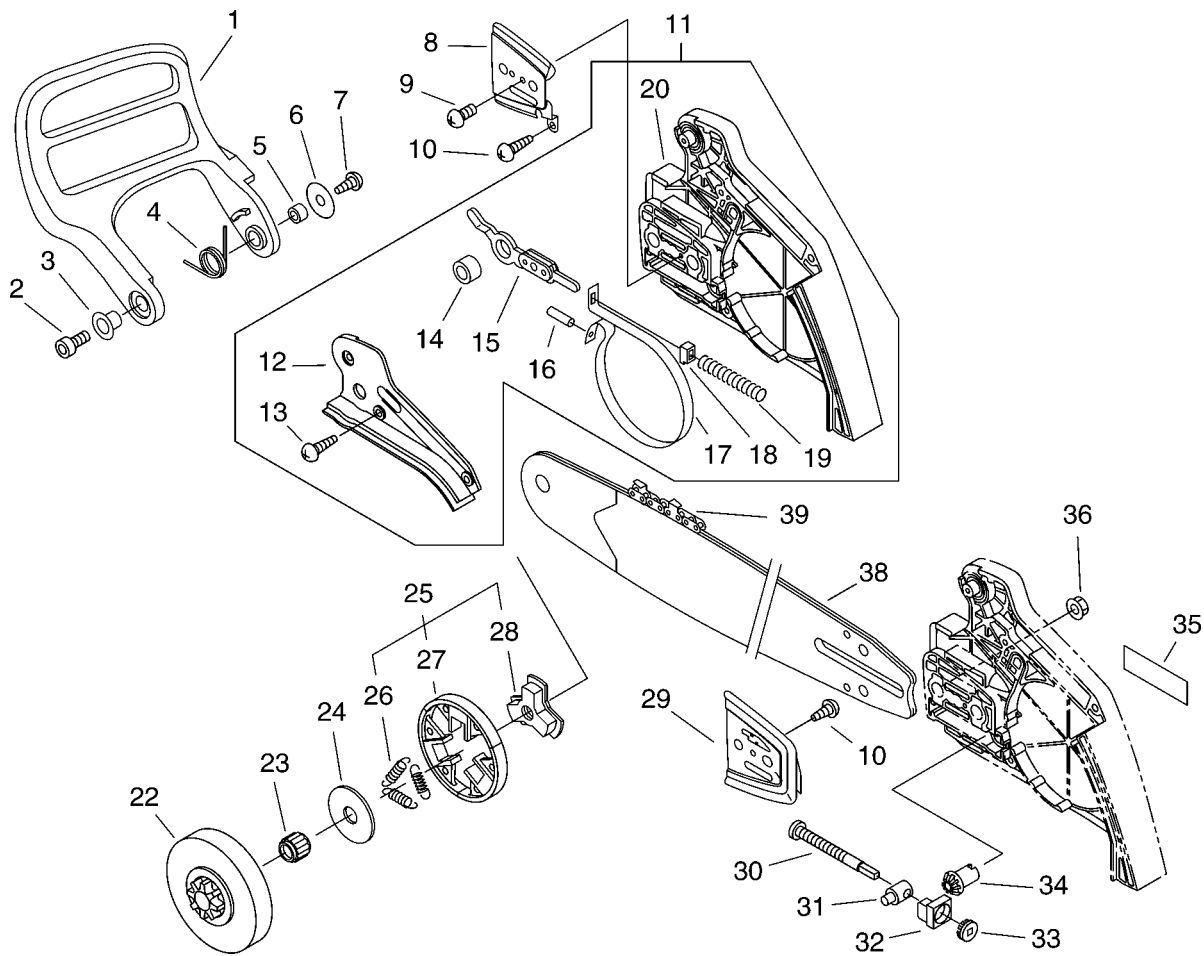


| KEY | LV | PART NUMBER | Q'TY | DESCRIPTION | REMARKS |
|-----|----|--------------|------|---------------------|---------|
| 1 | | 900253-04014 | 1 | SCREW 4*14 | |
| 2 | | C411-000060 | 1 | LID,HANDLE | |
| 3 | | C460-000150 | 1 | LOCKOUT,THROTTLE | |
| 4 | | C450-000212 | 1 | CONTROL, THROTTLE | |
| 5 | | V452-000260 | 1 | SPRING,TORSION | |
| 6 | | 900345-40030 | 1 | PIN, SPRING 4*30SUS | |
| 7 | | 100918-15130 | 2 | CAP | |
| 8 | | 91100-04022 | 2 | BOLT | |
| 9 | | V352-000070 | 2 | COLLAR,4 | |
| 10 | | V400-000051 | 2 | CUSHION,4 | |
| 11 | | 351111-19830 | 1 | GRIP, HANDLE | |
| 12 | | 132115-44330 | 1 | GROMMET | |
| 13 | | 132010-00760 | 1 | PIPE, FUEL | |
| 14 | | 132013-09820 | 1 | CLIP | |
| 15 | | 131205-19831 | 1 | STRAINER, FUEL | |
| 16 | | V162-000040 | 1 | PLUG | |
| 17 | | P021-016820 | 1 | HANDLE SET, REAR | |
| 18 | + | 131300-56430 | 1 | VALVE, CHECK | |
| 19 | + | 131328-40630 | 1 | COVER, VENT | |
| 20 | + | 132013-26630 | 1 | CLIP | |
| 21 | + | 132012-39931 | 1 | PIPE | |
| 22 | | P021-016790 | 1 | FUEL CAP ASY | |
| 23 | + | A365-000050 | 1 | CONNECTOR,CAP | |
| 24 | + | 900720-00022 | 1 | O-RING 22 | |

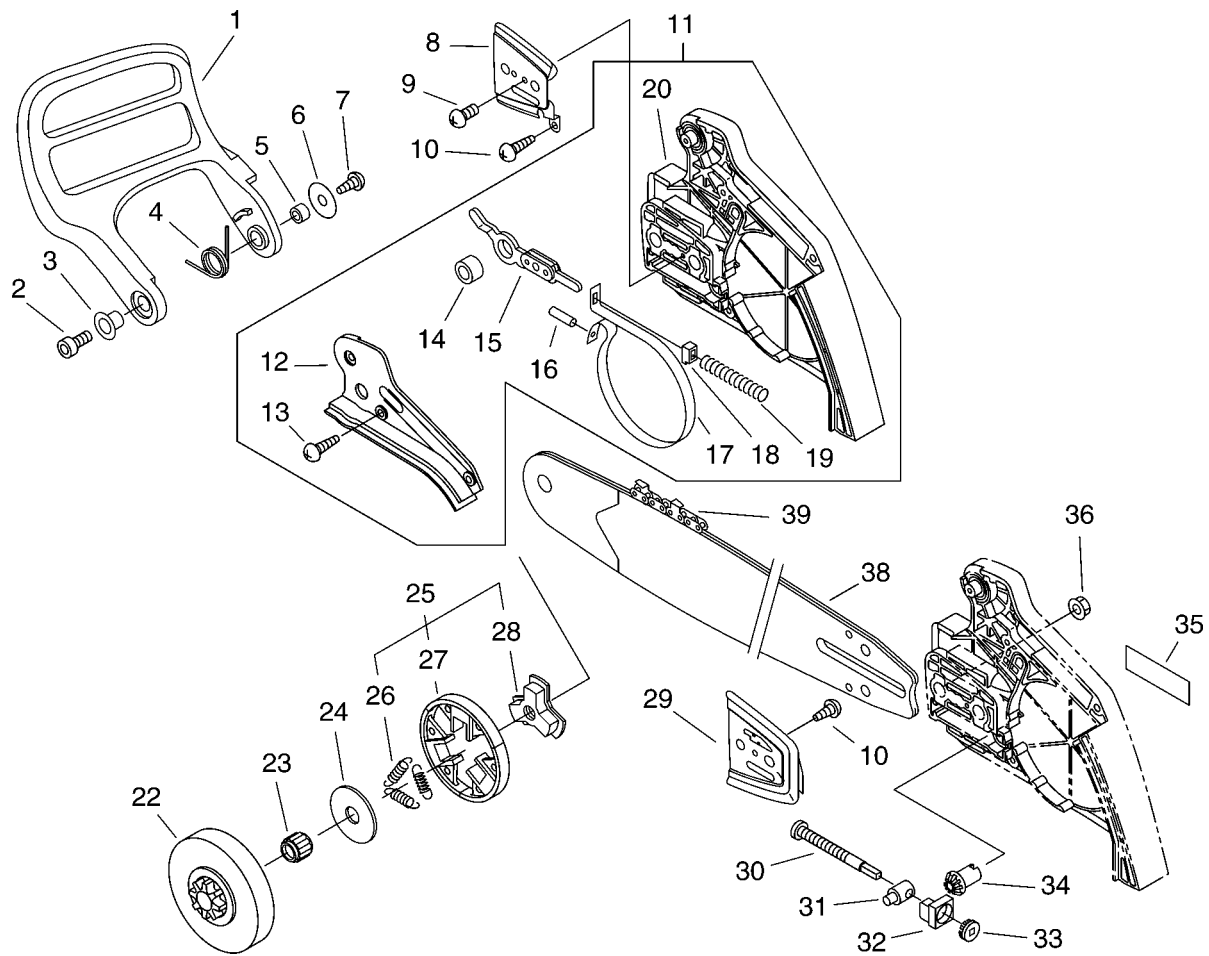
4 Handle



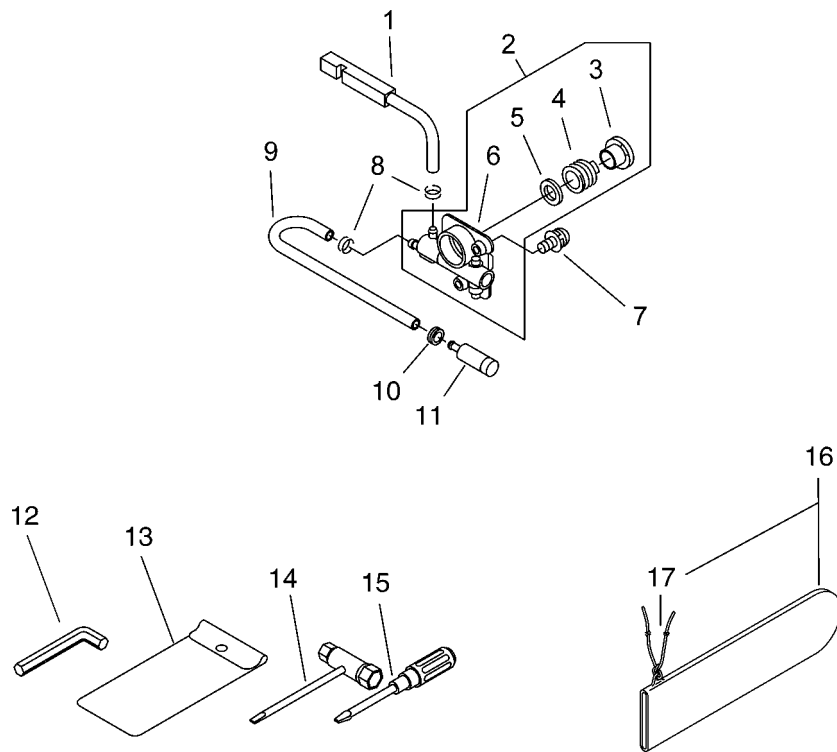
| KEY | LV | PART NUMBER | Q'TY | DESCRIPTION | REMARKS |
|-----|----|-------------|------|-----------------|---------|
| 25 | | C400-000430 | 1 | HANDLE, FRONT | |
| 26 | | 91145-05020 | 2 | BOLT HS TAPPING | |
| 27 | | 91145-05016 | 2 | BOLT HS TAPPING | |
| 28 | | V475-003970 | 1 | TUBE | |



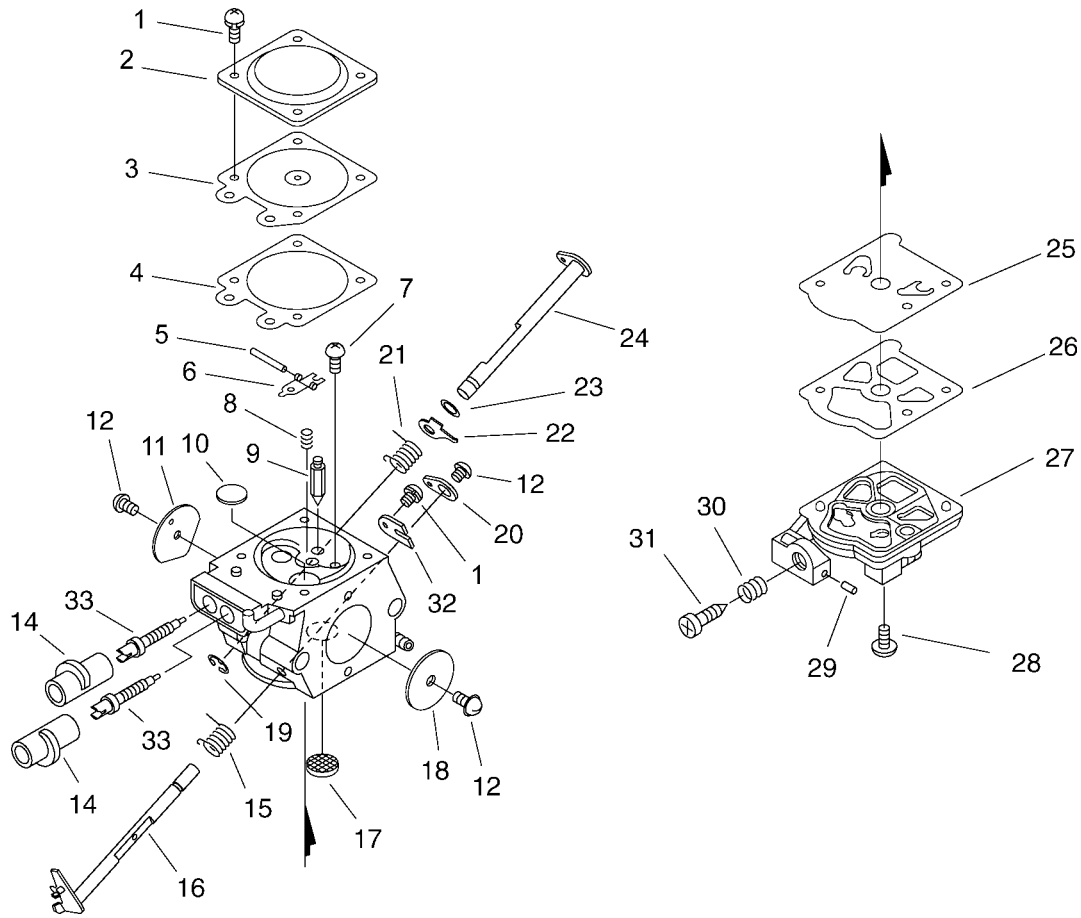
| KEY | LV | PART NUMBER | Q'TY | DESCRIPTION | REMARKS |
|-----|----|--------------|------|-----------------------|---------|
| 1 | | C320-000112 | 1 | LEVER, BRAKE | |
| 2 | | 91145-05016 | 1 | BOLT HS TAPPING | |
| 3 | | V356-000300 | 1 | COLLAR,10 | |
| 4 | | V452-000250 | 1 | SPRING,TORSION | |
| 5 | | 433116-35430 | 1 | SPACER 8 | |
| 6 | | 177214-03930 | 1 | WASHER | |
| 7 | | V202-000070 | 1 | BOLT,4 | |
| 8 | | C305-000012 | 1 | PLATE, SPROCKET GUARD | |
| 9 | | 900220-03006 | 1 | SCREW 3*6 | |
| 10 | | V202-000060 | 2 | BOLT,4 | |
| 11 | | P021-016810 | 1 | BRAKE ASY, CHAIN | |
| 12 | + | C345-000360 | 1 | COVER,BRAKE | |
| 13 | + | V202-000060 | 3 | BOLT,4 | |
| 14 | + | 433116-35430 | 1 | SPACER 8 | |
| 15 | + | C334-000090 | 1 | CONNECTOR, BRAKE | |
| 16 | + | 93050-30098 | 1 | ROLLER | |
| 17 | + | C328-000080 | 1 | BAND, BRAKE | |
| 18 | + | V376-000450 | 1 | SPACER | |
| 19 | + | V450-000070 | 1 | SPRING, COMPRESSION | |
| 20 | + | C300-000470 | 1 | GUARD, SPROCKET | |
| 22 | | A556-000400 | 1 | DRUM, CLUTCH | |



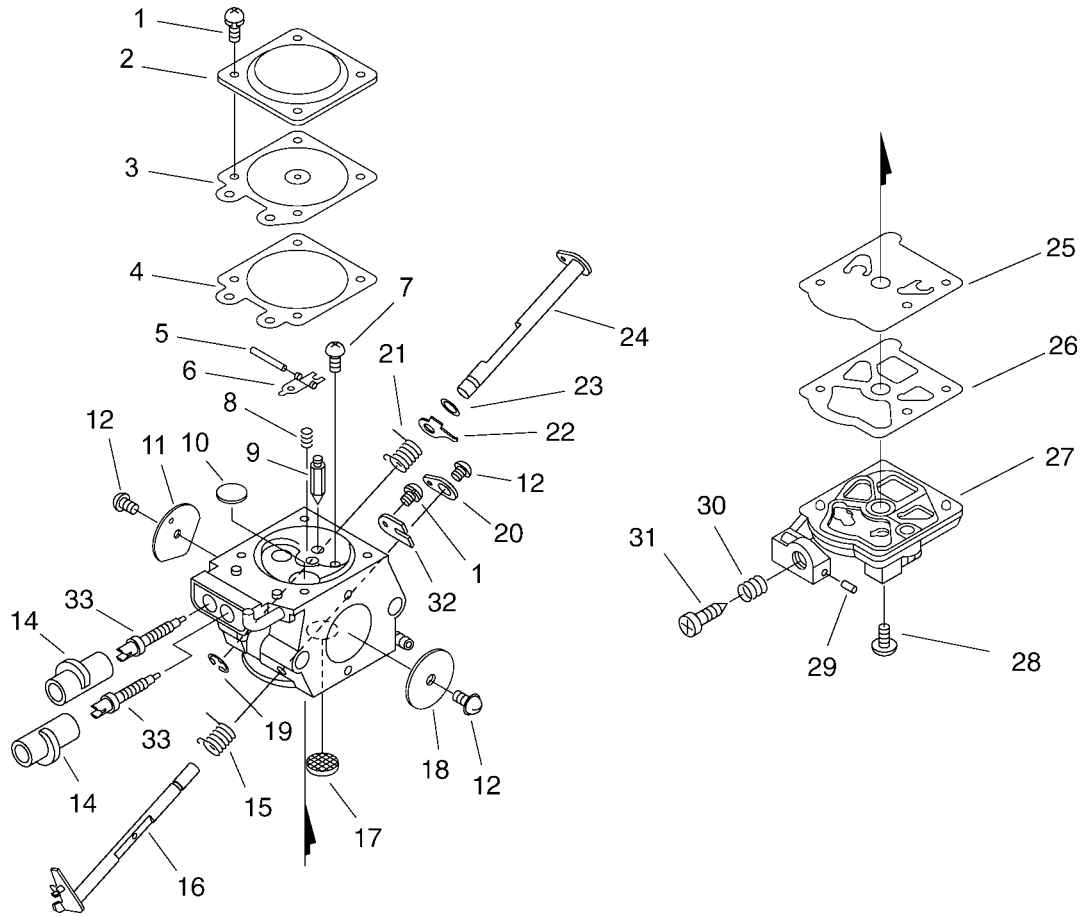
| KEY | LV | PART NUMBER | QTY | DESCRIPTION | REMARKS |
|-----|----|--------------|-----|---------------------|---------|
| 23 | | 175012-00831 | 1 | BEARING, NEEDLE | |
| 24 | | 175019-39430 | 1 | PLATE, CLUTCH | |
| 25 | | A056-000180 | 1 | CLUTCH ASY | |
| 26 | + | V451-000500 | 3 | SPRING, TENSION | |
| 27 | + | P021-007050 | 1 | CLUTCH SHOE SET | |
| 28 | + | A552-000070 | 1 | HUB, CLUTCH | |
| 29 | | 433012-39930 | 1 | PLATE, GUIDE | |
| 30 | | V203-000110 | 1 | BOLT, 5 | |
| 31 | | C309-000030 | 1 | TENSIONER, CHAIN | |
| 32 | | V355-000270 | 1 | COLLAR, 8 | |
| 33 | | V651-000011 | 1 | GEAR, BEVEL | |
| 34 | | V651-000001 | 1 | GEAR, BEVEL | |
| 35 | | X504-000950 | 1 | LABEL, BRAND | |
| 36 | | 433019-12330 | 2 | NUT, FLANGE 8 | |
| 38 | | X124-000210 | 1 | BAR, GUIDE 40 | |
| 39 | | 431011-39431 | 1 | CHAIN, SAW 91VX-58E | |



| KEY | LV | PART NUMBER | Q'TY | DESCRIPTION | REMARKS |
|-----|----|--------------|------|---------------------|---------|
| 1 | | 437210-39931 | 1 | PIPE | |
| 2 | | P021-010890 | 1 | AUTO-OILER ASY | |
| 3 | + | V356-000290 | 1 | COLLAR,10 | |
| 4 | + | V652-000030 | 1 | GEAR,WORM | |
| 5 | + | V308-000030 | 1 | WASHER,CIRCULAR 11 | |
| 6 | + | C022-000020 | 1 | AUTO-OILER ASSEMBLY | |
| 7 | | 900238-04012 | 2 | SCREW 4*12 | |
| 8 | | 132013-26630 | 2 | CLIP | |
| 9 | | 437210-35430 | 1 | PIPE | |
| 10 | | 132115-12330 | 1 | GROMMET | |
| 11 | | 436205-14730 | 1 | STRAINER, OIL | |
| 12 | | 895610-00130 | 1 | L-WRENCH (4MM) | |
| 13 | | 898510-39130 | 1 | BAG, TOOL | |
| 14 | | X602-000080 | 1 | TOOL,WRENCH | |
| 15 | | 895812-03930 | 1 | DRIVER, SCREW 50 | |
| 16 | | P021-005750 | 1 | SCABBARD,CHAIN | |
| 17 | + | A509-000020 | 1 | ROPE | |



| KEY | LV | PART NUMBER | Q'TY | DESCRIPTION | REMARKS |
|-----|----|--------------|------|----------------------|---------|
| | | A021-001790 | 1 | CARBURETOR,DIAPHRAGM | |
| 1 | + | 123130-02960 | 5 | SCREW | |
| 2 | + | 123142-03930 | 1 | COVER, M. DIAPHRAGM | |
| 3 | + | 123141-03930 | 1 | DIAPHRAGM, METERING | |
| 4 | + | 123140-03930 | 1 | GASKET, M. DIAPHRAGM | |
| 5 | + | 123138-03930 | 1 | PIN, METERING LEVER | |
| 6 | + | 123123-03930 | 1 | LEVER, METERING | |
| 7 | + | 123139-03930 | 1 | SCREW, M. LEVER PIN | |
| 8 | + | 123122-39330 | 1 | SPRING, METER. LEVER | |
| 9 | + | 123137-19830 | 1 | VALVE, INLET NEEDLE | |
| 10 | + | 123146-10631 | 1 | PLUG, WELCH | |
| 11 | + | P003-001790 | 1 | VALVE, CHOKE | |
| 12 | + | 123114-38830 | 3 | SCREW | |
| 14 | + | P003-000010 | 2 | LIMITER CAP | |
| 15 | + | 123113-37530 | 1 | SPRING, THROTTLE RTN | |
| 16 | + | P003-001810 | 1 | SHAFT ASY,THROTTLE | |
| 17 | + | 123126-10631 | 1 | SCREEN, INLET | |
| 18 | + | 123116-10530 | 1 | VALVE, THROTTLE | |
| 19 | + | 123127-15030 | 1 | RING | |
| 20 | + | P003-001780 | 1 | LEVER, THROTTLE | |
| 21 | + | P003-000140 | 1 | SPRING | |
| 22 | + | P003-001510 | 1 | LEVER-FAST IDLE | |
| 23 | + | 123149-26030 | 1 | WASHER | |
| 24 | + | P003-000150 | 1 | CHOKE, SHAFT | |
| 25 | + | 123112-15030 | 1 | DIAPHRAGM, FUEL PUMP | |



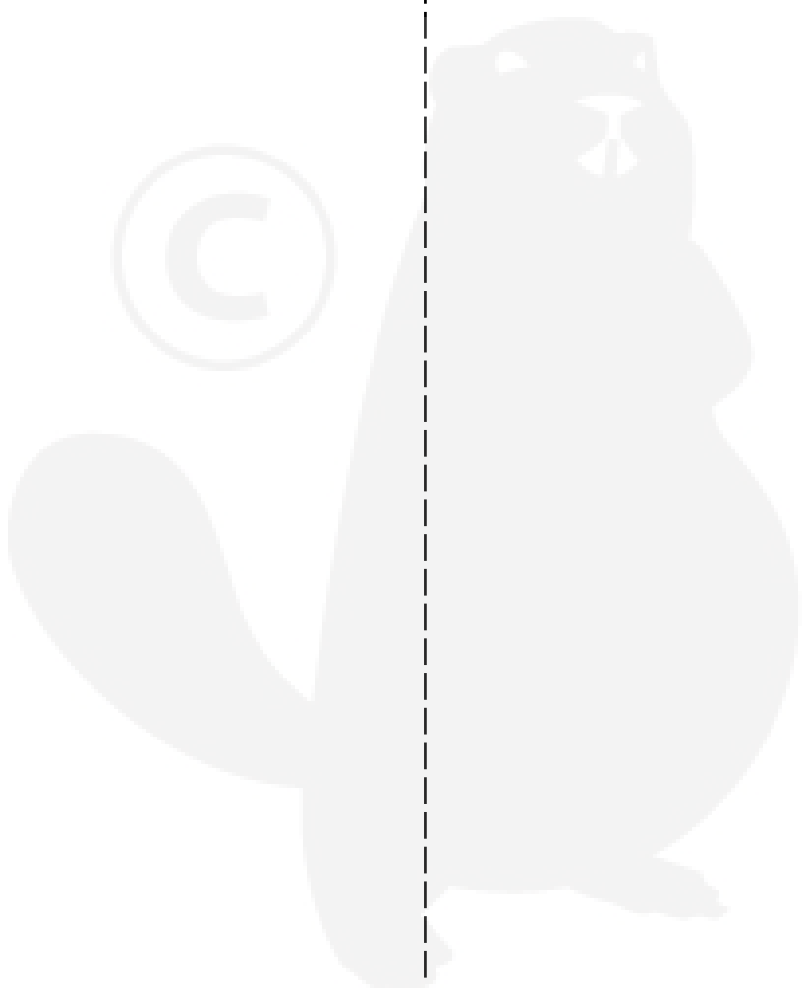
| KEY | LV | PART NUMBER | Q'TY | DESCRIPTION | REMARKS |
|-----|----|--------------|------|----------------------|---------|
| 26 | + | 123125-15030 | 1 | GASKET, FUEL PUMP | |
| 27 | + | 123124-38330 | 1 | COVER, FUEL PUMP | |
| 28 | + | 123110-03930 | 1 | SCREW, PUMP COVER | |
| 29 | + | 123178-15030 | 1 | PLUG, FRICTION | |
| 30 | + | 123133-04260 | 1 | SPRING, IDLE ADJUST | |
| 31 | + | 123134-04260 | 1 | SCREW, IDLE ADJUST | |
| 32 | + | 123127-03930 | 1 | CLIP, THROTTLE SHAFT | |
| 33 | + | P003-002270 | 2 | NEEDLE | |

Index

| Parts Number | Key No. | Parts Number | Key No. | Parts Number | Key No. |
|---------------------|----------------|---------------------|----------------|---------------------|----------------|
| A021-001790 | 2 - 40 | P003-001790 | 7 - 11 | V475-003970 | 4 - 28 |
| A021-001790 | 7 - | P003-001810 | 7 - 16 | V485-000620 | 3 - 8 |
| A051-001450 | 3 - 18 | P003-002270 | 7 - 33 | V485-000680 | 3 - 7 |
| A056-000180 | 5 - 25 | P021-005750 | 6 - 16 | V486-000021 | 2 - 19 |
| A101-000110 | 1 - 7 | P021-007050 | 5 - 27 | V490-000310 | 3 - 5 |
| A160-001220 | 1 - 22 | P021-007630 | 1 - 35 | V505-000010 | 1 - 14 |
| A172-000572 | 3 - 17 | P021-009823 | 1 - 4 | V651-000001 | 5 - 34 |
| A202-000060 | 1 - 2 | P021-009830 | 1 - 6 | V651-000011 | 5 - 33 |
| A209-000000 | 1 - 25 | P021-010890 | 6 - 2 | V652-000030 | 6 - 4 |
| A232-000540 | 1 - 18 | P021-012140 | 1 - 13 | X124-000210 | 5 - 38 |
| A235-000000 | 1 - 16 | P021-016780 | 1 - 31 | X503-009890 | 3 - 26 |
| A241-000200 | 2 - 24 | P021-016790 | 4 - 22 | X504-000950 | 5 - 35 |
| A300-000620 | 2 - 29 | P021-016810 | 5 - 11 | X524-001900 | 1 - 45 |
| A310-000060 | 2 - 27 | P021-016820 | 4 - 17 | X602-000080 | 6 - 14 |
| A313-000760 | 2 - 26 | P022-005891 | 3 - 23 | 100012-16131 | 1 - 11 |
| A365-000050 | 1 - 37 | P022-008440 | 3 - 20 | 100013-27430 | 1 - 8 |
| A365-000050 | 4 - 23 | P022-010440 | 3 - 22 | 100014-53630 | 1 - 10 |
| A409-000272 | 3 - 10 | P022-022000 | 3 - 28 | 100015-03931 | 1 - 9 |
| A411-000264 | 3 - 6 | V103-000280 | 2 - 4 | 100142-12330 | 1 - 12 |
| A425-000000 | 3 - 1 | V103-000290 | 1 - 3 | 100910-60030 | 1 - 40 |
| A426-000010 | 3 - 2 | V104-000731 | 2 - 30 | 100915-33930 | 1 - 39 |
| A427-000013 | 3 - 3 | V135-000010 | 1 - 23 | 100918-15130 | 1 - 38 |
| A439-000430 | 2 - 15 | V162-000040 | 4 - 16 | 100918-15130 | 4 - 7 |
| A500-000421 | 3 - 24 | V202-000060 | 5 - 10 | 123110-03930 | 7 - 28 |
| A506-000080 | 3 - 21 | V202-000060 | 5 - 13 | 123112-15030 | 7 - 25 |
| A509-000020 | 6 - 17 | V202-000070 | 5 - 7 | 123113-37530 | 7 - 15 |
| A514-000050 | 3 - 14 | V203-000090 | 3 - 16 | 123114-38830 | 7 - 12 |
| A552-000070 | 5 - 28 | V203-000110 | 5 - 30 | 123116-10530 | 7 - 18 |
| A556-000400 | 5 - 22 | V203-000120 | 2 - 31 | 123122-39330 | 7 - 8 |
| C022-000020 | 6 - 6 | V308-000030 | 6 - 5 | 123123-03930 | 7 - 6 |
| C300-000470 | 5 - 20 | V341-000050 | 1 - 32 | 123124-38330 | 7 - 27 |
| C304-000010 | 1 - 26 | V341-000060 | 1 - 48 | 123125-15030 | 7 - 26 |
| C305-000012 | 5 - 8 | V341-000070 | 1 - 47 | 123126-10631 | 7 - 17 |
| C309-000030 | 5 - 31 | V352-000070 | 4 - 9 | 123127-03930 | 7 - 32 |
| C310-000000 | 1 - 29 | V355-000270 | 5 - 32 | 123127-15030 | 7 - 19 |
| C320-000112 | 5 - 1 | V356-000290 | 6 - 3 | 123130-02960 | 7 - 1 |
| C328-000080 | 5 - 17 | V356-000300 | 5 - 3 | 123133-04260 | 7 - 30 |
| C334-000090 | 5 - 15 | V376-000450 | 5 - 18 | 123134-04260 | 7 - 31 |
| C345-000360 | 5 - 12 | V400-000051 | 4 - 10 | 123137-19830 | 7 - 9 |
| C400-000430 | 4 - 25 | V420-001250 | 1 - 42 | 123138-03930 | 7 - 5 |
| C411-000060 | 4 - 2 | V420-001420 | 2 - 1 | 123139-03930 | 7 - 7 |
| C450-000212 | 4 - 4 | V450-000070 | 5 - 19 | 123140-03930 | 7 - 4 |
| C454-000100 | 2 - 14 | V451-000500 | 5 - 26 | 123141-03930 | 7 - 3 |
| C460-000150 | 4 - 3 | V452-000220 | 3 - 27 | 123142-03930 | 7 - 2 |
| P003-000010 | 7 - 14 | V452-000250 | 5 - 4 | 123146-10631 | 7 - 10 |
| P003-000140 | 7 - 21 | V452-000260 | 4 - 5 | 123149-26030 | 7 - 23 |
| P003-000150 | 7 - 24 | V471-001280 | 2 - 16 | 123178-15030 | 7 - 29 |
| P003-001510 | 7 - 22 | V471-001470 | 2 - 17 | 123181-39130 | 2 - 18 |
| P003-001780 | 7 - 20 | V471-001600 | 2 - 5 | 130007-39932 | 2 - 2 |

Index

| Parts Number | Key No. | Parts Number | Key No. | Parts Number | Key No. |
|---------------------|----------------|---------------------|----------------|---------------------|----------------|
| 130020-33330 | 2 - 3 | 900238-04012 | 6 - 7 | | |
| 130300-39730 | 2 - 9 | 900238-05014 | 1 - 1 | | |
| 130301-39935 | 2 - 10 | 900238-05020 | 1 - 21 | | |
| 130338-32430 | 1 - 19 | 900238-05050 | 2 - 11 | | |
| 130405-38332 | 2 - 8 | 900253-04014 | 4 - 1 | | |
| 131205-19831 | 4 - 15 | 900253-05020 | 2 - 12 | | |
| 131300-56430 | 4 - 18 | 900345-40030 | 4 - 6 | | |
| 131328-40630 | 4 - 19 | 900515-00008 | 3 - 11 | | |
| 132010-00760 | 4 - 13 | 900516-00005 | 2 - 28 | | |
| 132012-39931 | 4 - 21 | 900600-00005 | 2 - 13 | | |
| 132013-09820 | 2 - 6 | 900603-00005 | 3 - 15 | | |
| 132013-09820 | 4 - 14 | 900720-00022 | 4 - 24 | | |
| 132013-26630 | 4 - 20 | 900721-00025 | 1 - 36 | | |
| 132013-26630 | 6 - 8 | 900888-36201 | 1 - 15 | | |
| 132115-12330 | 6 - 10 | 91100-04022 | 4 - 8 | | |
| 132115-44330 | 4 - 12 | 91145-05016 | 1 - 28 | | |
| 150114-04920 | 1 - 30 | 91145-05016 | 4 - 27 | | |
| 150117-16430 | 3 - 4 | 91145-05016 | 5 - 2 | | |
| 163400-38330 | 2 - 22 | 91145-05020 | 1 - 27 | | |
| 175012-00831 | 5 - 23 | 91145-05020 | 3 - 25 | | |
| 175019-39430 | 5 - 24 | 91145-05020 | 4 - 26 | | |
| 177214-03930 | 5 - 6 | 93050-30098 | 5 - 16 | | |
| 177234-35430 | 3 - 12 | | | | |
| 177236-61830 | 3 - 19 | | | | |
| 177247-04630 | 3 - 13 | | | | |
| 178810-14534 | 2 - 23 | | | | |
| 351111-19830 | 4 - 11 | | | | |
| 351134-39930 | 2 - 20 | | | | |
| 431011-39431 | 5 - 39 | | | | |
| 433011-19830 | 1 - 34 | | | | |
| 433012-39930 | 5 - 29 | | | | |
| 433019-12330 | 5 - 36 | | | | |
| 433116-35430 | 5 - 5 | | | | |
| 433116-35430 | 5 - 14 | | | | |
| 436114-13930 | 1 - 33 | | | | |
| 436205-14730 | 6 - 11 | | | | |
| 437210-35430 | 6 - 9 | | | | |
| 437210-39931 | 6 - 1 | | | | |
| 890157-39130 | 1 - 44 | | | | |
| 890345-39230 | 1 - 46 | | | | |
| 890631-38130 | 1 - 24 | | | | |
| 895610-00130 | 6 - 12 | | | | |
| 895812-03930 | 6 - 15 | | | | |
| 898510-39130 | 6 - 13 | | | | |
| 900162-05020 | 3 - 9 | | | | |
| 900162-05022 | 1 - 5 | | | | |
| 900162-05030 | 1 - 41 | | | | |
| 900220-03006 | 5 - 9 | | | | |
| 900220-04008 | 2 - 25 | | | | |



shindaiwa

