

shindaiwa[®]

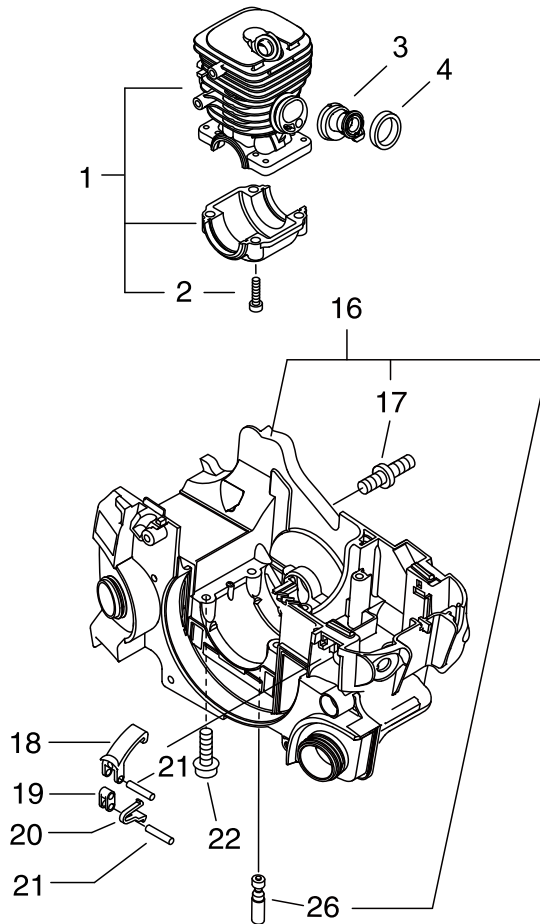
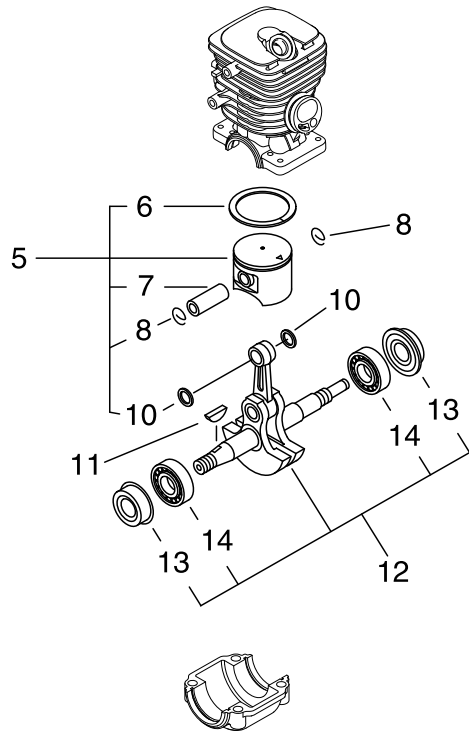
PARTS CATALOG

CHAIN SAW 305S(37)

9060001 -

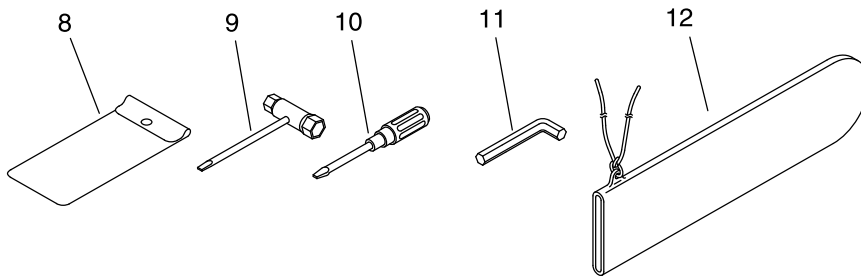
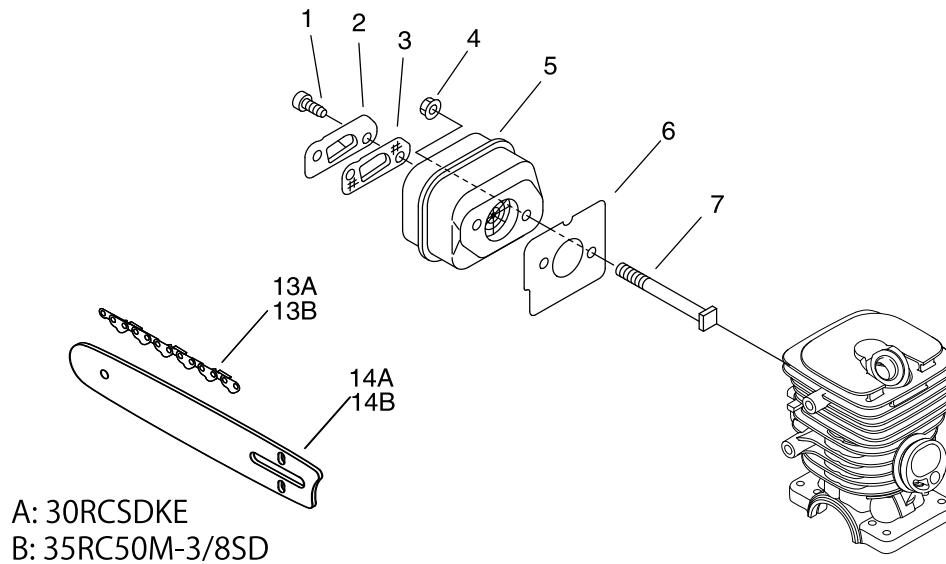
P016-001410-09Eb

1. CYLINDER, CRANKCASE, PISTON



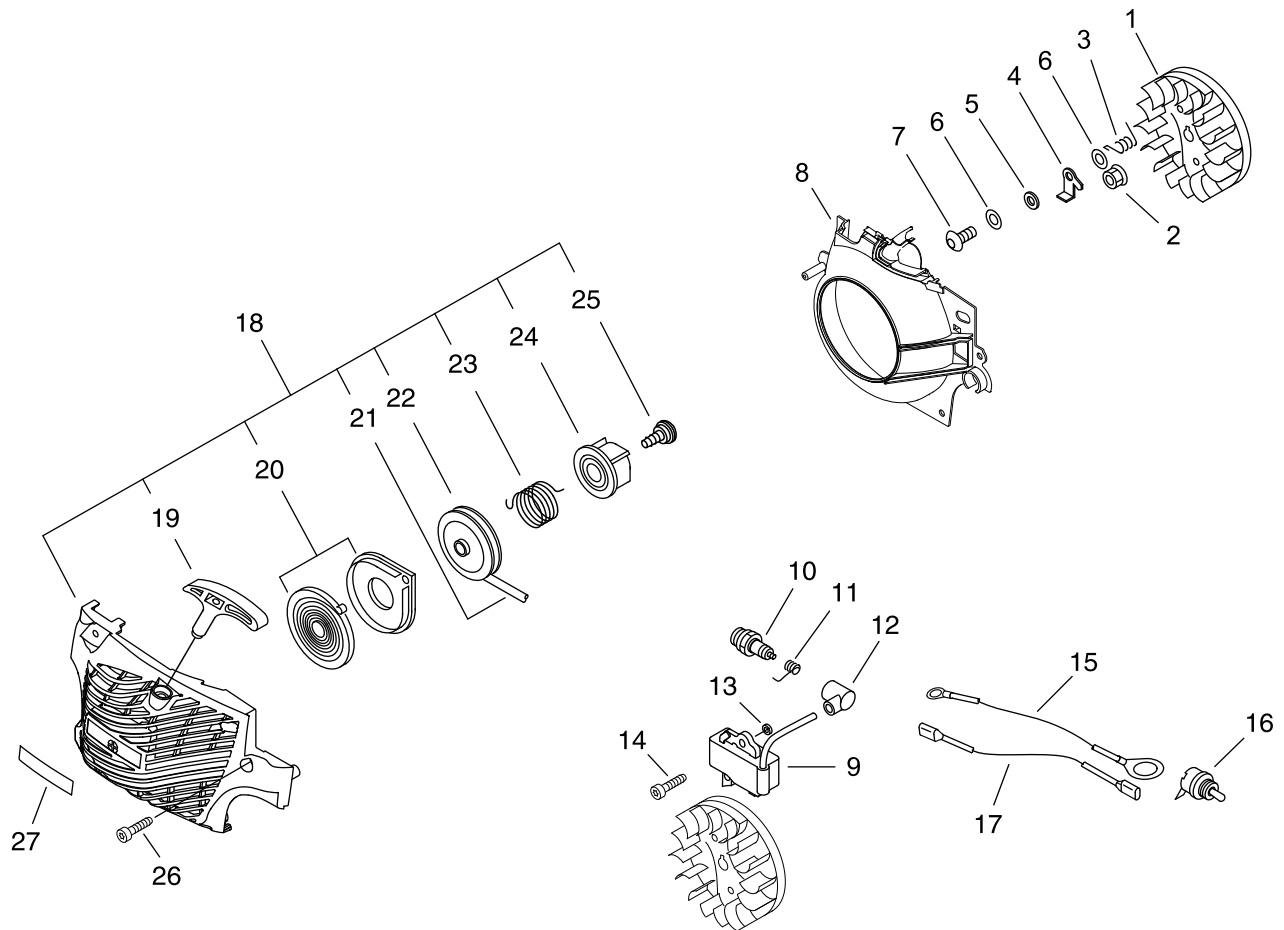
KEY	LV	PART NUMBER	Q'TY	DESCRIPTION	REMARKS	NOTE1	NOTE2
1		P021-015050	1	CRANK CASE KIT			
2	+	V805-000220	4	BOLT, TORX 5	TB-5*25 12.9		
3		A202-000070	1	BELLOWS, INTAKE			
4		A206-000000	1	HOLDER, BELLOWS			
5		P021-015061	1	PISTON KIT			
6	+	100011-16131	1	RING, PISTON			
7	+	100013-15330	1	PIN, PISTON	5.5*8*29		
8	+	100015-04630	2	CIRCLIP, PISTON PIN			
10	+	100014-11520	2	SPACER, PISTON PIN			
11		100142-12330	1	KEY, WOODRUFF			
12		P021-035210	1	CRANKSHAFT ASY			
13	+	V505-000010	2	SEAL,OIL 12			
14	+	94035-36201	2	BEARING BALL	6201X3JR2C3		
16		P021-016717	1	COVER, ENGINE			
17	+	V225-000030	2	BOLT,STUD 8			
26	+	C022-000071	1	AUTO-OILER ASSEMBLY			
18		C463-000030	2	KNOB, LATCH			
19		J485-000200	2	HINGE			
20		V490-000400	2	CLIP			
21		93050-40180	4	ROLLER	4*17.8L		
22		V805-000180	4	BOLT, TORX 5	TB-5*30 12.9		

2. MUFFLER, TOOLS



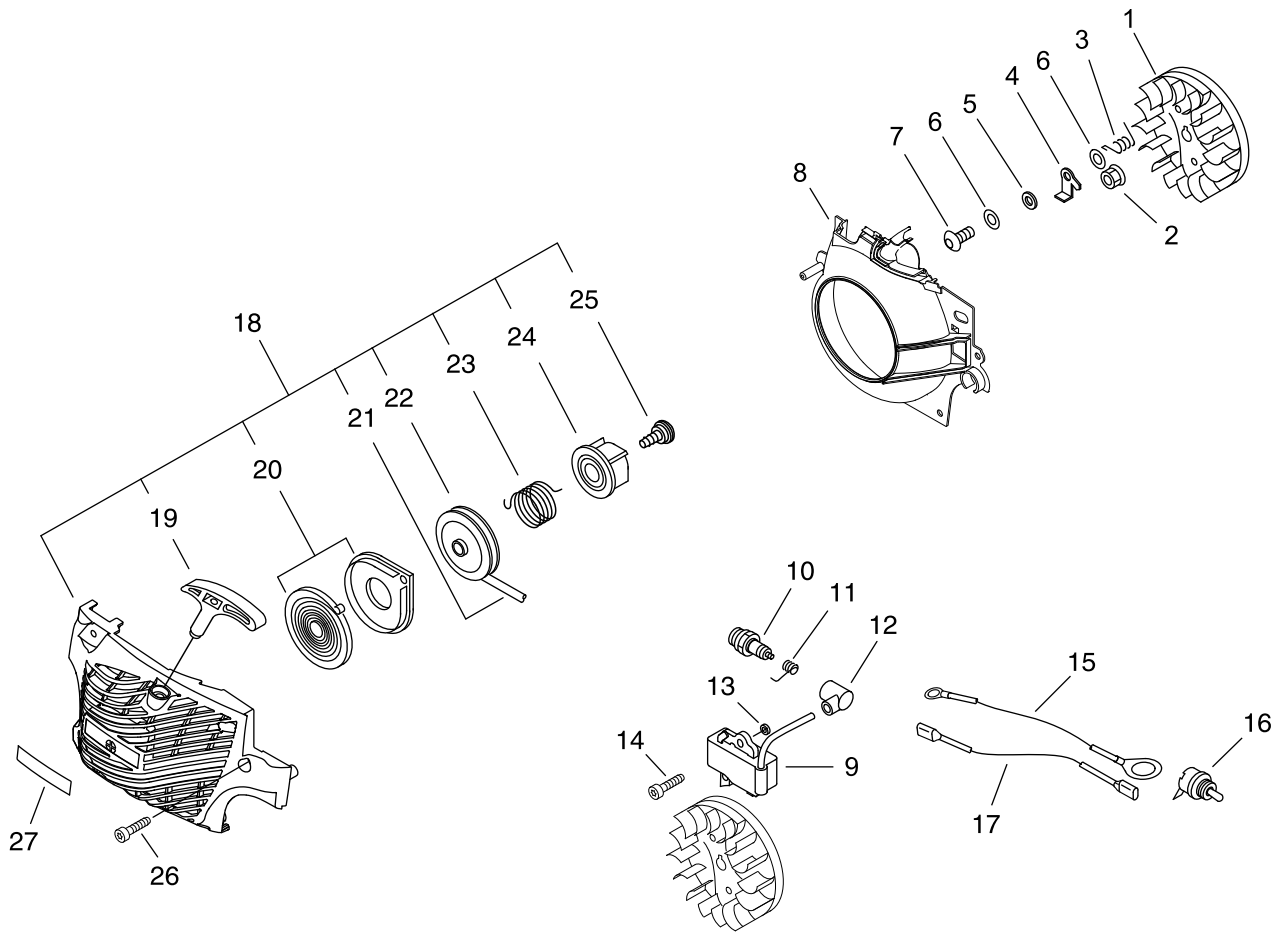
KEY	LV	PART NUMBER	Q'TY	DESCRIPTION	REMARKS	NOTE1	NOTE2
1		V804-000030	2	BOLT, TORX 4	TB-4*8 10.9		
2		A313-000760	1	GUIDE, EXHAUST	ID#1170		
3		A310-000060	1	SCREEN, ARRESTOR			
4		900516-00005	2	NUT, FRANGE 5	5		
5		A300-000620	1	MUFFLER, EXHAUST			
6		V104-000731	1	GASKET, EXHAUST			
7		V203-000120	2	BOLT, 5	L=60		
8		898510-07130	1	BAG, TOOL			
9		X602-000080	1	TOOL, WRENCH	13*19 L180		
10		895812-03930	1	DRIVER, SCREW 50			
11		X605-000050	1	TOOL, L WRENCH			
12		P021-005750	1	SCABBARD, CHAIN			
13A		431010-39931	1	CHAIN, SAW 91VX-47E	91VX-47E		
13B		431019-39931	1	CHAIN, SAW	91VX-53E		
14A		X122-000170	1	BAR, GUIDE 30	30RC50M-3/8 SDK		
14B		X123-000270	1	BAR, GUIDE 35	35RC50M-3/8SD		

3. RECOIL STARTER, MAGNETO



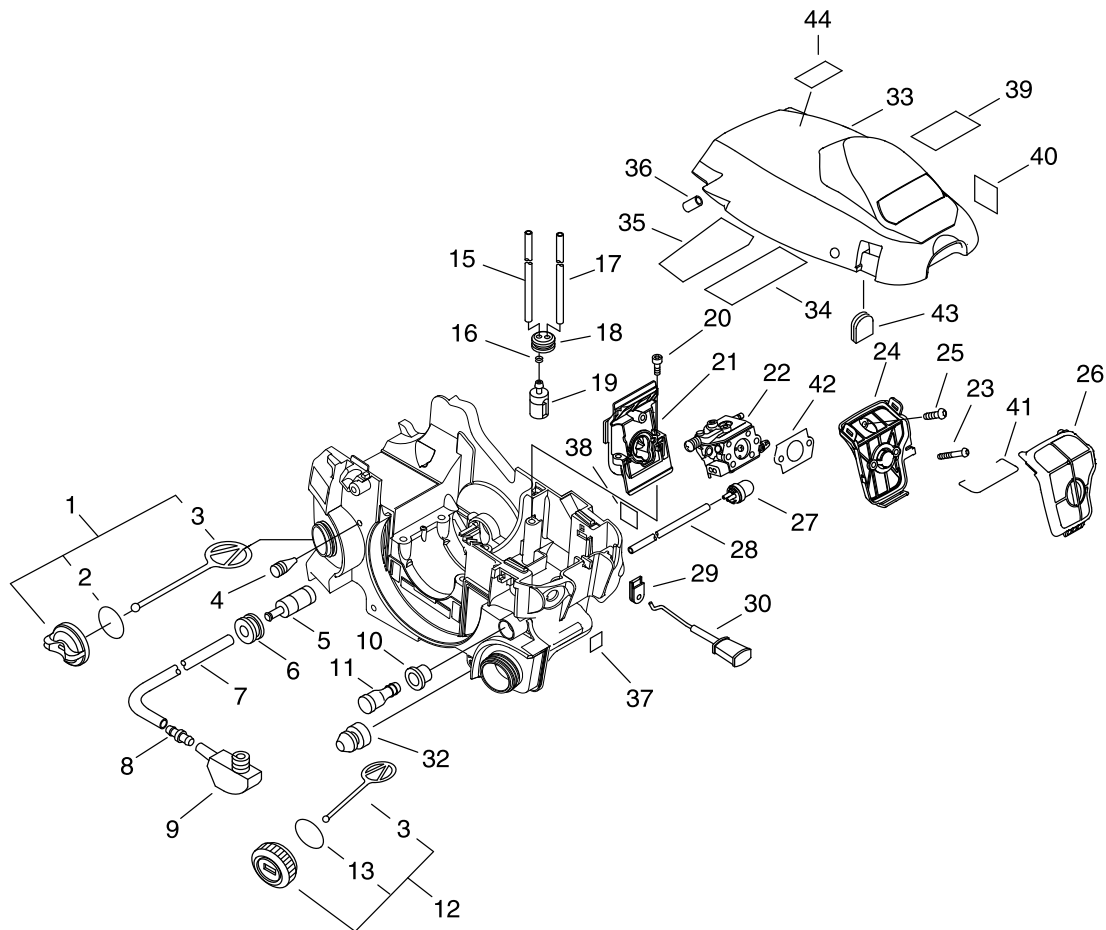
KEY	LV	PART NUMBER	Q'TY	DESCRIPTION	REMARKS	NOTE1	NOTE2
1		A409-000350	1	ROTOR, MAGNETO	WALBRO FW57		
2		900515-00008	1	NUT, FLANGE 8	8		
3		177234-35430	2	SPRING, RETURN			
4		A514-000020	2	PAWL			
5		177247-04630	2	SPACER, RATCHET	5.2*8*2.1		
6		900603-00005	4	WASHER 5	5.5*12*0.8		
7		V203-000080	2	BOLT,5	5*14		
8		A172-000830	1	COVER,FAN			
9		A411-000460	1	COIL, IGNITION	WALBRO MBU-35A		
10		A425-000000	1	SPARKPLUG	BPMR8Y		
11		A426-000020	1	TERMINAL,SPARKPLUG			
12		A427-000020	1	CAP,SPARK PLUG			
13		150117-16430	2	SPACER			
14		V805-000210	2	BOLT, TORX 5	TB-5*20 12.9		
15		V485-001070	1	LEAD	#LA105 L255		
16		A440-001190	1	SWITCH, ON OFF			
17		V485-001080	1	LEAD	L235,#187,#250		
18		A051-001430	1	STARTER,RECOIL			
19	+	P022-005891	1	GRIP, STARTER			
20	+	P022-001330	1	SPRING KIT, REWIND			
21	+	P022-008440	1	ROPE, STARTER	3.5*900		
22	+	A506-000080	1	REEL,ROPE			
23	+	V452-000220	1	SPRING,TORSION	D2.3φ21.1		
24	+	A507-000021	1	CATCHER,PAWL			

3. RECOIL STARTER, MAGNETO



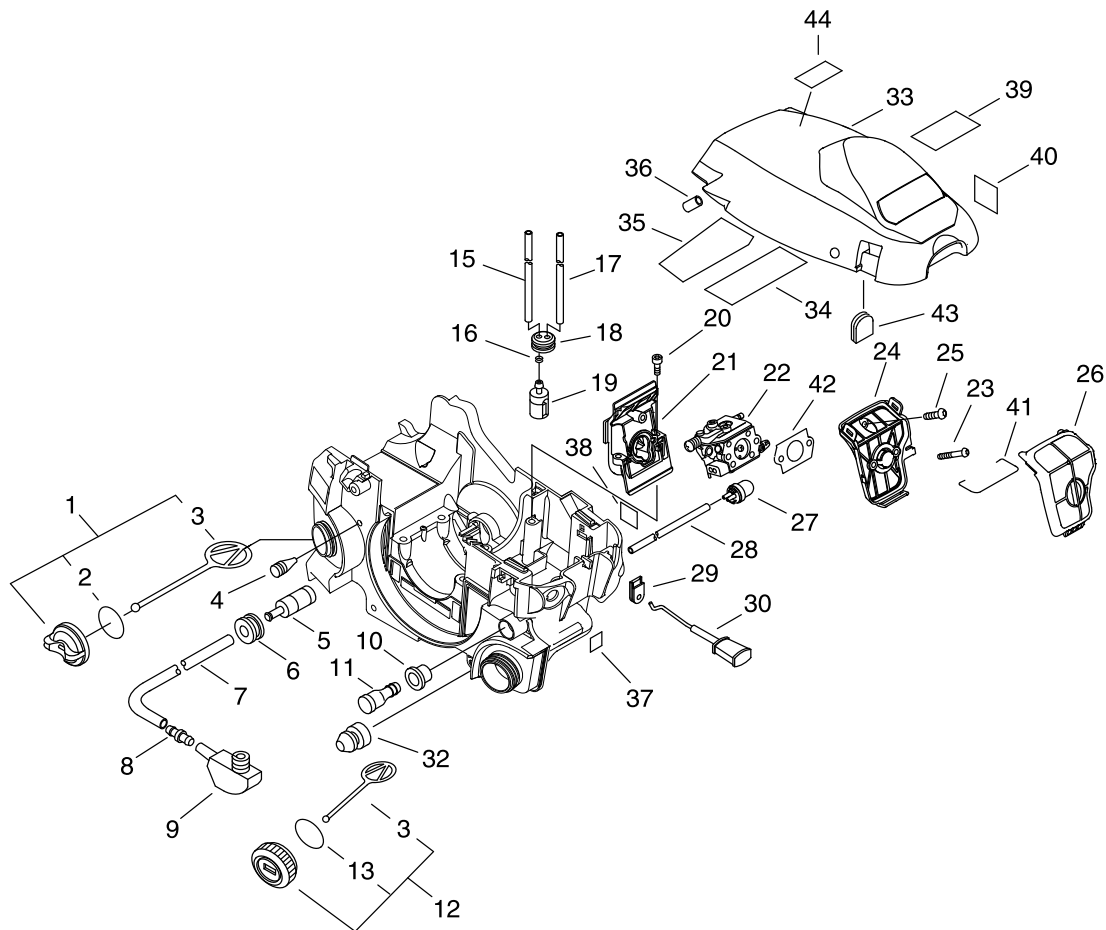
KEY	LV	PART NUMBER	Q'TY	DESCRIPTION	REMARKS	NOTE1	NOTE2
25	+	177236-61830	1	SCREW			
26		V805-000010	4	BOLT, TORX 5	TT-5*20 DG 10.9		
27		X504-000950	1	LABEL, BRAND	SHINDAIWA		

4. CYLINDER COVER



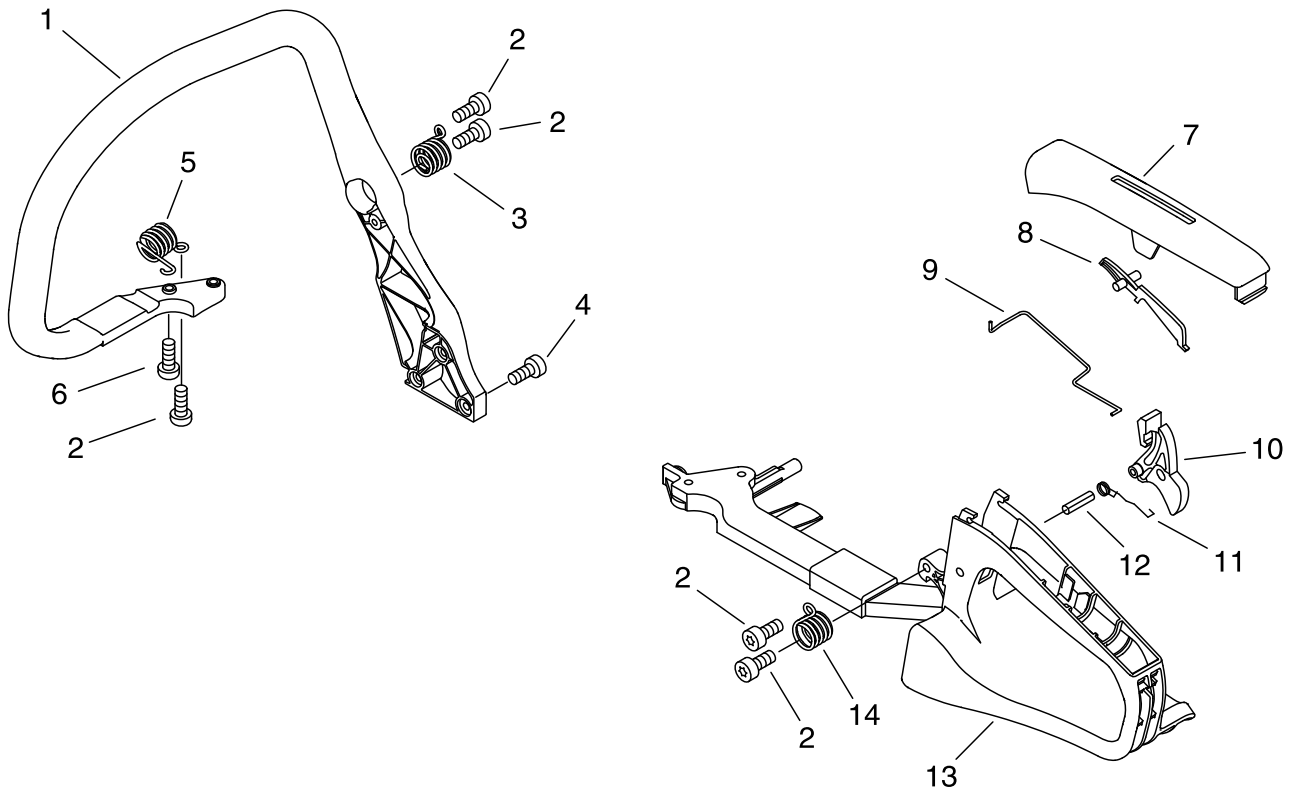
KEY	LV	PART NUMBER	Q'TY	DESCRIPTION	REMARKS	NOTE1	NOTE2
1		P021-005581	1	OIL CAP ASY			
2	+	900720-00018	1	O-RING 18	P-18		
3	+	A365-000050	2	CONNECTOR,CAP			
4		436114-13930	1	VALVE, CHECK			
5		436205-02832	1	STRAINER, OIL			
6		132115-01461	1	GROMMET			
7		130110-05260	1	PIPE, IMPULSE			
8		V186-000020	1	JOINT,PIPE			
9		V470-000810	1	PIPE			
10		V137-000000	1	GROMMET,FUEL			
11		A356-000030	1	VALVE,CHECK			
12		P021-004561	1	CAP ASY,FUEL TANK			
13	+	900720-00022	1	O-RING 22	P-22		
15		V471-002170	1	PIPE	3*5*230		
16		132013-09820	1	CLIP	6MM		
17		V471-001560	1	PIPE	2.4*5*80		
18		132115-44330	1	GROMMET			
19		131205-14930	1	STRAINER,FUEL			
20		V805-000010	2	BOLT, TORX 5	TT-5*20 DG 10.9		
21		A200-000350	1	INSULATOR, INTAKE			
22		A021-001700	1	CARBURETOR,DIAPHRAGM	WT-946		
23		V805-000040	2	BOLT, TORX 5	TT-5*55 DG 10.9		
24		A225-000350	1	CASE,CLEANER			

4. CYLINDER COVER



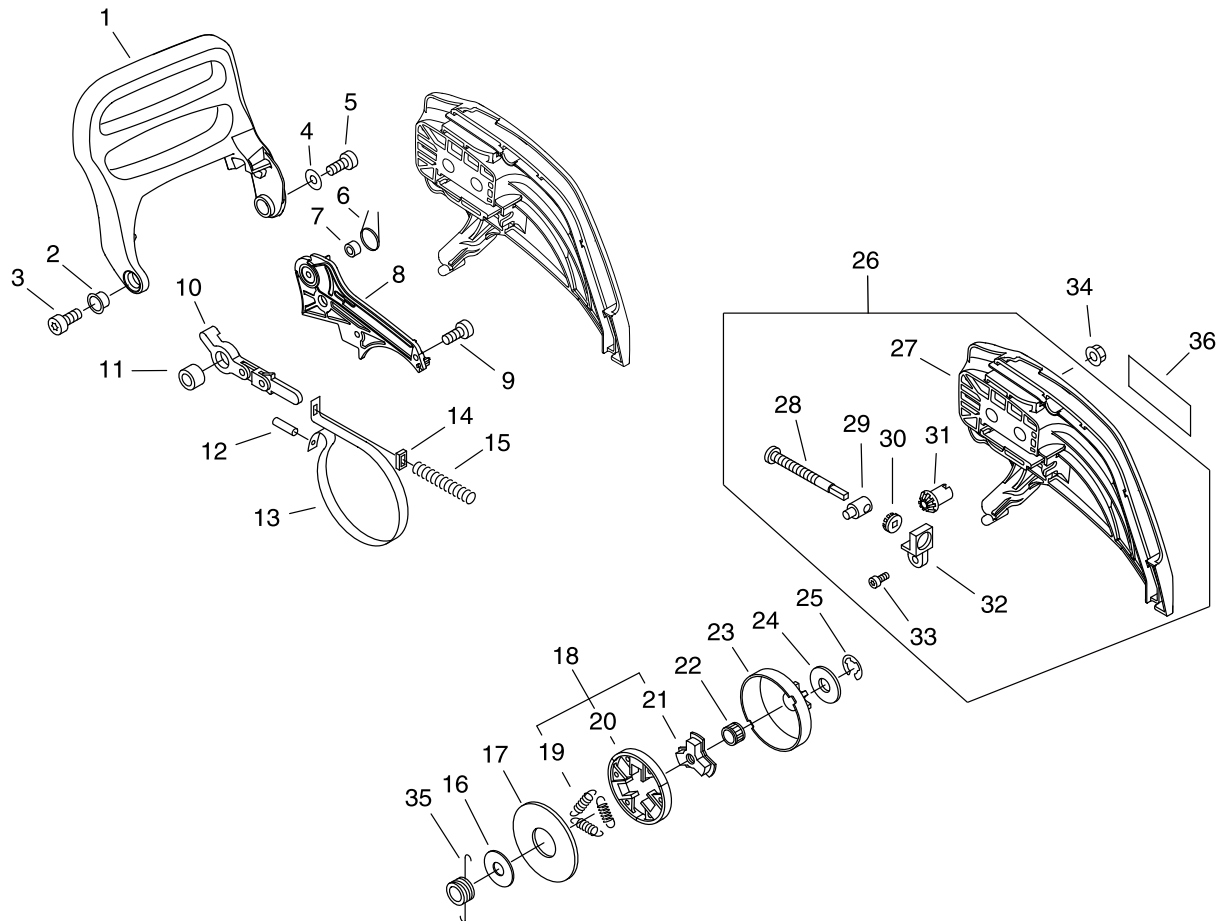
KEY	LV	PART NUMBER	Q'TY	DESCRIPTION	REMARKS	NOTE1	NOTE2
25		V805-000000	1	BOLT, TORX 5	TT-5*16 DG 10.9		
26		A226-000460	1	ELEMENT,AIR FILTER			
27		123181-39130	1	PUMP, PRIMER			
28		V471-002190	1	PIPE	2.4*5*125		
29		V130-000010	1	GROMMET,CHOKE			
30		A241-000180	1	KNOB,CHOKE			
32		V420-001790	2	CUSHION			
33		A160-001170	1	COVER,CYLINDER			
34		V341-000110	1	WASHER,SQUARE			
35		V341-000120	1	WASHER,SQUARE			
36		100927-35830	1	PIPE	3*7*10		
37		890157-39130	1	LABEL, SWITCH			
38		X524-001900	1	LABEL			
39		X504-000960	1	LABEL,BRAND	SHINDAIWA		
40		890631-38130	1	LABEL, CAUTION			
41		V582-000050	1	RING,SNAP	D2		
42		V103-000500	1	GASKET,INTAKE	ASK NO.4600		
43		130338-32430	1	PLUG, COVER			
44		890345-39230	1	LABEL,CAUTION			

5. HANDLE



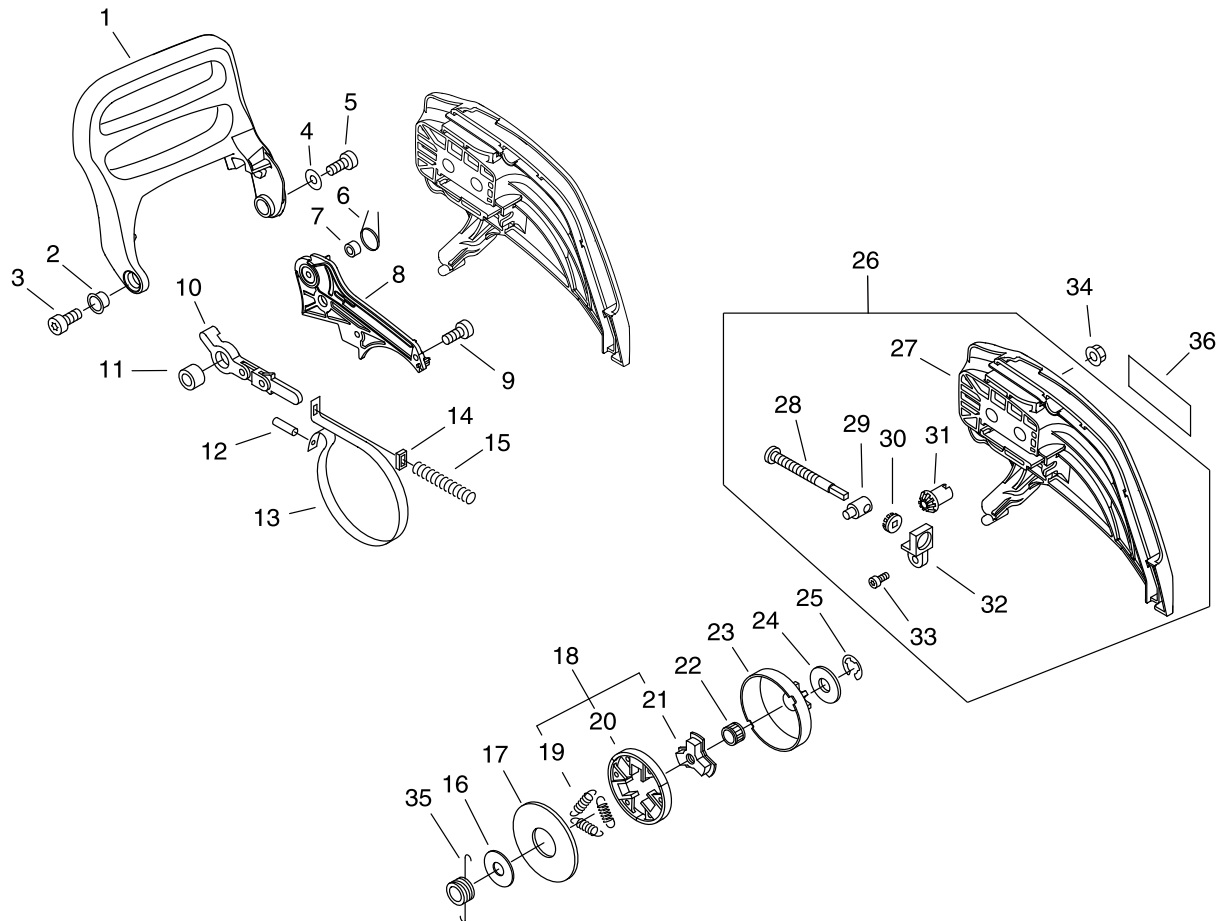
KEY	LV	PART NUMBER	Q'TY	DESCRIPTION	REMARKS	NOTE1	NOTE2
1		C400-000541	1	HANDLE, FRONT			
2		V805-000000	5	BOLT, TORX 5	TT-5*16 DG 10.9		
3		V450-000700	1	SPRING, COMPRESSION			
4		V805-000010	3	BOLT, TORX 5	TT-5*20 DG 10.9		
5		V450-000710	1	SPRING, COMPRESSION			
6		V805-000000	2	BOLT, TORX 5	TT-5*16 DG 10.9		
7		C411-000050	1	LID, HANDLE			
8		C460-000150	1	LOCKOUT, THROTTLE			
9		C454-000160	1	ROD, THROTTLE			
10		C450-000212	1	CONTROL, THROTTLE			
11		V452-000260	1	SPRING, TORSION			
12		900345-40025	1	PIN, SPRING 4*25SUS	4*25SUS		
13		C410-000560	1	HANDLE, REAR			
14		V450-000720	1	SPRING, COMPRESSION			

6. CHAIN BRAKE



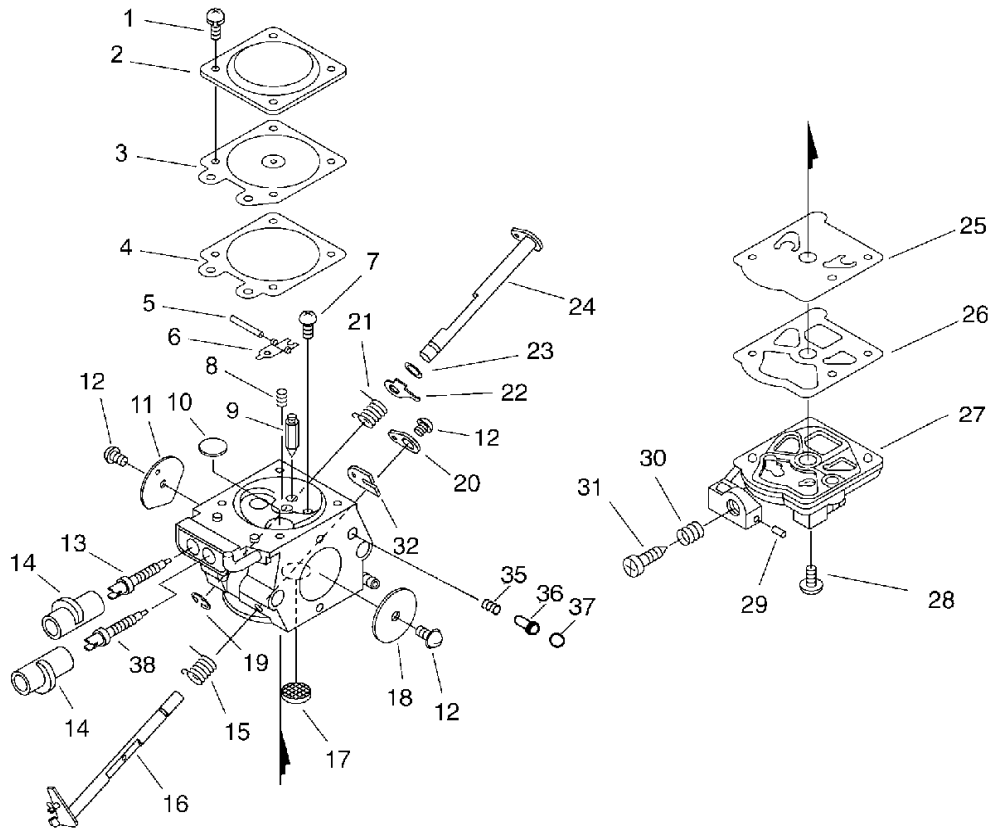
KEY	LV	PART NUMBER	Q'TY	DESCRIPTION	REMARKS	NOTE1	NOTE2
1		C320-000170	1	LEVER, BRAKE			
2		V356-000430	1	COLLAR,10			
3		V804-000000	1	BOLT, TORX 4	TT-4*12 DG 10.9		
4		177214-03930	1	WASHER			
5		V804-000020	1	BOLT, TORX 4	TT-4*20 DG 10.9		
6		V452-000250	1	SPRING,TORSION			
7		433116-35430	1	SPACER 8	8*12*9		
8		C345-000330	1	COVER,BRAKE			
9		V804-000000	2	BOLT, TORX 4	TT-4*12 DG 10.9		
10		C334-000100	1	CONNECTOR, BRAKE			
11		433116-35430	1	SPACER 8	8*12*9		
12		93050-30098	1	ROLLER	F3*9.8		
13		C328-000030	1	BAND,BRAKE			
14		V376-000450	1	SPACER			
15		V450-000070	1	SPRING,COMPRESSION			
16		A551-000080	1	PLATE, CLUTCH			
17		A551-000090	1	PLATE, CLUTCH			
18		A056-000210	1	CLUTCH ASY			
19	+	V451-000470	3	SPRING,TENSION			
20	+	P021-005810	1	CLUTCH SHOE SET			
21	+	A552-000100	1	HUB, CLUTCH			
22		175012-03930	1	BEARING, NEEDLE			
23		A556-000540	1	DRUM, CLUTCH			

6. CHAIN BRAKE



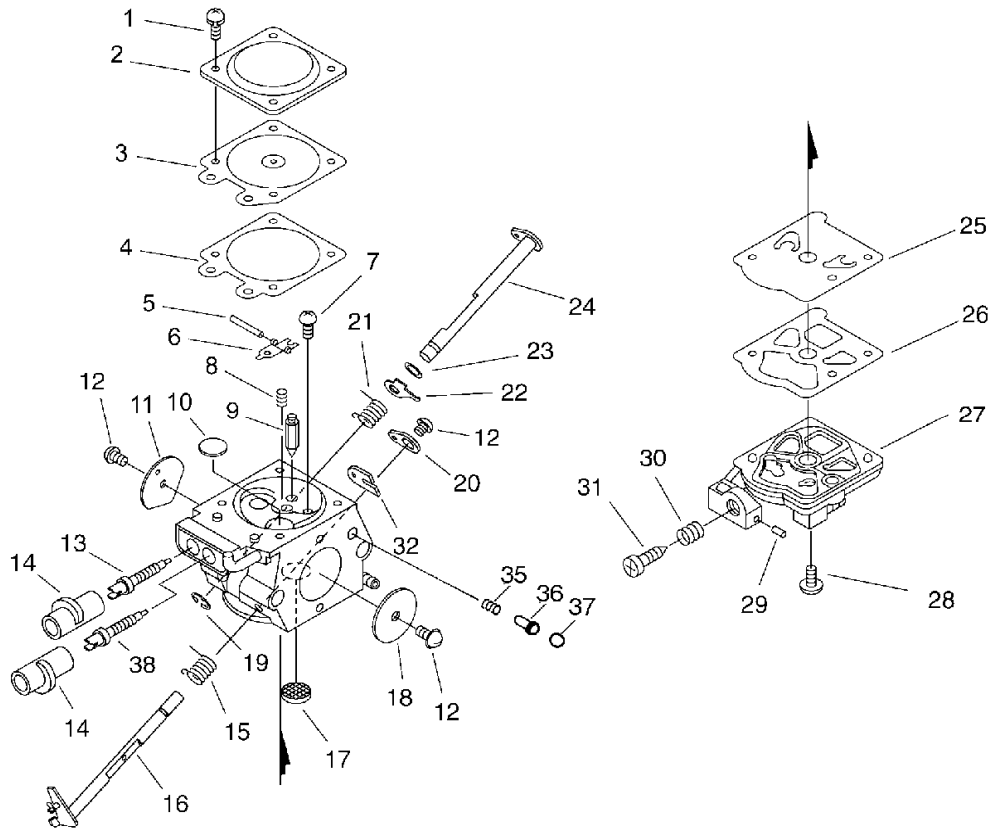
KEY	LV	PART NUMBER	Q'TY	DESCRIPTION	REMARKS	NOTE1	NOTE2
24		100143-19830	1	WASHER	8.2*31*0.8		
25		V583-000120	1	RING			
26		P021-015110	1	GUARD, SPROCKET KIT			
27	+	C300-000440	1	GUARD, SPROCKET			
28	+	V203-000110	1	BOLT, 5			
29	+	C309-000030	1	TENSIONER, CHAIN			
30	+	V651-000011	1	GEAR, BEVEL			
31	+	V651-000001	1	GEAR, BEVEL			
32	+	V355-000140	1	COLLAR, 8			
33	+	V804-000000	1	BOLT, TORX 4	TT-4*12 DG 10.9		
34		433019-12330	2	NUT, FLANGE 8	M-8		
35		V652-000040	1	GEAR, WORM			
36		X503-009830	1	LABEL, MODEL	305S		

7. CARBURETOR



KEY	LV	PART NUMBER	Q'TY	DESCRIPTION	REMARKS	NOTE1	NOTE2
		A021-001700	1	CARBURETOR,DIAPHRAGM	WT-946		
1	+	123130-02960	4	SCREW			
2	+	123142-03930	1	COVER, M. DIAPHRAGM			
3	+	P003-001850	1	DIAPHRAGM, METERING			
4	+	123140-03930	1	GASKET, M. DIAPHRAGM			
5	+	123138-03930	1	PIN, METERING LEVER			
6	+	123123-03930	1	LEVER, METERING			
7	+	123139-03930	1	SCREW, M. LEVER PIN			
8	+	123122-39330	1	SPRING, METER. LEVER			
9	+	123137-19830	1	VALVE, INLET NEEDLE			
10	+	123146-10631	1	PLUG, WELCH			
11	+	P003-002250	1	VALVE, CHOKE			
12	+	123114-38830	3	SCREW			
13	+	123120-52131	1	NEEDLE, HIGH SPEED			
38	+	123118-02261	1	NEEDLE			
14	+	P003-000010	2	LIMITER CAP			
15	+	123113-37530	1	SPRING, THROTTLE RTN			
16	+	P003-002240	1	SHAFT ASY,THROTTLE			
17	+	123126-10631	1	SCREEN, INLET			
18	+	123116-05960	1	VALVE, THROTTLE			
19	+	123127-15030	1	RING			
20	+	P003-001040	1	LEVER THROTTLE			
21	+	P003-002260	1	SPRING			
22	+	P003-001510	1	LEVER-FAST IDLE			
23	+	123149-26030	1	WASHER			
24	+	P003-000150	1	CHOKE, SHAFT			

7. CARBURETOR



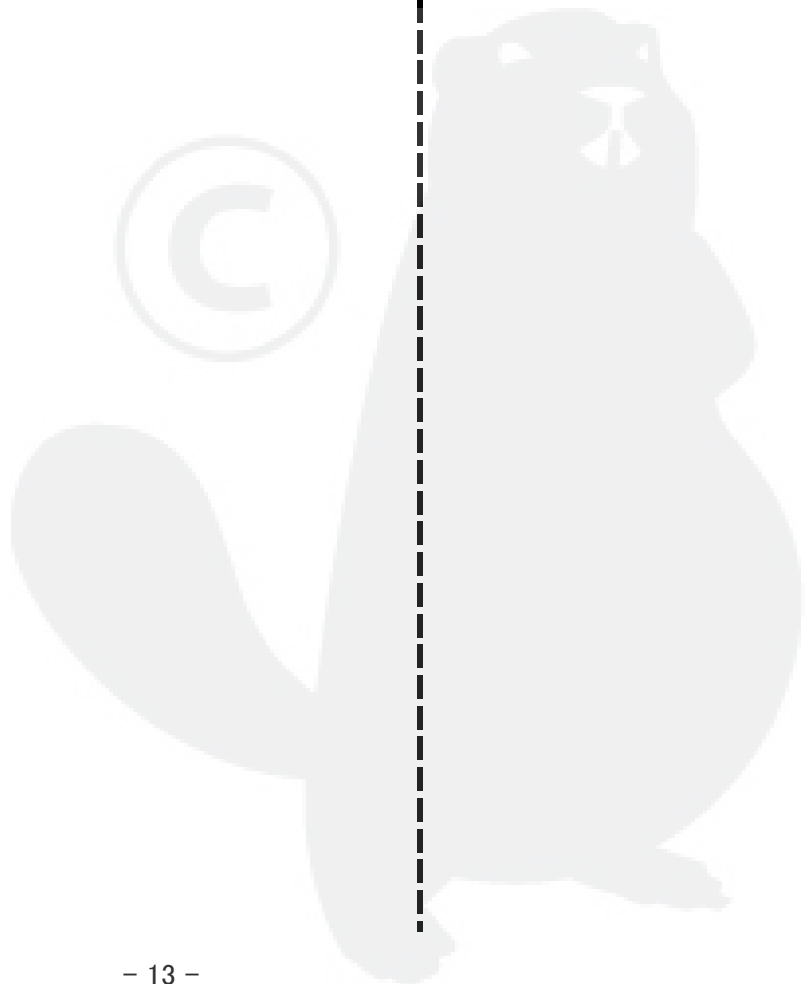
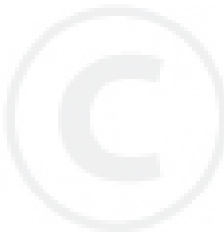
KEY	LV	PART NUMBER	Q'TY	DESCRIPTION	REMARKS	NOTE1	NOTE2
25	+	123112-15030	1	DIAPHRAGM, FUEL PUMP			
26	+	123125-15030	1	GASKET, FUEL PUMP			
27	+	123124-09520	1	COVER, FUEL PUMP			
28	+	123110-03930	1	SCREW, PUMP COVER			
30	+	123133-04260	1	SPRING, IDLE ADJUST			
31	+	123134-04260	1	SCREW, IDLE ADJUST			
32	+	123127-03930	1	CLIP, THROTTLE SHAFT			
35	+	123186-09660	1	SPRING, START VALVE			
36	+	123185-09660	1	PISTON ASSY			
37	+	123136-09660	1	BALL			

Index

Patrs Number	Key No.	Patrs Number	Key No.	Patrs Number	Key No.
100011-16131	1 - 6	433019-12330	6 - 34	C022-000071	1 - 26
100013-15330	1 - 7	433116-35430	6 - 7	C300-000440	6 - 27
100014-11520	1 - 10	433116-35430	6 - 11	C309-000030	6 - 29
100015-04630	1 - 8	436114-13930	4 - 4	C320-000170	6 - 1
100142-12330	1 - 11	436205-02832	4 - 5	C328-000030	6 - 13
100143-19830	6 - 24	890157-39130	4 - 37	C334-000100	6 - 10
100927-35830	4 - 36	890345-39230	4 - 44	C345-000330	6 - 8
123110-03930	7 - 28	890631-38130	4 - 40	C400-000541	5 - 1
123112-15030	7 - 25	895812-03930	2 - 10	C410-000560	5 - 13
123113-37530	7 - 15	898510-07130	2 - 8	C411-000050	5 - 7
123114-38830	7 - 12	900345-40025	5 - 12	C450-000212	5 - 10
123116-05960	7 - 18	900515-00008	3 - 2	C454-000160	5 - 9
123118-02261	7 - 38	900516-00005	2 - 4	C460-000150	5 - 8
123120-52131	7 - 13	900603-00005	3 - 6	C463-000030	1 - 18
123122-39330	7 - 8	900720-00018	4 - 2	J485-000200	1 - 19
123123-03930	7 - 6	900720-00022	4 - 13	P003-000010	7 - 14
123124-09520	7 - 27	93050-30098	6 - 12	P003-000150	7 - 24
123125-15030	7 - 26	93050-40180	1 - 21	P003-001040	7 - 20
123126-10631	7 - 17	94035-36201	1 - 14	P003-001510	7 - 22
123127-03930	7 - 32	A021-001700	4 - 22	P003-001850	7 - 3
123127-15030	7 - 19	A021-001700	7 -	P003-002240	7 - 16
123130-02960	7 - 1	A051-001430	3 - 18	P003-002250	7 - 11
123133-04260	7 - 30	A056-000210	6 - 18	P003-002260	7 - 21
123134-04260	7 - 31	A160-001170	4 - 33	P021-004561	4 - 12
123136-09660	7 - 37	A172-000830	3 - 8	P021-005581	4 - 1
123137-19830	7 - 9	A200-000350	4 - 21	P021-005750	2 - 12
123138-03930	7 - 5	A202-000070	1 - 3	P021-005810	6 - 20
123139-03930	7 - 7	A206-000000	1 - 4	P021-015050	1 - 1
123140-03930	7 - 4	A225-000350	4 - 24	P021-015061	1 - 5
123142-03930	7 - 2	A226-000460	4 - 26	P021-015110	6 - 26
123146-10631	7 - 10	A241-000180	4 - 30	P021-016717	1 - 16
123149-26030	7 - 23	A300-000620	2 - 5	P021-035210	1 - 12
123181-39130	4 - 27	A310-000060	2 - 3	P022-001330	3 - 20
123185-09660	7 - 36	A313-000760	2 - 2	P022-005891	3 - 19
123186-09660	7 - 35	A356-000030	4 - 11	P022-008440	3 - 21
130110-05260	4 - 7	A365-000050	4 - 3	V103-000500	4 - 42
130338-32430	4 - 43	A409-000350	3 - 1	V104-000731	2 - 6
131205-14930	4 - 19	A411-000460	3 - 9	V130-000010	4 - 29
132013-09820	4 - 16	A425-000000	3 - 10	V137-000000	4 - 10
132115-01461	4 - 6	A426-000020	3 - 11	V186-000020	4 - 8
132115-44330	4 - 18	A427-000020	3 - 12	V203-000080	3 - 7
150117-16430	3 - 13	A440-001190	3 - 16	V203-000110	6 - 28
175012-03930	6 - 22	A506-000080	3 - 22	V203-000120	2 - 7
177214-03930	6 - 4	A507-000021	3 - 24	V225-000030	1 - 17
177234-35430	3 - 3	A514-000020	3 - 4	V341-000110	4 - 34
177236-61830	3 - 25	A551-000080	6 - 16	V341-000120	4 - 35
177247-04630	3 - 5	A551-000090	6 - 17	V355-000140	6 - 32
431010-39931	2 - 13A	A552-000100	6 - 21	V356-000430	6 - 2
431019-39931	2 - 13B	A556-000540	6 - 23	V376-000450	6 - 14

Index

Patrs Number	Key No.	Patrs Number	Key No.	Patrs Number	Key No.
V420-001790	4 - 32				
V450-000070	6 - 15				
V450-000700	5 - 3				
V450-000710	5 - 5				
V450-000720	5 - 14				
V451-000470	6 - 19				
V452-000220	3 - 23				
V452-000250	6 - 6				
V452-000260	5 - 11				
V470-000810	4 - 9				
V471-001560	4 - 17				
V471-002170	4 - 15				
V471-002190	4 - 28				
V485-001070	3 - 15				
V485-001080	3 - 17				
V490-000400	1 - 20				
V505-000010	1 - 13				
V582-000050	4 - 41				
V583-000120	6 - 25				
V651-000001	6 - 31				
V651-000011	6 - 30				
V652-000040	6 - 35				
V804-000000	6 - 3				
V804-000000	6 - 9				
V804-000000	6 - 33				
V804-000020	6 - 5				
V804-000030	2 - 1				
V805-000000	4 - 25				
V805-000000	5 - 2				
V805-000000	5 - 6				
V805-000010	3 - 26				
V805-000010	4 - 20				
V805-000010	5 - 4				
V805-000040	4 - 23				
V805-000180	1 - 22				
V805-000210	3 - 14				
V805-000220	1 - 2				
X122-000170	2 - 14A				
X123-000270	2 - 14B				
X503-009830	6 - 36				
X504-000950	3 - 27				
X504-000960	4 - 39				
X524-001900	4 - 38				
X602-000080	2 - 9				
X605-000050	2 - 11				



YAMABIKO CORPORATION

7-2 SUEHIROCHO 1-CHOME, OHME, TOKYO 198-8760, JAPAN
PHONE: 81-428-32-6118. FAX: 81-428-32-6145.

shindaiwa[®]



09Eb
No. 67-009