

Shindaiwa Illustrated Parts List

490 EC1 Brushcutter



| | |
|--|---------|
| CYLINDER / MUFFLER | 2 |
| CRANKCASE | 3 |
| CYLINDER COVER / FRONT & REAR HANDLE | 4 - 5 |
| CLUTCH ASSEMBLY / DRUM / COVER | 6 - 7 |
| CRANKSHAFT / PISTON | 8 |
| ROTOR / COIL ASSEMBLY | 9 |
| CARBURETOR | 10 - 11 |
| RECOIL STARTER | 12 |
| TOOL SET | 13 |

www.shindaiwa.com

11975 SW Herman Road

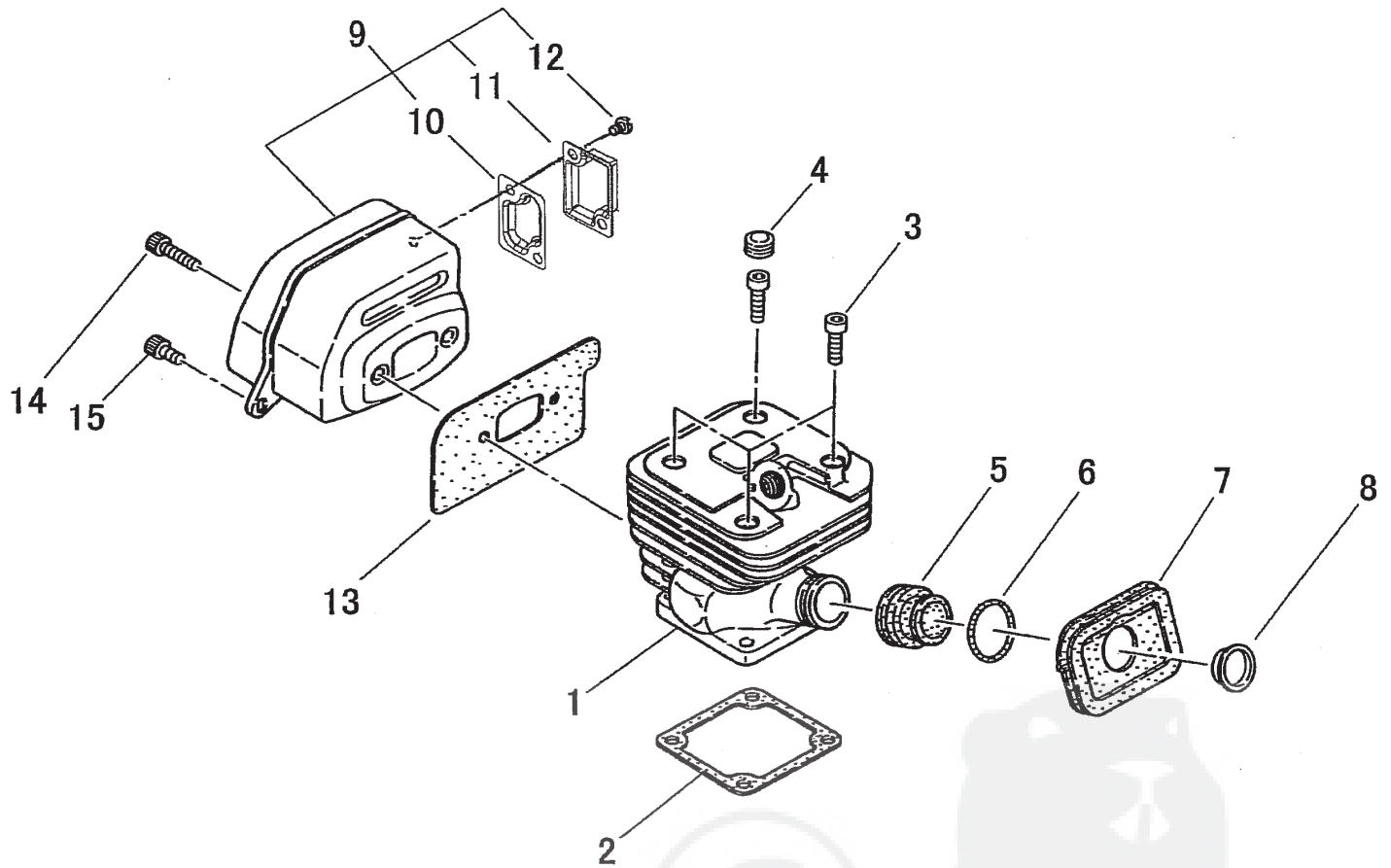
Tualatin, Oregon 97062, U.S.A.

1 + 503.692.3070 • fax 1 + 503.692.6696 •

shindaiwa

CYLINDER / MUFFLER

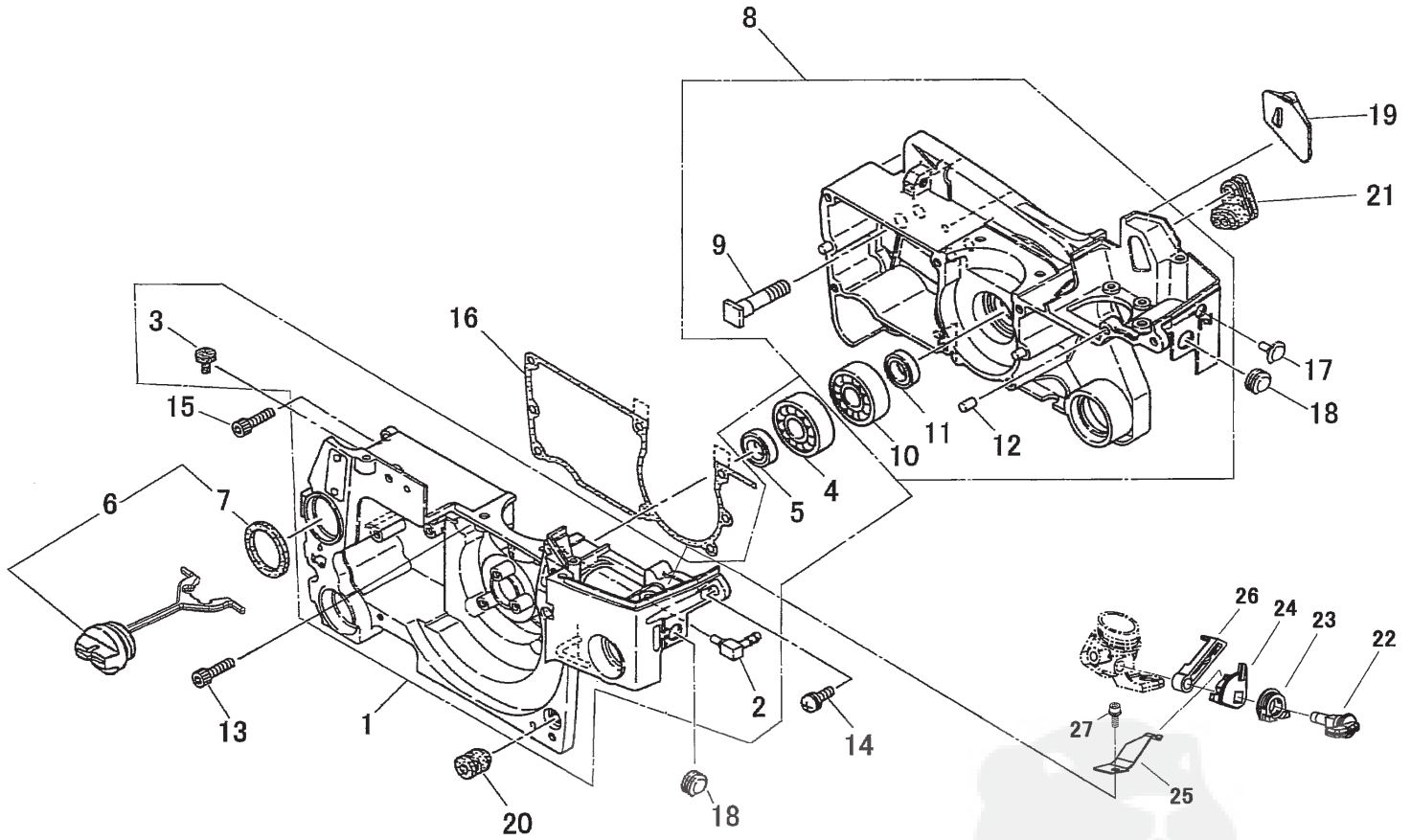
ILLUSTRATION 1 - REV 4/07



| Ref. No | Part No. | Part Name | Q'ty |
|---------|-------------|----------------------|------|
| 1-1 | 22157-12110 | CYLINDER | 1 |
| 2 | 22160-12121 | GASKET CYLINDER | 1 |
| 3 | 22157-12130 | BOLT | 4 |
| 4 | 22160-22220 | PLUG SWITCH | 1 |
| 5 | 22160-12150 | BOOT | 1 |
| 6 | 22160-12160 | SPRING | 1 |
| 7 | 22160-12170 | SEAL | 1 |
| 8 | 22115-14140 | SLEEVE | 1 |
| 9 | 72312-15100 | MUFFLER SUB ASSEMBLY | 1 |
| 10 | 72312-15220 | *SILENCER | 1 |
| 11 | 22160-15210 | *TAIL PLATE | 1 |
| 12 | 11203-04060 | *SCREW PM | 2 |
| 13 | 22160-15311 | GASKET MUFFLER | 1 |
| 14 | 22157-12130 | BOLT | 2 |
| 15 | 22157-15330 | BOLT | 2 |

CRANKCASE

ILLUSTRATION 2 - REV 4/07



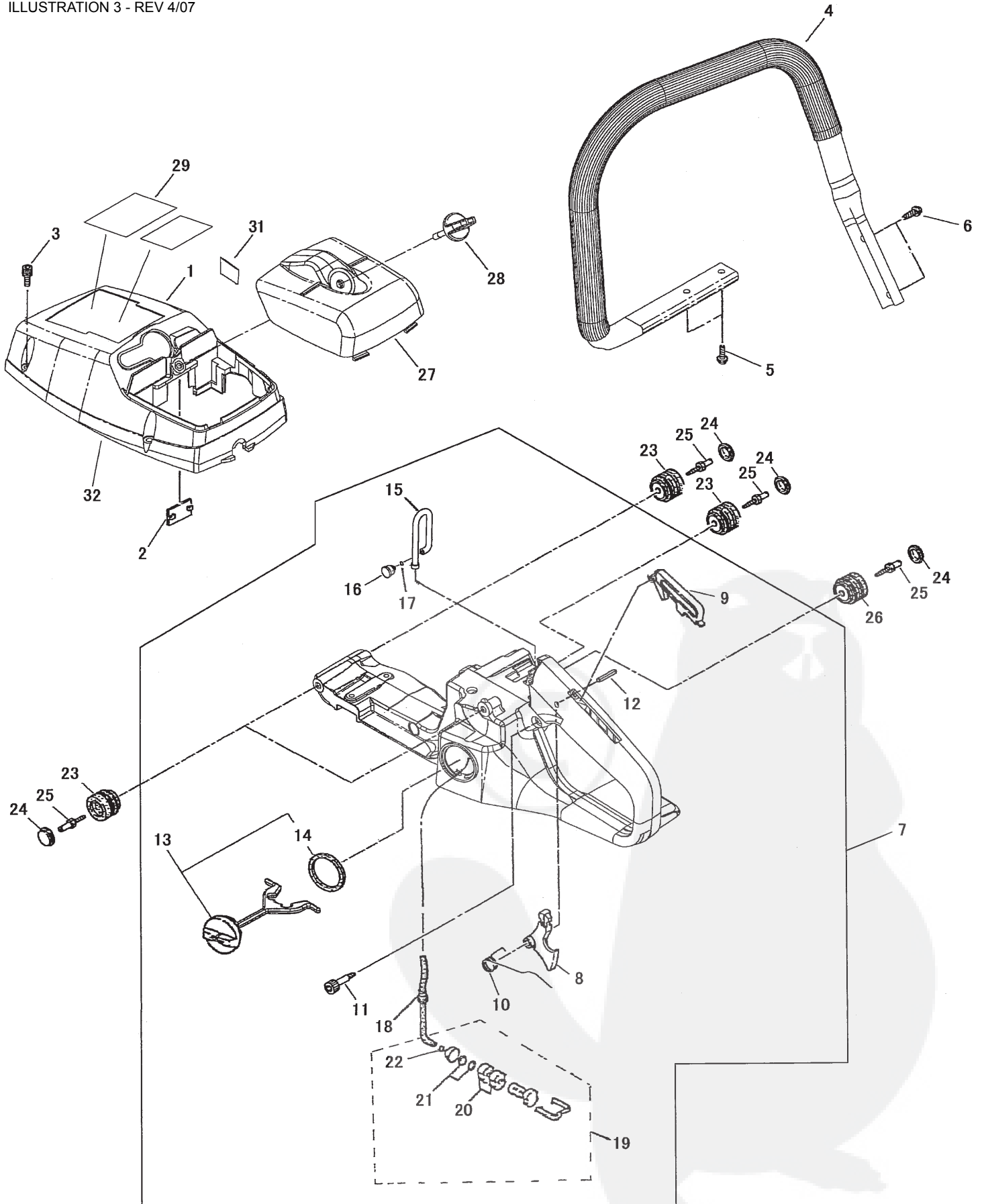
| Ref. No | Part No. | Part Name | Q'ty |
|---------|-------------|------------------|------|
| 2-1 | 39309-21010 | CRANKCASE M COMP | 1 |
| 2 | 22150-21220 | *PULSE JOINT | 1 |
| 3 | 22115-57120 | *VALVE OIL TANK | 1 |
| 4 | 12900-62010 | *BEARING | 1 |
| 5 | 22150-21250 | *OIL SEAL | 1 |
| 6 | 39309-21030 | CAP ASSEMBLY | 1 |
| 7 | 39309-21250 | *GASKET | 1 |
| 8 | 39309-21021 | CRANKCASE C COMP | 1 |
| 9 | 22160-21520 | *BOLT BAR | 2 |
| 10 | 12900-62010 | *BEARING | 1 |
| 11 | 22150-21250 | *OIL SEAL | 1 |
| 12 | 12492-50100 | *ROLLER | 3 |
| 13 | 22157-21750 | BOLT | 4 |
| 14 | 22157-21760 | SCREW PM | 1 |

| Ref. No | Part No. | Part Name | Q'ty |
|---------|-------------|--------------|------|
| 15 | 22157-12130 | BOLT | 2 |
| 16 | 22160-21720 | GASKET CASE | 1 |
| 17 | 15270-02004 | CLAMP | 1 |
| 18 | 22160-22220 | PLUG SWITCH | 2 |
| 19 | 22160-22250 | STOPPER H | 1 |
| 20 | 22160-33730 | SUPPORTER | 1 |
| 21 | 69026-21310 | GROMMET | 1 |
| 22 | 69020-21311 | SWITCH LEVER | 1 |
| 23 | 69020-21321 | BUSH | 1 |
| 24 | 69020-21332 | SWITCH | 1 |
| 25 | 69020-21341 | SPRING PLATE | 1 |
| 26 | 69020-21351 | CHOKE LEVER | 1 |
| 27 | 11022-04100 | BOLT SPW | 1 |

* Denotes item is part of an assembly ** Denotes item is part of a sub-assembly

CYLINDER COVER / FRONT & REAR HANDLE

ILLUSTRATION 3 - REV 4/07



CYLINDER COVER / FRONT & REAR HANDLE

ILLUSTRATION 3 - REV 4/07

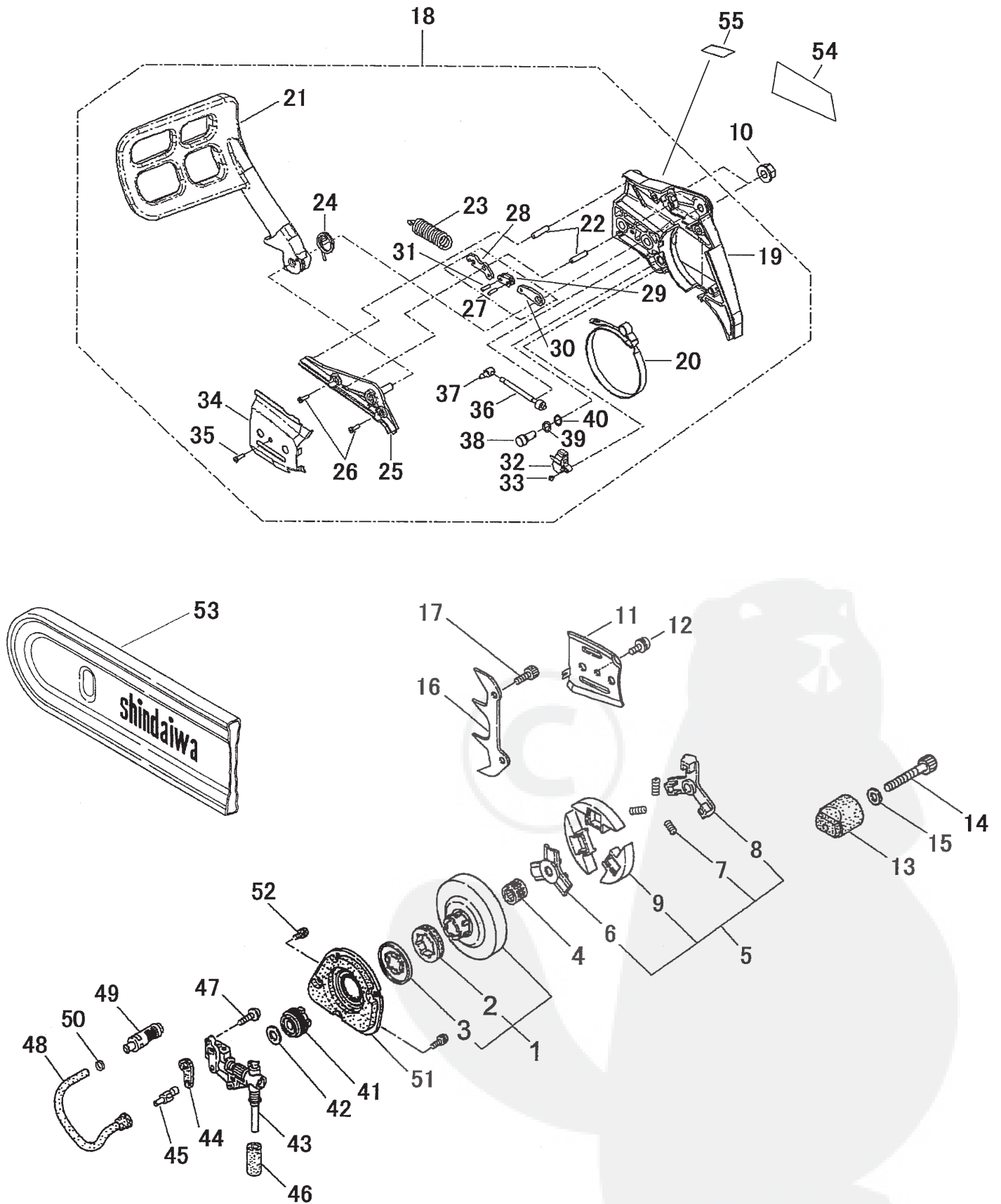
| Ref. No | Part No. | Part Name | Q'ty |
|---------|-------------|----------------------|------|
| 3- 1 | 69020-31111 | CYLINDER COVER | 1 |
| 2 | 22160-31120 | PLUG | 1 |
| 3 | 22160-31150 | BOLT SW | 3 |
| 4 | 69020-32111 | FRONT HANDLE | 1 |
| 5 | 22160-32210 | SCREW PC | 2 |
| 6 | 22160-32220 | SCREW PC | 2 |
| 7 | 69020-32020 | REAR HANDLE ASSEMBLY | 1 |
| 8 | 39309-32240 | *THROTTLE LEVER | 1 |
| 9 | 22160-33360 | *LOCK LEVER | 1 |
| 10 | 22160-33370 | *SPRING LEVER | 1 |
| 11 | 22160-33380 | *BOLT LEVER | 1 |
| 12 | 12420-40255 | *SPRING PIN | 1 |
| 13 | 39309-32040 | *CAP ASSEMBLY | 1 |
| 14 | 39309-32270 | **GASKET | 1 |
| 15 | 39309-32330 | *PIPE | 1 |
| 16 | 22197-33960 | *VALVE | 1 |

| Ref. No | Part No. | Part Name | Q'ty |
|---------|-------------|---------------------------|------|
| 17 | 20020-85540 | *CLIP | 1 |
| 18 | 39309-32340 | *FUEL PIPE | 1 |
| 19 | 22115-85401 | *FUEL FILTER SUB ASSEMBLY | 1 |
| 20 | 22128-85421 | **FILTER | 2 |
| 21 | 22118-85460 | **SCREEN | 2 |
| 22 | 20020-85540 | **CLIP | 1 |
| 23 | 22160-33710 | CUSHION27 | 3 |
| 24 | 22160-33720 | PLUG27 | 5 |
| 25 | 22160-33770 | STOPPER BOLT | 5 |
| 26 | 22160-97810 | CUSHION27 | 2 |
| 27 | 69020-82131 | CLEANER COVER | 1 |
| 28 | 69020-82360 | KNOB | 1 |
| 29 | 19402-00307 | LABEL CAUTION | 1 |
| 31 | 19401-00094 | LABEL INST | 1 |
| 32 | 19426-00016 | LABEL MARK | 1 |



CLUTCH ASSEMBLY / DRUM / COVER

ILLUSTRATION 5 - REV 4/07



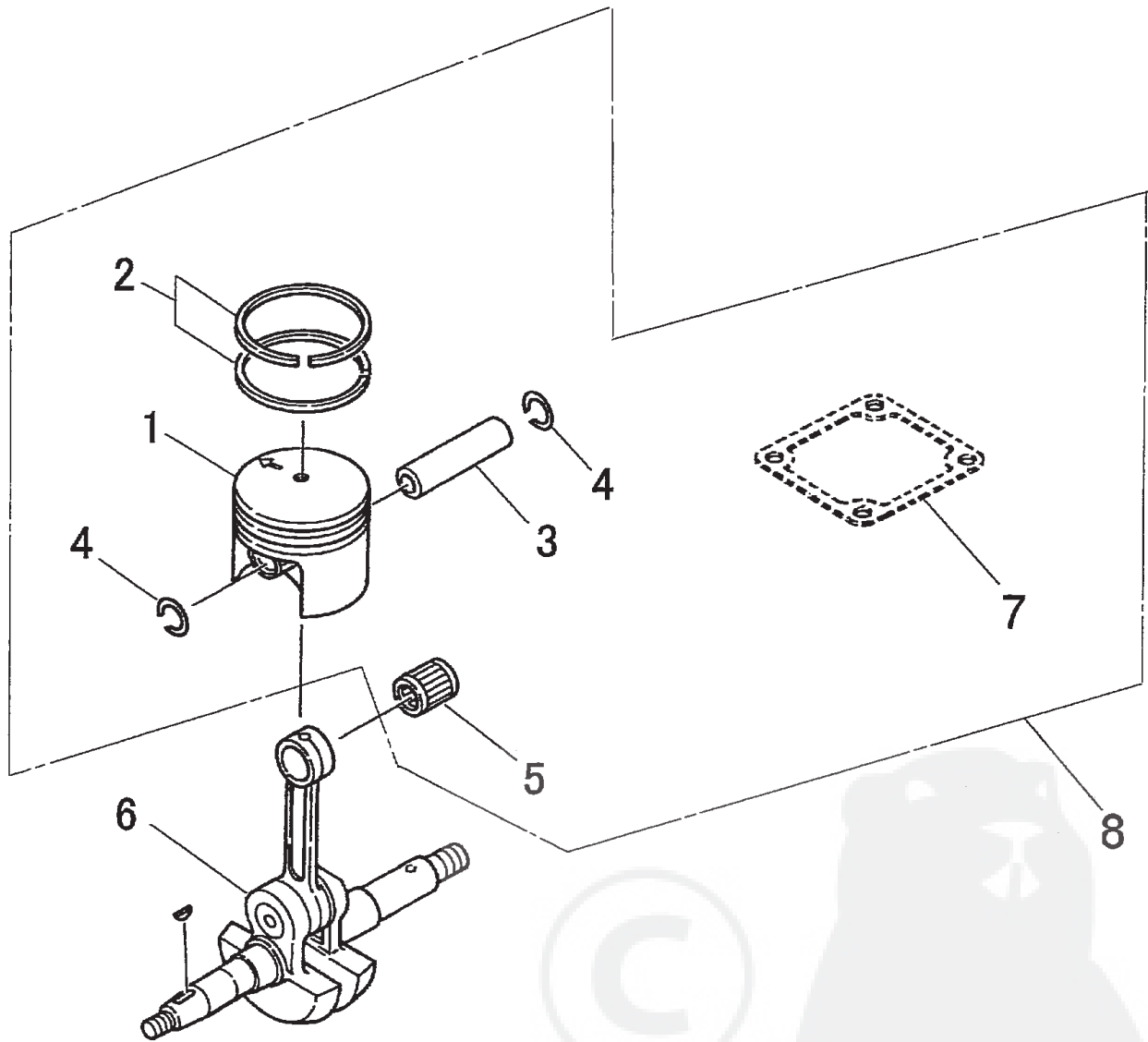
CLUTCH ASSEMBLY / DRUM / COVER

ILLUSTRATION 5 - REV 4/07

| Ref. No | Part No. | Part Name | Q'ty |
|---------|-------------|-------------------------|------|
| 5-1 | 22160-51501 | CLUTCH DRUM ASSEMBLY | 1 |
| 2 | 22131-98120 | *RIM | 1 |
| 3 | 22160-51530 | *COVER | 1 |
| 4 | 22100-51310 | NEEDLE BEARING | 1 |
| 5 | 22160-51200 | CLUTCH ASSEMBLY | 1 |
| 6 | 22160-51210 | *CLUTCH BOSS A | 1 |
| 7 | 22160-51230 | *CLUTCH SPRING | 3 |
| 8 | 22160-51240 | *CLUTCH BOSS B | 1 |
| 9 | 22160-51220 | *CLUTCH SHOE | 3 |
| 10 | 22182-52411 | NUT | 2 |
| 11 | 22160-97630 | GUIDE PLATE C | 1 |
| 12 | 22173-56150 | SCREW | 1 |
| 13 | 22160-52511 | CHAIN CATCHER | 1 |
| 14 | 22155-12190 | BOLT | 1 |
| 15 | 01611-05100 | WASHER | 1 |
| 16 | 22160-52530 | SPIKE | 1 |
| 17 | 22157-15330 | BOLT | 2 |
| 18 | 69020-53010 | CLUTCH COVER ASSEMBLY | 1 |
| 19 | 69020-53111 | *CLUTCH COVER | 1 |
| 20 | 69020-53211 | *BRAKE BAND | 1 |
| 21 | 69020-53221 | *LEVER | 1 |
| 22 | 12492-50210 | *ROLLER | 2 |
| 23 | 17510-16000 | :COIL SPRING | 1 |
| 24 | 17520-20000 | *COIL SPRING | 1 |
| 25 | 69020-53351 | *COVER | 1 |
| 26 | 01280-05142 | *SCREW TAPPING | 2 |
| 27 | 69020-53360 | *LINK COMP | 1 |
| 28 | 69020-53311 | **INNER LEVER | 1 |
| 29 | 69020-53321 | **TIE STRAP | 1 |
| 30 | 69020-53331 | **LINK | 1 |
| 31 | 12492-30110 | **ROLLER | 2 |
| 32 | 69020-52321 | *COVER | 1 |
| 33 | 01270-03122 | *SCREW TAPPING | 1 |
| 34 | 69020-53121 | *GUIDE PLATE | 1 |
| 35 | 22188-54120 | *SCREW TAPPING | 1 |
| 36 | 69020-52111 | *SLIDE SCREW | 1 |
| 37 | 69020-52121 | *SLIDE PIECE | 1 |
| 38 | 69020-52311 | *GEAR | 1 |
| 39 | 02304-00702 | *O-RING | 1 |
| 40 | 11620-10002 | *WASHER | 1 |
| 41 | 22154-55110 | GEAR | 1 |
| 42 | 22154-55120 | THRUST PLATE | 1 |
| 43 | 22160-55200 | OIL PUMP ASSEMBLY | 1 |
| 44 | 22150-55411 | GASKET PUMP | 1 |
| 45 | 22160-55420 | ELBOW | 1 |
| 46 | 22155-55430 | FILTER | 1 |
| 47 | 11205-04160 | SCREW PM | 2 |
| 48 | 22160-55310 | OIL PIPE | 1 |
| 49 | 22169-57360 | OIL FILTER | 1 |
| 50 | 22100-57370 | CRIP OIL FILTER | 1 |
| 51 | 72317-56100 | PUMP COVER SUB ASSEMBLY | 1 |
| 52 | 22160-56150 | SCREW PMSW | 4 |
| 53 | 19600-69900 | CHAIN COVER | 1 |
| 54 | 69020-91330 | LABEL TRADE | 1 |
| 55 | 19401-00093 | LABEL INST | 1 |

CRANKSHAFT / PISTON

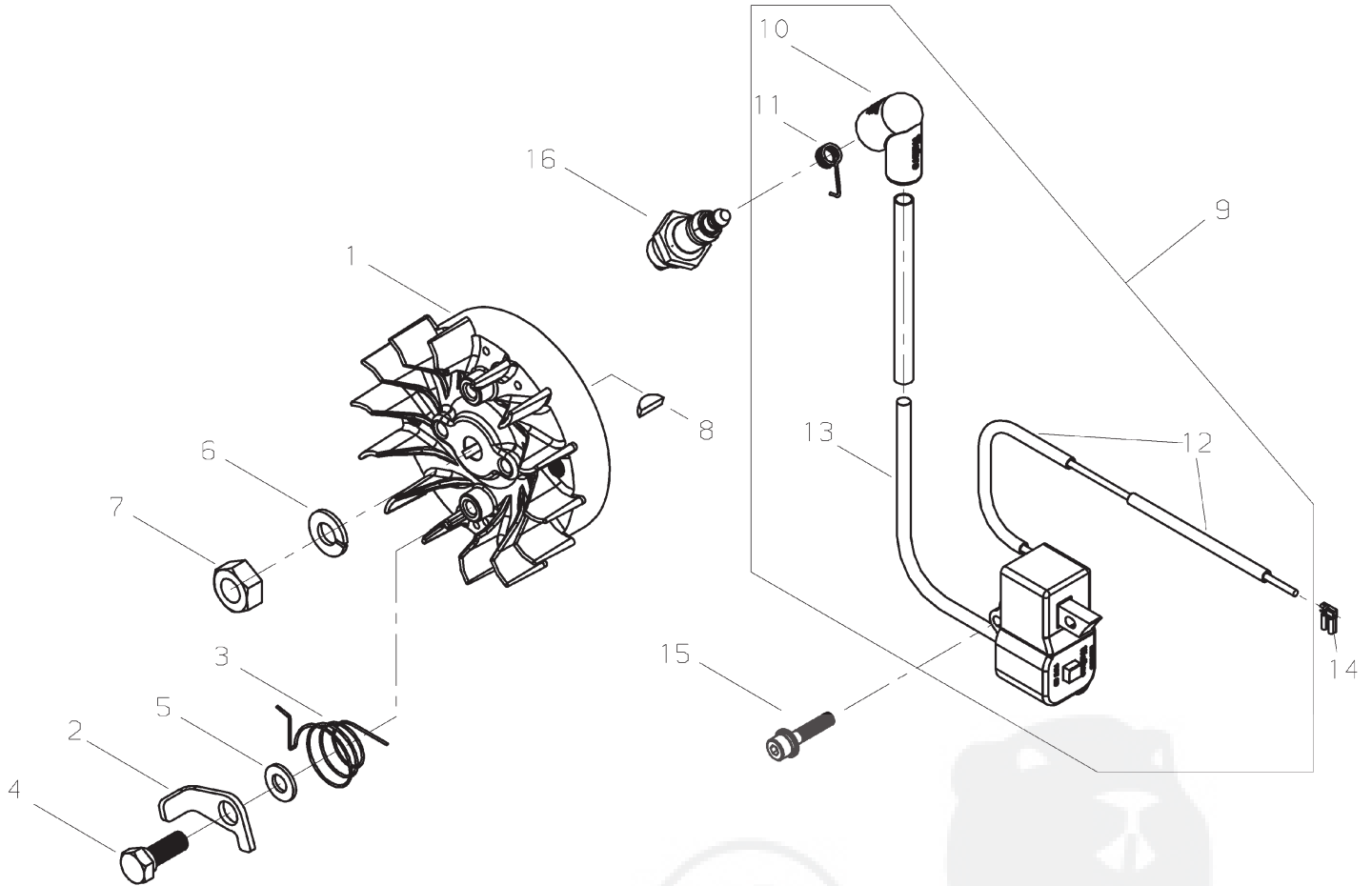
ILLUSTRATION 4 - REV 4/07



| Ref. No | Part No. | Part Name | Q'ty |
|---------|-------------|------------------|------|
| 4- 8 | 72365-98011 | PISTON SET | 1 |
| 1 | 22157-41112 | *PISTON | 1 |
| 2 | 22157-41210 | *PISTON RING | 2 |
| 3 | 22157-41220 | *PISTON PIN | 1 |
| 4 | 22100-41230 | *SNAP RING | 2 |
| 5 | 22160-41240 | *BEARING SE | 1 |
| 7 | 22160-12121 | *GASKET CYLINDER | 1 |
| 6 | 22160-42002 | CRANKSHAFT | 1 |

ROTOR / COIL ASSEMBLY

ILLUSTRATION 6 - REV 4/07

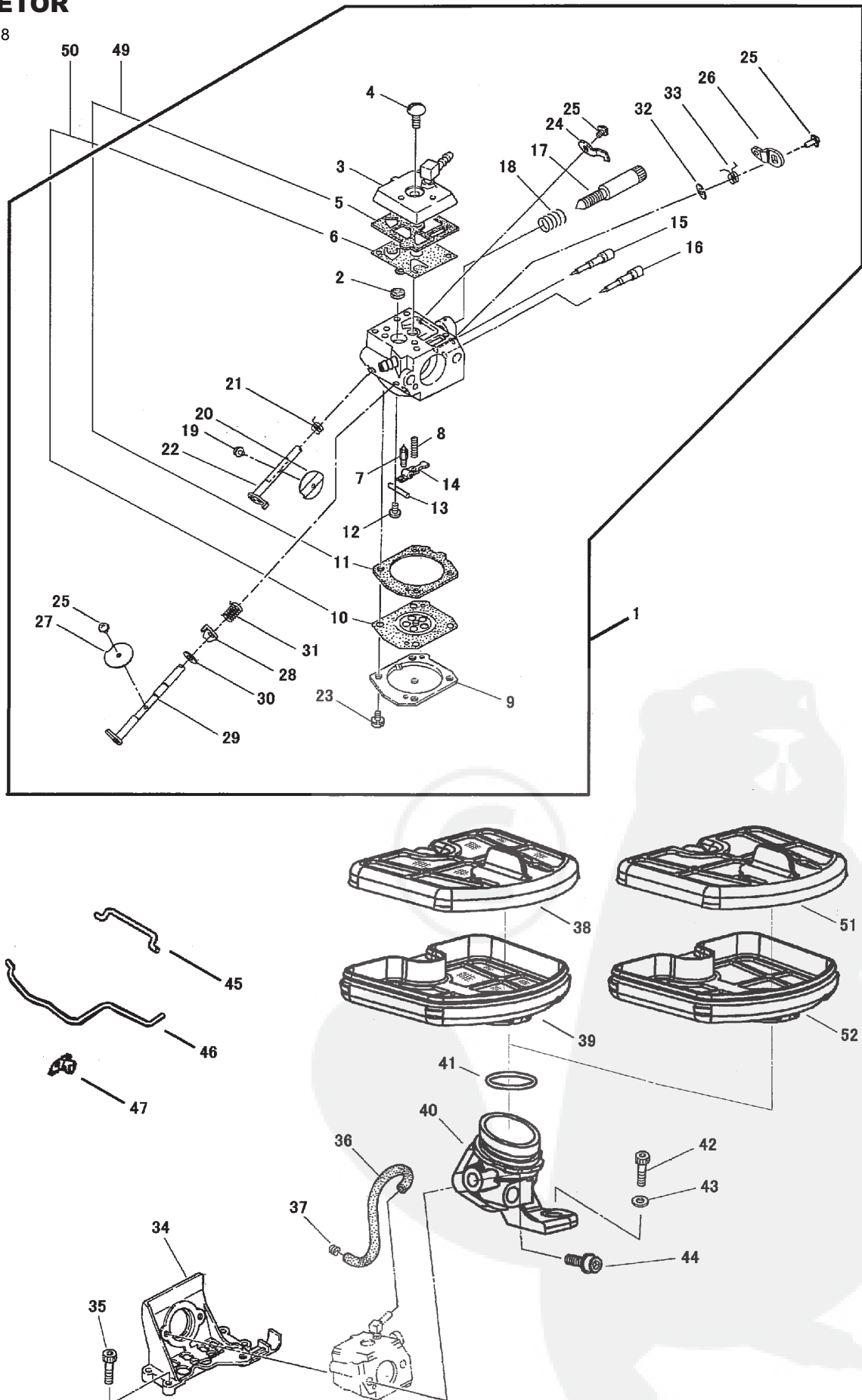


| Ref. No | Part No. | Part Name | Q'ty |
|---------|-------------|-----------------|------|
| 6-1 | 69020-71111 | ROTOR | 1 |
| 2 | 22182-71412 | RATCHET | 2 |
| 3 | 22182-71421 | SPRING RATCHET | 2 |
| 4 | 22182-71440 | BOLT | 2 |
| 5 | 22182-71430 | WASHER | 2 |
| 6 | 01600-08201 | SPRING WASHER | 1 |
| 7 | 22100-43231 | NUT | 1 |
| 8 | 12408-03100 | KEY | 1 |
| 9 | 69020-71021 | COIL ASSEMBLY | 1 |
| 10 | 62905-71250 | *PLUG CAP | 1 |
| 11 | 69020-71320 | *COIL SPRING | 1 |
| 12 | 69020-71331 | *TUBE | 2 |
| 13 | 69020-71340 | *TUBE | 1 |
| 14 | 69020-98340 | CONNECTOR | 1 |
| 15 | 11024-04200 | BOLT SW | 2 |
| 16 | 13000-13507 | SPARKPLUGBPMR7A | 1 |

* Denotes item is part of an assembly ** Denotes item is part of a sub-assembly

CARBURETOR

ILLUSTRATION 8
REV 4/07



CARBURETOR

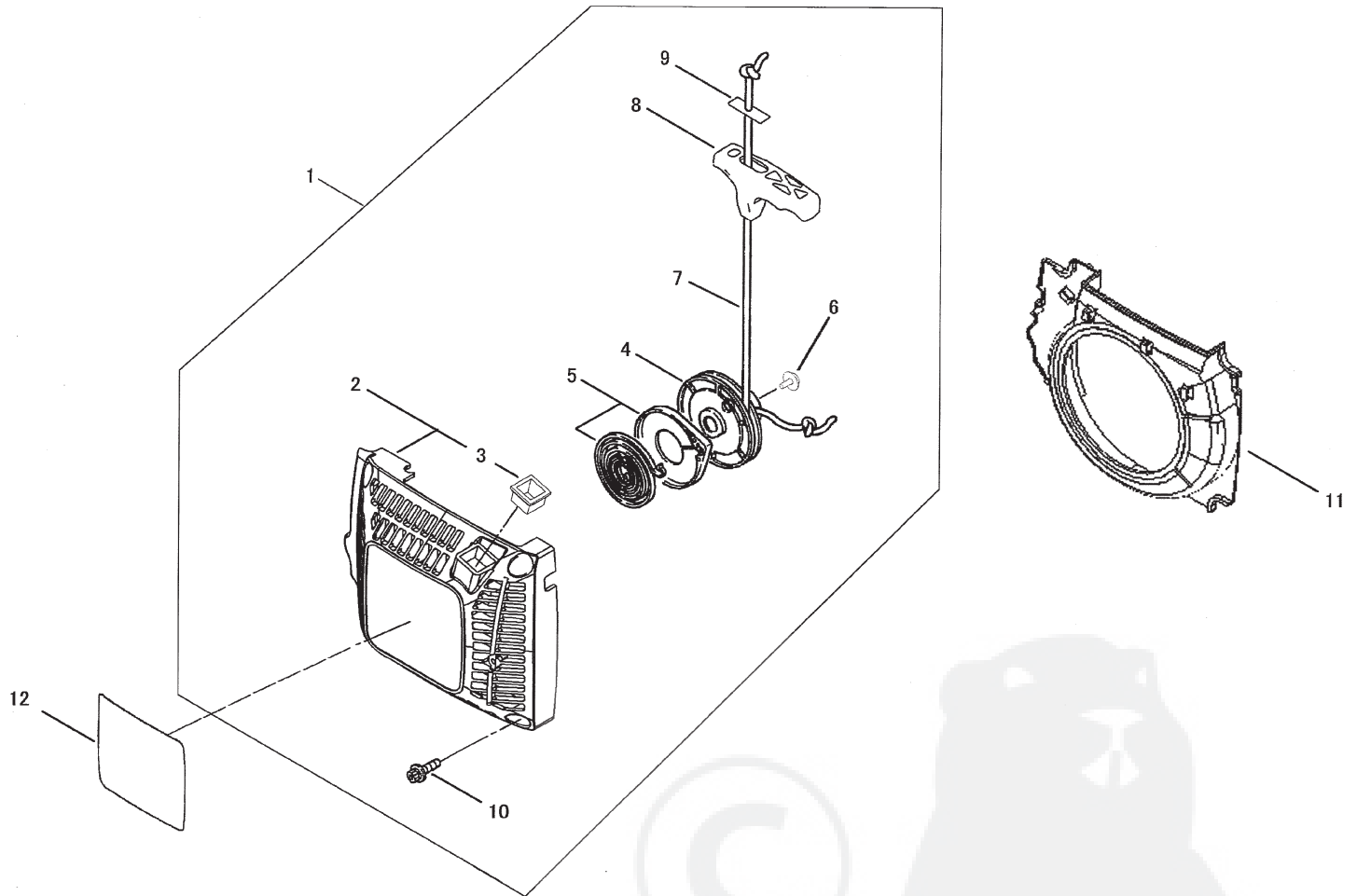
ILLUSTRATION 8 - REV 4/07

| Ref. No | Part No. | Part Name | Q'ty |
|---------|-------------|----------------------|------|
| 8- 1 | 69020-81010 | CARBURETOR ASSEMBLY | 1 |
| 2 | 70030-81380 | *SCREEN | 1 |
| 3 | 72365-81120 | *PUMP COVER ASSEMBLY | 1 |
| 4 | 22100-81130 | *SCREW | 1 |
| 5 | 22150-81140 | *GASKET PUMP | 1 |
| 6 | 22150-81150 | *DIAPHRAGM PUMP | 1 |
| 7 | 20036-81440 | *NEEDLE VALVE | 1 |
| 8 | 72342-81270 | *SPRING LEVER | 1 |
| 9 | 22150-81280 | *COVER DIAPHRAGM | 1 |
| 10 | 22150-81260 | *DIAPHRAGM ASSEMBLY | 1 |
| 11 | 22150-81290 | *GASKET DIAPHRAGM | 1 |
| 12 | 22100-81240 | *SCREW | 1 |
| 13 | 22100-81250 | *PIN | 1 |
| 14 | 22160-81230 | *LEVER | 1 |
| 15 | 69022-81320 | *NEEDLE | 1 |
| 16 | 69020-81320 | *NEEDLE | 1 |
| 17 | 22156-81410 | *IDLE SCREW | 1 |
| 18 | 22156-81420 | *SPRING IDLE | 1 |
| 19 | 20803-81140 | *SCREW | 1 |
| 20 | 22100-81340 | *THROTTLE VALVE | 1 |
| 21 | 22150-81430 | *RETURN SPRING | 1 |
| 22 | 39309-81320 | *THROTTLE SHAFT | 1 |
| 23 | 22100-81351 | *SCREW | 4 |
| 24 | 22160-81390 | *STOPPER | 1 |
| 25 | 20803-81150 | *SCREW | 3 |
| 26 | 69020-81330 | *CHOKE LEVER | 1 |

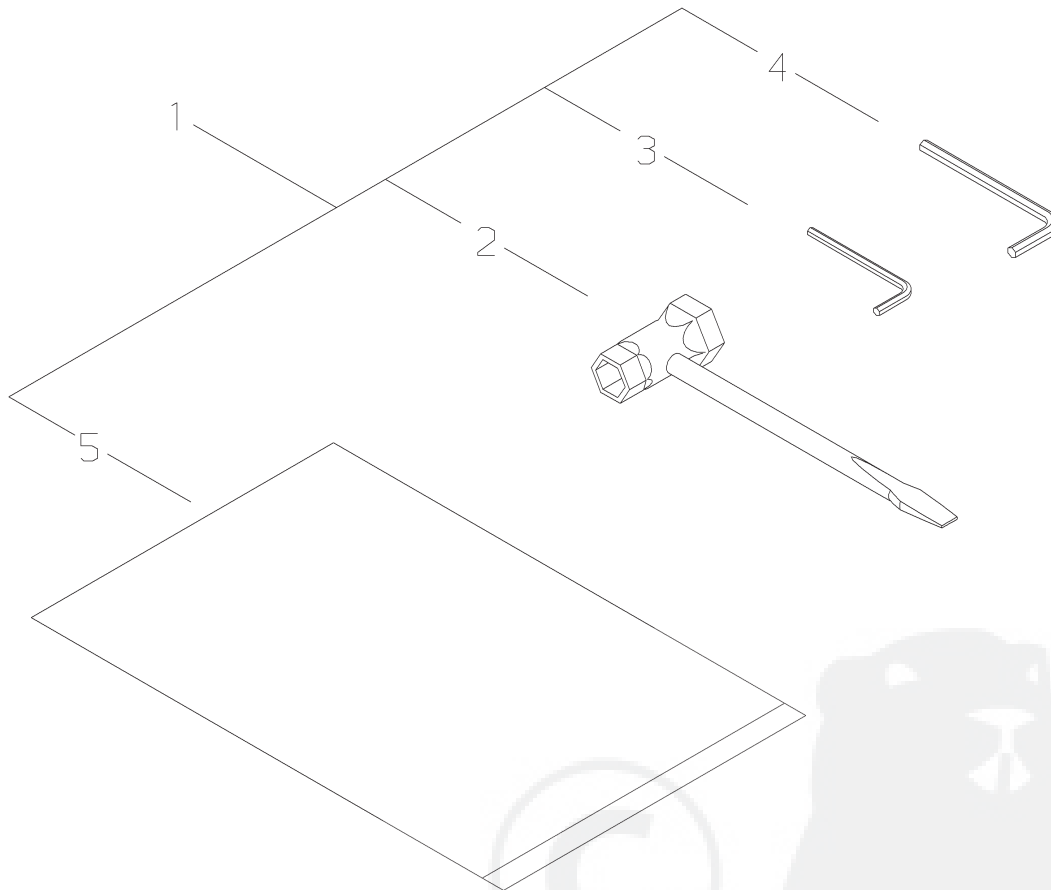
| Ref. No | Part No. | Part Name | Q'ty |
|---------|-------------|-------------------|------|
| 27 | 22160-81710 | *CHOKE VALVE | 1 |
| 28 | 39309-81350 | *LEVER | 1 |
| 29 | 39309-81340 | *CHOKE SHAFT | 1 |
| 30 | 20036-81185 | *WASHER | 1 |
| 31 | 69020-81340 | *COIL SPRING | 1 |
| 32 | 70030-81390 | *E-RING | 1 |
| 33 | 69020-81350 | *COIL SPRING | 1 |
| 34 | 22160-82111 | MOUNT | 1 |
| 35 | 11024-04160 | BOLT SLPW | 4 |
| 36 | 22160-82210 | PULSE PIPE | 1 |
| 37 | 22150-82140 | CLIP PULSE | 1 |
| 38 | 69020-82321 | AIR CLEANER UPPER | 1 |
| 39 | 69020-82331 | AIR CLEANER LOWER | 1 |
| 40 | 69020-82341 | ELBOW | 1 |
| 41 | 69020-82370 | O-RING | 1 |
| 42 | 22157-12130 | BOLT | 1 |
| 43 | 01613-05080 | WASHER | 1 |
| 44 | 11022-05500 | BOLT SPW | 2 |
| 45 | 69020-83311 | CHOKE ROD | 1 |
| 46 | 39309-83331 | THROTTLE ROD | 1 |
| 47 | 22160-82360 | GROMMET ROD | 1 |
| 49 | 22150-81930 | GASKET KIT | 1 |
| 50 | 22150-81940 | DIAPHRAGM KIT | 1 |
| 51 | 69020-98321 | AIR CLEANER UPPER | 1 |
| 52 | 69020-98331 | AIR CLEANER LOWER | 1 |

RECOIL STARTER

ILLUSTRATION 7 - REV 4/07



| Ref. No | Part No. | Part Name | Q'ty |
|---------|-------------|-------------------------|------|
| 7- 1 | 69020-75012 | RECOIL STARTER ASSEMBLY | 1 |
| 2 | 69020-75111 | *STARTER CASE | 1 |
| 3 | 22182-75120 | **GUIDE | 1 |
| 4 | 22182-75212 | *REEL | 1 |
| 5 | 22155-75410 | *RECOIL SPRING ASSEMBLY | 1 |
| 6 | 72320-75420 | *SCREW TAPPING | 1 |
| 7 | 22182-75410 | *ROPE | 1 |
| 8 | 22182-75420 | *KNOB RECOIL | 1 |
| 9 | 22104-75430 | *STOPPER KNOB | 1 |
| 10 | 11060-04163 | *BOLT ADHESIVE | 4 |
| 11 | 22160-75613 | AIR PLATE | 1 |
| 12 | 69020-91321 | LABEL TRADE | 1 |



| Ref. No | Part No. | Part Name | Q'ty |
|---------|-------------|----------------|------|
| 9- 1 | 69023-92310 | TOOL SET | 1 |
| 2 | 22102-91410 | *PLUG WRENCH | 1 |
| 3 | 09026-03001 | *HEXAWRENCH4MM | 1 |
| 4 | 09026-04001 | *HEXAWRENCH5MM | 1 |
| 5 | 19639-01100 | *POLYBAG | 1 |

* Denotes item is part of an assembly ** Denotes item is part of a sub-assembly



shindaiwa

www.shindaiwa.com

11975 SW Herman Road, Tualatin, Oregon 97062, U.S.A.

1 + 503.692.3070 • fax 1 + 503.692.6696 •

Item #xxxx Effective 04/07