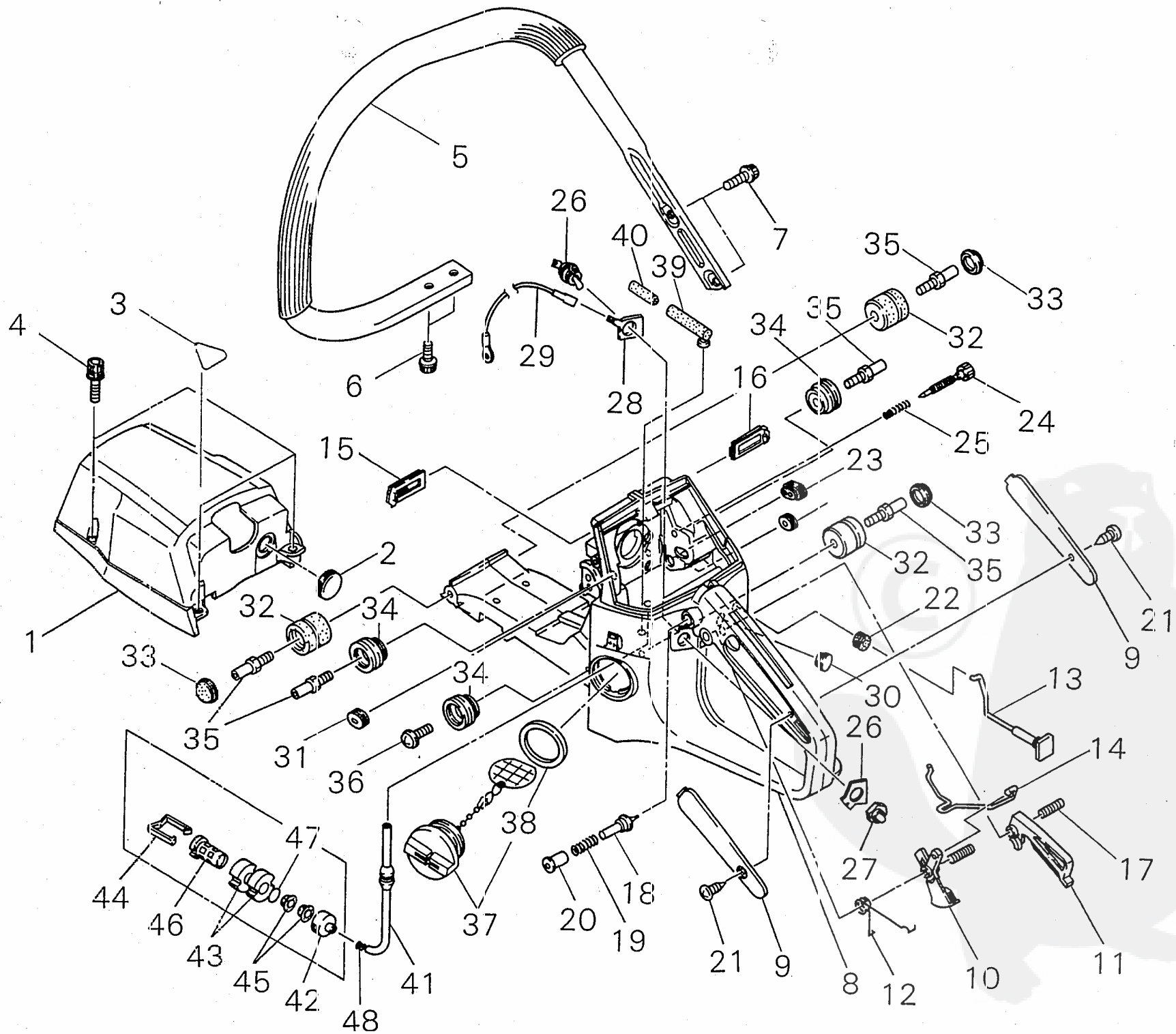


PRICE:(¥)

Ref. No	Part No.	Part Name	Q'ty	Remarks
2-	22169-21203	CRANK CASE M COMP	1	
1	22169-21212	• CRANK CASE M	1	
2	22150-21220	• PULSE JOINT	1	
3	02030-06202	• BEARING	1	
4	22155-21630	• OIL SEAL	1	
5	22115-57120	• VALVE OIL TANK	1	
6	12492-50100	• ROLLER	2	
7	22169-21300	CAP ASSY	1	
8	22160-33821	• GASKET	1	
	22169-21502	CRANK CASE C COMP	1	
9	22169-21511	• CRANK CASE C	1	
10	22169-21520	• BOLT BAR	2	
11	02030-06203	• BEARING	1	
12	22169-21630	• OIL SEAL	1	
13	22169-21910	BOLT	7	



PRICE:(¥)

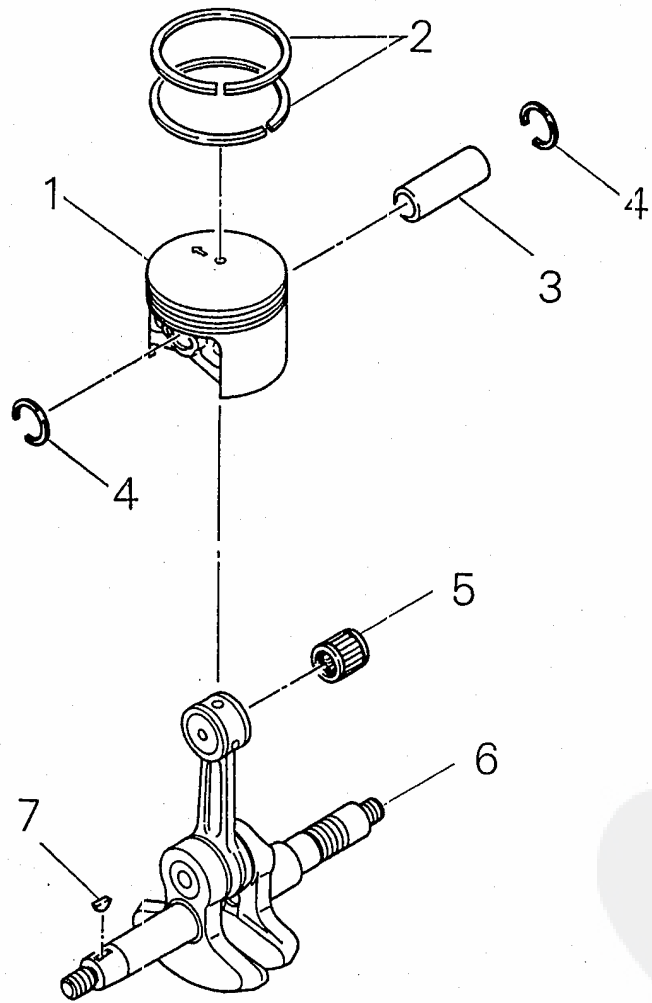
Ref. No.	Part No.	Part Name	Q'ty	emarks
3- 1	22169-31110	CYLINDER COVER	1	
2	22102-32140	PLUG BRACKET	1	
3	19402-00083	LABEL CAUTION	1	
4	22169-31250	BOLT SPW	3	
5	22169-32111	FRONT HANDLE	1	
6	22169-32210	BOLT PC	2	
7	22169-32220	BOLT PC	2	
	22169-33102	REAR HANDLE SUB ASSY	1	
8	22169-33201	• REAR HANDLE	1	
9	22169-33310	• PLATE GRIP	2	
10	22169-33321	• THROTTLE LEVER	1	
11	22169-33330	• LOCK LEVER	1	
12	22150-33340	• SPRING LEVER	1	
13	22150-82120	• CHOKE ROD	1	
14	22169-33360	• THROTTLE ROD	1	
15	22169-33380	• SUB CLEANER	1	
16	22169-33390	• PLUG	1	
17	12420-50284	• SPRING PIN	2	
18	72171-33170	• STOPPER	1	
19	22100-33180	• SPRING	1	
20	22100-33190	• KNOB STOPPER	1	
21	01280-04102	• SCREW TAPPING	2	
22	22150-33410	GROMMET CHOKE	1	
23	22150-33420	GROMMET CARBURETOR	1	
24	22155-33450	ADJUST SCREW	1	
25	22155-33460	SPRING ADJUST	1	
26	22155-33501	SWITCH ASSY	1	
27	22155-33530	• NUT	1	
28	22169-33540	EARTH PLATE	1	
29	22169-33550	EARTH CORD	1	
30	22150-33630	PLUG	1	
31	22150-33640	GROMMET	2	
32	72332-33710	CUSHION 26	3	
33	22150-33720	PLUG 26	3	
34	72332-33740	CUSHION	3	
35	22169-33770	STOPPER BOLT	5	
36	22160-32210	SCREW PC	1	
37	22160-33801	CAP ASSY	1	

PARTS LIST  
SHINDAIWA  
(LI38 LIA0380P)

CE

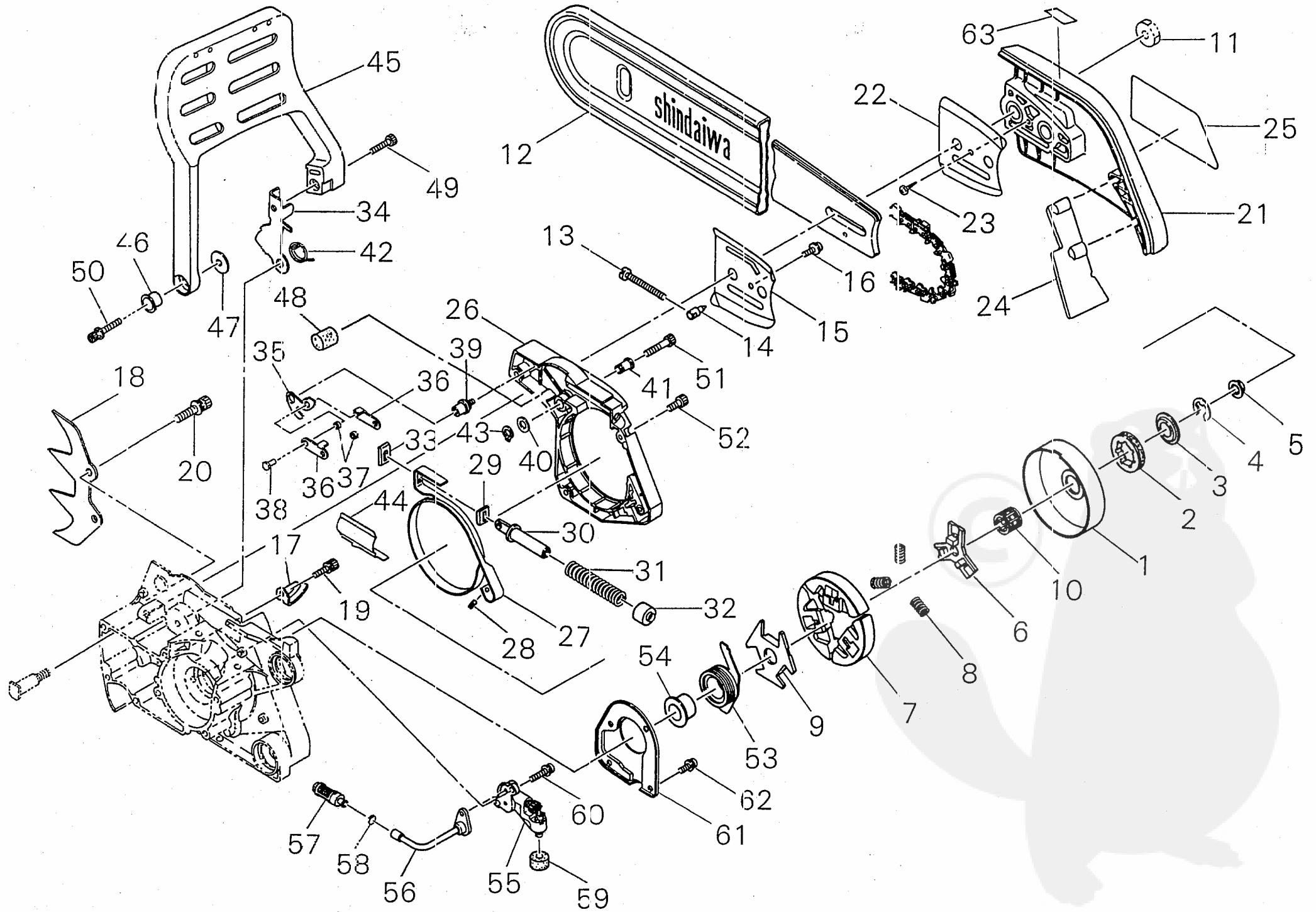
PRICE:(¥)

Ref. No.	Part No.	Part Name	Q' ty	emarks
3- 38	22160-33821	GASKET	1	
39	22169-33940	PIPE	1	
40	22157-33950	ELEMENT	1	
41	22169-34110	FUEL PIPE	1	
	22169-35400	FUEL FILTER SUB ASSY	1	
42	22128-85410	WEIGHT FUEL	1	
43	22169-35420	FILTER	2	
44	22128-85440	CLIP FILTER	1	
45	22118-85460	SCREEN	2	
46	22128-85470	SLEEVE	1	
47	22128-85480	RING	1	
48	20020-85540	CLIP	1	









PRICE:(¥)

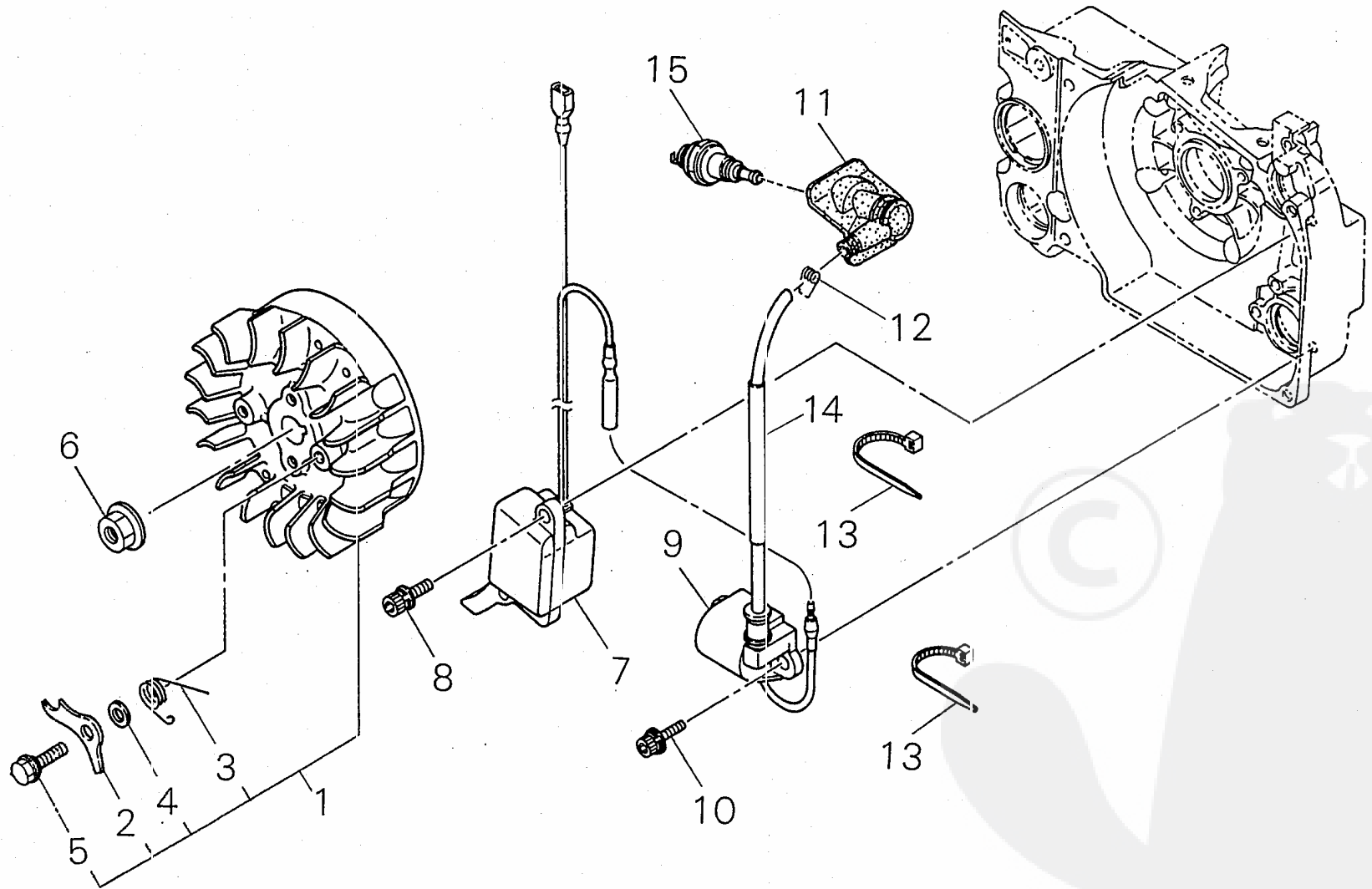
Ref. No	Part No.	Part Name	Q'ty	emarks
5-	22169-51100	CLUTCH DRUM ASSY	1	
1	22169-51110	• CLUTCH DRUM	1	
2	22150-51520	• RIM	1	
3	22169-51130	• WASHER	1	
4	22169-51140	• SNAP RING	1	
5	22169-51170	• NUT	1	
	72332-51200	CLUTCH ASSY	1	
6	22169-51210	• CLUTCH BOSS A	1	
7	72332-51220	• CLUTCH SHOE	3	
8	22150-51230	• CLUTCH SPRING	3	
9	22169-51240	• CLUTCH BOSS B	1	
10	22150-51310	BEARING	1	
11	22154-52410	NUT	2	
12	19600-84100	CHAIN COVER	1	
13	22169-53310	SLIDE SCREW	1	
14	22150-52440	SLIDE PIECE	1	
15	22169-52460	GUIDE PLATE A	1	
16	11205-04100	SCREW PM PW	1	
17	22169-52510	CHAIN CATCHER	1	
18	22150-97320	LONG SPIKE	1	
19	11022-05200	BOLT SPW	1	
20	22157-12130	BOLT	2	
21	22169-53111	CLUTCH COVER	1	
22	22169-53120	GUIDE PLATE B	1	
23	01280-04102	SCREW TAPPING	1	
24	22169-53140	PROTECTOR	1	
25	22169-92170	NAME PLATE C	1	
	72339-54100	BRAKE ASSY	1	
26	22169-54112	• BRAKE HOLDER	1	
27	72332-54210	• BRAKE BAND	1	
28	02427-40105	• PIN	1	
29	72316-54310	• ADJUST PLATE	1	
30	72332-54321	• SPRING HOLDER	1	
31	72316-54230	• BRAKE SPRING	1	
32	22169-54340	• STOPPER	1	
33	72332-54350	• ADJUST PLATE	1	
34	72332-54510	• LEVER	1	
35	72332-54520	• INNER LEVER	1	

PARTS LIST  
SHINDAIWA  
(LI38 LIA0380P)

3E

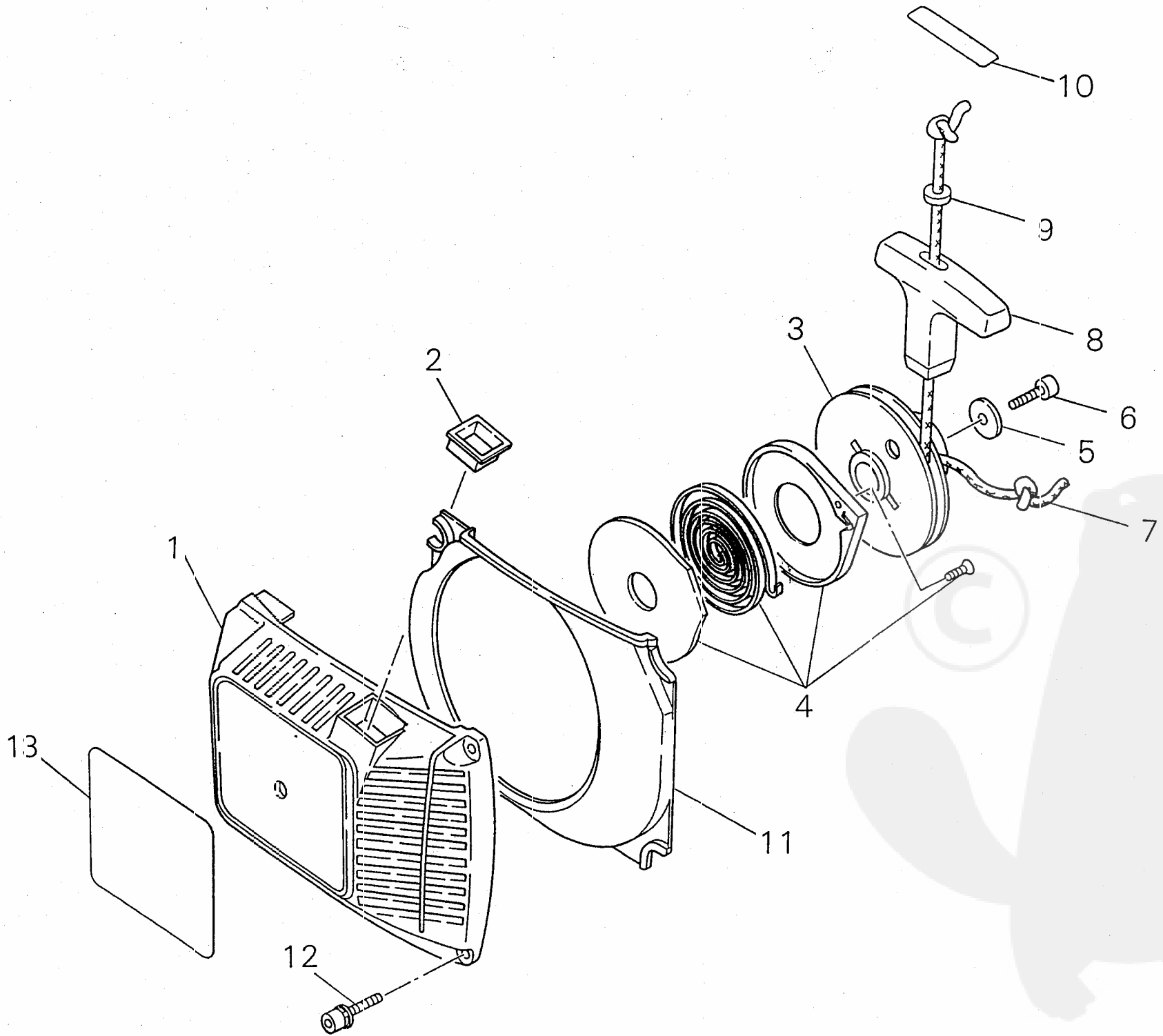
PRICE:(¥)

Ref. No.	Part No.	Part Name	Q'ty	Remarks
5- 36	22169-54540	• TIE STRAP	2	
37	22169-54550	• COLLER	2	
38	22169-54570	• RIBET	2	
39	22169-54580	• BOLT LEVER	1	
40	01613-08160	• WASHER	1	
41	22169-54620	• SPACER	1	
42	22169-54630	• SPRING LEVER	1	
43	02430-08080	• SNAP RING	1	
44	22169-54640	• SPRING COVER	1	
45	72332-54650	• GUARD	1	
46	22169-54660	• SPACER	1	
47	22169-54670	• WASHER	1	
48	22169-54690	• STOPPER	1	
49	11022-05200	• BOLT SPW	1	
50	11022-05200	• BOLT SPW	1	
51	01020-05250	• BOLT	1	
52	01020-04120	• BOLT	4	
53	22169-55110	GEAR	1	
54	22169-55130	COLLER	1	
55	22169-55200	OIL PUMP ASSY	1	
56	22169-55310	OIL PIPE	1	
57	22169-57360	OIL FILTER	1	
58	22154-85540	CLIP OIL	1	
59	22169-55430	FILTER	1	
60	11205-04160	SCREW PM	2	
61	22169-56110	PUMP COVER	1	
62	11205-04100	SCREW PM PW	4	
63	19401-00093	LABEL INST	1	



PRICE: (¥)

Ref. No.	Part No.	Part Name	Qty	Remarks
6- 1	22169-71100	ROTOR ASSY	1	
2	22150-71120	RATCHET	2	
3	22155-71130	SPRING RACHET	2	
4	22100-71430	WASHER	2	
5	22100-71441	BOLT	2	
6	22169-71460	NUT	1	
7	22169-71510	EXCITE COIL	1	
8	11022-05200	BOLT SPW	2	
9	22169-71700	IGNITION COIL	1	
10	11022-04160	BOLT SPW	2	
11	22169-72220	PLUG CAP	1	
12	20000-72230	SPRING SPARK PLUG	1	
13	15210-12305	BAND	2	
14	22155-72280	PIPE CORD B	1	
15	13000-13507	SPARK PLUG BPMR7A	1	

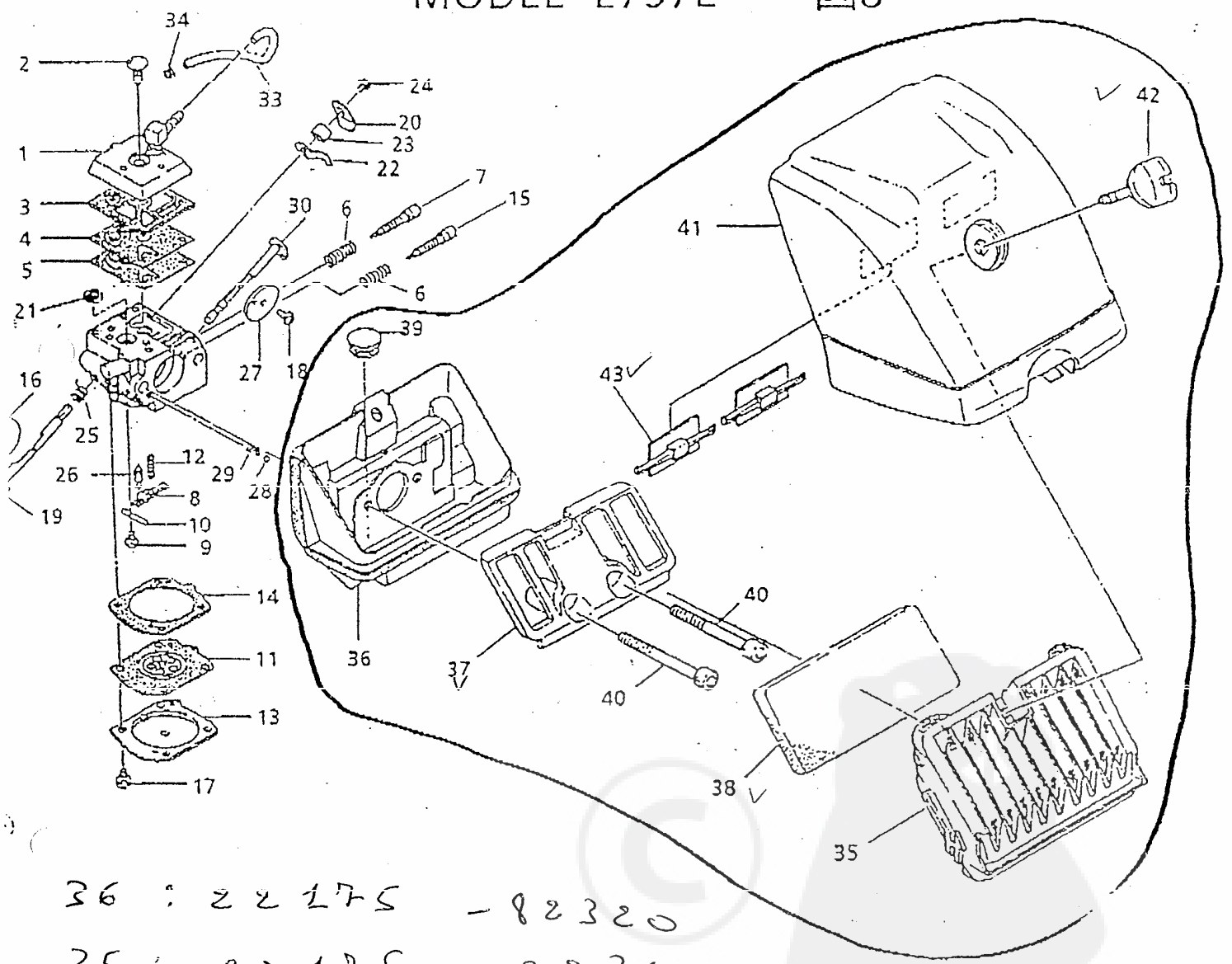


PRICE: (¥)

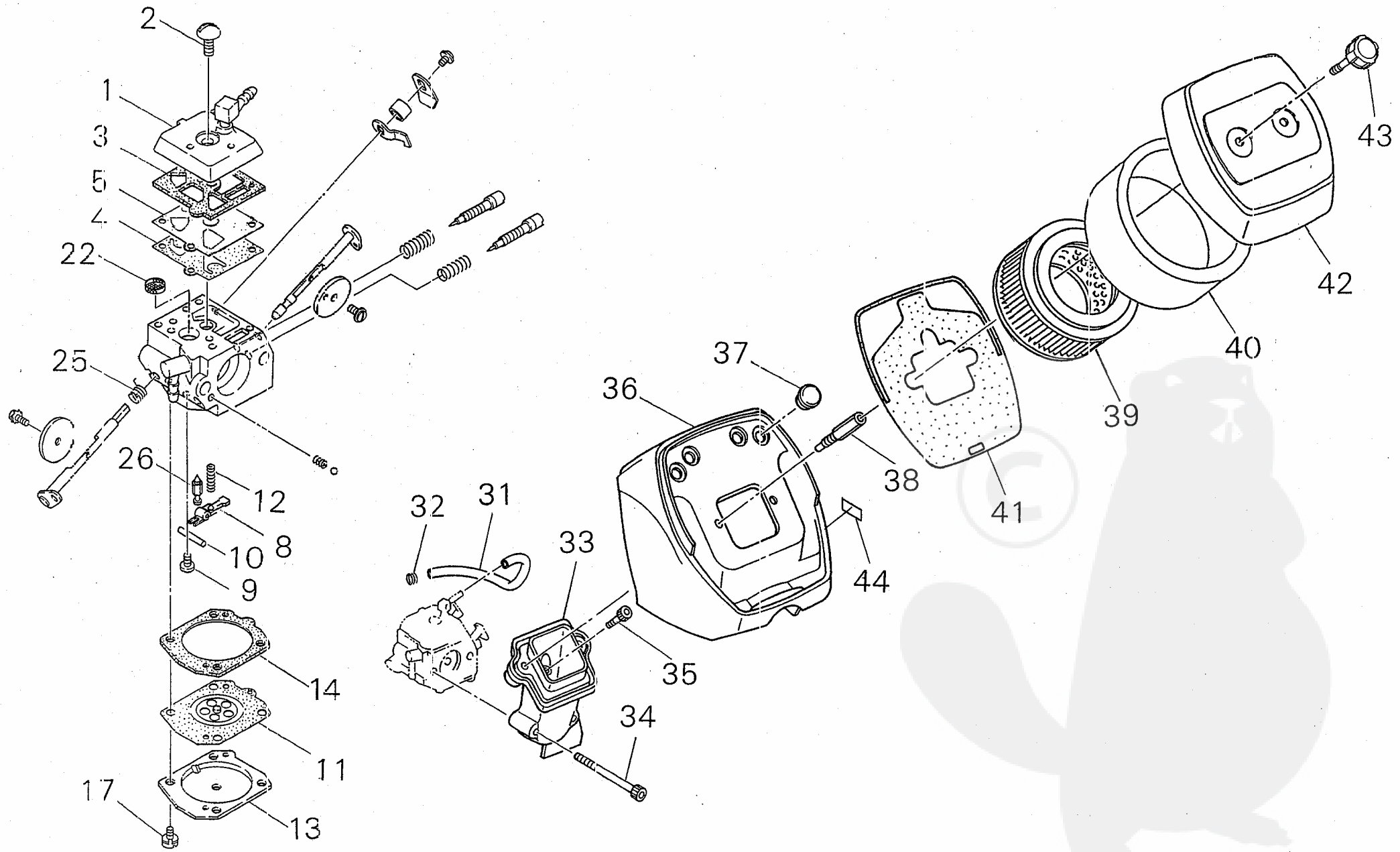
Ref. No.	Part No.	Part Name	Qty	Remarks
7-	22169-75101	RECOIL STARTER SUB ASSY	1	
1	22169-75211	• RECOIL CASE	1	
2	22169-75230	•• GUIDE	1	
3	22150-75310	• REEL	1	
4	22155-75410	• RECOIL SPRING ASSY	1	
5	22150-75450	• WASHER	1	
6	01020-05120	• BOLT	1	
7	22150-75510	• ROPE	1	
8	22150-75520	• KNOB RECOIL	1	
9	22150-75530	• STOPPER KNOB	1	
10	20010-75230	• TAPE	1	
11	22169-75610	AIR PLATE	1	
12	22169-31250	BOLT SPW	4	
13	22169-92180	NAME PLATE R	1	



MODEL E757E 图8

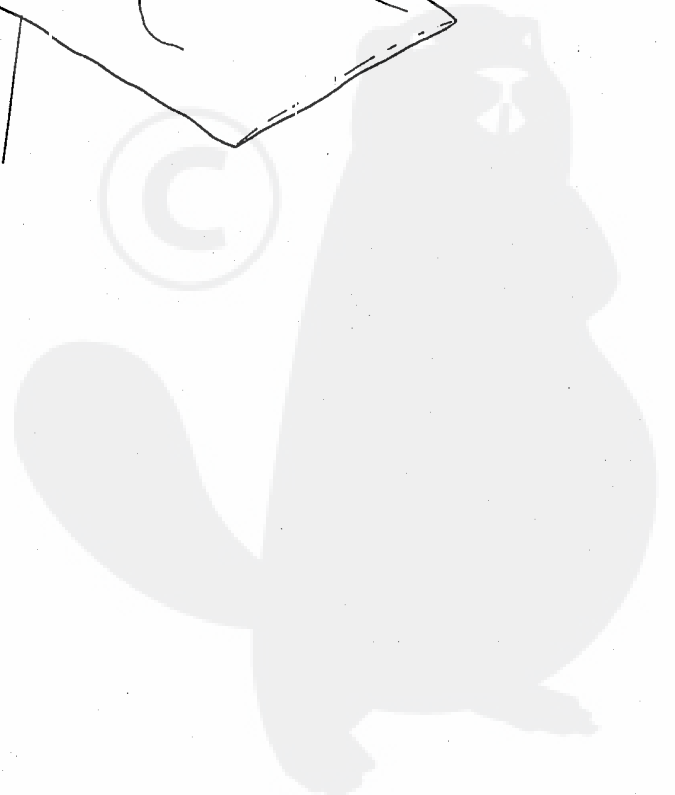
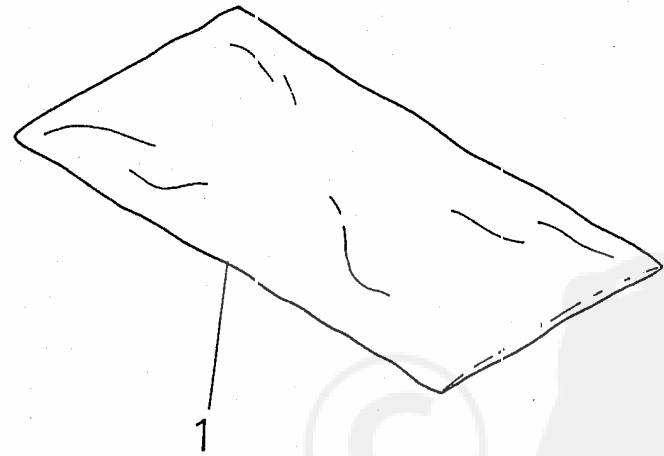
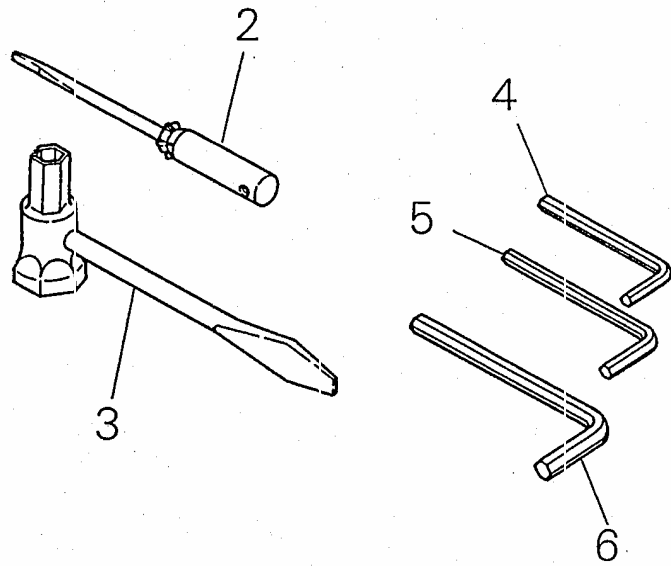


36	: 22 175	- 82320
35	: 22 175	- 82310
39	: 22 150	- 33630
41	: 22 170	- 42520
40	: 11 021	05500
38	: 22 175	82340
37	: 22 175	42330
42	: 22 175	82520
43	: 22 175	82530

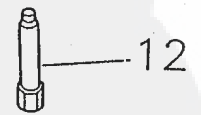
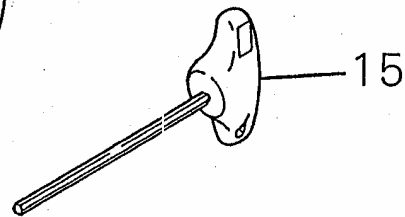
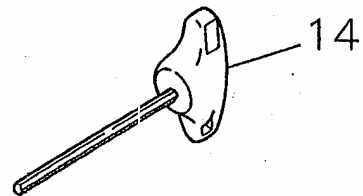
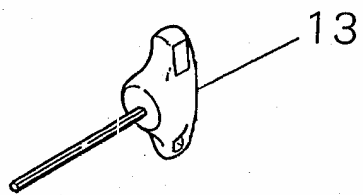
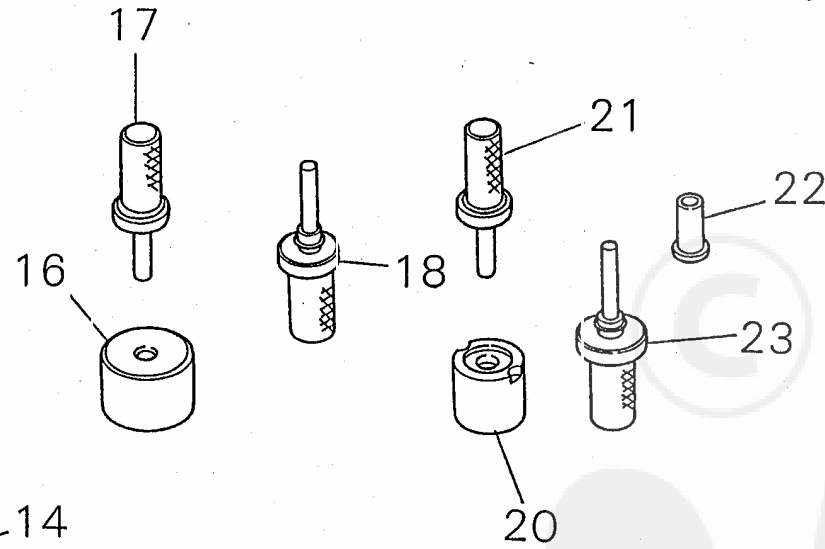
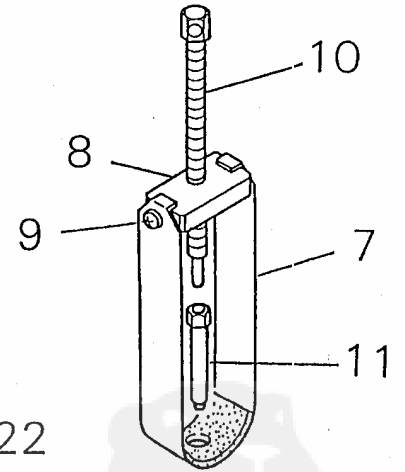
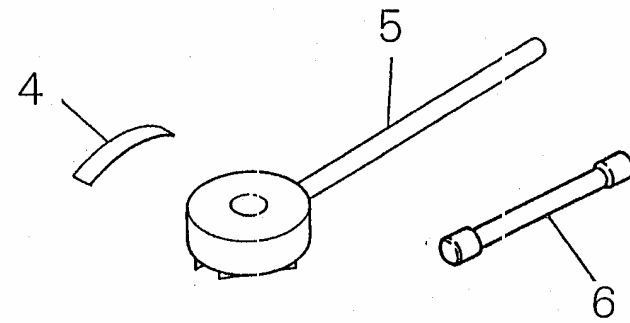
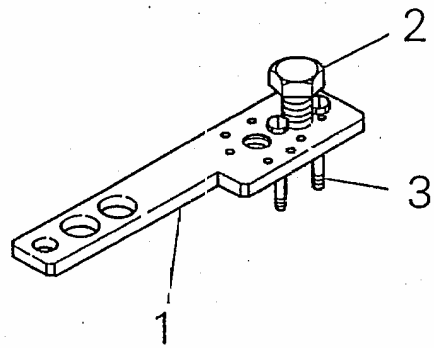


PRICE:(¥)

Ref. No.	Part No.	Part Name	Q'ty	emarks
8-	22169-81000	CARBURETOR ASSY	1	
1	22150-81120	• PUMP COVER ASSY	1	
2	22150-81130	• SCREW	1	
3	22150-81140	• GASKET PUMP	1	
4	22169-81150	• DIAPHRAGM PUMP	1	
5	22169-81180	• DIAPHRAGM PUMP	1	
8	22150-81230	• LEVER	1	
9	22100-81240	• SCREW	1	
10	22100-81250	• PIN	1	
11	22150-81260	• DIAPHRAGM ASSY	1	
12	22150-81270	• SPRING LEVER	1	
13	22150-81280	• COVER DAIPHRAGM	1	
14	22150-81290	• GASKET DIAPHRAGM	1	
17	22100-81351	• SCREW	4	
22	70030-81380	• SCREEN	1	
25	22150-81430	• RETURN SPRING	1	
26	20036-81440	• NEEDLE VALVE	1	
	22150-81930	GASKET KIT	1	
3	22150-81140	• GASKET PUMP	1	
14	22150-81290	• GASKET DIAPHRAGM	1	
	22169-81940	DIAPHRAGM KIT	1	
4	22169-81150	• DIAPHRAGM PUMP	1	
5	22169-81180	• DIAPHRAGM PUMP	1	
11	22150-81260	• DIAPHRAGM ASSY	1	
31	22155-82111	PULSE PIPE	1	
32	22150-82140	CLIP PULSE	1	
33	22169-82210	ELBOW	1	
34	11021-05650	BOLT	2	
35	11022-05200	BOLT SPW	1	
36	22169-82251	CLEANER BASE	1	
37	22150-33630	PLUG	4	
38	22169-82271	BOLT	2	
39	22169-82310	FILTER	1	
40	72330-82320	PRE FILTER	1	
41	72332-82330	SILENCER	1	
42	22169-82410	CLEANER COVER	1	
43	22169-82420	KNOB CLEANER COVER	2	
44	19401-00094	LABEL INST	1	







PRICE:(¥)

Ref. No.	Part No.	Part Name	Q'ty	emarks
10-	22150-96101	PULLER ASSY	1	
1	20000-96114	• LEVER	1	
2	22100-96121	• CENTER BOLT	1	
3	22102-96130	• BOLT	2	
4	22155-96220	AIR GAP GAUGE	1	
5	22169-96580	PULLER	1	
6	22155-96240	PISTON STOPPER	1	
	22169-96300	PULLER ASSY	1	
7	22155-96310	• PULLER	1	
8	22155-96320	• BOSS	1	
9	11204-06120	• SCREW PM	2	
10	22155-96340	• BOLT	1	
11	22169-96350	• PIN ADAPTER	1	
12	22169-96360	• GUIDE PIN	1	
13	22155-96521	T WRENCH 4	1	
14	22155-96531	T WRENCH 5	1	
15	22155-96540	T WRENCH 6	1	
16	22169-96410	HOLDER M	1	
17	22169-96420	ROD OIL SEAL M	1	
18	22169-96430	ROD 6202	1	
20	22169-96440	HOLDER C	1	
21	22169-96450	ROD OIL SEAL C	1	
22	22169-96460	COLLAR OIL SEAL	1	
23	22169-96470	ROD 6203	1	