

# shindaiwa

PARTS PRICE LIST

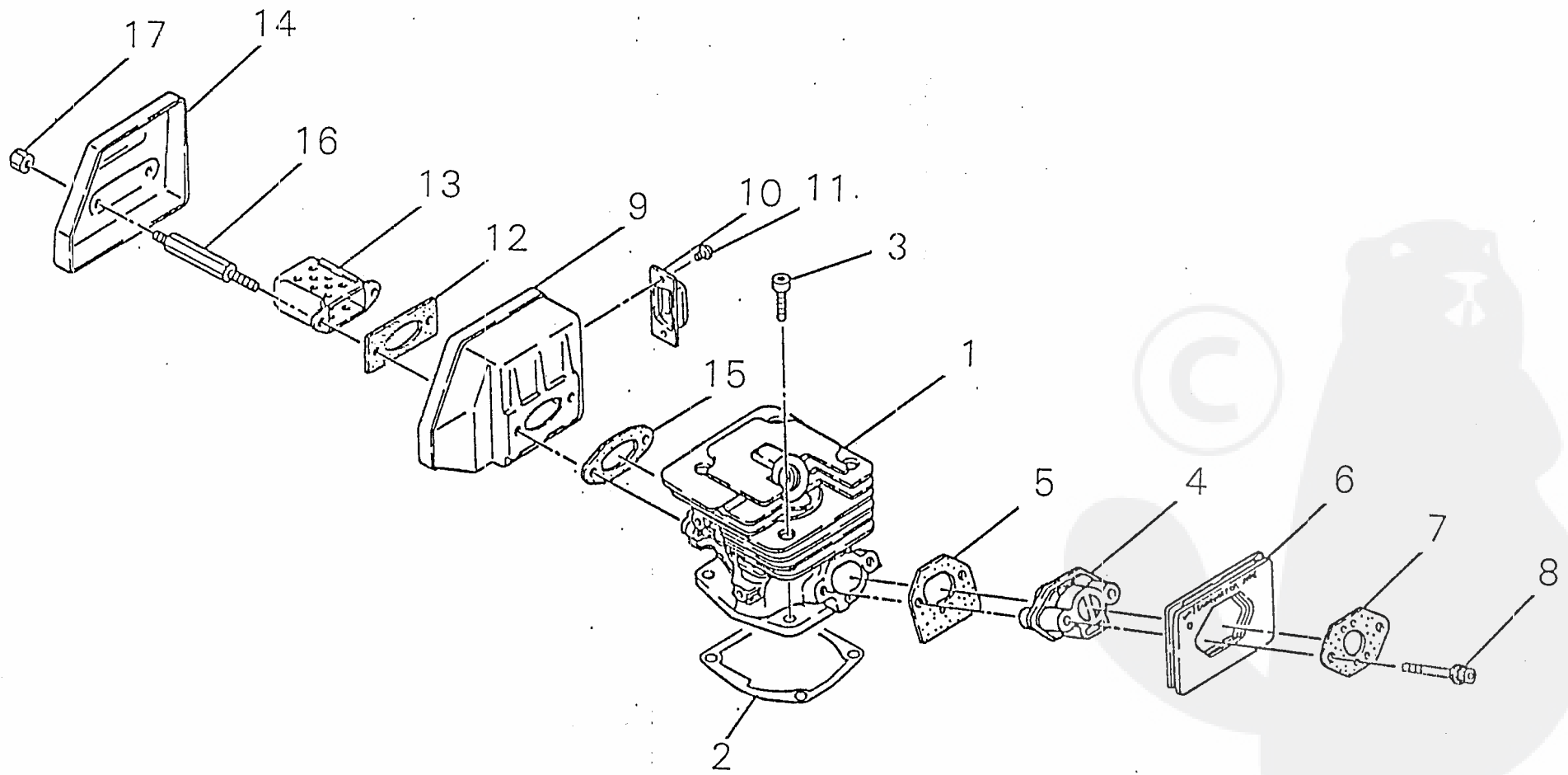
300



*SHIN-DAIWA KOGYO CO., LTD.*

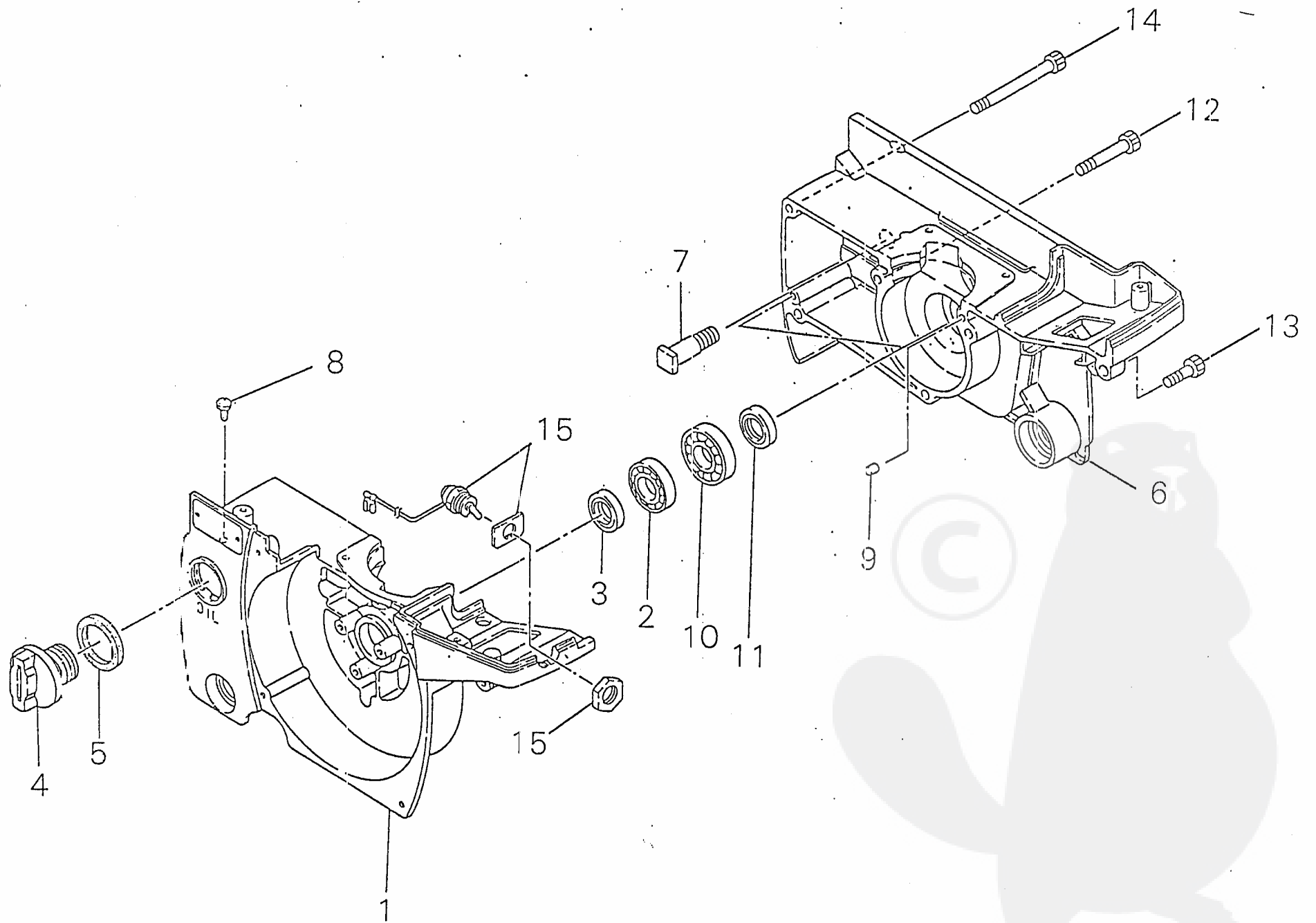
APR. - 3. 1991





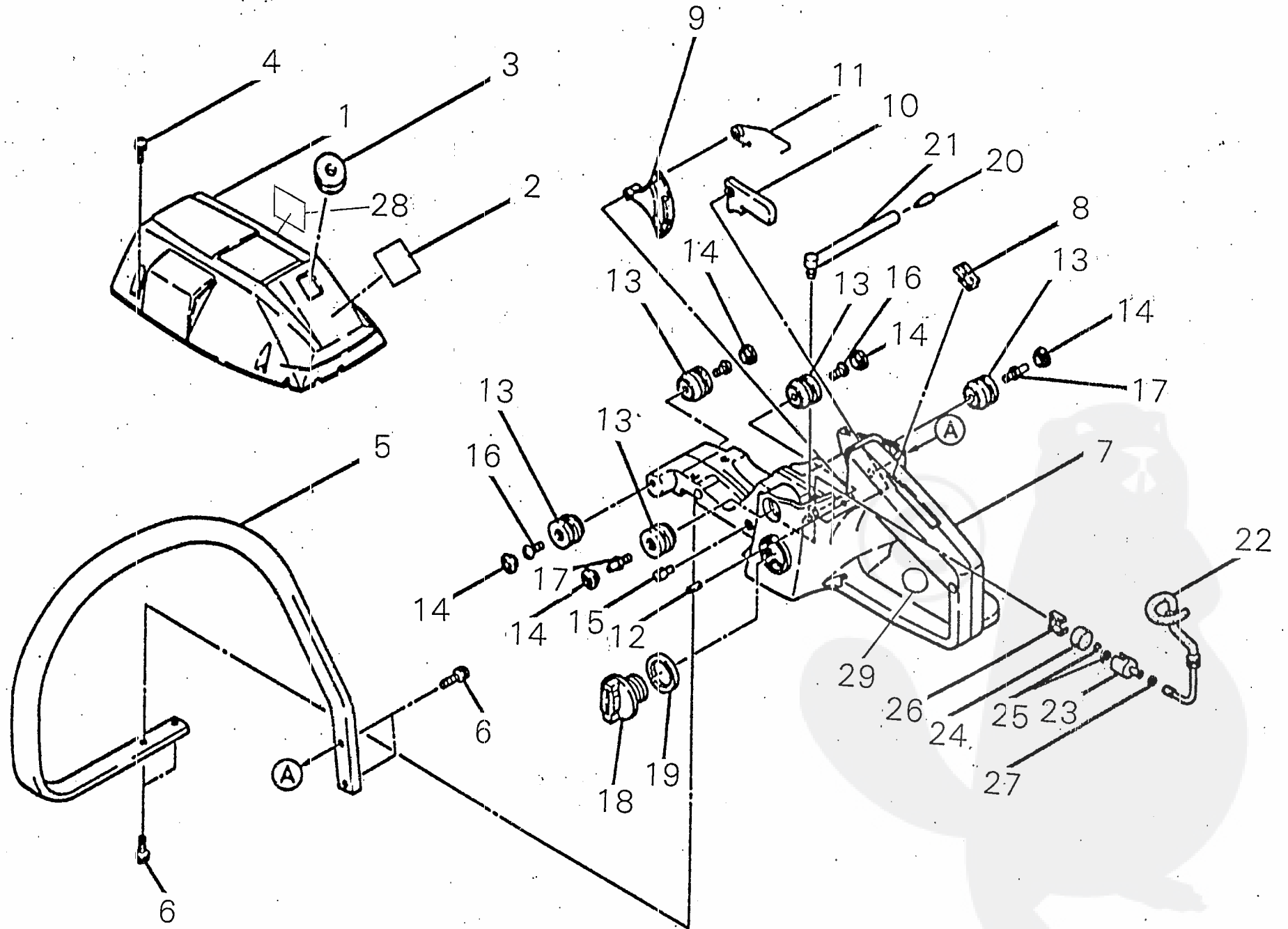
PRICE:(ST)

Ref. No	Part No.	Part Name	Q' ty	Unit Price	Remarks
1-	1	22154-12110	CYLINDER	1	
	2	22154-12120	GASKET CYLINDER	1	
	3	22154-12130	BOLT	4	
	4	22154-12150	INSULATOR	1	
	5	22154-12160	GASKET INSULATOR	1	
	6	22154-12170	SEAL	1	
	7	22154-12190	GASKET CARBURETOR	1	
	8	11022-04400	BOLT SW	2	
		22154-15000	MUFFLER ASSY	1	
		22154-15100	• BASE MUFFLER SUB ASSY	1	
	9	22154-15110	•• BASE MUFFLER	1	
	10	22154-15130	•• TALE PLATE	1	
	11	11203-04060	•• SCREW PM	2	
	12	22154-15140	• PLATE MUFFLER	1	
	13	22154-15150	• PIPE MUFFLER	1	
	14	22154-15180	• COVER MUFFLER	1	
	15	22154-15210	• GASKET MUFFLER	1	
	16	22154-15410	• BOLT	2	
	17	20011-12260	• NUT	2	



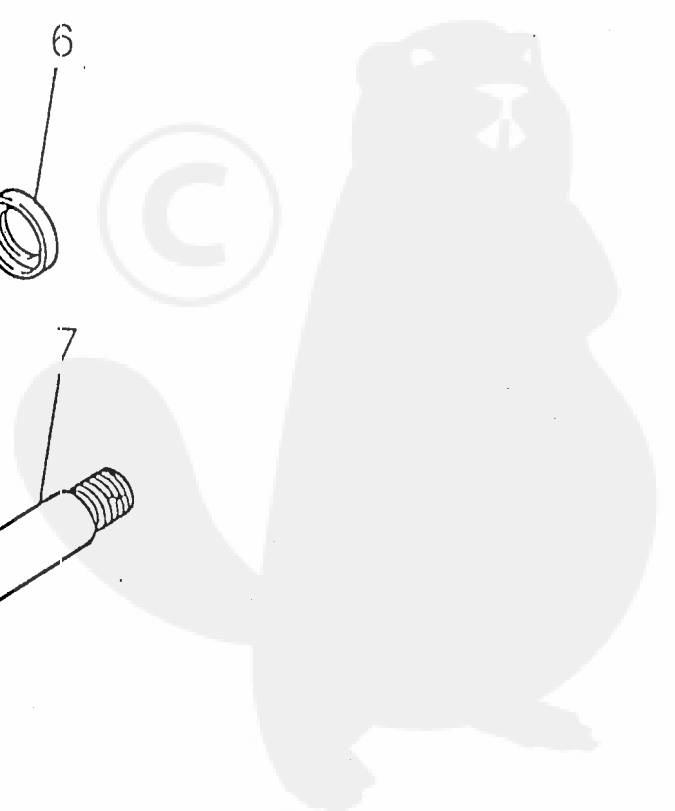
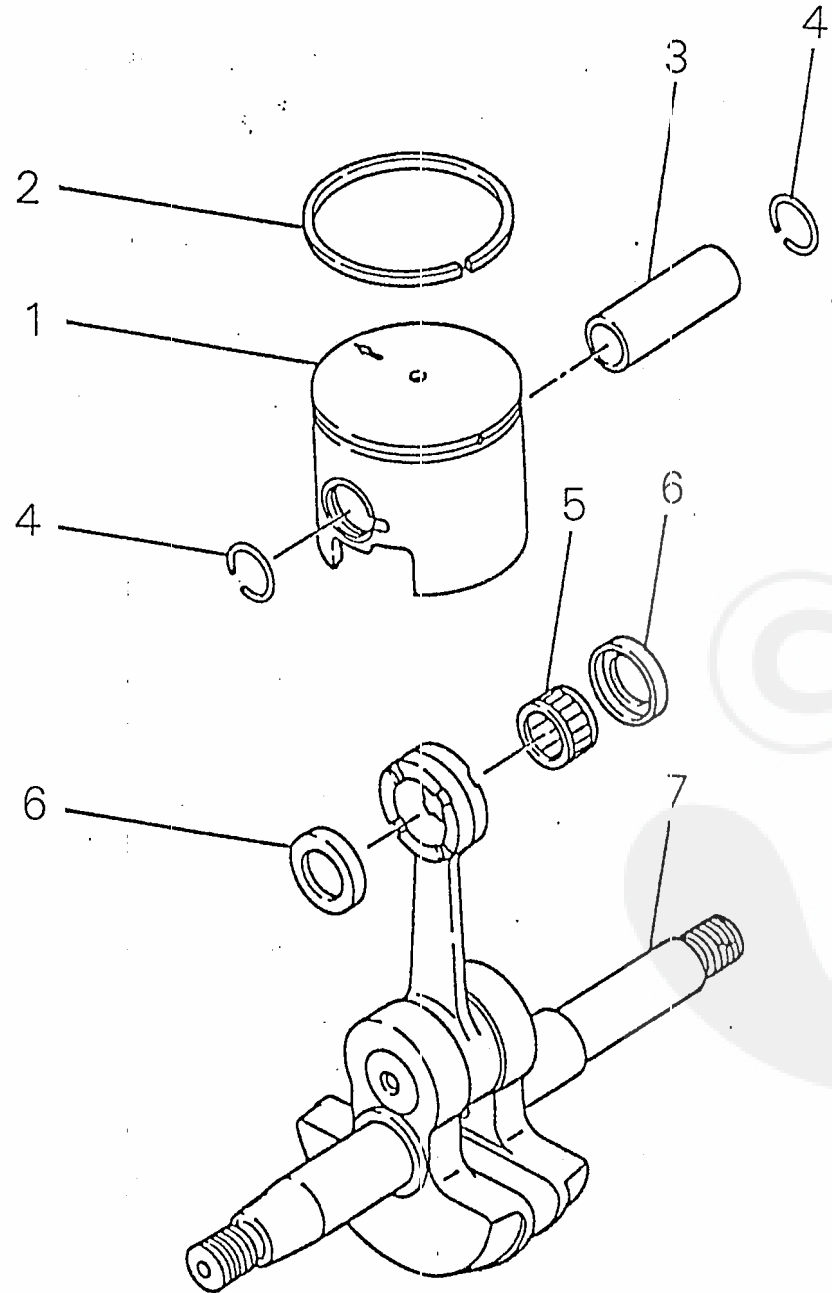
PRICE:(ST)

Ref. No	Part No.	Part Name	Q'ty	Remarks
2-	72289-21002	CRANK CASE ASSY #	1	
	22154-21101	• CRANK CASE M SUB ASSY #	1	
	22154-21201	•• CRANK CASE M COMP	1	
1	22154-21211	∴ CRANK CASE M	1	
2	02030-06001	∴ BEARING	1	
3	22150-21250	∴ OIL SEAL	1	
8	22115-57120	∴ VALVE OIL TANK	1	
	22154-21300	•• OIL CAP ASSY	1	
4	72171-85210	∴ FUEL CAP	1	
5	22100-85281	∴ GASKET FUEL CAP	1	
	22154-21501	• CRANK CASE C COMP	1	
6	22154-21511	•• CRANK CASE C	1	
7	22154-21520	•• BOLT BAR	1	
9	70030-21140	•• DAWEL PIN	2	
10	02030-06201	•• BEARING	1	
11	70030-21220	•• OIL SEAL	1	
12	01020-05300	• BOLT	3	
13	11021-05180	• BOLT PW	1	
14	01020-05450	• BOLT	2	
15	22154-22101	• SWITCH ASSY	1	



PRICE:(ST)

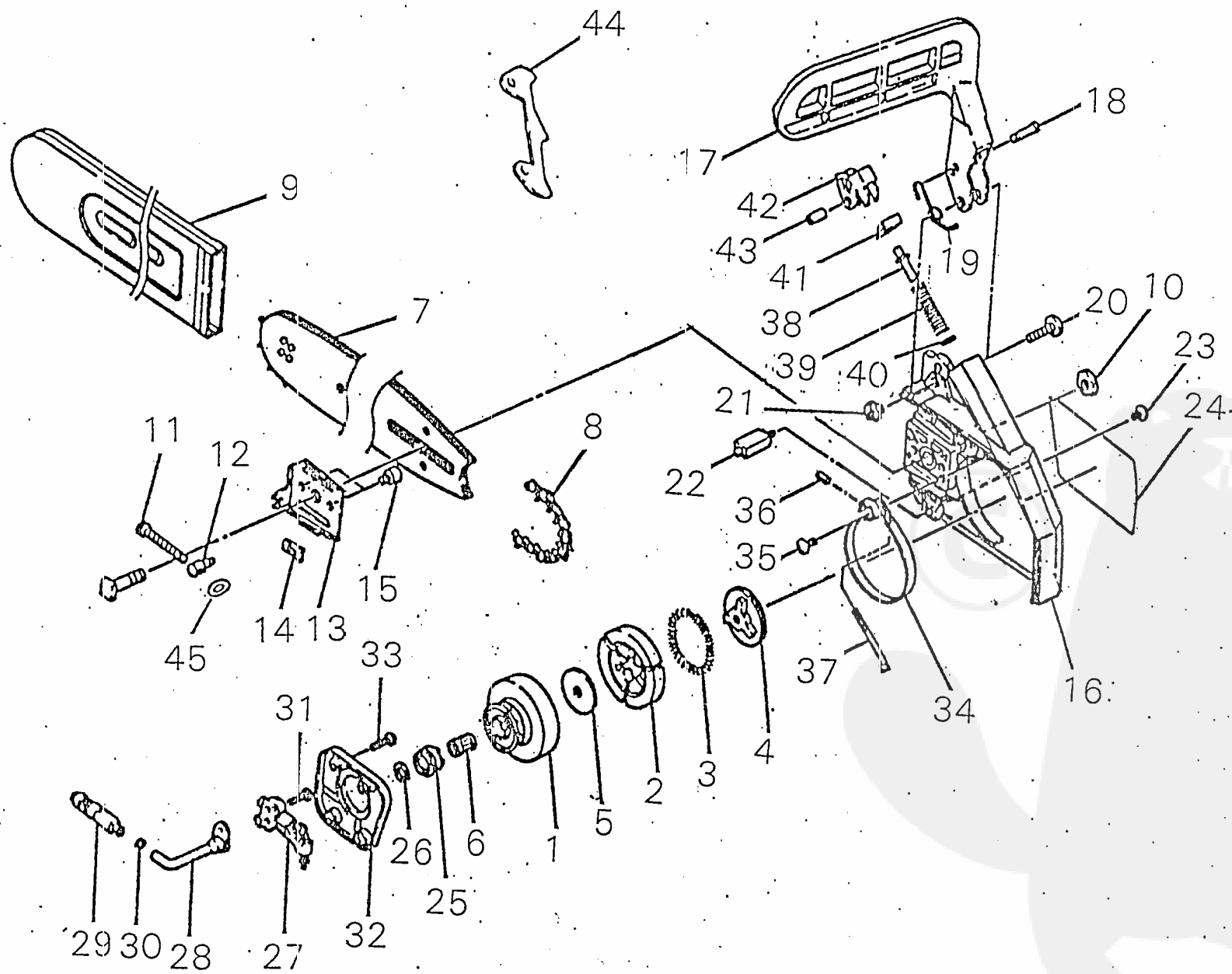
Ref. No	Part No.	Part Name	Q'ty	Unit Price	Remarks
3- 1	22154-31111	CYLINDER COVER	1		
28	72297-31280	CAUTION PLATE A	1		
2	72297-31290	NAME PLATE	1		
3	22154-31160	GROMMET IDLE	1		
4	11206-04160	SCREW PM SPW	3		
5	72296-32110	FRONT HANDLE	1		
6	11206-05180	SCREW PM	4		
	22154-33101	REAR HANDLE SUB ASSY	1		
7	22154-33201	• REAR HANDLE	1		
8	22154-33310	• SLIDE STOPPER	1		
9	22154-33320	• THROTTLE LEVER	1		
10	22154-33330	• LOCK LEVER	1		
11	22154-33340	• SPRING LEVER	1		
12	12420-40255	• SPRING PIN	2		
29	72139-33210	• CAUTION PLATE B	1		
13	22154-33730	CUSHION 22	5		
14	22154-33740	PLUG 22	5		
15	22154-33750	SUPPORTER	1		
16	11204-05120	SCREW PM	3		
17	22154-33761	STOP BOLT 22	2		
	22154-33800	FUEL CAP ASSY	1		
18	22154-33810	• CAP	1		
19	22100-85281	• GASKET FUEL CAP	1		
	22154-33900	BREATHER ASSY	1		
20	22155-33950	• FIFMNT	1		
21	22154-33940	• PIPE	1		
	22154-34101	FUEL PIPE ASSY	1		
22	22154-34110	• FUEL PIPE	1		
	70030-85401	• FUEL FILTER COMP	1		
23	70030-85411	•• WEIGHT FUEL	1		
24	70030-85420	•• FILTER A	1		
25	70030-85431	•• FILTER B	2		
26	70030-85440	•• CLIP FILTER	1		
27	20020-85540	•• CLIP	1		





PRICE:(ST)

Ref. No	Part No.	Part Name	Q' ty	Unit Price	Remarks
4- 1	22154-41110	PISTON	1		
2	22100-41210	PISTON RING	1		
3	20010-41310	PISTON PIN	1		
4	22100-41230	SNAP RING	2		
5	20010-41330	NEEDLE BEARING	1		
6	22104-41340	THRUST WASHER	2		
7	22154-42000	CRANK SHAFT ASSY	1		

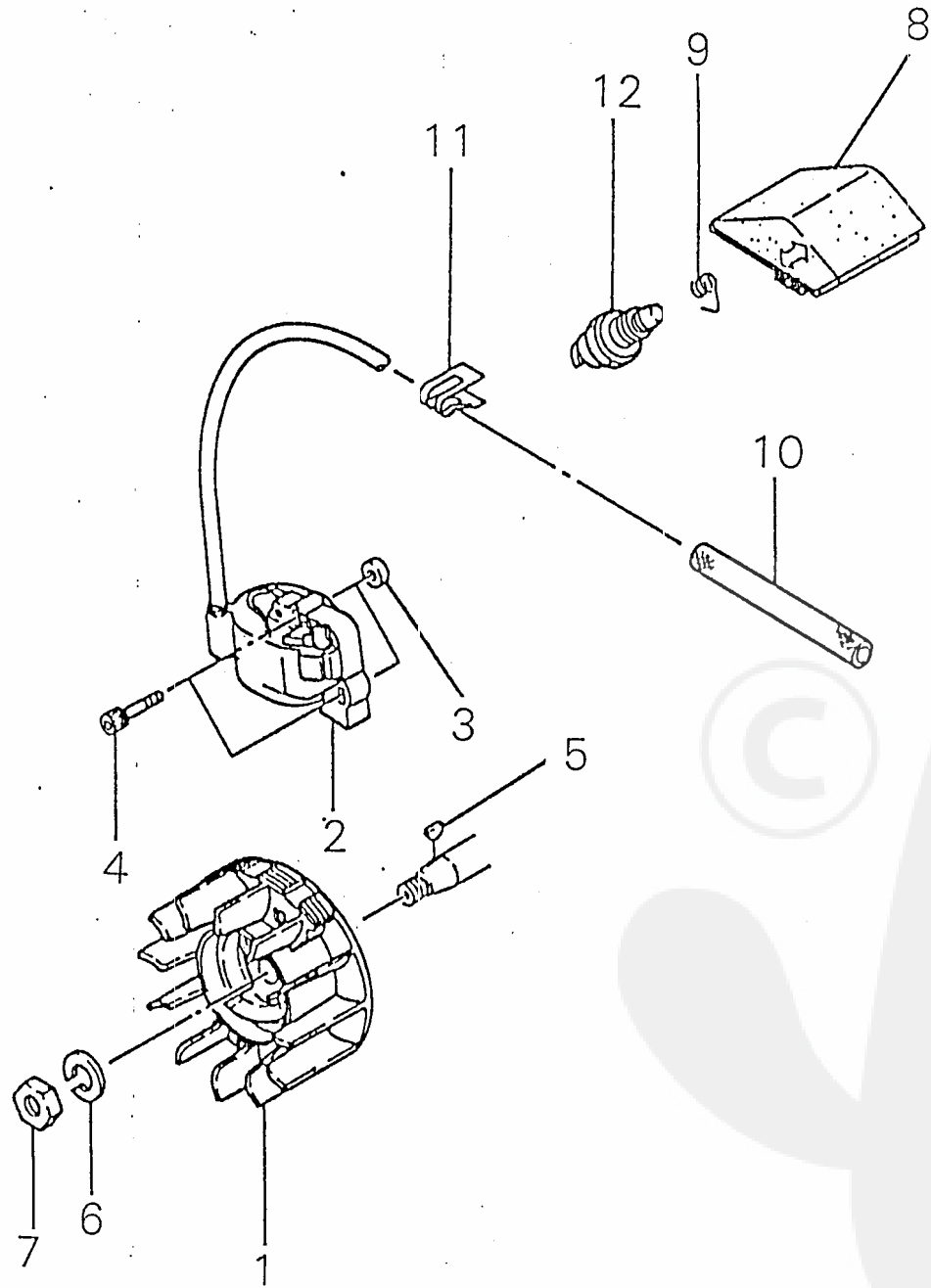


PRICE: (ST)

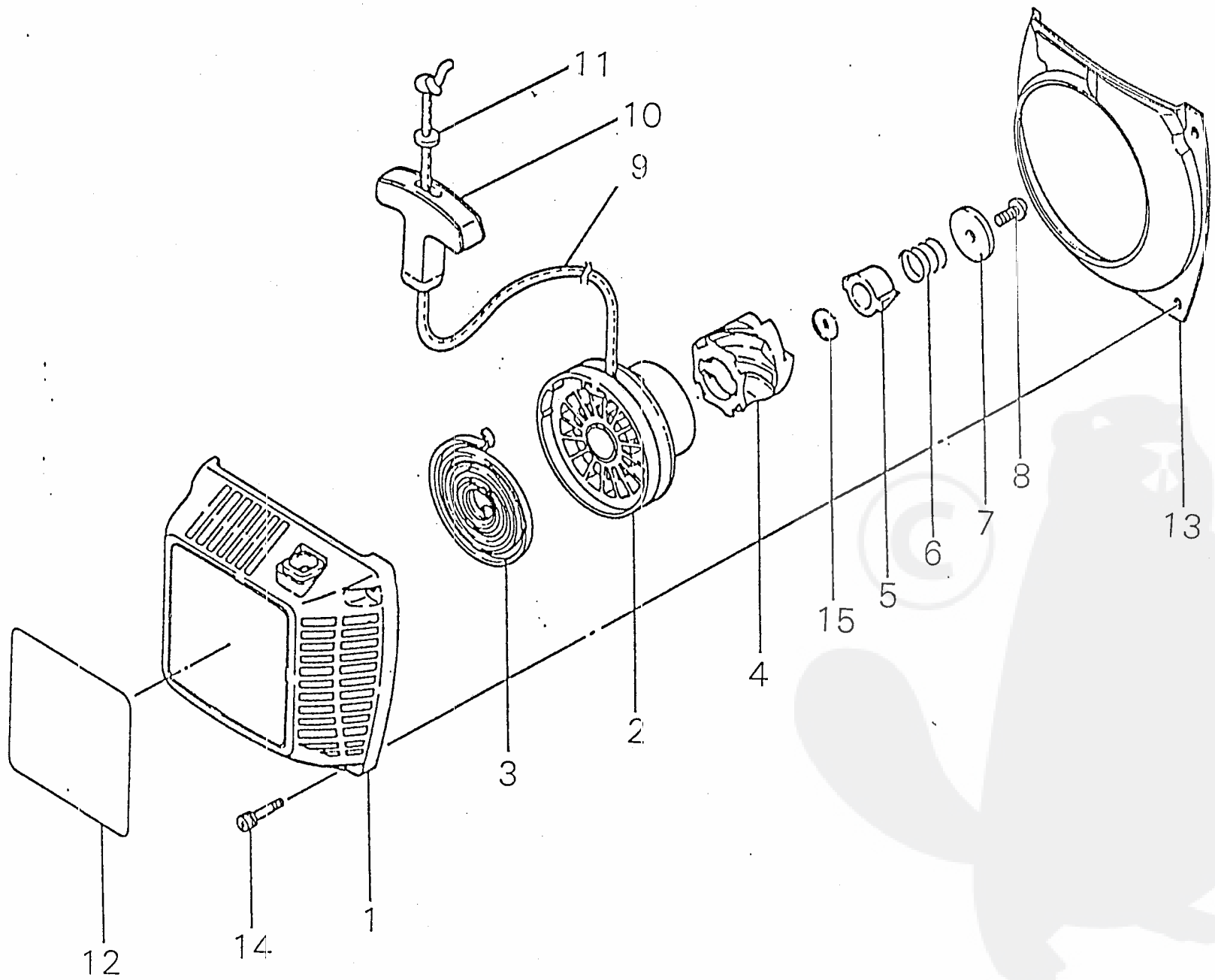
Ref. No	Part No.	Part Name	Q'ty	Unit Price	Remarks
5- 1	22163-51110	CLUTCH DRUM	1		
	22154-51200	CLUTCH ASSY	1		
2	22154-51220	• CLUTCH SHOE	3		
3	22102-51230	• CLUTCH SPRING	1		
4	22154-51240	• CLUTCH BOSS B	1		
5	22154-51250	CLUTCH BOSS A	1		
6	22102-51310	NEEDLE BEARING	1		
7	18132-01202	GUIDE BAR	1		
8	18041-00450	SAW CHAIN	1		
8	72124-52311	PROTECTOR	1		
10	22154-52410	NUT	1		
11	22154-52421	SLIDE SCREW	1		
12	22150-52440	SLIDE PIECE	1		
45	22154-52450	PUSH NUT	1		
13	22154-52460	MOUNT GUARD	1		
14	22154-52470	CHAIN PAT	1		
15	22154-52490	PIN BAR	2		
44	22154-52530	SPIKE	1		
	72288-54101	BRAKE ASSY	1		
16	22154-54111	• CLUTCH COVER	1		
34	22156-54210	• BRAKE BAND	1		
35	01275-05102	• SCREW TRUSS T	1		
36	02427-40125	• SPRING PIN	1		
37	22156-54310	• ADJUST ROD	1		
38	22156-54320	• ADJUST SCREW	1		
39	22156-54330	• BRAKE SPRING	1		
40	01613-06100	• WASHER	1		
41	22156-54410	• BLOCK	1		
17	72288-54510	• LEVER	1		
18	22156-54520	• STOPPER PIN	1		
19	22154-54540	• RELIEF SPRING	1		
42	22156-54560	• LEVER COMP	1		
43	22156-54570	• PIN LEVER	1		
20	22154-54580	• BOLT LEVER	1		
21	22154-54590	• NUT LEVER	1		
22	22154-54610	• CHAIN CATCHER	1		
23	01275-03082	• SCREW TRUSS T	1		
24	72288-54810	• NAME PLATE C	1		

PRICE:(ST)

Ref. No.	Part No.	Part Name	Q'ty	Unit Price	Remarks
5- 25	22154-55110	GEAR	1		
26	22154-55120	THRUST PLATE	1		
27	22154-55200	OIL PUMP ASSY	1		
	22154-55301	OIL PIPE ASSY	1		
28	22154-55310	• OIL PIPE	1		
29	22154-55330	• OIL FILTER	1		
30	22154-85540	• CLIP OIL	1		
31	11205-04120	SCREW PM	2		
32	22154-56110	PUMP COVER	1		
33	11205-04120	SCREW PM	4		



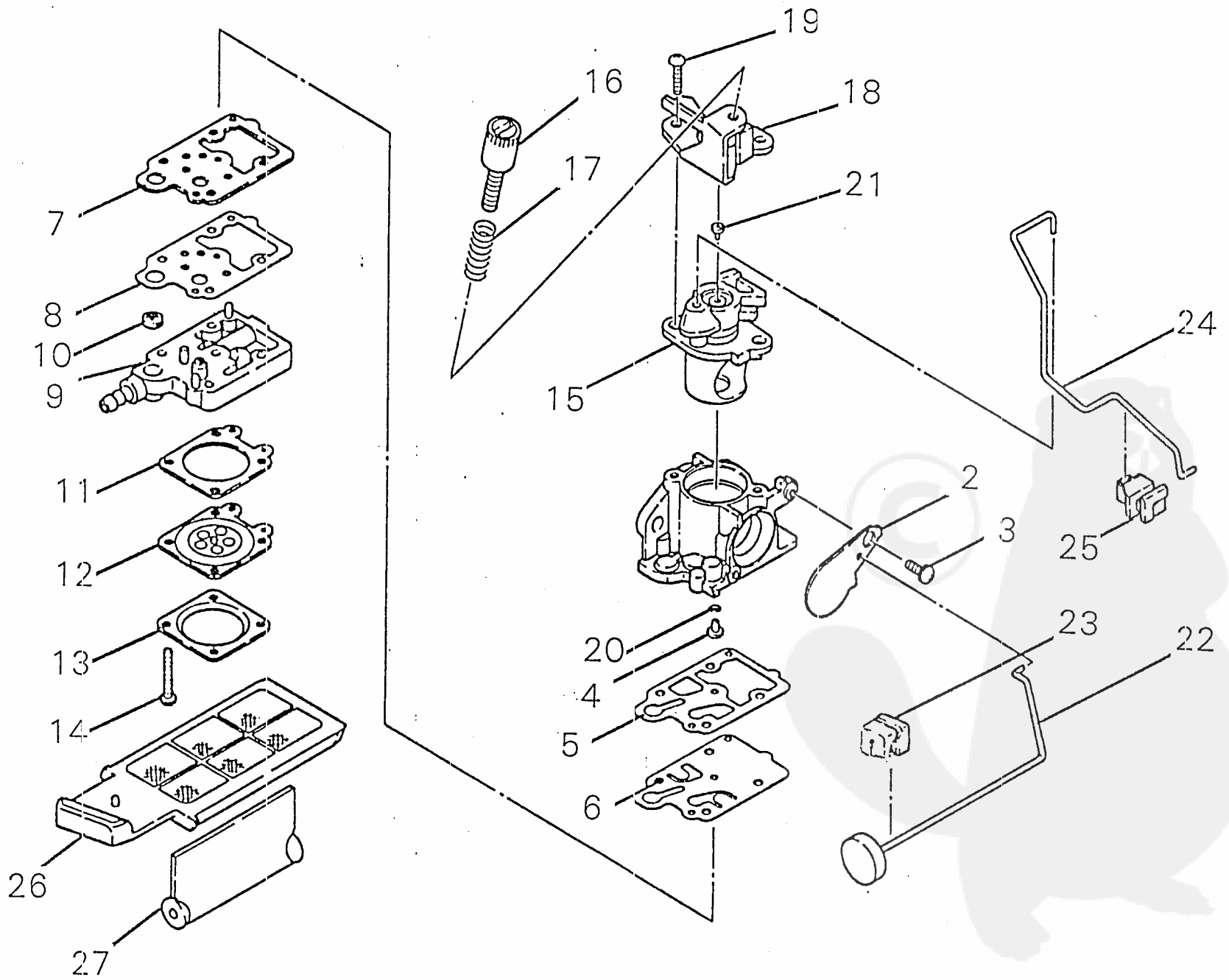




PRICE:(ST)

Ref. No.	Part No.	Part Name	Q'ty	Unit Price	Remarks
7-	72288-75000	RECOIL STARTER ASSY #	1		
	22154-75100	· RECOIL STARTER SUB ASSY	1		
1	22154-75110	·· RECOIL CASE	1		
2	22154-75210	·· REEL	1		
3	22154-75310	·· RECOIL SPRING	1		
4	22154-75341	·· RATCHET	1		
2	22154-75352	·· GUIDE	1		
6	22154-75360	·· FRICT SPRING	1		
15	22154-75370	·· THRUST WASHER	1		
7	22154-75380	·· WASHER	1		
8	20035-75170	·· SCREW	1		
9	22154-75410	·· ROPE	1		
10	22154-75420	·· KNOB RECOIL	1		
11	22154-75430	·· STOPPER KNOB	1		
12	72288-75440	· NAME PLATE R	1		
13	22154-75610	AIR PLATE	1		
14	11206-04200	SCREW PM SPW	4		





PRICE:(ST)

Ref. No	Part No.	Part Name	Q'ty	Unit Price	Remarks
8-	22137-81000	CARBURETOR ASSY	1		
2	22154-81120	• CHOKE VALVE	1		
3	22154-81130	• SCREW	1		
4	22137-81140	• JET	1		
5	22154-81150	• GASKET PUMP	1		
6	22154-81160	• DIAPHRAGM PUMP	1		
7	22154-81170	• PLATE PUMP	1		
8	22154-81180	• GASKET PLATE	1		
9	22154-81190	• PUMP BODY ASSY	1		
10	70030-81380	• SCREEN	1		
11	20036-81510	• GASKET DIAPHRAGM	1		
12	22100-81260	• DIAPHRAGM ASSY	1		
13	22100-81280	• COVER DIAPHRAGM	1		
14	70097-81140	• SCREW	4		
15	22137-81230	• THROTTLE VALVE	1		
16	22154-81410	• IDEL SCREW	1		
17	22154-81420	• SPRING IDEL	1		
18	22154-81430	• BRACKET	1		
19	22154-81440	• SCREW	2		
20	70097-81220	• O RING	1		
21	22154-81270	• PLUG	1		
22	22154-82120	CHOKE ROD	1		
23	22137-82130	GROMMET CHOKE	1		
24	22154-82140	THROTTLE ROD	1		
25	22154-82150	GROMMET ROD	1		
26	22154-82310	AIR CLEANER	1		
27	22154-82320	SHUTTER	1		
	22154-81910	GASKET KIT	1		
5	22154-81150	• GASKET PUMP	1		
8	22154-81180	• GASKET PLATE	1		
11	20036-81510	• GASKET DIAPHRAGM	1		
	22154-81920	DIAPHRAGM KIT	1		
6	22154-81160	• DIAPHRAGM PUMP	1		
12	22100-81260	• DIAPHRAGM ASSY	1		

