

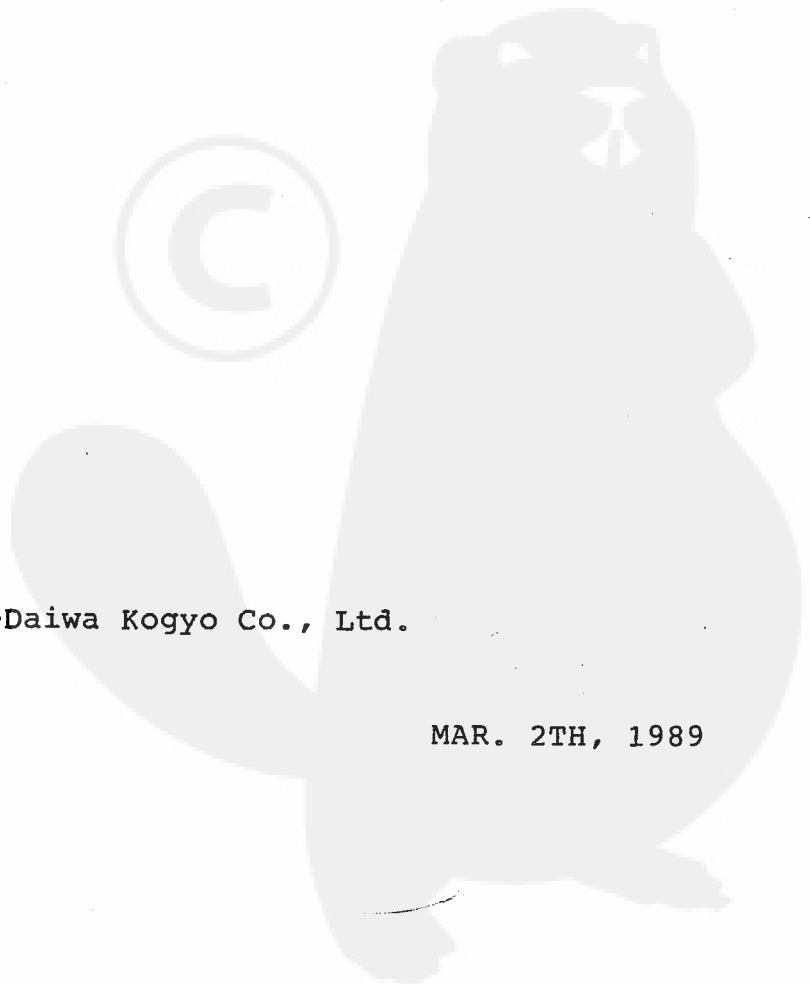
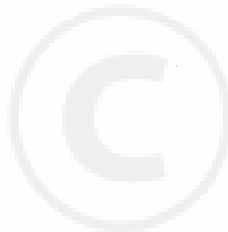
PARTS PRICE LIST

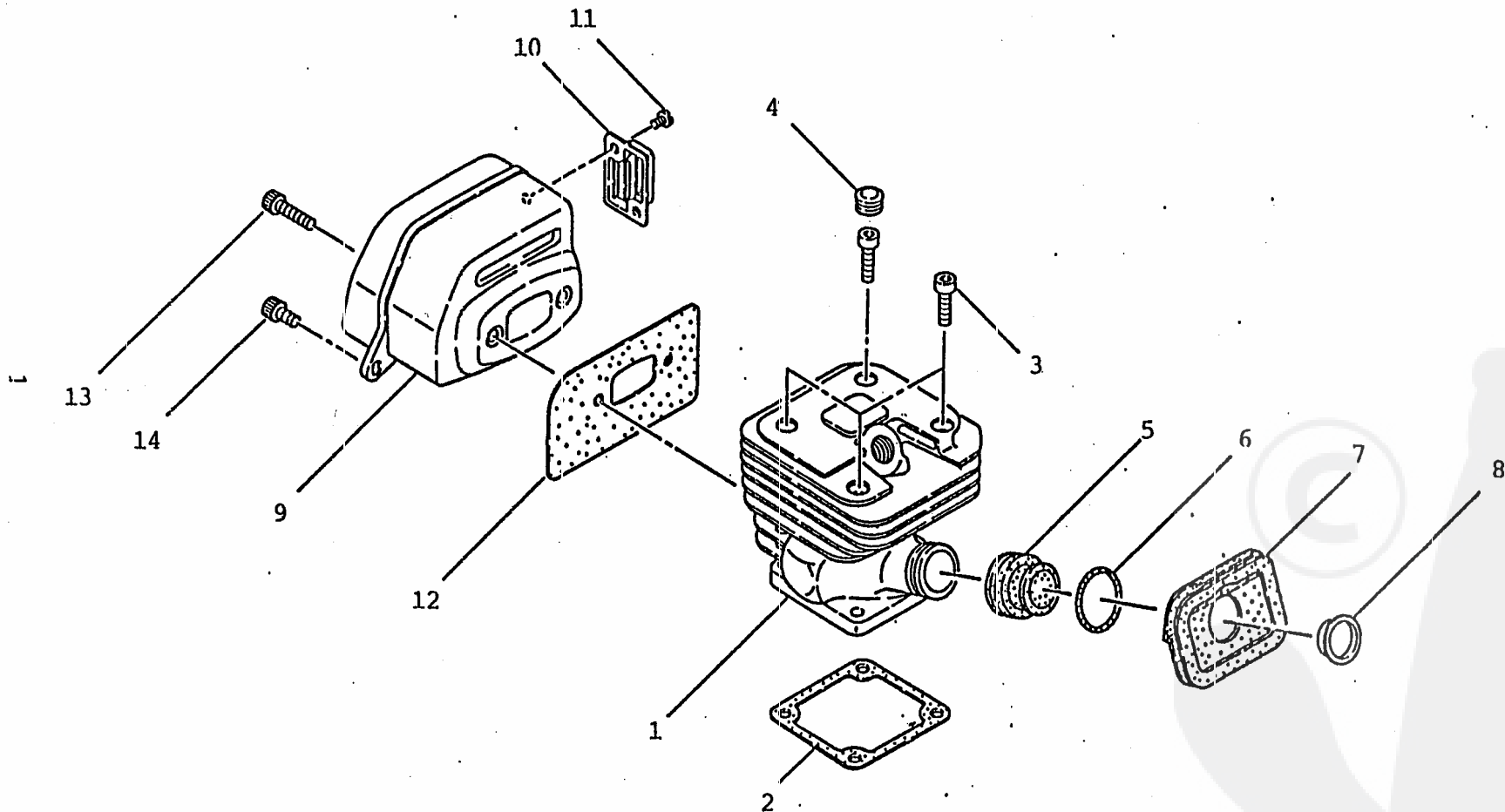
S H I N D A I W A

Model: 488

Shin-Daiwa Kogyo Co., Ltd.

MAR. 2TH, 1989



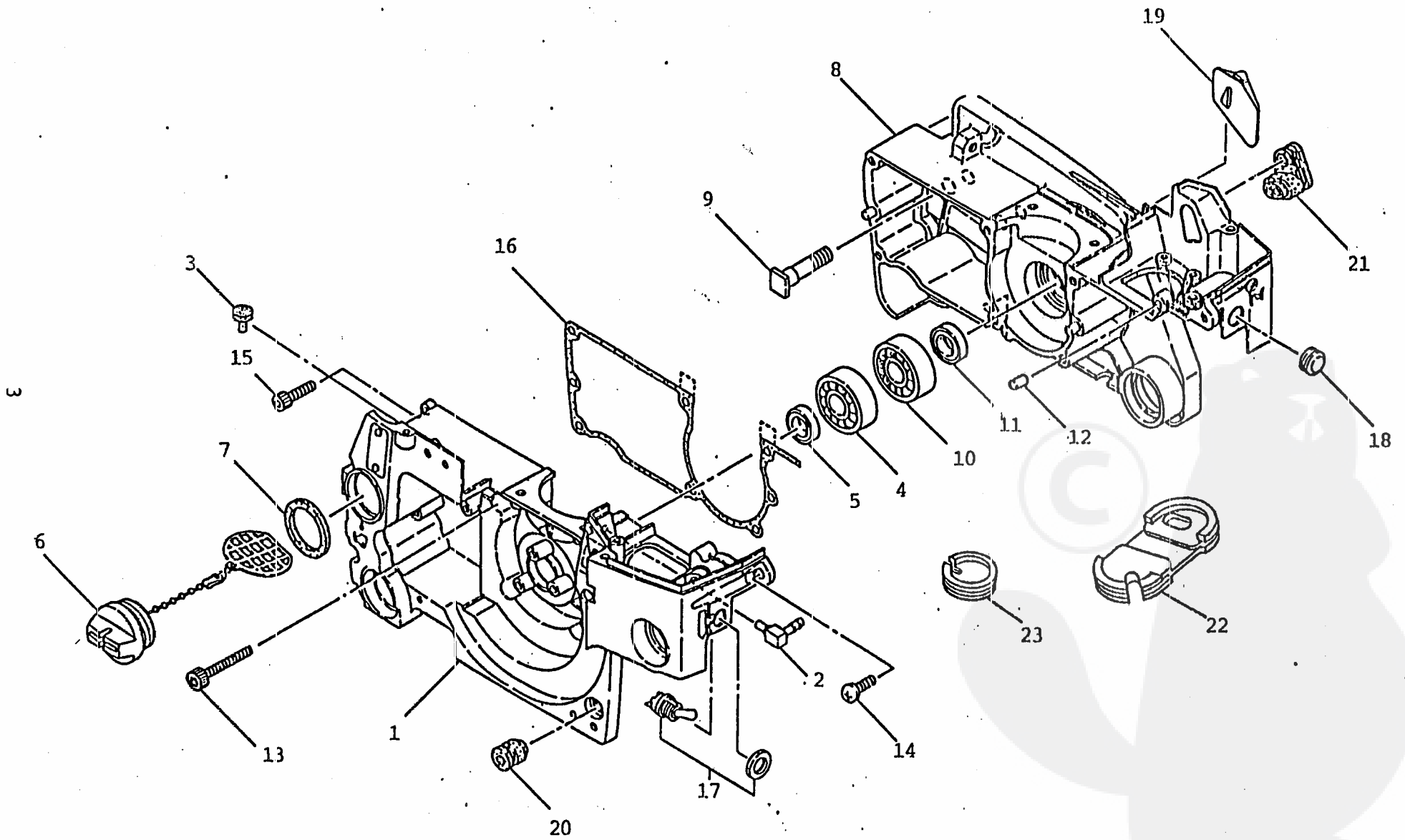


1. CYLINDER. MUFFLER

<<488VK.000010>>

1. CYLINDER. MUFFLER

Ref No	Part Name	Part No	Q'ty
1- 1	CYLINDER	22157-12110	1
1- 2	GASKET, CYLINDER	22160-12120	1
1- 3	BOLT	22157-12130	4
1- 4	PLUG SWITCH	22160-22220	1
1- 5	BOOT	22160-12150	1
1- 6	SPRING	22160-12160	1
1- 7	SEAL	22160-12170	1
1- 8	SLEEVE	22115-14140	1
	MUFFLER ASSY	22157-15000	1
1- 9 *	MUFFLER SUB ASSY	22160-15100	1
1-10 **	TAIL PLATE	22160-15210	1
1-11 **	SCREW-PM-SW	11204-04080	2
1-12 *	GASKET, MUFFLER	22160-15310	1
1-13 *	BOLT	22157-12130	2
1-14 *	BOLT	22157-15330	2



2. CRANKCASE

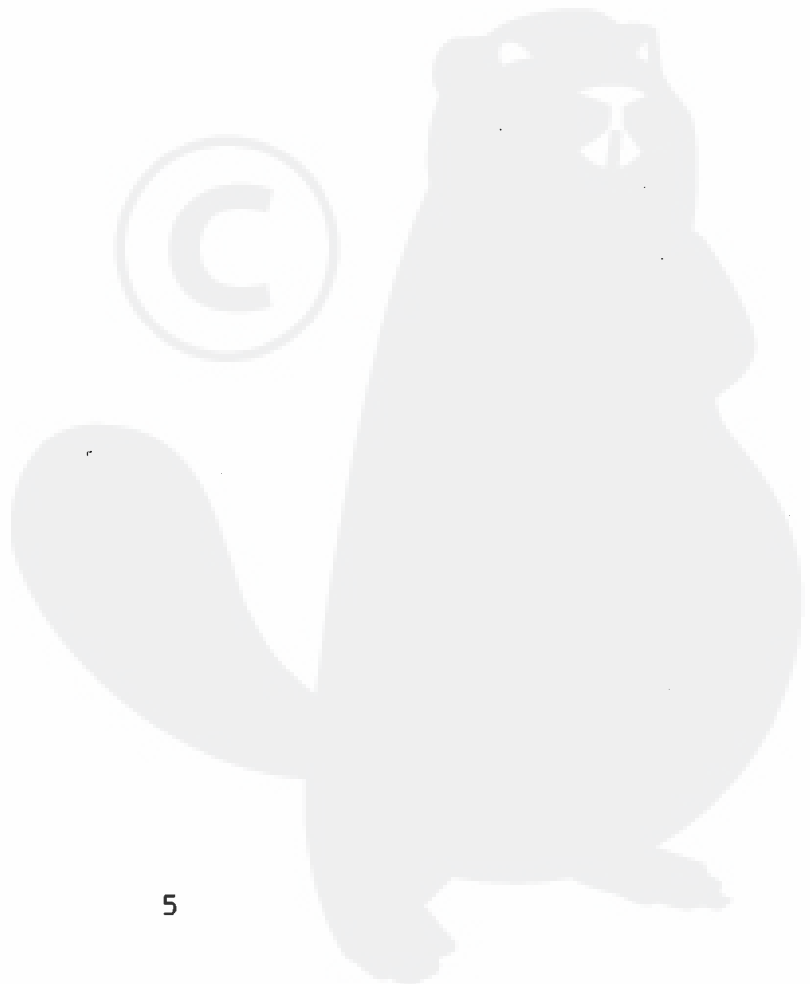
<<488VK.000020>>

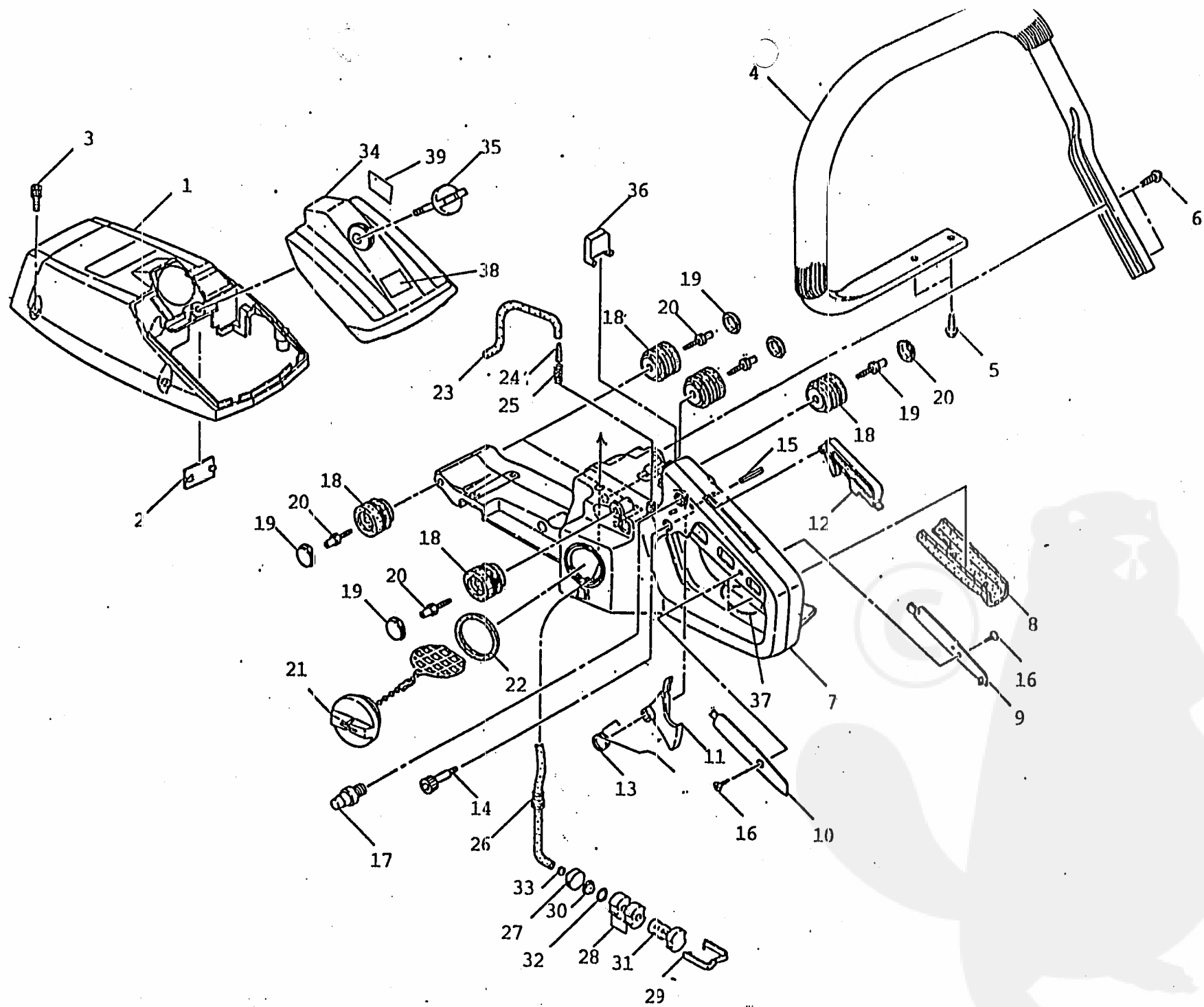
2. CRANKCASE

Ref No		Part Name	Part No	Q'ty
		CRANKCASE ASSY	72313-21000	1
	*	CRANKCASE, M SUB ASSY	22160-21100	1
	**	CRANKCASE, M COMP.	22160-21200	1
2- 1	***	CRANKCASE, M	22160-21210	1
2- 2	***	PULSE JOINT	22150-21220	1
2- 3	***	VALVE, OIL	22115-57120	1
2- 4	***	BEARING	02030-06201	1
2- 5	***	OIL SEAL	22150-21250	1
2- 6	**	CAP ASSY	22160-21300	1
2- 7	***	GASKET	22100-85281	1
	*	CRANKCASE, C SUB ASSY	72312-21400	1
	**	CRANKCASE, C COMP.	72312-21500	1
2- 8	***	CRANKCASE, C	22160-21510	1
2- 9	***	BOLT BAR	72312-21520	2
2-10	***	BEARING	02030-06201	1
2-11	***	OIL SEAL	22150-21250	1
2-12	***	DAWEL PIN	20000-21140	3
2-13	*	BOLT	22157-21750	4
2-14	*	SCREW-PM	22157-21760	1
2-15	*	BOLT	22157-12130	2
2-16	*	GASKET, CASE	22160-21720	1
2-17	*	SWITCH ASSY	22160-22100	1
2-18	*	PLUG, SWITCH	22160-22220	2
2-19	*	STOPPER, H	22160-22250	1
2-20	*	SUPPORTER	22160-33730	1

<<488VK.000021>>

Ref No		Part Name	Part No	Q'ty
2-21	*	GROMMET, CARB	22160-82150	1
2-22		GROMMET, A	72312-22260	1
2-23		GROMMET, B	72312-22270	1





3. HANDLE

<<488VK.000030>>

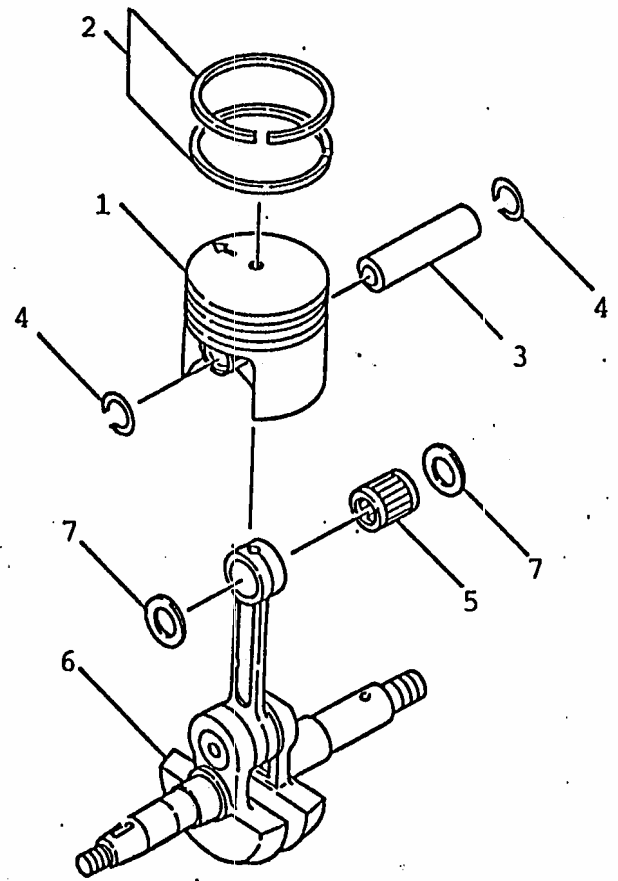
3. HANDLE

Ref No		Part Name	Part No	Q'ty
		COVER ASSY	72312-31000	1
3- 1	*	COVER	22160-31110	1
3- 2	*	PLUG	22160-31120	1
3- 3	*	BOLT-SPW	22160-31150	3
3- 4		FRONT HANDLE	22160-32110	1
3- 5		SCREW, PC	22160-32210	2
3- 6		SCREW, PC	22160-32220	2
		REAR HANDLE SUB ASSY	22160-33100	1
3- 7	*	REAR HANDLE	22157-33200	1
3- 8	*	GRIP	22160-33310	1
3- 9	*	PLATE, R	22160-33320	1
3-10	*	PLATE, L	22160-33330	1
3-11	*	THROTTLE LEVER	22160-33350	1
3-12	*	LOCK LEVER	22160-33360	1
3-13	*	SPRING LEVER	22160-33370	1
3-14	*	BOLT, LEVER	22160-33380	1
3-15	*	SPRING PIN	12420-40255	1
3-16	*	SCREW, HILO	11202-40120	2
3-17	*	STOPPER ASSY	22160-33400	1
3-36	*	STOPPER, R	22160-33590	1
3-18	*	CUSHION, 27	22160-33710	5
3-19	*	PLUG, 27	22160-33720	5
3-20	*	STOPPER, BOLT	22160-33770	5
3-21	*	FUEL CAP ASSY	22160-33800	1
3-22	**	GASKET	22160-33820	1

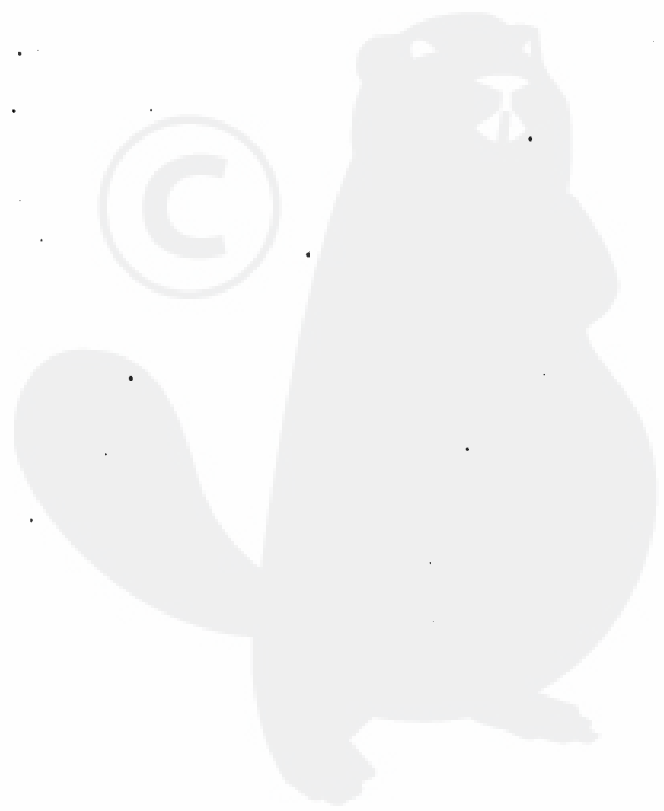


<<488VK.000031>>

Ref No		Part Name	Part No	Q' ty
	*	BREATHER ASSY	22160-33900	1
3-23	**	PIPE, BREATHER	22160-33910	1
3-24	**	ELEMENT	22155-33950	1
3-25	**	SPRING	22160-33920	1
	*	FUEL PIPE ASSY	22160-34100	1
3-26	**	FUEL PIPE	22160-34110	1
	**	FUEL FILTER SUB ASSY	22115-85401	1
3-27	***	WEIGHT, FUEL	22128-85410	1
3-28	***	FILTER	22128- <sup>85421</sup> <del>58421</del>	2
3-29	***	CLIP, FILTER	22128-85440	1
3-30	***	SCREEN	22118-85460	2
3-31	***	SLEEVE	22128-85470	1
3-32	***	RING	22128-85480	1
3-33	**	CLIP	20020-85540	1
		CLEANER COVER ASSY	22160-82500	1
3-34	*	CLEANER COVER	22160-82510	1
3-35	*	KNOB	22155-82520	1
3-37		CAUTION LABEL	72139-33210	1
3-38		NAME PLATE	72297-31290	1
3-39		CAUTION PLATE, A	72297-31280	1



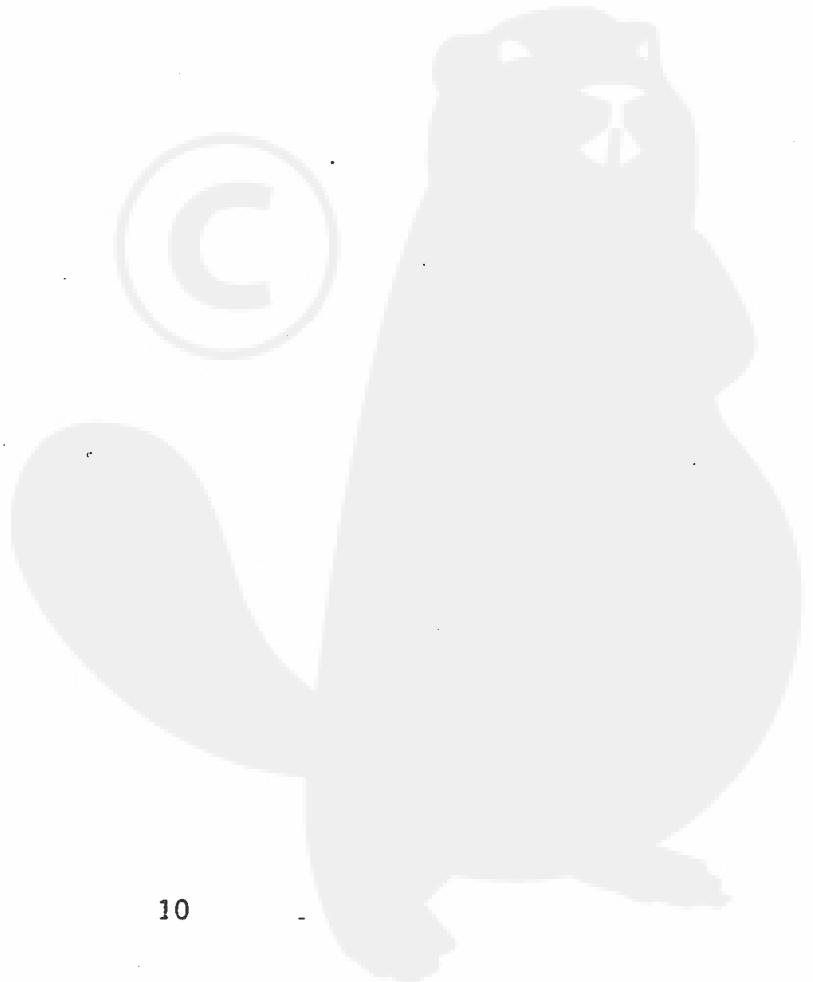
4. PISTON, CRANKSHAFT

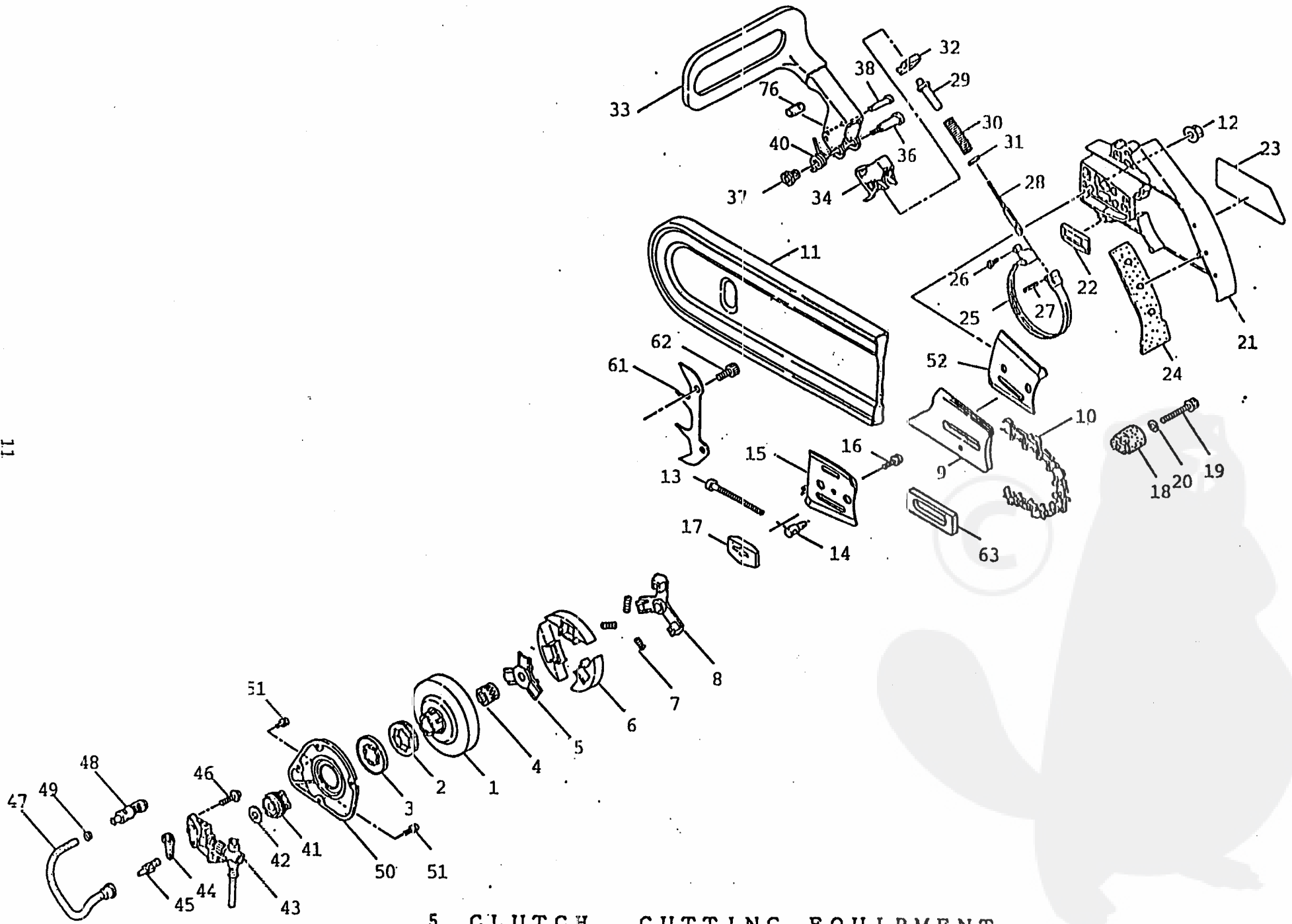


<<488VK.000040>>

4. PISTON, CRANKSHAFT

Ref No	Part Name	Part No	Q'ty
4- 1	PISTON	22157-41110	1
4- 2	PISTON RING	22157-41210	2
4- 3	PISTON PIN	22157-41220	1
4- 4	SNAP RING	22100-41230	2
4- 5	BEARING, SE	22160-41240	1
4- 6	CRANKSHAFT-A	22160-42000	1
4- 7	THRUST WASHER	22157-41250	2





5. CLUTCH, CUTTING EQUIPMENT

<<488VK.000050>>

5. CLUTCH. CUTTING EQUIPMENT

Ref No	Part Name	Part No	Q'ty
	CLUTCH DRUM ASSY	22160-51500	1
5- 1 *	CLUTCH DRUM	22160-51510	1
5- 2 *	RIM	22131-98120	1
5- 3 *	COVER	22160-51530	1
5- 4 *	BEARING	22100-51310	1
	CLUTCH ASSY	22160-51200	1
5- 5 *	CLUTCH BOSS, A	22160-51210	1
5- 6 *	CLUTCH SHOE	22160-51220	3
5- 7 *	CLUTCH SPRING	22160-51230	3
5- 8 *	CLUTCH BOSS, B	22160-51240	1
5- 9	GUIDE BAR	72313-52111	1
5-10	SAW CHAIN (21BP-65X)	18075-00650	1
5-11	PROTECTOR	19600-44100	1
5-12	NUT	22154-52410	2
5-13	SLIDE SCREW	22160-53310	1
5-14	SLIDE PIECE	22150-52440	1
5-15	GUIDE PLATE, C	22160-97630	1
5-16	SCREW-PM-SPW	22160-56150	1
5-17	CHAIN PAT	22160-52470	1
5-18	CHAIN CATCHER	22160-52510	1
5-19	BOLT	22155-12190	1
5-20	WASHER	01611-05100	1
5-61	SPIKE	22160-52530	1
5-62	BOLT	22157-15330	2
5-63	SPACER	22128-52230	1

2160-51501

2160-51511

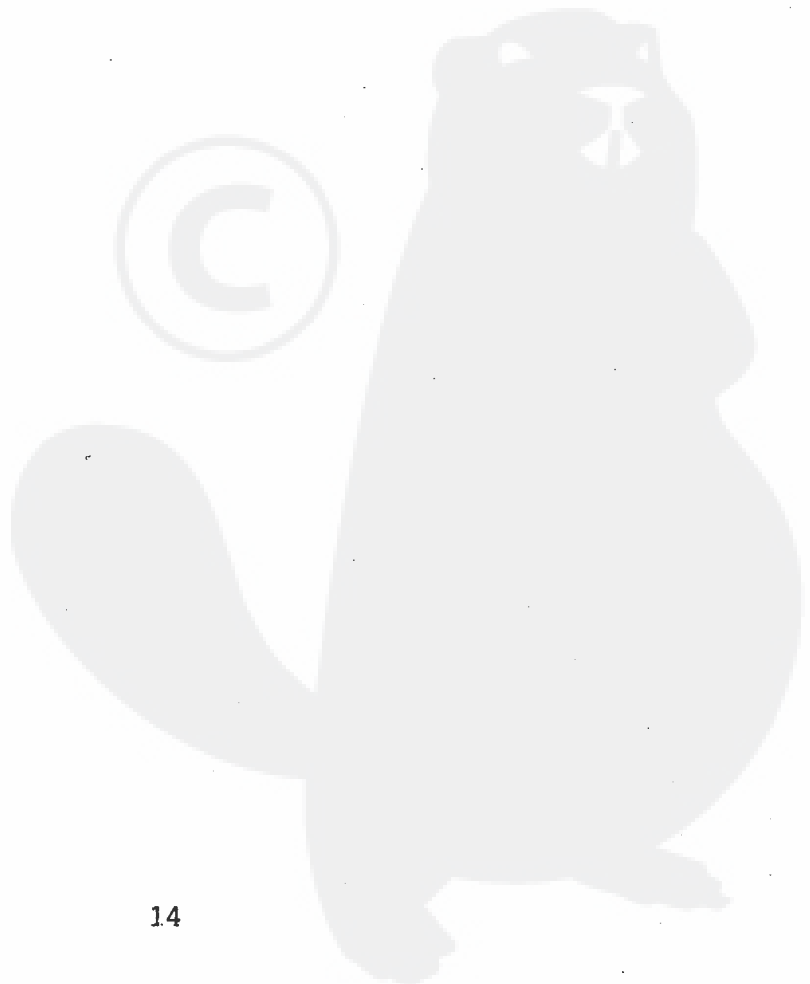
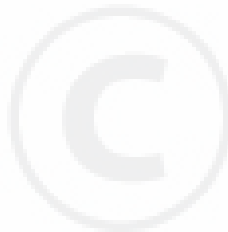
<<488VK.000051>>

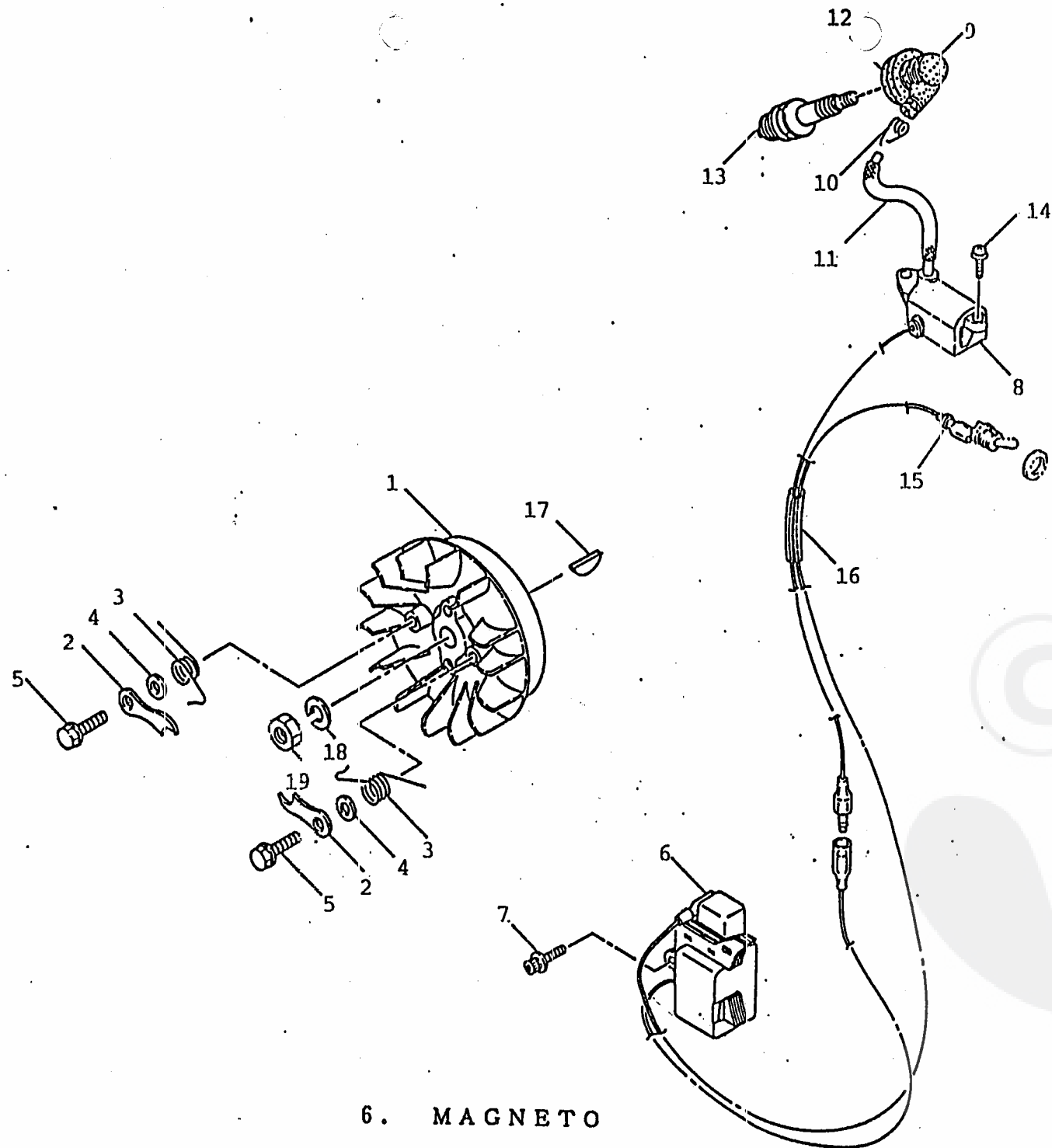
Ref No		Part Name	Part No	Q'ty
		BRAKE ASSY	72311-54000	1
	*	CLUTCH COVER SUB ASSY	72311-54100	1
5-21	**	CLUTCH COVER	22157-54110	1
5-22	**	CHAIN PAT	22160-52470	1
5-23	**	NAME PLATE	72311-54140	1
5-24	**	PROTECTOR	22160-54160	1
5-52	**	GUIDE PLATE, D	22160-97640	1
5-25	*	BRAKE BAND	22160-54210	1
5-26	*	BOLT	22160-54220	1
5-27	*	SPRING PIN	02427-40125	1
5-28	*	ADJUST ROD	22160-54310	1
5-29	*	ADJUST SCREW	22150-54320	1
5-30	*	BRAKE SPRING	22150-54330	1
5-31	*	WASHER	22160-54340	1
5-32	*	BLOCK	22150-54410	2
5-33	*	LEVER	22160-54510	1
5-34	*	INNER LEVER	22150-54520	1
5-36	*	BOLT, LEVER	72231-54580	1
5-37	*	NUT, LEVER	72231-54590	1
5-38	*	STOPPER PIN	72231-54610	1
5-76	*	COLLAR	72231-54620	1
5-40	*	SPRING, LEVER	22150-54630	1
5-41		GEAR	22154-55110	1
5-42		THRUST PLATE	22154-55120	1
5-43		OIL PUMP-A	22150-55202	1

22157-54111

<<488VK.000052>>

Ref No	Part Name	Part No	Q'ty
5-44	GASKET PUMP	22150-55411	1
5-45	ELBOW	22160-55420	1
5-46	SCREW-PM	11205-04160	2
	OIL PIPE-A	22160-55300	1
5-47 *	OIL PIPE	22160-55310	1
5-48 *	OIL FILTER	22160-57360	1
5-49 *	CLIP OIL	22100-57370	1
5-50	PUMP COVER	22160-56110	1
5-51	SCREW-PM-SPW	22160-56150	4





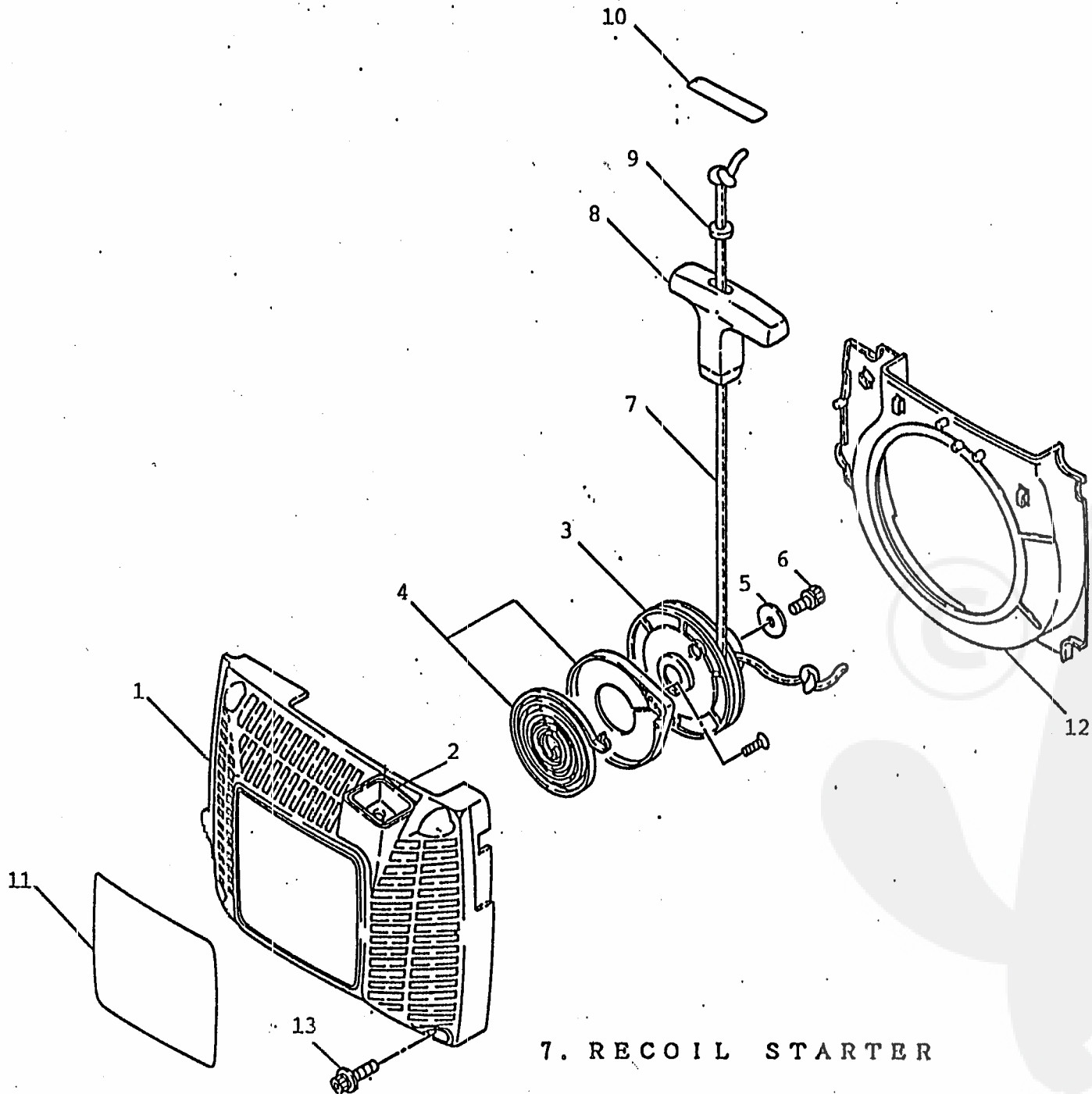
6. MAGNETO



<<488VK.000060>>

6. MAGNETO

Ref No	Part Name	Part No	Q'ty
	ROTER ASSY	22160-71100	1
6- 1 *	ROTER	22160-71110	1
6- 2 *	RATCHET	22100-71410	2
6- 3 *	SPRING RATCHET	22100-71420	2
6- 4 *	WASHER	22100-71430	2
6- 5 *	BOLT	22140-71440	2
6- 6	COIL	22160-71510	1
6- 7	BOLT SLPW	11024-04160	2
	IGNITION COIL ASSY	22160-71900	1
6- 8 *	IGNITION COIL	22160-71700	1
6- 9 *	PLUG CAP	22160-72220	1
6-10 *	SPRING, PLUG	22154-72230	1
6-11 *	TUBE	22160-72240	1
6-12 *	SEAL, CAP	22160-72260	1
6-13	SPARK PLUG	13000-13507	1
6-14	SCREW-PM	11205-04160	2
6-15	CORD	22160-71520	1
6-16	TUBE	22160-71530	1
6-17	KEY	22100-43210	1
6-18	SPRING WASHER	01600-08201	1
6-19	NUT	22100-43231	1

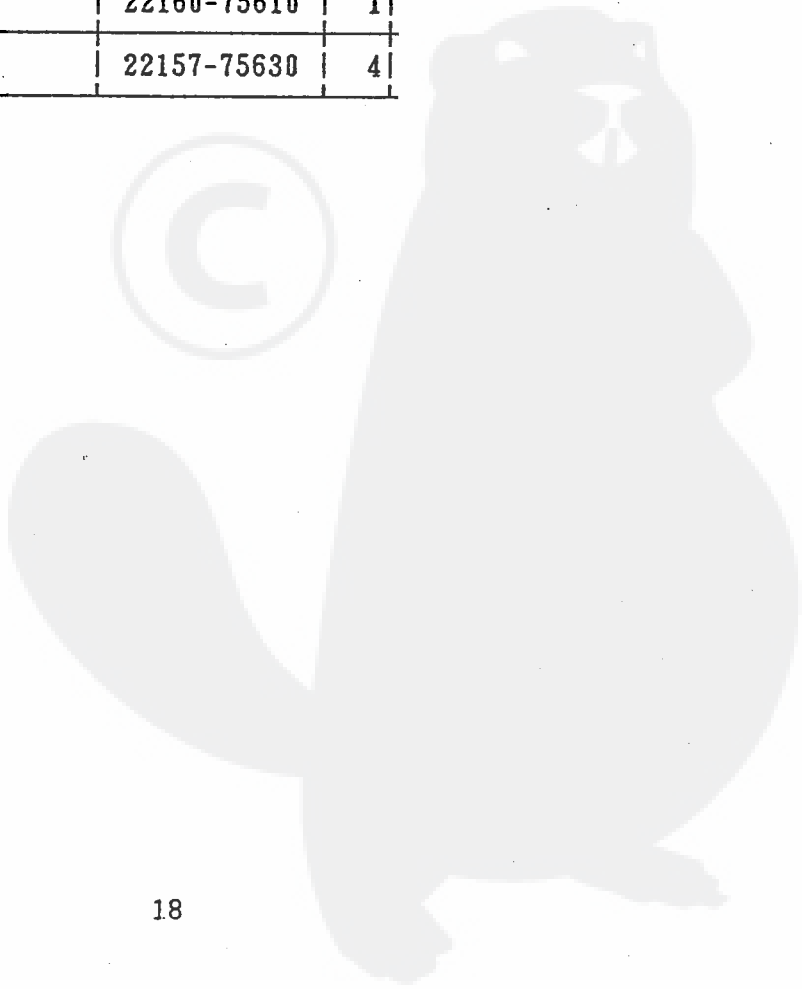
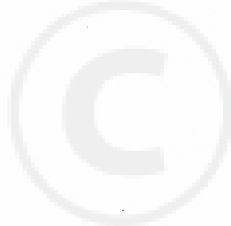


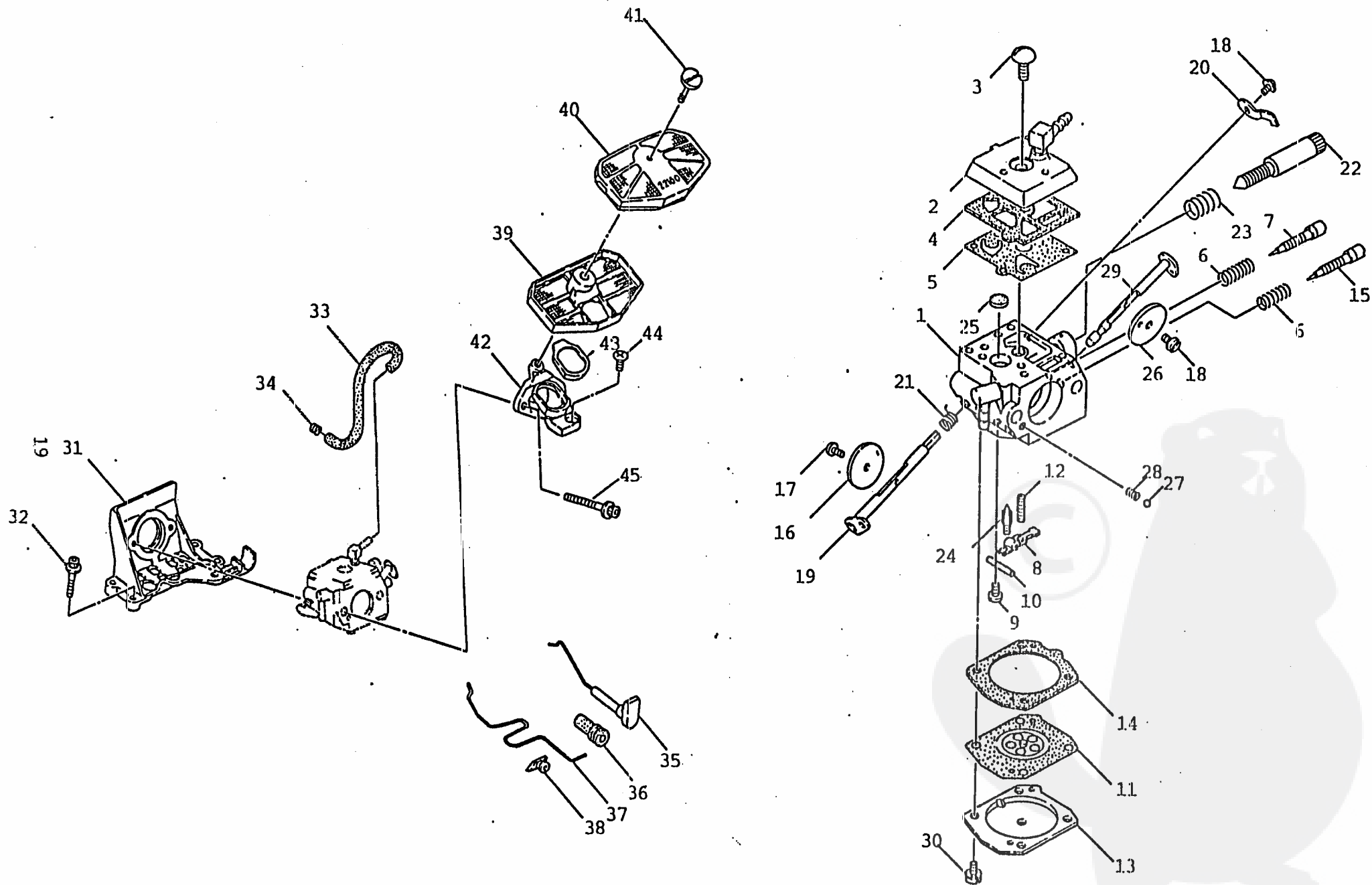
7. RECOIL STARTER

<<488VK.000070>>

7. RECOIL STARTER

Ref No	Part Name	Part No	Q'ty
	STARTER SUB ASSY	72311-75900	1
7- 1 *	RECOIL CASE	22160-75210	1
7- 2 *	ROPE GUIDE	22160-75220	1
7- 3 *	REAL	22160-75310	1
7- 4 *	SPRING	22160-75410	1
7- 5 *	WASHER	22160-75450	1
7- 6 *	BOLT	01020-05120	1
7- 7 *	ROPE	22160-75510	1
7- 8 *	KNOB, RECOIL	22150-75520	1
7- 9 *	STOPPER KNOB	22150-75530	1
7-10 *	TAPE	20010-75230	1
7-11 *	NAME PLATE, R	72311-75230	1
7-12	AIR PLATE	22160-75610	1
7-13	BOLT-SLPW	22157-75630	4





8. CARBURETOR

<<488VK.000080>>

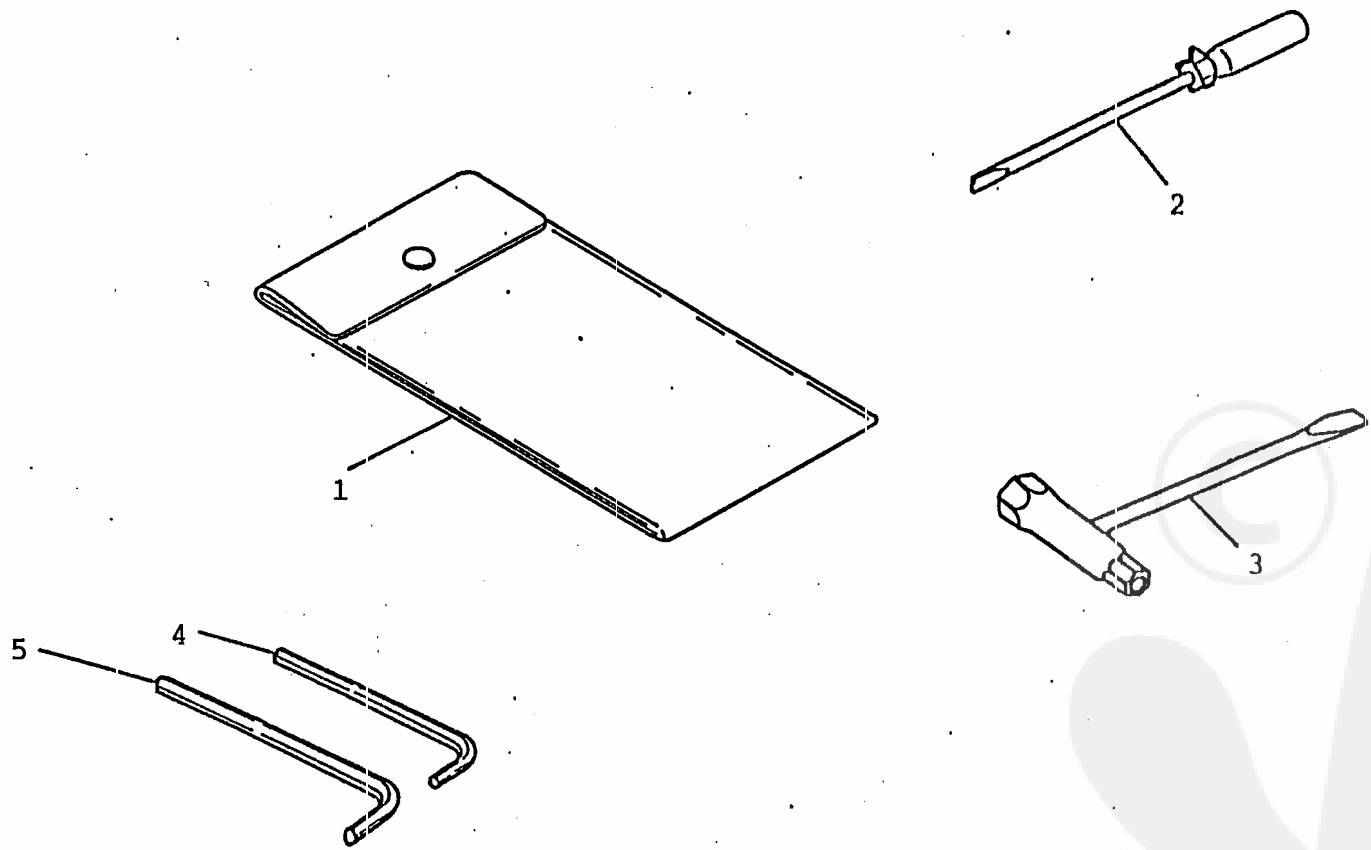
8. CARBURETOR

Ref No		Part Name	Part No	Q'ty
		CARBURETOR ASSY	22160-81000	1
8- 1	*	BODY ASSY	22160-81110	1
8- 2	*	PUMP COVER ASSY	22150-81120	1
8- 3	*	SCREW	22100-81130	1
8- 4	*	GASKET, PUMP	22150-81140	1
8- 5	*	DIAPHRAGM, PUMP	22150-81150	1
8- 6	*	SPRING NEEDLE	22160-81160	2
8- 7	*	L, NEEDLE	22160-81170	1
8- 8	*	LEVER	22150-81230	1
8- 9	*	SCREW	22100-81240	1
8-10	*	PIN	22100-81250	1
8-11	*	DIAPHRAGM ASSY	22150-81260	1
8-12	*	SPRING, LEVER	22100-81270	1
8-13	*	COVER DIAPHRAGM	22150-81280	1
8-14	*	GASKET, DIAPHRAGM	22150-81290	1
8-15	*	H, NEEDLE	22160-81330	1
8-16	*	THROTTLE VALVE	22160-81340	1
8-17	*	SCREW ASSY	22150-81420	1
8-18	*	SCREW	22100-81360	2
8-19	*	SHAFT ASSY	22160-81370	1
8-20	*	STOPPER	22160-81390	1
8-21	*	RETURN SPRING	22150-81430	1
8-22	*	IDLE SCREW	22156-81410	1
8-23	*	SPRING, IDLE	22156-81420	1
8-24	*	NEEDLE VALVE	20036-81440	1

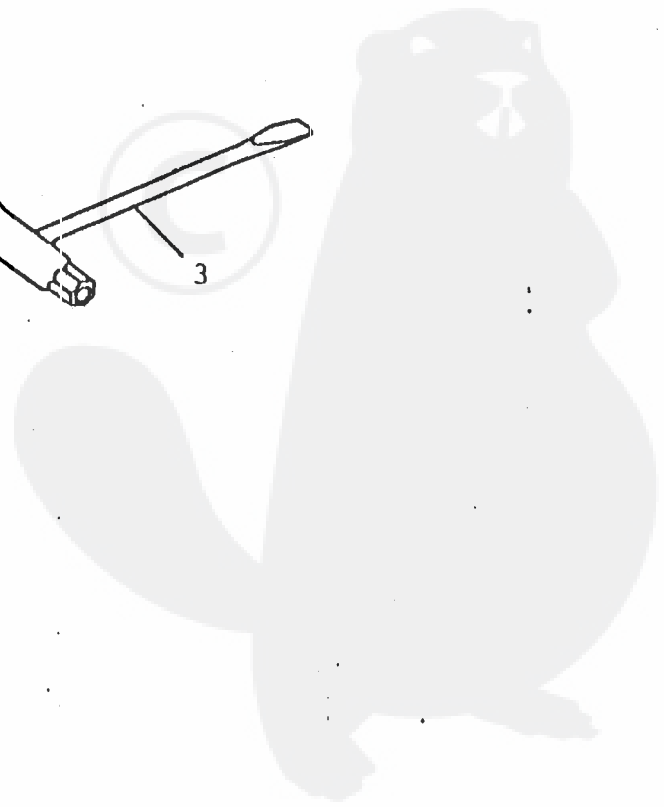
22100-81340

<<488VK.000081>>

Ref No		Part Name	Part No	Q'ty
8-25	*	SCREEN	70030-81380	1
8-26	*	CHOKE. VALVE	22160-81710	1
8-27	*	BALL	22150-81720	1
8-28	*	SPRING	22150-81730	1
8-29	*	SHAFT ASSY	22150-81740	1
8-30	*	SCREW ASSY	22100-81351	4
		AIR CLEANER ASSY	22160-82000	1
8-31	*	MOUNT	22160-82110	1
8-32	*	BOLT-SLPW	11024-04160	4
	*	PULSE PIPE-COMP.	22160-82200	1
8-33	**	PULSE PIPE	22160-82210	1
8-34	**	CLIP, PULSE	22150-82140	1
8-35	*	CHOKE ROD	22160-82310	1
8-36	*	GROMMET, CHOKE	22160-82320	1
8-37	*	THROTTLE, ROD	22160-82350	1
8-38	*	GROMMET, ROD	22160-82360	1
	*	CLEANER COMP.	22160-82400	1
8-39	**	CLEANER, LOWER	22160-82410	1
8-40	**	CLEANER, UPPER	22160-82420	1
8-41	**	SCREW	22160-82490	1
	*	ELBOW, CARB-COMP.	22160-82475	1
8-42	**	ELBOW, CARB	22160-82430	1
8-43	**	SEAL, ELBOW	22160-82450	1
8-44	*	SCREW	01201-05120	1
8-45		BOLT	11022-05500	2



9. TOOL SET



<<488VK.000090>>

9. TOOL SET

Ref No		Part Name	Part No	Q'ty
		TOOL SET	72297-91000	1
9- 1	*	TOOL BAG	22154-91110	1
9- 2	*	DRIVER	22150-91160	1
9- 3	*	PLUG WRENCH	22150-91410	1
9- 4	*	WRENCH	22100-91551	1
9- 5	*	WRENCH	22100-91561	1

