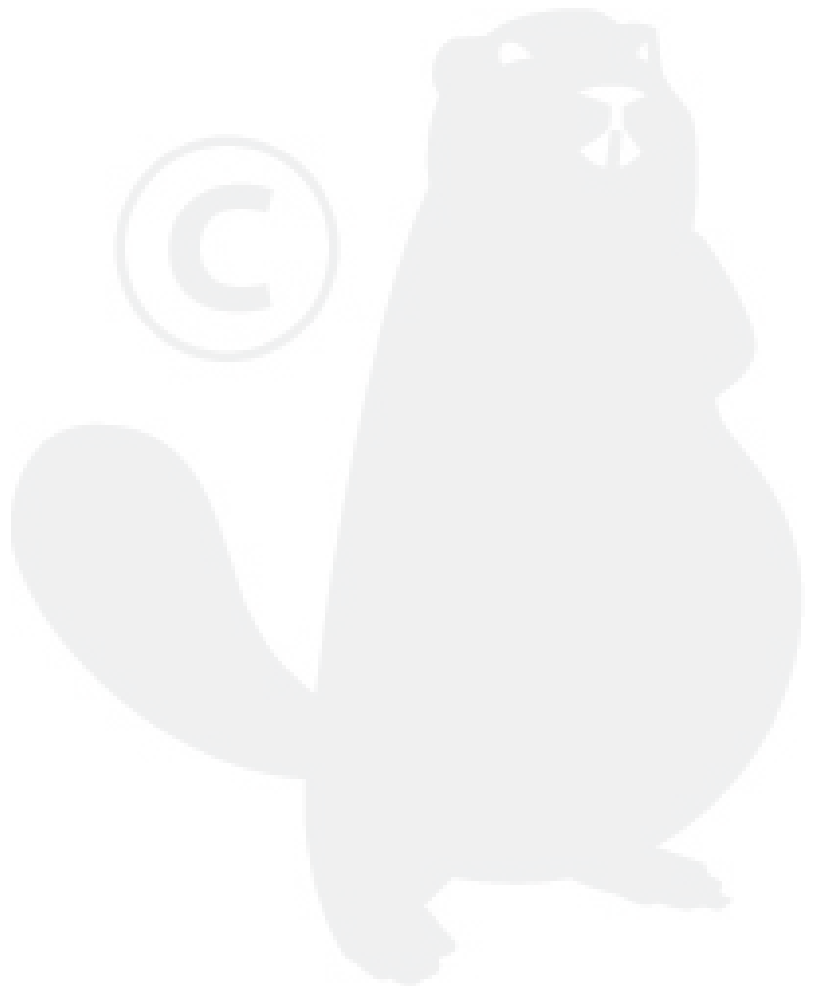
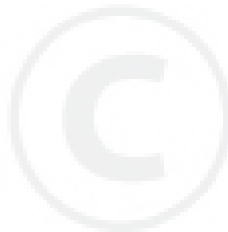
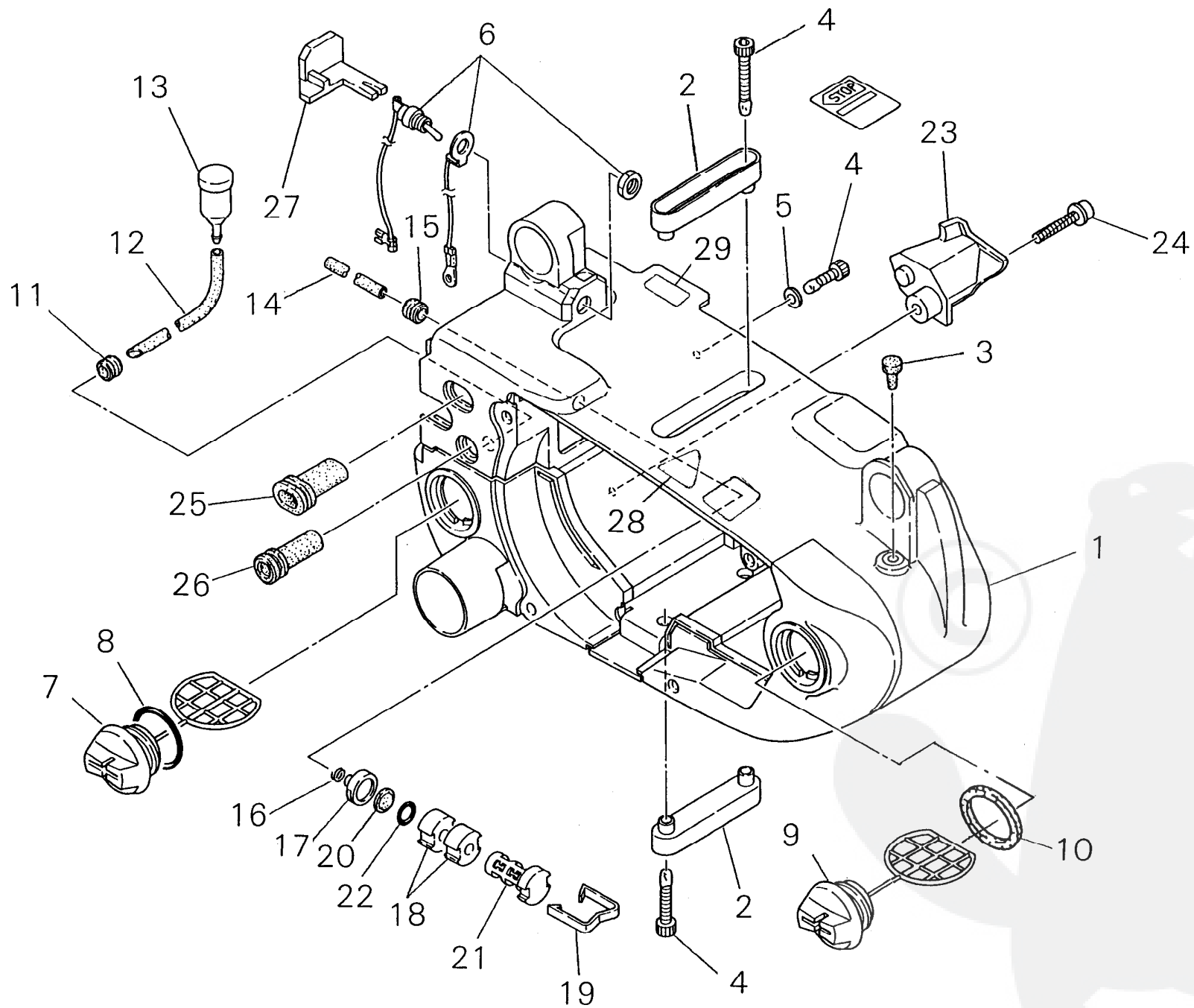
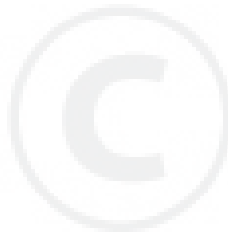


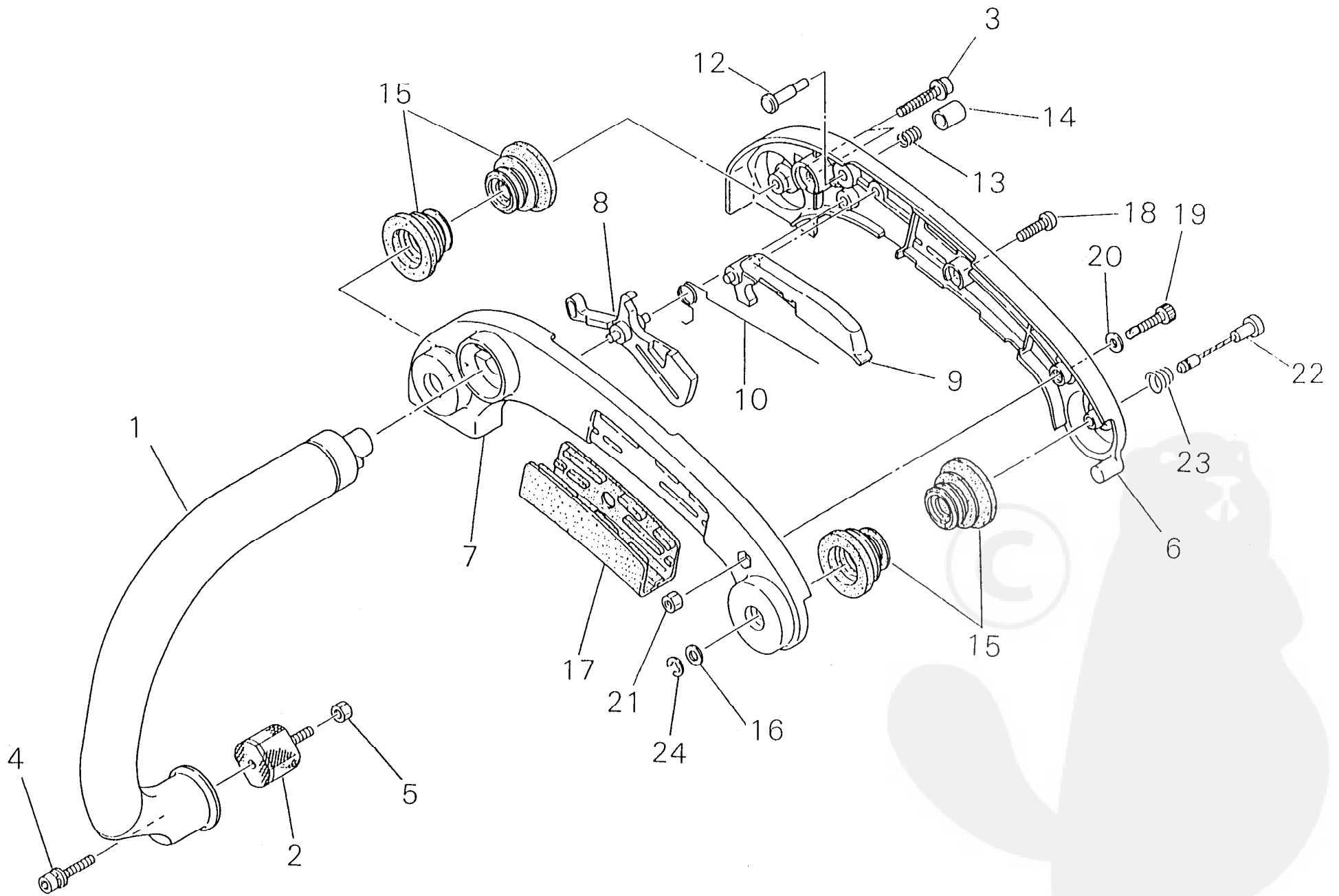
Ref. No	Part No.	Part Name	Q'ty
1-1	72320-12111	CYLINDER	1
2	72320-12211	CRANKCASE	1
3	12900-62010	BEARING	2
4	20000-21211	OILSEAL	2
5	01020-05200	BOLT	4
6	72321-15101	MUFFLERSUBASSY	1
7	72321-15140	*TAILPLATE	1
8	72321-15150	*GASKET	1
9	11203-04060	*SCREWPM	2
10	22115-15210	GASKETMUFFLER	1
11	22100-31210	WASHER	2
12	01020-05550	BOLT	2



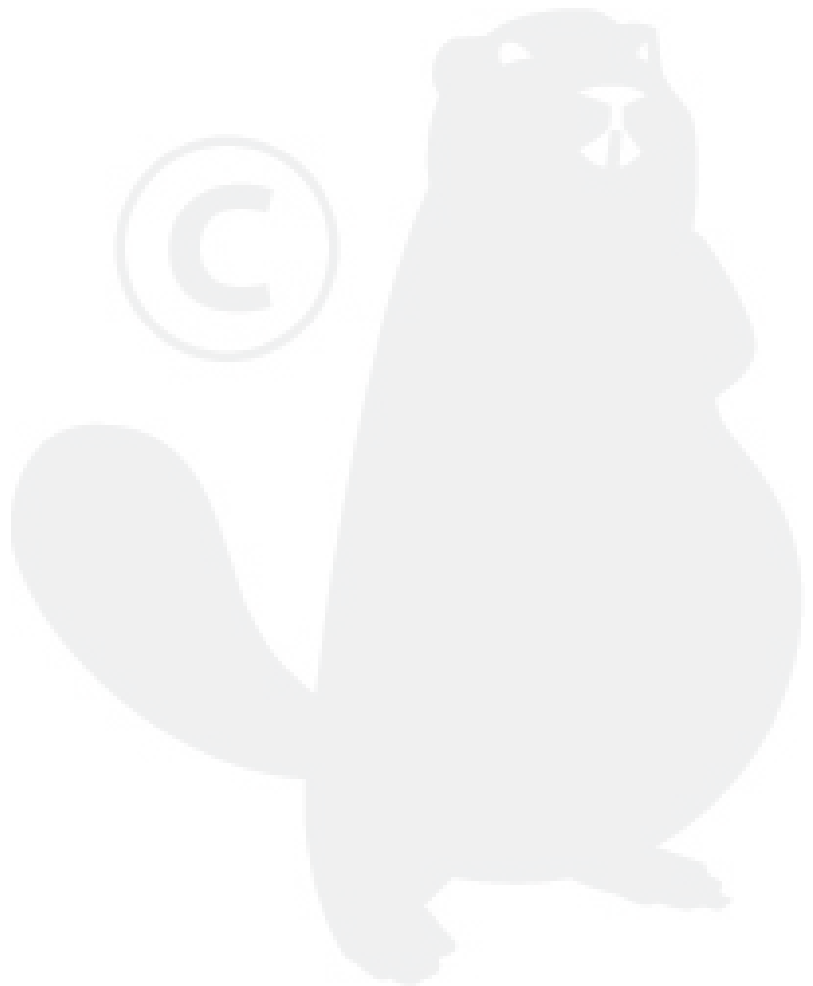
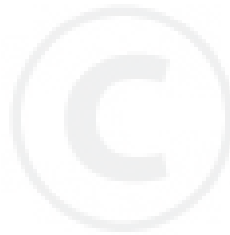


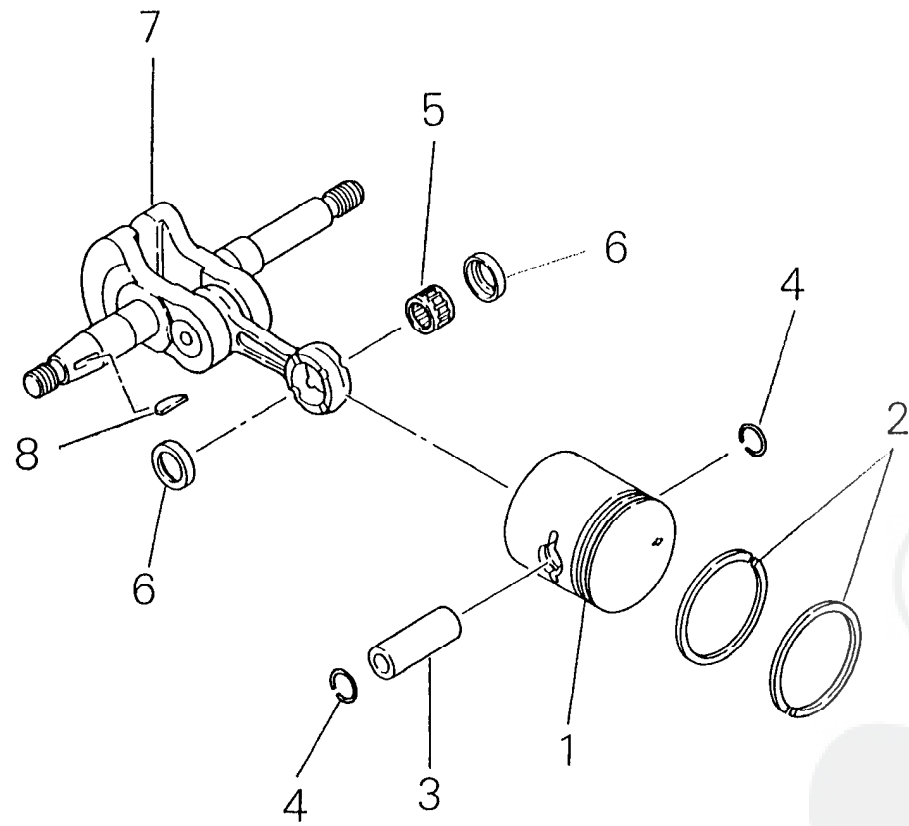
2-1	72322-31110	ENGINECOVER	1
2	72320-31130	INSERTCOVER	2
3	22115-57120	VALVEOILTANK	1
4	11060-05200	BOLTADHESIVE	5
5	22100-31210	WASHER	1
6	72320-31200	SWITCHASSY	1
7	72320-31303	CAPASSY	1
8	02301-02402	*ORING	1
9	72320-31403	CAPASSY	1
10	22160-21351	*GASKETCAP	1
11	72320-85210	GROMMETFUEL	1
12	72320-85220	BREATHERPIPE	1
13	20035-85522	VALVE	1
14	72320-85330	FUELPIPE	1
15	72320-85210	GROMMETFUEL	1
16	20020-85540	CLIP	1
	22115-85401	FUELFILTERSUBASSY	1
17	22128-85410	*WEIGHTFUEL	1
18	22128-85421	*FILTER	2
19	22128-85440	*CLIPFILTER	1
20	22118-85460	*SCREEN	2
21	22128-85470	*SLEEVE	1
22	22128-85480	*RING	1
23	72320-52510	CHAINSTOPPER	1
24	70140-31480	BOLTPC	1
25	72320-82230	GROMMETCARBURETOR	1
26	72320-82240	GROMMETSLOW	1
27	72320-82350	GROMMETSWITCH	1
28	19402-00083	LABELCAUTION	1
29	19401-00093	LABELINST	1





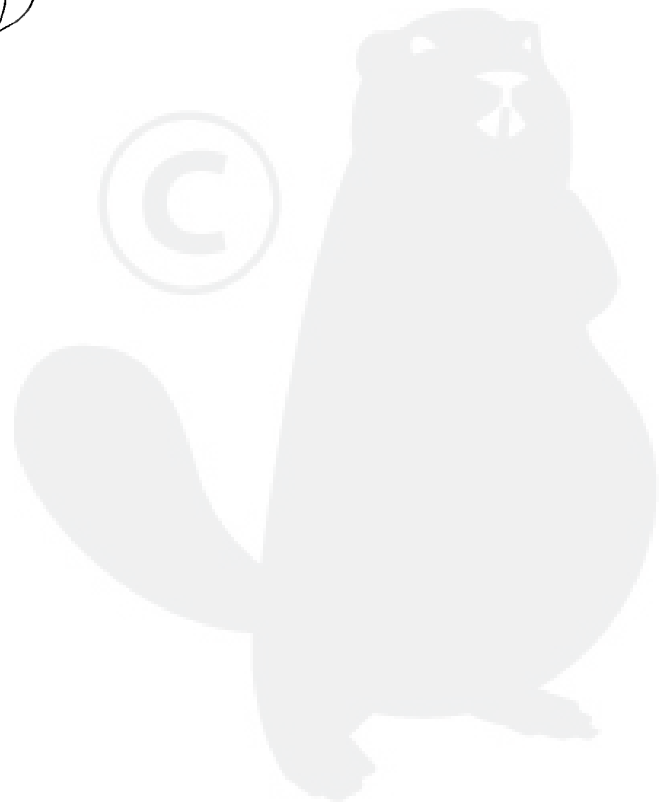
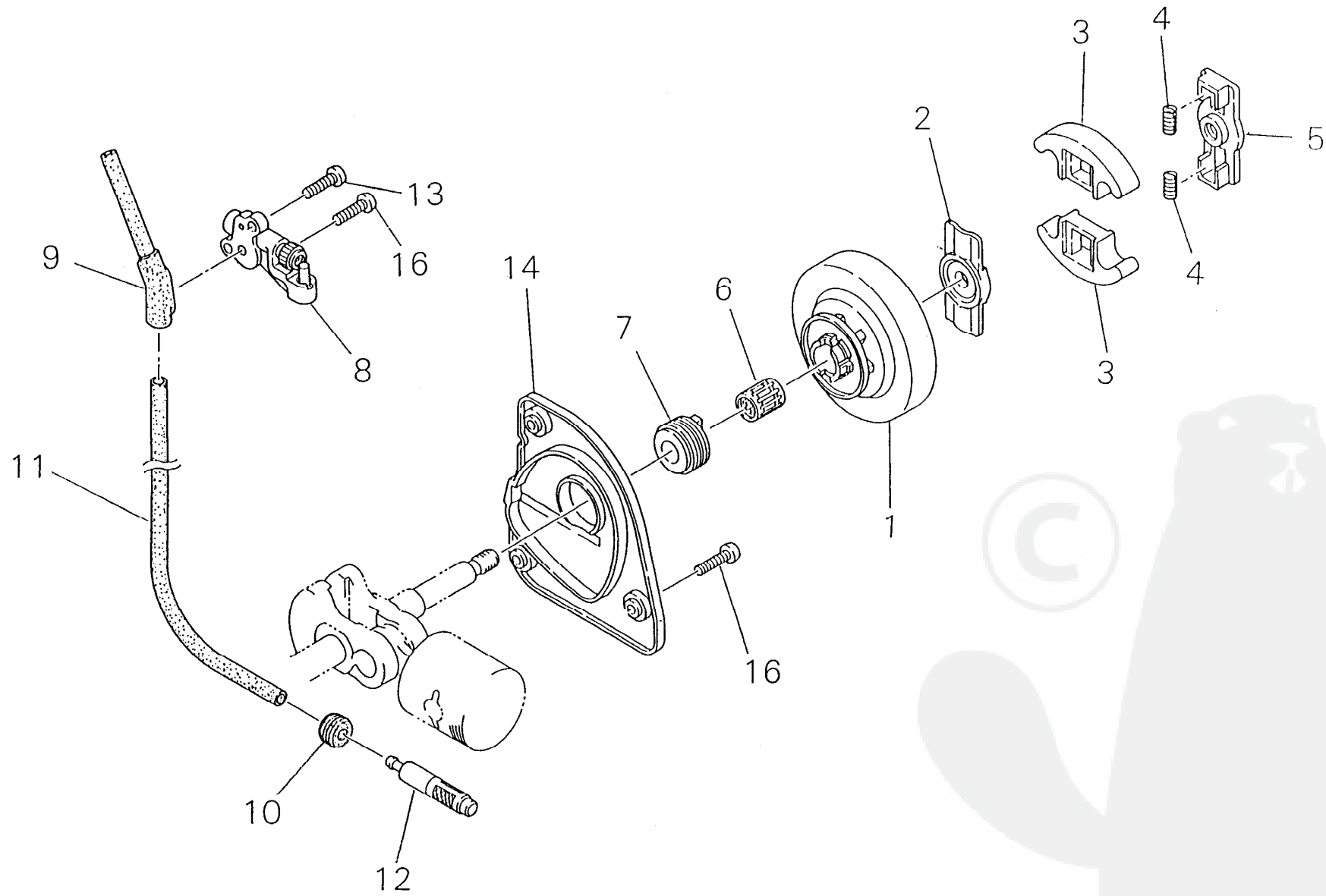
3-1	72320-32111	FRONTHANDLE	1
2	22135-32160	CUSHION22B	1
3	70140-31480	BOLTPC	2
4	11022-05120	BOLTSPW	1
5	20011-12260	NUT	1
6	72320-33110	REARHANDLER	1
7	72320-33120	REARHANDLEL	1
8	72320-33131	THROTTLELEVER	1
9	72320-33140	LOCKLEVER	1
10	72320-33150	THROTTLSPRING	1
12	72320-33170	STOPPERROD	1
13	22150-82530	SPRING	1
14	72320-33190	STOPPERBUTTON	1
15	72321-33210	CUSHIONREAR	4
16	01610-06080	WASHER	1
17	72320-33231	GRIP	1
18	01270-04122	SCREWTAPPING	1
19	11060-05200	BOLTADHESIVE	1
20	01610-05080	WASHER	1
21	20011-12260	NUT	1
22	72320-33310	STOPPER	1
23	72320-33320	SPRING	1
24	02434-40060	SNAPRING	1





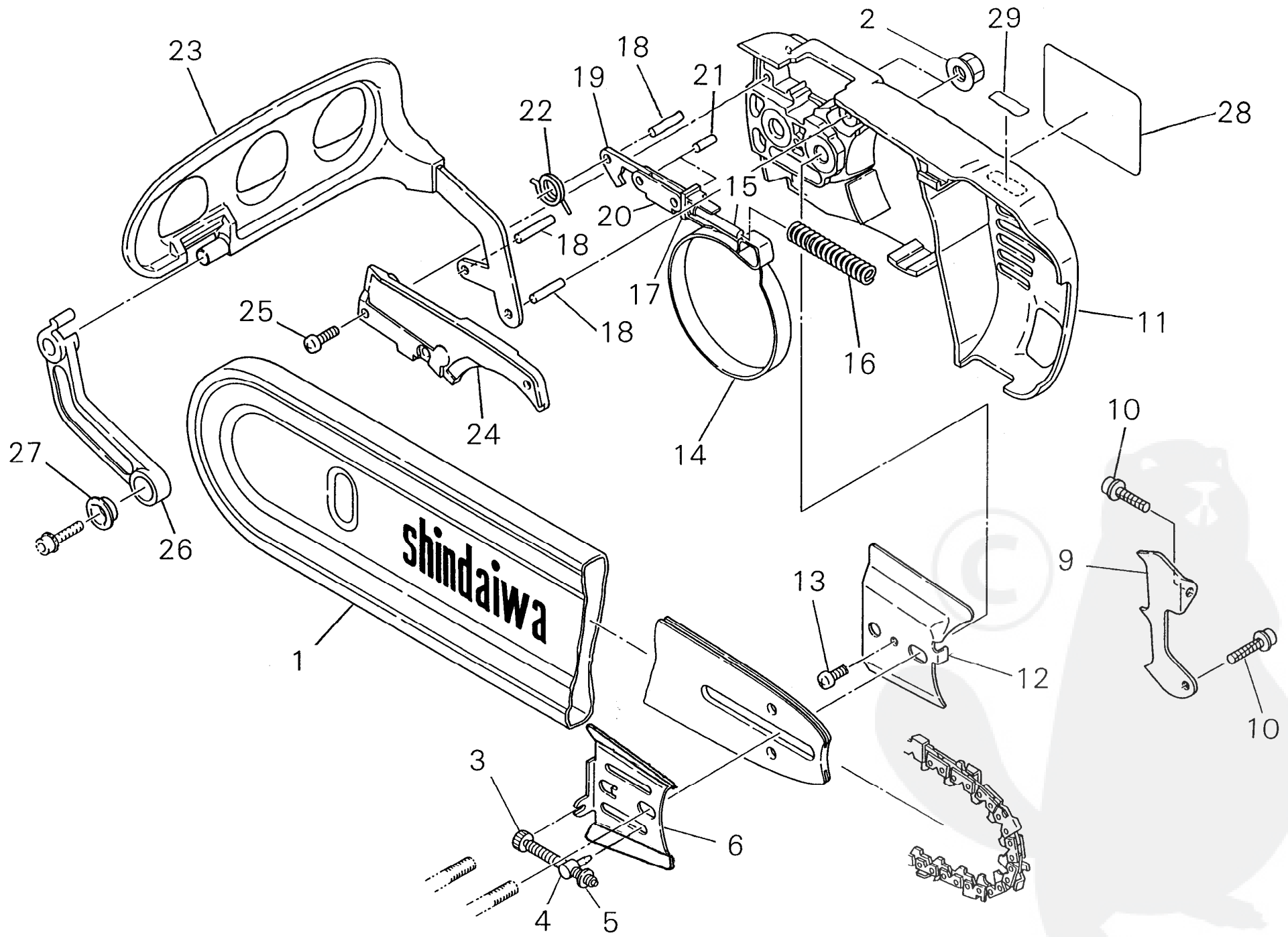
4-1	72320-41110	PISTON	1
2	72320-41210	PISTONRING	2
3	20010-41310	PISTONPIN	1
4	22100-41230	SNAPRING	2
5	20010-41330	NEEDLEBEARING	1
6	22156-41340	THRUSTWASHER	2
7	72320-42000	CRANKSHAFTASSY	1
8	02403-03100	KEY	1





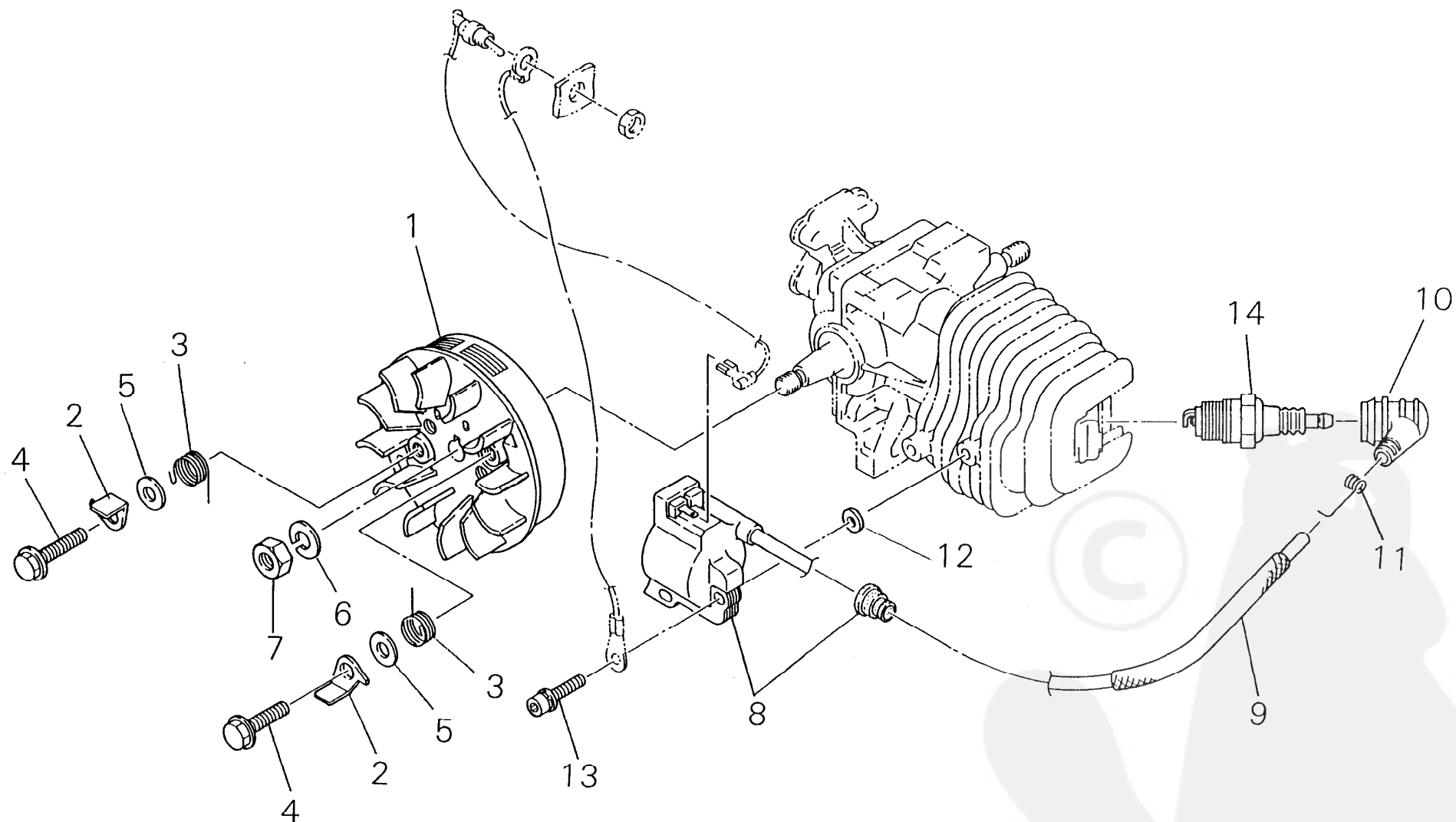
5-1	72320-51110	CLUTCHDRUM	1
	72320-51200	CLUTCHASSY	1
2	72320-51210	*CLUTCHBOSSA	1
3	72320-51220	*CLUTCHSHOE	2
4	22160-51230	*CLUTCHSPRING	2
5	72320-51240	*CLUTCHBOSSB	1
6	22102-51310	NEEDLEBEARING	1
7	72320-55110	GEAR	1
8	72320-55200	OILPUMPASSY	1
	72320-55300	OILFILTERASSY	1
9	72320-55310	*GROMMETPUMP	1
10	72320-55320	*GROMMETOIL	1
11	72320-55330	*OILPIPE	1
12	22154-55330	*OILFILTER	1
13	01270-04122	SCREWTAPPING	1
14	72320-56110	PUMPCOVER	1
16	01270-04162	SCREWTAPPING	4



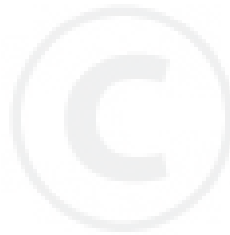


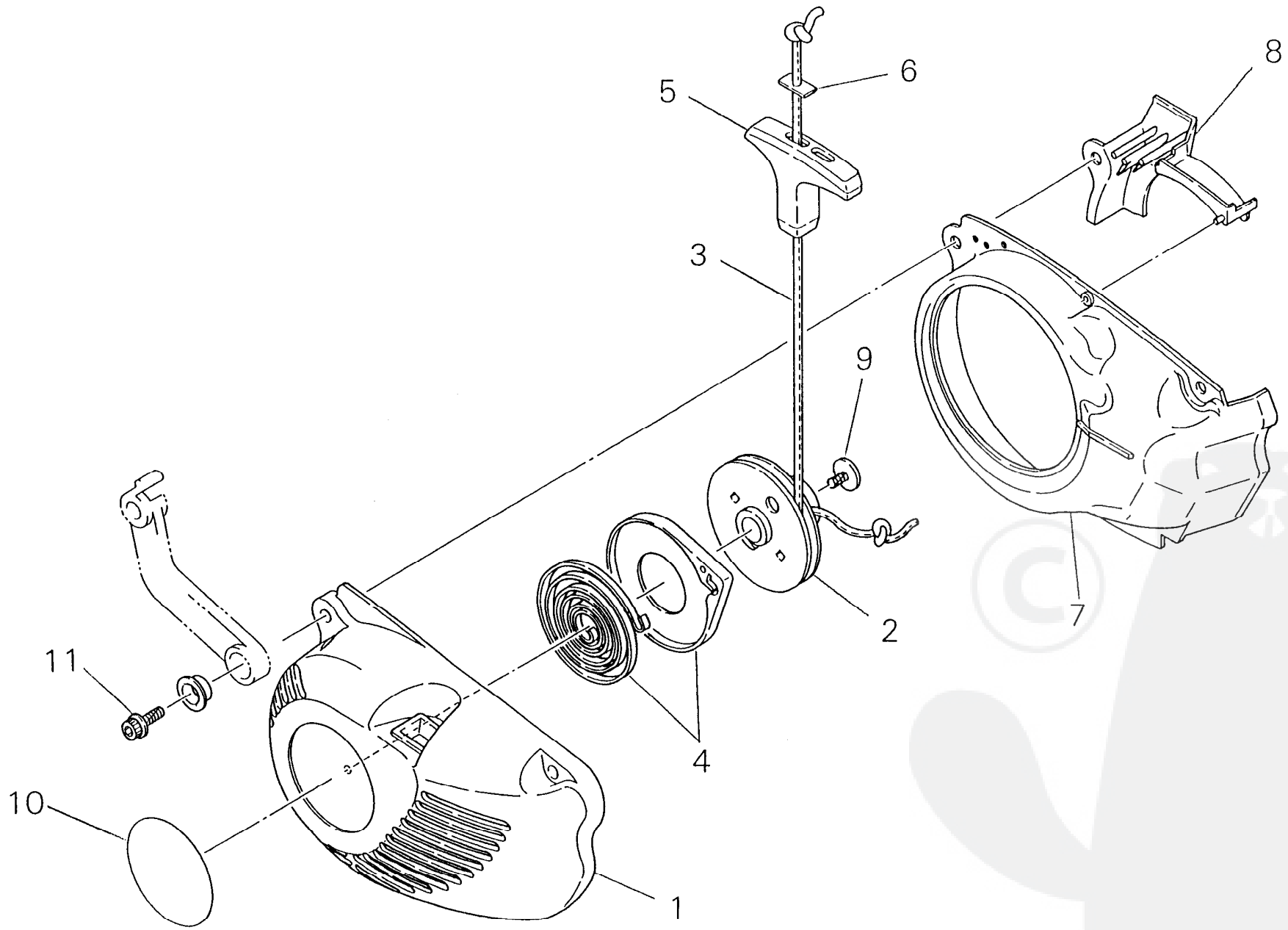
6-1	19600-44100	CHAINCOVER	1
2	22150-52411	NUT	2
3	22154-52421	SLIDESCREW	1
4	22150-52440	SLIDEPIECE	1
5	22154-52450	PUSHNUT	1
6	22159-54150	GUIDEPLATEA	1
9	72320-52530	SPIKE	1
10	70140-31480	BOLTPC	2
	72320-54001	BRAKEASSY	1
11	72320-54111	*CLUTCHCOVER	1
12	22159-54160	*GUIDEPLATEB	1
13	01270-04082	*SCREWTAPPING	1
14	72320-54210	*BRAKEBAND	1
15	72320-54220	*ROD	1
16	72320-54230	*BRAKESPRING	1
17	72316-54310	*ADJUSTPLATE	1
18	12492-40140	*ROLLER	3
19	22173-54561	*INNERLEVER	1
20	72316-54570	*TIESTRAP	1
21	12492-40080	*ROLLER	2
22	72320-54580	*SPRINGLEVER	1
23	72322-54510	*BREAKLEVR	1
24	72320-54610	*PLATE	1
25	01270-04122	*SCREWTAPPING	3
26	72320-54710	STAY	1
27	22169-54660	SPACER	1
28	22178-92170	LABELTRADE	1
29	72320-92150	CAUTIONPLATE	1





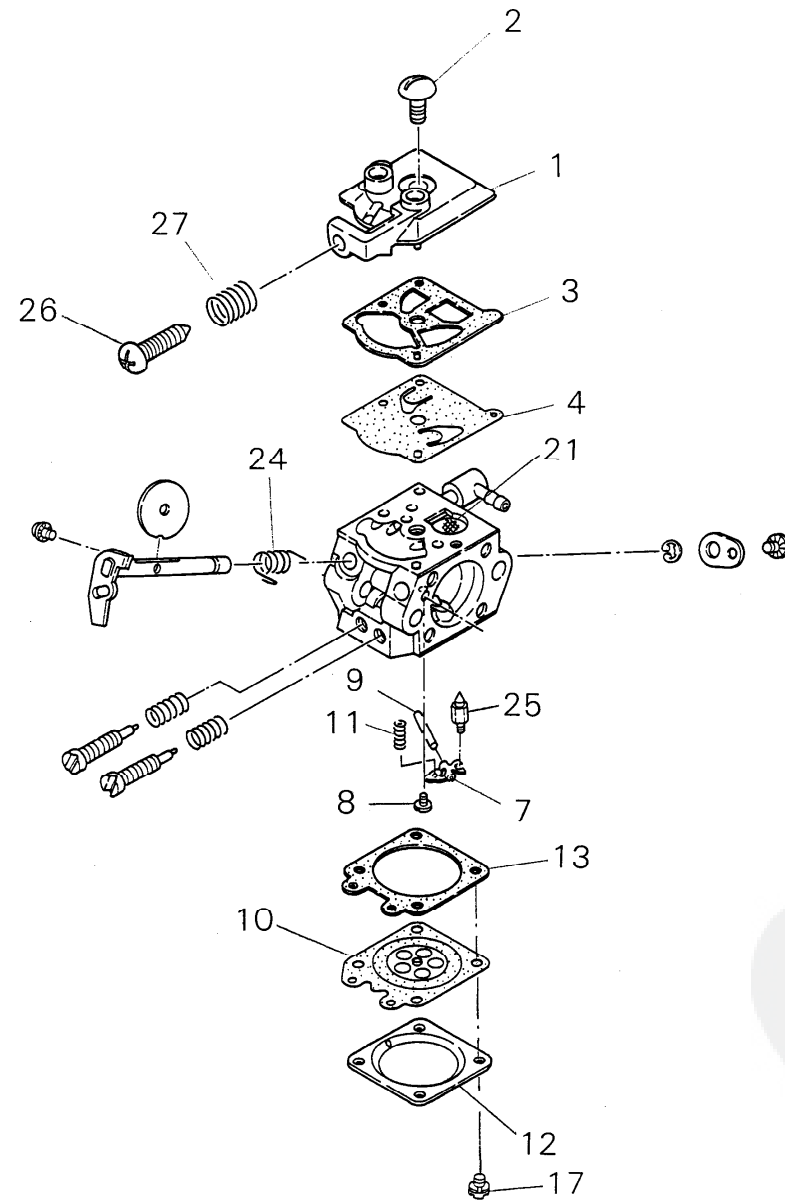
7- 1	72320-71110	ROTOR	1
2	72320-71410	RATCHET	2
3	72320-71420	SPRINGRATCHET	2
4	22100-71441	BOLT	2
5	22100-71430	WASHER	2
6	01600-08201	SPRINGWASHER	1
7	22100-43231	NUT	1
8	72320-71600	COILSUBASSY	1
9	72320-71640	TUBE	1
10	22160-72220	PLUGCAP	1
11	22154-72230	SPRINGPLUG	1
12	22106-71810	INSULATOR	2
13	11022-04200	BOLTSPW	2
14	13000-13507	SPARKPLUGBPMR7A	1



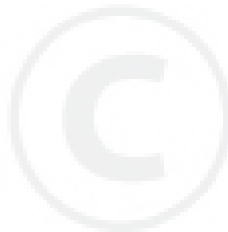


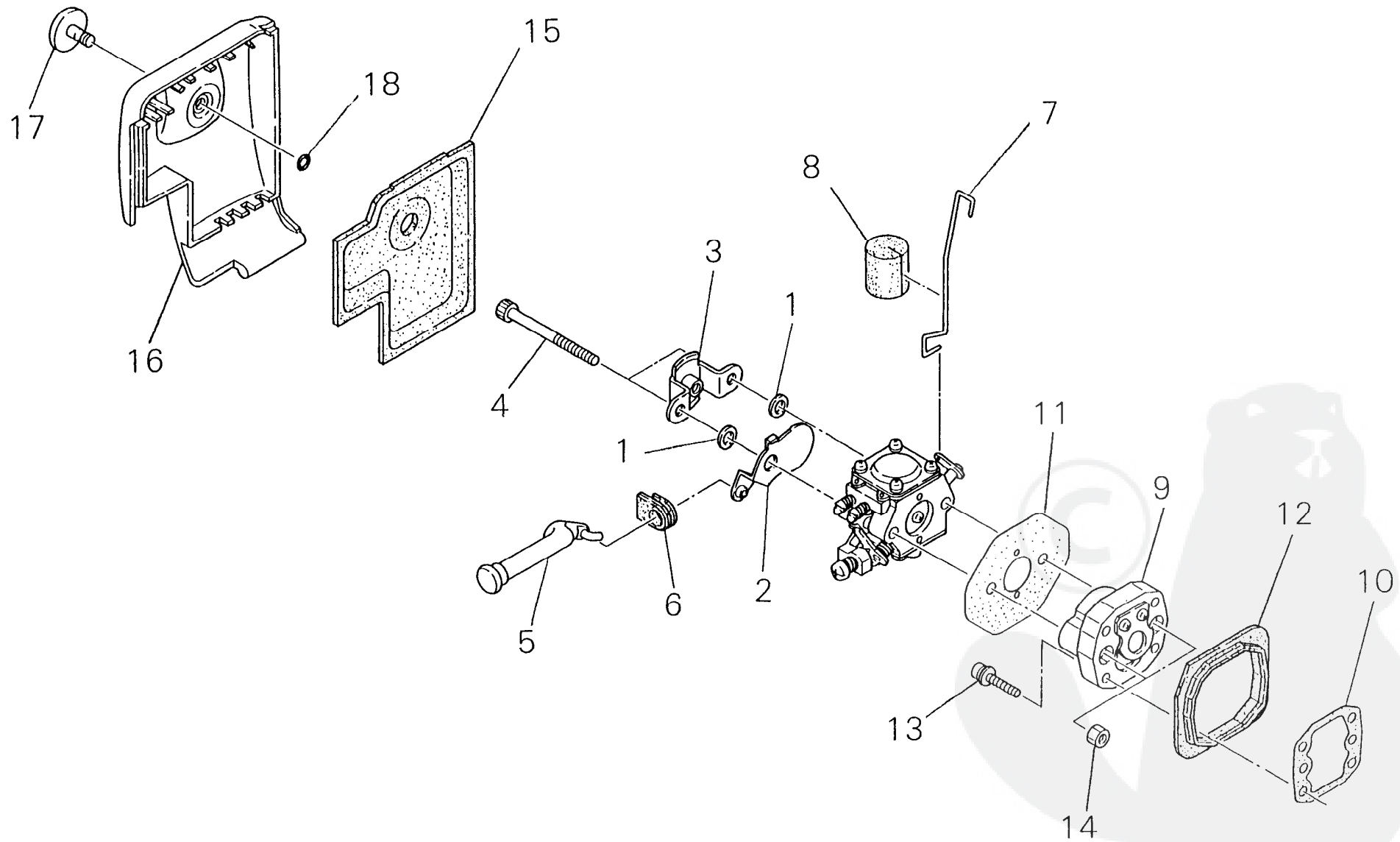
8-	72320-75100	RECOILSTARTERSUBASSY	1
1	72320-75110	*RECOILCASE	1
2	72320-75210	*REEL	1
3	72320-75410	*ROPE	1
4	22155-75410	*RECOILSPRINGASSY	1
5	22159-75420	*KNOBRECOIL	1
6	22104-75430	*STOPPERKNOB	1
7	72320-75610	AIRPLATECOVER	1
8	72320-75620	AIRPLATERECOIL	1
9	72320-75420	SCREW TAPPING	1
10	22178-92180	LABELTRADE	1
11	22169-32210	BOLTPC	4





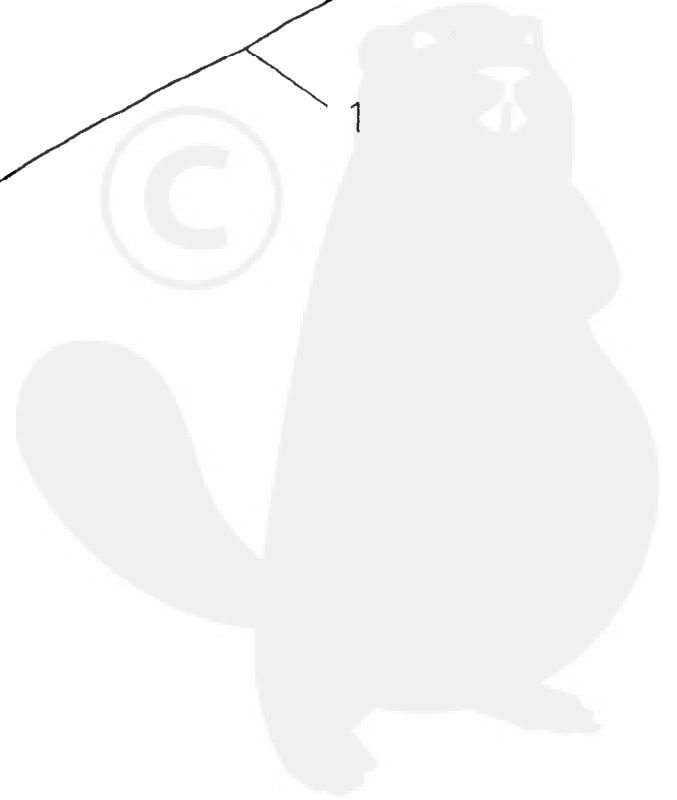
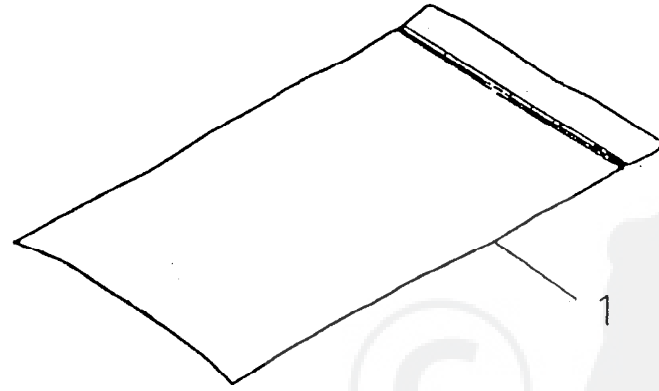
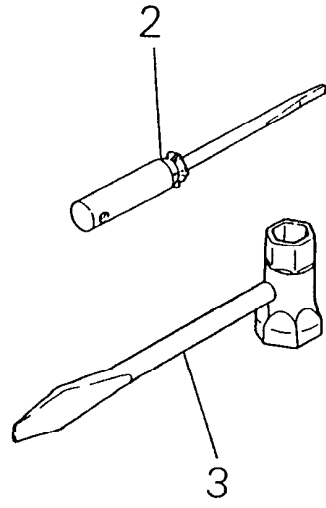
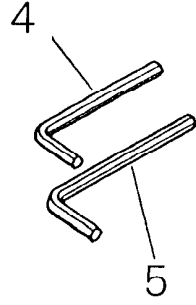
9-	72320-81002	CARBURETORASSY	1
1	22156-81120	*PUMPCOVERASSY	1
2	22100-81130	*SCREW	1
3	22128-81140	*GASKETPUMPCOVER	1
4	22128-81150	*DIAPHRAGMPUMP	1
7	22100-81230	*LEVER	1
8	22100-81240	*SCREW	1
9	22100-81250	*PIN	1
10	22100-81260	*DIAPHRAGMASSY	1
11	74342-81270	*SPRINGLEVER	1
12	22100-81280	*COVERDIAPHRAGM	1
13	22100-81290	*GASKETDIAPHRAGM	1
17	22100-81351	*SCREW	4
21	70030-81380	*SCREEN	1
24	72320-81420	*RETURNSPRING	1
25	20036-81440	*NEEDLEVALVE	1
26	72320-81410	*IDELSCREW	1
27	22156-81420	*SPRINGIDLE	1
	22128-81920	GASKETKIT	1
3	22128-81140	*GASKETPUMPCOVER	1
13	22100-81290	*GASKETDIAPHRAGM	1
	22128-81910	DIAPHRAGMKIT	1
4	22128-81150	*DIAPHRAGMPUMP	1
10	22100-81260	*DIAPHRAGMASSY	1



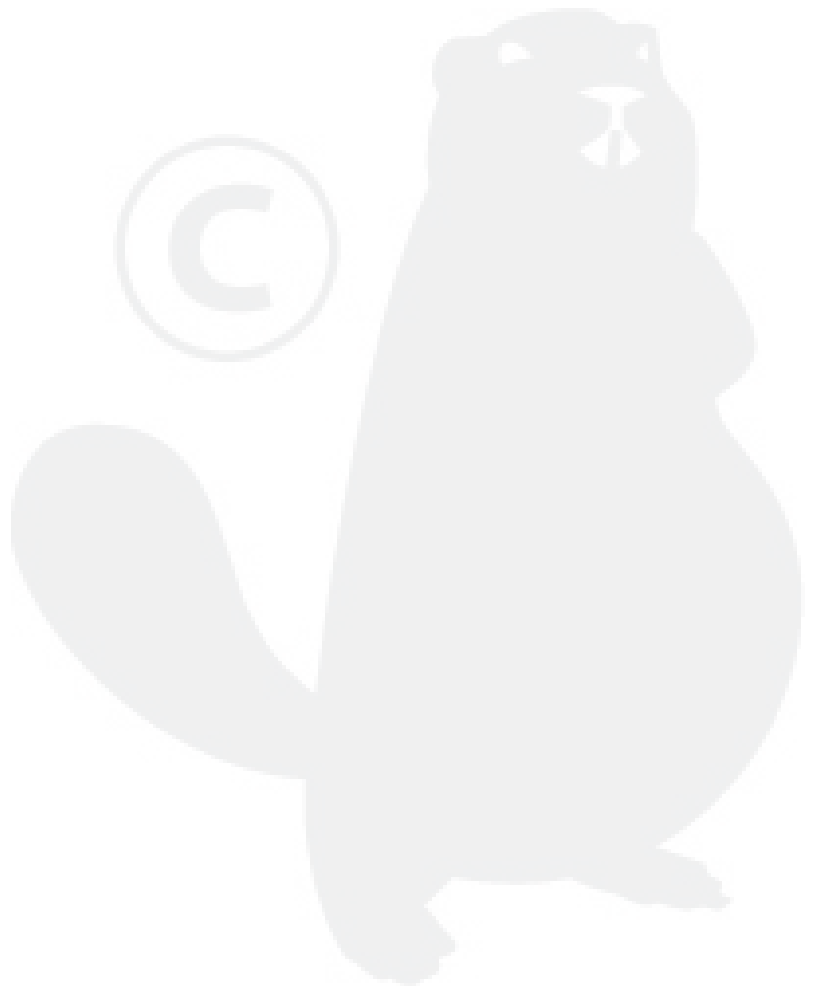


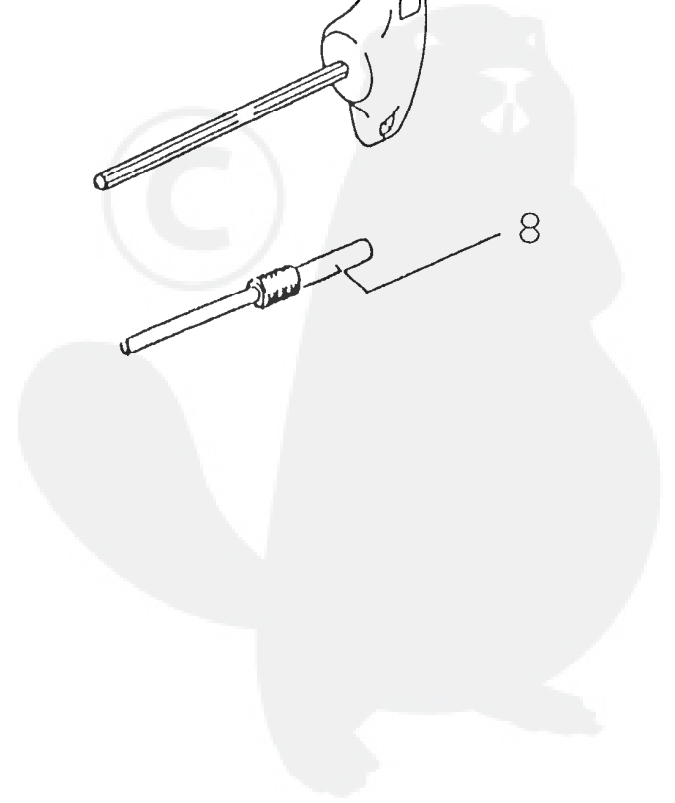
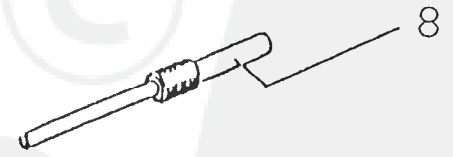
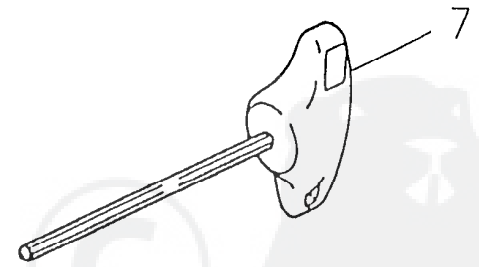
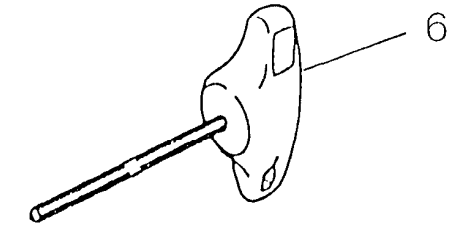
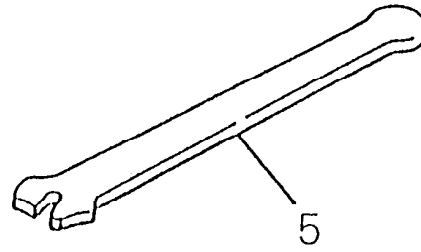
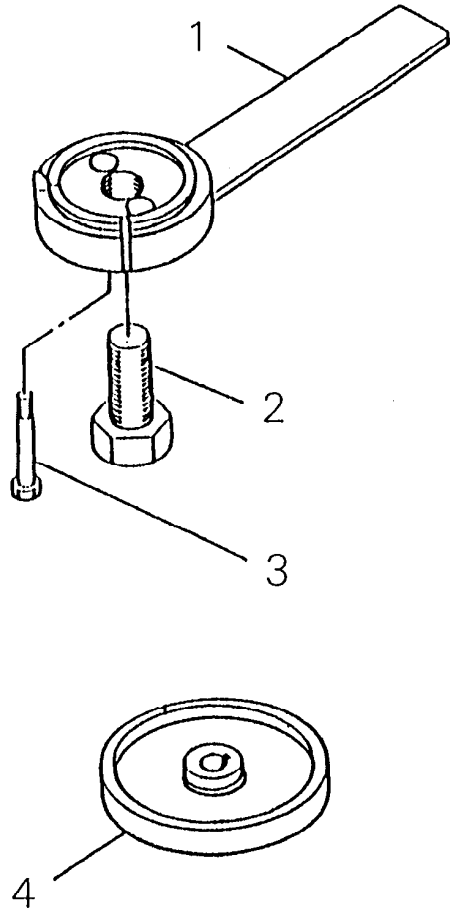
10-1	22100-82110	WASHERCARBURETOR	2
2	72320-82120	CHOKEPLATE	1
3	72320-82130	BRACKETCARBURETOR	1
4	01020-05500	BOLT	2
5	72320-82141	CHOKEROD	1
6	72320-82151	GROMMETCHOKE	1
7	72320-82210	THROTTLEROD	1
8	72320-82220	FILTER	1
9	72320-83102	REEDVALVECOMP	1
10	72320-83192	GASKETVALVE	1
11	72320-83222	GASKETCARBUREOR	1
12	72320-83230	GROMMETVALVE	1
13	11022-04200	BOLTSPW	4
14	20011-12260	NUT	2
15	72320-82310	AIRCLEANER	1
16	72320-82410	CLEANERCOVER	1
17	72320-82420	KNOBBOLT	1
18	22100-82430	ORING	1





11-	72320-91000	TOOLSET	1
1	19639-01100	*POLYBAG	1
2	22150-91160	*DRIVER	1
3	72320-91410	*PLUGWRENCH	1
4	09026-03001	*HEXAWRENCH	1
5	09026-04001	*HEXAWRENCH	1





12-	22104-96100	PULLERASSY	1
1	22104-96110	*PULLER	1
2	22100-96121	*CENTERBOLT	1
3	22102-96130	*BOLT	1
4	22106-96210	SETGAUGE	1
5	22108-96410	STOPPER	1
6	22155-96521	TWRENCH4	1
7	22155-96531	TWRENCH5	1
8	22102-96530	SETPIN	1

