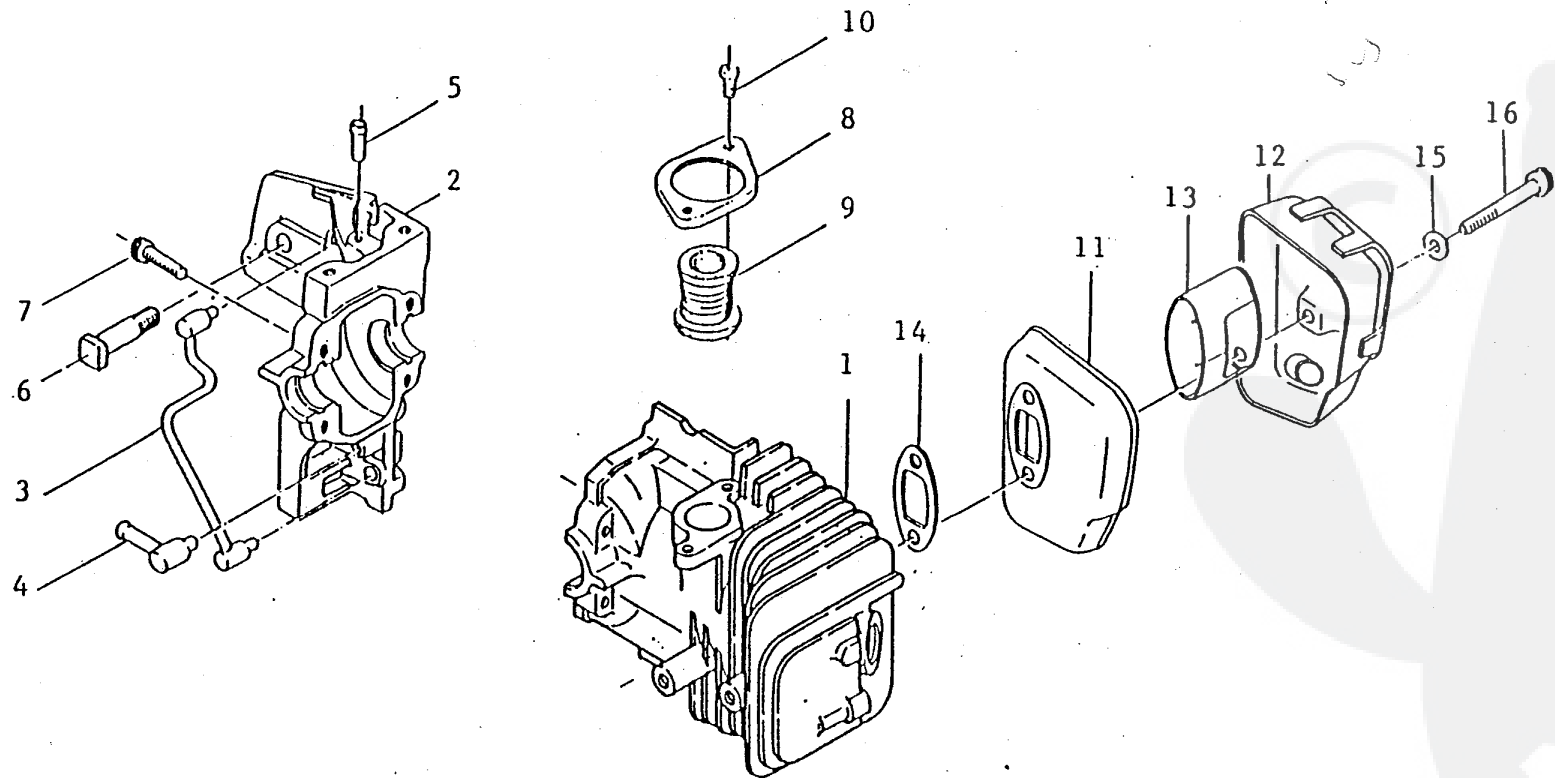


Re: Cylinder , Crankcase & Muffler

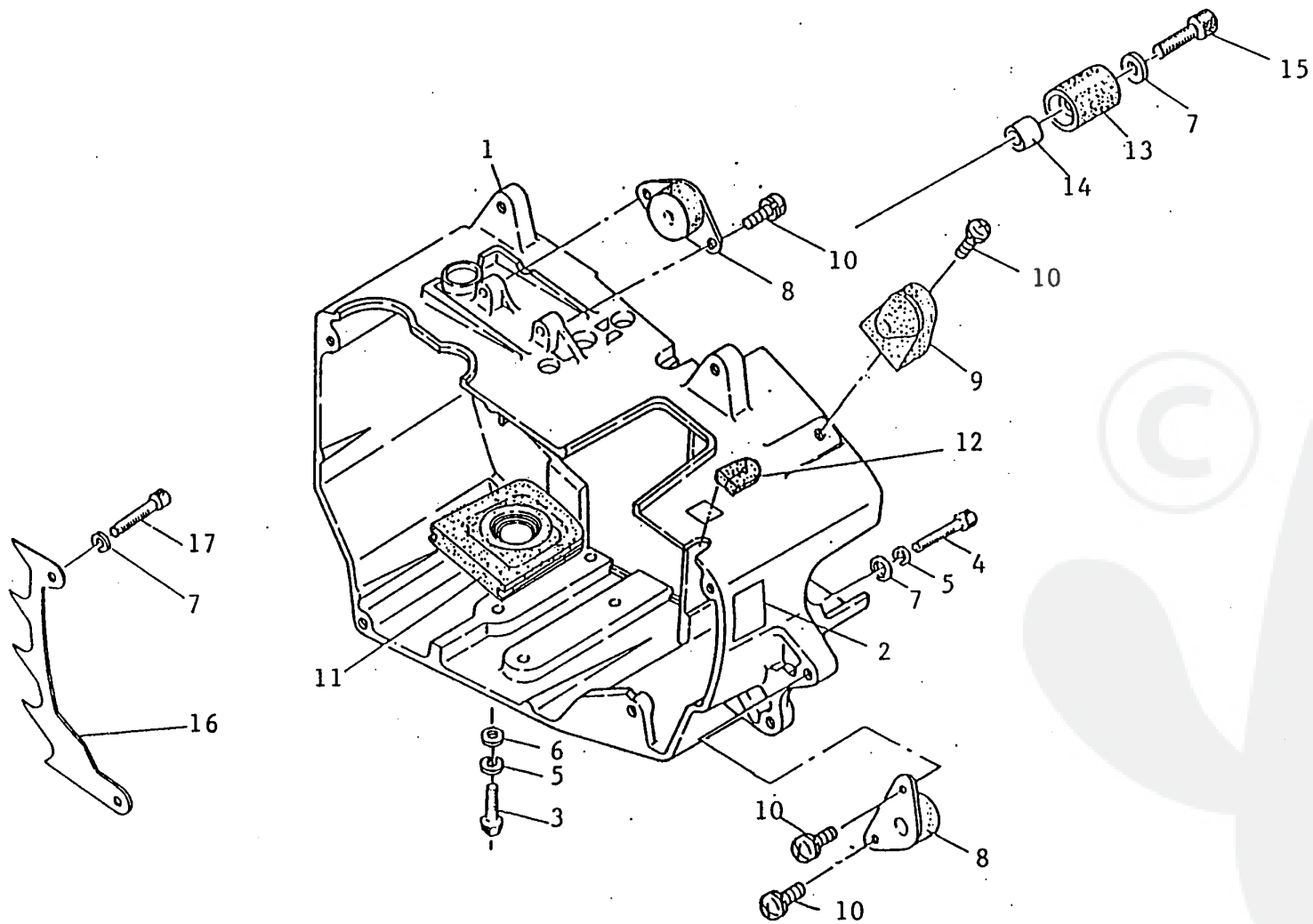


**CYLINDER**

Ref No.		Part Name	Part No.	Qty
				1
1-1		Cylinder	22106-12110	1
		Crankcase Assy	22106-12200	1
1-2	*	Crankcase	22106-12210	1
1-3	*	Oil Pipe, crankcase	22106-12230	1
1-4	*	Elbon, crankcase	22102-12240	1
1-5	*	Pulse Joint	22102-12250	1
1-6	*	Bolt, bar	22120-12260	2
1-7		Bolt	01020-05180	4
1-8		Bracket, boot	22128-14120	1
1-9		Boot	22102-14130	1
1-10		Screw	11205-04140	2
		Meffler Assy	22104-15000	1
1-11	*	Base, muffler	22104-15110	1
1-12	*	Cover, muffler	22104-15120	1
1-13	*	Pipe, muffler	22120-15130	1
1-14	*	Gasket, muffler	22100-15210	1
1-15	*	Washer	22100-31210	2
1-16	*	Bolt	01020-05450	2

Re: Engine cover

- 3 -

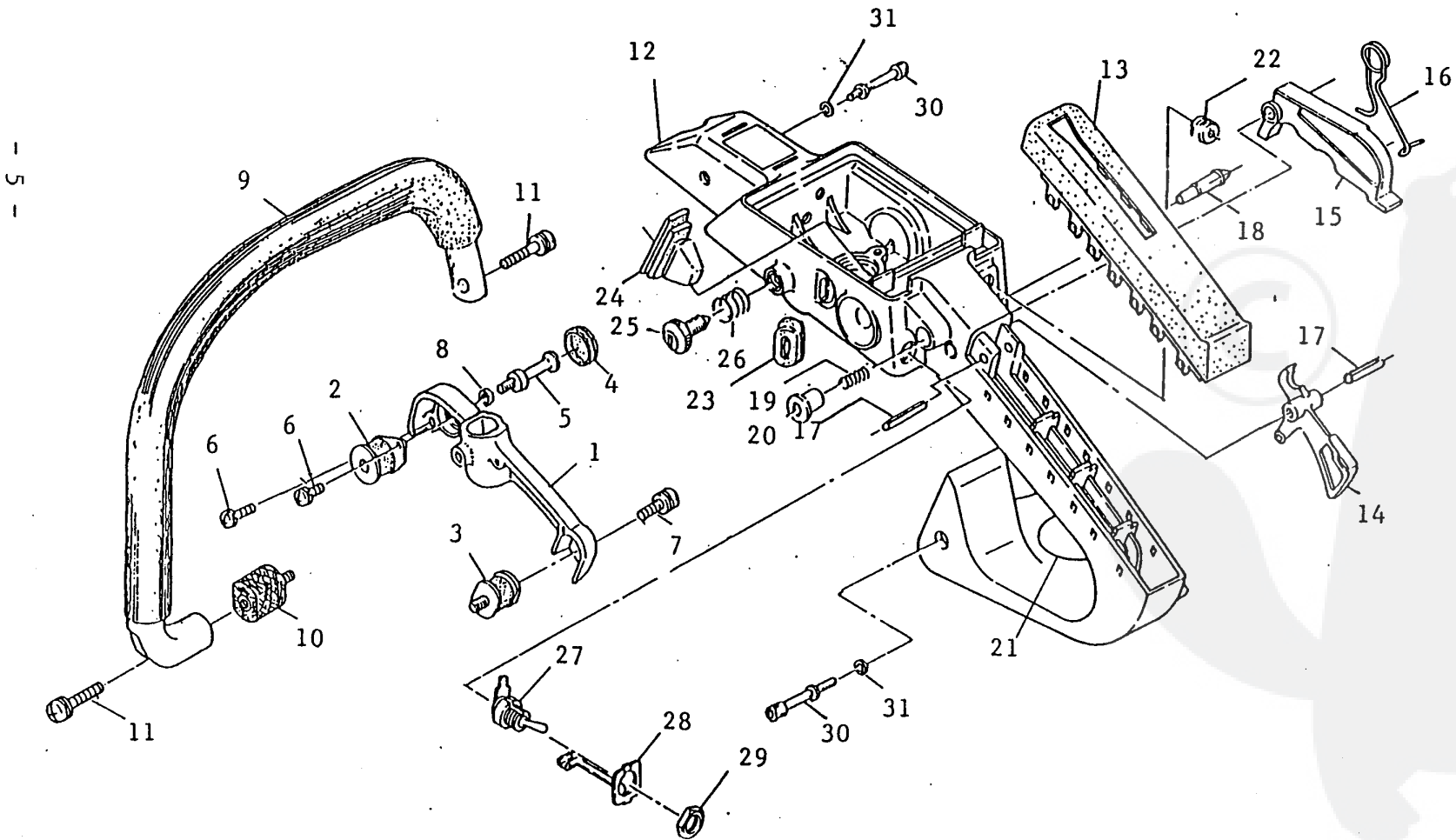


<<BLG-340.000920>>

2. ENGINE COVER

Ref No	Part Name	Part No	Q'ty
2- 1	ENGINE COVER	72142-31110	1
2- 2	NUMBER PLATE	72142-31150	1
2- 3	BOLT	01020-05180	4
2- 4	BOLT	01020-05250	1
2- 5	SPRING WASHER	01600-05131	7
2- 6	WASHER	01610-05080	4
2- 7	WASHER	22100-31210	2
2- 8	MOUNT	22100-31310	2
2- 9	SIDE CUSHION	22100-31410	2
2-10	SCREW	11204-05120	6
2-11	SEAL	22100-31510	1
2-12	GROMMET	22100-31531	1
2-13	CHAIN CATCHER	22122-53410	1
2-14	BUSHING	22122-53420	1
2-15	SCREW	11206-05250	1
2-16	SPIKE	22135-57610	1
2-17	BOLT	01020-05120	2

Re: Handle



<<BLG 340.000000>>

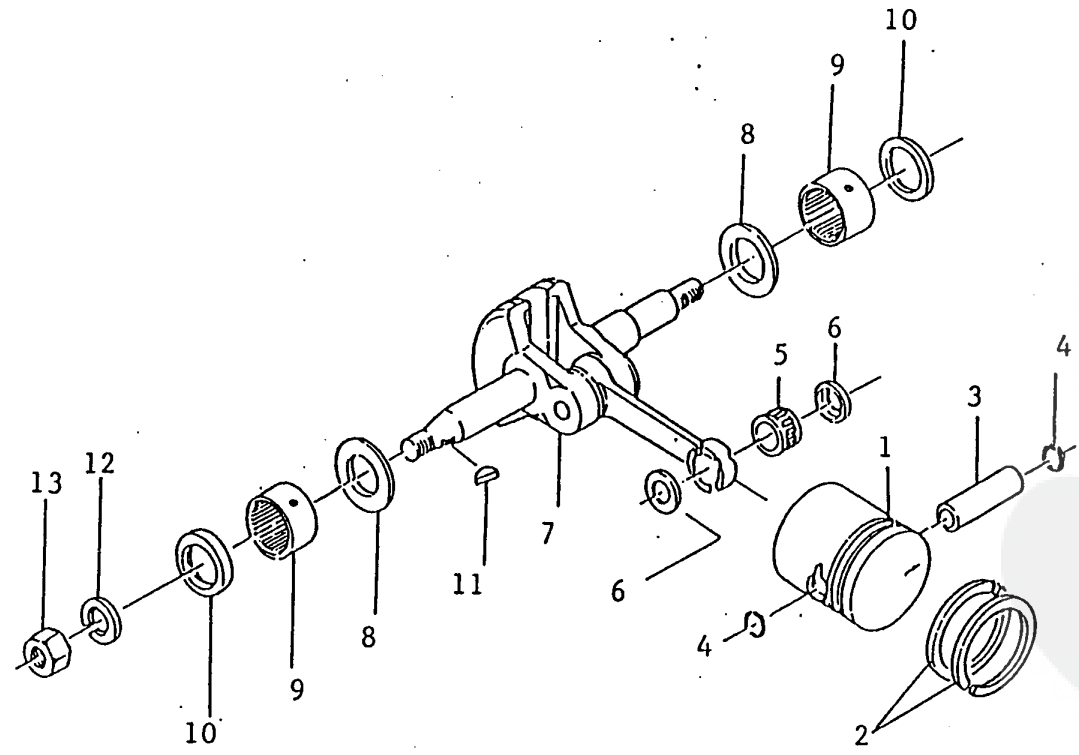
3. HANDLE

Ref No		Part Name	Part No	Q'ty
		BRACKET ASSY	22106-32100	1
3- 1	*	BRACKET	22104-32110	1
3- 2	*	CUSHION-22	22104-32120	1
3- 3	*	CUSHION-19A	22102-32130	1
3- 4	*	PLUG, bracket	22102-32140	1
3- 5	*	BOLT, bracket	22102-32181	1
3- 6	*	SCREW	11204-04100	2
3- 7	*	SCREW	11206-05120	1
3- 8	*	SPRING WASHER	01600-05131	1
3- 9		FRONT HANDLE	22104-32150	1
3-10		CUSHION-22B	22135-32160	1
3-11		SCREW	11206-05250	2
		REAR HANDLE ASSY	72180-33000	1
	*	REAR HANDLE SUB ASSY	72180-33100	1
3-12	**	REAR HANDLE	22106-33110	1
3-13	**	GRIP, handle	22106-33120	1
3-14	**	THROTTLE LEVER	22104-33130	1
3-15	**	LOCK LEVER	22104-33140	1
3-16	**	SPRING, lever	22106-33150	1
3-17	**	SPRING PIN	22100-33160	2
3-18	**	STOPPER	22100-33171	1
3-19	**	SPRING	22100-33180	1
3-20	**	KNOB, stopper	22100-33190	1
3-21	**	CAUTION PLATE-B	72139-33210	1
3-22	*	GROMMET-A	22100-33310	2

Ref No		Part Name	Part No	Q'ty
3-23	*	GROMMET, carburetor	22100-33320	1
3-24	*	GROMMET, rod	22100-33331	1
3-25	*	ADJUST SCREW	22122-33410	1
3-26	*	SPRING, adjust	22122-33420	1
	*	SWITCH ASSY	22106-33500	1
3-27	**	SWITCH	22100-33510	1
3-28	**	EARTH PLATE	22106-33520	1
3-29	**	NUT	22100-33531	1
3-30		BOLT	22100-33810	2
3-31		SPRING WASHER	01600-05131	2

Re: Piston , Crank shaft

1  
8  
1



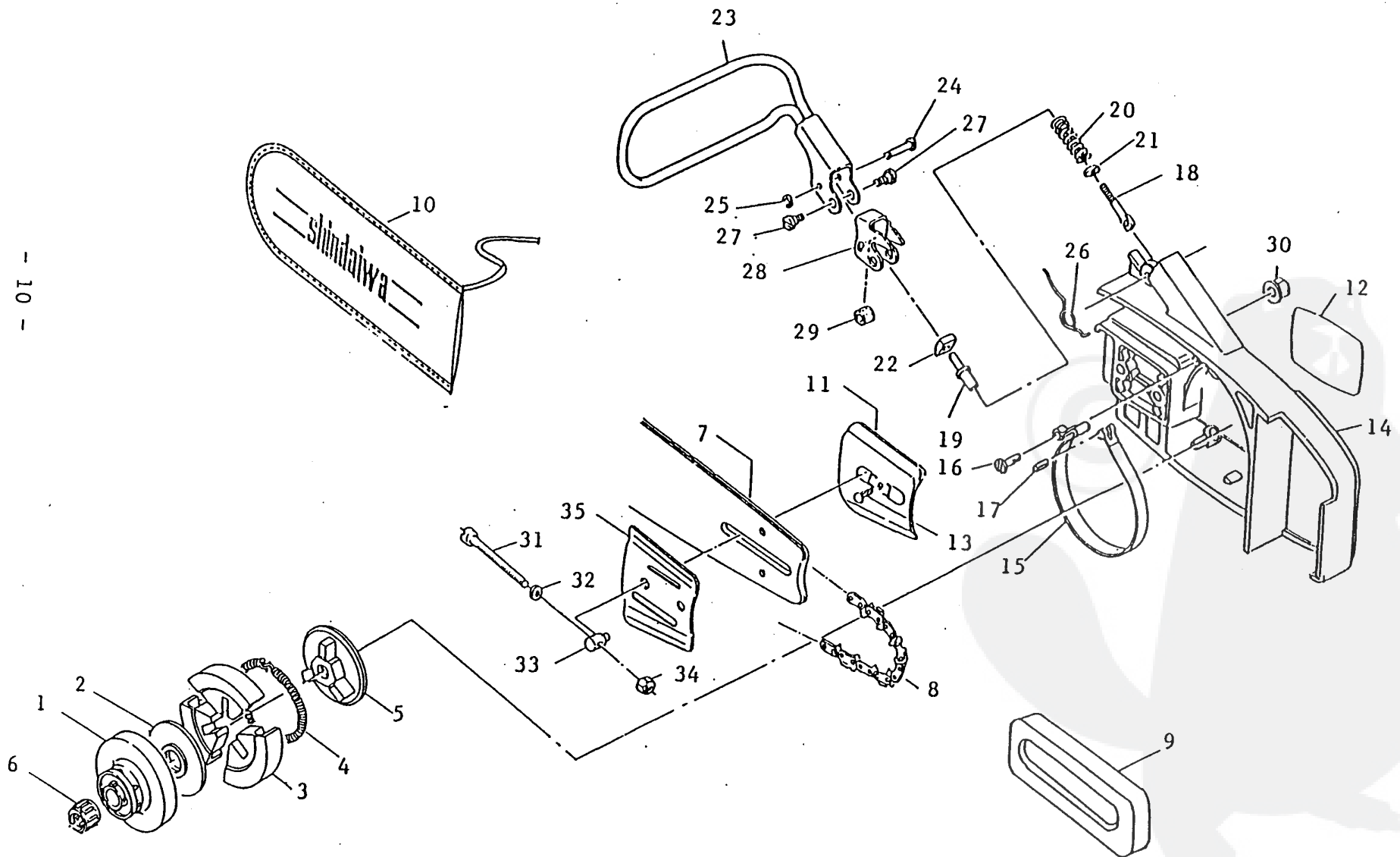


<<DLG-040.000010>>

4. PISTON  
CRANKSHAFT

Ref No	Part Name	Part No	Qty
4- 1	PISTON	22100-41110	1
4- 2	PISTON RING	20010-41210	2
4- 3	PISTON PIN	22100-41220	1
4- 4	SNAP RING	22100-41230	2
4- 5	NEEDLE BEARING-SE	20010-41330	1
4- 6	THRUST WASHER	22104-41340	2
4- 7	CRANKSHAFT ASSY	22128-42001	1
4- 8	THRUST WASHER	22106-43110	2
4- 9	NEEDLE BEARING-M	22100-43160	2
4-10	OIL SEAL	22100-43170	2
4-11	WOODRUFF KEY	22100-43210	1
4-12	SPRING WASHER	01600-08201	1
4-13	NUT	22100-43231	1

Re: Clutch , Cutting equipment



<<325-340.000050>>

5. CLUTCH  
CUTTING EQUIPMENT

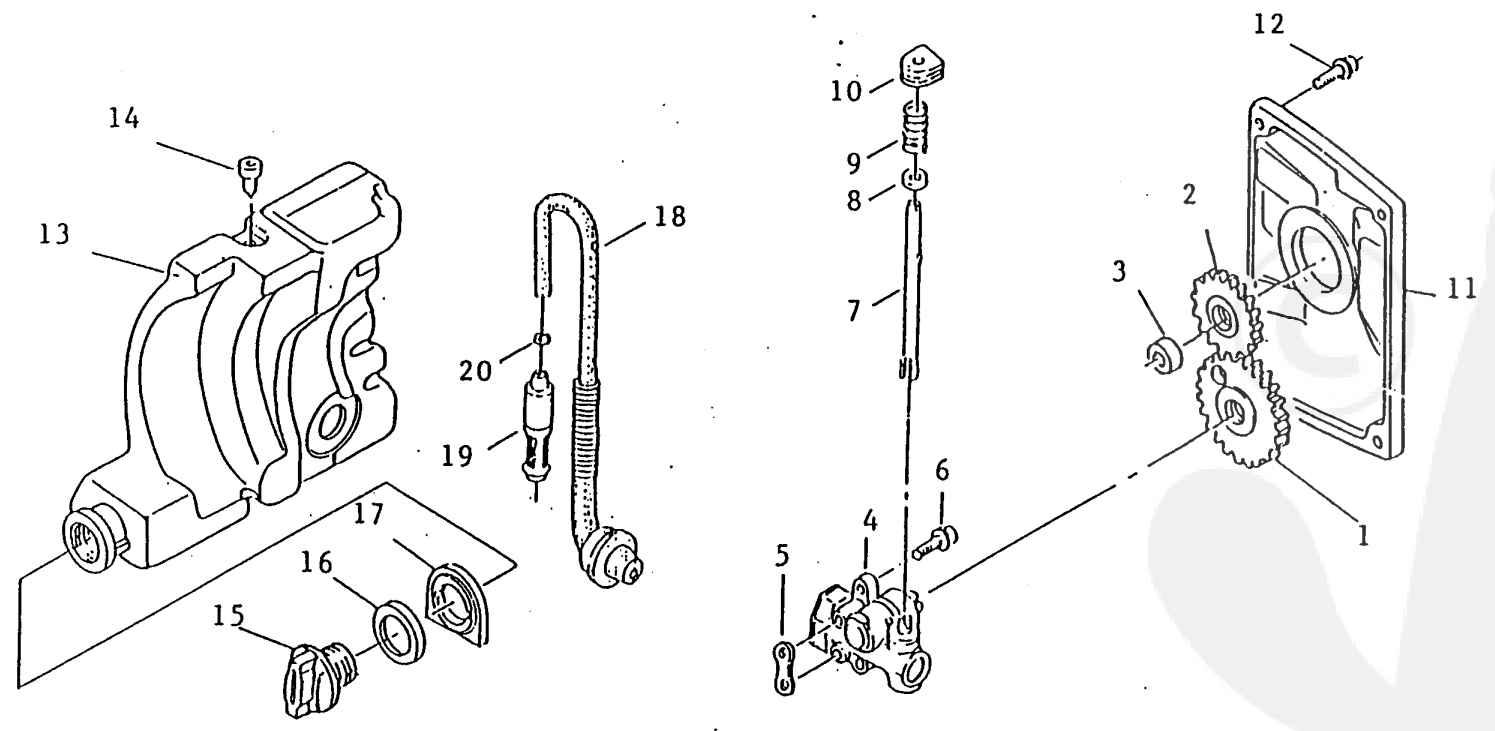
Ref No	Part Name	Part No	Qty
5- 1	CLUTCH DRUM	22103-97211	1
	CLUTCH ASSY	22104-51200	1
5- 2 *	CLUTCH BOSS-A	22102-51210	1
5- 3 *	CLUTCH SHOE	22100-51220	3
5- 4 *	CLUTCH SPRING	22102-51230	1
5- 5 *	CLUTCH BOSS-B	22104-51240	1
5- 6	NEEDLE BEARING	22102-51310	1
5- 7	GUIDE BAR	72156-52110	1
5- 8	SAW CHAIN	18041-00530	1
5- 9	SPACER	22128-52230	1
5-10	PROTECTOR	22106-52310	1
	BRAKE ASSY	72139-54002	1
	* CLUTCH COVER SUB ASSY	72139-54100	1
5-11 **	GUIDE PLATE-B	22104-53120	1
5-12 **	NAME PLATE-A	72139-53130	1
5-13 **	PARKER RIVET	17100-25640	1
5-14 **	CLUTCH COVER	22131-54110	1
5-15 *	BRAKE BAND	22120-54210	1
5-16 *	BOLT, band	22120-54220	1
5-17 *	SPRING PIN	22120-54230	1
5-18 *	ADJUST ROD	72152-54310	1
5-19 *	ADJUST SCREW	72152-54320	1
5-20 *	BRAKE SPRING	22120-54330	1
5-21 *	WASHER	22120-54340	1
5-22 *	BLOCK	22120-54410	1

22115-51110.  
PIGNOON 3/8"

Ref No	Part Name	Part No	Qty
5-23 *	LEVER	22135-54510	1
5-24 *	STOPPER PIN	22135-54520	1
5-25 *	E-RING	22120-54530	1
5-26 *	RELIEF SPRING	22135-54540	1
5-27 *	BOLT, lever	22135-54550	2
5-28 *	LEVER-C	72171-54560	1
5-29 *	CUSHION	22135-54570	1
5-30 *	NUT	22120-53210	2
5-31 *	SLIDE SCREW	22100-53310	1
5-32 *	WASHER	01610-05080	1
5-33 *	SLIDE PIECE	22100-53320	1
5-34 *	LOCK NUT	22100-53330	1
5-35 *	GUIDE PLATE-A	22100-53340	1

Re: Oil pump

- 13 -

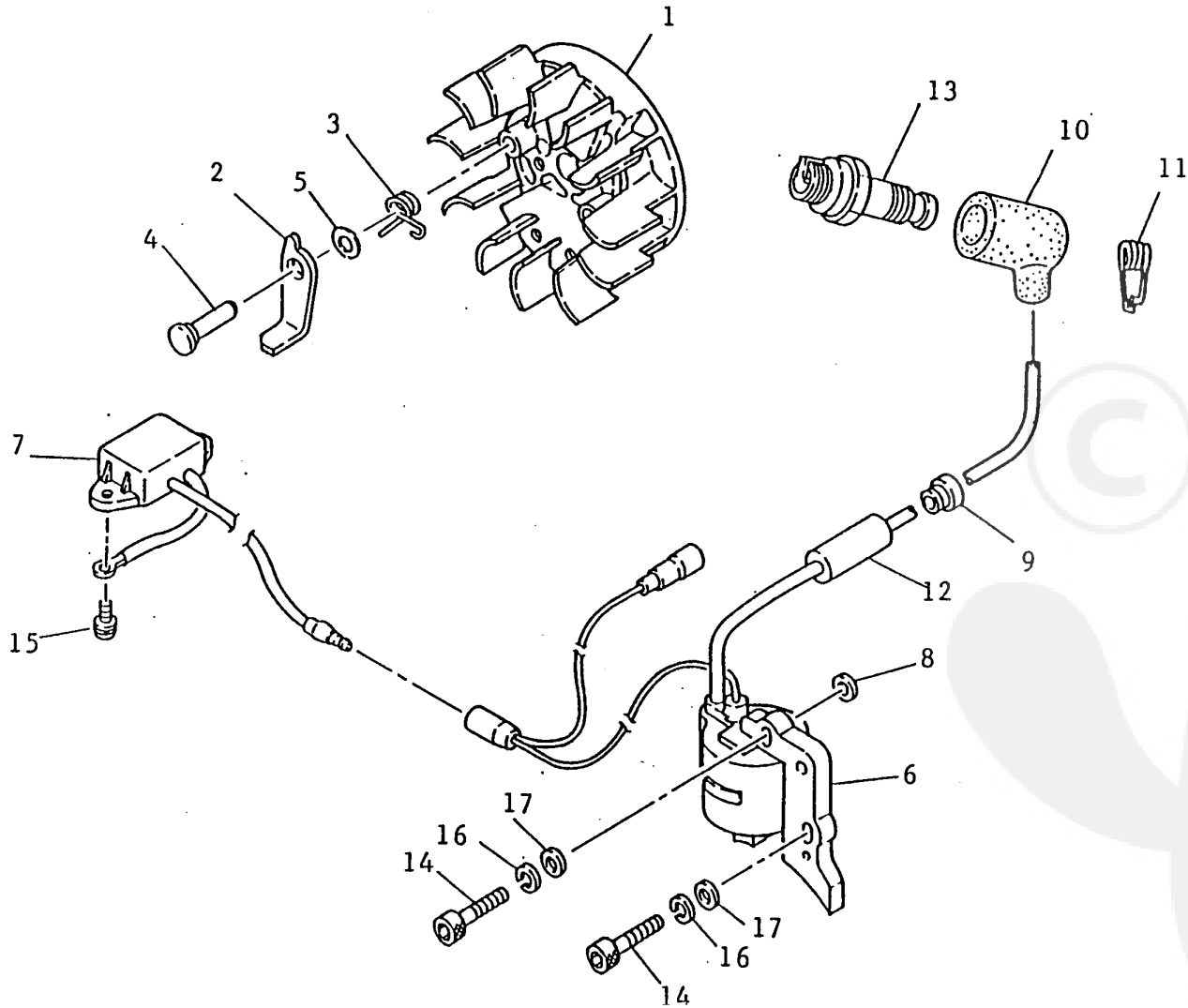


<<BLG-340.000060>>

6 . O I L P U M P

Ref No	Part Name	Part No	Q'ty
6- 1	GEAR	22128-55120	1
6- 2	PINION	22102-55130	1
6- 3	COLLAR	22102-55141	1
6- 4	OIL PUMP ASSY	22136-55200	1
6- 5	GASKET, oil pump	22100-55310	1
6- 6	SCREW	11206-04140	2
6- 7	SHAFT, oil pump	22100-55610	1
6- 8	WASHER	01610-04050	1
6- 9	SPRING	22100-55640	1
6-10	GROMMET, oil pump	22100-55650	1
6-11	PUMP COVER	22104-56110	1
6-12	SCREW	11205-04140	5
	OIL TANK ASSY	22104-57001	1
6-13 *	OIL TANK	22104-57111	1
6-14 *	VALVE, oil tank	22100-57120	1
	* OIL CAP ASSY	22122-57200	1
6-15 **	OIL CAP	22128-57210	1
6-16 **	GASKET, oil cap	22100-57230	1
6-17 *	TANK SUPPORT, oil	22122-57240	1
	* OIL PIPE ASSY	22122-57301	1
6-18 **	OIL PIPE	22122-57311	1
6-19 **	OIL FILTER	22100-57360	1
6-20 **	CLIP, oil filter	22100-57370	1

Re: Magneto



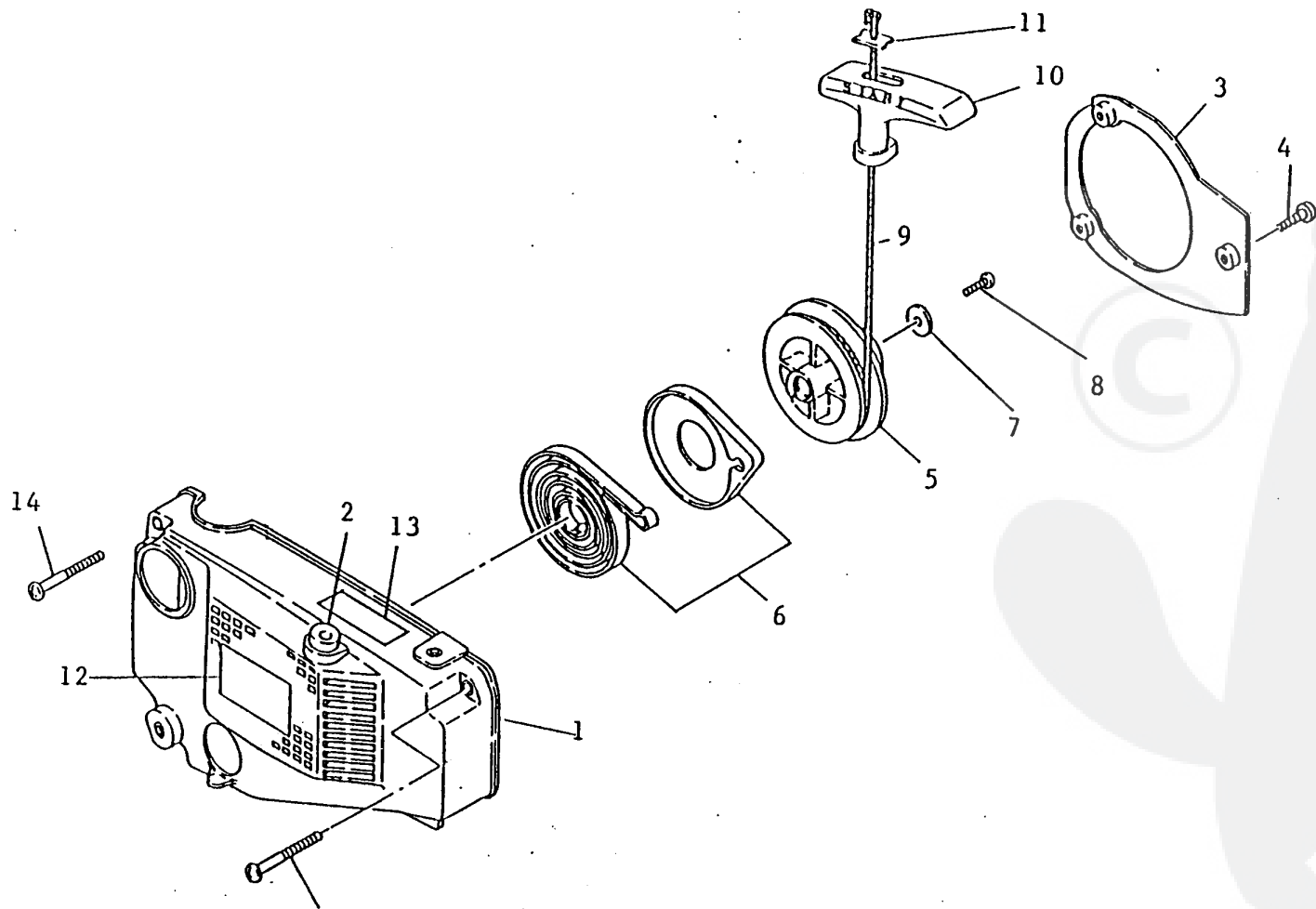
<BLG-348.000070>>

7. MAGNETO

Ref No	Part Name	Part No	Q'ty
	ROTOR ASSY	22106-71101	1
7- 1 *	ROTOR	22106-71201	1
7- 2 *	RATCHET	22106-71410	2
7- 3 *	SPRING, ratchet	22106-71421	2
7- 4 *	PIN, ratchet	22106-71441	2
7- 5 *	WASHER	22100-71430	2
7- 6	COIL ASSY	22106-71600	1
7- 7	UNIT	22106-71700	1
7- 8	INSULATOR	22106-71810	2
7- 9	GROMMET	22104-72210	1
7-10	PLUG CAP	20010-72221	1
7-11	SPRING, spark plug	20000-72230	1
7-12	PIPE	22106-72240	1
7-13	SPARK PLUG	22100-73111	1
7-14	BOLT	01020-05250	2
7-15	SCREW	11206-04100	2
7-16	SPRING WASHER	01600-05131	2
7-17	WASHER	01610-05080	2



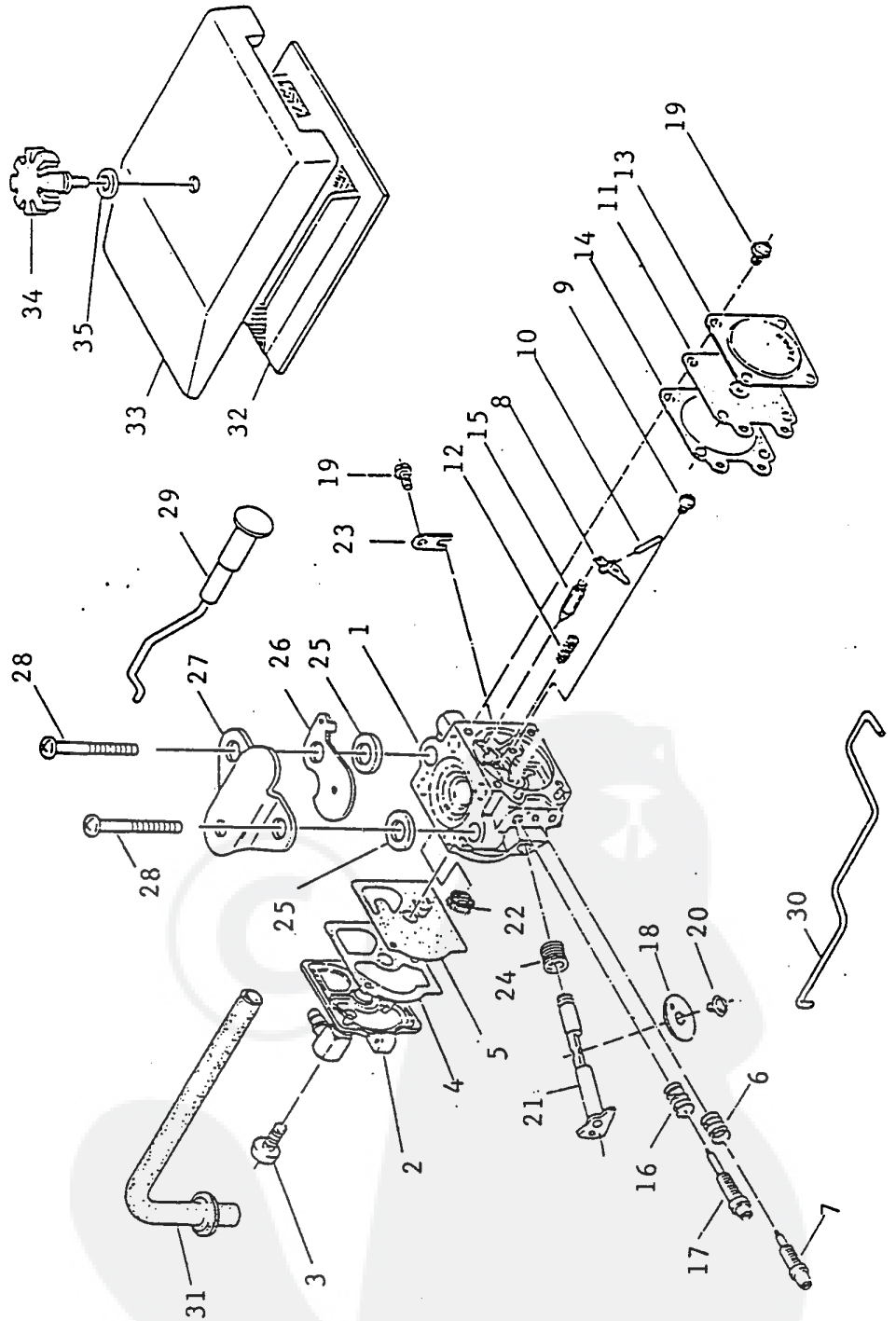
Re: Recoil starter



8 . R E C O I L   S T A R T E R

Ref No	Part Name	Part No	Q'ty
	RECOIL STARTER ASSY	72180-75000	1
*	RECOIL STARTER SUB ASSY	22106-75100	1
8- 1 **	RECOIL CASE	22106-75110	1
8- 2 **	GUIDE	22106-75130	1
8- 3 *	AIR PLATE	22106-75150	1
8- 4 *	SCREW HI-LO	22106-75160	3
8- 5 *	REEL	22106-75210	1
8- 6 *	RECOIL SPRING	22106-75310	1
8- 7 *	WASHER	22104-75350	1
8- 8 *	SCREW	11205-04100	1
8- 9 *	ROPE	22104-75410	1
8-10 *	KNOB, recoil	22104-75420	1
8-11 *	STOPPER, knob	22104-75430	1
8-12 *	NAME PLATE-B	72142-76120	1
8-13	CAUTION PLATE-A	72156-75170	1
8-14	SCREW	11206-04350	2
8-15	SCREW	11206-04200	2

Re: Carburetor



<<BLG-340.000090>>

9. CARBURETOR

Ref No	Part Name	Part No	Q'ty
	CARBURETOR ASSY	22104-81000	1
9- 1 *	BODY ASSY	22104-81110	1
9- 2 *	PUMP COVER ASSY	22128-81120	1
9- 3 *	SCREW	22100-81130	1
9- 4 *	GASKET, pump cover	22128-81140	1
9- 5 *	DIAPHRAGM, pump	22128-81150	1
9- 6 *	SPRING, L-needle	22100-81160	1
9- 7 *	L-NEEDLE	22104-81170	1
9- 8 *	LEVER	22100-81230	1
9- 9 *	SCREW	22100-81240	1
9-10 *	PIN	22100-81250	1
9-11 *	DIAPHRAGM ASSY	22100-81260	1
9-12 *	SPRING, lever	22104-81270	1
9-13 *	COVER, diaphragm	22100-81280	1
9-14 *	GASKET, diaphragm	22100-81290	1
9-15 *	NEEDLE VALVE	22100-81310	1
9-16 *	SPRING, H-needle	22100-81320	1
9-17 *	H-NEEDLE	22104-81330	1
9-18 *	THROTTLE VALVE	22104-81340	1
9-19 *	SCREW ASSY	22100-81351	5
9-20 *	SCREW	22100-81360	1
9-21 *	SHAFT ASSY	22100-81370	1
9-22 *	SCREEN	22128-81380	1
9-23 *	CLIP, shaft	22100-81390	1
9-24 *	SPRING, shaft	22100-81410	1

<<816-340.000001>>

Ref No	Part Name	Part No	Q'ty
9-25	WASHER, carburetor	22100-82110	2
9-26	CHOKE PLATE	22120-82120	1
9-27	BRACKET, carburetor	22100-82130	1
9-28	SCREW	11204-05400	2
9-29	CHOKE ROD	22102-82140	1
9-30	THROTTLE ROD	22100-82212	1
9-31	PULSE PIPE	22104-82220	1
9-32	AIR CLEANER	22102-82310	1
	CLEANER COVER SUB ASSY	22100-82400	1
9-33 *	CLEANER COVER	22100-82410	1
9-34 *	KNOB, cleaner cover	22100-82420	1
9-35 *	O-RING	22100-82430	1
	DIAPHRAGM KIT	22128-81910	1
9- 5 *	DIAPHRAGM, pump	22128-81150	1
9-11 *	DIAPHRAGM ASSY	22100-81260	1
	GASKET KIT	22128-81920	1
9- 4 *	GASKET, pump cover	22128-81140	1
9-14 *	GASKET, diaphragm	22100-81290	1

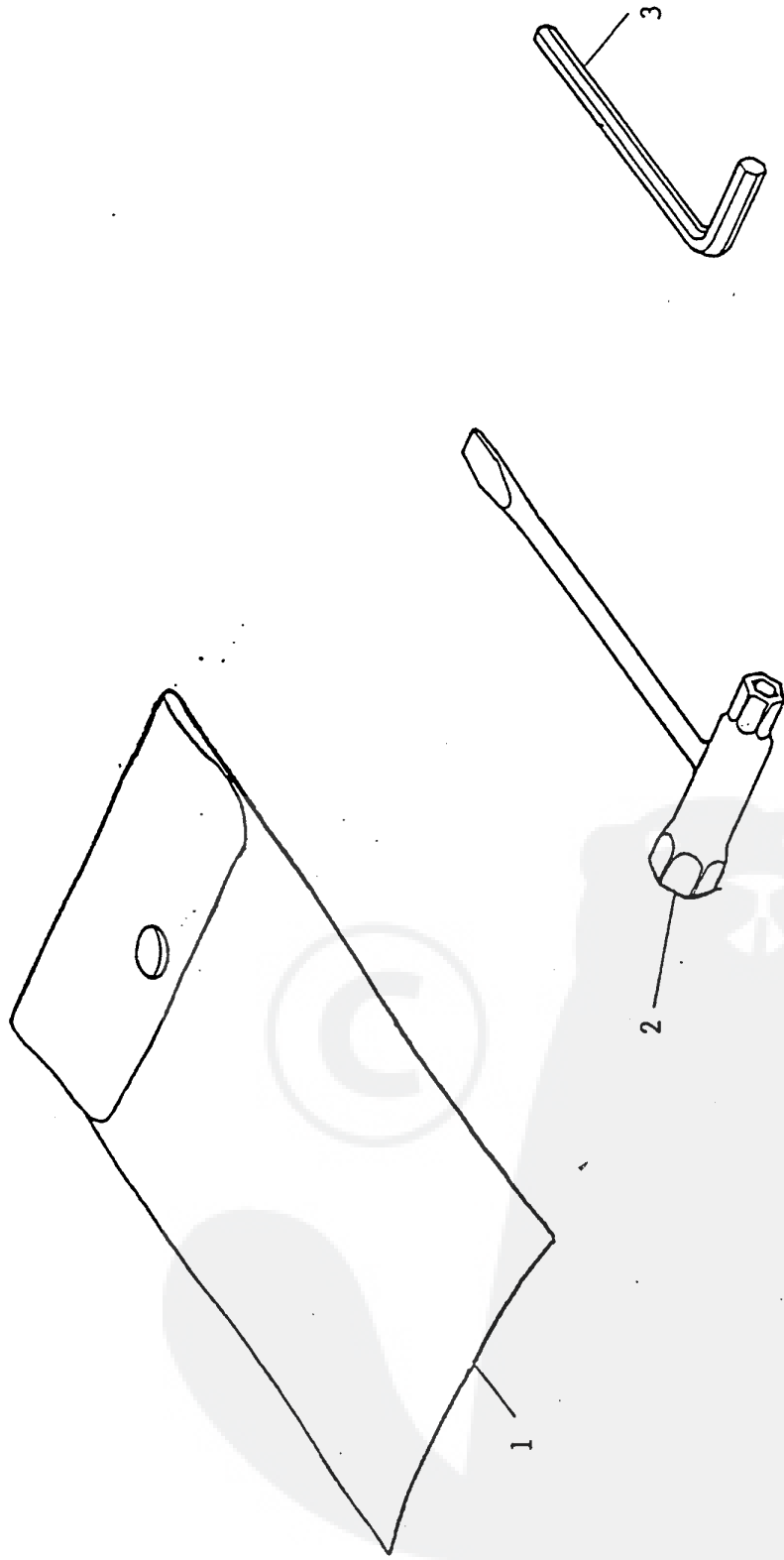


<<BLG-340.000100>>

10. FUEL TANK

Ref No		Part Name	Part No	Q'ty
		FUEL TANK ASSY	22104-85000	1
10-1	*	FUEL TANK	22104-85110	1
	*	FUEL CAP ASSY	22122-85200	1
10-2	**	FUEL CAP	22128-85210	1
10-3	**	GASKET, fuel cap	22100-85281	1
10-4	*	TANK SUPPORT, fuel	22122-85230	1
10-5	*	HOLDER, valve	22122-85240	1
10-6	*	CAP, breather	22122-85250	1
10-7	*	VALVE, fuel	22100-85260	1
10-8	*	RETAINER, breather	22122-85270	1
10-9	*	FUEL PIPE	22104-85310	1
10-10	*	JOINT, fuel pipe	22100-85320	1
	*	SUCTION PIPE ASSY	22122-85300	1
10-11	**	SUCTION PIPE	22122-85330	1
	**	FUEL FILTER SUB ASSY	22100-85401	1
10-12	***	WEIGHT, fuel	22100-85411	1
10-13	***	FILTER-A	22100-85420	1
10-14	***	FILTER-B	22100-85431	1
10-15	***	CLIP	22102-85440	1

Re: Tool set



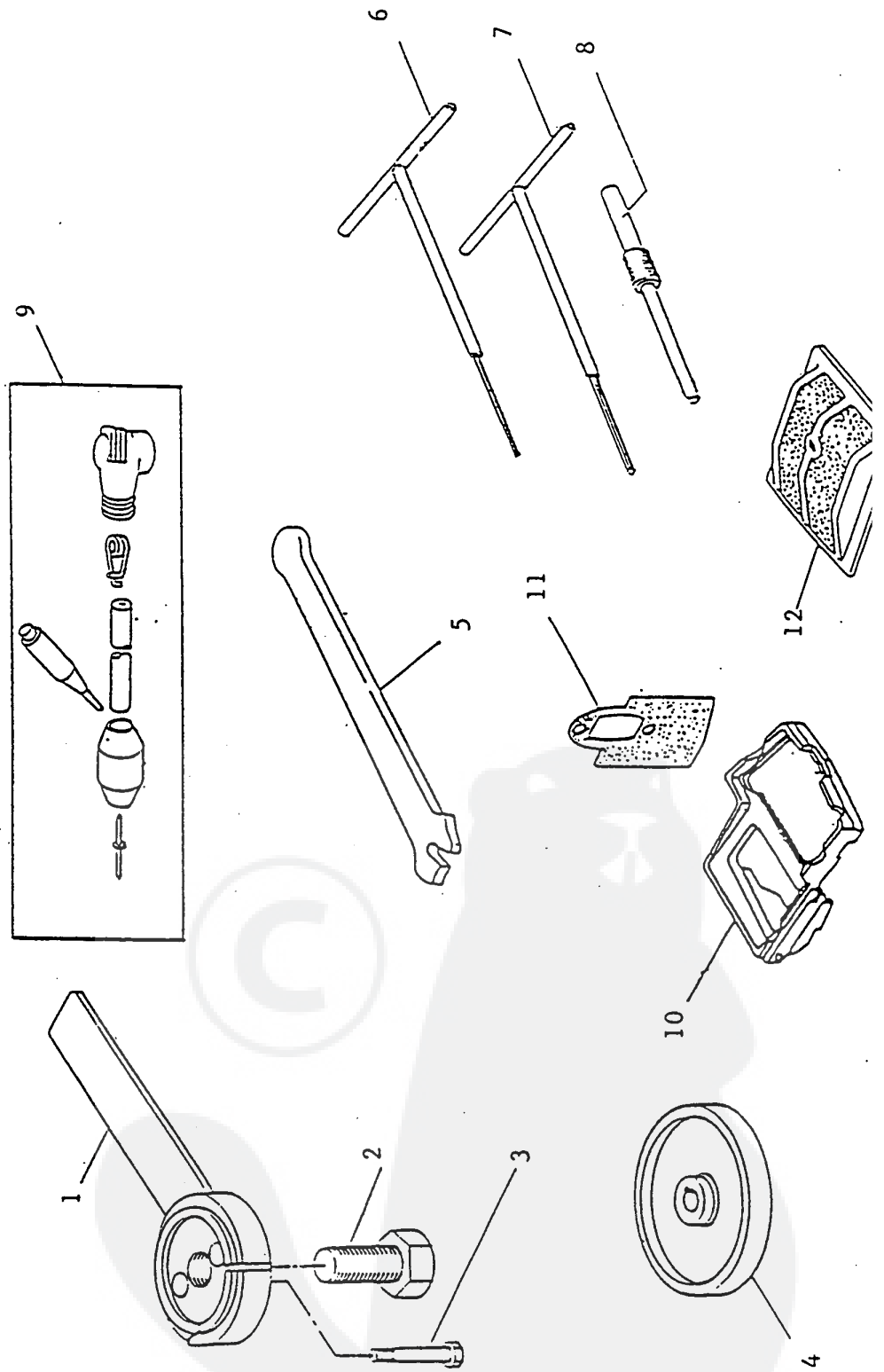


<RDLG-940.000113>>

11. TOOL SET

Ref No	Part Name	Part No	Q'ty
	TOOL SET	72142-91000	1
11- 1 *	TOOL BAG	72102-91110	1
11- 2 *	PLUG WRENCH	22102-91410	1
11- 3 *	WRENCH	22100-91501	1

Re: Option



<<BLG-349.000120>>

12. SPECIAL TOOL SET

Ref No		Part Name	Part No	Q'ty
		SPECIAL TOOL SET	22100-96000	1
	*	PULLER ASSY	22104-96100	1
12- 1	**	PULLER	22104-96110	1
12- 2	**	CENTER BOLT	22100-96121	1
12- 3	**	BOLT	22102-96130	2
12- 4	*	SET GAUGE	22106-96210	1
12- 5	*	STOPPER	22108-96410	1
12- 6	*	T-WRENCH-4	22102-96510	1
12- 7	*	T-WRENCH-5	22102-96520	1
12- 8	*	SET PIN	22102-96530	1
12- 9		REPAIR KIT	22104-97800	1
12-10		AIR DUCT	22102-97510	1
12-11		GASKET, muffler	22102-97540	1
12-12		AIR CLEANER-A	22102-97521	1