

shindaiwa[®]

PARTS CATALOG

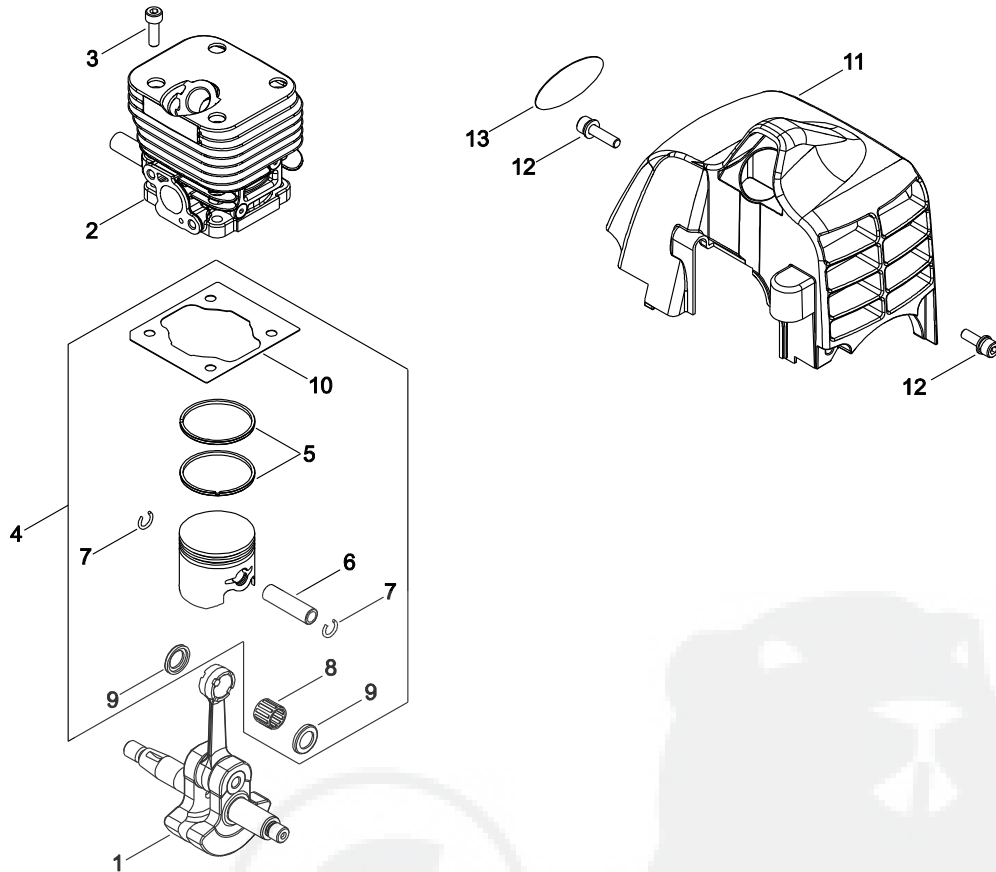
BRUSHCUTTER C310S/SF450(37)

37100101 -

CE

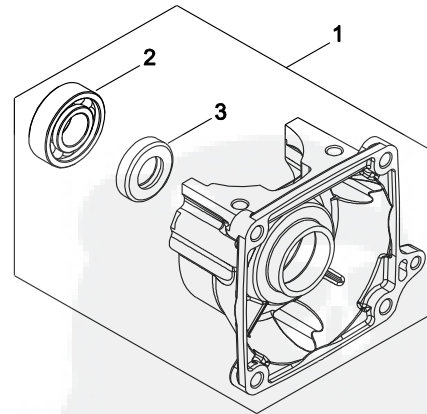
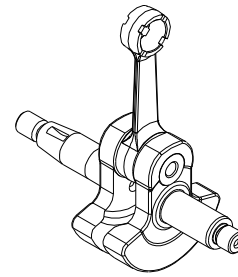
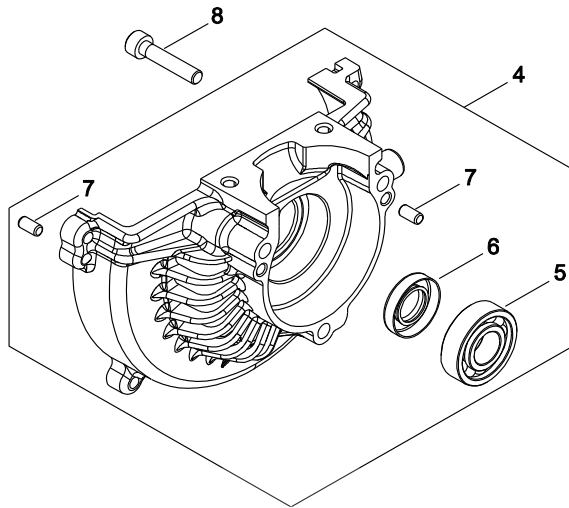
P016-001241-13M

1. CYLINDER, PISTON, CRANKSHAFT



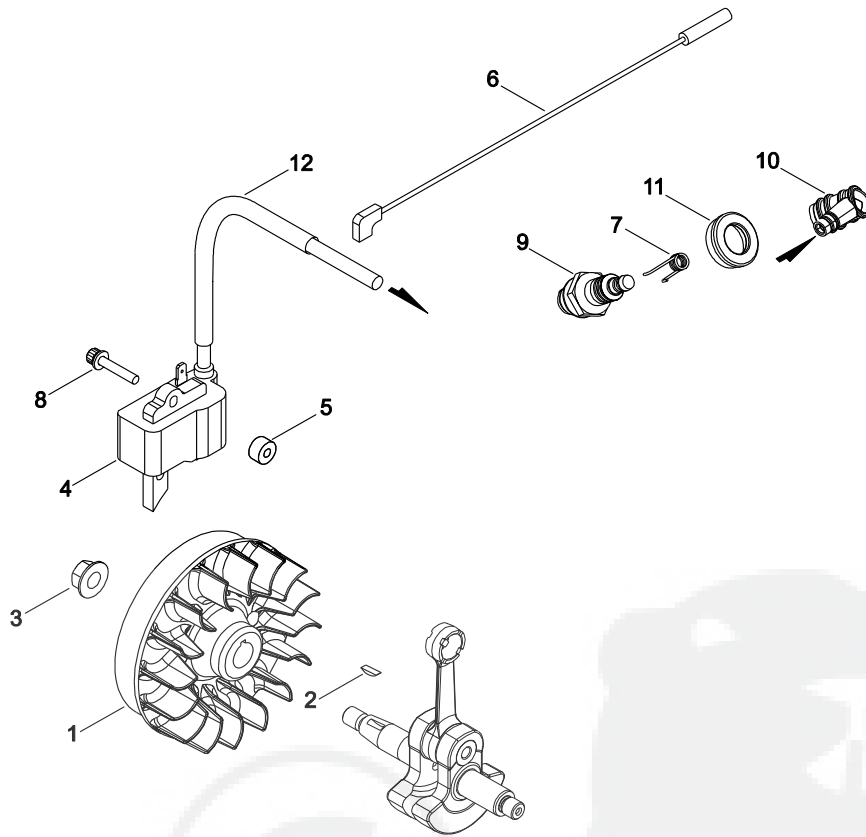
KEY	LV	PART NUMBER	Q'TY	DESCRIPTION	REMARKS	NOTE1	NOTE2
1		A011-000800	1	CRANKSHAFT			
2		A130-001280	1	CYLINDER COMP			
3		900105-05016	4	BOLT, H.S. 5*16	5*16		
4		P021-045970	1	PISTON,ASM			
5	+	A101-000340	2	PISTON RING			
6	+	V607-000020	1	PISTON PIN			
7	+	V580-000090	2	SNAP RING			
8	+	V554-000010	1	NEEDLE BEARING			
9	+	V392-000020	2	THRUST WASHER			
10	+	V100-000440	1	GASKET			
11		A160-001550	1	CYLINDER COVER			
12		V203-000760	3	BOLT ADHESIVE			
13		X504-007340	1	LABEL,BRAND	SHINDAIWA 310		

2. CRANKCASE



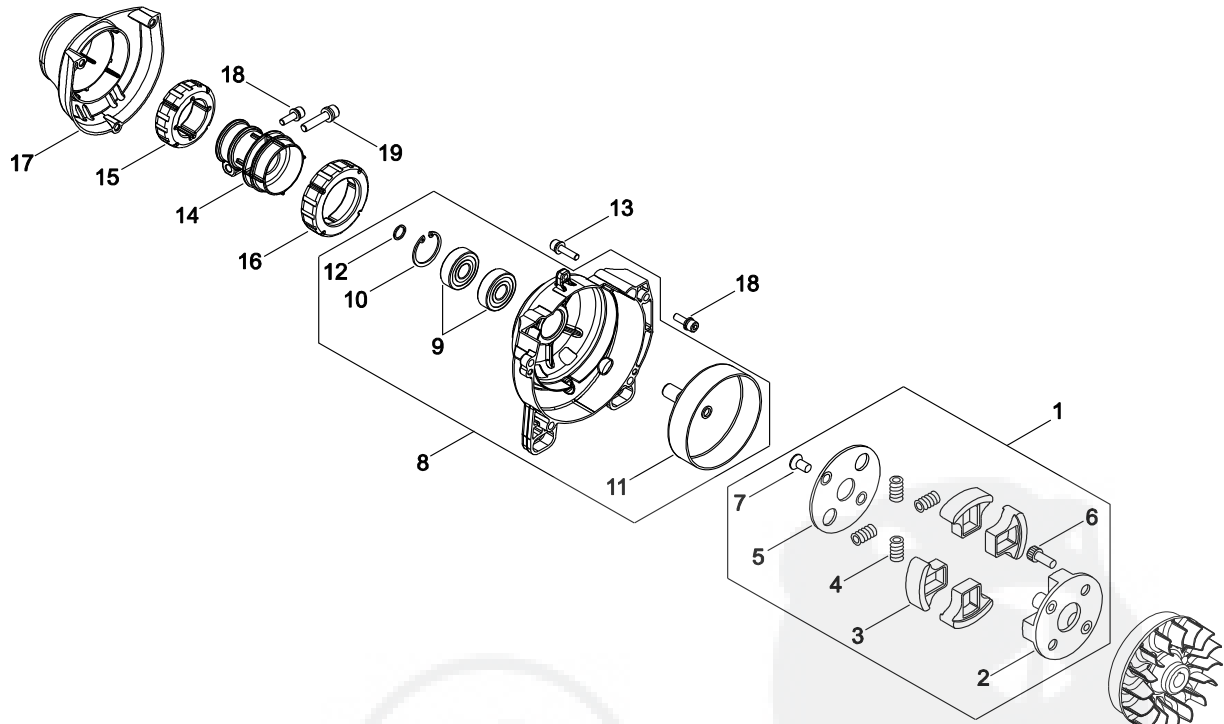
KEY	LV	PART NUMBER	Q'TY	DESCRIPTION	REMARKS	NOTE1	NOTE2
1		P021-028130	1	CRANKCASE,S COMP			
2	+	V592-000330	1	BEARING, BALL	6201X3C3		
3	+	V505-000090	1	OIL SEAL			
4		P021-028140	1	CRANKCASE,M COMP			
5	+	V592-000330	1	BEARING, BALL	6201X3C3		
6	+	V505-000090	1	OIL SEAL			
7	+	900330-40080	4	PIN F 4*8	4*8		
8		900105-05025	3	BOLT, H.S. 5*25	5*25		

3. MAGNETO



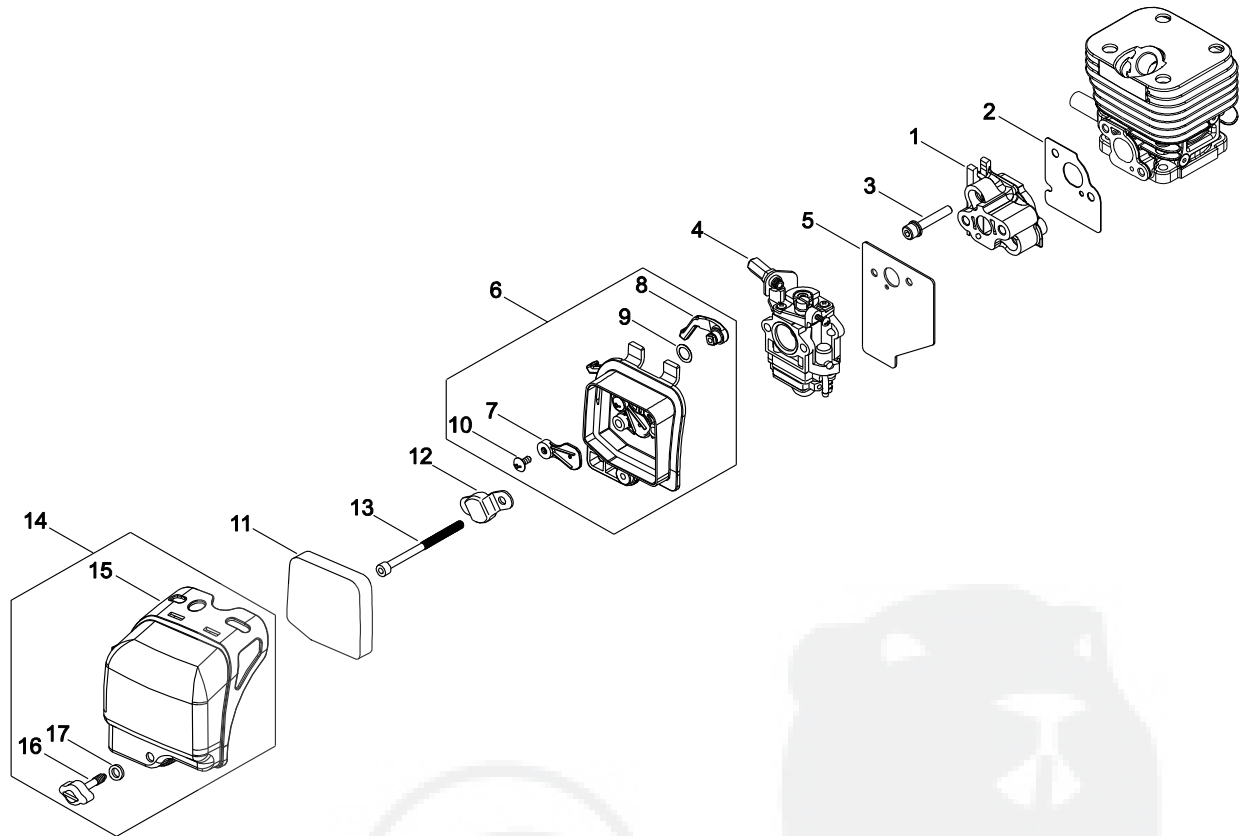
KEY	LV	PART NUMBER	Q'TY	DESCRIPTION	REMARKS	NOTE1	NOTE2
1		A409-000610	1	ROTOR			
2		93115-03010	1	KEY	3*10		
3		V265-000140	1	NUT			
4		A411-000741	1	COIL			
5		V322-000040	2	INSULATOR			
6		V485-001370	1	LEAD WIRE			
7		A426-000050	1	SPRING SPARK PLUG			
8		V202-000210	2	BOLT ADHESIVE			
9		159010-12530	1	PLUG, SPARK (BPMR-6A)	BPMR-6A		
10		A427-000060	1	CAP, SPARK PLUG			
11		A429-000090	1	COVER, CAP			
12		V475-006600	1	TUBE	SSG-3 8*L125		

4. CLUTCH



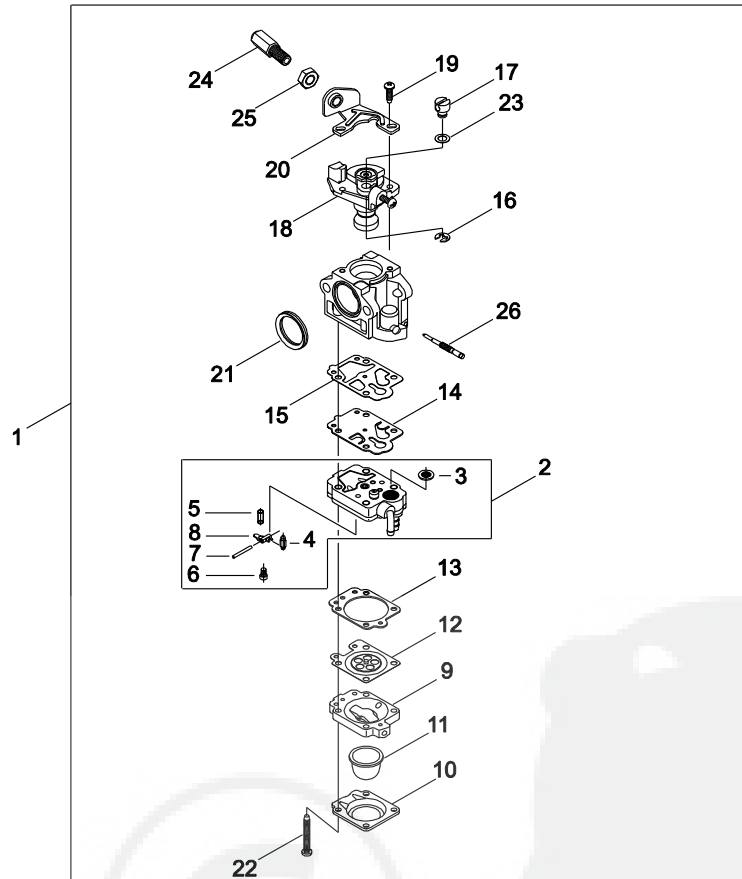
KEY	LV	PART NUMBER	Q'TY	DESCRIPTION	REMARKS	NOTE1	NOTE2
1		A056-000451	1	CLUTCH ASY			
2	+	A552-000121	1	HUB, CLUTCH			
3	+	A555-000130	4	CLUTCH SHOE			
4	+	A566-000150	4	SPRING			
5	+	A551-000120	1	PLATE			
6	+	A557-000120	2	CLUTCH BOLT			
7	+	V203-000880	2	SCREW FLAT			
8		P021-041990	1	FAN COVER ASY			
9	+	94002-36001	2	BEARING, BALL			
10	+	92424-28000	1	SNAP RING			
11	+	A556-000790	1	CLUTCH DRUM			
12	+	900701-00012	1	CIRCLIP 12	CS-12		
13		V203-000351	2	BOLT,5	M5X20 WSW		
14		A575-000270	1	JOINT			
15		V423-000040	1	FRONT CUSHION			
16		V423-000050	1	REAR CUSHION			
17		A575-000491	1	FIXTURE,MAIN PIPE			
18		V203-000591	4	BOLT,5	M5X16 WSW		
19		V204-000411	1	BOLT,6	M6X28 WSW		

5. AIR CLEANER, CARBURETOR



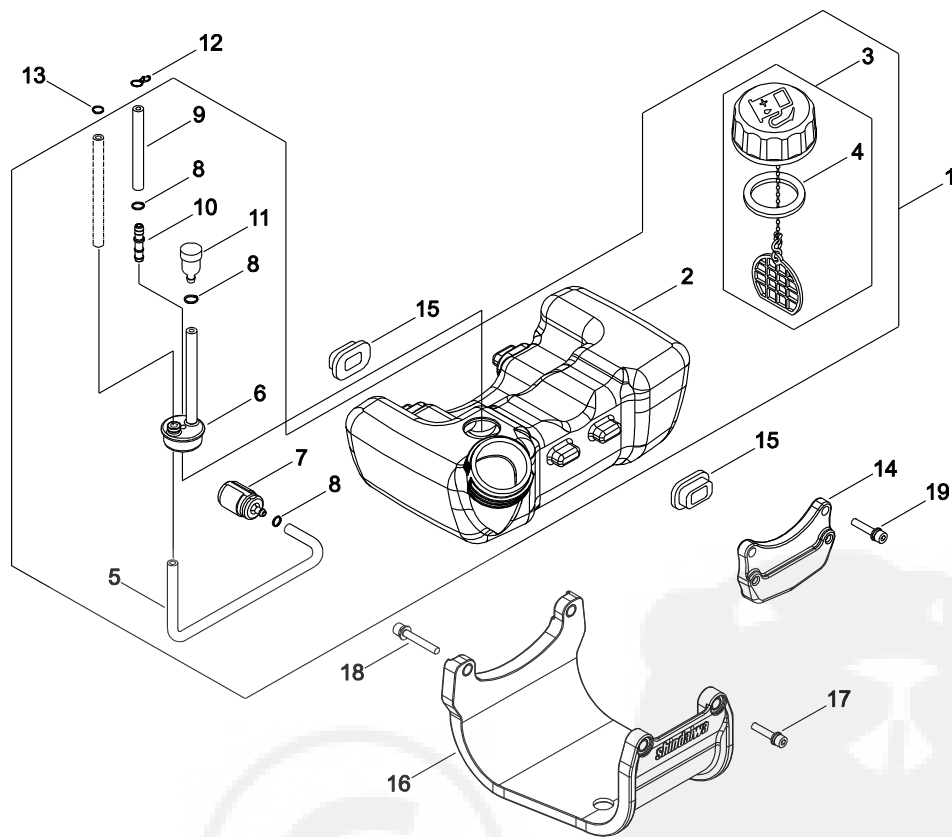
KEY	LV	PART NUMBER	Q'TY	DESCRIPTION	REMARKS	NOTE1	NOTE2
1		A200-000620	1	INSULATOR			
2		V103-000660	1	GASKET			
3		V203-000581	2	BOLT,5	M5X30 WSW		
4		A021-002350	1	CARBURETOR ASSY			
5		V103-000920	1	GASKET			
6		A023-000020	1	CLEANER BODY ASSY			
7	+	A243-000170	1	CHOKE PLATE			
8	+	A242-000140	1	CHOKE LEVER			
9	+	V346-000050	1	WASHER,WAVE			
10	+	91439-04012	1	SCREW,TRUSS,T			
11		A226-000570	1	FILTER			
12		A244-000120	1	BACK PLATE			
13		91109-05060	2	BOLT	CB-5*60		
14		A232-000640	1	CLEANER COVER ASSY			
15	+	A232-000630	1	CLEANER COVER			
16	+	V299-000340	1	KNOB			
17	+	V323-000080	1	COLLAR			

6. CARBURETOR



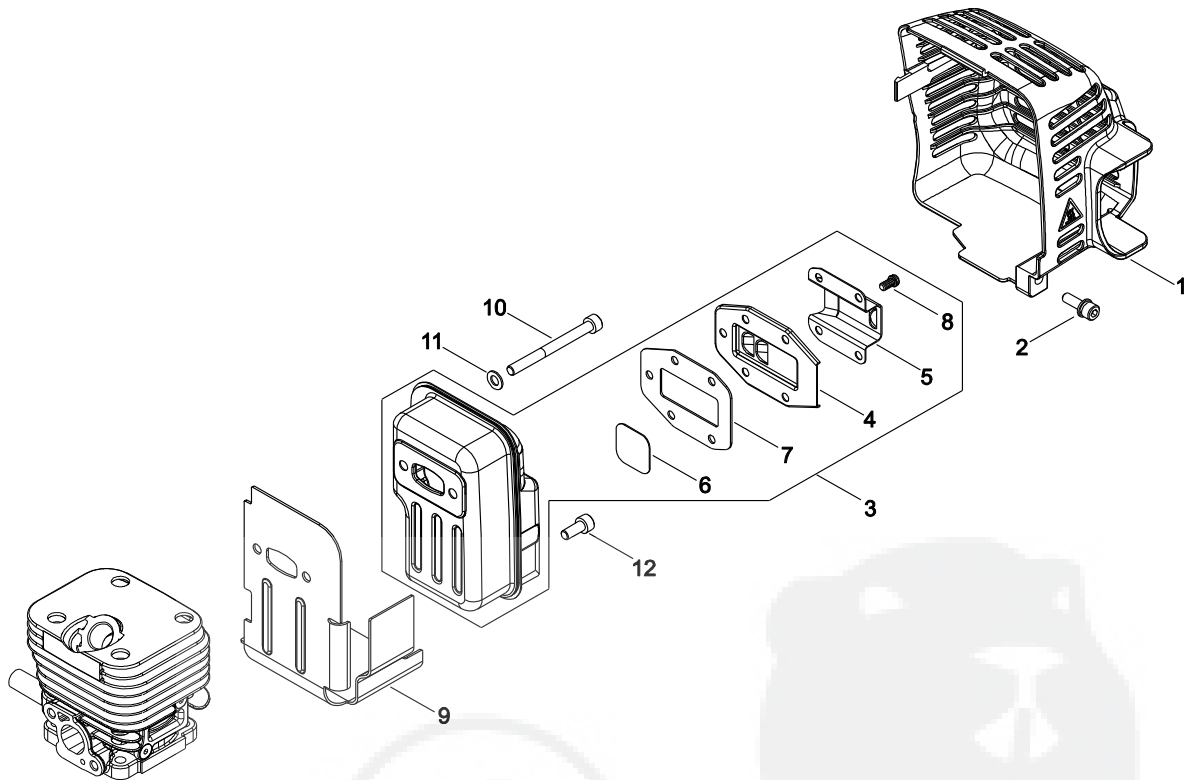
KEY	LV	PART NUMBER	QTY	DESCRIPTION	REMARKS	NOTE1	NOTE2
1		A021-002350	1	CARBURETOR ASSY			
2	+	P003-000440	1	BODY ASY, PUMP			
3	++	123126-10631	1	SCREEN, INLET			
4	++	123137-19830	1	VALVE, INLET NEEDLE			
5	++	P003-000450	1	SPRING, METER. LEVER			
6	++	123139-05560	1	SCREW, M. LEVER PIN			
7	++	123138-03930	1	PIN, METERING LEVER			
8	++	123123-03930	1	LEVER, METERING			
9	+	123180-05560	1	BODY, AIR PURGE			
10	+	123142-05560	1	COVER, PRIMER PUMP			
11	+	123181-40630	1	PUMP, PRIMER			
12	+	P003-001850	1	DIAPHRAGM, METERING			
13	+	123140-05560	1	GASKET, M. DIAPHRAGM			
14	+	123112-40630	1	DIAPHRAGM, PUMP			
15	+	123125-40630	1	GASKET, PUMP			
16	+	123173-07930	1	CLIP			
17	+	123172-45130	1	SWIVEL			
18	+	P003-004130	1	VALVE, THROTTLE			
19	+	123114-40630	2	SCREW			
20	+	P003-002590	1	BRACKET			
21	+	123143-12110	1	RING, PACKING			
22	+	123110-05560	4	SCREW, PUMP COVER			
23	+	123149-54230	1	WASHER			
24	+	P003-002630	1	CABLE ADJUSTER			
25	+	123153-56430	1	NUT, ADJUSTER			
26	+	P003-004350	1	NEEDLE			

7. FUEL TANK



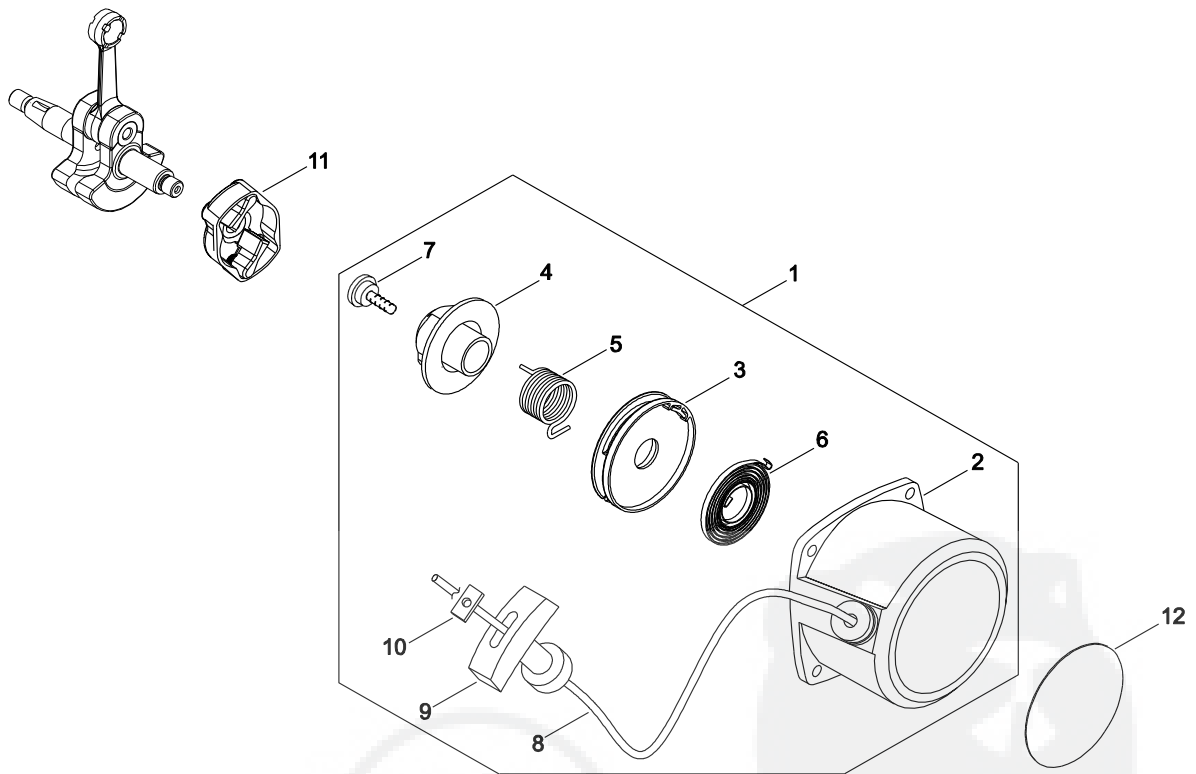
KEY	LV	PART NUMBER	Q'TY	DESCRIPTION	REMARKS	NOTE1	NOTE2
1		A038-000521	1	TANK,ASM FUEL			
2	+	A350-001890	1	TANK,FUEL			
3	+	A033-000020	1	FUEL CAP ASSY			
4	++	V107-000010	1	GASKET			
5	+	V471-002480	1	FUEL PIPE			
6	+	V470-000890	1	GROMMET			
7	+	131205-19832	1	STRAINER, FUEL			
8	+	V490-000500	3	CLIP			
9	+	V471-002580	1	PIPE			
10	+	V186-000210	1	JOINT			
11	+	A356-000040	1	VALVE,CHECK			
12		V490-000510	1	CLIP			
13		V490-000500	1	CLIP			
14		A393-000170	1	TANK BRACKET			
15		V420-002220	4	TANK CUSHION			
16		A175-000170	1	TANK GUARD			
17		V203-000351	2	BOLT,5	M5X20 WSW		
18		V203-000520	2	BOLT SW			
19		V203-000760	2	BOLT ADHESIVE			

8. MUFFLER



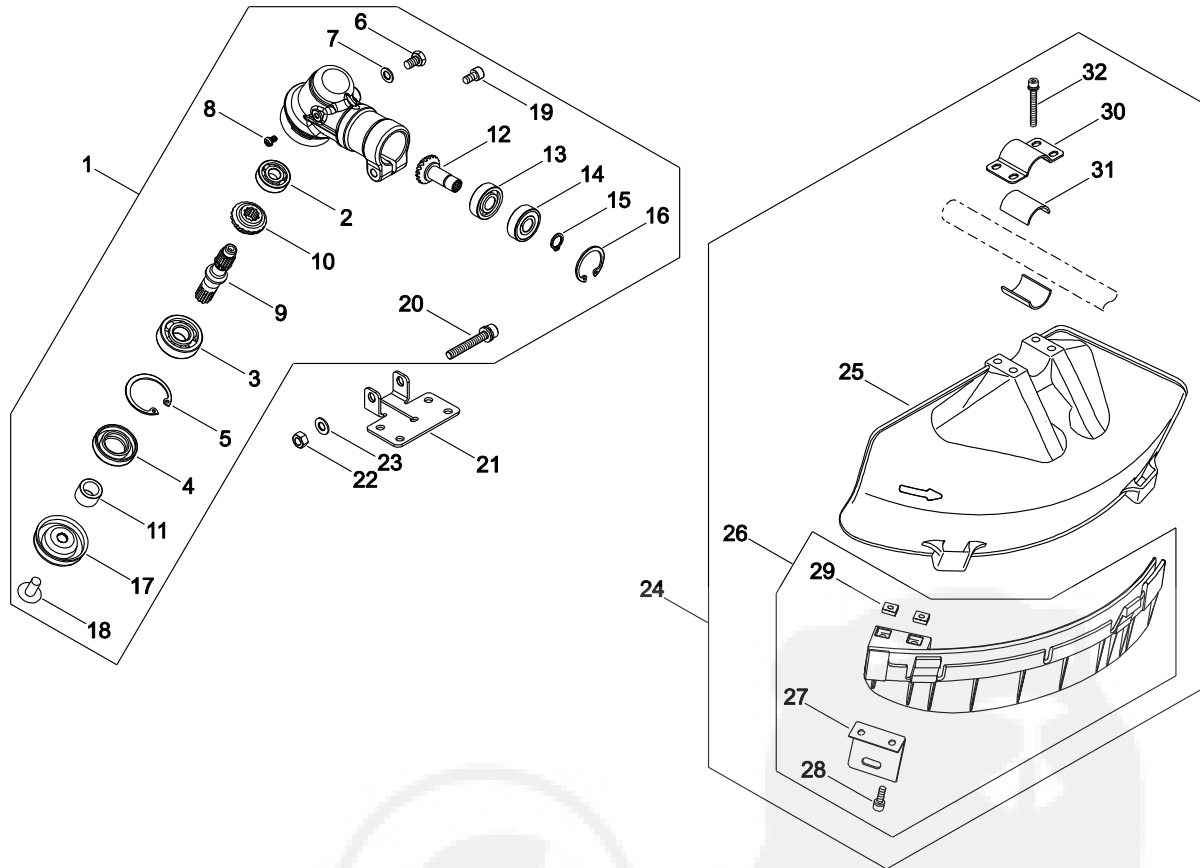
KEY	LV	PART NUMBER	QTY	DESCRIPTION	REMARKS	NOTE1	NOTE2
1		A320-000691	1	COVER,MUFFLER			
2		V203-000760	1	BOLT ADHESIVE			
3		A030-000211	1	MUFFLER ASY			
4	+	A313-001281	1	GUIDE, EXHAUST			
5	+	A313-001230	1	TAIL PLATE			
6	+	A310-000170	1	SCREEN			
7	+	V104-001270	1	GASKET			
8	+	900283-04008	5	SCREW 4*8	4*8		
9		V104-001280	1	GASKET			
10		91109-05055	2	BOLT	CB-5*0.8*55		
11		900604-00005	2	WASHER 5 SUS	5 SUS		
12		900105-05012	1	BOLT, H.S. 5*12	5*12		

9. RECOIL STARTER, PULLY



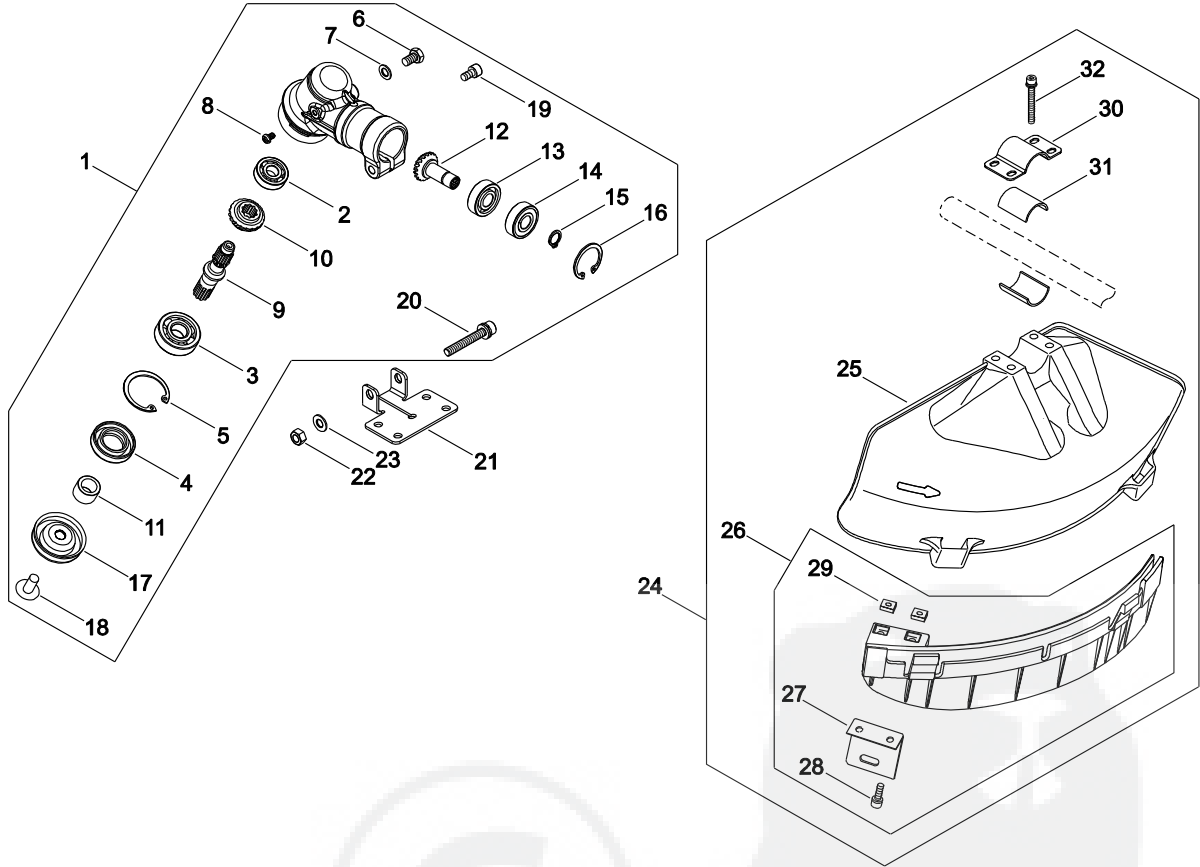
KEY	LV	PART NUMBER	QTY	DESCRIPTION	REMARKS	NOTE1	NOTE2
1		A051-001691	1	STARTER,RECOIL ASY			
2	+	P022-039330	1	STATER CASE			
3	+	P022-034120	1	DRUM, STARTER			
4	+	P022-034130	1	PLATE, CAM			
5	+	P022-008450	1	SPRING,DAMPER			
6	+	177220-40630	1	SPRING, REWIND			
7	+	177236-61830	1	SCREW			
8	+	P022-034140	1	ROPE			
9	+	177228-27030	1	GRIP, STARTER			
10	+	P022-037670	1	STOPPER, ROPE			
11		A052-000360	1	STARTER PULLEY ASSY			
12		X504-007350	1	LABEL, BRAND	SHINDAIWA C310		

10. GEAR CASE, SHIELD



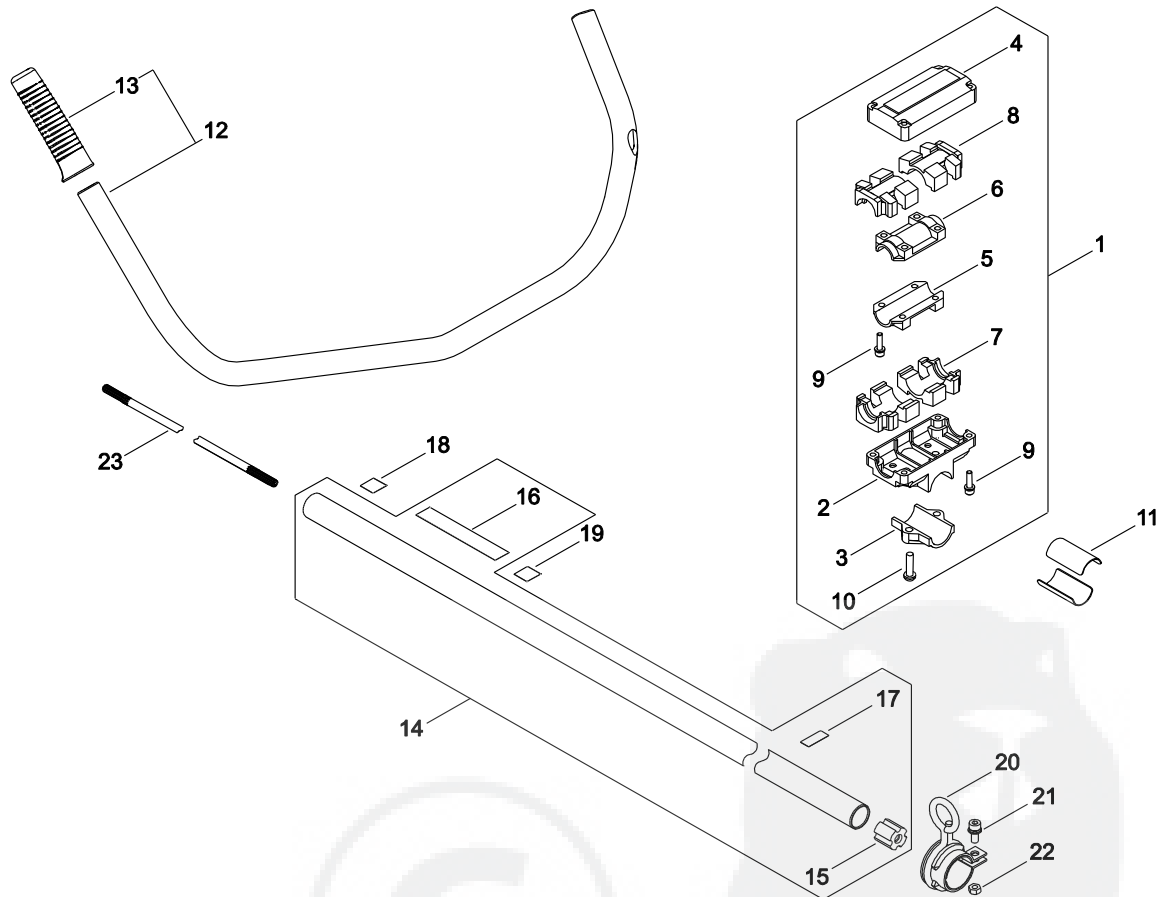
KEY	LV	PART NUMBER	Q'TY	DESCRIPTION	REMARKS	NOTE1	NOTE2
1		P021-027320	1	GEAR CASE SUBASSY			
2	+	900800-00609	1	BEARING, BALL 609	609		
3	+	900810-06201	1	BEARING, BALL 6201	6201		
4	+	V510-000000	1	OIL SEAL			
5	+	92424-32000	1	SNAP RING			
6	+	91030-06010	1	BOLT			
7	+	900600-00006	1	WASHER 6	6		
8	+	91578-04006	1	SCREW			
9	+	C534-000580	1	GEAR SHAFT			
10	+	V651-000480	1	BEVEL GEAR			
11	+	V356-000500	1	COLLAR			
12	+	V651-000490	1	BEVEL PINION			
13	+	900800-06000	1	BEARING, BALL 6000	6000		
14	+	900804-06000	1	BEARING, BALL	6000ZZ		
15	+	92423-10000	1	SNAP RING			
16	+	92424-26000	1	SNAP RING			
17	+	C535-000700	1	HOLDER			
18	+	V491-000280	1	CLAMP			
19	+	900105-05010	1	BOLT, H.S. 5*10	5*10		
20	+	V204-000450	1	BOLT SPW			
21		C551-000050	1	LOWER CLAMP			
22		900500-00006	1	NUT 6	6		
23		900603-00006	1	WASHER 6	6.5*13*1		
24		P021-028901	1	GUARD SET			
25	+	C550-000430	1	GUARD			

10. GEAR CASE, SHIELD



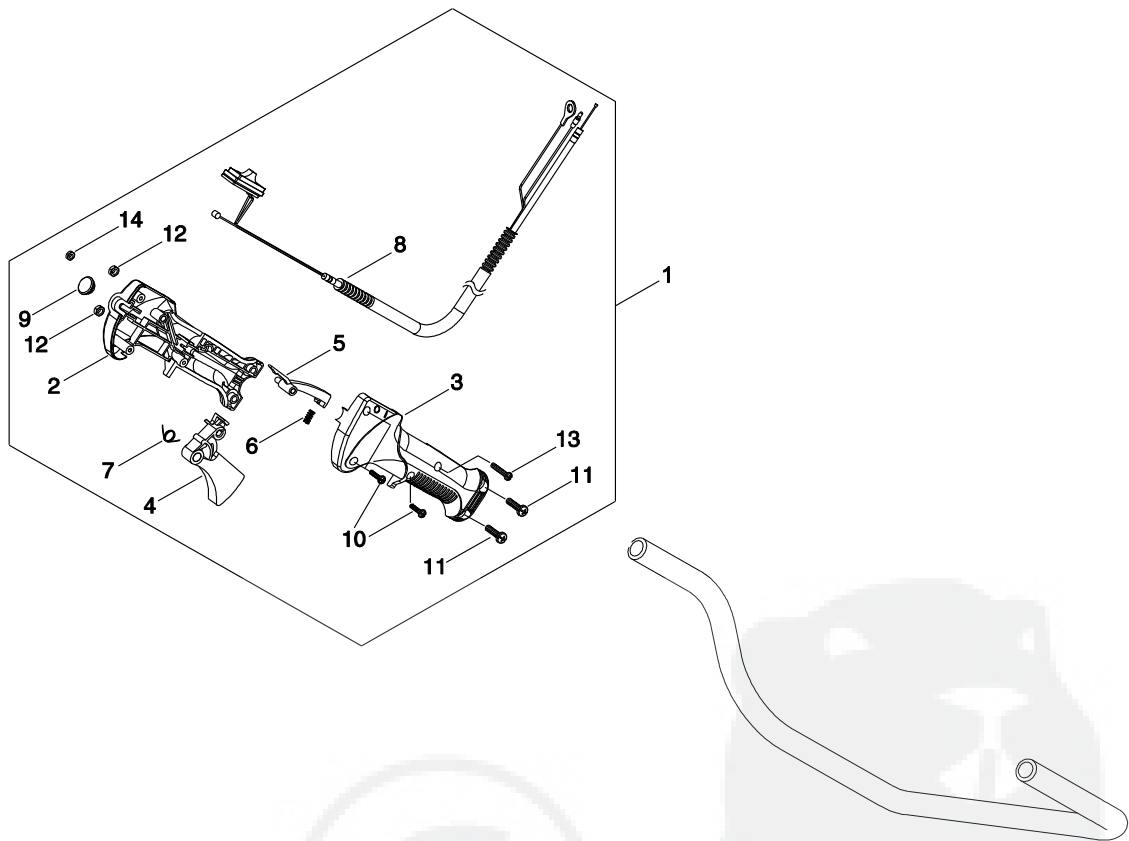
KEY	LV	PART NUMBER	Q'TY	DESCRIPTION	REMARKS	NOTE1	NOTE2
26	+	P021-028451	1	SUB GUARD ASSY			
27	++	C554-000040	1	CUTTER			
28	++	91122-05016	2	BOLT	CB-5*16 SW		
29	++	V263-000130	2	NUT			
30	+	C551-000060	1	UPPER CLAMP			
31	+	V363-000160	2	SPACER			
32	+	V203-000611	4	BOLT,5	M5X45 WSW		

11. MAIN PIPE, HANDLE



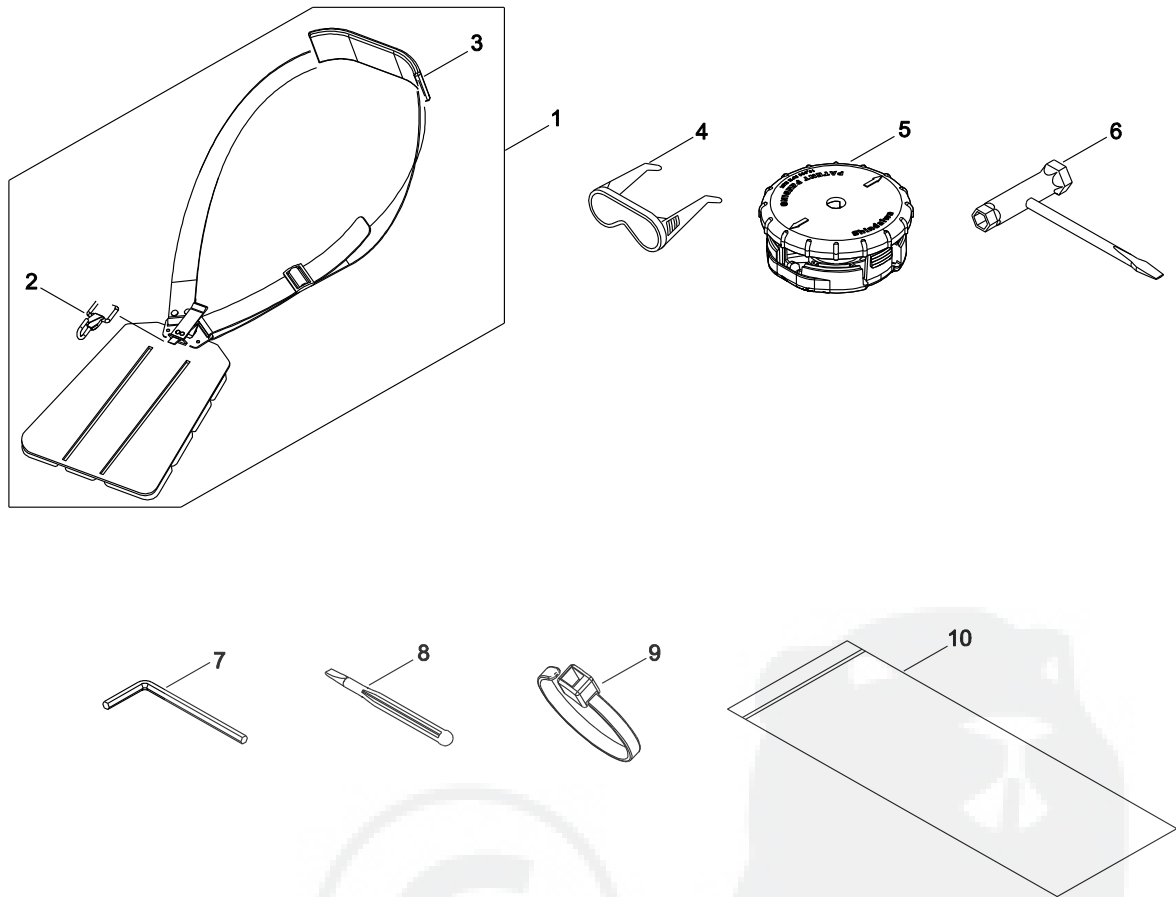
KEY	LV	PART NUMBER	Q'TY	DESCRIPTION	REMARKS	NOTE1	NOTE2
1		P021-033251	1	BRACKET COMP			
2	+	C423-000710	1	HANDLE BRACKET			
3	+	C423-000730	1	LOWER CAP			
4	+	C423-000750	1	UPPER CAP			
5	+	C423-000760	1	LOWER CLAMP			
6	+	C423-000770	1	UPPER CLAMP			
7	+	V420-002460	2	LOWER CUSHION			
8	+	V420-002470	2	UPPER CUSHION			
9	+	V203-000631	8	BOLT,5	M5X25 WSW		
10	+	91142-06025	2	SCREW BUTTON			
11		C511-000110	2	SPACER			
12		P021-035440	1	HANDLE SUB ASSY			
13	+	C403-000420	1	GRIP			
14		P021-047100	1	MAIN PIPE ASY			
15	+	C501-000050	5	BUSH			
16	+	X505-000140	1	LABEL,CAUTION			
17	+	X524-002380	1	HANDLE LABEL			
18		X505-002900	1	LABEL CAUTION			
19		X508-000310	1	LABEL DECIBEL			
20		C063-000010	1	HANGER			
21		V203-000701	1	BOLT,5	M5X12 WSW		
22		900500-00005	1	NUT 5	5		
23		C504-000650	1	MAIN SHAFT SUB ASSY			

12. THROTTLE



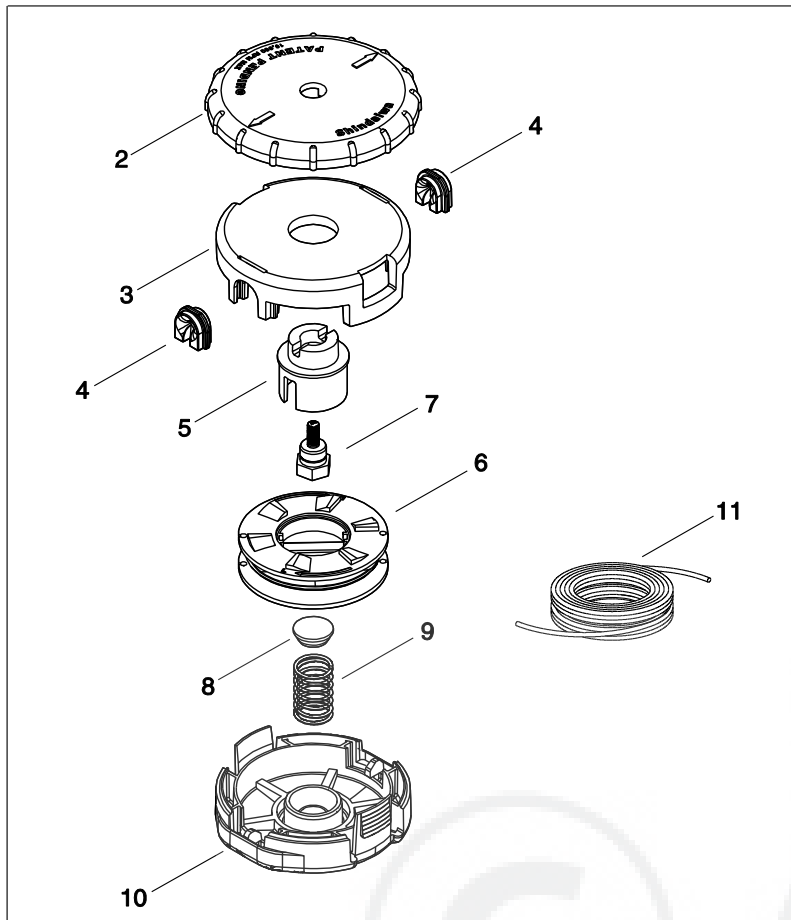
KEY	LV	PART NUMBER	Q'TY	DESCRIPTION	REMARKS	NOTE1	NOTE2
1		C044-000732	1	CONTROL, THROTTLE	C282S		
2	+	C412-000430	1	BODY RIGHT			
3	+	C412-000521	1	GRIP, HANDLE			
4	+	C450-000581	1	CONTROL, THROTTLE			
5	+	C460-000241	1	LOCKOUT, THROTTLE			
6	+	V450-001020	1	COIL SPRING			
7	+	V452-000690	1	COIL SPRING			
8	+	V043-000400	1	THROTTLE CABLE ASSY			
9	+	V162-000410	1	PLUG			
10	+	V252-000360	3	SCREW TAPPING			
11	+	91335-05022	2	SCREW	SRB-5*22		
12	+	92017-05000	2	NUT	M5		
13	+	V252-000090	1	SCREW			
14	+	V262-000100	1	NUT			

13. ACCESSORIES



KEY	LV	PART NUMBER	Q'TY	DESCRIPTION	REMARKS	NOTE1	NOTE2
1		C062-000400	1	STRAP ASSY			
2	+	C649-000200	1	HOOK			
3	+	C644-000080	1	PROTECTOR			
4		X690-000080	1	GOGGLE	SI CHINA, Z87.1		
5		X047-000711	1	CUTTER,ASM LINE	SF450		
6		X602-000120	1	TOOL,WRENCH	19-13		
7		X605-000100	1	TOOL,L WRENCH	4MM M5		
8		X626-000010	1	TOOL,SCRAPER			
9		V495-001520	2	BAND			
10		X705-000100	1	BAG,PACKING	140*200*T0.08		

14. NYLON LINE CUTTER



KEY	LV	PART NUMBER	QTY	DESCRIPTION	REMARKS	NOTE1	NOTE2
1		X047-000711	1	CUTTER,ASM LINE	SF450		
2	+	E415-000111	1	KNOB,REGULATOR			
3	+	X470-000211	1	DRUM,REEL			
4	+	X475-000050	2	EYELETS			
5	+	X476-000021	1	HUB,REEL			
6	+	X473-000031	1	REEL,CORD			
7	+	X471-000090	1	SHAFT,CORD			
8	+	V494-000280	1	SPRING CAP			
9	+	V450-000871	1	SPRING,COMPRESSION			
10	+	X472-000031	1	LID,DRUM			
11	+	X474-000120	1	CORD			

Index

Patrs Number	Key No.	Patrs Number	Key No.	Patrs Number	Key No.
123110-05560	6 - 22	92424-26000	10 - 16	C403-000420	11 - 13
123112-40630	6 - 14	92424-28000	4 - 10	C412-000430	12 - 2
123114-40630	6 - 19	92424-32000	10 - 5	C412-000521	12 - 3
123123-03930	6 - 8	93115-03010	3 - 2	C423-000710	11 - 2
123125-40630	6 - 15	94002-36001	4 - 9	C423-000730	11 - 3
123126-10631	6 - 3	A011-000800	1 - 1	C423-000750	11 - 4
123137-19830	6 - 4	A021-002350	5 - 4	C423-000760	11 - 5
123138-03930	6 - 7	A021-002350	6 - 1	C423-000770	11 - 6
123139-05560	6 - 6	A023-000020	5 - 6	C450-000581	12 - 4
123140-05560	6 - 13	A030-000211	8 - 3	C460-000241	12 - 5
123142-05560	6 - 10	A033-000020	7 - 3	C501-000050	11 - 15
123143-12110	6 - 21	A038-000521	7 - 1	C504-000650	11 - 23
123149-54230	6 - 23	A051-001691	9 - 1	C511-000110	11 - 11
123153-56430	6 - 25	A052-000360	9 - 11	C534-000580	10 - 9
123172-45130	6 - 17	A056-000451	4 - 1	C535-000700	10 - 17
123173-07930	6 - 16	A101-000340	1 - 5	C550-000430	10 - 25
123180-05560	6 - 9	A130-001280	1 - 2	C551-000050	10 - 21
123181-40630	6 - 11	A160-001550	1 - 11	C551-000060	10 - 30
131205-19832	7 - 7	A175-000170	7 - 16	C554-000040	10 - 27
159010-12530	3 - 9	A200-000620	5 - 1	C644-000080	13 - 3
177220-40630	9 - 6	A226-000570	5 - 11	C649-000200	13 - 2
177228-27030	9 - 9	A232-000630	5 - 15	E415-000111	14 - 2
177236-61830	9 - 7	A232-000640	5 - 14	P003-000440	6 - 2
900105-05010	10 - 19	A242-000140	5 - 8	P003-000450	6 - 5
900105-05012	8 - 12	A243-000170	5 - 7	P003-001850	6 - 12
900105-05016	1 - 3	A244-000120	5 - 12	P003-002590	6 - 20
900105-05025	2 - 8	A310-000170	8 - 6	P003-002630	6 - 24
900283-04008	8 - 8	A313-001230	8 - 5	P003-004130	6 - 18
900330-40080	2 - 7	A313-001281	8 - 4	P003-004350	6 - 26
900500-00005	11 - 22	A320-000691	8 - 1	P021-027320	10 - 1
900500-00006	10 - 22	A350-001890	7 - 2	P021-028130	2 - 1
900600-00006	10 - 7	A356-000040	7 - 11	P021-028140	2 - 4
900603-00006	10 - 23	A393-000170	7 - 14	P021-028451	10 - 26
900604-00005	8 - 11	A409-000610	3 - 1	P021-028901	10 - 24
900701-00012	4 - 12	A411-000741	3 - 4	P021-033251	11 - 1
900800-00609	10 - 2	A426-000050	3 - 7	P021-035440	11 - 12
900800-06000	10 - 13	A427-000060	3 - 10	P021-041990	4 - 8
900804-06000	10 - 14	A429-000090	3 - 11	P021-045970	1 - 4
900810-06201	10 - 3	A551-000120	4 - 5	P021-047100	11 - 14
91030-06010	10 - 6	A552-000121	4 - 2	P022-008450	9 - 5
91109-05055	8 - 10	A555-000130	4 - 3	P022-034120	9 - 3
91109-05060	5 - 13	A556-000790	4 - 11	P022-034130	9 - 4
91122-05016	10 - 28	A557-000120	4 - 6	P022-034140	9 - 8
91142-06025	11 - 10	A566-000150	4 - 4	P022-037670	9 - 10
91335-05022	12 - 11	A575-000270	4 - 14	P022-039330	9 - 2
91439-04012	5 - 10	A575-000491	4 - 17	V043-000400	12 - 8
91578-04006	10 - 8	C044-000732	12 - 1	V100-000440	1 - 10
92017-05000	12 - 12	C062-000400	13 - 1	V103-000660	5 - 2
92423-10000	10 - 15	C063-000010	11 - 20	V103-000920	5 - 5

Index

Patrs Number	Key No.	Patrs Number	Key No.	Patrs Number	Key No.
V104-001270	8 - 7	V494-000280	14 - 8		
V104-001280	8 - 9	V495-001520	13 - 9		
V107-000010	7 - 4	V505-000090	2 - 3		
V162-000410	12 - 9	V505-000090	2 - 6		
V186-000210	7 - 10	V510-000000	10 - 4		
V202-000210	3 - 8	V554-000010	1 - 8		
V203-000351	4 - 13	V580-000090	1 - 7		
V203-000351	7 - 17	V592-000330	2 - 2		
V203-000520	7 - 18	V592-000330	2 - 5		
V203-000581	5 - 3	V607-000020	1 - 6		
V203-000591	4 - 18	V651-000480	10 - 10		
V203-000611	10 - 32	V651-000490	10 - 12		
V203-000631	11 - 9	X047-000711	13 - 5		
V203-000701	11 - 21	X047-000711	14 - 1		
V203-000760	1 - 12	X470-000211	14 - 3		
V203-000760	7 - 19	X471-000090	14 - 7		
V203-000760	8 - 2	X472-000031	14 - 10		
V203-000880	4 - 7	X473-000031	14 - 6		
V204-000411	4 - 19	X474-000120	14 - 11		
V204-000450	10 - 20	X475-000050	14 - 4		
V252-000090	12 - 13	X476-000021	14 - 5		
V252-000360	12 - 10	X504-007340	1 - 13		
V262-000100	12 - 14	X504-007350	9 - 12		
V263-000130	10 - 29	X505-000140	11 - 16		
V265-000140	3 - 3	X505-002900	11 - 18		
V299-000340	5 - 16	X508-000310	11 - 19		
V322-000040	3 - 5	X524-002380	11 - 17		
V323-000080	5 - 17	X602-000120	13 - 6		
V346-000050	5 - 9	X605-000100	13 - 7		
V356-000500	10 - 11	X626-000010	13 - 8		
V363-000160	10 - 31	X690-000080	13 - 4		
V392-000020	1 - 9	X705-000100	13 - 10		
V420-002220	7 - 15				
V420-002460	11 - 7				
V420-002470	11 - 8				
V423-000040	4 - 15				
V423-000050	4 - 16				
V450-000871	14 - 9				
V450-001020	12 - 6				
V452-000690	12 - 7				
V470-000890	7 - 6				
V471-002480	7 - 5				
V471-002580	7 - 9				
V475-006600	3 - 12				
V485-001370	3 - 6				
V490-000500	7 - 8				
V490-000500	7 - 13				
V490-000510	7 - 12				
V491-000280	10 - 18				

YAMABIKO CORPORATION

7-2 SUEHIROCHO 1-CHOME, OHME, TOKYO 198-8760, JAPAN
PHONE: 81-428-32-6118. FAX: 81-428-32-6145.



-13M
No. 05-026