

**shindaiwa<sup>®</sup>**

# **PARTS CATALOG**

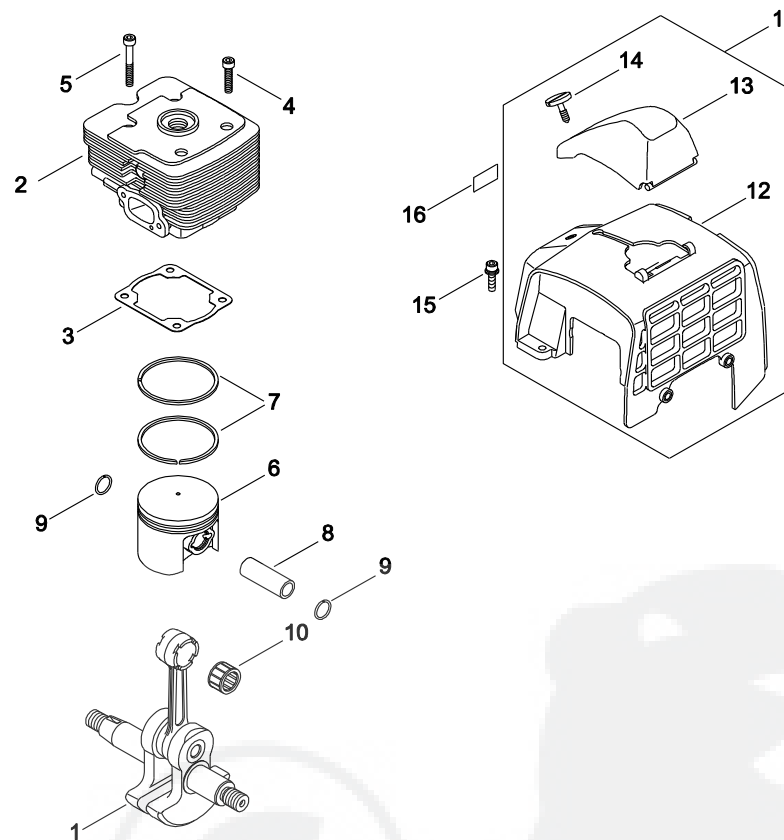
## **BRUSHCUTTER B530/U6(36)**

**36100551 -**

**CE**

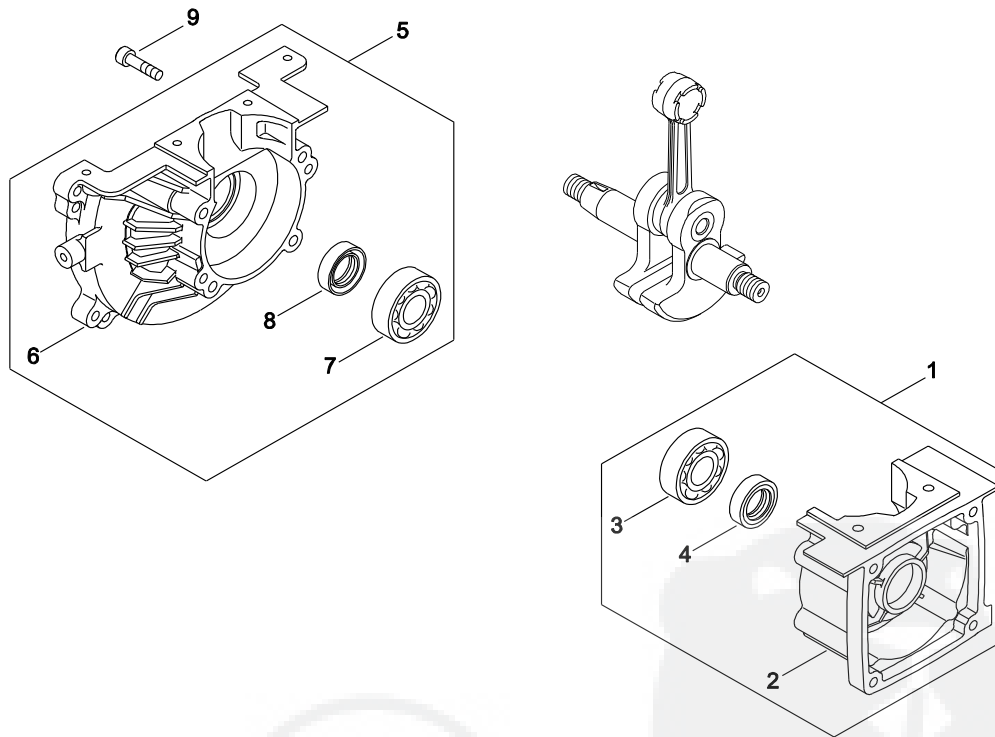
P016-001441-14C

# 1. CYLINDER, PISTON, CRANKSHAFT



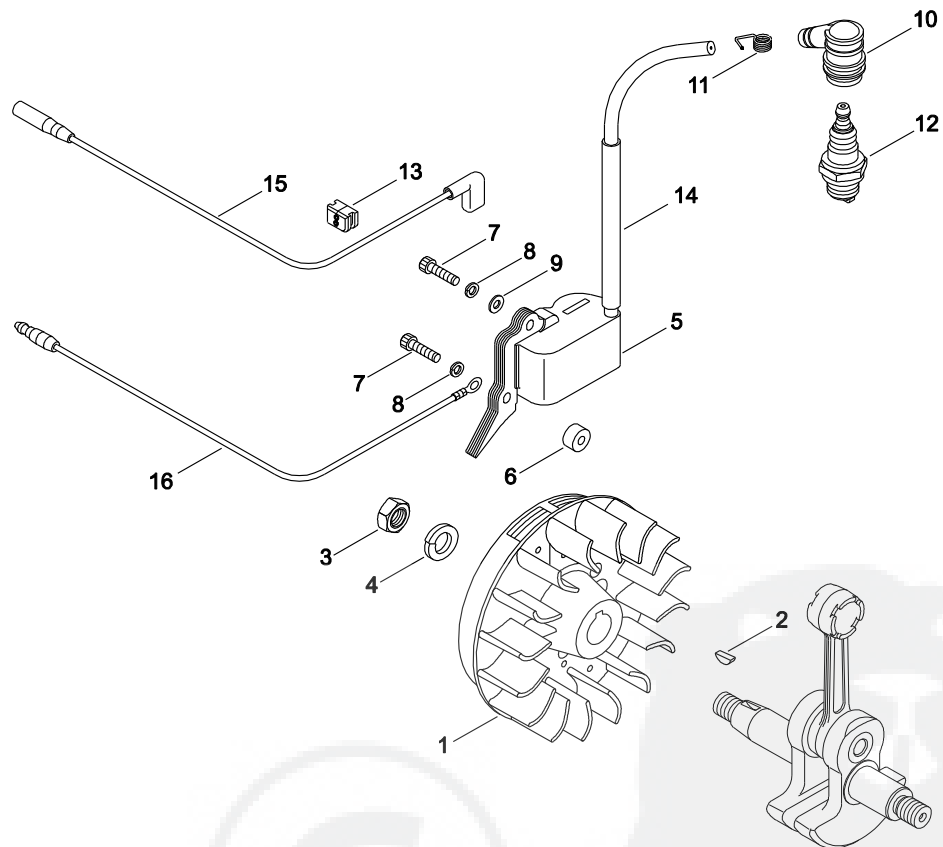
KEY	LV	PART NUMBER	Q'TY	DESCRIPTION	REMARKS	NOTE1	NOTE2
1		A011-000840	1	CRANK SHAFT			
2		A130-001780	1	CYLINDER			
3		V100-000450	1	GASKET CYLINDER			
4		900105-05025	3	BOLT, H.S. 5*25	5*25		
5		900105-05035	1	BOLT, H.S. 5*35	5*35		
6		A100-000680	1	PISTON			
7		A101-000370	2	PISTON RING			
8		V609-000050	1	PISTON PIN			
9		V580-000100	2	SNAP RING			
10		V556-000030	1	NEEDLE BEARING			
11		P021-027791	1	CYLINDER COVER COMP			
12	+	A160-001651	1	CYLINDER COVER			
13	+	A429-000120	1	PLUG COVER			
14	+	V299-000390	1	KNOB			
15		V203-000591	2	BOLT,5	M5X16 WSW		
16		X504-007560	1	LABEL,BRAND	SHINDAIWA B530		

## 2. CRANKCASE



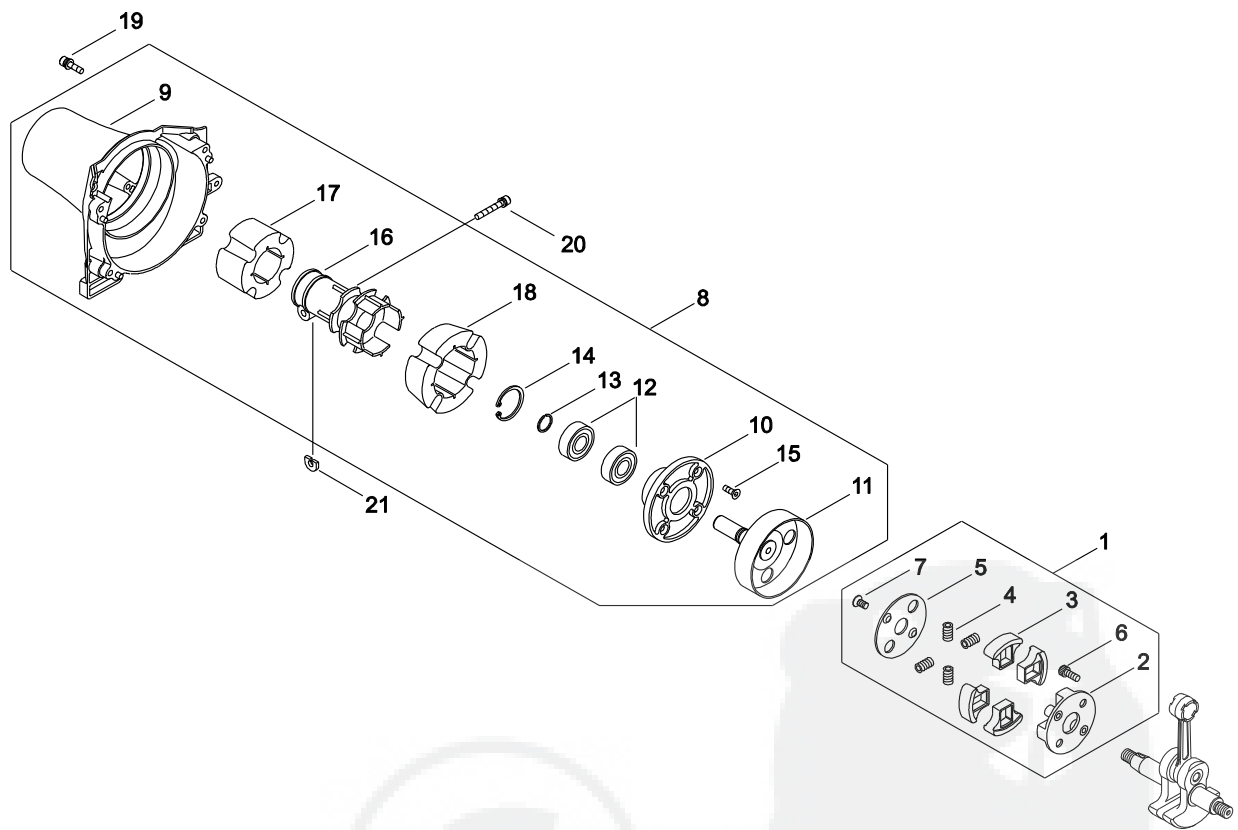
KEY	LV	PART NUMBER	Q'TY	DESCRIPTION	REMARKS	NOTE1	NOTE2
1		P021-027760	1	CRANK CASE S COMP			
2	+	A120-000370	1	CRANK CASE S			
3	+	900810-36202	1	BEARING, BALL 6202	6202/C3		
4	+	V508-000050	1	OIL SEAL			
5		P021-027770	1	CRANK CASE M COMP			
6	+	A120-000380	1	CRANK CASE M			
7	+	900810-36202	1	BEARING, BALL 6202	6202/C3		
8	+	V508-000050	1	OIL SEAL			
9		900105-05030	4	BOLT, H.S. 5*30	5*30		

## 3. MAGNETO



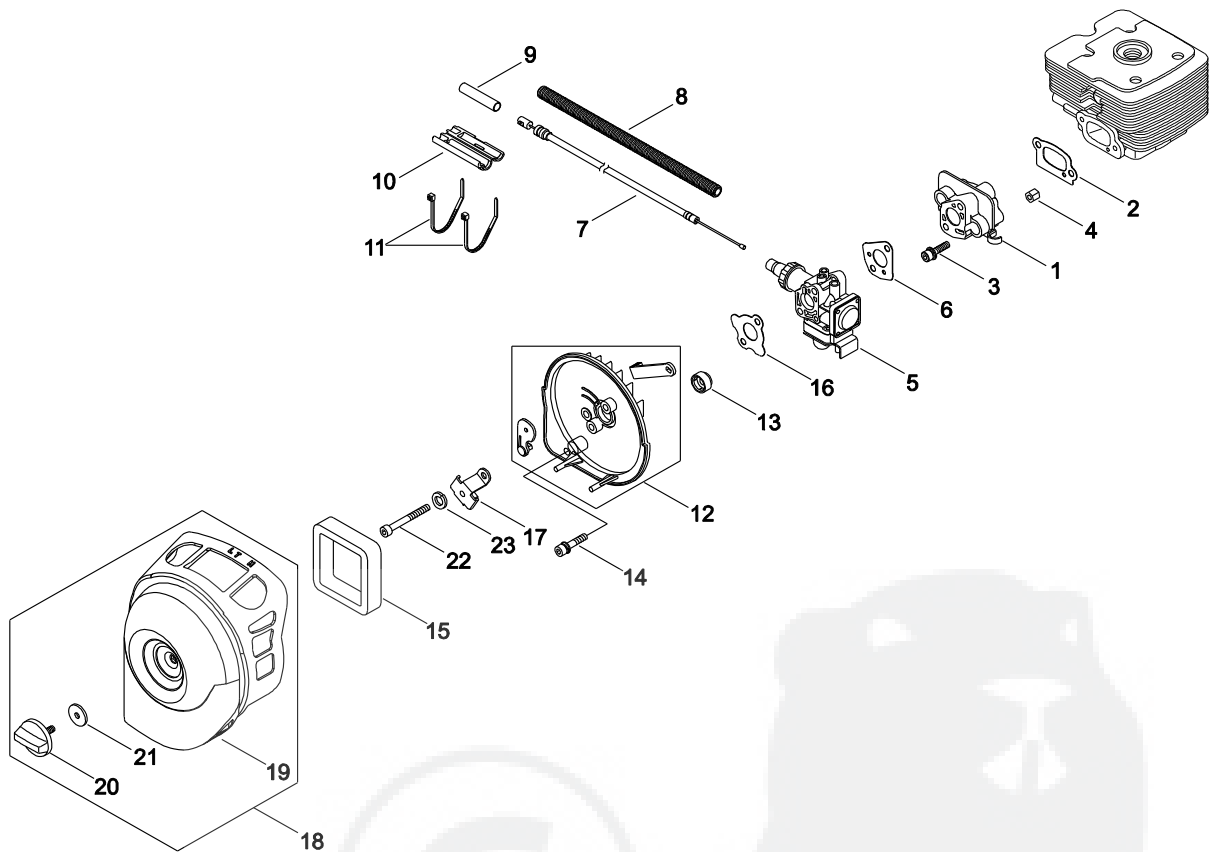
KEY	LV	PART NUMBER	Q'TY	DESCRIPTION	REMARKS	NOTE1	NOTE2
1		A409-000650	1	ROTOR			
2		93115-03010	1	KEY	3*10		
3		900503-00010	1	NUT 10 (3N *1.25)	3N10*P1.25		
4		900605-00010	1	WASHER, SPRING 10	10		
5		A411-000790	1	COIL ASSY			
6		V322-000040	2	INSULATOR			
7		91100-04024	2	BOLT			
8		900605-00004	2	WASHER, SPRING 4	4		
9		V302-000010	1	WASHER			
10		A427-000060	1	CAP, SPARK PLUG			
11		A426-000040	1	TERMINAL, SPARKPLUG			
12		159010-10130	1	PLUG, SPARK (BMR-6A)	BMR-6A		
13		V136-000040	1	GROMMET			
14		V475-005280	1	PIPE CORD B			
15		V485-001700	1	LEAD WIRE			
16		V485-001710	1	LEAD WIRE			

## 4. CLUTCH



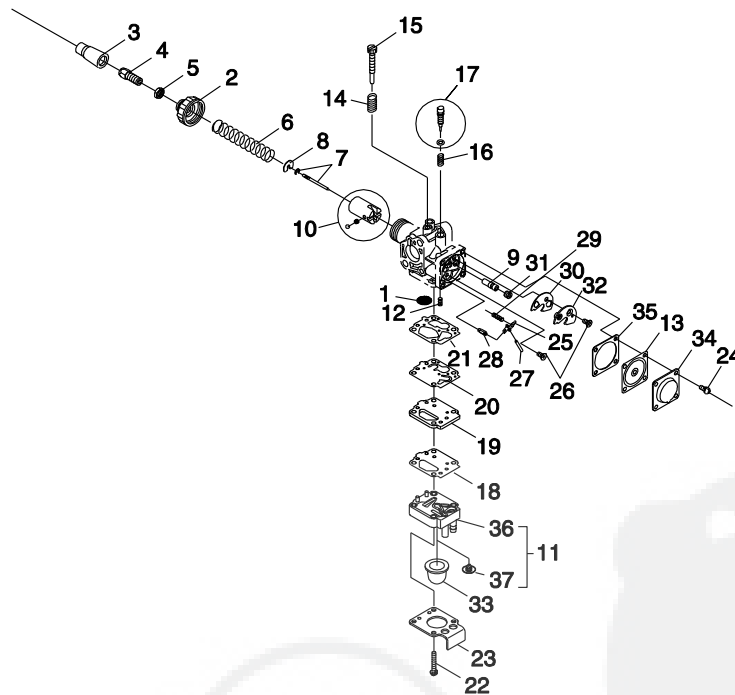
KEY	LV	PART NUMBER	Q'TY	DESCRIPTION	REMARKS	NOTE1	NOTE2
1		A056-000451	1	CLUTCH ASY			
2	+	A552-000121	1	HUB, CLUTCH			
3	+	A555-000130	4	CLUTCH SHOE			
4	+	A566-000150	4	SPRING			
5	+	A551-000120	1	PLATE			
6	+	A557-000120	2	CLUTCH BOLT			
7	+	V203-000880	2	SCREW FLAT			
8		P021-044610	1	FAN COVER ASY			
9	+	A172-001270	1	FAN COVER			
10	+	A570-000200	1	CLUTCH CASE			
11	+	A556-001600	1	DRUM, CLUTCH			
12	+	900812-06202	2	BEARING, BALL 6202	6202DDU(LLU)		
13	+	V583-000181	1	RING			
14	+	92424-35000	1	SNAP RING			
15	+	V253-000440	4	SCREW ADHEISIVE			
16	+	A575-000440	1	JOINT			
17	+	V420-002490	1	FRONT CUSION			
18	+	V420-002500	1	REAR CUSION			
19		V203-000581	4	BOLT,5	M5X30 WSW		
20		V204-000411	1	BOLT,6	M6X28 WSW		
21		V375-000350	1	SHIM			

## 5. AIR CLEANER, CARBURETOR



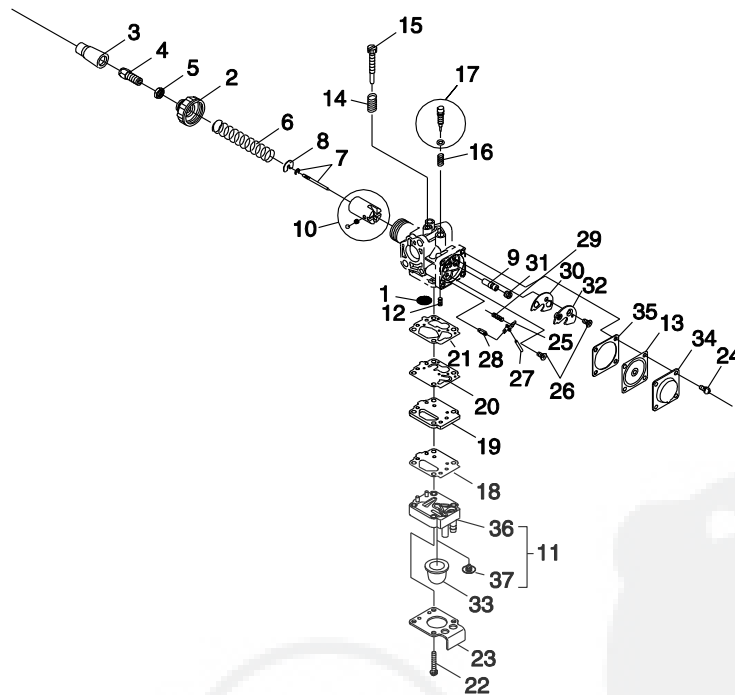
KEY	LV	PART NUMBER	QTY	DESCRIPTION	REMARKS	NOTE1	NOTE2
1		A200-000680	1	INSULATOR			
2		V103-001020	1	GASKET			
3		V203-000581	2	BOLT,5	M5X30 WSW		
4		V263-000180	2	NUT			
5		A021-002580	1	CARBURETOR ASSY			
6		V103-001030	1	GASKET			
7		V430-002930	1	THROTTLE CABLE			
8		V475-004500	1	TUBE	L=180		
9		V475-004810	1	SLEEVE			
10		C482-000070	1	CONNECTOR			
11		V495-001530	2	BAND			
12		A023-000160	1	CLEANER BODY COMP			
13		V323-000090	1	INSULATOR			
14		V203-000530	1	BOLT SW			
15		A226-000680	1	FILTER			
16		V103-001040	1	GASKET			
17		A244-000180	1	BACK PLATE			
18		P021-028000	1	CLEANER COVER COMP			
19	+	A232-000880	1	CLEANER COVER			
20	+	V299-000410	1	KNOB			
21	+	V303-000200	1	WASHER			
22		900105-05075	2	BOLT, H.S.H	5*75		
23		900605-00005	2	WASHER, SPRING 5	5		

## 6. CARBURETOR



KEY	LV	PART NUMBER	Q'TY	DESCRIPTION	REMARKS	NOTE1	NOTE2
		A021-002580	1	CARBURETOR ASSY			
1	+	P004-001640	1	SCREEN			
2	+	124113-05910	1	COVER, TOP			
3	+	124174-11120	1	CAP			
4	+	124158-13410	1	ADJUST, CABLE			
5	+	124111-05810	1	NUT			
6	+	124114-11120	1	SPRING, THROTTLE			
7	+	P004-003330	1	JET NEEDLE			
8	+	124115-11120	1	SEAT, SPRING			
9	+	P004-002730	1	NEEDLE JET			
10	+	P004-002680	1	THROTTLE VALVE			
11	+	P004-002690	1	PUMP COVER ASSY			
36	++	P004-003250	1	PUMP COVER			
37	++	124374-55430	1	VALVE, CHECK			
12	+	124367-55430	1	SPRING, COIL			
13	+	P004-002720	1	DIAPHRAGM			
14	+	124160-11120	1	SPRING, IDLE ADJUST			
15	+	124159-05530	1	SCREW, IDLE ADJUST			
16	+	124355-21330	1	SPRING, ADJUSTMENT			
17	+	P004-003280	1	SCREW, MAIN ADJUST			
18	+	124363-12710	1	GASKET, FUEL PUMP			
19	+	124362-12710	1	PLATE, PUMP			
20	+	124364-12710	1	DIAPHRAGM, FUEL PUMP	NBR		
21	+	124361-12710	1	GASKET			
22	+	P004-002700	4	SCREW			

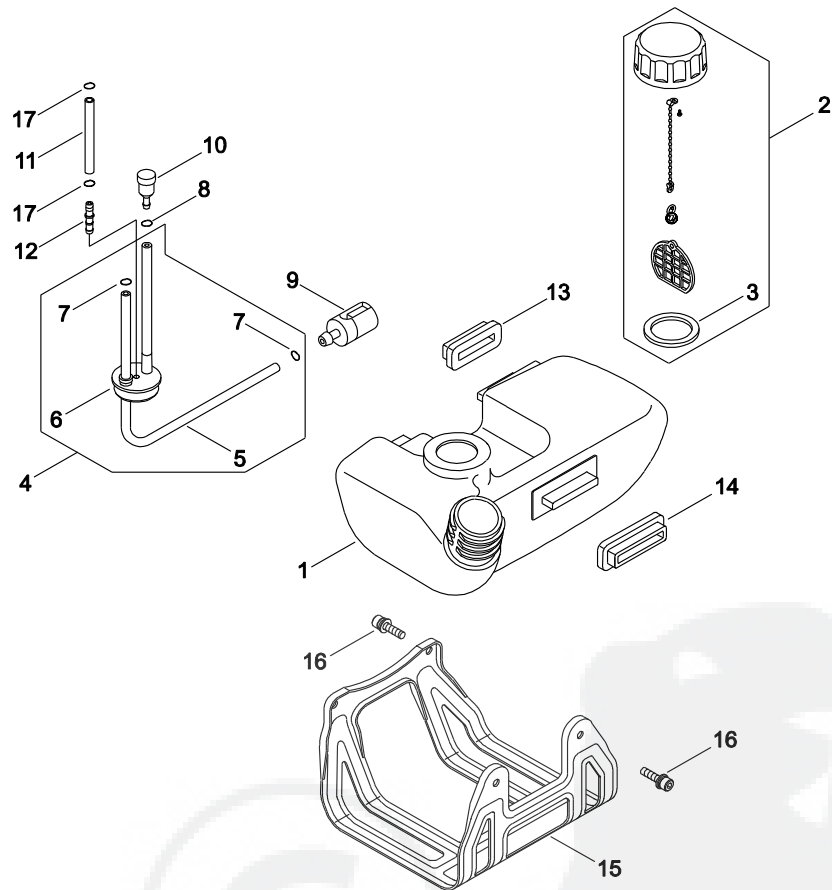
## 6. CARBURETOR



KEY	LV	PART NUMBER	Q'TY	DESCRIPTION	REMARKS	NOTE1	NOTE2
23	+	P004-002710	1	PUMP PLATE			
24	+	P004-001000	4	SCREW			
25	+	124321-50430	1	LEVER, INLET CONTROL			
26	+	P004-001350	2	SCREW			
27	+	124332-21330	1	PIN, LEVER			
28	+	P004-001660	1	NEEDLE VALVE			
29	+	124331-49930	1	SPRING, TENSION			
30	+	P004-003000	1	PACKING			
31	+	P004-002980	1	HOLDER			
32	+	P004-003010	1	PLATE			
33	+	124380-12710	1	PUMP, PRIMING			
34	+	P004-001720	1	COVER DIAPHRAGM			
35	+	P004-000590	1	GASKET, DIAPHRAGM			

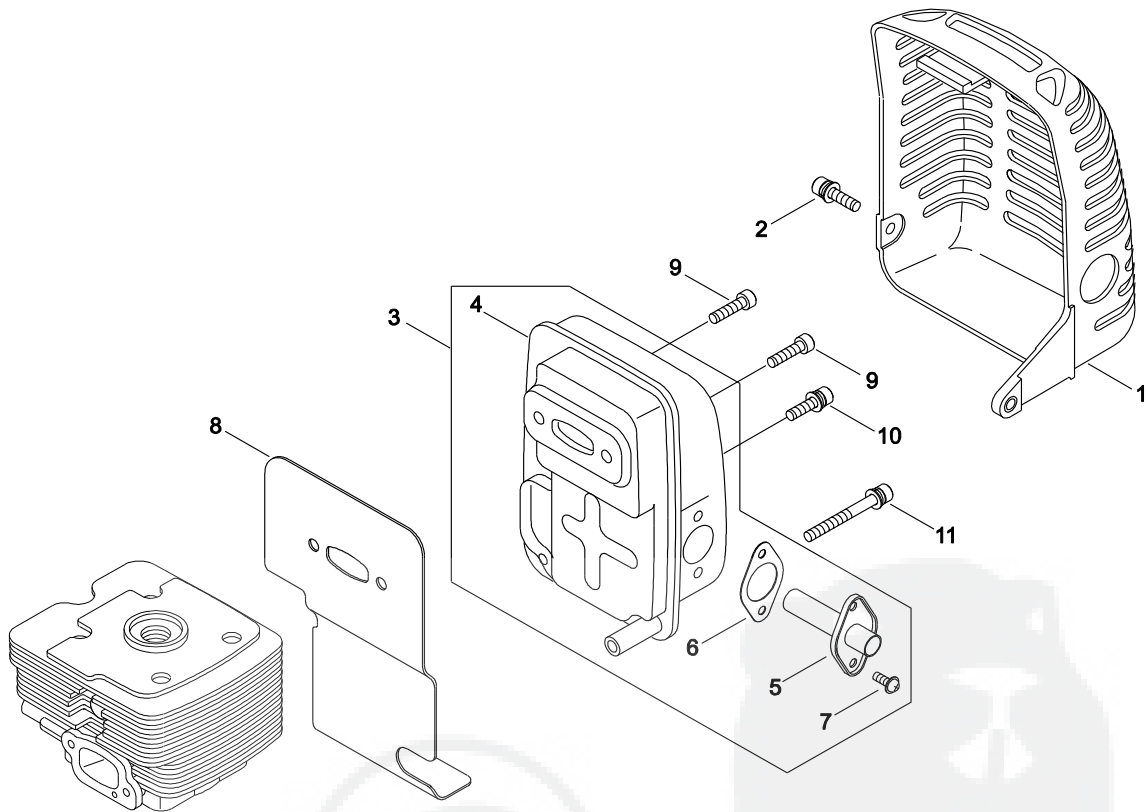


## 7. FUEL TANK



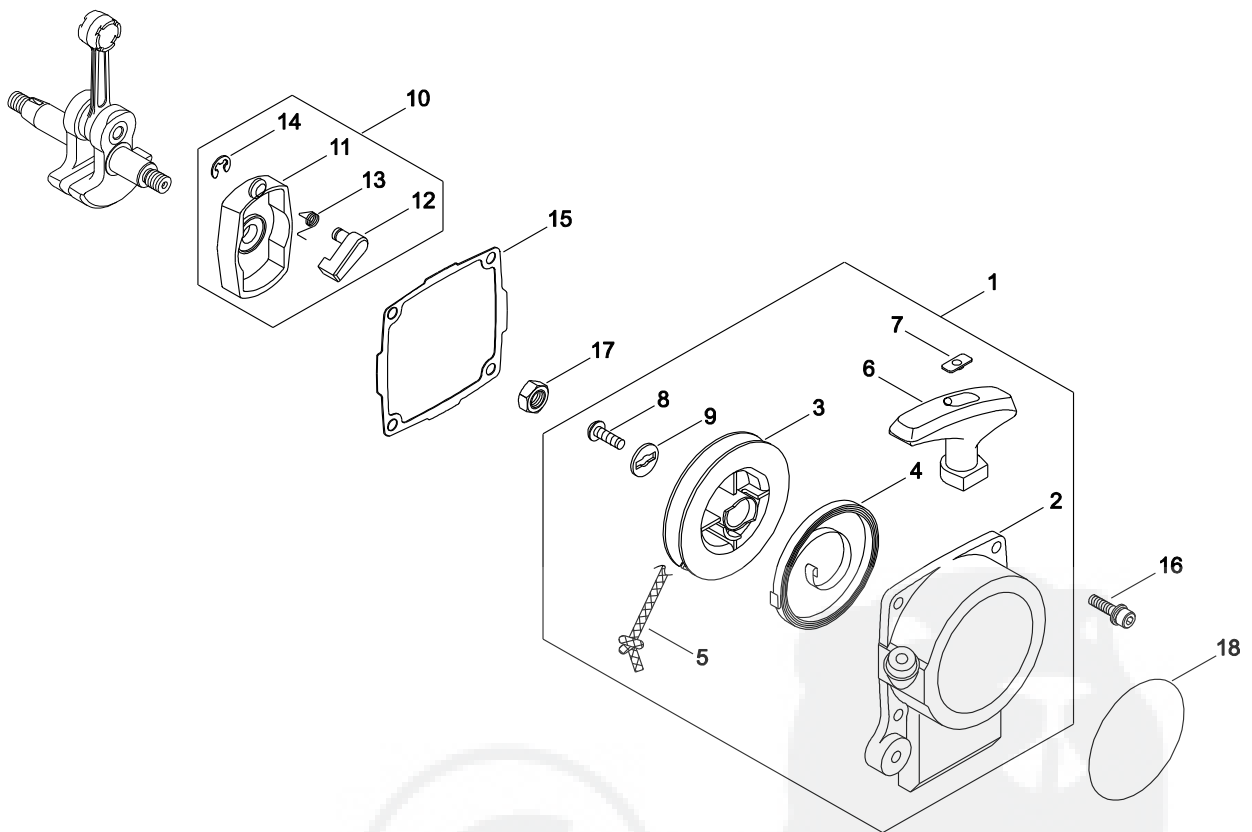
KEY	LV	PART NUMBER	Q'TY	DESCRIPTION	REMARKS	NOTE1	NOTE2
1		A350-001370	1	FUEL TANK			
2		A033-000330	1	CAP,FUEL			
3	+	V107-000010	1	GASKET			
4		P021-034560	1	FUEL PIPE ASSY			
5	+	V471-002480	1	FUEL PIPE			
6	+	V137-000090	1	GROMMET			
7	+	V490-000500	2	CLIP			
8		V490-000500	1	CLIP			
9		A369-000101	1	FUEL FILTER SUB ASSY			
10		A356-000050	1	VALVE,CHECK			
11		V471-002490	1	PIPE			
12		V186-000210	1	JOINT			
13		V420-002510	2	TANK CUSHION			
14		V420-002520	1	TANK CUSHION			
15		A175-000210	1	TANK GUARD			
16		V203-000591	4	BOLT,5	M5X16 WSW		
17		V490-000500	2	CLIP			

## 8. MUFFLER



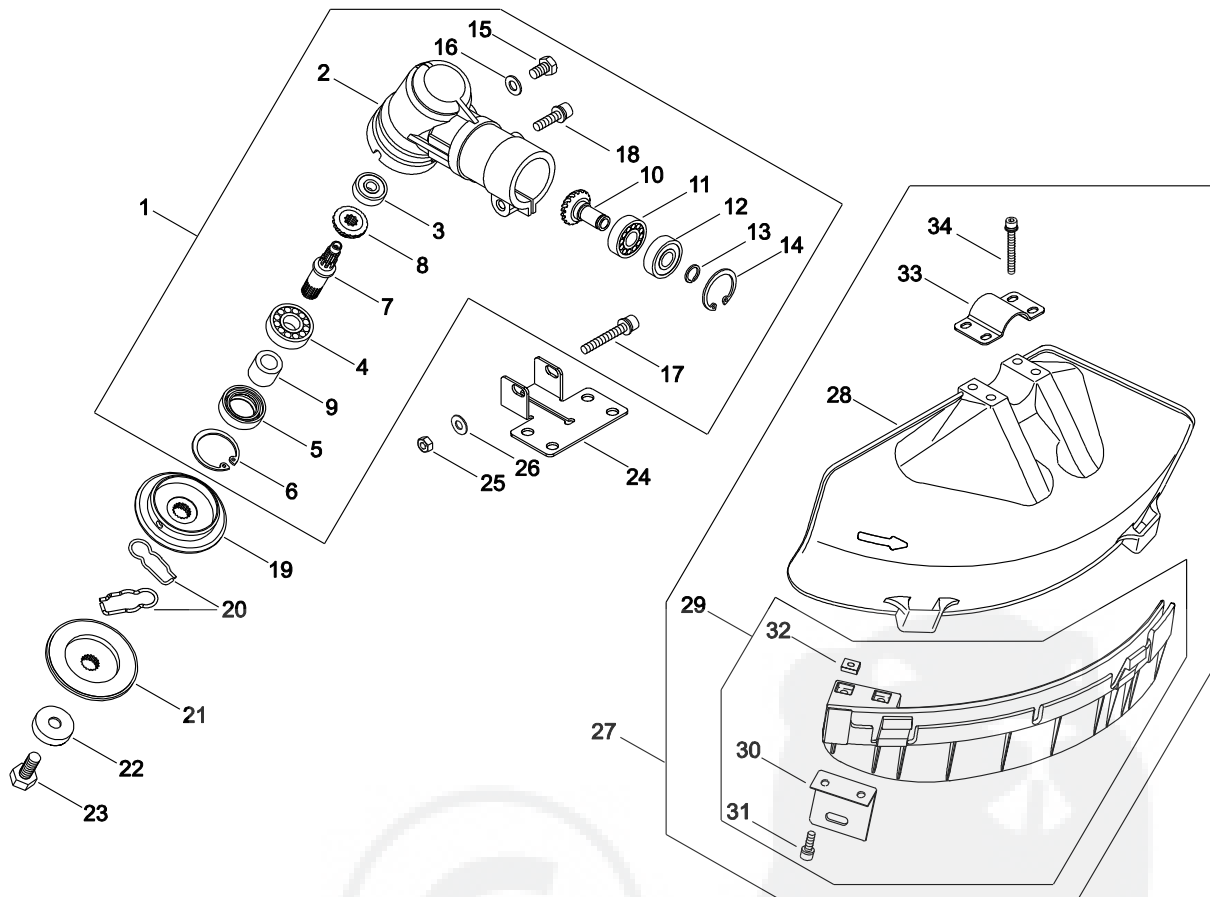
KEY	LV	PART NUMBER	Q'TY	DESCRIPTION	REMARKS	NOTE1	NOTE2
1		A320-000780	1	MUFFLER COVER			
2		V203-000591	1	BOLT,5	M5X16 WSW		
3		A030-000270	1	MUFFLER ASSY			
4	+	A300-001140	1	MUFFLER			
5	+	A313-001300	1	TAIL PIPE			
6	+	V104-001350	1	GASKET			
7	+	V252-000180	2	SCREW PM SPW			
8		V104-001360	1	GASKET MUFFLER			
9		900105-06025	2	BOLT, H.S. 6*25	6*25		
10		V203-000591	1	BOLT,5	M5X16 WSW		
11		V203-000611	1	BOLT,5	M5X45 WSW		

## 9. RECOIL STARTER, PULLY



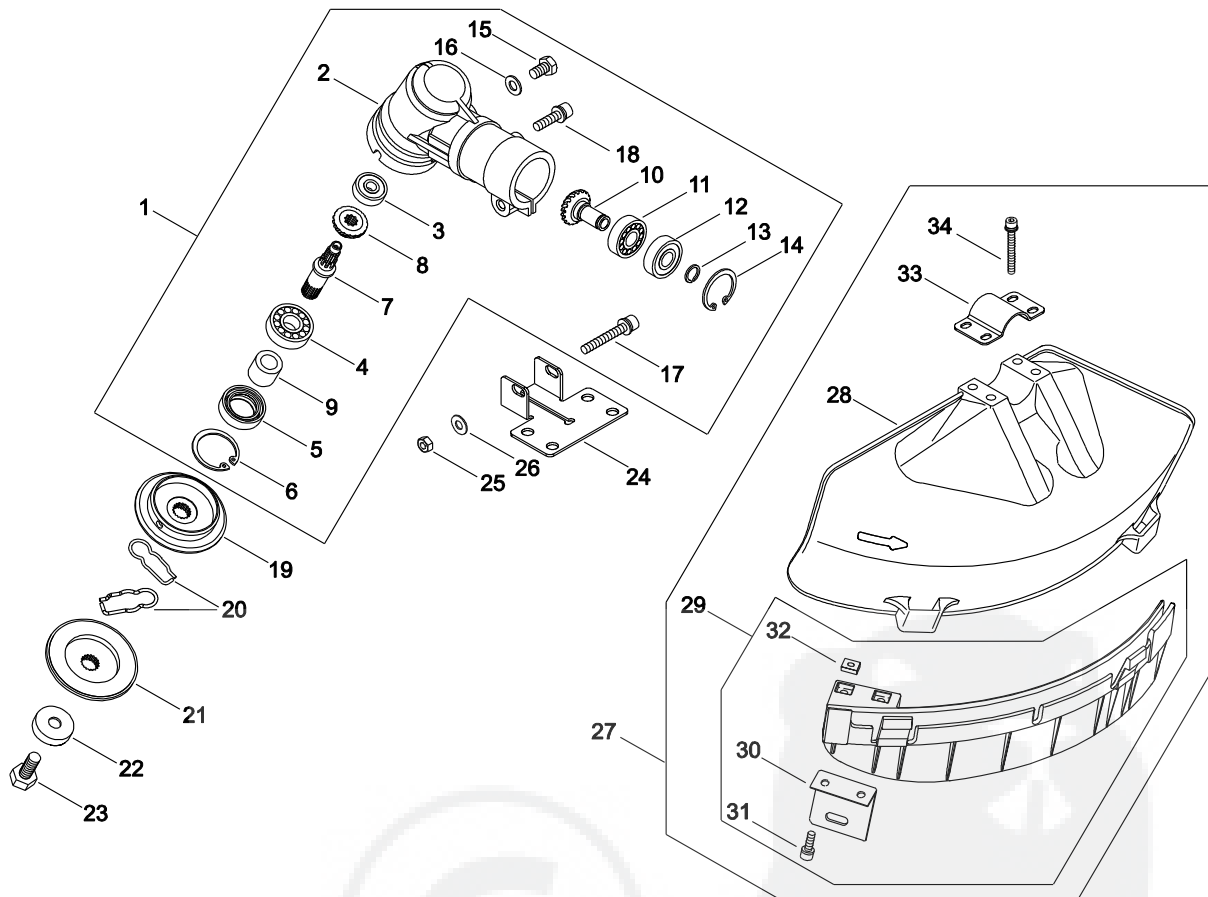
KEY	LV	PART NUMBER	Q'TY	DESCRIPTION	REMARKS	NOTE1	NOTE2
1		A051-002890	1	RECOIL STARTER ASSY			
2	+	A500-000860	1	RECOIL CASE			
3	+	A506-000260	1	REEL			
4	+	A504-000130	1	RECOIL SPRING			
5	+	A509-000180	1	ROPE			
6	+	A511-000210	1	KNOB RECOIL			
7	+	A522-000040	1	STOPPER			
8	+	V253-000560	1	SCREW			
9	+	V303-000150	1	WASHER			
10		A052-000380	1	STARTER PULLY ASSY			
11	+	A520-000160	1	STARTER PULLY			
12	+	A514-000120	1	RACHET			
13	+	V452-000520	1	RETURN SPRING			
14	+	V583-000140	1	RING			
15		V105-000020	1	GASKET			
16		V203-000631	4	BOLT,5	M5X25 WSW		
17		V266-000070	1	NUT			
18		X504-007550	1	LABEL,BRAND	SHINDAIWA B530		

## 10. GEAR CASE, SHIELD



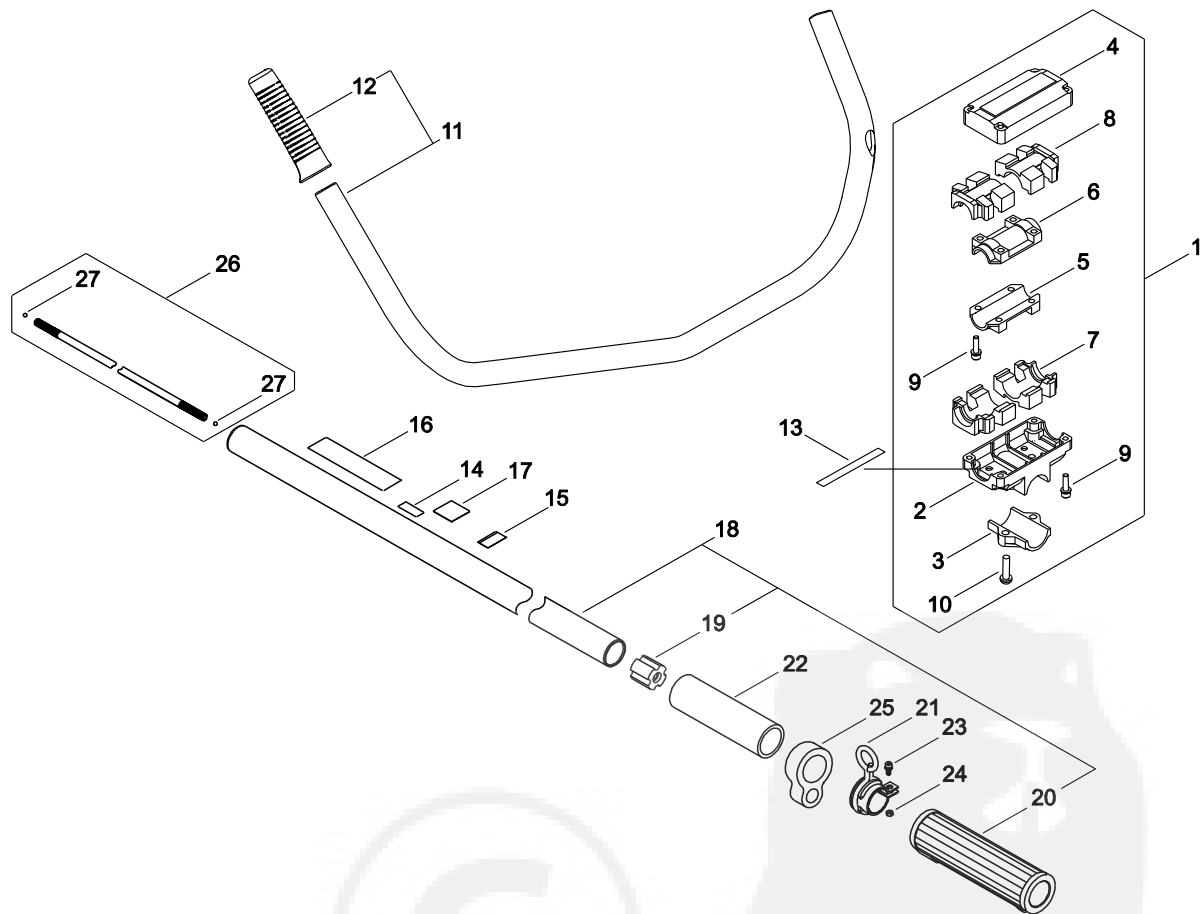
KEY	LV	PART NUMBER	QTY	DESCRIPTION	REMARKS	NOTE1	NOTE2
1		C051-001210	1	CASE,GEAR	B450EC1		
2	+	C531-000980	1	CASE,GEAR			
3	+	900802-06000	1	BEARING, BALL 6000	6000DDU(LLU)		
4	+	900810-06202	1	BEARING, BALL 6202	6202		
5	+	V513-000000	1	OIL SEAL			
6	+	92424-35000	1	SNAP RING			
7	+	C534-000910	1	SHAFT, GEAR			
8	+	V651-000540	1	BEVEL GEAR			
9	+	V358-000130	1	COLLAR			
10	+	V651-000550	1	PINION SET			
11	+	900800-06001	1	BEARING, BALL 6001			
12	+	900804-06001	1	BEARING, BALL 6001ZZ	6001ZZ		
13	+	900706-00012	1	CIRCLIP 12	WR-12		
14	+	92424-28000	1	SNAP RING			
15	+	V206-000250	1	BOLT			
16	+	V307-000230	1	GASKET			
17	+	V204-000450	1	BOLT SPW			
18	+	V204-000740	1	BOLT SPW			
19		C535-000770	1	HOLDER A			
20		V641-000140	2	PIN,SNAP			
21		C535-000800	1	HOLDER			
22		C535-000790	1	FIXTURE, BLADE			
23		V206-000530	1	BOLT,10			
24		C551-000110	1	LOWER CLAMP			
25		900500-00006	1	NUT 6	6		

## 10. GEAR CASE, SHIELD



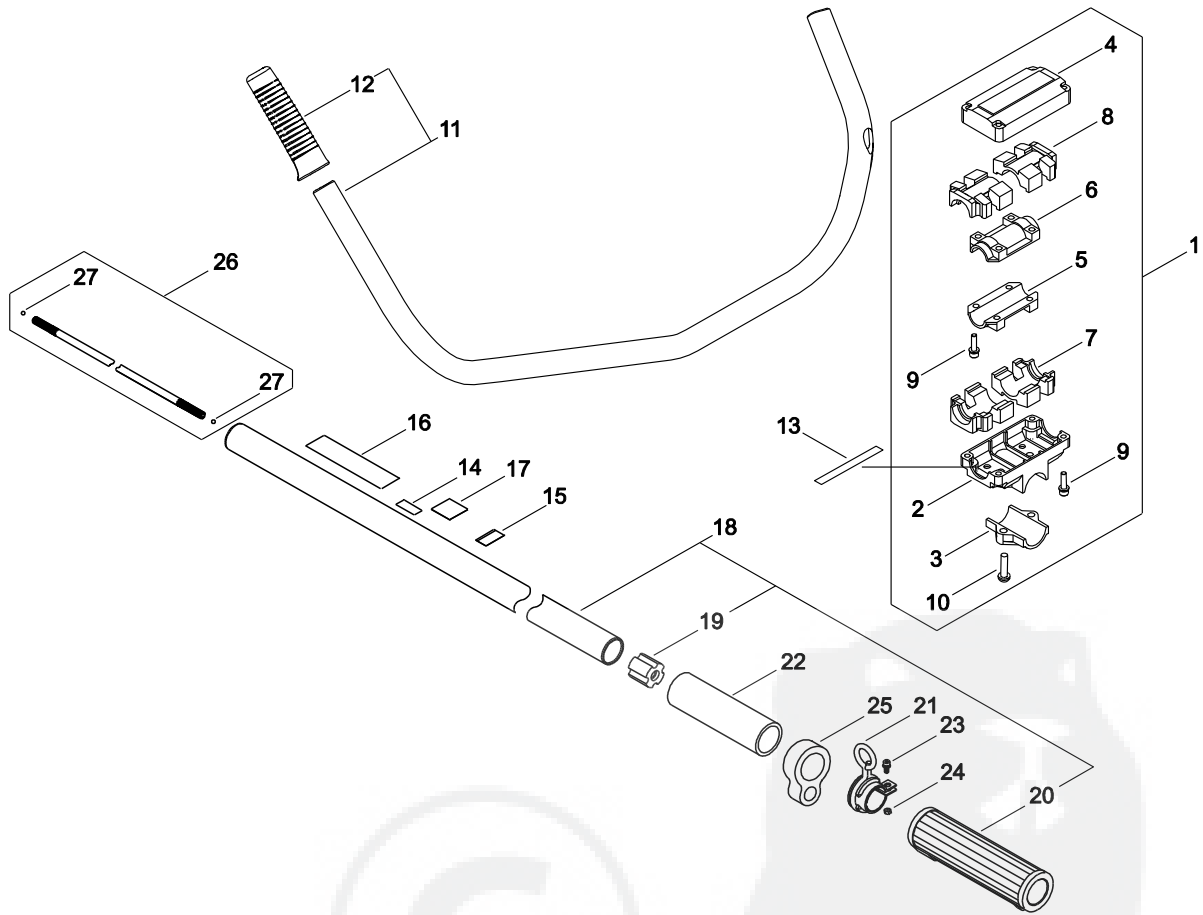
KEY	LV	PART NUMBER	Q'TY	DESCRIPTION	REMARKS	NOTE1	NOTE2
26		900603-00006	1	WASHER 6	6.5*13*1		
27		P021-028931	1	GUARD SET			
28	+	C550-000430	1	GUARD			
29	+	P021-028451	1	SUB GUARD ASSY			
30	++	C554-000040	1	CUTTER			
31	++	91122-05016	2	BOLT	CB-5*16 SW		
32	++	V263-000130	2	NUT			
33	+	C551-000060	1	UPPER CLAMP			
34	+	V203-000611	4	BOLT,5	M5X45 WSW		

## 11. MAIN PIPE, HANDLE



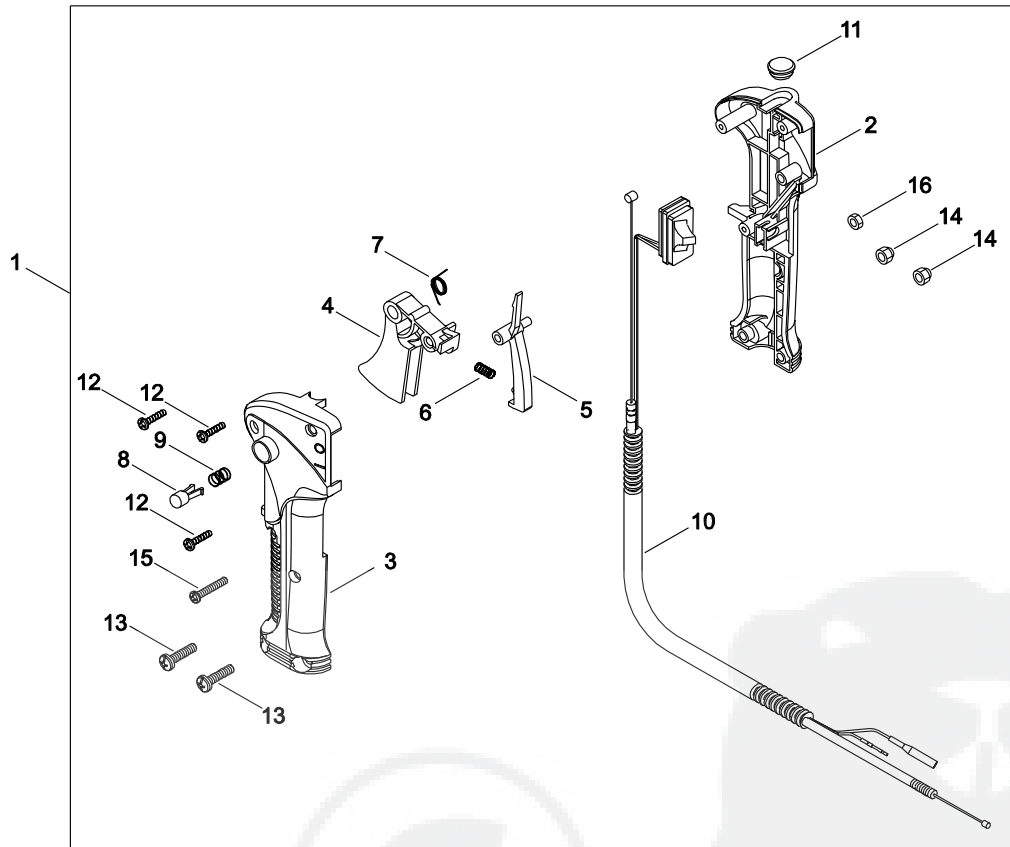
KEY	LV	PART NUMBER	Q'TY	DESCRIPTION	REMARKS	NOTE1	NOTE2
1		P021-033251	1	BRACKET COMP			
2	+	C423-000710	1	HANDLE BRACKET			
3	+	C423-000730	1	LOWER CAP			
4	+	C423-000750	1	UPPER CAP			
5	+	C423-000760	1	LOWER CLAMP			
6	+	C423-000770	1	UPPER CLAMP			
7	+	V420-002460	2	LOWER CUSHION			
8	+	V420-002470	2	UPPER CUSHION			
9	+	V203-000631	8	BOLT,5	M5X25 WSW		
10	+	91142-06025	2	SCREW BUTTON			
11		P021-035440	1	HANDLE SUB ASSY			
12	+	C403-000420	1	GRIP			
13		A430-000000	1	EARTH CORD			
14		X517-000140	1	LABEL CAUTION			
15		X524-002380	1	HANDLE LABEL			
16		890617-43130	1	LABEL,CAUTION			
17		X508-000260	1	LABEL DECIBEL			
18		P021-028610	1	OUTER PIPE SUB ASSY			
19	+	C501-000090	5	BUSHING			
20	+	C412-000450	1	PROTECTOR			
21		C063-000030	1	HANGER			
22		V364-000050	1	PROTECTOR			
23		V203-000701	1	BOLT,5	M5X12 WSW		
24		900500-00005	1	NUT 5	5		
25		C487-000280	1	BAND			

# 11. MAIN PIPE, HANDLE



KEY	LV	PART NUMBER	Q'TY	DESCRIPTION	REMARKS	NOTE1	NOTE2
26		C504-000740	1	MAIN SHAFT SUB ASSY			
27	+	V585-000040	2	STOPPER			

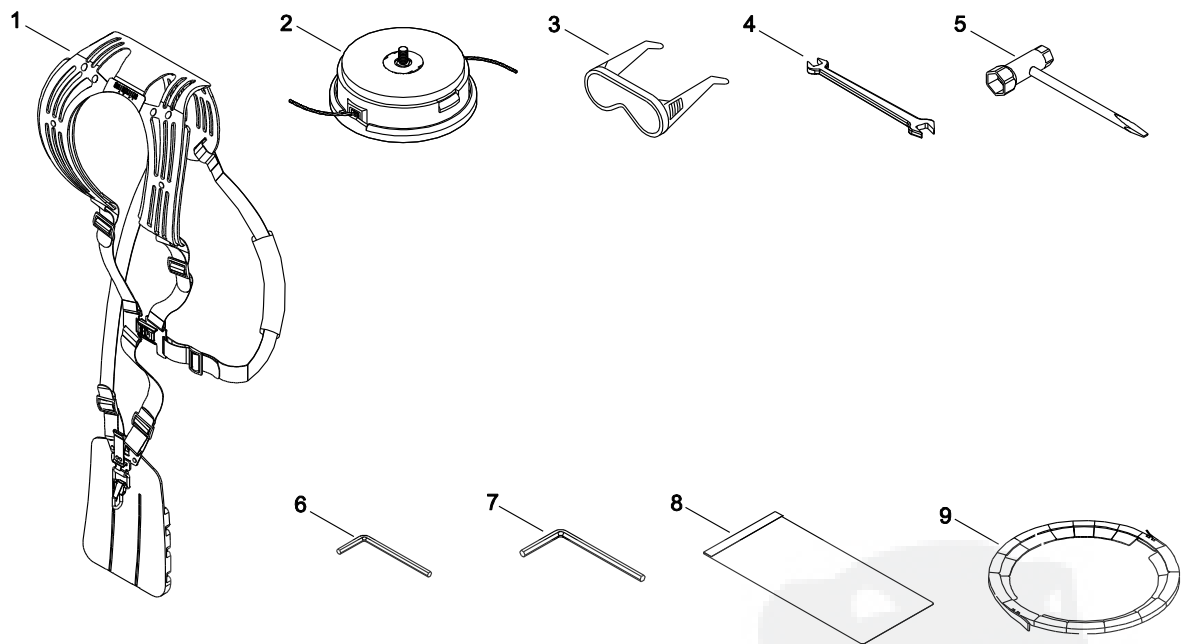
## 12. THROTTLE



KEY	LV	PART NUMBER	Q'TY	DESCRIPTION	REMARKS	NOTE1	NOTE2
1		C044-000882	1	CONTROL, THROTTLE	B450/B530/C350		
2	+	C412-000430	1	BODY RIGHT			
3	+	C412-000441	1	GRIP, HANDLE			
4	+	C450-000581	1	CONTROL, THROTTLE			
5	+	C460-000241	1	LOCKOUT, THROTTLE			
6	+	V450-001020	1	COIL SPRING			
7	+	V452-000690	1	COIL SPRING			
8	+	C461-000080	1	BUTTON			
9	+	V450-001010	1	COIL SPRING			
10	+	V043-000540	1	THROTTLE CABLE			
11	+	V162-000410	1	PLUG			
12	+	V252-000360	3	SCREW TAPPING			
13	+	91335-05022	2	SCREW	SRB-5*22		
14	+	92114-05000	2	NUT, LOCK	M5		
15	+	V252-000090	1	SCREW			
16	+	V262-000100	1	NUT			

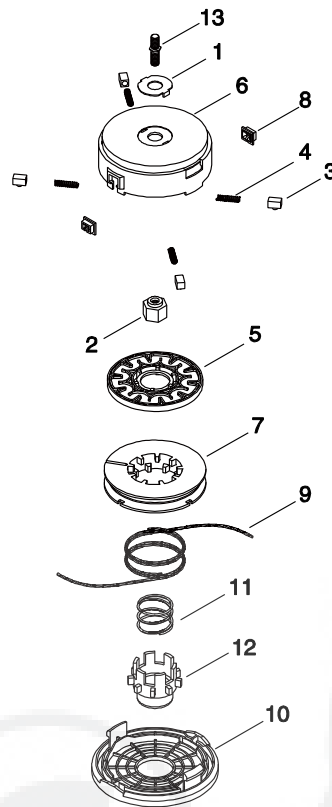


## 13. ACCESSORIES



KEY	LV	PART NUMBER	Q'TY	DESCRIPTION	REMARKS	NOTE1	NOTE2
1		C062-000430	1	HARNESS ASSY			
2		X047-000600	1	CUTTER,ASM LINE	SEMI-AUTOMATIC		
3		X690-000080	1	GOGGLE	SI CHINA, Z87.1		
4		X600-000020	1	SPANNER			
5		X602-000140	1	WRENCH 17X19			
6		X605-000100	1	TOOL,L WRENCH	4MM M5		
7		X605-000070	1	HEXA WRENCH 6MM			
8		X705-000180	1	TOOL BAG			
9		P021-034750	1	BLADE COVER			

## 14. NYLON LINE CUTTER



KEY	LV	PART NUMBER	Q'TY	DESCRIPTION	REMARKS	NOTE1	NOTE2
		X047-000600	1	CUTTER,ASM LINE	SEMI-AUTOMATIC		
1	+	P022-023160	1	SPACER			
2	+	P022-035010	1	NUT			
3	+	P022-035270	4	SLIDE CAM			
4	+	P022-035280	4	COIL SPRING			
5	+	P022-035290	1	GEAR PLATE			
6	+	P022-035300	1	HOUSING			
7	+	P022-035310	1	BOBBIN			
8	+	P022-000710	2	EYELET			
9	+	P022-035320	2	NYLON CORD			
10	+	P022-035330	1	COVER			
11	+	P022-035340	1	COIL SPRING			
12	+	P022-035350	1	KNOB			
13	+	P022-035360	1	BOLT			

**Index**

<b>Patrs Number</b>	<b>Key No.</b>	<b>Patrs Number</b>	<b>Key No.</b>	<b>Patrs Number</b>	<b>Key No.</b>
124111-05810	6 - 5	93115-03010	3 - 2	A575-000440	4 - 16
124113-05910	6 - 2	A011-000840	1 - 1	C044-000882	12 - 1
124114-11120	6 - 6	A021-002580	5 - 5	C051-001210	10 - 1
124115-11120	6 - 8	A021-002580	6 -	C062-000430	13 - 1
124158-13410	6 - 4	A023-000160	5 - 12	C063-000030	11 - 21
124159-05530	6 - 15	A030-000270	8 - 3	C403-000420	11 - 12
124160-11120	6 - 14	A033-000330	7 - 2	C412-000430	12 - 2
124174-11120	6 - 3	A051-002890	9 - 1	C412-000441	12 - 3
124321-50430	6 - 25	A052-000380	9 - 10	C412-000450	11 - 20
124331-49930	6 - 29	A056-000451	4 - 1	C423-000710	11 - 2
124332-21330	6 - 27	A100-000680	1 - 6	C423-000730	11 - 3
124355-21330	6 - 16	A101-000370	1 - 7	C423-000750	11 - 4
124361-12710	6 - 21	A120-000370	2 - 2	C423-000760	11 - 5
124362-12710	6 - 19	A120-000380	2 - 6	C423-000770	11 - 6
124363-12710	6 - 18	A130-001780	1 - 2	C450-000581	12 - 4
124364-12710	6 - 20	A160-001651	1 - 12	C460-000241	12 - 5
124367-55430	6 - 12	A172-001270	4 - 9	C461-000080	12 - 8
124374-55430	6 - 37	A175-000210	7 - 15	C482-000070	5 - 10
124380-12710	6 - 33	A200-000680	5 - 1	C487-000280	11 - 25
159010-10130	3 - 12	A226-000680	5 - 15	C501-000090	11 - 19
890617-43130	11 - 16	A232-000880	5 - 19	C504-000740	11 - 26
900105-05025	1 - 4	A244-000180	5 - 17	C531-000980	10 - 2
900105-05030	2 - 9	A300-001140	8 - 4	C534-000910	10 - 7
900105-05035	1 - 5	A313-001300	8 - 5	C535-000770	10 - 19
900105-05075	5 - 22	A320-000780	8 - 1	C535-000790	10 - 22
900105-06025	8 - 9	A350-001370	7 - 1	C535-000800	10 - 21
900500-00005	11 - 24	A356-000050	7 - 10	C550-000430	10 - 28
900500-00006	10 - 25	A369-000101	7 - 9	C551-000060	10 - 33
900503-00010	3 - 3	A409-000650	3 - 1	C551-000110	10 - 24
900603-00006	10 - 26	A411-000790	3 - 5	C554-000040	10 - 30
900605-00004	3 - 8	A426-000040	3 - 11	P004-000590	6 - 35
900605-00005	5 - 23	A427-000060	3 - 10	P004-001000	6 - 24
900605-00010	3 - 4	A429-000120	1 - 13	P004-001350	6 - 26
900706-00012	10 - 13	A430-000000	11 - 13	P004-001640	6 - 1
900800-06001	10 - 11	A500-000860	9 - 2	P004-001660	6 - 28
900802-06000	10 - 3	A504-000130	9 - 4	P004-001720	6 - 34
900804-06001	10 - 12	A506-000260	9 - 3	P004-002680	6 - 10
900810-06202	10 - 4	A509-000180	9 - 5	P004-002690	6 - 11
900810-36202	2 - 3	A511-000210	9 - 6	P004-002700	6 - 22
900810-36202	2 - 7	A514-000120	9 - 12	P004-002710	6 - 23
900812-06202	4 - 12	A520-000160	9 - 11	P004-002720	6 - 13
91100-04024	3 - 7	A522-000040	9 - 7	P004-002730	6 - 9
91122-05016	10 - 31	A551-000120	4 - 5	P004-002980	6 - 31
91142-06025	11 - 10	A552-000121	4 - 2	P004-003000	6 - 30
91335-05022	12 - 13	A555-000130	4 - 3	P004-003010	6 - 32
92114-05000	12 - 14	A556-001600	4 - 11	P004-003250	6 - 36
92424-28000	10 - 14	A557-000120	4 - 6	P004-003280	6 - 17
92424-35000	4 - 14	A566-000150	4 - 4	P004-003330	6 - 7
92424-35000	10 - 6	A570-000200	4 - 10	P021-027760	2 - 1

**Index**

<b>Patrs Number</b>	<b>Key No.</b>	<b>Patrs Number</b>	<b>Key No.</b>	<b>Patrs Number</b>	<b>Key No.</b>
P021-027770	2 - 5	V203-000880	4 - 7	V508-000050	2 - 8
P021-027791	1 - 11	V204-000411	4 - 20	V513-000000	10 - 5
P021-028000	5 - 18	V204-000450	10 - 17	V556-000030	1 - 10
P021-028451	10 - 29	V204-000740	10 - 18	V580-000100	1 - 9
P021-028610	11 - 18	V206-000250	10 - 15	V583-000140	9 - 14
P021-028931	10 - 27	V206-000530	10 - 23	V583-000181	4 - 13
P021-033251	11 - 1	V252-000090	12 - 15	V585-000040	11 - 27
P021-034560	7 - 4	V252-000180	8 - 7	V609-000050	1 - 8
P021-034750	13 - 9	V252-000360	12 - 12	V641-000140	10 - 20
P021-035440	11 - 11	V253-000440	4 - 15	V651-000540	10 - 8
P021-044610	4 - 8	V253-000560	9 - 8	V651-000550	10 - 10
P022-000710	14 - 8	V262-000100	12 - 16	X047-000600	13 - 2
P022-023160	14 - 1	V263-000130	10 - 32	X047-000600	14 -
P022-035010	14 - 2	V263-000180	5 - 4	X504-007550	9 - 18
P022-035270	14 - 3	V266-000070	9 - 17	X504-007560	1 - 16
P022-035280	14 - 4	V299-000390	1 - 14	X508-000260	11 - 17
P022-035290	14 - 5	V299-000410	5 - 20	X517-000140	11 - 14
P022-035300	14 - 6	V302-000010	3 - 9	X524-002380	11 - 15
P022-035310	14 - 7	V303-000150	9 - 9	X600-000020	13 - 4
P022-035320	14 - 9	V303-000200	5 - 21	X602-000140	13 - 5
P022-035330	14 - 10	V307-000230	10 - 16	X605-000070	13 - 7
P022-035340	14 - 11	V322-000040	3 - 6	X605-000100	13 - 6
P022-035350	14 - 12	V323-000090	5 - 13	X690-000080	13 - 3
P022-035360	14 - 13	V358-000130	10 - 9	X705-000180	13 - 8
V043-000540	12 - 10	V364-000050	11 - 22		
V100-000450	1 - 3	V375-000350	4 - 21		
V103-001020	5 - 2	V420-002460	11 - 7		
V103-001030	5 - 6	V420-002470	11 - 8		
V103-001040	5 - 16	V420-002490	4 - 17		
V104-001350	8 - 6	V420-002500	4 - 18		
V104-001360	8 - 8	V420-002510	7 - 13		
V105-000020	9 - 15	V420-002520	7 - 14		
V107-000010	7 - 3	V430-002930	5 - 7		
V136-000040	3 - 13	V450-001010	12 - 9		
V137-000090	7 - 6	V450-001020	12 - 6		
V162-000410	12 - 11	V452-000520	9 - 13		
V186-000210	7 - 12	V452-000690	12 - 7		
V203-000530	5 - 14	V471-002480	7 - 5		
V203-000581	4 - 19	V471-002490	7 - 11		
V203-000581	5 - 3	V475-004500	5 - 8		
V203-000591	1 - 15	V475-004810	5 - 9		
V203-000591	7 - 16	V475-005280	3 - 14		
V203-000591	8 - 2	V485-001700	3 - 15		
V203-000591	8 - 10	V485-001710	3 - 16		
V203-000611	8 - 11	V490-000500	7 - 7		
V203-000611	10 - 34	V490-000500	7 - 8		
V203-000631	9 - 16	V490-000500	7 - 17		
V203-000631	11 - 9	V495-001530	5 - 11		
V203-000701	11 - 23	V508-000050	2 - 4		

# YAMABIKO CORPORATION

7-2 SUEHIROCHO 1-CHOME, OHME, TOKYO 198-8760, JAPAN  
PHONE: 81-428-32-6118. FAX: 81-428-32-6145.



-14C  
No. 05-164