

shindaiwa®

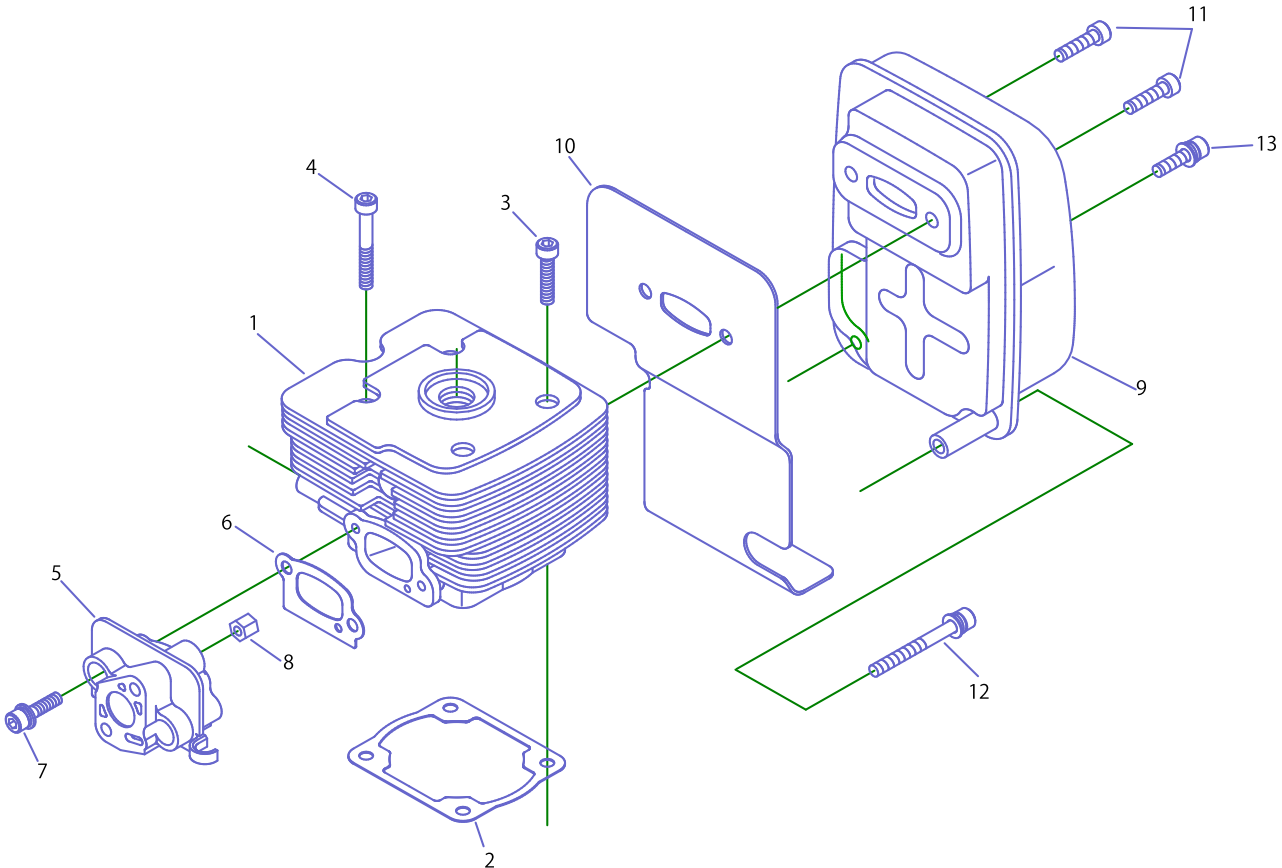
PARTS CATALOG

BRUSHCUTTER BP530/EC1(36)

36004531 -

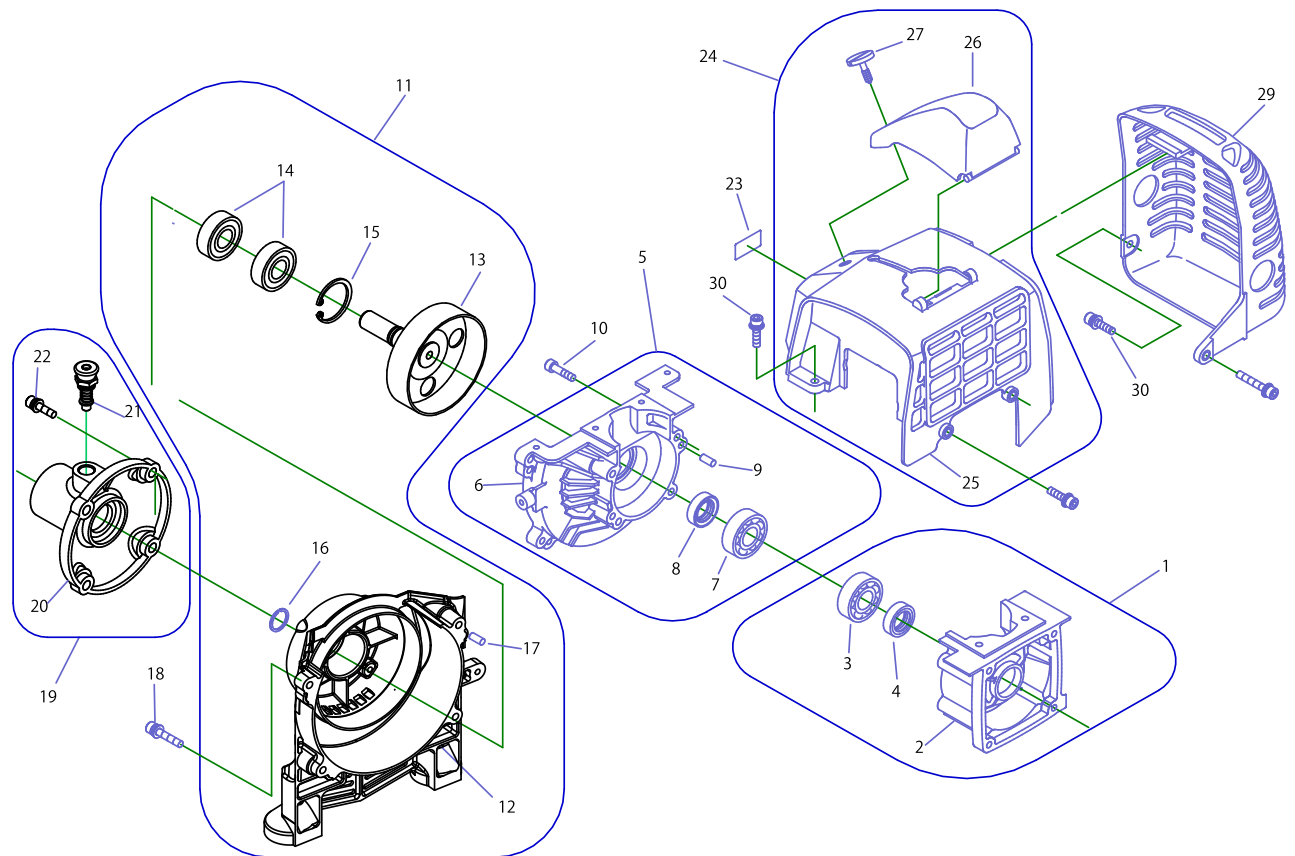
P016-000440-11Fb

1. CYLINDER, MUFFLER



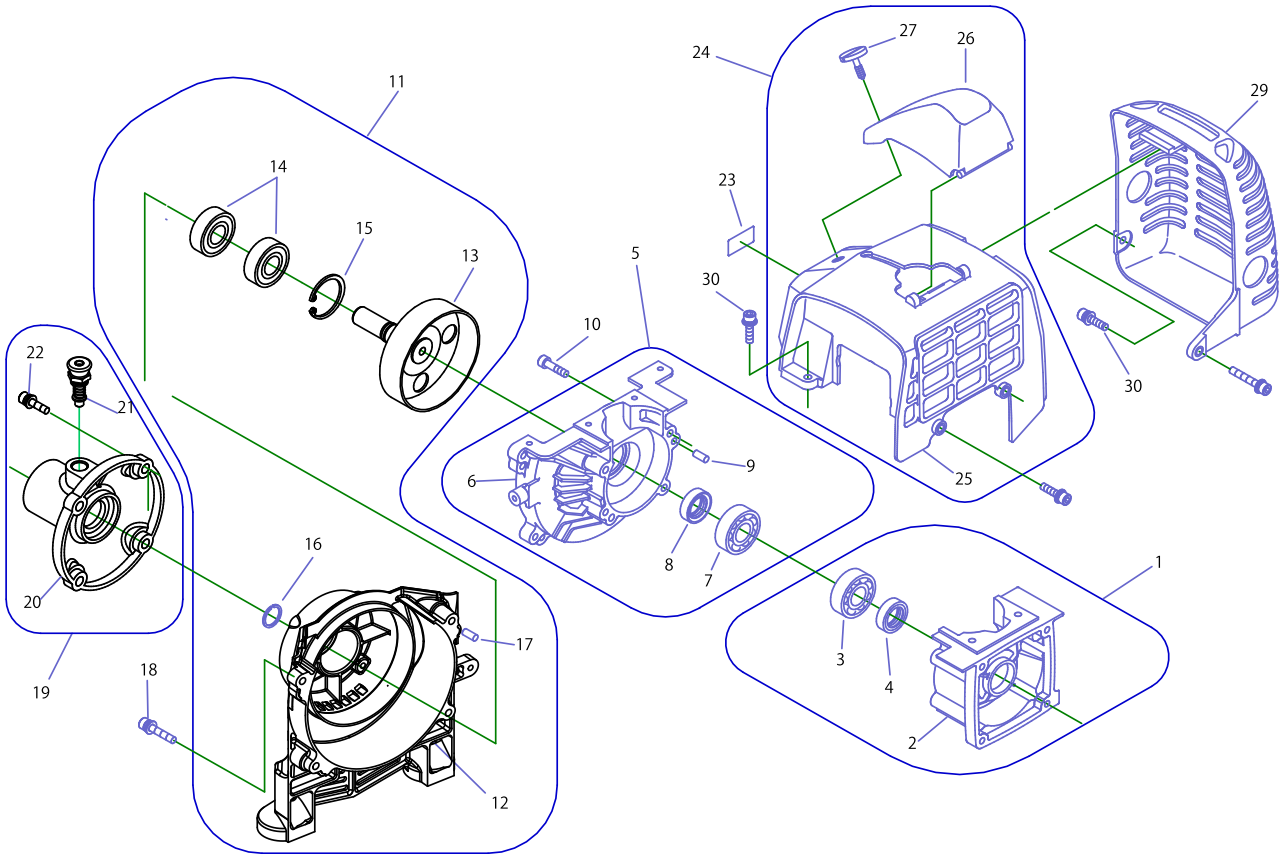
KEY	LV	PART NUMBER	Q'TY	DESCRIPTION	REMARKS	NOTE1	NOTE2
1		A130-001780	1	CYLINDER			
2		V100-000450	1	GASKET CYLINDER			
3		900105-05025	3	BOLT, H.S. 5*25	5*25		
4		900105-05035	1	BOLT, H.S. 5*35	5*35		
5		A200-000680	1	INSULATOR			
6		V103-001020	1	GASKET			
7		V203-000580	2	BOLT,5			
8		V263-000180	2	NUT			
9		A300-001210	1	MUFFLER			
10		V104-001360	1	GASKET MUFFLER			
11		900105-06025	2	BOLT, H.S. 6*25	6*25		
12		V203-000610	1	BOLT SPW			
13		V203-000590	1	BOLT SPW			

2. CRANKCASE, FAN COVER



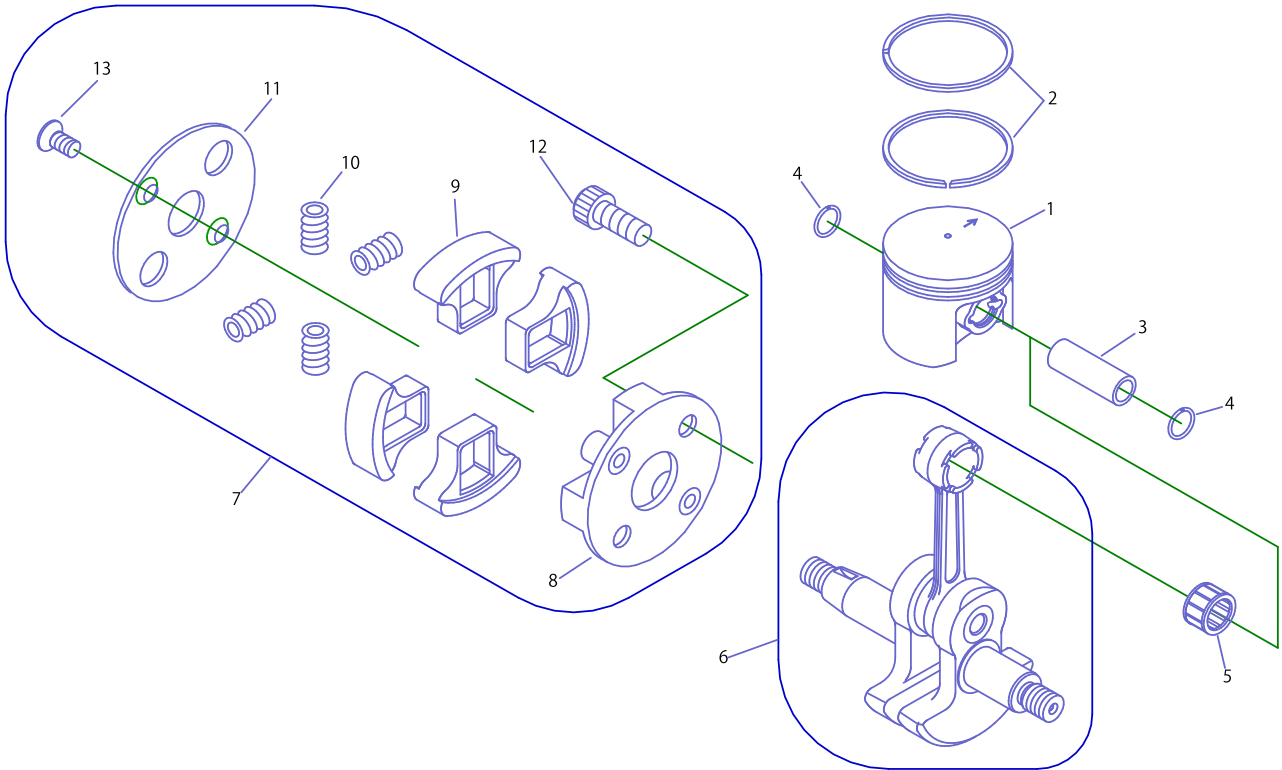
KEY	LV	PART NUMBER	Q'TY	DESCRIPTION	REMARKS	NOTE1	NOTE2
1		P021-027760	1	CRANK CASE S COMP			
2	+	A120-000370	1	CRANK CASE S			
3	+	900810-36202	1	BEARING, BALL 6202	6202/C3		
4	+	V508-000050	1	OIL SEAL			
5		P021-027770	1	CRANK CASE M COMP			
6	+	A120-000380	1	CRANK CASE M			
7	+	900810-36202	1	BEARING, BALL 6202	6202/C3		
8	+	V508-000050	1	OIL SEAL			
9	+	V623-000060	2	ROLLER			
10		900105-05030	4	BOLT, H.S. 5*30	5*30		
11		P021-027970	1	FAN COVER COMP			
12	+	A172-001330	1	FAN COVER			
13	+	A556-000920	1	CLUTCH DRUM			
14	+	900812-06202	2	BEARING, BALL 6202	6202DDU(LLU)		
15	+	92424-35000	1	SNAP RING			
16	+	V583-000181	1	RING			
17	+	V623-000060	3	ROLLER			
18		V203-000580	4	BOLT,5			
19		P021-027980	1	JOINT CASE ASSY			
20	+	A570-000210	1	JOINT CASE			
21	+	P021-018640	1	PIN COMP			
22	+	V203-000350	4	BOLT SPW			
23		X504-002930	1	LABEL TRADE			
24		P021-027790	1	CYLINDER COVER COMP			
25	+	A160-001650	1	CYLINDER COVER			
26	+	A429-000120	1	PLUG COVER			

2. CRANKCASE, FAN COVER



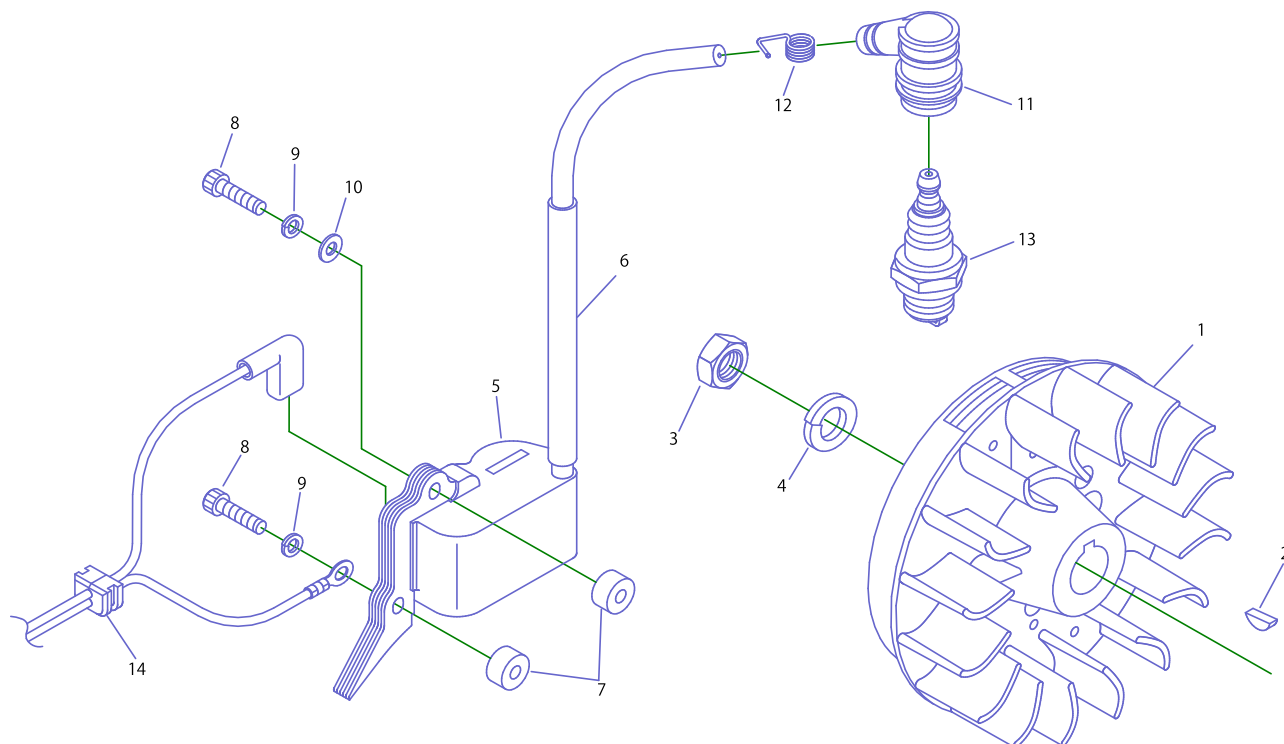
KEY	LV	PART NUMBER	Q'TY	DESCRIPTION	REMARKS	NOTE1	NOTE2
27	+	V299-000390	1	KNOB			
29		A320-000780	1	MUFFLER COVER			
30		V203-000590	3	BOLT SPW			

3. CRANKSHAFT, PISTON



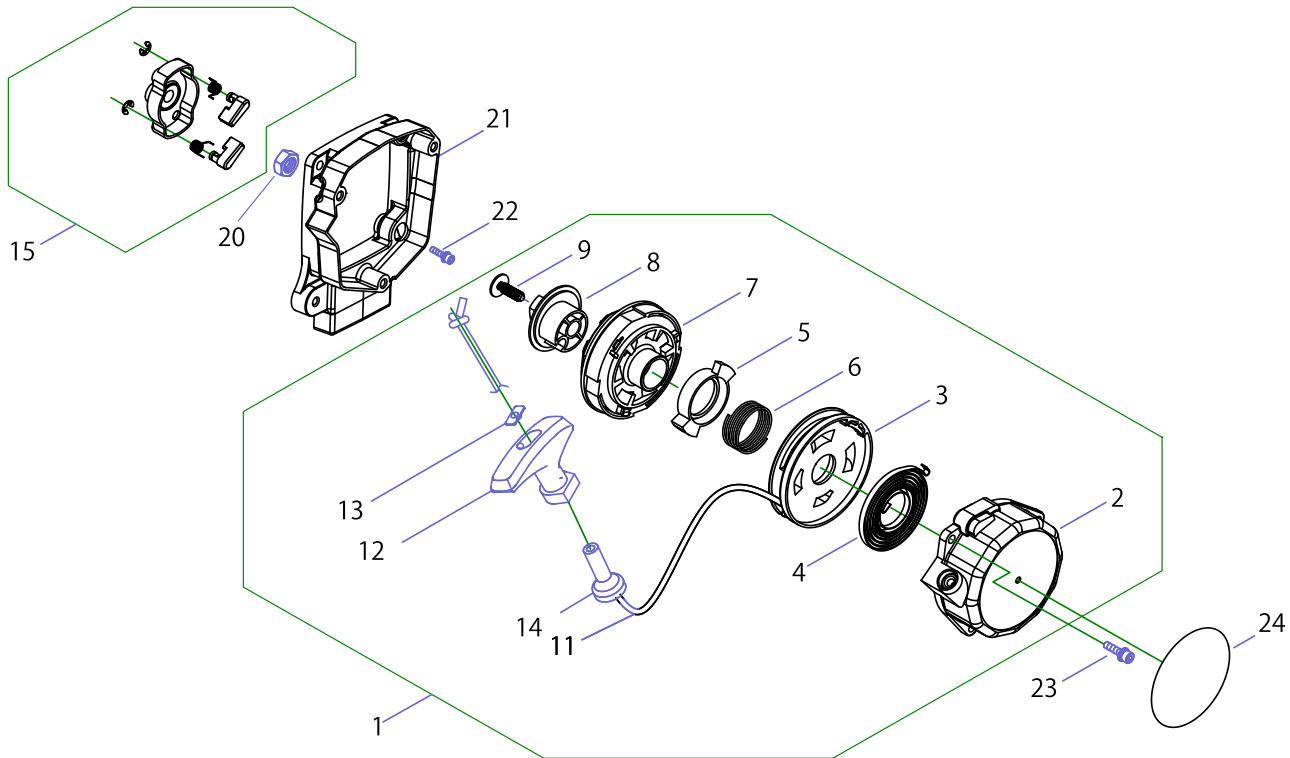
KEY	LV	PART NUMBER	Q'TY	DESCRIPTION	REMARKS	NOTE1	NOTE2
1		A100-000680	1	PISTON			
2		A101-000370	2	PISTON RING			
3		V609-000050	1	PISTON PIN			
4		V580-000100	2	SNAP RING			
5		V556-000030	1	NEEDLE BEARING			
6		A011-000840	1	CRANK SHAFT			
7		A056-000450	1	CLUTCH SHOE ASSY			
8	+	A552-000120	1	CLUTCH BOSS			
9	+	A555-000130	4	CLUTCH SHOE			
10	+	A566-000150	4	SPRING			
11	+	A551-000120	1	PLATE			
12	+	A557-000120	2	CLUTCH BOLT			
13	+	V203-000880	2	SCREW FLAT			

4. MAGNETO



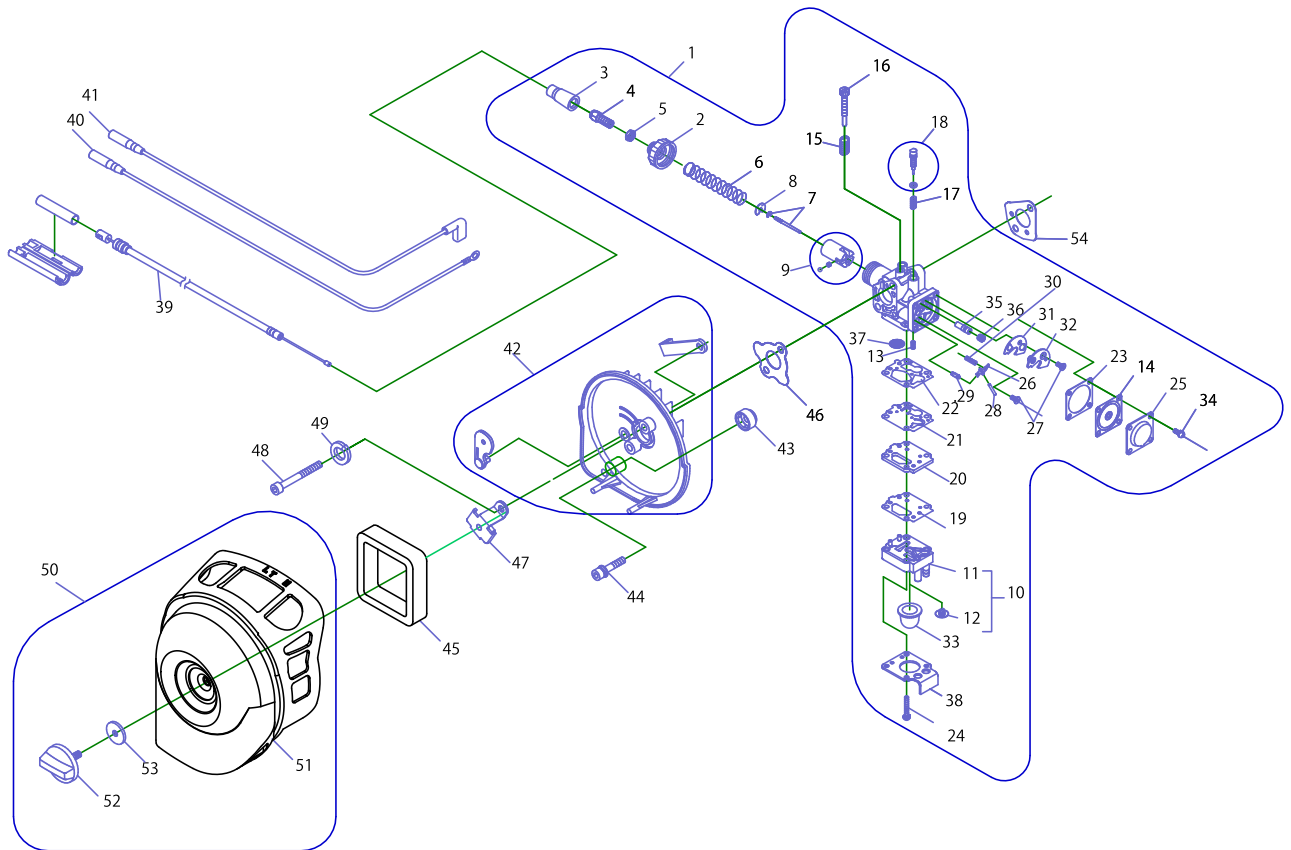
KEY	LV	PART NUMBER	Q'TY	DESCRIPTION	REMARKS	NOTE1	NOTE2
1		A409-000650	1	ROTOR			
2		93115-03010	1	KEY	3*10		
3		900503-00010	1	NUT 10 (3N *1.25)	3N10*P1.25		
4		900605-00010	1	WASHER, SPRING 10	10		
5		A411-000790	1	COIL ASSY			
6		V475-005280	1	PIPE CORD B			
7		V322-000040	2	INSULATOR			
8		91100-04024	2	BOLT			
9		900605-00004	2	WASHER, SPRING 4	4		
10		V302-000010	1	WASHER			
11		A427-000060	1	CAP, SPARK PLUG			
12		A426-000040	1	TERMINAL, SPARKPLUG			
13		159010-10130	1	PLUG, SPARK (BMR-6A)	BMR-6A		
14		V136-000040	1	GROMMET			

5. RECOIL STARTER



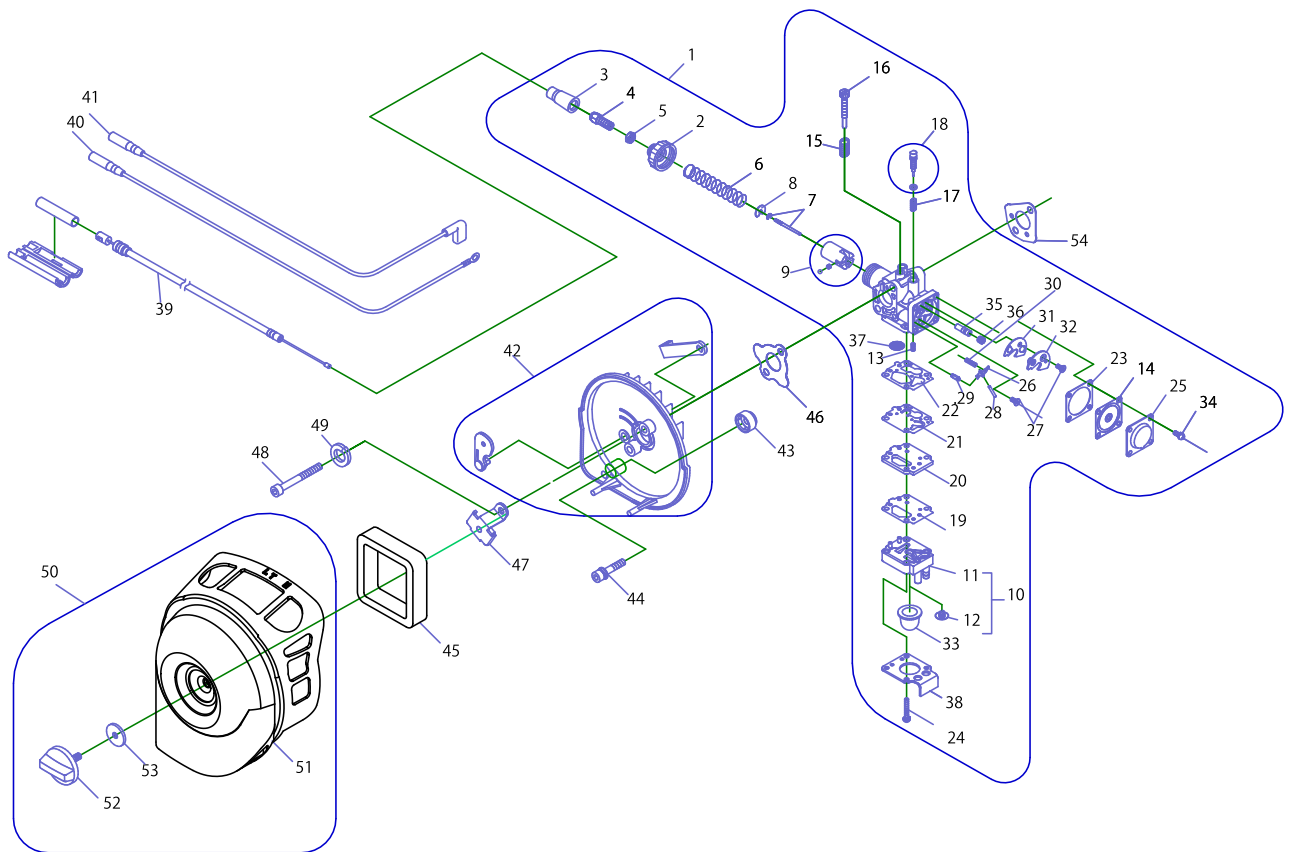
KEY	LV	PART NUMBER	Q'TY	DESCRIPTION	REMARKS	NOTE1	NOTE2
1		A050-000260	1	RECOIL STARTER ASSY			
2	+	A500-000940	1	STARTER CASE			
3	+	A506-000310	1	REEL			
4	+	A504-000160	1	RECOIL SPRING			
5	+	A514-000170	1	RATCHET			
6	+	V450-000940	1	COIL SPRING			
7	+	A053-000080	1	POWER SPRING			
8	+	C533-000120	1	CAM PLATE			
9	+	V253-000510	1	SCREW PM PW			
11	+	A509-000260	1	ROPE			
12	+	A511-000210	1	KNOB RECOIL			
13	+	A522-000040	1	STOPPER			
14	+	V353-000390	1	SPACER			
15		A052-000420	1	STARTER PULLY ASSY			
20		V266-000080	1	NUT			
21		V376-001340	1	ADAPTER			
22		V203-000630	4	BOLT SPW			
23		V203-000640	3	BOLT ADHESIVE			
24		X504-002770	1	LABEL TRADE			

6. AIR CLEANER, CARBURETOR



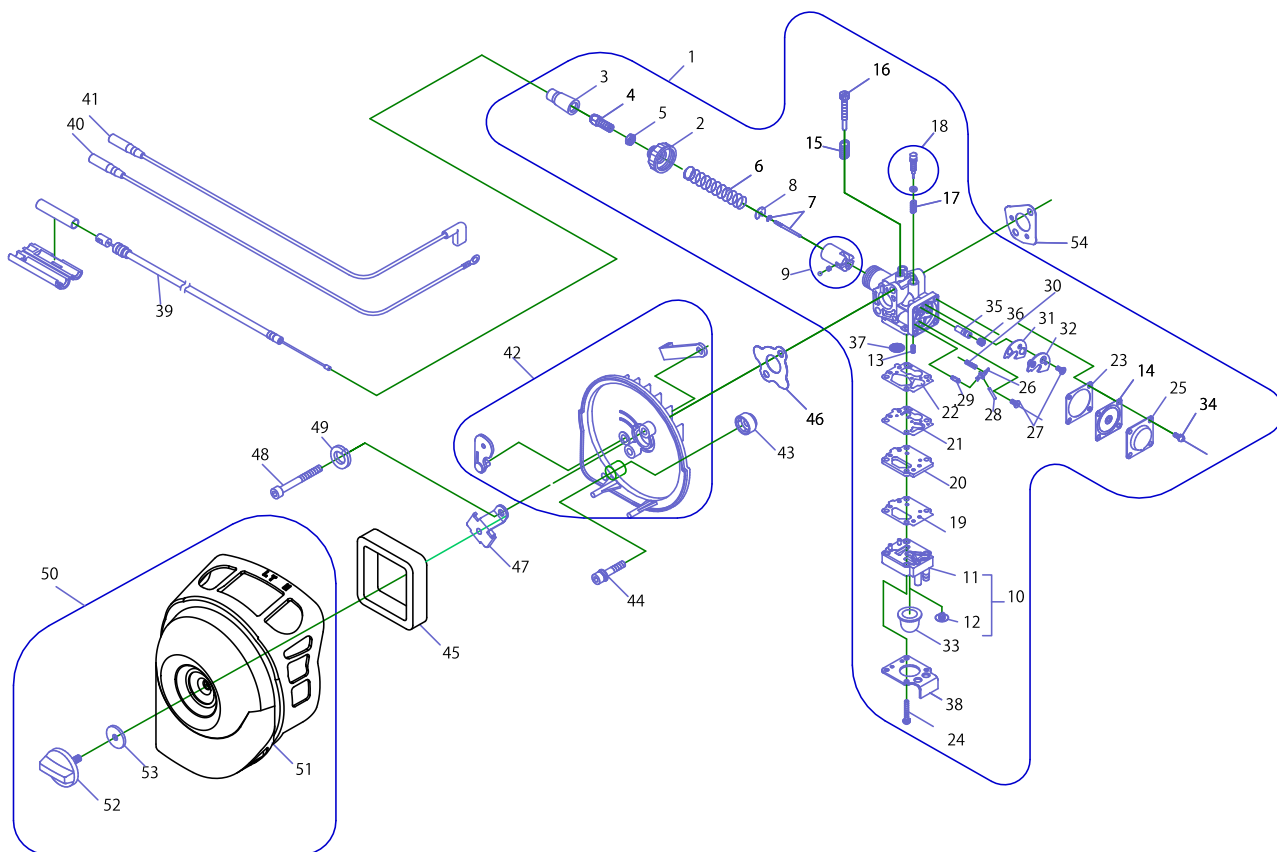
KEY	LV	PART NUMBER	Q'TY	DESCRIPTION	REMARKS	NOTE1	NOTE2
1		A021-002640	1	CARBURETOR ASSY			
2	+	62083-81310	1	BODY CAP			
3	+	A246-000020	1	CABLE CAP			
4	+	P004-003240	1	CABLE ADJUSTER			
5	+	124111-05810	1	NUT			
6	+	124114-11120	1	SPRING, THROTTLE			
7	+	62109-81320	1	JET NEEDLE			
8	+	124115-11120	1	SEAT, SPRING			
9	+	P004-002680	1	THROTTLE VALVE			
10	+	P004-002690	1	PUMP COVER ASSY			
11	++	62035-81350	1	PUMP COVER			
12	++	124374-55430	1	VALVE, CHECK			
13	+	124367-55430	1	SPRING, COIL			
14	+	P004-002720	1	DIAPHRAGM			
15	+	124355-21330	1	SPRING, ADJUSTMENT			
16	+	62109-81330	1	MAIN ADJ SCREW			
17	+	124160-11120	1	SPRING, IDLE ADJUST			
18	+	124159-05530	1	SCREW, IDLE ADJUST			
19	+	124363-12710	1	GASKET, FUEL PUMP			
20	+	124362-12710	1	PLATE,PUMP			
21	+	124364-12710	1	DIAPHRAGM, FUEL PUMP	NBR		
22	+	124361-12710	1	GASKET			
23	+	124358-61830	1	GASKET, DIAPHRAGM			
24	+	P004-002700	4	SCREW			
25	+	P004-001720	1	COVER DIAPHRAGM			
26	+	P004-001340	1	LEVER			

6. AIR CLEANER, CARBURETOR



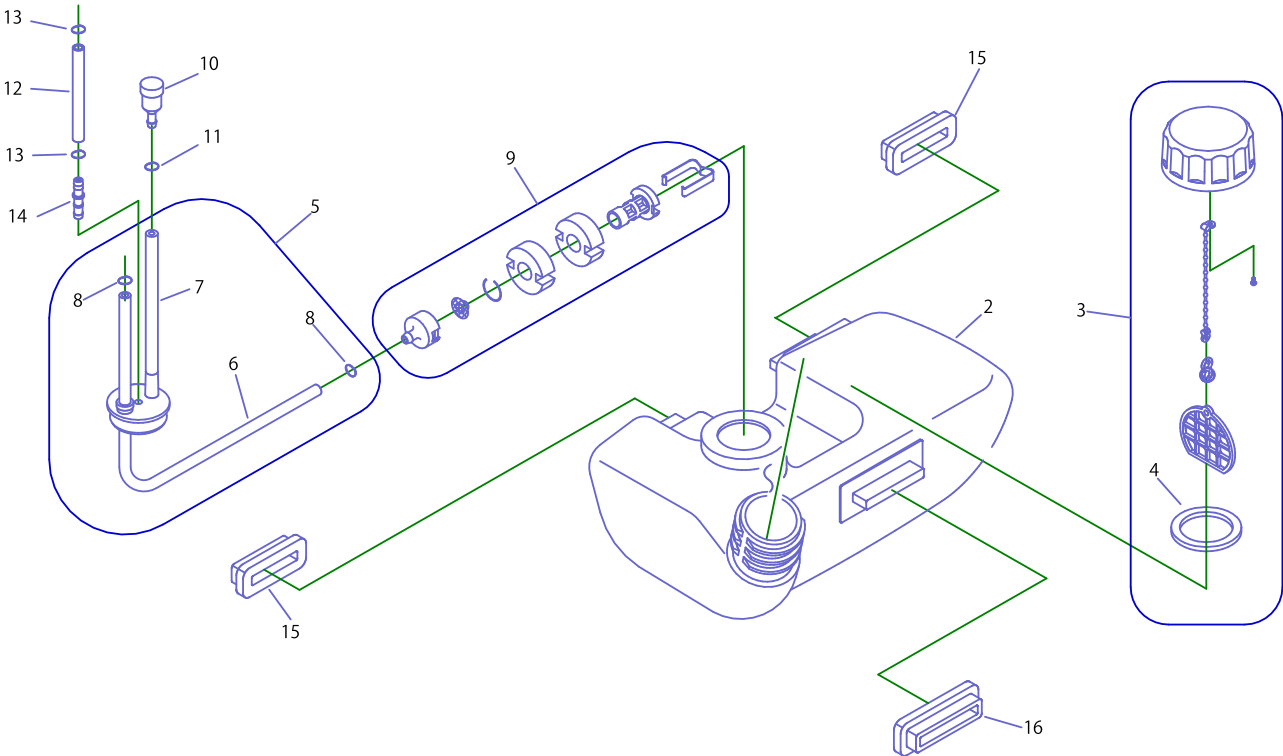
KEY	LV	PART NUMBER	Q'TY	DESCRIPTION	REMARKS	NOTE1	NOTE2
27	+	P004-001350	2	SCREW			
28	+	124332-21330	1	PIN, LEVER			
29	+	P004-001660	1	NEEDLE VALVE			
30	+	124331-49930	1	SPRING, TENSION			
31	+	P004-003000	1	PACKING			
32	+	P004-003010	1	PLATE			
33	+	124380-12710	1	PUMP, PRIMING			
34	+	P004-001000	4	SCREW			
35	+	P004-002730	1	NEEDLE JET			
36	+	P004-002980	1	HOLDER			
37	+	P004-001640	1	SCREEN			
38	+	P004-002710	1	PUMP PLATE			
39		V430-003030	1	THROTTLE CABLE			
40		V485-001870	1	LEAD WIRE			
41		V485-001350	1	LEAD WIRE			
42		A023-000160	1	CLEANER BODY COMP			
43		V323-000090	1	INSULATOR			
44		V203-000530	1	BOLT SW			
45		A226-000680	1	FILTER			
46		V103-001040	1	GASKET			
47		A244-000180	1	BACK PLATE			
48		900105-05075	2	BOLT, H.S.H	5*75		
49		900605-00005	2	WASHER, SPRING 5	5		
50		P021-028000	1	CLEANER COVER COMP			
51	+	A232-000880	1	CLEANER COVER			
52	+	V299-000410	1	KNOB			

6. AIR CLEANER, CARBURETOR



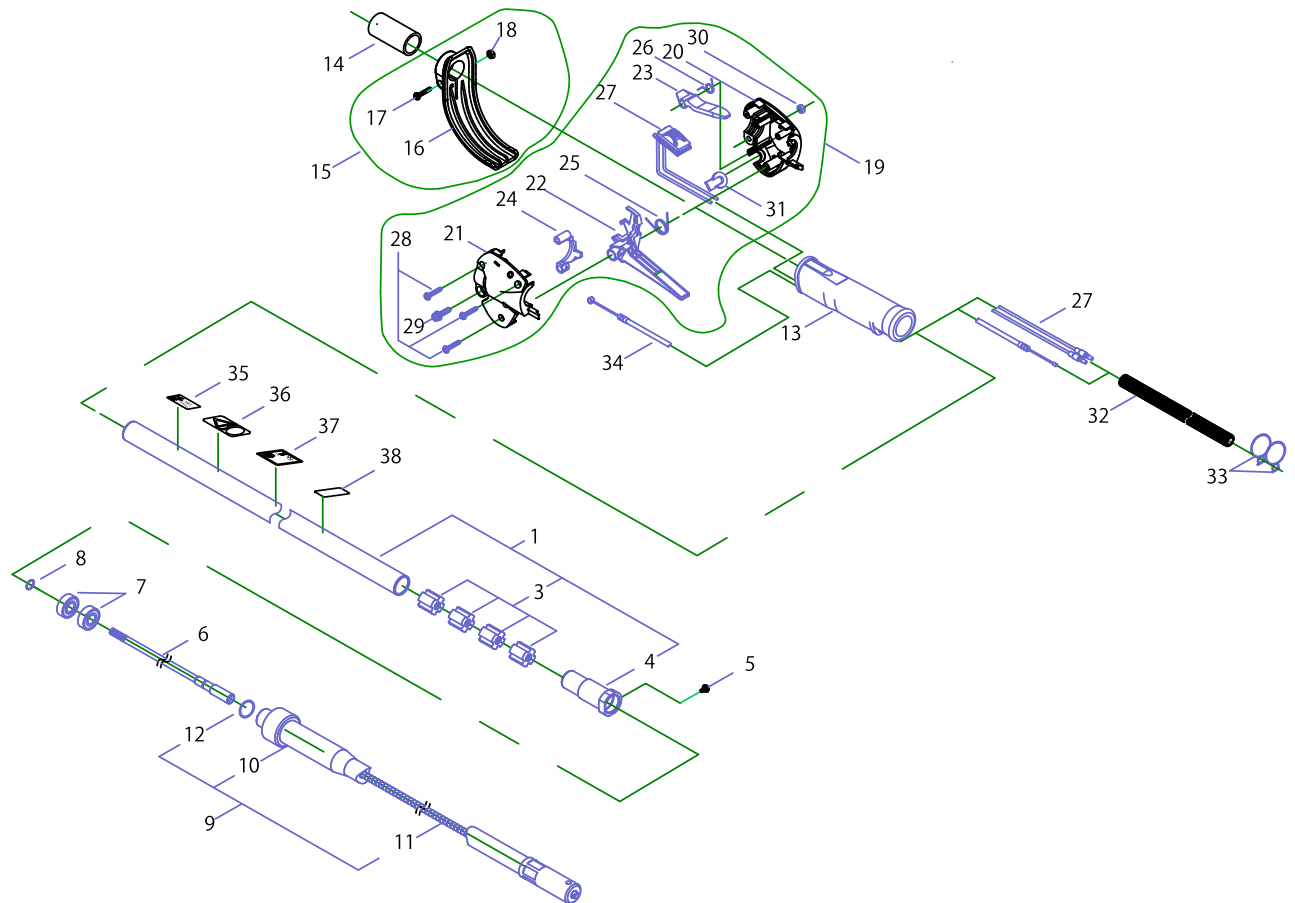
KEY	LV	PART NUMBER	Q'TY	DESCRIPTION	REMARKS	NOTE1	NOTE2
53	+	V303-000200	1	WASHER			
54		V103-001030	1	GASKET			

7. FUEL TANK



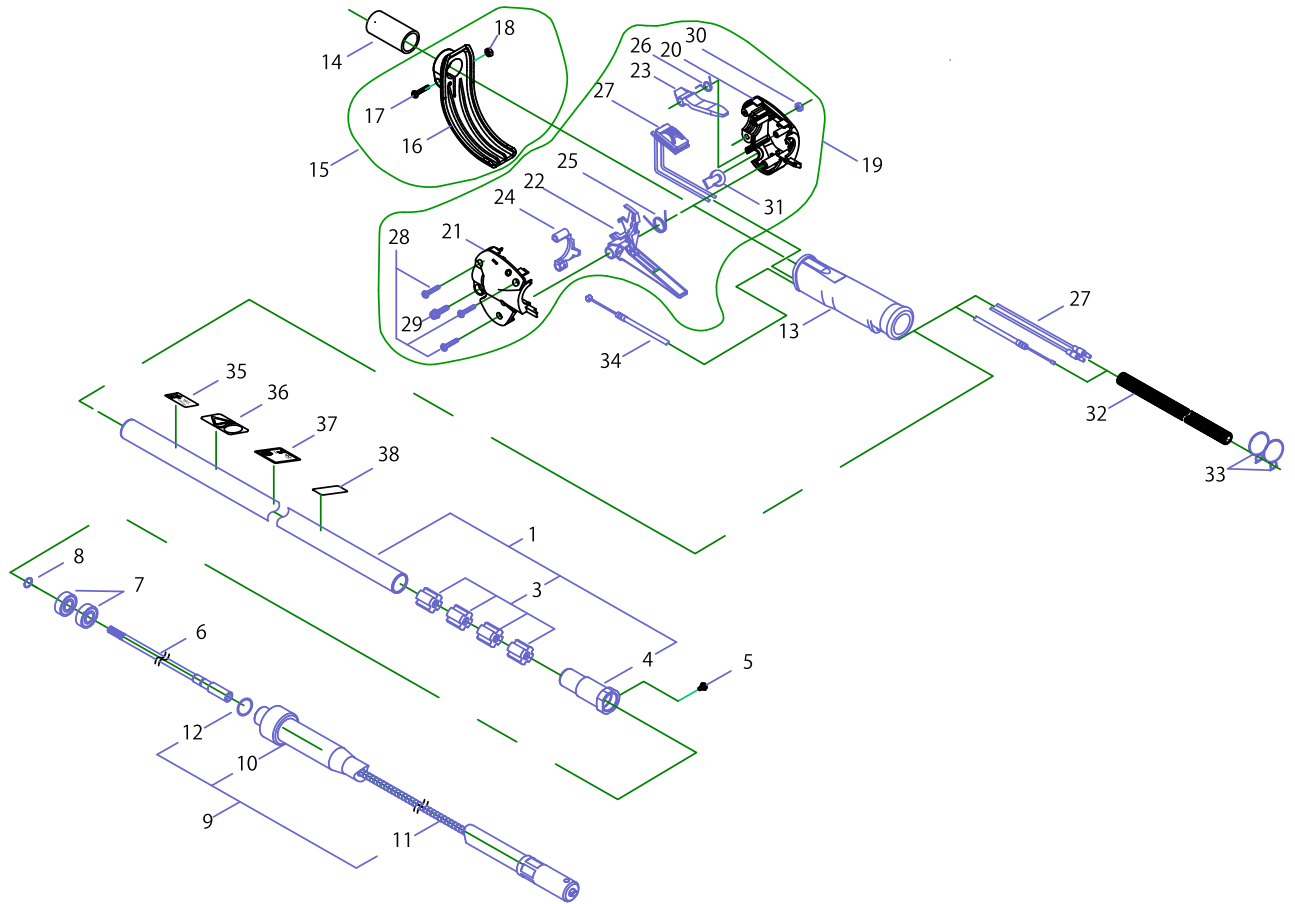
KEY	LV	PART NUMBER	Q'TY	DESCRIPTION	REMARKS	NOTE1	NOTE2
2		A350-001370	1	FUEL TANK			
3		A033-000330	1	CAP,FUEL			
4	+	V107-000010	1	GASKET			
5		P021-034560	1	FUEL PIPE ASSY			
6	+	V471-002480	1	FUEL PIPE			
7	+	V137-000090	1	GROMMET			
8	+	V490-000500	2	CLIP			
9		A369-000100	1	FUEL FILTER SUB ASSY			
10		A356-000050	1	VALVE,CHECK			
11		V490-000500	1	CLIP			
12		V471-002490	1	PIPE			
13		V490-000500	2	CLIP			
14		V186-000210	1	JOINT			
15		V420-002510	2	TANK CUSHION			
16		V420-002520	1	TANK CUSHION			

8. MAIN PIPE



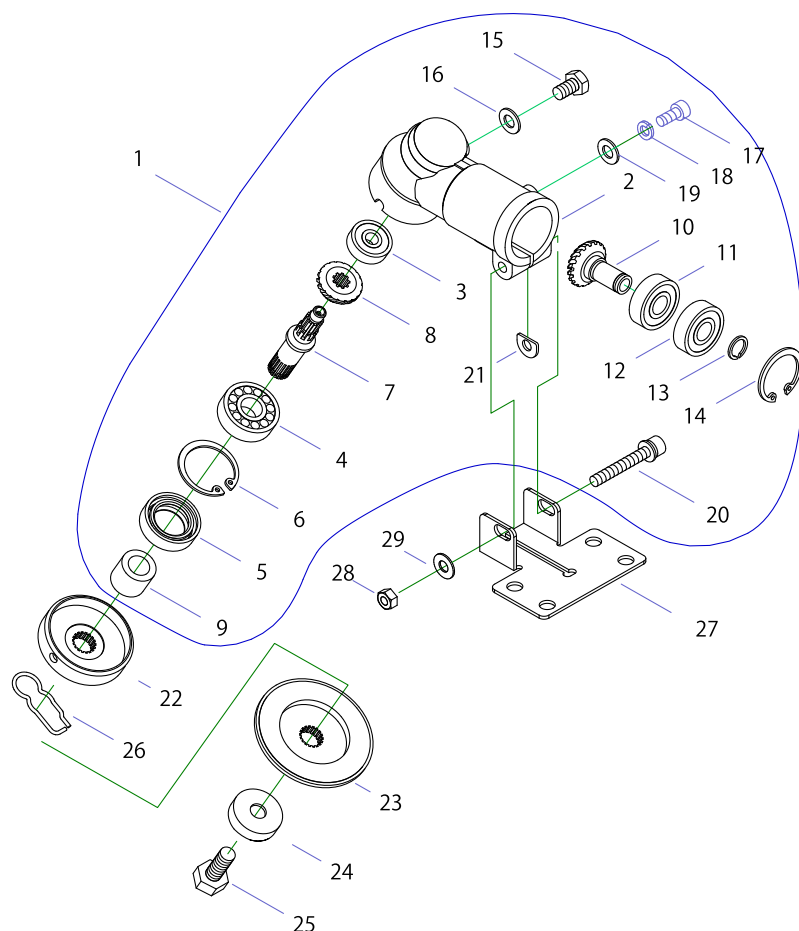
KEY	LV	PART NUMBER	Q'TY	DESCRIPTION	REMARKS	NOTE1	NOTE2
1		P021-028680	1	OUTER PIPE COMP			
3	+	C501-000050	4	BUSH			
4	+	C510-000260	1	JOINT PIPE			
5		V253-000460	1	SCREW			
6		C504-000830	1	MAIN SHAFT			
7		900859-06900	2	BEARING, BALL 6900	6900		
8		92423-10000	1	SNAP RING			
9		C057-000220	1	FLEXIBLE CABLE ASSY			
10	+	C057-000230	1	FLEXIBLE PIPE			
11	+	C506-000270	1	FLEXIBLE SHAFT			
12	+	V581-000260	1	O RING			
13		C412-000380	1	GRIP			
14		V364-000030	1	PROTECTOR			
15		P021-033080	1	GUARD ASSY			
16	+	A248-000030	1	GUARD			
17	+	91574-05025	1	SCREW PM SPW			
18	+	900500-00005	1	NUT 5	5		
19		C044-000960	1	THROTTLE LEVER ASSY			
20	+	C401-000240	1	BODY RIGHT			
21	+	C401-000190	1	BODY LEFT			
22	+	C450-000480	1	LEVER			
23	+	C460-000190	1	LOCK LEVER			
24	+	C461-000020	1	HOLDER			
25	+	V452-000700	1	COIL SPRING			
26	+	V452-000500	1	COIL SPRING			
27	+	A440-001490	1	SWITCH			

8. MAIN PIPE



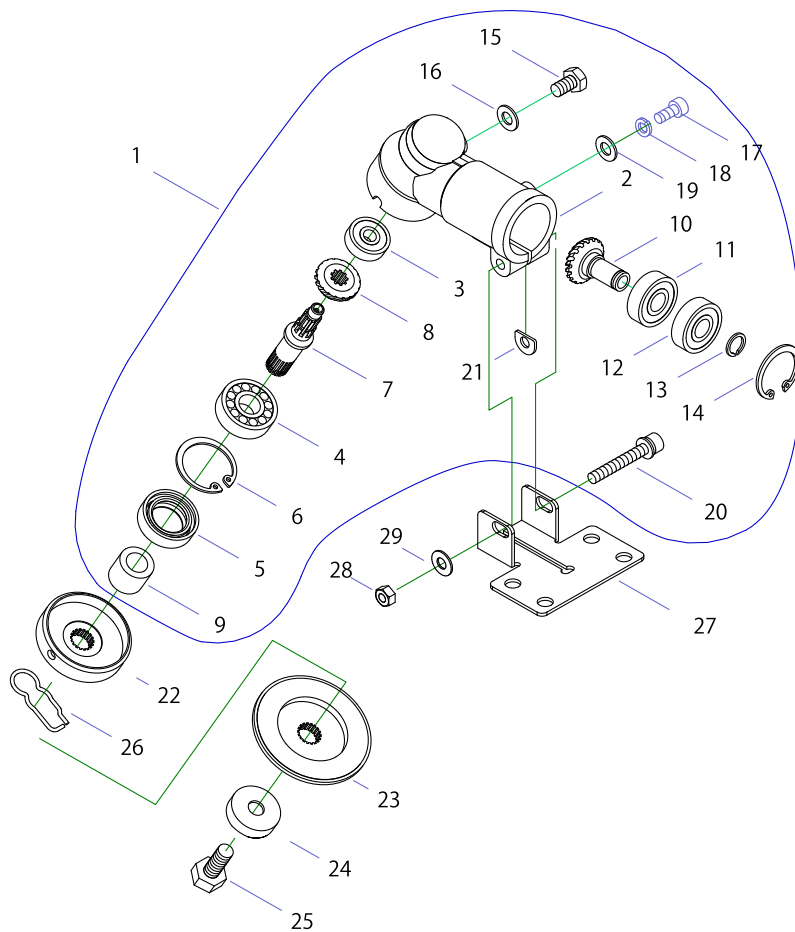
KEY	LV	PART NUMBER	Q'TY	DESCRIPTION	REMARKS	NOTE1	NOTE2
28	+	V252-000380	3	SCREW TAPPING			
29	+	91575-05020	1	SCREW PM SPW			
30	+	92017-05000	1	NUT	M5		
31	+	V162-000350	1	PLUG			
32		V475-005000	1	TUBE			
33		C646-000080	2	HOLDER			
34		V430-003040	1	THROTTLE CABLE			
35		X517-000140	1	LABEL CAUTION			
36		X505-002910	1	LABEL CAUTION			
37		X508-000310	1	LABEL DECIBEL			
38		X524-002380	1	HANDLE LABEL			

9. GEAR CASE

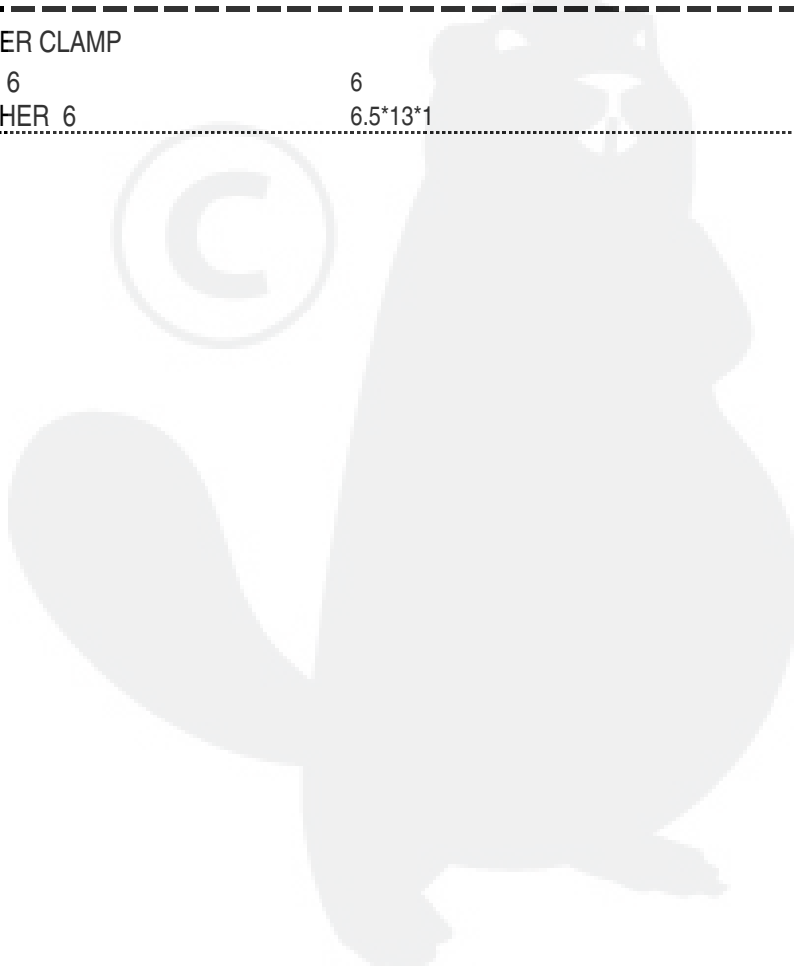


KEY	LV	PART NUMBER	Q'TY	DESCRIPTION	REMARKS	NOTE1	NOTE2
1		C051-000590	1	GEAR CASE COMP			
2	+	C531-000610	1	GEAR CASE			
3	+	900802-06000	1	BEARING, BALL 6000	6000DDU(LLU)		
4	+	900810-06201	1	BEARING, BALL 6201	6201		
5	+	V510-000010	1	OIL SEAL			
6	+	92424-32000	1	SNAP RING			
7	+	C534-000610	1	GEAR SHAFT			
8	+	V651-000590	1	BEVEL GEAR			
9	+	V356-000500	1	COLLAR			
10	+	V651-000500	1	BEVEL PINION COMP			
11	+	900800-06000	1	BEARING, BALL 6000	6000		
12	+	900804-06000	1	BEARING, BALL	6000ZZ		
13	+	900706-00010	1	CIRCLIP 10	WR-10		
14	+	92424-26000	1	SNAP RING			
15	+	V206-000250	1	BOLT			
16	+	V307-000230	1	GASKET			
17	+	900105-05012	1	BOLT, H.S. 5*12	5*12		
18	+	900605-00005	1	WASHER, SPRING 5	5		
19	+	900600-00005	1	WASHER 5	5		
20	+	V204-000450	1	BOLT SPW			
21	+	V340-000280	1	SHIM			
22		C535-000840	1	HOLDER			
23		C535-000850	1	HOLDER			
24		C535-000860	1	BOLT GUARD			
25		V205-000480	1	BOLT,8			
26		V641-000150	1	PIN,SNAP			

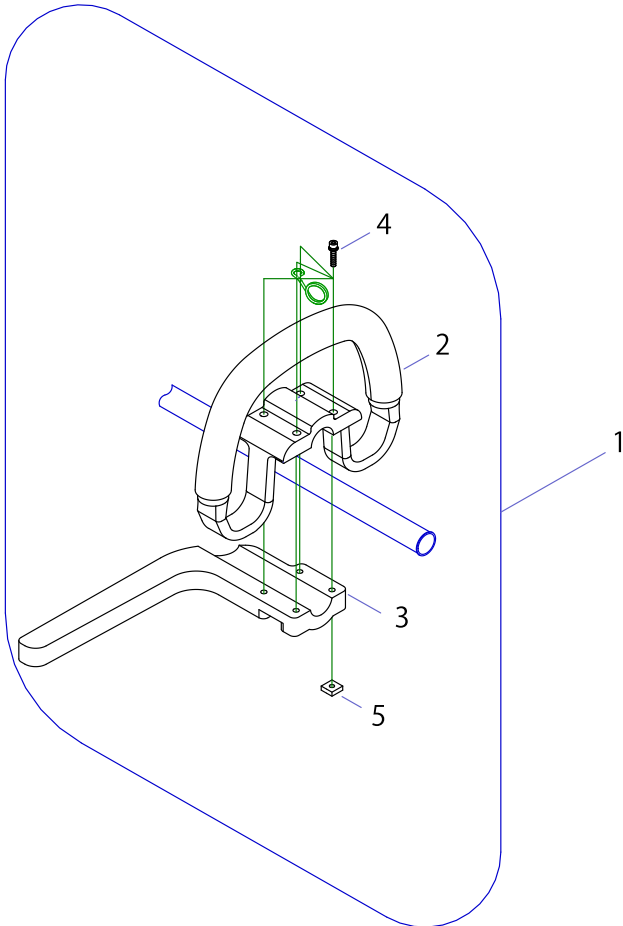
9. GEAR CASE



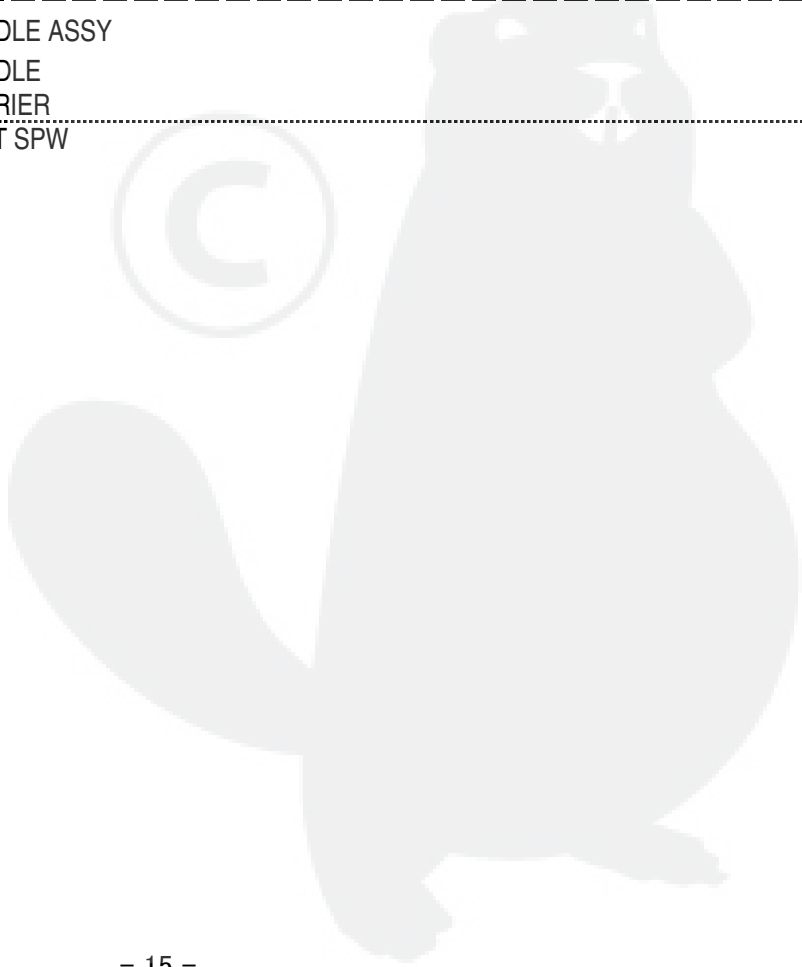
KEY	LV	PART NUMBER	Q'TY	DESCRIPTION	REMARKS	NOTE1	NOTE2
27		C551-000140	1	LOWER CLAMP			
28		900500-00006	1	NUT 6	6		
29		900603-00006	1	WASHER 6	6.5*13*1		



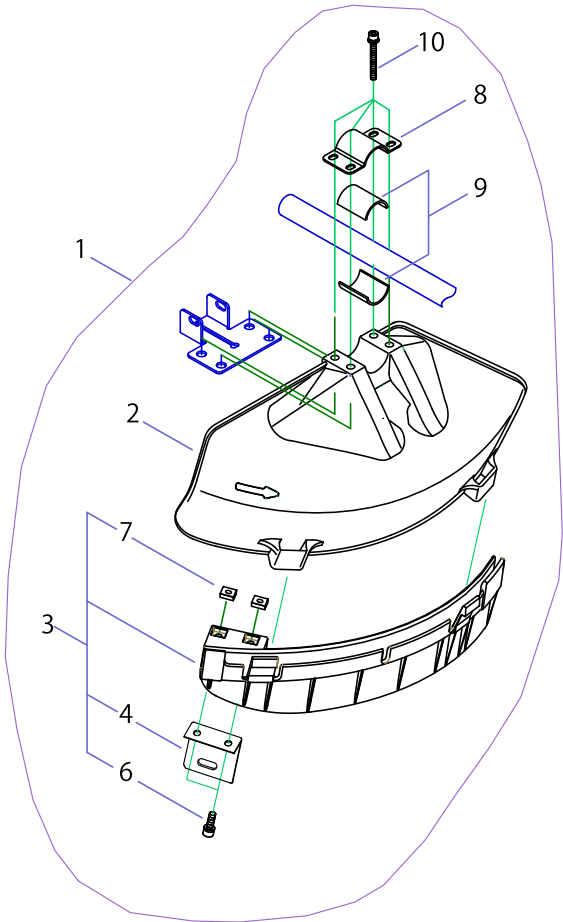
10. HANDLE



KEY	LV	PART NUMBER	Q'TY	DESCRIPTION	REMARKS	NOTE1	NOTE2
1		P021-027930	1	HANDLE ASSY			
2	+	C040-000290	1	HANDLE			
3	+	C405-000410	1	BARRIER			
4	+	V203-000600	4	BOLT SPW			
5	+	V263-000130	4	NUT			

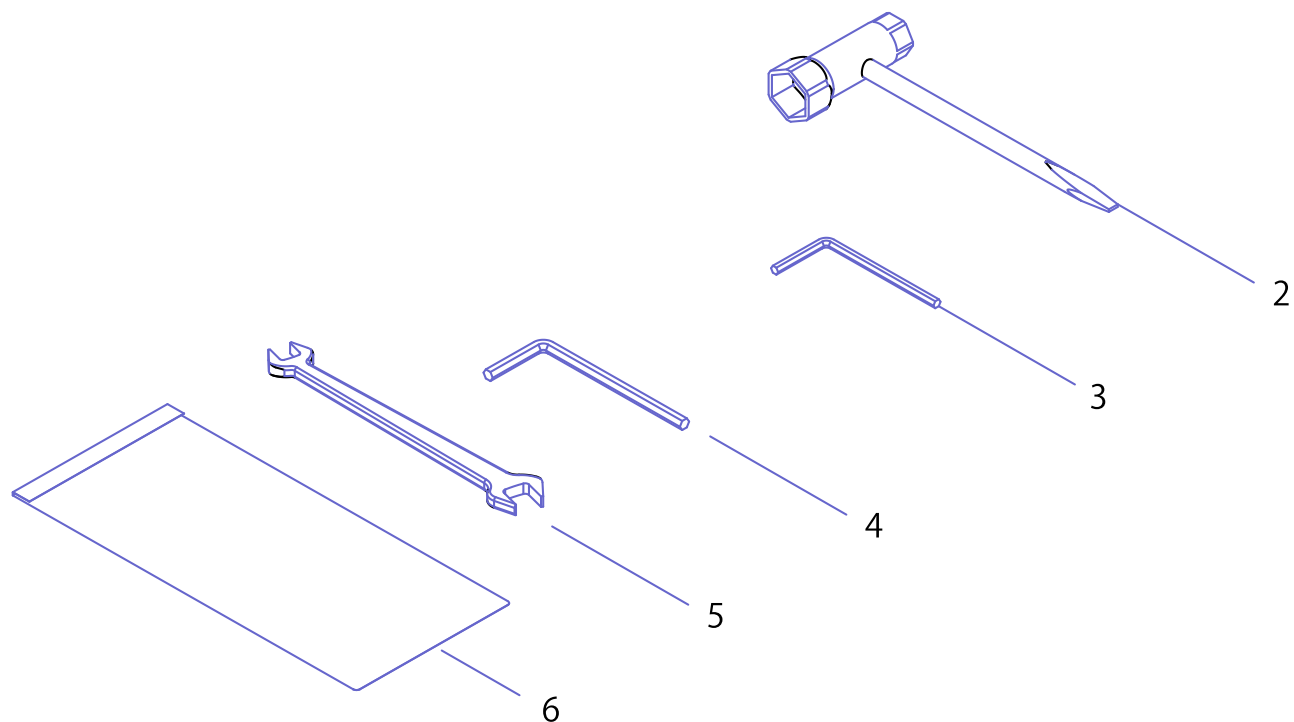


11. BLADE COVER



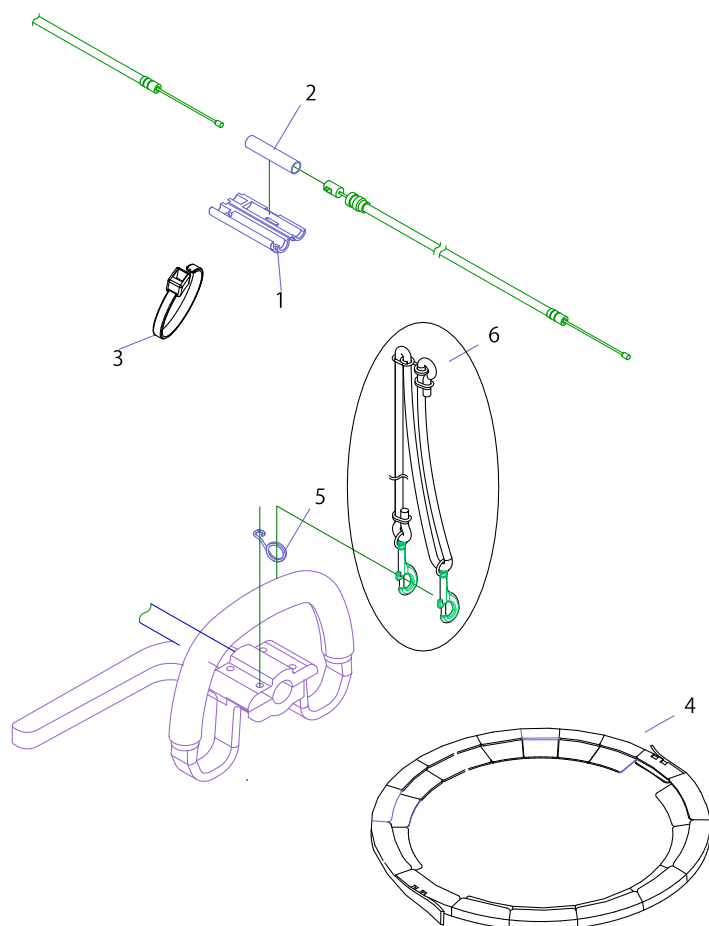
KEY	LV	PART NUMBER	Q'TY	DESCRIPTION	REMARKS	NOTE1	NOTE2
1		P021-028900	1	GUARD SET			
2	+	C550-000430	1	GUARD			
3	+	P021-028450	1	SUB GUARD ASSY			
4	++	C554-000040	1	CUTTER			
6	++	V203-000720	2	BOLT SW			
7	++	V263-000130	2	NUT			
8	+	C551-000060	1	UPPER CLAMP			
9	+	V363-000160	2	SPACER			
10	+	V203-000610	4	BOLT SPW			

12. TOOLS



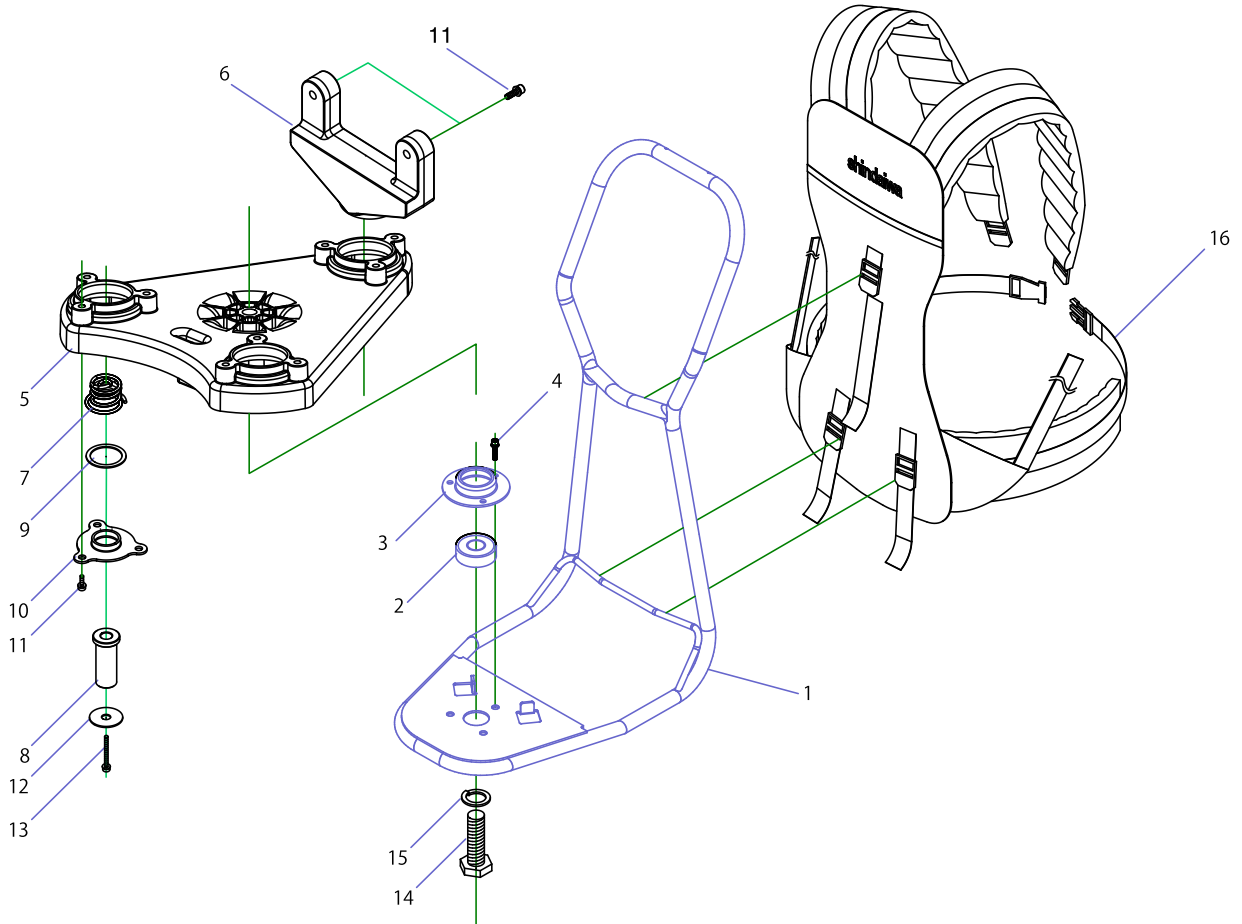
KEY	LV	PART NUMBER	Q'TY	DESCRIPTION	REMARKS	NOTE1	NOTE2
2		X602-000150	1	PLUG WRENCH			
3		X605-000100	1	TOOL,L WRENCH	4MM M5		
4		X605-000070	1	HEXA WRENCH 6MM			
5		X600-000020	1	SPANNER			
6		X705-000100	1	BAG,PACKING	140*200*T0.08		

13. ACCESSORIES



KEY	LV	PART NUMBER	Q'TY	DESCRIPTION	REMARKS	NOTE1	NOTE2
1		C482-000070	1	CONNECTOR			
2		V475-004810	1	SLEEVE			
3		V495-001370	1	BAND			
4		P021-034750	1	BLADE COVER			
5		C487-000220	1	CABLE HOLDER			
6		C064-000010	1	ROPE			

14. FRAME, PAD



KEY	LV	PART NUMBER	Q'TY	DESCRIPTION	REMARKS	NOTE1	NOTE2
1		C066-000061	1	FRAME,ASM BACKPACK			
2		900812-06202	1	BEARING, BALL 6202	6202DDU(LLU)		
3		C530-000070	1	BEARING COVER			
4		V203-000590	3	BOLT SPW			
5		C632-000160	1	BRACKET			
6		A196-000220	1	BRACKET			
7		V450-000960	3	SPRING			
8		V353-000400	3	COLLAR			
9		V332-000030	3	COLLAR			
10		J133-000020	3	COVER			
11		V203-000590	11	BOLT SPW			
12		V323-000120	3	WASHER,CIRCULAR 5			
13		V203-000850	3	BOLT SW			
14		V206-000260	1	BOLT			
15		900605-00010	1	WASHER, SPRING 10	10		
16		C630-000140	1	PAD			

Index

Patrs Number	Key No.	Patrs Number	Key No.	Patrs Number	Key No.
124111-05810	6 - 5	91575-05020	8 - 29	A555-000130	3 - 9
124114-11120	6 - 6	92017-05000	8 - 30	A556-000920	2 - 13
124115-11120	6 - 8	92423-10000	8 - 8	A557-000120	3 - 12
124159-05530	6 - 18	92424-26000	9 - 14	A566-000150	3 - 10
124160-11120	6 - 17	92424-32000	9 - 6	A570-000210	2 - 20
124331-49930	6 - 30	92424-35000	2 - 15	C040-000290	10 - 2
124332-21330	6 - 28	93115-03010	4 - 2	C044-000960	8 - 19
124355-21330	6 - 15	A011-000840	3 - 6	C051-000590	9 - 1
124358-61830	6 - 23	A021-002640	6 - 1	C057-000220	8 - 9
124361-12710	6 - 22	A023-000160	6 - 42	C057-000230	8 - 10
124362-12710	6 - 20	A033-000330	7 - 3	C064-000010	13 - 6
124363-12710	6 - 19	A050-000260	5 - 1	C066-000061	14 - 1
124364-12710	6 - 21	A052-000420	5 - 15	C401-000190	8 - 21
124367-55430	6 - 13	A053-000080	5 - 7	C401-000240	8 - 20
124374-55430	6 - 12	A056-000450	3 - 7	C405-000410	10 - 3
124380-12710	6 - 33	A100-000680	3 - 1	C412-000380	8 - 13
159010-10130	4 - 13	A101-000370	3 - 2	C450-000480	8 - 22
62035-81350	6 - 11	A120-000370	2 - 2	C460-000190	8 - 23
62083-81310	6 - 2	A120-000380	2 - 6	C461-000020	8 - 24
62109-81320	6 - 7	A130-001780	1 - 1	C482-000070	13 - 1
62109-81330	6 - 16	A160-001650	2 - 25	C487-000220	13 - 5
900105-05012	9 - 17	A172-001330	2 - 12	C501-000050	8 - 3
900105-05025	1 - 3	A196-000220	14 - 6	C504-000830	8 - 6
900105-05030	2 - 10	A200-000680	1 - 5	C506-000270	8 - 11
900105-05035	1 - 4	A226-000680	6 - 45	C510-000260	8 - 4
900105-05075	6 - 48	A232-000880	6 - 51	C530-000070	14 - 3
900105-06025	1 - 11	A244-000180	6 - 47	C531-000610	9 - 2
900500-00005	8 - 18	A246-000020	6 - 3	C533-000120	5 - 8
900500-00006	9 - 28	A248-000030	8 - 16	C534-000610	9 - 7
900503-00010	4 - 3	A300-001210	1 - 9	C535-000840	9 - 22
900600-00005	9 - 19	A320-000780	2 - 29	C535-000850	9 - 23
900603-00006	9 - 29	A350-001370	7 - 2	C535-000860	9 - 24
900605-00004	4 - 9	A356-000050	7 - 10	C550-000430	11 - 2
900605-00005	6 - 49	A369-000100	7 - 9	C551-000060	11 - 8
900605-00005	9 - 18	A409-000650	4 - 1	C551-000140	9 - 27
900605-00010	4 - 4	A411-000790	4 - 5	C554-000040	11 - 4
900605-00010	14 - 15	A426-000040	4 - 12	C630-000140	14 - 16
900706-00010	9 - 13	A427-000060	4 - 11	C632-000160	14 - 5
900800-06000	9 - 11	A429-000120	2 - 26	C646-000080	8 - 33
900802-06000	9 - 3	A440-001490	8 - 27	J133-000020	14 - 10
900804-06000	9 - 12	A500-000940	5 - 2	P004-001000	6 - 34
900810-06201	9 - 4	A504-000160	5 - 4	P004-001340	6 - 26
900810-36202	2 - 3	A506-000310	5 - 3	P004-001350	6 - 27
900810-36202	2 - 7	A509-000260	5 - 11	P004-001640	6 - 37
900812-06202	2 - 14	A511-000210	5 - 12	P004-001660	6 - 29
900812-06202	14 - 2	A514-000170	5 - 5	P004-001720	6 - 25
900859-06900	8 - 7	A522-000040	5 - 13	P004-002680	6 - 9
91100-04024	4 - 8	A551-000120	3 - 11	P004-002690	6 - 10
91574-05025	8 - 17	A552-000120	3 - 8	P004-002700	6 - 24

Index

Patrs Number	Key No.	Patrs Number	Key No.	Patrs Number	Key No.
P004-002710	6 - 38	V206-000250	9 - 15	V581-000260	8 - 12
P004-002720	6 - 14	V206-000260	14 - 14	V583-000181	2 - 16
P004-002730	6 - 35	V252-000380	8 - 28	V609-000050	3 - 3
P004-002980	6 - 36	V253-000460	8 - 5	V623-000060	2 - 9
P004-003000	6 - 31	V253-000510	5 - 9	V623-000060	2 - 17
P004-003010	6 - 32	V263-000130	10 - 5	V641-000150	9 - 26
P004-003240	6 - 4	V263-000130	11 - 7	V651-000500	9 - 10
P021-018640	2 - 21	V263-000180	1 - 8	V651-000590	9 - 8
P021-027760	2 - 1	V266-000080	5 - 20	X504-002770	5 - 24
P021-027770	2 - 5	V299-000390	2 - 27	X504-002930	2 - 23
P021-027790	2 - 24	V299-000410	6 - 52	X505-002910	8 - 36
P021-027930	10 - 1	V302-000010	4 - 10	X508-000310	8 - 37
P021-027970	2 - 11	V303-000200	6 - 53	X517-000140	8 - 35
P021-027980	2 - 19	V307-000230	9 - 16	X524-002380	8 - 38
P021-028000	6 - 50	V322-000040	4 - 7	X600-000020	12 - 5
P021-028450	11 - 3	V323-000090	6 - 43	X602-000150	12 - 2
P021-028680	8 - 1	V323-000120	14 - 12	X605-000070	12 - 4
P021-028900	11 - 1	V332-000030	14 - 9	X605-000100	12 - 3
P021-033080	8 - 15	V340-000280	9 - 21	X705-000100	12 - 6
P021-034560	7 - 5	V353-000390	5 - 14		
P021-034750	13 - 4	V353-000400	14 - 8		
V100-000450	1 - 2	V356-000500	9 - 9		
V103-001020	1 - 6	V363-000160	11 - 9		
V103-001030	6 - 54	V364-000030	8 - 14		
V103-001040	6 - 46	V376-001340	5 - 21		
V104-001360	1 - 10	V420-002510	7 - 15		
V107-000010	7 - 4	V420-002520	7 - 16		
V136-000040	4 - 14	V430-003030	6 - 39		
V137-000090	7 - 7	V430-003040	8 - 34		
V162-000350	8 - 31	V450-000940	5 - 6		
V186-000210	7 - 14	V450-000960	14 - 7		
V203-000350	2 - 22	V452-000500	8 - 26		
V203-000530	6 - 44	V452-000700	8 - 25		
V203-000580	1 - 7	V471-002480	7 - 6		
V203-000580	2 - 18	V471-002490	7 - 12		
V203-000590	1 - 13	V475-004810	13 - 2		
V203-000590	2 - 30	V475-005000	8 - 32		
V203-000590	14 - 4	V475-005280	4 - 6		
V203-000590	14 - 11	V485-001350	6 - 41		
V203-000600	10 - 4	V485-001870	6 - 40		
V203-000610	1 - 12	V490-000500	7 - 8		
V203-000610	11 - 10	V490-000500	7 - 11		
V203-000630	5 - 22	V490-000500	7 - 13		
V203-000640	5 - 23	V495-001370	13 - 3		
V203-000720	11 - 6	V508-000050	2 - 4		
V203-000850	14 - 13	V508-000050	2 - 8		
V203-000880	3 - 13	V510-000010	9 - 5		
V204-000450	9 - 20	V556-000030	3 - 5		
V205-000480	9 - 25	V580-000100	3 - 4		

YAMABIKO CORPORATION

7-2 SUEHIROCHO 1-CHOME, OHME, TOKYO 198-8760, JAPAN
PHONE: 81-428-32-6118. FAX: 81-428-32-6145.

shindaiwa[®]



11Fb
No. 444-087