

shindaiwa®

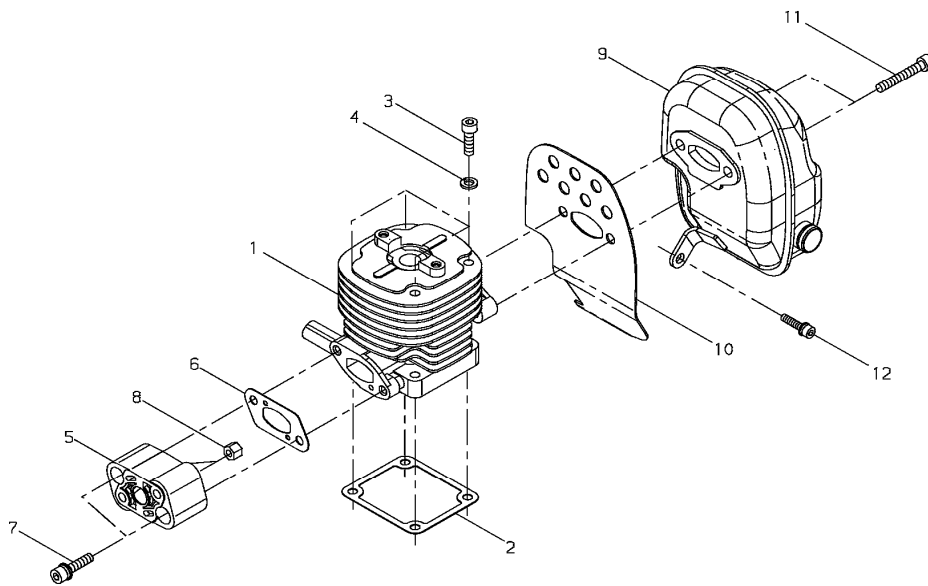
PARTS CATALOG

BRUSHCUTTER C35LA INTL



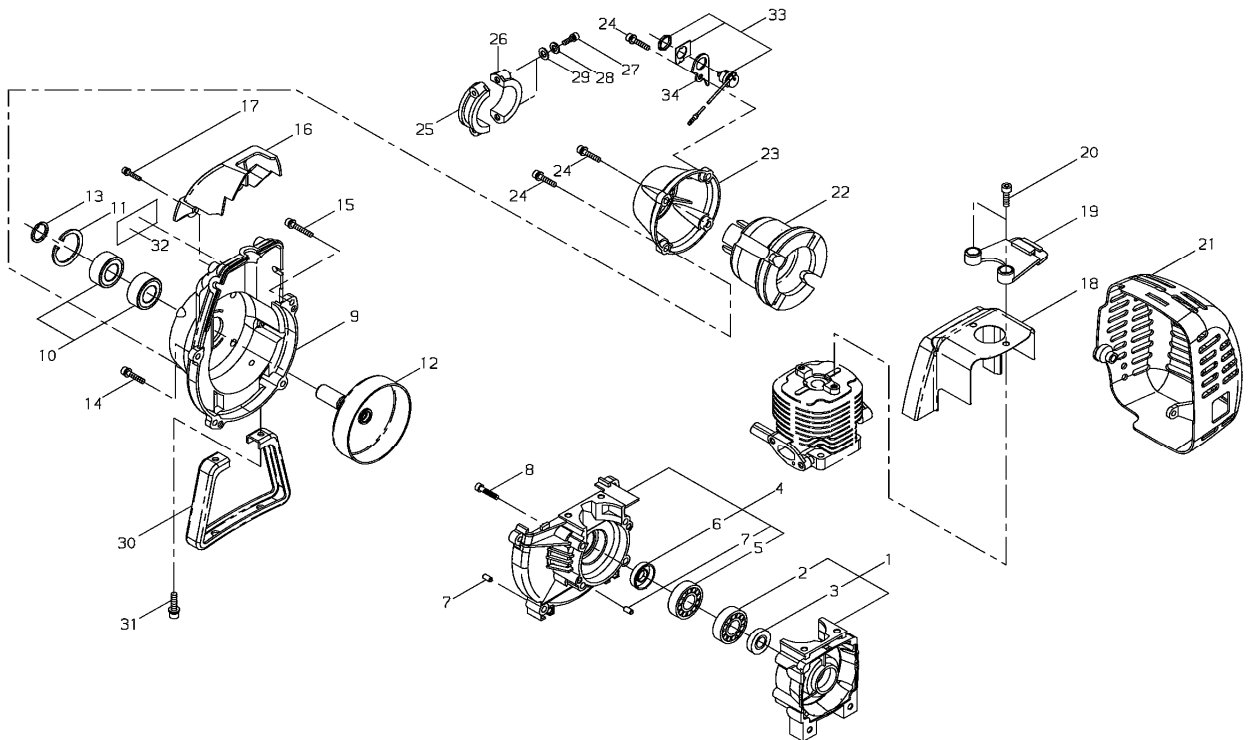
C35LA INTL

1. Ref.1



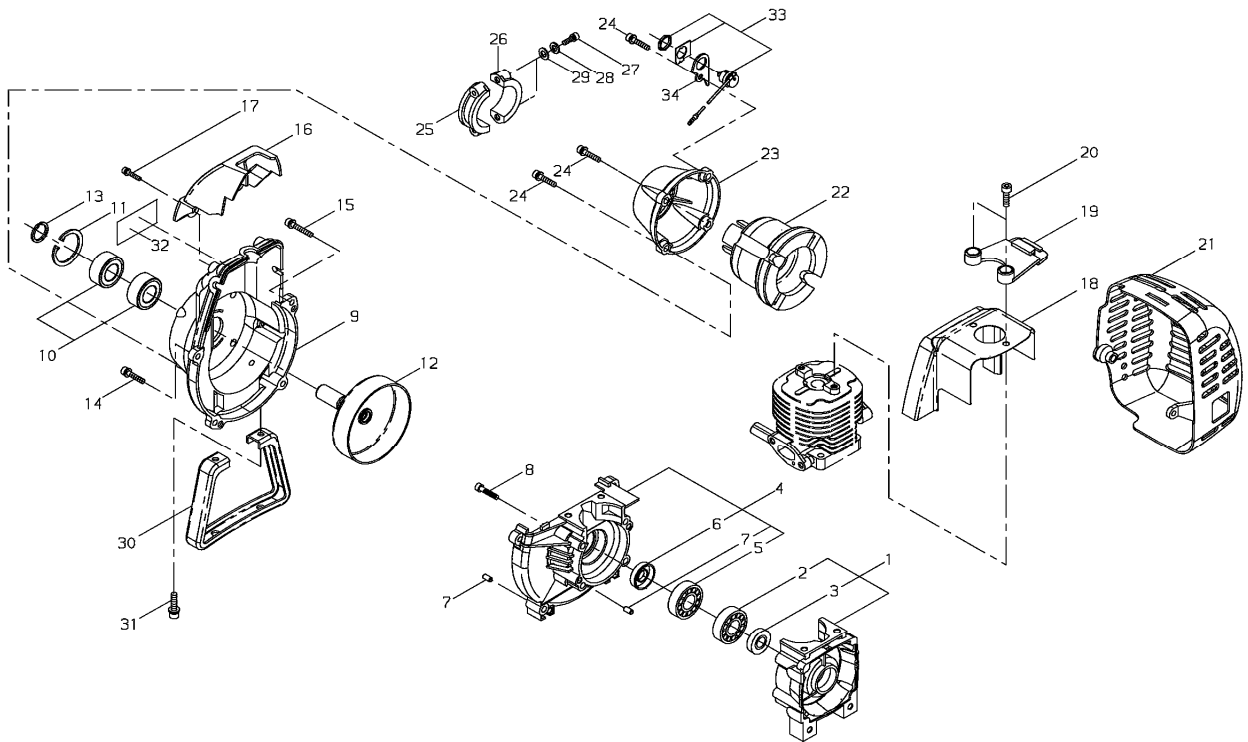
KEY	LV	PART NUMBER	Q'TY	DESCRIPTION	REMARKS	NOTE1	NOTE2
1		70196-12110	1	CYLINDER			
2		20010-12121	1	GASKET CYLINDER			
3		01020-05250	4	BOLT		M5x25	
4		01600-05131	4	SPRING WASHER		5mm	
5		20011-12212	1	INSULATOR			
6		20011-12221	1	GASKET			
7		11022-05250	2	BOLT SPW		M5x25	
8		20011-12260	2	NUT			
9		62104-15110	1	MUFFLER			
10		62104-15210	1	GASKET			
11		01020-06250	2	BOLT		M6x25	
12		11024-05120	1	BOLT SLPW		M5x12	

2. Ref.2



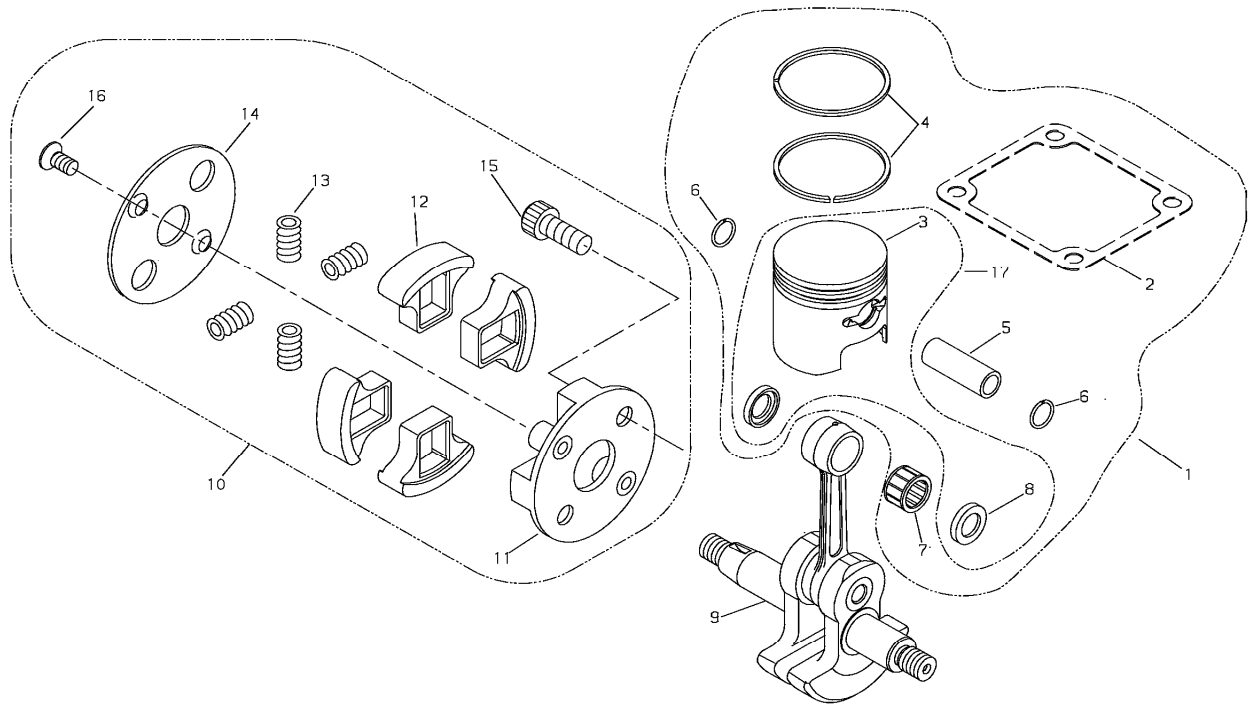
KEY	LV	PART NUMBER	Q'TY	DESCRIPTION	REMARKS	NOTE1	NOTE2
1		72935-21101	1	CRANK CASE S COMP			
2	•	12900-62020	1	BEARING		6202,C3	
3	•	20010-21211	1	OIL SEAL			
4		70062-21200	1	CRANK CASE M COMP			
5	•	12900-62020	1	BEARING		6202,C3	
6	•	20010-21211	1	OIL SEAL			
7	•	12492-50100	4	ROLLER		φ5xL10	
8		01020-05300	4	BOLT		M5x30	
9		70084-31111	1	FAN COVER			
10		02006-06002	2	BEARING		6002	
11		02432-32120	1	SNAP RING		32mm C	
12		62112-31210	1	CLUTCH DRUM			
13		20011-31230	1	SNAP RING			
14		11022-05200	3	BOLT SPW		M5x20	
15		11022-05300	1	BOLT SW		M5x30	
16		70131-34100	1	PROTECTOR COMP			
17		11024-04160	2	BOLT SLPW		M4x16	
18		62112-32110	1	CYLINDER COVER			
19		62104-32310	1	STAY			
20		11022-05180	2	BOLT SPW		M5x18	
21		62104-32321	1	MUFFLER COVER			
22		20011-35110	1	JOINT			
23		70012-35130	1	CAP JOINT			
24		11022-05200	4	BOLT SPW		M5x20	
25		20011-35141	1	CLAMP A			
26		20011-35151	1	CLAMP B			

2. Ref.2



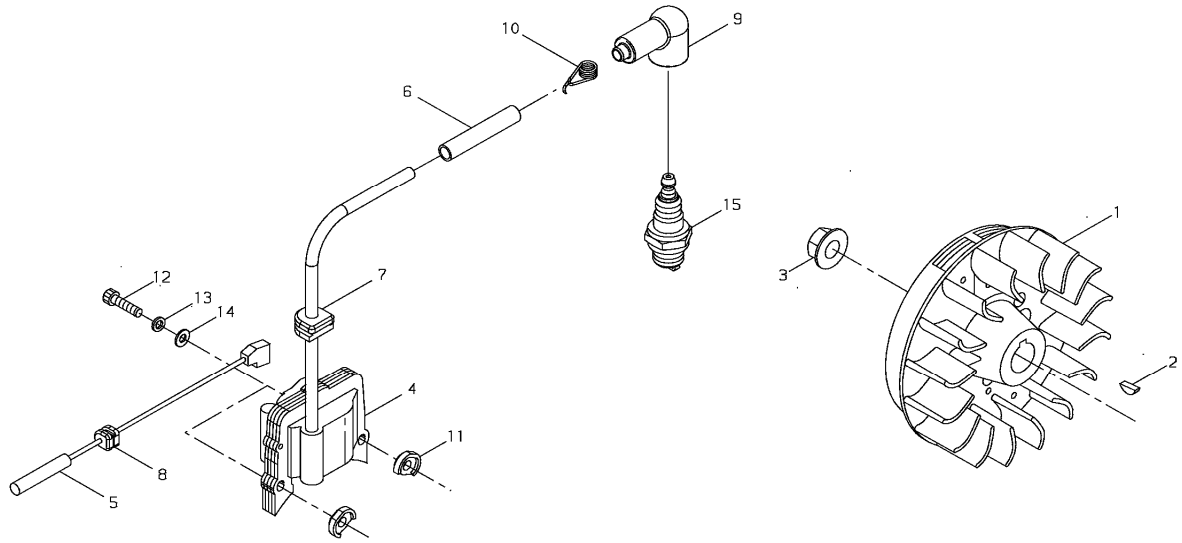
KEY	LV	PART NUMBER	Q'TY	DESCRIPTION	REMARKS	NOTE1	NOTE2
27		01020-05250	2	BOLT		M5x25	
28		01600-05131	2	SPRING WASHER		5mm	
29		01610-05080	2	WASHER		5mm	
30		70200-33112	1	STAND			
31		11022-05160	2	BOLT SPW		M5x16	
32		62112-91320	1	LABEL TRADE			
33		72930-14210	1	SWITCH			
34		70014-74120	1	BRACKET			

3. Ref.3



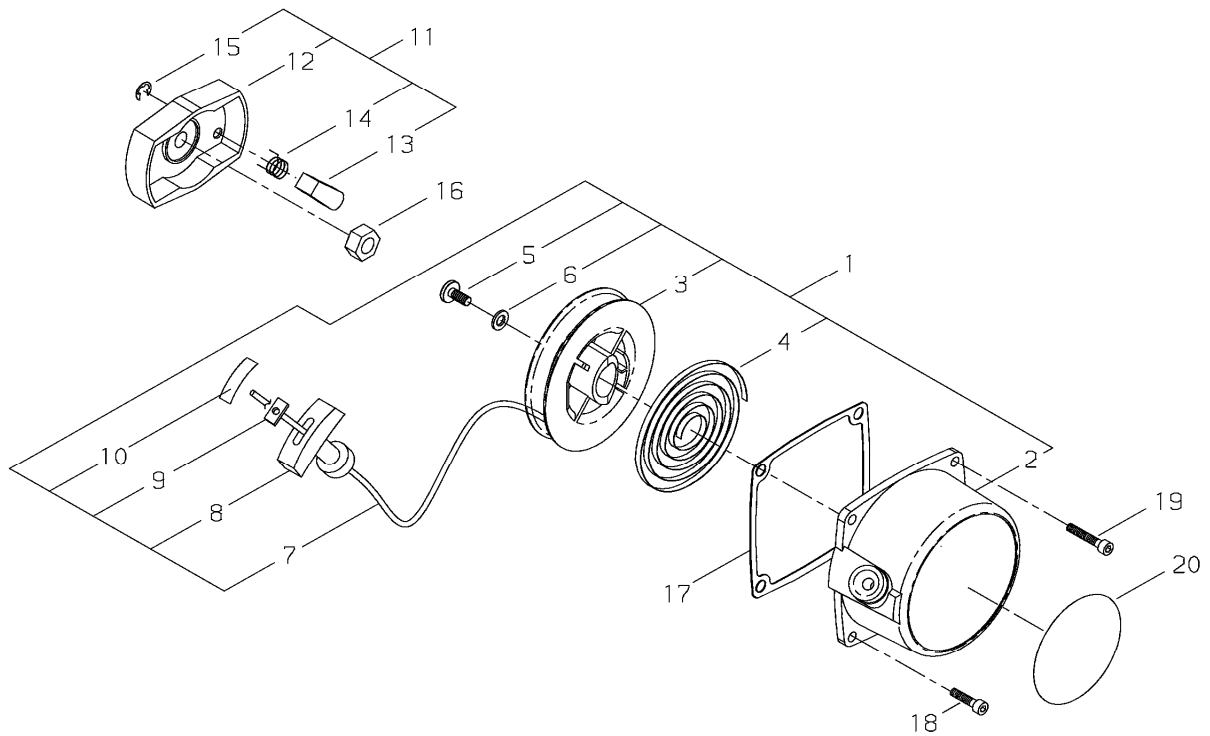
KEY	LV	PART NUMBER	Q'TY	DESCRIPTION	REMARKS	NOTE1	NOTE2
1		72051-98011	1	PISTON SET			
2	•	20010-12121	1	GASKET CYLINDER			
3	•	20010-41111	1	PISTON			
4	•	20010-41210	2	PISTON RING			
5	•	20010-41310	1	PISTON PIN			
6	•	22100-41230	2	SNAP RING			
7	•	20010-41330	1	NEEDLE BEARING			
8	•	70200-41341	2	THRUST WASHER			
9		20010-42002	1	CRANK SHAFT ASSY			
10		70210-51100	1	CLUTCH SHOE ASSY			
11	•	20020-51112	1	CLUTCH BOSS			
12	•	20020-51121	4	CLUTCH SHOE			
13	•	20020-51131	4	SPRING			
14	•	20020-51140	1	PLATE			
15	•	20020-51150	2	CLUTCH BOLT			
16	•	70210-51160	2	SCREW FLAT			
17		72051-98310	1	PISTON SET			

4. Ref.4



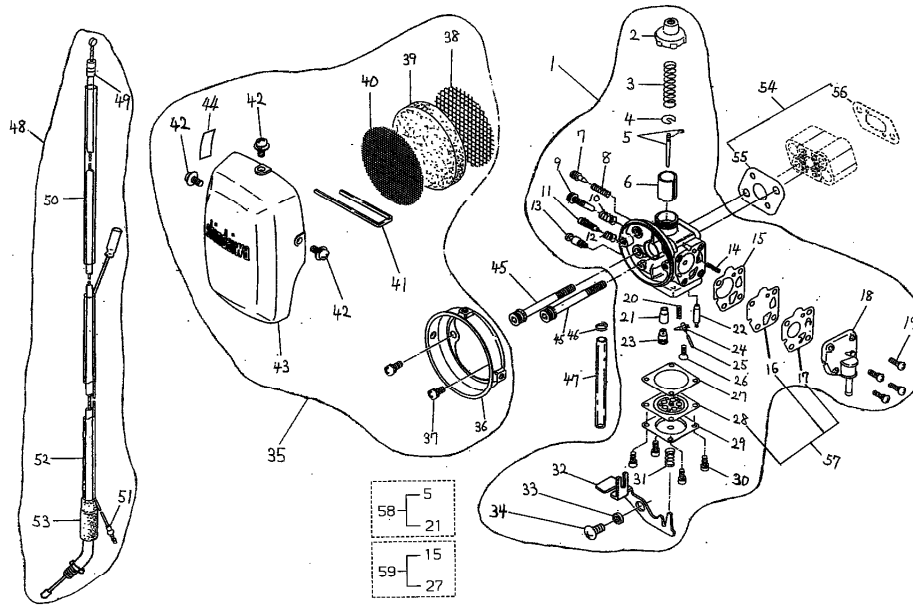
KEY	LV	PART NUMBER	Q'TY	DESCRIPTION	REMARKS	NOTE1	NOTE2
1		70200-71200	1	ROTOR			
2		02403-03100	1	KEY	3*10	3x10	
3		11527-10212	1	FLANGE NUT		M10	
4		70200-71610	1	COIL			
5		70200-71640	1	CORD			
6		20011-71660	1	TUBE			
7		20011-72110	1	GROMMET			
8		20011-72120	1	GROMMET			
9		22102-72220	1	PLUG CAP			
10		20000-72230	1	SPRING SPARK PLUG			
11		20010-71631	2	SPACER COIL			
12		01020-04240	2	BOLT		M4x24	
13		01600-04101	2	SPRING WASHER		4mm	
14		20010-71650	2	WASHER			
15		CJ 8	1	SPARK PLUG			

5. Ref.5



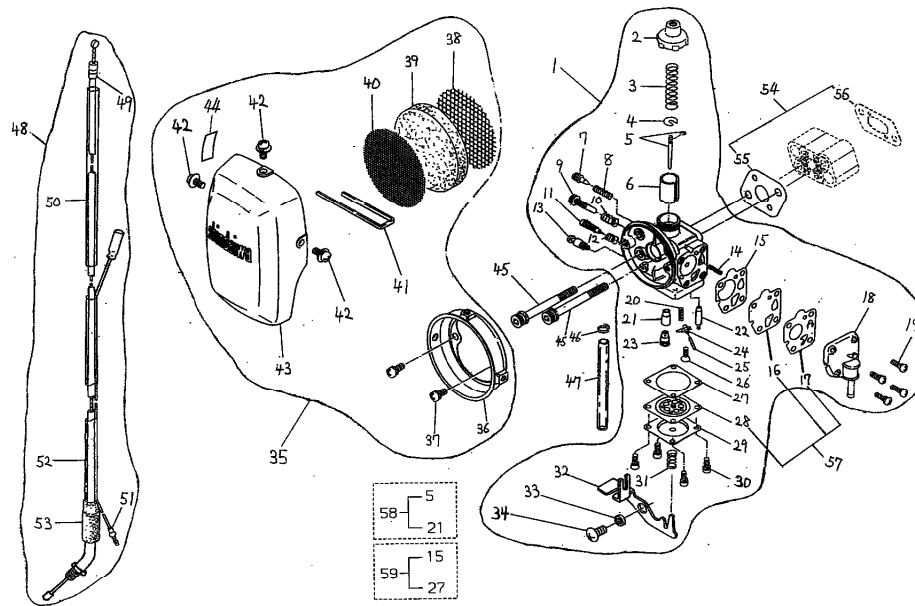
KEY	LV	PART NUMBER	Q'TY	DESCRIPTION	REMARKS	NOTE1	NOTE2
1		70131-75900	1	RECOIL STARETR			
2	•	70131-75110	1	STARTER CASE			
3	•	70131-75120	1	REEL			
4	•	20024-75130	1	RECOIL SPRING			
5	•	20035-75170	1	SCREW			
6	•	70131-75140	1	WASHER			
7	•	20020-75180	1	ROPE			
8	•	20010-75190	1	STARTER KNOB			
9	•	20010-75210	1	STOPPER			
10	•	20010-75230	1	TAPE			
11		70131-75200	1	STARTER PULLEY ASSY			
12	•	70131-75211	1	STARTER PULLEY			
13	•	20024-75220	1	RATCHET			
14	•	20024-75230	1	RETURN SPRING			
15	•	20024-75240	1	E RING			
16		20000-76210	1	NUT			
17		20020-76111	1	GASKET STARTER			
18		11022-04160	3	BOLT SPW		M4x16	
19		11060-04203	1	BOLT ADHESIVE		M4x20	
20		19420-00027	1	LABEL TRADE			

6. Ref.6



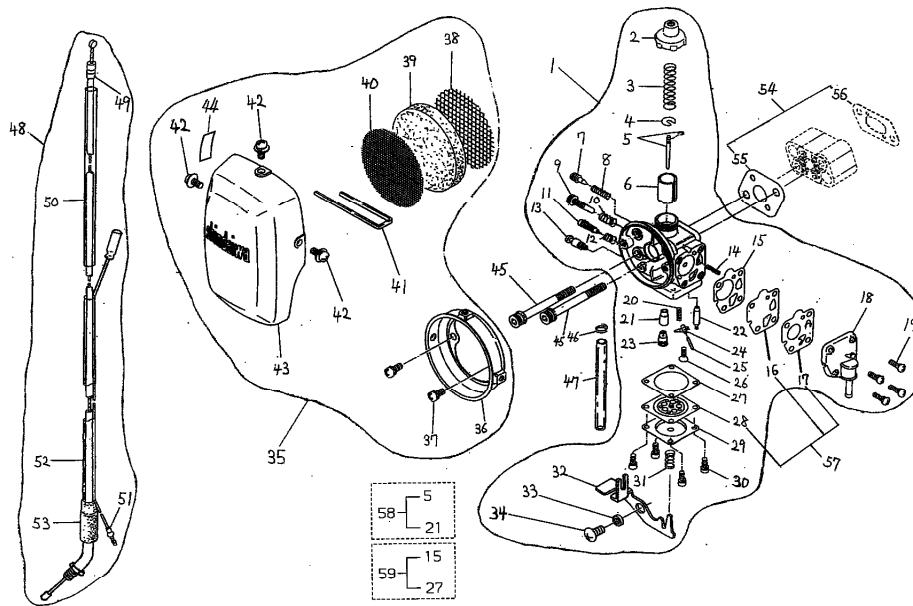
KEY	LV	PART NUMBER	Q'TY	DESCRIPTION	REMARKS	NOTE1	NOTE2
1		20011-81021	1	CARB BODY SUB ASSY			
2	•	20000-81130	1	BODY CAP			
3	•	20011-81140	1	SPRING			
4	•	20000-81150	1	SPRING RECEIVE			
5	•	20000-81170	1	JET NEEDLE			
6	•	20011-81182	1	THROTTLE VALVE			
7	•	20000-81330	1	SLOW AIR SCREW			
8	•	20000-81340	1	SPRING			
9	•	20000-81310	1	SLOW STOP SCREW			
10	•	20000-81320	1	SPRING			
11	•	20011-81351	1	ADJUST SCREW			
12	•	20011-81360	1	SPRING			
13	•	20011-81550	1	ORVER FLOW VALVE			
14	•	20011-81680	1	SPRING			
15	•	20011-81630	1	GASKET			
16	•	20011-81621	1	DIAPHRAGM			
17	•	20020-81660	1	PUMP VALVE			
18	•	20011-81641	1	PUMP BODY			
19	•	20000-81650	4	SCREW			
20	•	20011-81430	1	SPRING			
21	•	20011-81410	1	NEEDLE JET			
22	•	20000-81441	1	NEEDLE VALVE			
23	•	20011-81420	1	HOLDER			
24	•	20011-81451	1	LEVER			
25	•	20011-81460	1	PIN			
26	•	20011-81470	1	SCREW			

6. Ref.6



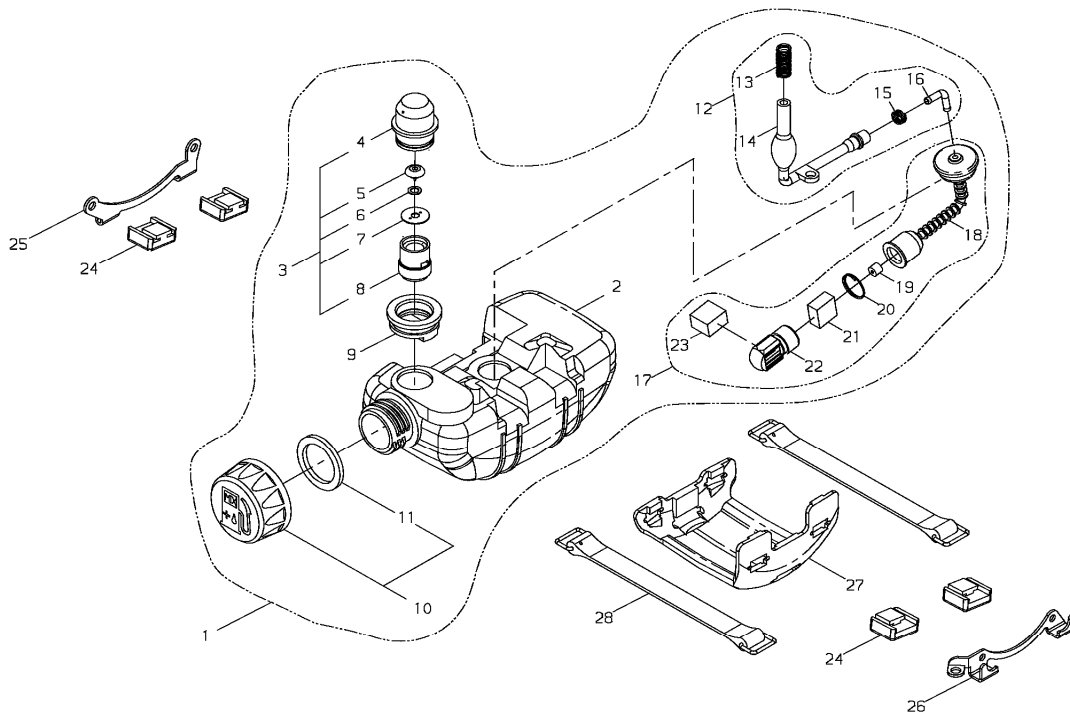
KEY	LV	PART NUMBER	Q'TY	DESCRIPTION	REMARKS	NOTE1	NOTE2
27	•	20011-81510	1	GASKET			
28	•	20011-81520	1	DIAPHRAGM			
29	•	20011-81530	1	COVER DIAPHRAGM			
30	•	20000-81540	4	SCREW			
31	•	20011-81573	1	SPRING			
32	•	20011-81563	1	TICKLER LEVER			
33	•	20011-81590	1	COLLAR			
34	•	20011-81581	1	SCREW			
35		20010-81701	1	AIR CLEANER SUB ASSY			
36	•	20010-81711	1	CLEANER BODY			
37	•	20000-81730	2	SCREW			
38	•	20010-81760	1	NET B			
39	•	20000-81740	1	FILTER			
40	•	20000-81750	1	NET A			
41	•	20010-81781	1	SPRING NET			
42	•	20000-81735	3	SCREW			
43	•	20010-81771	1	CLEANER COVER			
44		19404-00008	1	LABEL CHOKE			
45		11020-05500	2	BOLT SW		M5x50	
46		20020-85540	1	CLIP			
47		20000-83312	1	PIPE			
48		62112-83010	1	THROTTLE CABLE ASSY			
49	•	20011-83110	1	THROTTLE CABLE			
50	•	20011-83140	1	PIPE			
51	•	14352-02401	1	LEAD WIRE			
52	•	20011-83120	1	PIPE			

6. Ref.6



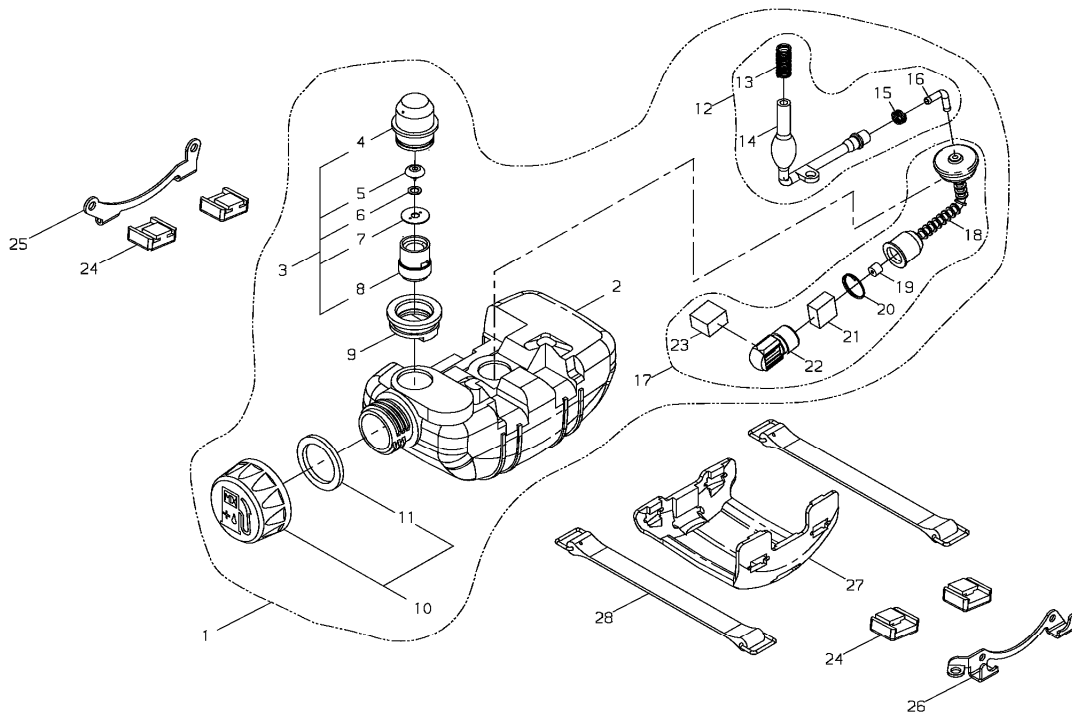
KEY	LV	PART NUMBER	Q'TY	DESCRIPTION	REMARKS	NOTE1	NOTE2
53	•	20005-83160	1	CABLE CAP			
54		70012-98021	1	GASKET SET			
55	•	20011-83411	1	GASKET CARBURETOR			
56	•	20011-12212	1	INSULATOR			
57		20011-81921	1	DIAPHRAGM KIT			
58		70012-98030	1	JET NEEDLE SET			
59		20011-81910	1	GASKET KIT			

7. Ref.7

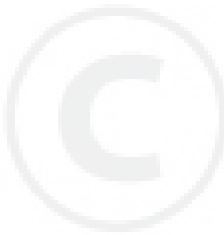


KEY	LV	PART NUMBER	Q'TY	DESCRIPTION	REMARKS	NOTE1	NOTE2
1		20011-85002	1	FUEL TANK ASSY			
2	•	20011-85112	1	FUEL TANK			
3	•	20000-85500	1	BREATHER SUB ASSY			
4	• •	20000-85511	1	CAP BREATHER			
5	• •	22100-85260	1	VALVE FUEL			
6	• •	22100-85250	1	WASHER FUEL			
7	• •	22100-85240	1	RETAINER FUEL			
8	• •	20000-85521	1	HOLDER VALVE			
9	•	20000-85572	1	GROMMET BREATHER			
10	•	70043-85201	1	FUEL CAP SUB ASSY			
11	• •	20000-85221	1	GASKET			
12	•	20000-85303	1	FUEL PIPE SUB ASSY			
13	• •	20000-85340	1	CLAMP A			
14	• •	20000-85313	1	FUEL PIPE			
15	• •	20000-85350	1	CLAMP B			
16	• •	20000-85321	1	JOINT PIPE			
17	•	20011-85401	1	FUEL FILTER SUB ASSY			
18	• •	20011-85451	1	SUCTION PIPE			
19	• •	20000-85440	1	CHECK VALVE			
20	• •	22102-85440	1	CLIP			
21	• •	22100-85431	1	FILTER B			
22	• •	22100-85411	1	WEIGHT FUEL			
23	• •	22100-85420	1	FILTER A			
24		20010-86130	4	CUSHION			
25		20011-86120	1	BRACKET M			
26		20021-86110	1	BRACKET S			

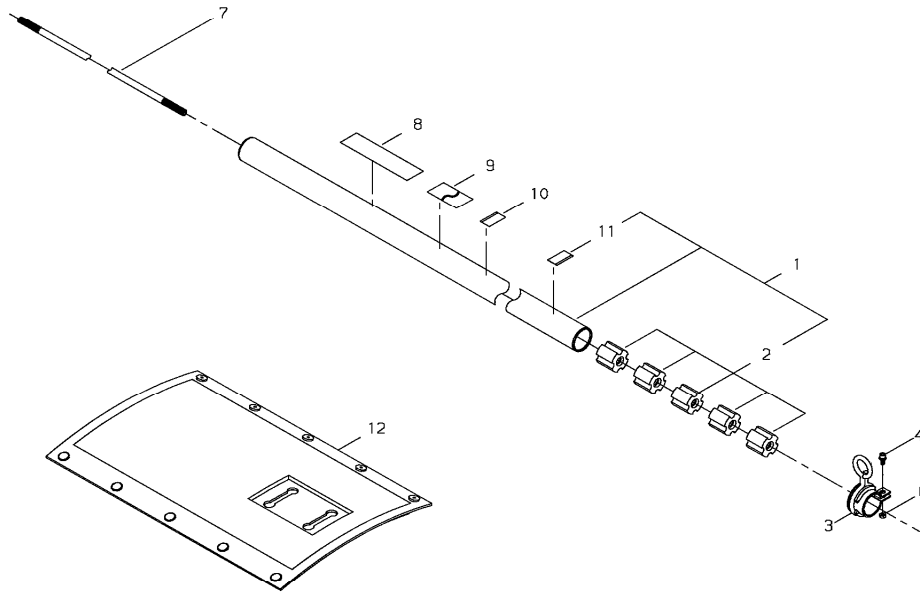
7. Ref.7



KEY	LV	PART NUMBER	Q'TY	DESCRIPTION	REMARKS	NOTE1	NOTE2
27		70005-86131	1	TANK GUARD			
28		20020-86140	2	BAND			

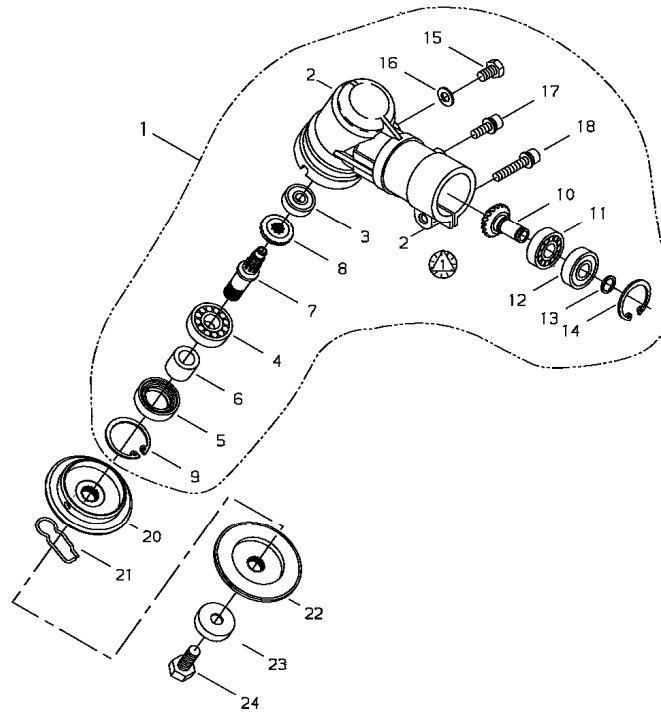


8. Ref.8



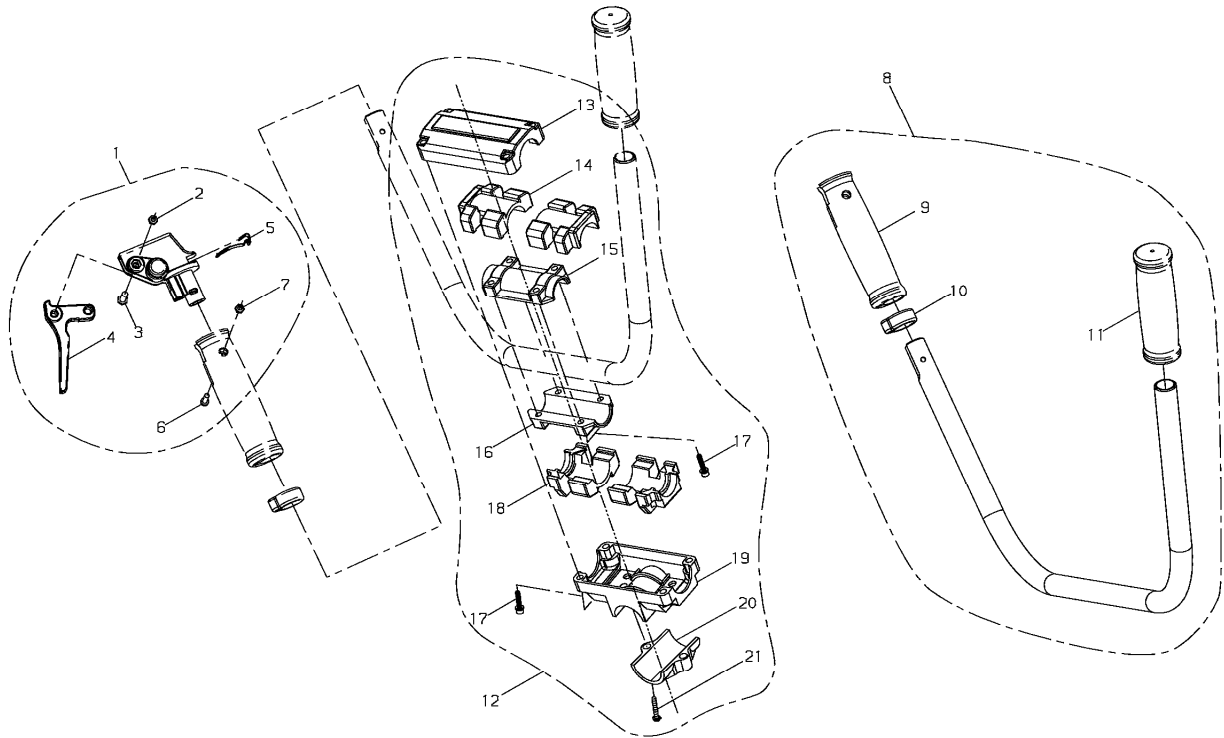
KEY	LV	PART NUMBER	Q'TY	DESCRIPTION	REMARKS	NOTE1	NOTE2
1		63080-62010	1	OUTER PIPE COMP			
2		22015-12120	5	BUSHING			
3		22017-12210	1	HANGER			
4		11022-05120	1	BOLT SPW		M5x12	
6		01500-05041	1	NUT	M5	M5	
7		22017-12410	1	MAIN SHAFT			
8		19420-00084	1	LABEL TRADE			
9		19422-00029	1	LABEL CAUTION			
10		19401-00269	1	LABEL INST			
11		72005-12140	1	CAUTION PLATE			
12		22017-17110	1	PROTECTOR			

9. Ref.9



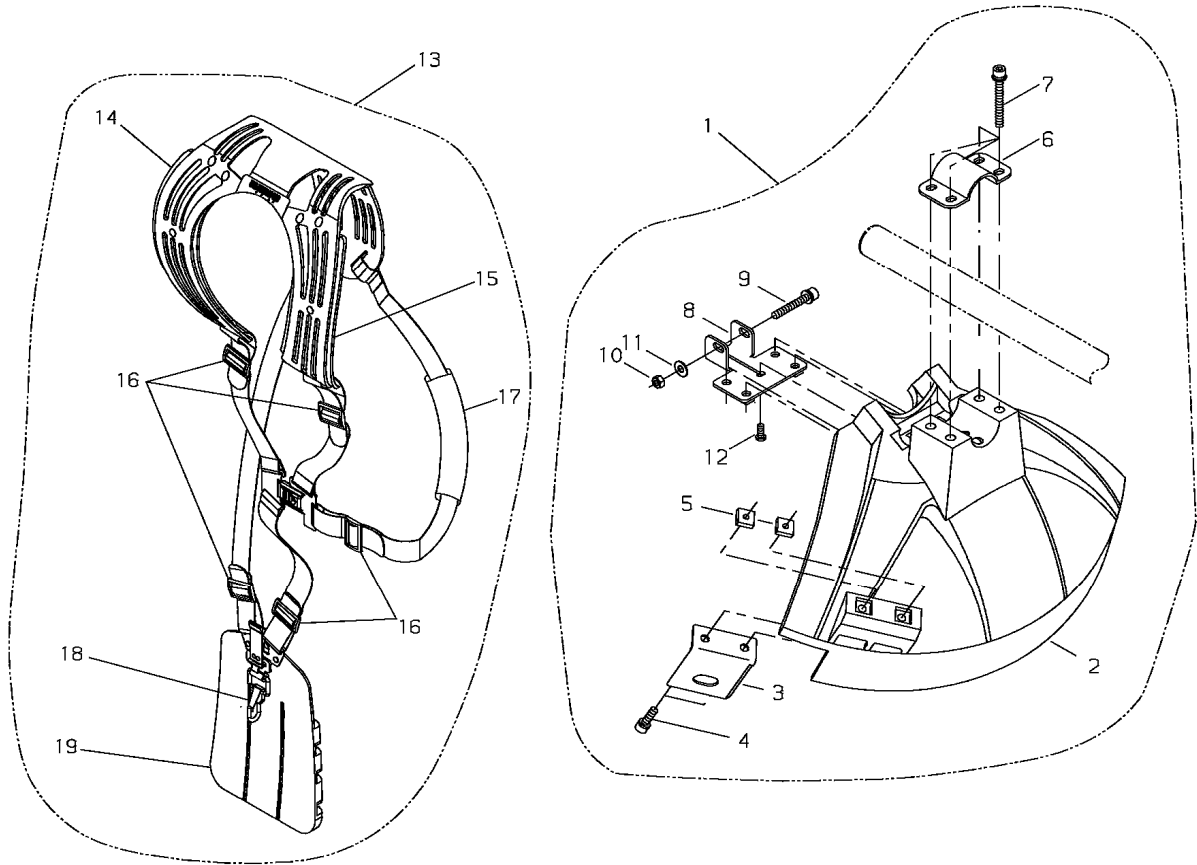
KEY	LV	PART NUMBER	Q'TY	DESCRIPTION	REMARKS	NOTE1	NOTE2
1		72017-13013	1	GEAR CASE COMP			
2	•	63020-63111	1	GEAR CASE			
3	•	02006-06000	1	BEARING		6000DDU	
4	•	02000-06202	1	BEARING		6202	
5	•	72447-13121	1	OIL SEAL			
6	•	22015-13230	1	COLLAR			
7	•	22015-13210	1	GEAR SHAFT			
8	•	22015-13220	1	BEVEL GEAR			
9	•	02432-35150	1	SNAP RING		35mm C	
10	•	22015-13390	1	PINION SET			
11	•	02000-06001	1	BEARING		6001	
12	•	02002-06001	1	BEARING		6001ZZ	
13	•	20000-31140	1	SNAP RING			
14	•	02432-28120	1	SNAP RING		28mm C	
15	•	22015-13410	1	BOLT			
16	•	22015-13420	1	GASKET			
17	•	11022-06140	1	BOLT SPW		M6x14	
18	•	11022-06280	1	BOLT SPW		M6x28	
20		72447-13240	1	HOLDER A			
21		22015-13290	1	SLIDE PIN			
22		72017-63170	1	HOLDER			
23		22015-13270	1	BOLT GUARD			
24		22015-13261	1	BOLT			

10. Ref.10



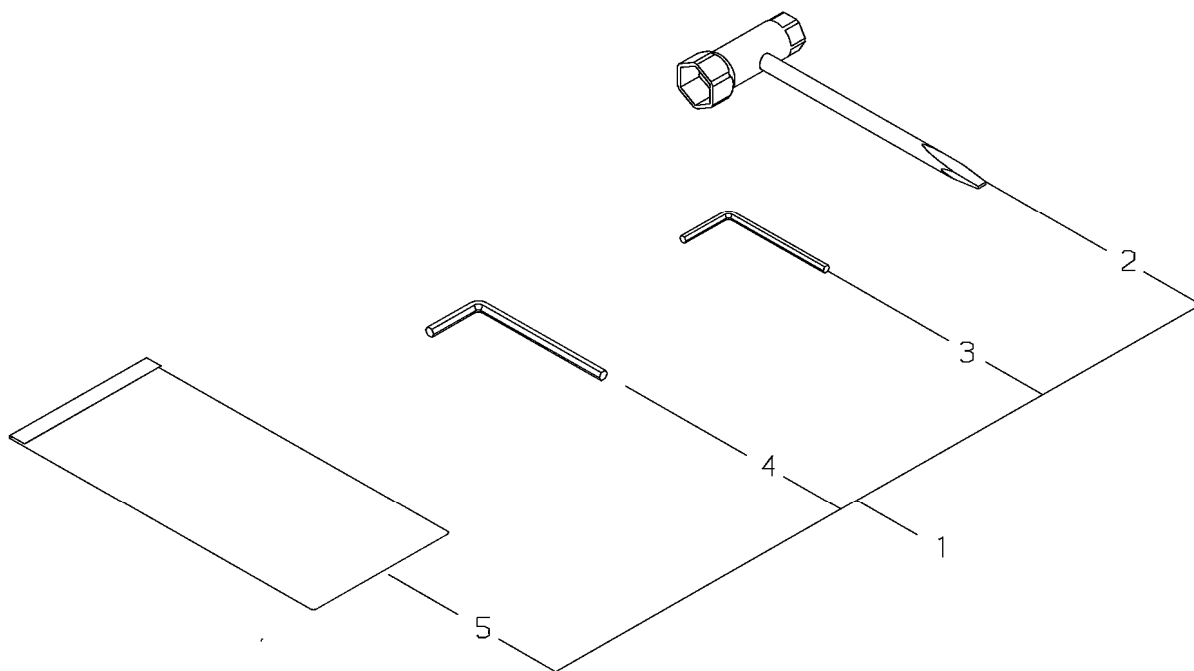
KEY	LV	PART NUMBER	Q'TY	DESCRIPTION	REMARKS	NOTE1	NOTE2
1		22015-14301	1	LEVER COMP			
2	•	72935-61240	1	LOCK NUT			
3	•	22015-14340	1	BOLT			
4	•	22015-14331	1	LEVER			
5	•	22015-14321	1	LEVER STOPPER			
6	•	01020-04240	1	BOLT		M4x24	
7	•	22015-14390	1	NYLON NUT			
8		22020-14200	1	HANDLE COMP			
9	•	22015-14220	1	RIGHT GRIP			
10	•	22015-14290	1	CABLE HOLDER			
11	•	22015-14230	1	LEFT GRIP			
12		72555-14100	1	BRACKET COMP			
13	•	72555-14130	1	UPPER CAP			
14	•	22015-14170	2	UPPER CUSHION			
15	•	22015-14150	1	UPPER CLAMP			
16	•	22015-14140	1	LOWER CLAMP			
17	•	11022-05250	8	BOLT SPW			
18	•	22015-14160	2	LOWER CUSHION			
19	•	72555-14110	1	HANDLE BRACKET			
20	•	72555-14120	1	LOWER CAP			
21	•	11210-06250	2	SCREW BUTTON		M6x25	

11. Ref.11



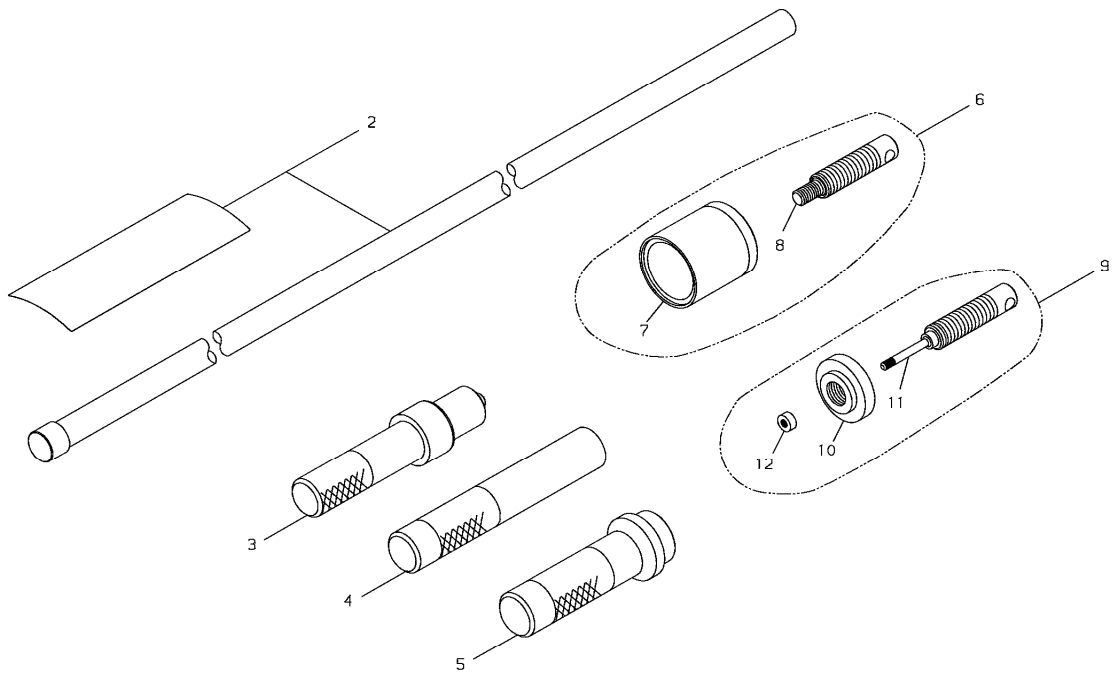
KEY	LV	PART NUMBER	Q'TY	DESCRIPTION	REMARKS	NOTE1	NOTE2
1		72550-16001	1	GUARD ASSY			
2		72480-16113	1	GUARD			
3	•	72480-16121	1	CUTTER			
4	•	11020-05160	2	BOLT SW		M5x16	
5	•	22420-16120	2	NUT			
6	•	72480-16210	1	UPPER CLAMP			
7	•	11022-05450	4	BOLT SPW		M5x45	
8	•	72017-16130	1	LOWER CLAMP			
9	•	11022-06400	1	BOLT SPW		M6x40	
10	•	01500-06051	1	NUT	M6	M6	
11	•	01613-06100	1	WASHER		6mm	
12	•	11202-40100	1	SCREW HILO 4X10		4x10	
13	•	64007-67011	1	HARNESS ASSY			
14		7245117350	1	PAD			
15		7245117360	1	PAD			
16		72451-17340	5	BUCKLE			
17		72451-17330	1	PROTECTOR			
18		72451-17380	1	HOOK			
19		72451-17370	1	PAD			

12. Ref.12



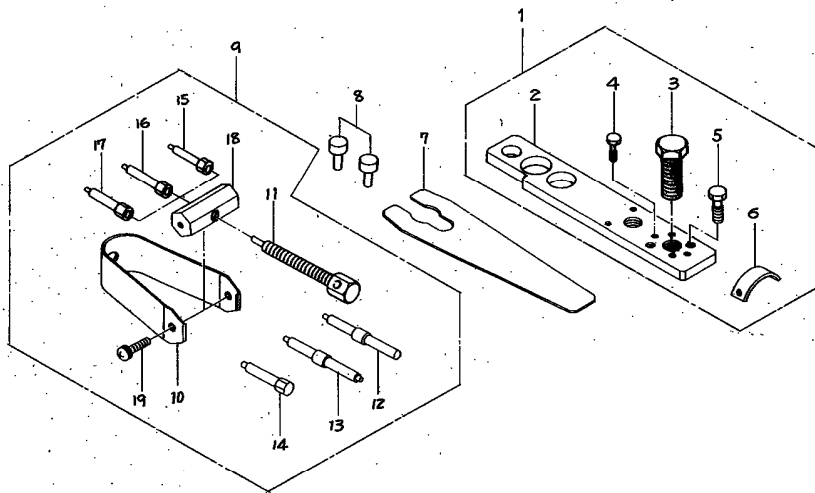
KEY	LV	PART NUMBER	Q'TY	DESCRIPTION	REMARKS	NOTE1	NOTE2
1		7201791001	1	TOOL-S			
2	•	72518-91180	1	WRENCH 17X19		19x17	
3	•	09026-04001	1	HEXA WRENCH	4MM M5㉿	4mm M5	
4	•	09026-05001	1	HEXA WRENCH 6MM		5mm M6	
5	•	19639-01700	1	TOOL BAG		H-8 170*240*10.08	

13. Ref.13



KEY	LV	PART NUMBER	Q'TY	DESCRIPTION	REMARKS	NOTE1	NOTE2
2		22000-96101	1	ROD BUSHING ASSY			
3		22015-96210	1	ROD			
4		22015-96310	1	ROD			
5		22015-96410	1	ROD			
6		22015-96500	1	PULLER ASSY			
7	•	22015-96510	1	HOLDER			
8	•	22015-96520	1	BOLT			
9		22015-96601	1	PULLER ASSY			
10	•	22015-96610	1	HOLDER A			
11	•	22000-96622	1	BOLT			
12	•	22000-96630	1	NUT			

14. Ref.14



KEY	LV	PART NUMBER	Q'TY	DESCRIPTION	REMARKS	NOTE1	NOTE2
1		20000-96104	1	PULLER ASSY			
2	•	20000-96114	1	LEVER			
3	•	22100-96121	1	CENTER BOLT			
4	•	20000-96130	3	BOLT			
5	•	20000-96140	2	BOLT			
6		20000-96210	1	AIR GAP GAUGE			
7		20000-96411	1	ROTOR SPANNER			
8		20021-96420	2	STOPPER			
9		20021-96601	1	PULLER ASSY			
10	•	20021-96611	1	PULLER			
11	•	20021-96621	1	BOLT			
12	•	20000-96631	1	GUIDE PIN			
13	•	20035-96630	1	GUIDE PIN			
14	•	20021-96630	1	GUIDE PIN			
15	•	20021-96650	1	PIN ADAPTER			
16	•	20021-96660	1	PIN ADAPTER			
17	•	20021-96670	1	PIN ADAPTER			
18	•	20000-96640	1	BOSS			
19	•	01211-06120	2	SCREW SW			

Index

Patrs Number	Key No.	Patrs Number	Key No.	Patrs Number	Key No.
01020-04240	10 - 6	14352-02401	6 - 51	20010-41111	3 - 3
01020-04240	4 - 12	19401-00269	8 - 10	20010-41210	3 - 4
01020-05250	1 - 3	19404-00008	6 - 44	20010-41310	3 - 5
01020-05250	2 - 27	19420-00027	5 - 20	20010-41330	3 - 7
01020-05300	2 - 8	19420-00084	8 - 8	20010-42002	3 - 9
01020-06250	1 - 11	19422-00029	8 - 9	20010-71631	4 - 11
01211-06120	14 - 19	19639-01700	12 - 5	20010-71650	4 - 14
01500-05041	8 - 6	20000-31140	9 - 13	20010-75190	5 - 8
01500-06051	11 - 10	20000-72230	4 - 10	20010-75210	5 - 9
01600-04101	4 - 13	20000-76210	5 - 16	20010-75230	5 - 10
01600-05131	1 - 4	20000-81130	6 - 2	20010-81701	6 - 35
01600-05131	2 - 28	20000-81150	6 - 4	20010-81711	6 - 36
01610-05080	2 - 29	20000-81170	6 - 5	20010-81760	6 - 38
01613-06100	11 - 11	20000-81310	6 - 9	20010-81771	6 - 43
02000-06001	9 - 11	20000-81320	6 - 10	20010-81781	6 - 41
02000-06202	9 - 4	20000-81330	6 - 7	20010-86130	7 - 24
02002-06001	9 - 12	20000-81340	6 - 8	20011-12212	1 - 5
02006-06000	9 - 3	20000-81441	6 - 22	20011-12212	6 - 56
02006-06002	2 - 10	20000-81540	6 - 30	20011-12221	1 - 6
02403-03100	4 - 2	20000-81650	6 - 19	20011-12260	1 - 8
02432-28120	9 - 14	20000-81730	6 - 37	20011-31230	2 - 13
02432-32120	2 - 11	20000-81735	6 - 42	20011-35110	2 - 22
02432-35150	9 - 9	20000-81740	6 - 39	20011-35141	2 - 25
09026-04001	12 - 3	20000-81750	6 - 40	20011-35151	2 - 26
09026-05001	12 - 4	20000-83312	6 - 47	20011-71660	4 - 6
11020-05160	11 - 4	20000-85221	7 - 11	20011-72110	4 - 7
11020-05500	6 - 45	20000-85303	7 - 12	20011-72120	4 - 8
11022-04160	5 - 18	20000-85313	7 - 14	20011-81021	6 - 1
11022-05120	8 - 4	20000-85321	7 - 16	20011-81140	6 - 3
11022-05160	2 - 31	20000-85340	7 - 13	20011-81182	6 - 6
11022-05180	2 - 20	20000-85350	7 - 15	20011-81351	6 - 11
11022-05200	2 - 14	20000-85440	7 - 19	20011-81360	6 - 12
11022-05200	2 - 24	20000-85500	7 - 3	20011-81410	6 - 21
11022-05250	10 - 17	20000-85511	7 - 4	20011-81420	6 - 23
11022-05250	1 - 7	20000-85521	7 - 8	20011-81430	6 - 20
11022-05300	2 - 15	20000-85572	7 - 9	20011-81451	6 - 24
11022-05450	11 - 7	20000-96104	14 - 1	20011-81460	6 - 25
11022-06140	9 - 17	20000-96114	14 - 2	20011-81470	6 - 26
11022-06280	9 - 18	20000-96130	14 - 4	20011-81510	6 - 27
11022-06400	11 - 9	20000-96140	14 - 5	20011-81520	6 - 28
11024-04160	2 - 17	20000-96210	14 - 6	20011-81530	6 - 29
11024-05120	1 - 12	20000-96411	14 - 7	20011-81550	6 - 13
11060-04203	5 - 19	20000-96631	14 - 12	20011-81563	6 - 32
11202-40100	11 - 12	20000-96640	14 - 18	20011-81573	6 - 31
11210-06250	10 - 21	20005-83160	6 - 53	20011-81581	6 - 34
11527-10212	4 - 3	20010-12121	1 - 2	20011-81590	6 - 33
12492-50100	2 - 7	20010-12121	3 - 2	20011-81621	6 - 16
12900-62020	2 - 2	20010-21211	2 - 3	20011-81630	6 - 15
12900-62020	2 - 5	20010-21211	2 - 6	20011-81641	6 - 18

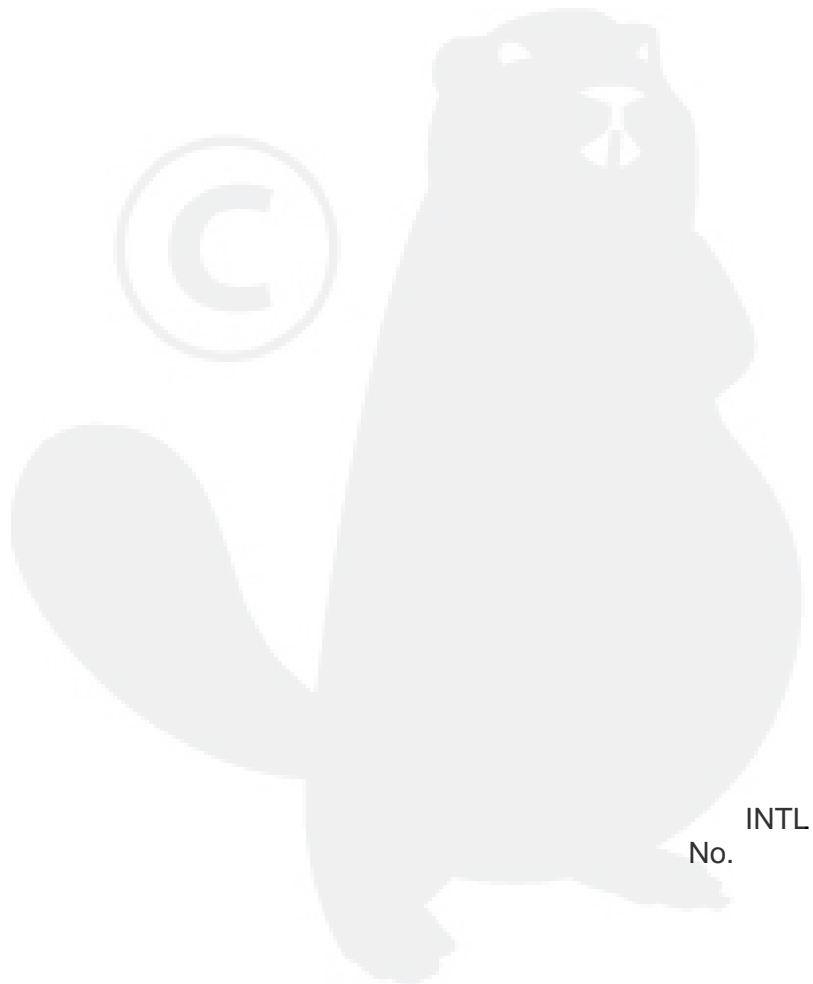
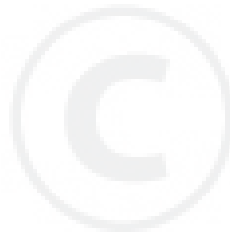
Index

Patrs Number	Key No.	Patrs Number	Key No.	Patrs Number	Key No.
20011-81680	6 - 14	22015-13420	9 - 16	70012-98021	6 - 54
20011-81910	6 - 59	22015-14140	10 - 16	70012-98030	6 - 58
20011-81921	6 - 57	22015-14150	10 - 15	70014-74120	2 - 34
20011-83110	6 - 49	22015-14160	10 - 18	70043-85201	7 - 10
20011-83120	6 - 52	22015-14170	10 - 14	70062-21200	2 - 4
20011-83140	6 - 50	22015-14220	10 - 9	70084-31111	2 - 9
20011-83411	6 - 55	22015-14230	10 - 11	70131-34100	2 - 16
20011-85002	7 - 1	22015-14290	10 - 10	70131-75110	5 - 2
20011-85112	7 - 2	22015-14301	10 - 1	70131-75120	5 - 3
20011-85401	7 - 17	22015-14321	10 - 5	70131-75140	5 - 6
20011-85451	7 - 18	22015-14331	10 - 4	70131-75200	5 - 11
20011-86120	7 - 25	22015-14340	10 - 3	70131-75211	5 - 12
20020-51112	3 - 11	22015-14390	10 - 7	70131-75900	5 - 1
20020-51121	3 - 12	22015-96210	13 - 3	70196-12110	1 - 1
20020-51131	3 - 13	22015-96310	13 - 4	70200-33112	2 - 30
20020-51140	3 - 14	22015-96410	13 - 5	70200-41341	3 - 8
20020-51150	3 - 15	22015-96500	13 - 6	70200-71200	4 - 1
20020-75180	5 - 7	22015-96510	13 - 7	70200-71610	4 - 4
20020-76111	5 - 17	22015-96520	13 - 8	70200-71640	4 - 5
20020-81660	6 - 17	22015-96601	13 - 9	70210-51100	3 - 10
20020-85540	6 - 46	22015-96610	13 - 10	70210-51160	3 - 16
20020-86140	7 - 28	22017-12210	8 - 3	72005-12140	8 - 11
20021-86110	7 - 26	22017-12410	8 - 7	72017-13013	9 - 1
20021-96420	14 - 8	22017-17110	8 - 12	72017-16130	11 - 8
20021-96601	14 - 9	22020-14200	10 - 8	72017-63170	9 - 22
20021-96611	14 - 10	22100-41230	3 - 6	7201791001	12 - 1
20021-96621	14 - 11	22100-85240	7 - 7	72051-98011	3 - 1
20021-96630	14 - 14	22100-85250	7 - 6	72051-98310	3 - 17
20021-96650	14 - 15	22100-85260	7 - 5	72447-13121	9 - 5
20021-96660	14 - 16	22100-85411	7 - 22	72447-13240	9 - 20
20021-96670	14 - 17	22100-85420	7 - 23	72451-17330	11 - 17
20024-75130	5 - 4	22100-85431	7 - 21	72451-17340	11 - 16
20024-75220	5 - 13	22100-96121	14 - 3	7245117350	11 - 14
20024-75230	5 - 14	22102-72220	4 - 9	7245117360	11 - 15
20024-75240	5 - 15	22102-85440	7 - 20	72451-17370	11 - 19
20035-75170	5 - 5	22420-16120	11 - 5	72451-17380	11 - 18
20035-96630	14 - 13	62104-15110	1 - 9	72480-16113	11 - 2
22000-96101	13 - 2	62104-15210	1 - 10	72480-16121	11 - 3
22000-96622	13 - 11	62104-32310	2 - 19	72480-16210	11 - 6
22000-96630	13 - 12	62104-32321	2 - 21	72518-91180	12 - 2
22015-12120	8 - 2	62112-31210	2 - 12	72550-16001	11 - 1
22015-13210	9 - 7	62112-32110	2 - 18	72555-14100	10 - 12
22015-13220	9 - 8	62112-83010	6 - 48	72555-14110	10 - 19
22015-13230	9 - 6	62112-91320	2 - 32	72555-14120	10 - 20
22015-13261	9 - 24	63020-63111	9 - 2	72555-14130	10 - 13
22015-13270	9 - 23	63080-62010	8 - 1	72930-14210	2 - 33
22015-13290	9 - 21	64007-67011	11 - 13	72935-21101	2 - 1
22015-13390	9 - 10	70005-86131	7 - 27	72935-61240	10 - 2
22015-13410	9 - 15	70012-35130	2 - 23	CJ 8	4 - 15

YAMABIKO CORPORATION

7-2 SUEHIROCHO 1-CHOME, OHME, TOKYO 198-8760, JAPAN
PHONE: 81-428-32-6118. FAX: 81-428-32-6145.

shindaiwa[®]



INTL
No.