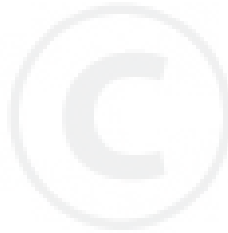


shindaiwa®

PARTS CATALOG

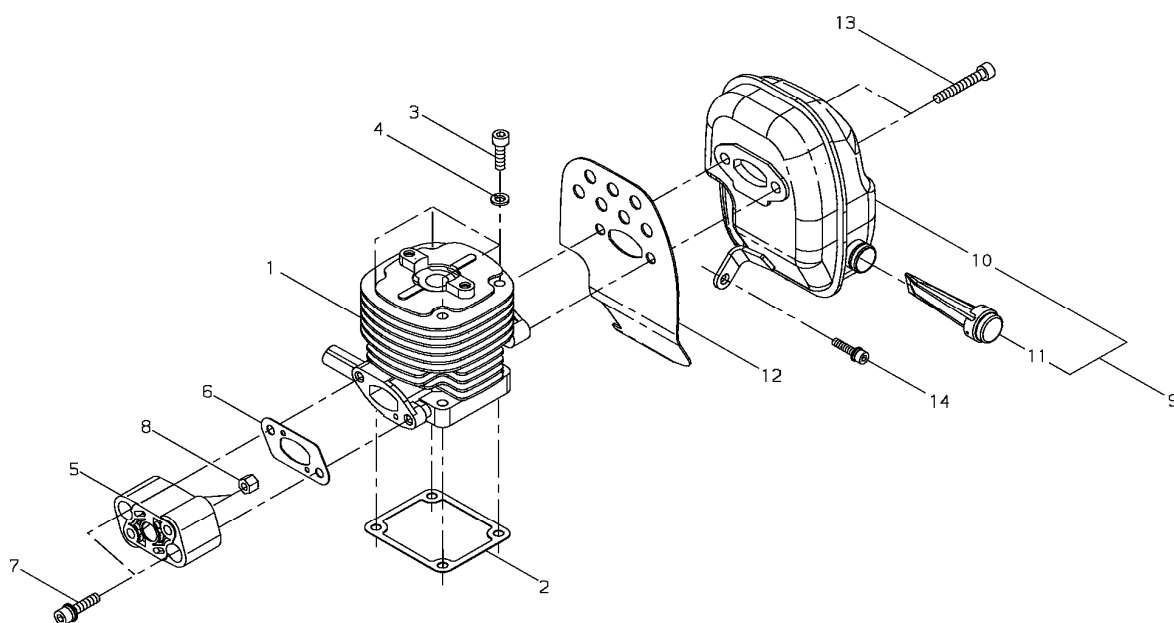
BRUSHCUTTER

C350 EC1



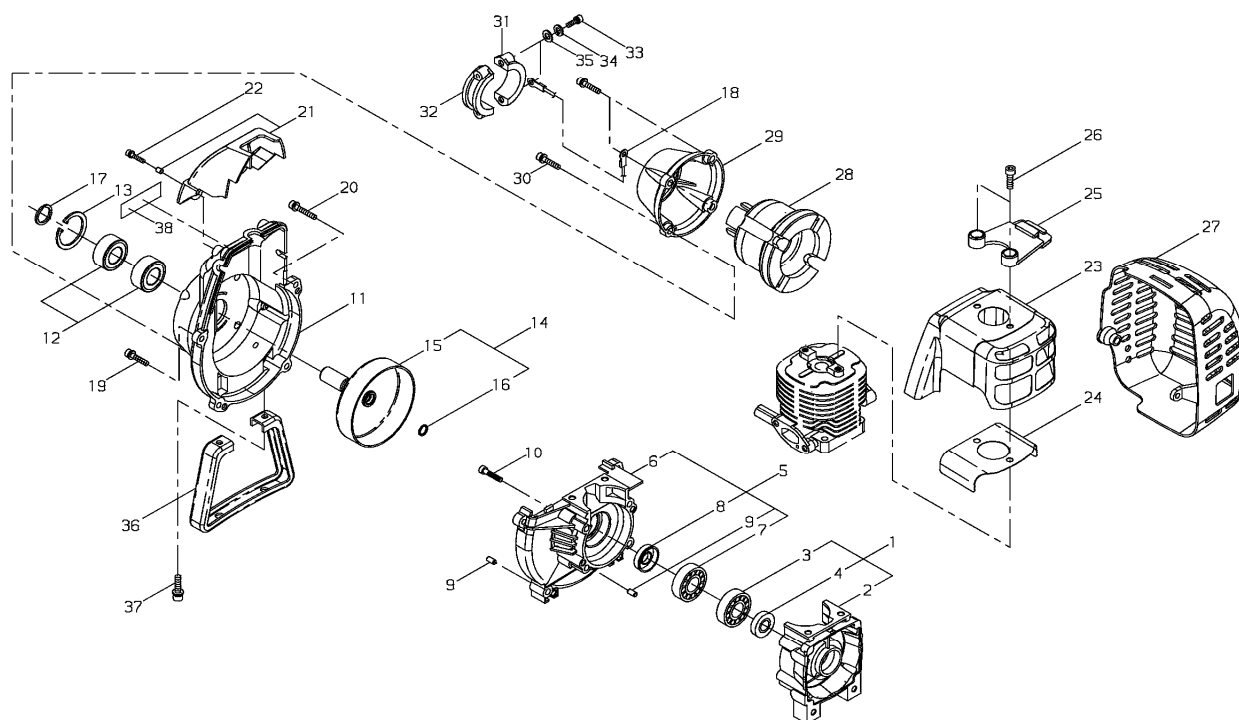
C350 EC1

1. Ref.1



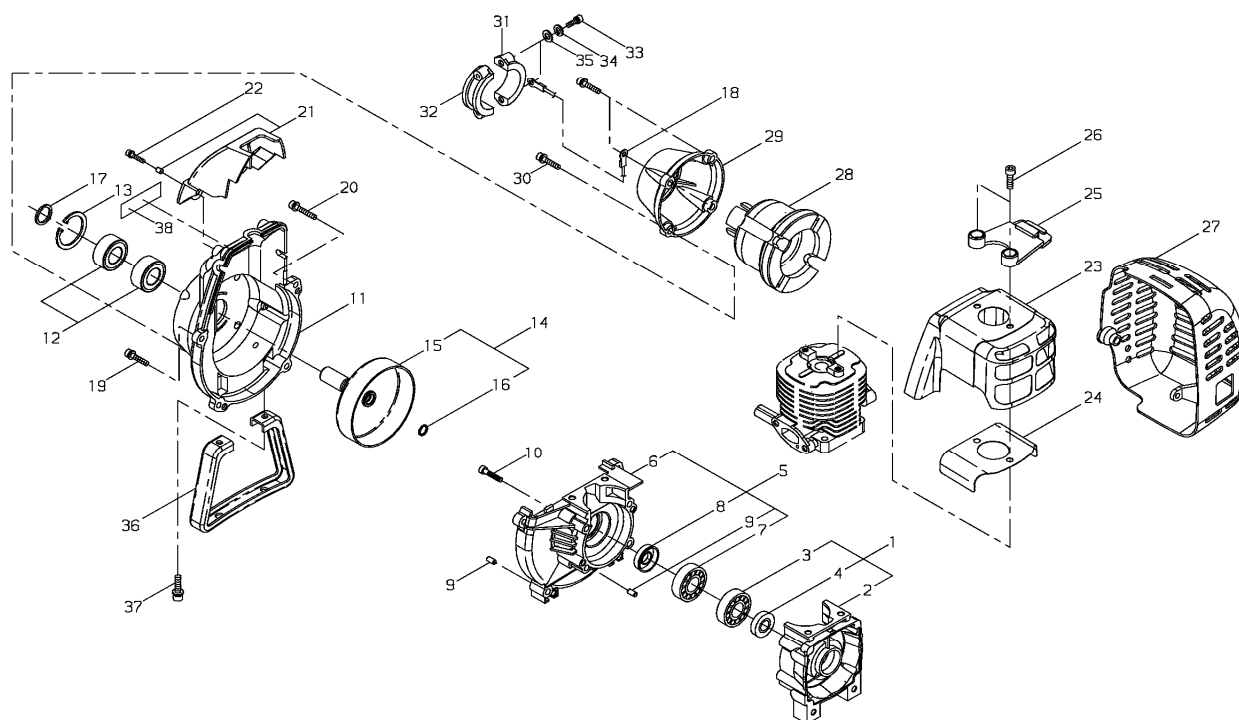
KEY	LV	PART NUMBER	Q'TY	DESCRIPTION	REMARKS	NOTE1	NOTE2
1		70196-12110	1	CYLINDER			
2		20010-12121	1	GASKET CYLINDER			
3		01020-05250	4	BOLT		M5x25	
4		01600-05131	4	SPRING WASHER		5mm	
5		20060-12210	1	INSULATOR			
6		20011-12221	1	GASKET			
7		11022-05250	2	BOLT SPW		M5x25	
8		20024-12260	2	NUT			
9		62102-15010	1	MUFFLER ASSY			
10		62104-15110	1	MUFFLER			
11		70200-15151	1	SPARK ARRESTER			
12		62104-15210	1	GASKET			
13		01020-06250	2	BOLT		M6x25	
14		11024-05120	1	BOLT SLPW		M5x12	

2. Ref.2



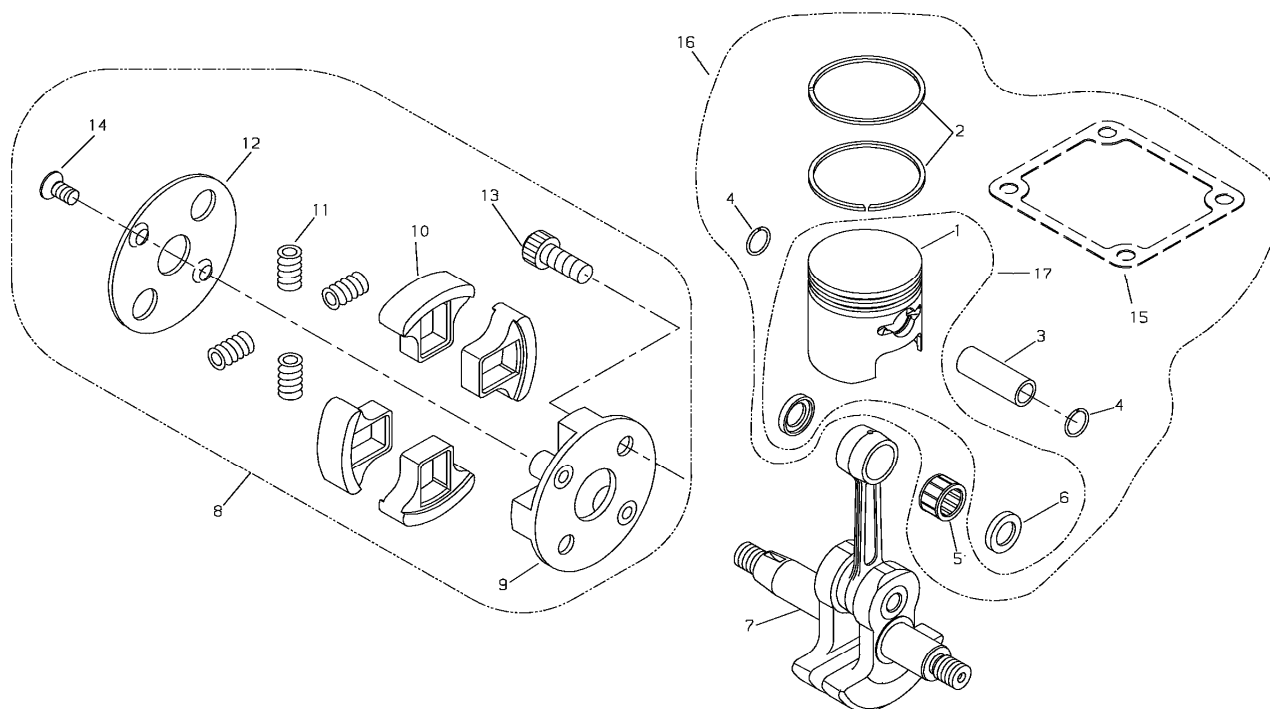
KEY	LV	PART NUMBER	Q'TY	DESCRIPTION	REMARKS	NOTE1	NOTE2
1		72935-21101	1	CRANK CASE S COMP			
2	•	72935-21111	1	CRANK CASE S			
3	•	12900-62020	1	BEARING		6202,C3	
4	•	20010-21211	1	OIL SEAL			
5		70062-21200	1	CRANK CASE M COMP			
6	•	72921-21121	1	CRANK CASE M			
7	•	12900-62020	1	BEARING		6202,C3	
8	•	20010-21211	1	OIL SEAL			
9	•	12492-50100	4	ROLLER		φ5xL10	
10		01020-05300	4	BOLT		M5x30	
11		70012-31111	1	FAN COVER			
12		02006-06002	2	BEARING		6002DDU	
13		02432-32120	1	SNAP RING		32mm C	
14		20011-31200	1	CLUTCH DRUM SET			
15		20011-31210	1	CLUTCH DRUM			
16		20011-31220	1	SNAP RING			
17		20011-31230	1	SNAP RING			
18		70192-31510	1	EARTH CORD			
19		11022-05200	3	BOLT SPW		M5x20	
20		11022-05300	1	BOLT SW		M5x30	
21		70131-34100	1	PROTECTOR COMP			
22	•	11024-04160	2	BOLT SLPW		M4x16	
23	•	70196-32110	1	CYLINDER COVER			
24		70196-32141	1	GASKET			
25		62104-32310	1	STAY			
26		11022-05180	2	BOLT SPW		M5x18	

2. Ref.2



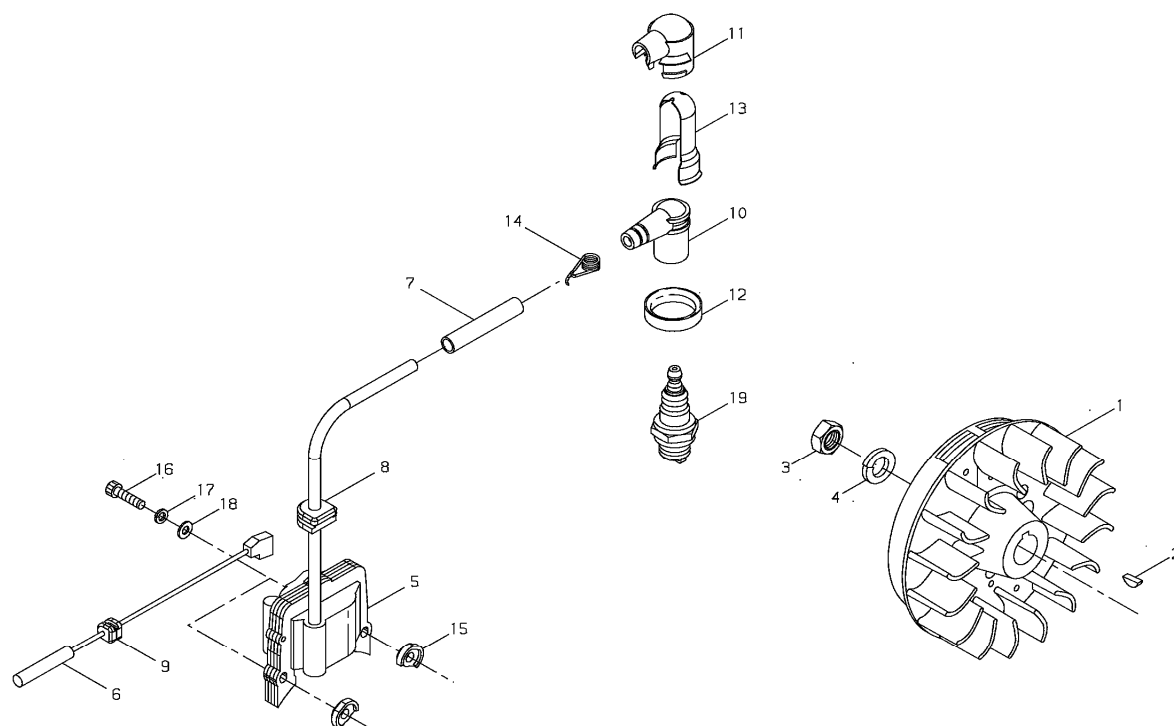
KEY	LV	PART NUMBER	Q'TY	DESCRIPTION	REMARKS	NOTE1	NOTE2
27		62104-32321	1	MUFFLER COVER			
28		20011-35110	1	JOINT			
29		70012-35130	1	CAP JOINT			
30		11022-05200	4	BOLT SPW		M5x20	
31		20011-35141	1	CLAMP A			
32		20011-35151	1	CLAMP B			
33		01020-05250	2	BOLT		M5x25	
34		01600-05131	2	SPRING WASHER		5mm	
35		01610-05080	2	WASHER		5mm	
36		70200-33112	1	STAND			
37		11022-05160	2	BOLT SPW		M5x16	
38		70200-31151	1	LABEL TRADE			

3. Ref.3



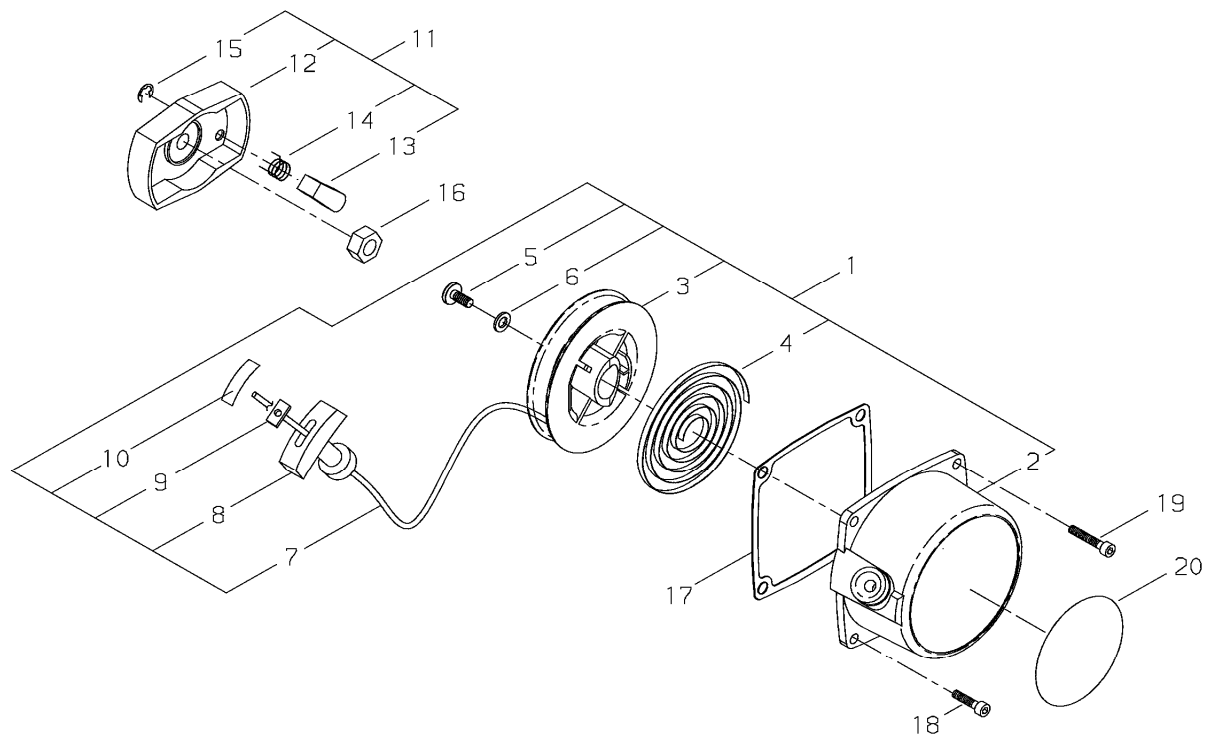
KEY	LV	PART NUMBER	Q'TY	DESCRIPTION	REMARKS	NOTE1	NOTE2
16		72051-98011	1	PISTON SET			
17	•	72051-98310	1	PISTON SET			
1	• •	20010-41111	1	PISTON			
6	• •	70200-41341	2	THRUST WASHER			
2	•	20010-41210	2	PISTON RING			
3	•	20010-41310	1	PISTON PIN			
4	•	22100-41230	2	SNAP RING			
5	•	20010-41330	1	NEEDLE BEARING			
15	•	20010-12121	1	GASKET CYLINDER			
7		20010-42002	1	CRANK SHAFT ASSY			
8		70210-51100	1	CLUTCH SHOE ASSY			
9	•	20020-51112	1	CLUTCH BOSS			
10	•	20020-51121	4	CLUTCH SHOE			
11	•	20020-51131	4	SPRING			
12	•	20020-51140	1	PLATE			
13	•	20020-51150	2	CLUTCH BOLT			
14	•	70210-51160	2	SCREW FLAT			

4. Ref.4



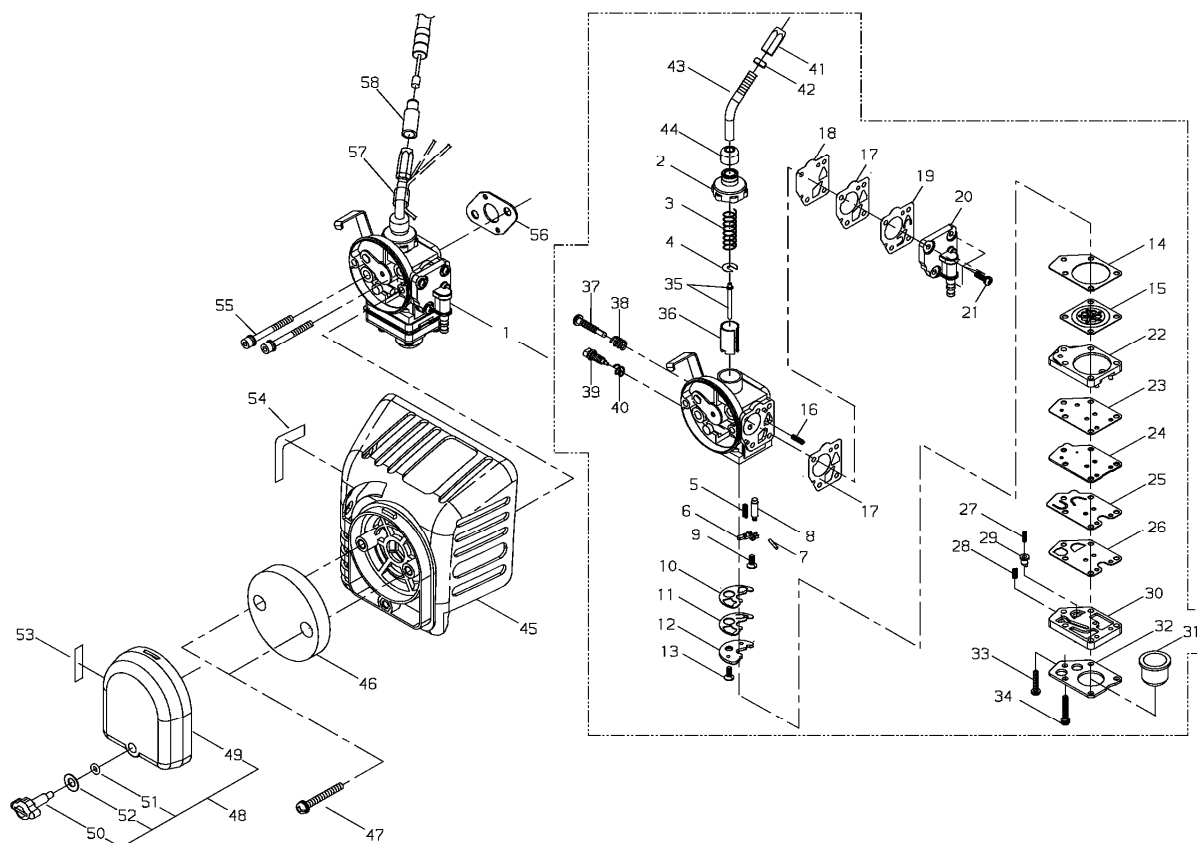
KEY	LV	PART NUMBER	Q'TY	DESCRIPTION	REMARKS	NOTE1	NOTE2
1		70200-71200	1	ROTOR			
2		02403-03100	1	KEY	3*10	3x10	
3		01511-10061	1	NUT		M10	
4		01600-10251	1	SPRING WASHER		10mm	
5		70200-71610	1	COIL			
6		70200-71640	1	CORD			
7		20011-71660	1	TUBE			
8		20011-72110	1	GROMMET			
9		20011-72120	1	GROMMET			
10		20010-72221	1	PLUG CAP			
11		20000-72241	1	PLUG CAP COVER			
12		20000-72250	1	COVER BAND			
13		70180-72260	1	SHIELD			
14		20000-72230	1	SPRING SPARK PLUG			
15		20010-71631	2	SPACER COIL			
16		01020-04240	2	BOLT		M4x24	
17		01600-04101	2	SPRING WASHER		4mm	
18		20010-71650	2	WASHER			
19		13000-13406	1	SPARK PLUG BMR6A		BMR6A	

5. Ref.5



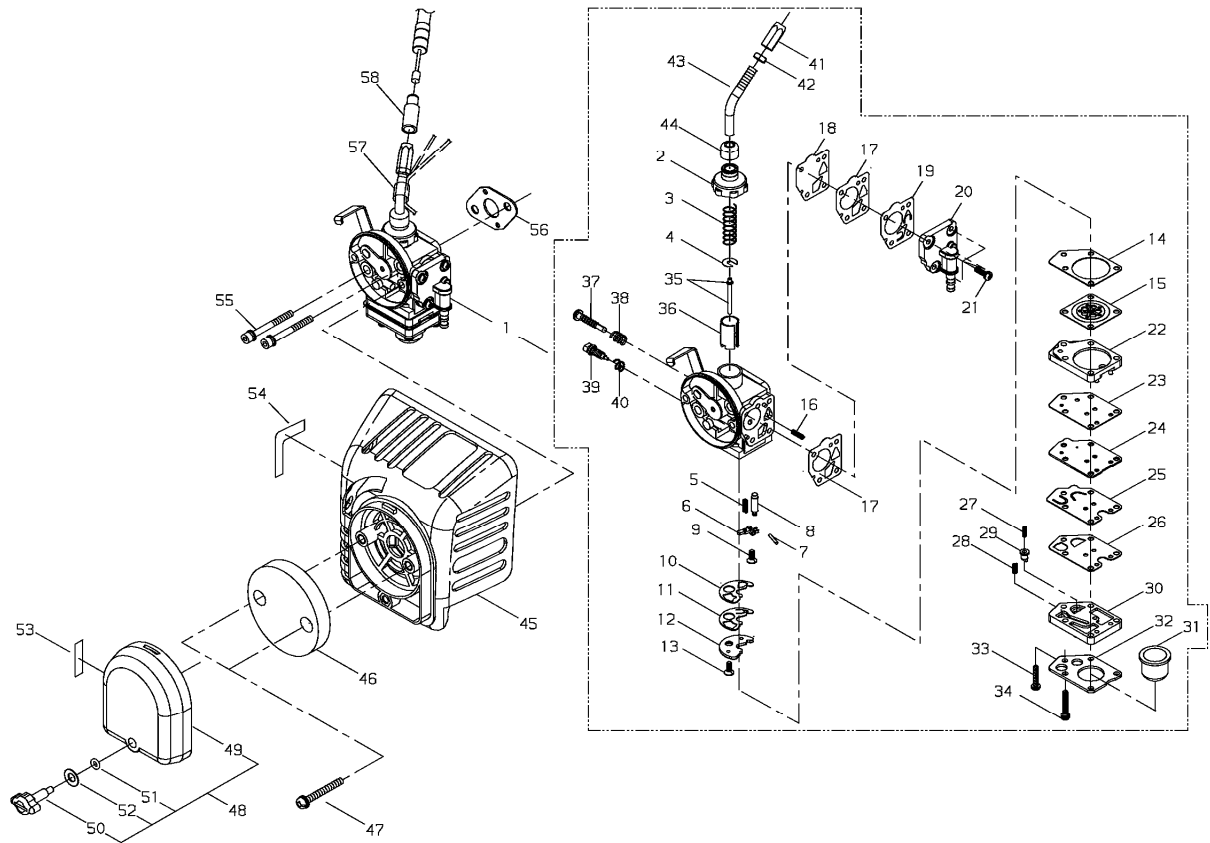
KEY	LV	PART NUMBER	Q'TY	DESCRIPTION	REMARKS	NOTE1	NOTE2
1		70131-75900	1	RECOIL STARETR			
2	•	70131-75110	1	STARTER CASE			
3	•	70131-75120	1	REEL			
4	•	20024-75130	1	RECOIL SPRING			
5	•	20035-75170	1	SCREW			
6	•	70131-75140	1	WASHER			
7	•	20020-75180	1	ROPE			
8	•	20010-75190	1	STARTER KNOB			
9	•	20010-75210	1	STOPPER			
10	•	20010-75230	1	TAPE			
11		70131-75200	1	STARTER PULLY ASSY			
12	•	70131-75211	1	STARTER PULLEY			
13	•	20024-75220	1	RATCHET			
14	•	20024-75230	1	RETURN SPRING			
15	•	20024-75240	1	E RING			
16		20000-76210	1	NUT			
17		20020-76111	1	GASKET STARTER			
18		11022-04160	3	BOLT SPW		M4x16	
19		11060-04203	1	BOLT ADHESIVE		M4x20	
20		19420-00027	1	LABEL TRADE			

6. Ref.6



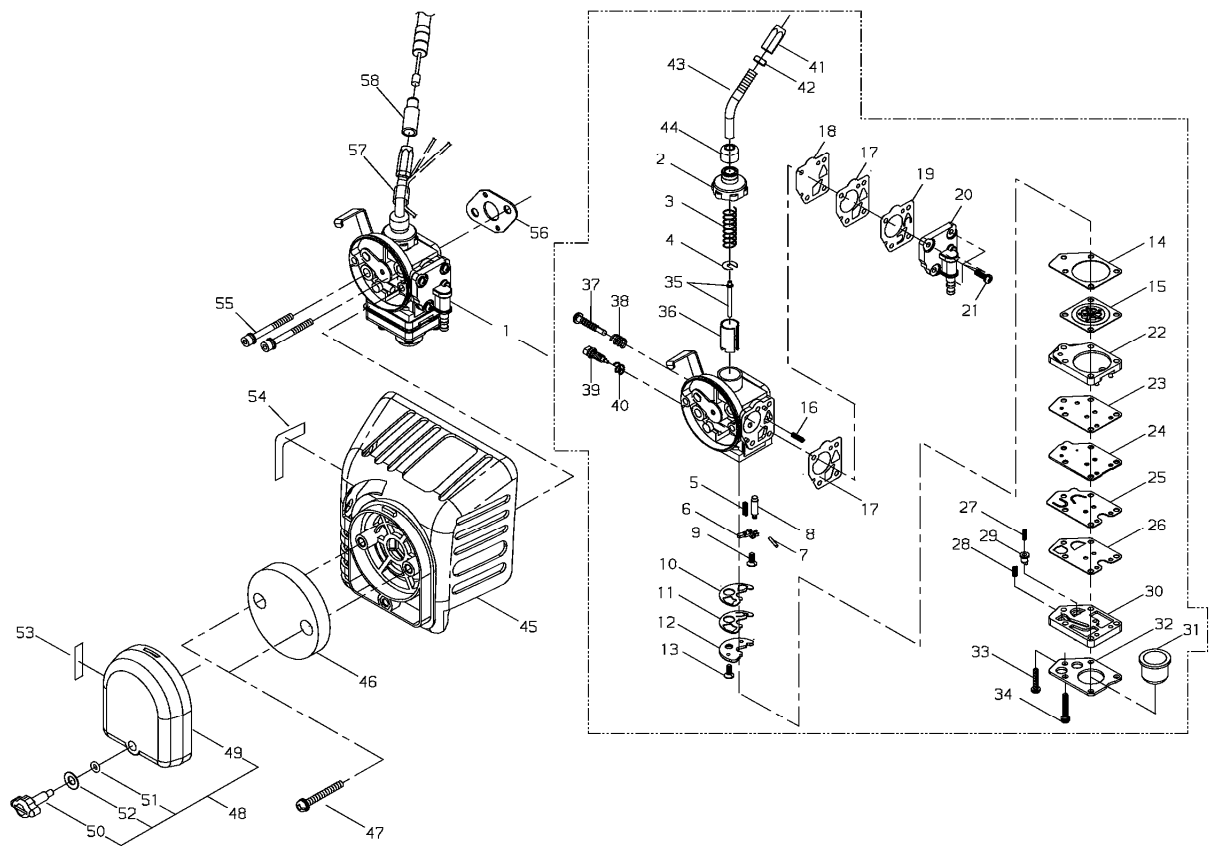
KEY	LV	PART NUMBER	Q'TY	DESCRIPTION	REMARKS	NOTE1	NOTE2
1		62102-81010	1	CABURETOR ASSY			
2	•	20055-81120	1	BODY CAP			
3	•	20003-81140	1	THROTTLE SPRING			
4	•	20000-81150	1	SPRING RECEIVE			
5	•	20040-81430	1	SPRING			
6	•	20011-81451	1	LEVER			
7	•	20011-81460	1	PIN			
8	•	20000-81441	1	NEEDLE VALVE			
9	•	20011-81470	1	SCREW			
10	•	20087-81420	1	PACKING			
11	•	20087-81411	1	CHECK VALVE			
12	•	70200-81430	1	PLATE			
13	•	20011-81470	1	SCREW			
14	•	20087-81510	1	GASKET			
15	•	20087-81520	1	DIAPHRAGM			
16	•	20040-81680	2	SPRING			
17	•	20011-81630	2	GASKET			
18	•	20011-81621	1	DIAPHRAGM			
19	•	20087-81660	1	PUMP VALVE			
20	•	20087-81641	1	PUMP BODY			
21	•	20000-81650	4	SCREW			
22	•	20087-81550	1	COVER			
23	•	20087-81890	1	PACKING			
24	•	20087-81560	1	PLATE			
25	•	20087-81571	1	CHECK VALVE			
26	•	20087-81540	1	GASKET			

6. Ref.6



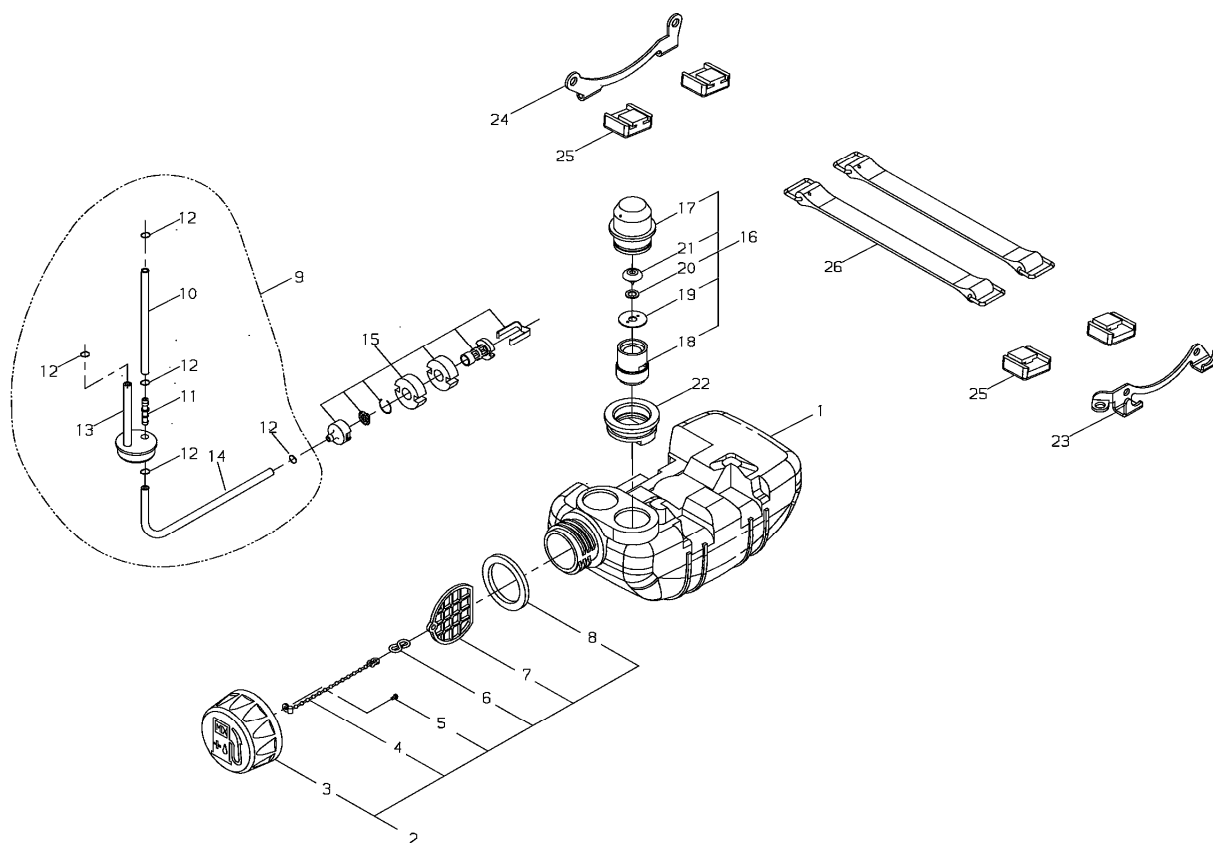
KEY	LV	PART NUMBER	Q'TY	DESCRIPTION	REMARKS	NOTE1	NOTE2
27	•	20087-81851	1	SPRING			
28	•	20087-81870	1	SPRING			
29	•	20087-81861	1	VALVE			
30	•	20087-81811	1	PUMP BASE			
31	•	20087-81820	1	PUMP			
32	•	20087-81830	1	PLATE			
33	•	20087-81840	1	SCREW			
34	•	20087-81880	4	SCREW			
35	•	62102-81320	1	JET NEEDLE			
36	•	70131-81180	1	THROTTLE VALVE			
37	•	20000-81310	1	SLOW STOP SCREW			
38	•	72920-81820	1	SPRING			
39	•	62102-81330	1	MAIN ADJ SCREW			
40	•	20011-81360	1	SPRING			
41	•	20055-81810	1	CABLE ADJUSTER			
42	•	20000-81260	1	LOCK NUT			
43	•	70107-81830	1	ADJUST PIPE			
44	•	20055-81130	1	CAP			
45		70102-81710	1	CLEANER BODY			
46		20056-81740	1	FILTER			
47		11207-04250	2	SCREW PM SLPW		M4x25	
48		20060-81761	1	CLEANER COVER COMP			
49	•	20060-81770	1	CLEANER COVER			
50	•	20060-81781	1	KNOB CLEANER COVER			
51	•	22100-82430	1	O RING			
52	•	20024-81790	1	CONE WASHER			

6. Ref.6



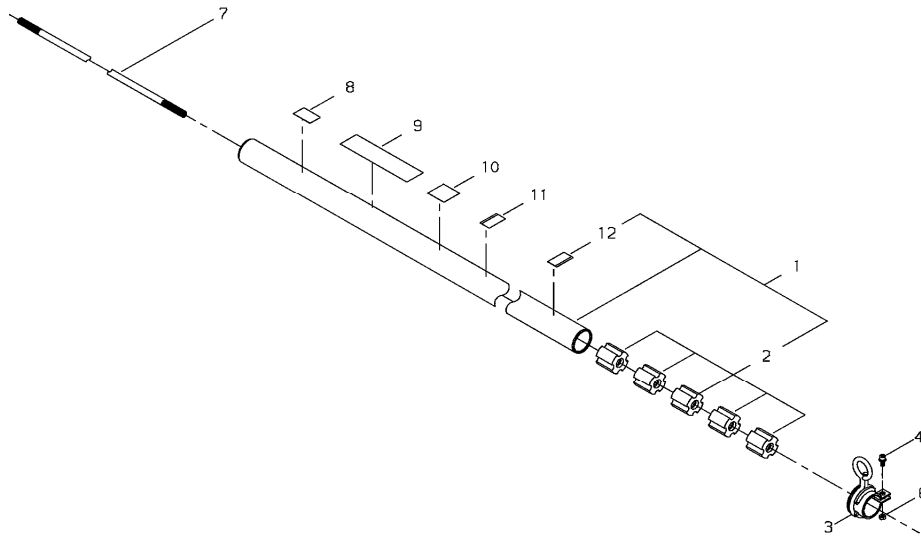
KEY	LV	PART NUMBER	Q'TY	DESCRIPTION	REMARKS	NOTE1	NOTE2
53		19404-00008	1	LABEL CHOKE			
54		19404-00010	1	LABEL CARBURETOR			
55		11022-05550	2	BOLT SW		M5x55	
56		20011-83411	1	GASKET CARBURETOR			
57		20060-83180	1	PIPE			
58		20005-83160	1	CABLE CAP			

7. Ref.7



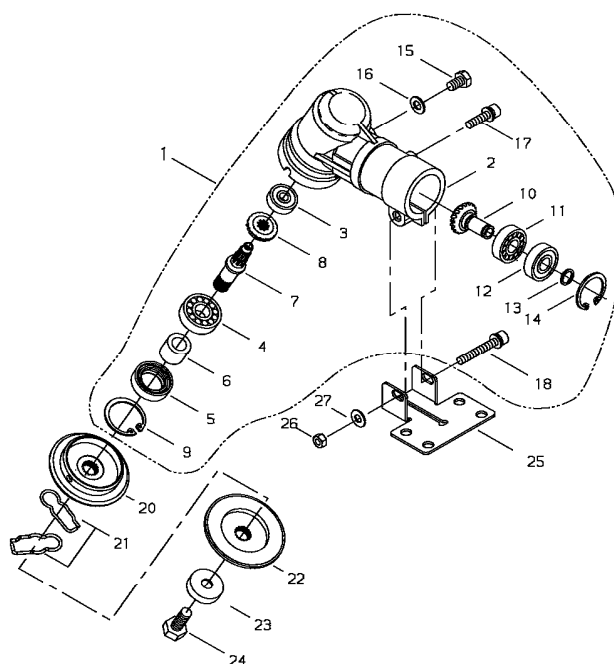
KEY	LV	PART NUMBER	Q'TY	DESCRIPTION	REMARKS	NOTE1	NOTE2
1		70200-85110	1	FUEL TANK			
2		70168-85201	1	FUEL CAP ASSY			
3	•	70168-85210	1	FUEL CAP			
4	•	22128-57250	1	CHAIN CAP			
5	•	01270-25064	1	SCREW TAPPING		2.5x6	
6	•	22150-21350	1	CLIP			
7	•	22155-21330	1	HOOK			
8	•	20000-85221	1	GASKET			
9		7020085301	1	FUEL PIPE ASSY			
10	•	70200-85310	1	FUEL PIPE			
11	•	72935-85330	1	JOINT			
12	•	20020-85540	5	CLIP			
13	•	70200-85350	1	GROMMET			
14	•	70200-85320	1	FUEL PIPE			
15		22169-35400	1	FUEL FILTER SUB ASSY			
16		20000-85500	1	BREATHER SUB ASSY			
17	•	20000-85511	1	CAP BREATHER			
18	•	20000-85521	1	HOLDER VALVE			
19	•	22100-85240	1	RETAINER FUEL			
20	•	22100-85250	1	WASHER FUEL			
21	•	22100-85260	1	VALVE FUEL			
22		20000-85572	1	GROMMET BREATHER			
23		20021-86110	1	BRACKET S			
24		20011-86120	1	BRACKET M			
25		20010-86130	4	CUSHION			
26		20010-86140	2	BAND			

8. Ref.8



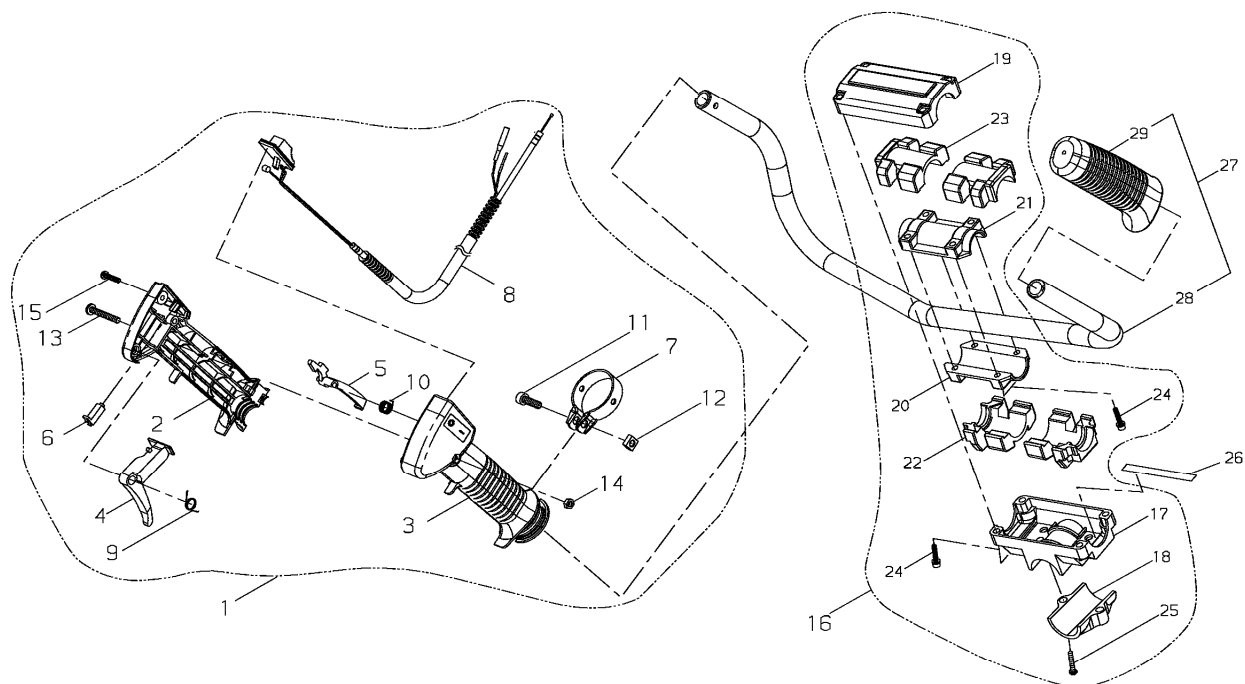
KEY	LV	PART NUMBER	Q'TY	DESCRIPTION	REMARKS	NOTE1	NOTE2
1		72540-12102	1	OUTER PIPE SUB ASSY			
2	▪	22015-12120	5	BUSHING			
3		22017-12210	1	HANGER			
4		11022-05120	1	BOLT SPW		M5x12	
6		01500-05041	1	NUT	M5	M5	
7		72540-12410	1	MAIN SHAFT			
8		19402-00223	1	LABEL CAUTION			MAX 8500MIN-1
9		19422-00010	1	LABEL CAUTION			
10		19404-00040	1	LABEL DECIBEL			115dB(A)
11		72017-12150	1	HANDLE LABEL			
12	▪	72005-12140	1	CAUTION PLATE			

9. Ref.9



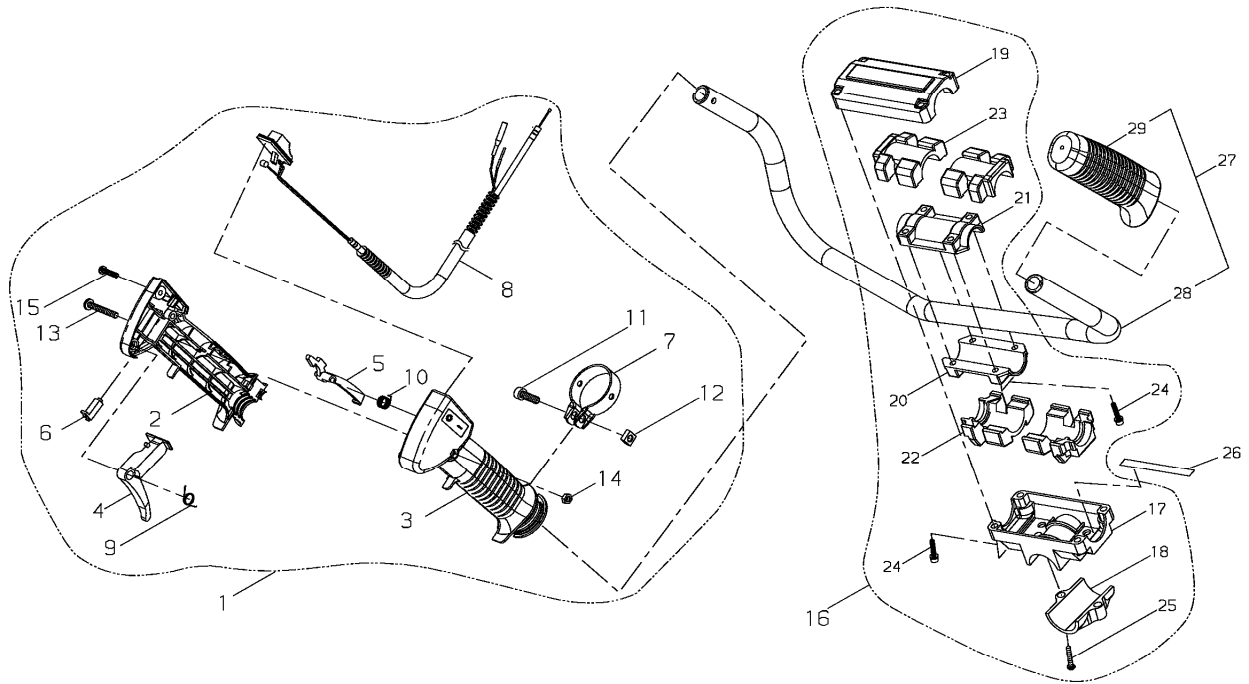
KEY	LV	PART NUMBER	Q'TY	DESCRIPTION	REMARKS	NOTE1	NOTE2
1		72554-63020	1	GEAR CASE COMP			
2	▪	63020-63111	1	GEAR CASE			
3	▪	02006-06000	1	BEARING		6000DDU	
4	▪	02000-06202	1	BEARING		6202	
5	▪	72447-13121	1	OIL SEAL			
6	▪	22015-13230	1	COLLAR			
7	▪	63019-63130	1	GEAR SHAFT			
8	▪	22015-13220	1	BEVEL GEAR			
9	▪	02432-35150	1	SNAP RING		35mm C	
10	▪	22015-13390	1	PINION SET			
11	▪	02000-06001	1	BEARING		6001	
12	▪	02002-06001	1	BEARING		6001ZZ	
13	▪	20000-31140	1	SNAP RING			
14	▪	02432-28120	1	SNAP RING		28mm C	
15	▪	22015-13410	1	BOLT			
16	▪	22015-13420	1	GASKET			
17	▪	11022-06140	1	BOLT SPW		M6x14	
18	▪	11022-06400	1	BOLT SPW		M6x40	
20		72447-13240	1	HOLDER A			
21		22015-13290	2	SLIDE PIN			
22		63020-63171	1	HOLDER			
23		22015-13270	1	BOLT GUARD			
24		63019-63310	1	BOLT			
25		72017-16130	1	LOWER CLAMP			
26		01500-06051	1	NUT	M6	M6	
27		01613-06100	1	WASHER		6mm	

10. Ref.10

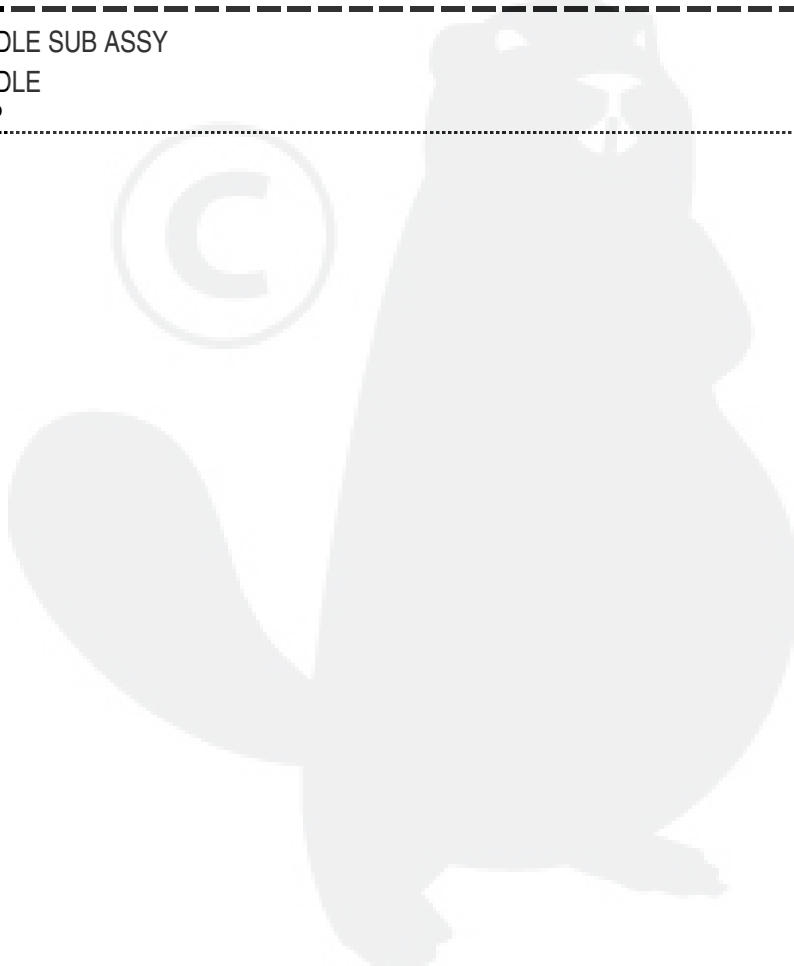


KEY	LV	PART NUMBER	Q'TY	DESCRIPTION	REMARKS	NOTE1	NOTE2
1		72451-14502	1	THROTTLE LEVER ASSY			
2	•	7245114510	1	BODY RIGHT			
3	•	7245114520	1	BODY LEFT			
4	•	72451-14530	1	LEVER			
5	•	72451-14540	1	LOCK LEVER			
6	•	72451-14550	1	BUTTON			
7	•	72451-14560	1	CLAMP			
8	•	72451-14570	1	THROTTLE CABLE COMP			
9	•	72451-14580	1	RETURN SPRING			
10	•	72451-14590	1	SPRING			
11	•	01020-06200	1	BOLT		M6x20	
12	•	72451-14610	1	NUT			
13	•	11203-05351	1	SCREW PM		M5x35	
14	•	72451-14630	1	NUT			
15	•	72451-14620	1	SCREW TAPPING			
16		72555-14100	1	BRACKET COMP			
17	•	72555-14110	1	HANDLE BRACKET			
18	•	72555-14120	1	LOWER CAP			
19	•	72555-14130	1	UPPER CAP			
20	•	22015-14140	1	LOWER CLAMP			
21	•	22015-14150	1	UPPER CLAMP			
22	•	22015-14160	2	LOWER CUSHION			
23	•	22015-14170	2	UPPER CUSHION			
24	•	11022-05250	8	BOLT SPW		M5x25	
25	•	11210-06250	2	SCREW BUTTON		M6x25	
26		72514-14190	1	EARTH CORD			

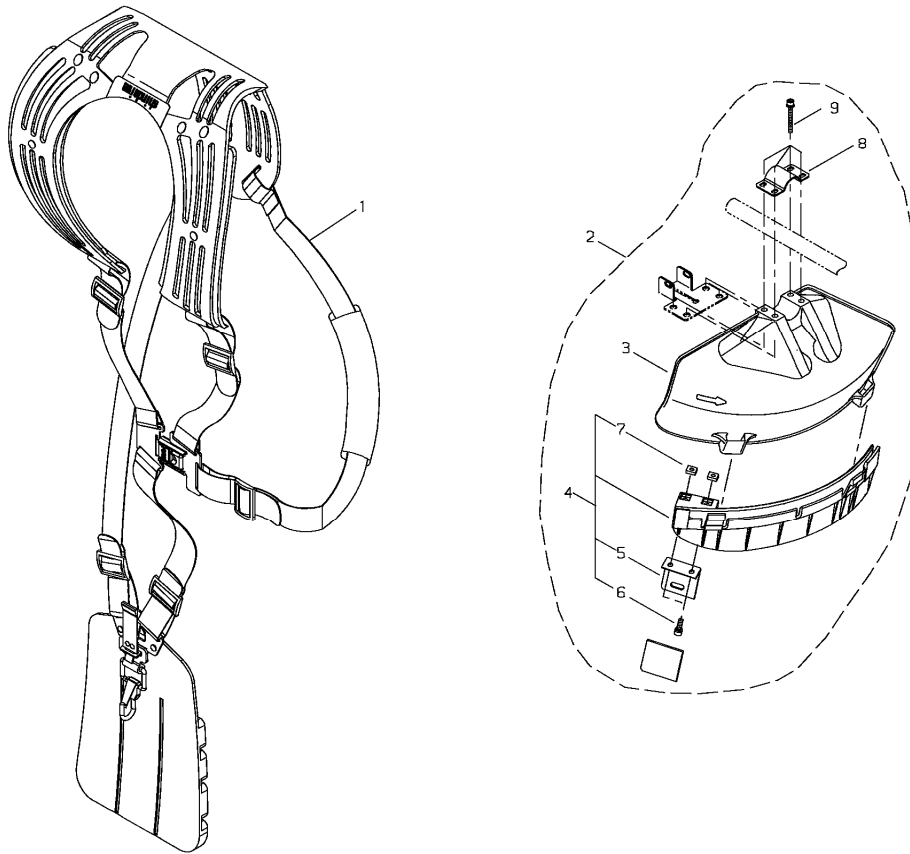
10. Ref.10



KEY	LV	PART NUMBER	Q'TY	DESCRIPTION	REMARKS	NOTE1	NOTE2
27		72540-14201	1	HANDLE SUB ASSY			
28	•	7254014212	1	HANDLE			
29	•	72451-14320	1	GRIP			

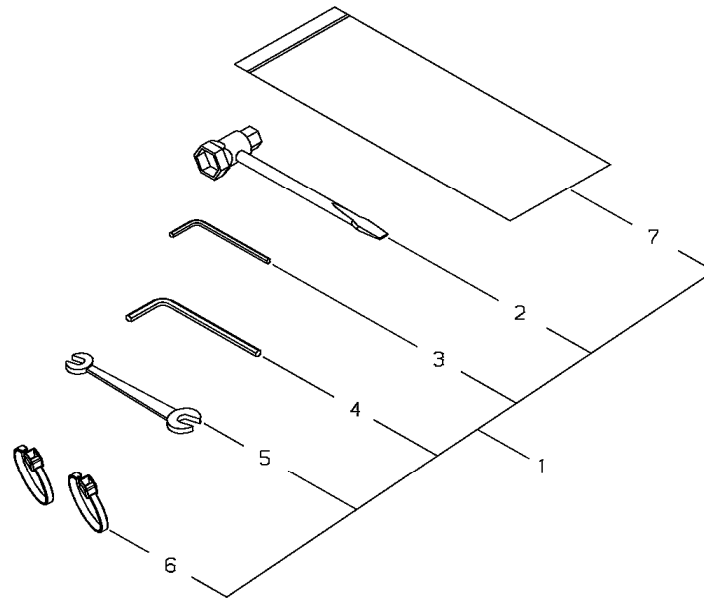


11. Ref.11



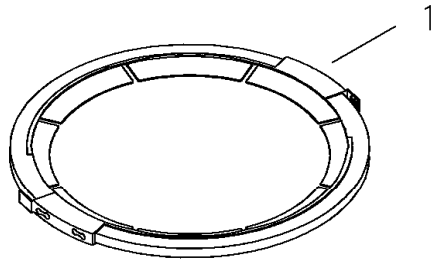
KEY	LV	PART NUMBER	Q'TY	DESCRIPTION	REMARKS	NOTE1	NOTE2
1		64007-67011	1	HARNESS ASSY			
2		64008-66311	1	GUARD SET			
3	•	62903-66111	1	GUARD			
4	•	62903-66332	1	SUB GUARD ASSY			
5	• •	72480-16121	1	CUTTER			
6	• •	11020-05160	2	BOLT SW		M5x16	
7	• •	22420-16120	2	NUT			
8	•	72480-16210	1	UPPER CLAMP			
9	•	11022-05450	4	BOLT SPW		M5x45	

12. Ref.12



KEY	LV	PART NUMBER	Q'TY	DESCRIPTION	REMARKS	NOTE1	NOTE2
1		72528-91001	1	TOOL SET			
2	•	22000-91181	1	PLUG WRENCH		19x13	
3	•	09026-04001	1	HEXA WRENCH	4MM M5㍻	4mm M5	
4	•	09026-05001	1	HEXA WRENCH 6MM		5mm M6	
5	•	22000-91120	1	SPANNER		8x10	
6	•	72431-12190	2	BAND			
7		19639-01400	1	BAG,PACKING	140*200*T0.08	140*200*t0.08	

13. Ref.13



KEY	LV	PART NUMBER	Q'TY	DESCRIPTION	REMARKS	NOTE1	NOTE2
1		22550-92310	1	BLADE COVER			



Index

Patrs Number	Key No.	Patrs Number	Key No.	Patrs Number	Key No.
01020-04240	4 - 16	12900-62020	2 - 7	20011-35141	2 - 31
01020-05250	1 - 3	13000-13406	4 - 19	20011-35151	2 - 32
01020-05250	2 - 33	19402-00223	8 - 8	20011-71660	4 - 7
01020-05300	2 - 10	19404-00008	6 - 53	20011-72110	4 - 8
01020-06200	10 - 11	19404-00010	6 - 54	20011-72120	4 - 9
01020-06250	1 - 13	19404-00040	8 - 10	20011-81360	6 - 40
01270-25064	7 - 5	19420-00027	5 - 20	20011-81451	6 - 6
01500-05041	8 - 6	19422-00010	8 - 9	20011-81460	6 - 7
01500-06051	9 - 26	19639-01400	12 - 7	20011-81470	6 - 9
01511-10061	4 - 3	20000-31140	9 - 13	20011-81470	6 - 13
01600-04101	4 - 17	20000-72230	4 - 14	20011-81621	6 - 18
01600-05131	1 - 4	20000-72241	4 - 11	20011-81630	6 - 17
01600-05131	2 - 34	20000-72250	4 - 12	20011-83411	6 - 56
01600-10251	4 - 4	20000-76210	5 - 16	20011-86120	7 - 24
01610-05080	2 - 35	20000-81150	6 - 4	20020-51112	3 - 9
01613-06100	9 - 27	20000-81260	6 - 42	20020-51121	3 - 10
02000-06001	9 - 11	20000-81310	6 - 37	20020-51131	3 - 11
02000-06202	9 - 4	20000-81441	6 - 8	20020-51140	3 - 12
02002-06001	9 - 12	20000-81650	6 - 21	20020-51150	3 - 13
02006-06000	9 - 3	20000-85221	7 - 8	20020-75180	5 - 7
02006-06002	2 - 12	20000-85500	7 - 16	20020-76111	5 - 17
02403-03100	4 - 2	20000-85511	7 - 17	20020-85540	7 - 12
02432-28120	9 - 14	20000-85521	7 - 18	20021-86110	7 - 23
02432-32120	2 - 13	20000-85572	7 - 22	20024-12260	1 - 8
02432-35150	9 - 9	20003-81140	6 - 3	20024-75130	5 - 4
09026-04001	12 - 3	20005-83160	6 - 58	20024-75220	5 - 13
09026-05001	12 - 4	20010-12121	1 - 2	20024-75230	5 - 14
11020-05160	11 - 6	20010-12121	3 - 15	20024-75240	5 - 15
11022-04160	5 - 18	20010-21211	2 - 4	20024-81790	6 - 52
11022-05120	8 - 4	20010-21211	2 - 8	20035-75170	5 - 5
11022-05160	2 - 37	20010-41111	3 - 1	20040-81430	6 - 5
11022-05180	2 - 26	20010-41210	3 - 2	20040-81680	6 - 16
11022-05200	2 - 19	20010-41310	3 - 3	20055-81120	6 - 2
11022-05200	2 - 30	20010-41330	3 - 5	20055-81130	6 - 44
11022-05250	10 - 24	20010-42002	3 - 7	20055-81810	6 - 41
11022-05250	1 - 7	20010-71631	4 - 15	20056-81740	6 - 46
11022-05300	2 - 20	20010-71650	4 - 18	20060-12210	1 - 5
11022-05450	11 - 9	20010-72221	4 - 10	20060-81761	6 - 48
11022-05550	6 - 55	20010-75190	5 - 8	20060-81770	6 - 49
11022-06140	9 - 17	20010-75210	5 - 9	20060-81781	6 - 50
11022-06400	9 - 18	20010-75230	5 - 10	20060-83180	6 - 57
11024-04160	2 - 22	20010-86130	7 - 25	20087-81411	6 - 11
11024-05120	1 - 14	20010-86140	7 - 26	20087-81420	6 - 10
11060-04203	5 - 19	20011-12221	1 - 6	20087-81510	6 - 14
11203-05351	10 - 13	20011-31200	2 - 14	20087-81520	6 - 15
11207-04250	6 - 47	20011-31210	2 - 15	20087-81540	6 - 26
11210-06250	10 - 25	20011-31220	2 - 16	20087-81550	6 - 22
12492-50100	2 - 9	20011-31230	2 - 17	20087-81560	6 - 24
12900-62020	2 - 3	20011-35110	2 - 28	20087-81571	6 - 25

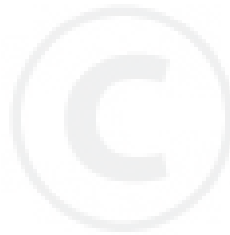
Index

Patrs Number	Key No.	Patrs Number	Key No.	Patrs Number	Key No.
20087-81641	6 - 20	63020-63111	9 - 2	7245114510	10 - 2
20087-81660	6 - 19	63020-63171	9 - 22	7245114520	10 - 3
20087-81811	6 - 30	64007-67011	11 - 1	72451-14530	10 - 4
20087-81820	6 - 31	64008-66311	11 - 2	72451-14540	10 - 5
20087-81830	6 - 32	70012-31111	2 - 11	72451-14550	10 - 6
20087-81840	6 - 33	70012-35130	2 - 29	72451-14560	10 - 7
20087-81851	6 - 27	70062-21200	2 - 5	72451-14570	10 - 8
20087-81861	6 - 29	70102-81710	6 - 45	72451-14580	10 - 9
20087-81870	6 - 28	70107-81830	6 - 43	72451-14590	10 - 10
20087-81880	6 - 34	70131-34100	2 - 21	72451-14610	10 - 12
20087-81890	6 - 23	70131-75110	5 - 2	72451-14620	10 - 15
22000-91120	12 - 5	70131-75120	5 - 3	72451-14630	10 - 14
22000-91181	12 - 2	70131-75140	5 - 6	72480-16121	11 - 5
22015-12120	8 - 2	70131-75200	5 - 11	72480-16210	11 - 8
22015-13220	9 - 8	70131-75211	5 - 12	72514-14190	10 - 26
22015-13230	9 - 6	70131-75900	5 - 1	72528-91001	12 - 1
22015-13270	9 - 23	70131-81180	6 - 36	72540-12102	8 - 1
22015-13290	9 - 21	70168-85201	7 - 2	72540-12410	8 - 7
22015-13390	9 - 10	70168-85210	7 - 3	72540-14201	10 - 27
22015-13410	9 - 15	70180-72260	4 - 13	7254014212	10 - 28
22015-13420	9 - 16	70192-31510	2 - 18	72554-63020	9 - 1
22015-14140	10 - 20	70196-12110	1 - 1	72555-14100	10 - 16
22015-14150	10 - 21	70196-32110	2 - 23	72555-14110	10 - 17
22015-14160	10 - 22	70196-32141	2 - 24	72555-14120	10 - 18
22015-14170	10 - 23	70200-15151	1 - 11	72555-14130	10 - 19
22017-12210	8 - 3	70200-31151	2 - 38	72920-81820	6 - 38
22100-41230	3 - 4	70200-33112	2 - 36	72921-21121	2 - 6
22100-82430	6 - 51	70200-41341	3 - 6	72935-21101	2 - 1
22100-85240	7 - 19	70200-71200	4 - 1	72935-21111	2 - 2
22100-85250	7 - 20	70200-71610	4 - 5	72935-85330	7 - 11
22100-85260	7 - 21	70200-71640	4 - 6		
22128-57250	7 - 4	70200-81430	6 - 12		
22150-21350	7 - 6	70200-85110	7 - 1		
22155-21330	7 - 7	7020085301	7 - 9		
22169-35400	7 - 15	70200-85310	7 - 10		
22420-16120	11 - 7	70200-85320	7 - 14		
22550-92310	13 - 1	70200-85350	7 - 13		
62102-15010	1 - 9	70210-51100	3 - 8		
62102-81010	6 - 1	70210-51160	3 - 14		
62102-81320	6 - 35	72005-12140	8 - 12		
62102-81330	6 - 39	72017-12150	8 - 11		
62104-15110	1 - 10	72017-16130	9 - 25		
62104-15210	1 - 12	72051-98011	3 - 16		
62104-32310	2 - 25	72051-98310	3 - 17		
62104-32321	2 - 27	72431-12190	12 - 6		
62903-66111	11 - 3	72447-13121	9 - 5		
62903-66332	11 - 4	72447-13240	9 - 20		
63019-63130	9 - 7	72451-14320	10 - 29		
63019-63310	9 - 24	72451-14502	10 - 1		

YAMABIKO CORPORATION

7-2 SUEHIROCHO 1-CHOME, OHME, TOKYO 198-8760, JAPAN
PHONE: 81-428-32-6118. FAX: 81-428-32-6145.

shindaiwa[®]



EC1
No.