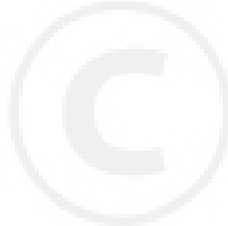


shindaiwa[®]

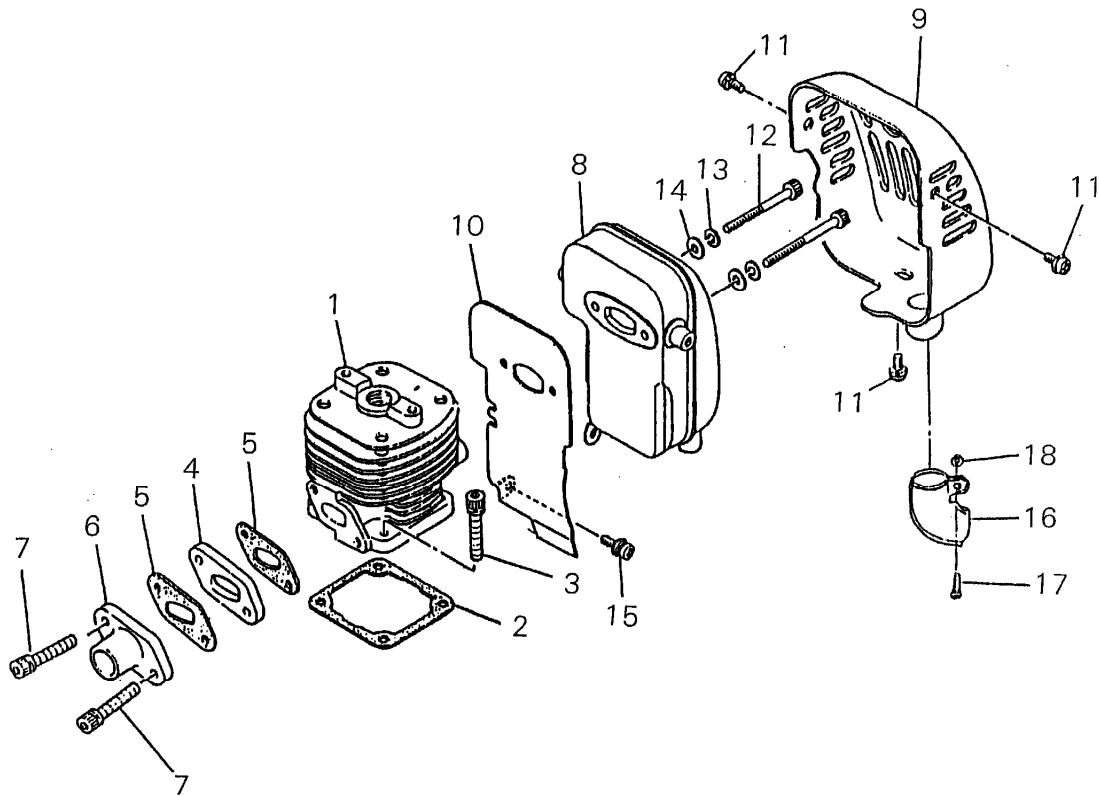
PARTS CATALOG

**BRUSHCUTTER
BP25 BP30LT**



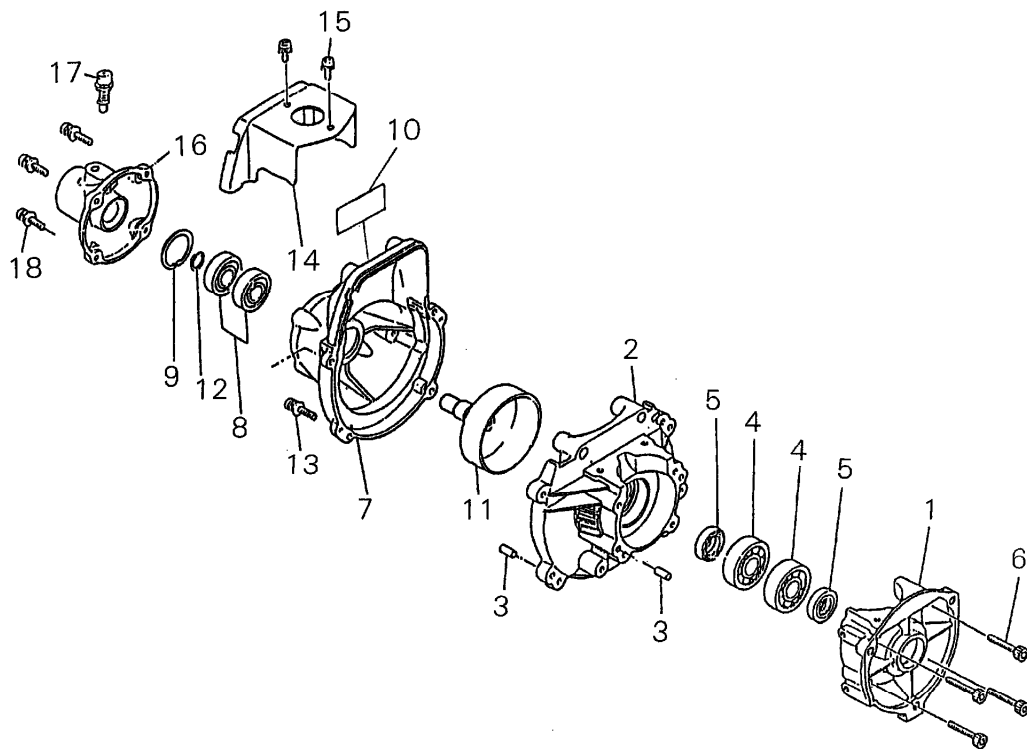
BP25 BP30L-T

1. CYLINDER, MUFFLER



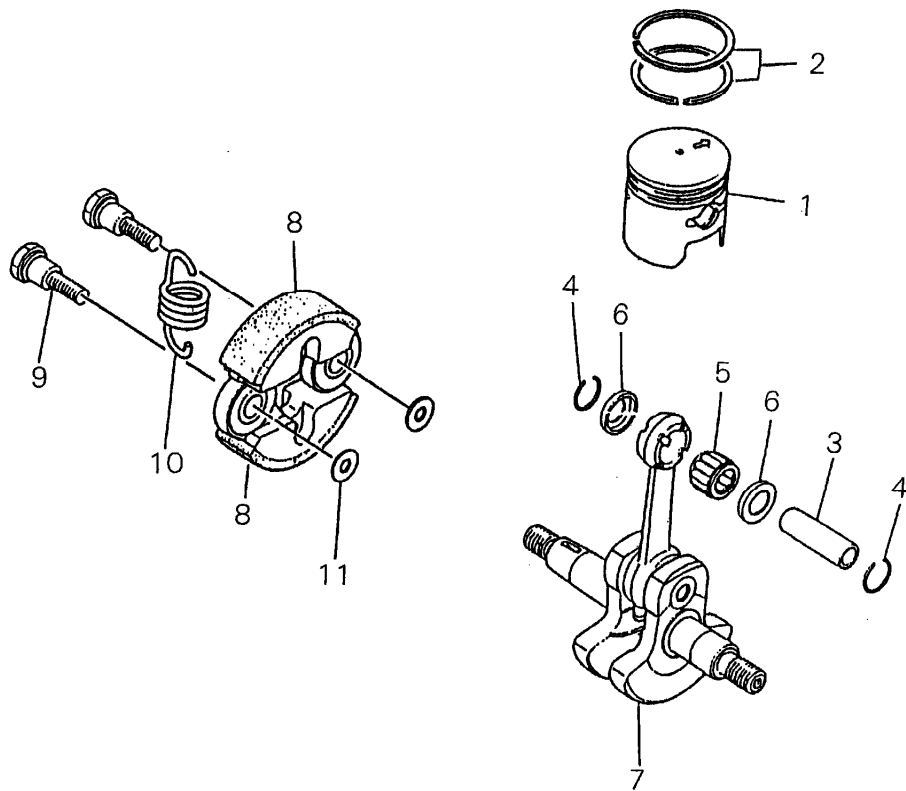
KEY	LV	PART NUMBER	Q'TY	DESCRIPTION	REMARKS	NOTE1	NOTE2
1		20003-12112	1	CYLINDER			
2		20000-12121	1	GASKET CYLINDER			
3		11020-05180	4	BOLT SW		M5x18	
4		20003-12210	1	INSULATOR			
5		20003-12220	2	GASKET INSULATOR			
6		20003-12231	1	INLET PIPE			
7		11020-05220	2	BOLT-SW		M5x22	
19		20055-15000	1	MUFFLER ASSY			
8		20055-15111	1	MUFFLER			
9		20055-15120	1	MUFFLER GUARD			
10		20000-15131	1	GASKET MUFFLER			
11		11206-04080	3	SCREW PM SPW		M4x8	
12		01020-05500	2	BOLT		M5x50	
13		01600-05131	2	SPRING WASHER		5mm	
14		01610-05080	2	WASHER		5mm	
15		11206-05120	1	SCREW PM SPW		M5x12	
16		20050-15410	1	TAIL PIPE			
17		11203-04100	1	SCREW PM		M4x10	
18		01500-04031	1	NUT		M4	

2. CRANKCASE, FANCOVER



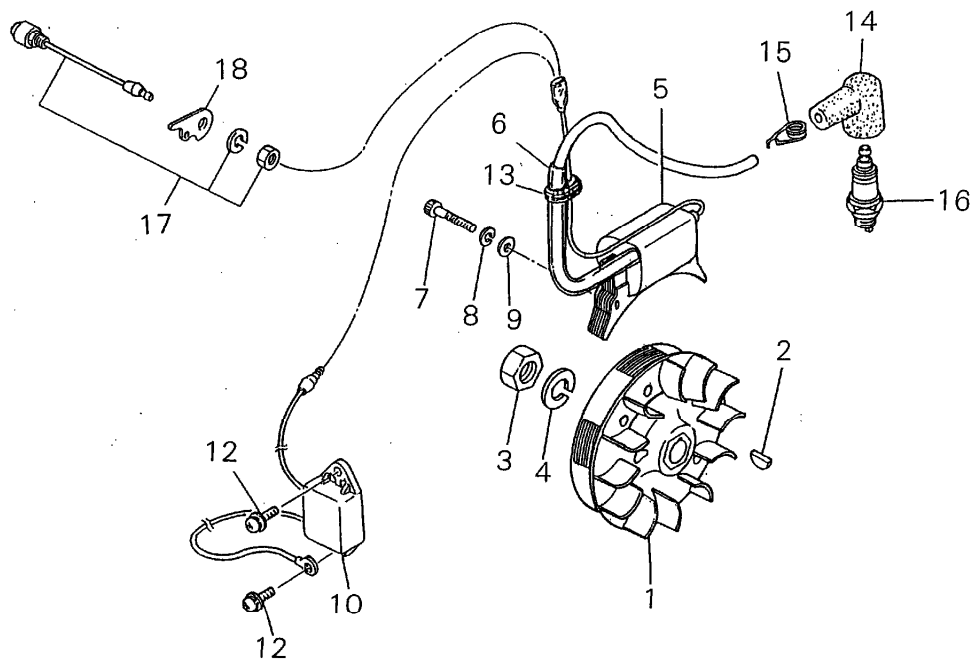
KEY	LV	PART NUMBER	Q'TY	DESCRIPTION	REMARKS	NOTE1	NOTE2
1		70095-21110	1	CRANK CASE S			
2		70095-21120	1	CRANK CASE M			
3		12492-50100	4	ROLLER		φ5xL10	
4		12900-62010	2	BEARING		6201,C3	
5		20000-21211	2	OIL SEAL			
6		01020-05250	4	BOLT		M5x25	
7		70095-31110	1	FAN COVER			
8		02006-06001	2	BEARING	6001DDU	6001DDU	
9		02432-28120	1	SNAP RING		28mm C	
10		70061-31151	1	NAME PLATE			
11		20112-31210	1	CLUTCH DRUM			
12		20000-31140	1	SNAP RING			
13		11206-05200	4	SCREW PM SPW		M5x20	
14		20055-32210	1	CYLINDER COVER			
15		11206-05120	2	SCREW PM SPW		M5x12	
16		20055-35130	1	JOINT CASE			
17		20112-35200	1	PIN COMP			
18		11022-05200	4	BOLT SPW		M5x20	

3. PISTON, CRANKSHAFT, CLUTCH SHOE



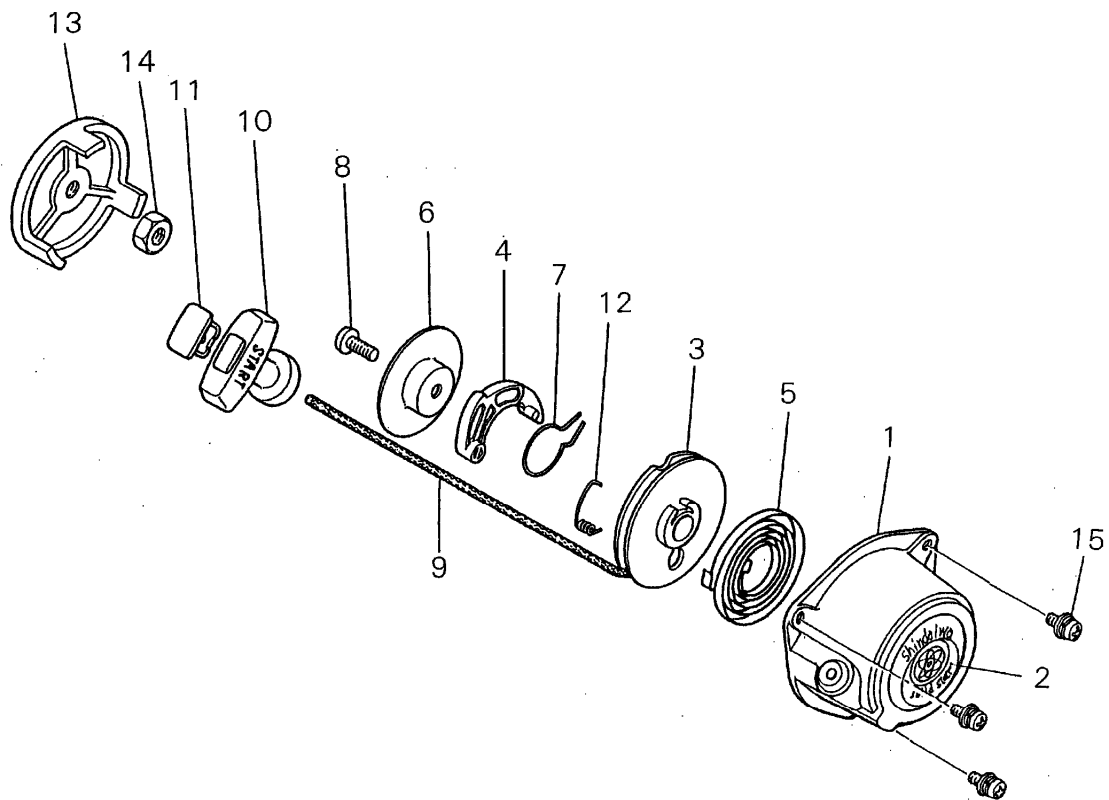
KEY	LV	PART NUMBER	Q'TY	DESCRIPTION	REMARKS	NOTE1	NOTE2
1		20000-41111	1	PISTON			
2		20000-41210	2	PISTON RING			
3		20000-41310	1	PISTON PIN			
4		20000-41320	2	SNAP RING			
5		37019-41230	1	NEEDLE BEARING			
6		37019-41240	2	THRUST WASHER			
7		20000-42002	1	CRANK SHAFT ASSY			
12		20035-51101	1	CLUTCH SHOE ASSY			
8	•	20035-51111	2	CLUTCH SHOE			
9	•	20000-51212	2	BOLT			
10	•	20035-51221	1	CLUTCH SPRING			
11	•	22100-71430	2	WASHER			

4. MAGNETO



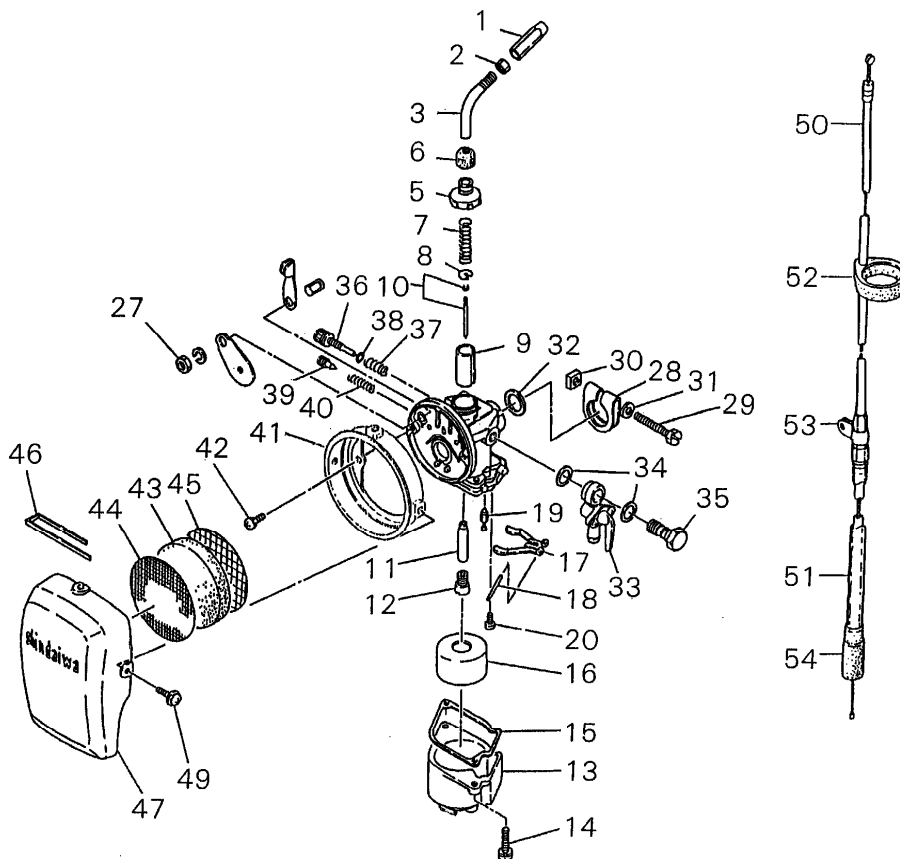
KEY	LV	PART NUMBER	Q'TY	DESCRIPTION	REMARKS	NOTE1	NOTE2
1		20000-71201	1	ROTOR			
2		02403-03100	1	KEY	3*10	3x10	
3		22100-43231	1	NUT			
4		01600-08201	1	SPRING WASHER		8mm	
5		70000-71612	1	COIL			
6		20000-71630	2	TUBE			
7		01020-04240	2	BOLT		M4x24	
8		01600-04101	2	SPRING WASHER		4mm	
9		01610-04050	2	WASHER		4mm	
10		72920-71711	1	UNIT			
12		11238-04120	2	SCREW PM SPW		M4x12	
13		20000-72111	1	GROMMET			
14		22102-72220	1	PLUG CAP			
15		20000-72230	1	SPRING SPARK PLUG			
16		CJ-8	1	SPARK PLUG CJ-8			
17		22011-11411	1	SWITCH			
18		20000-72520	1	BRACKET			
16		70005-75100	1	RECOIL STARETR			

5. RECOIL STARTER



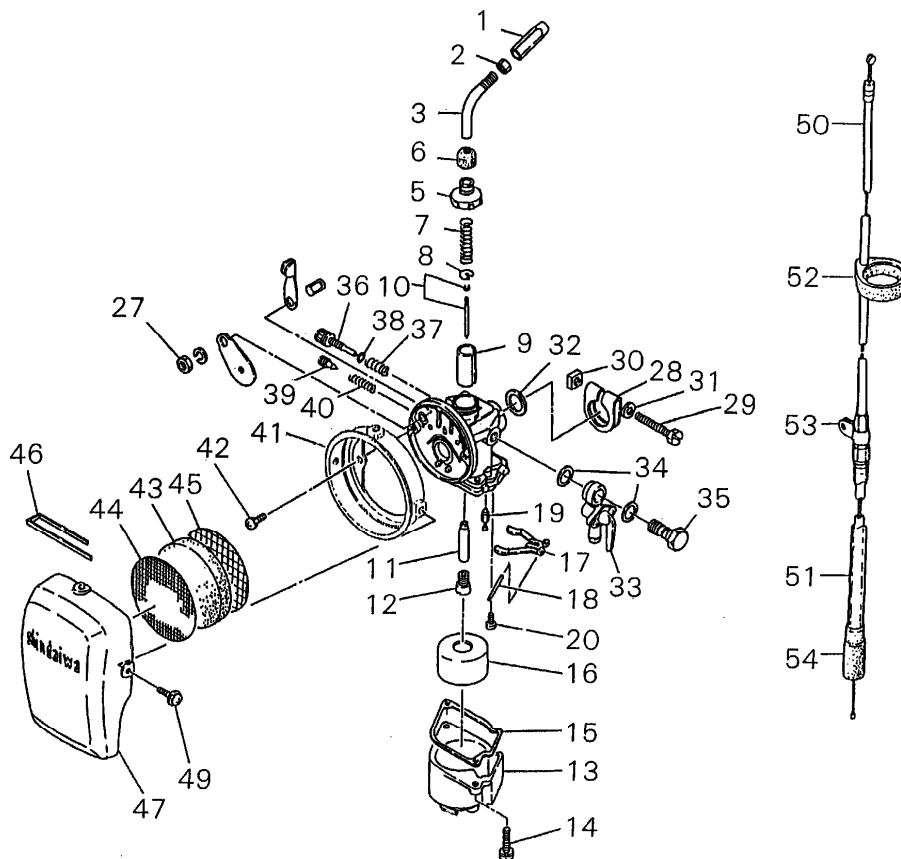
KEY	LV	PART NUMBER	Q'TY	DESCRIPTION	REMARKS	NOTE1	NOTE2
1	•	70005-75110	1	STARTER CASE			
2	•	70005-75241	1	NAME PLATE			
3	•	20000-75120	1	REEL			
4	•	20000-75130	1	RATCHET			
5	•	20000-75140	1	RECOIL SPRING			
6	•	20000-75150	1	PLATE FRICTION			
7	•	20000-75160	1	SPRING FRICTION			
8	•	20000-75170	1	SCREW			
9	•	20000-75180	1	ROPE			
10	•	20000-75190	1	KNOB STARTER			
11	•	20000-75210	1	CAP KNOB			
12	•	20000-75220	1	RETURN SPRING			
13		70000-75230	1	STARTER PULLEY			
14		20000-76210	1	NUT		M8*H5	
15		11022-05160	3	BOLT SPW		M5x16	
55		20055-81024	1	CARBURETOR BODY			

6. CARBURETOR, AIR CLEANER



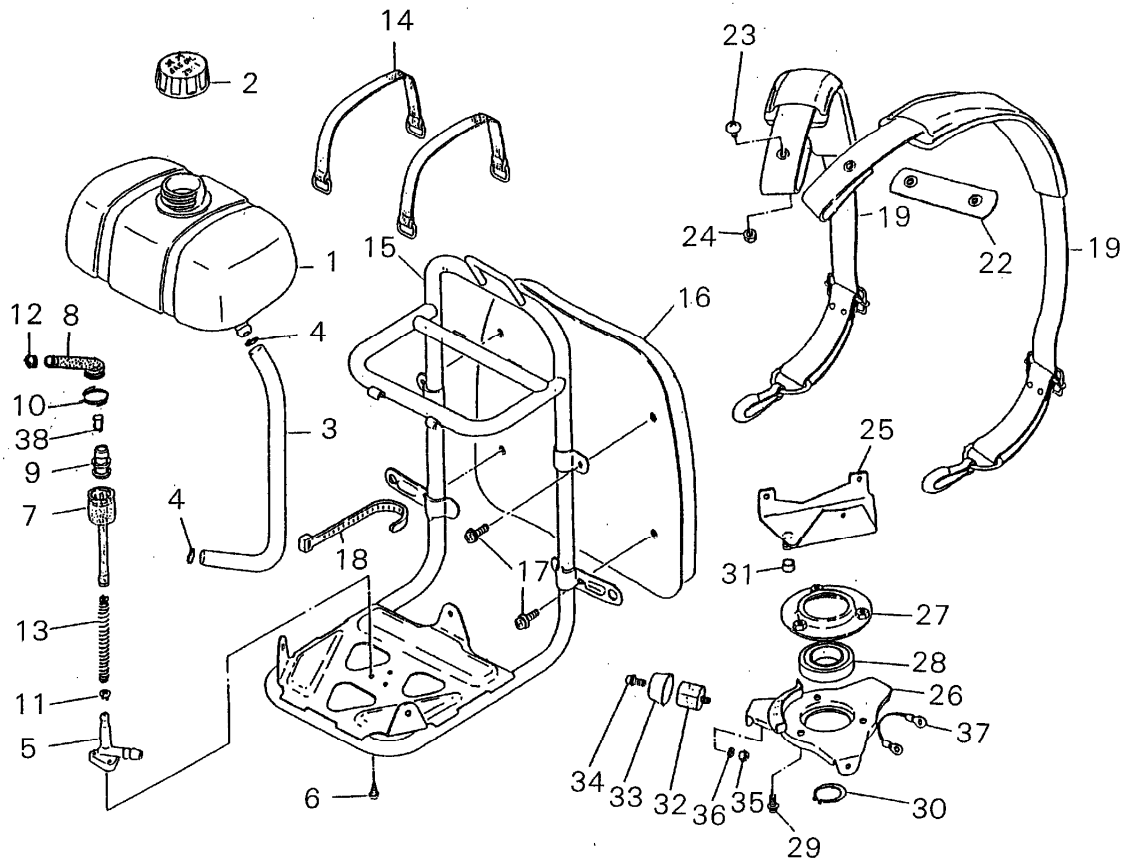
KEY	LV	PART NUMBER	Q'TY	DESCRIPTION	REMARKS	NOTE1	NOTE2
1	•	20055-81810	1	CABLE ADJUSTER			
2	•	20000-81260	1	LOCK NUT			
3	•	20055-81830	1	ADJUST PIPE			
5	•	20055-81120	1	BODY CAP			
6	•	20055-81130	1	CAP			
7	•	20000-81140	1	SPRING THROTTLE			
8	•	20000-81150	1	SPRING RECEIVE			
9	•	20055-81182	1	THROTTLE VALVE			
56	•	20055-81202	1	JET NEEDLE KIT			
10	•	20055-81212	1	JET NEEDLE			
11	•	20055-81232	1	NEEDLE JET			
12	•	20055-81242	1	MAIN JET			
13	•	20045-81310	1	FLOAT CHAMBER			
14	•	20014-81320	2	SCREW			
15	•	20014-81330	1	PACKING			
16	•	20014-81340	1	FLOAT			
17	•	20014-81350	1	FLOAT HINGE			
18	•	20014-81360	1	HINGE PIN			
19	•	20014-81381	1	NEEDLE VALVE			
20	•	20014-81390	1	SCREW			
27	•	20000-81260	1	LOCK NUT			
28	•	20014-81510	1	BAND			
29	•	20014-81521	1	BAND BOLT			
30	•	20014-81530	1	NUT			
31	•	20014-81540	1	WASHER			
32	•	20010-81570	1	FLANGE PACKING			

6. CARBURETOR, AIR CLEANER



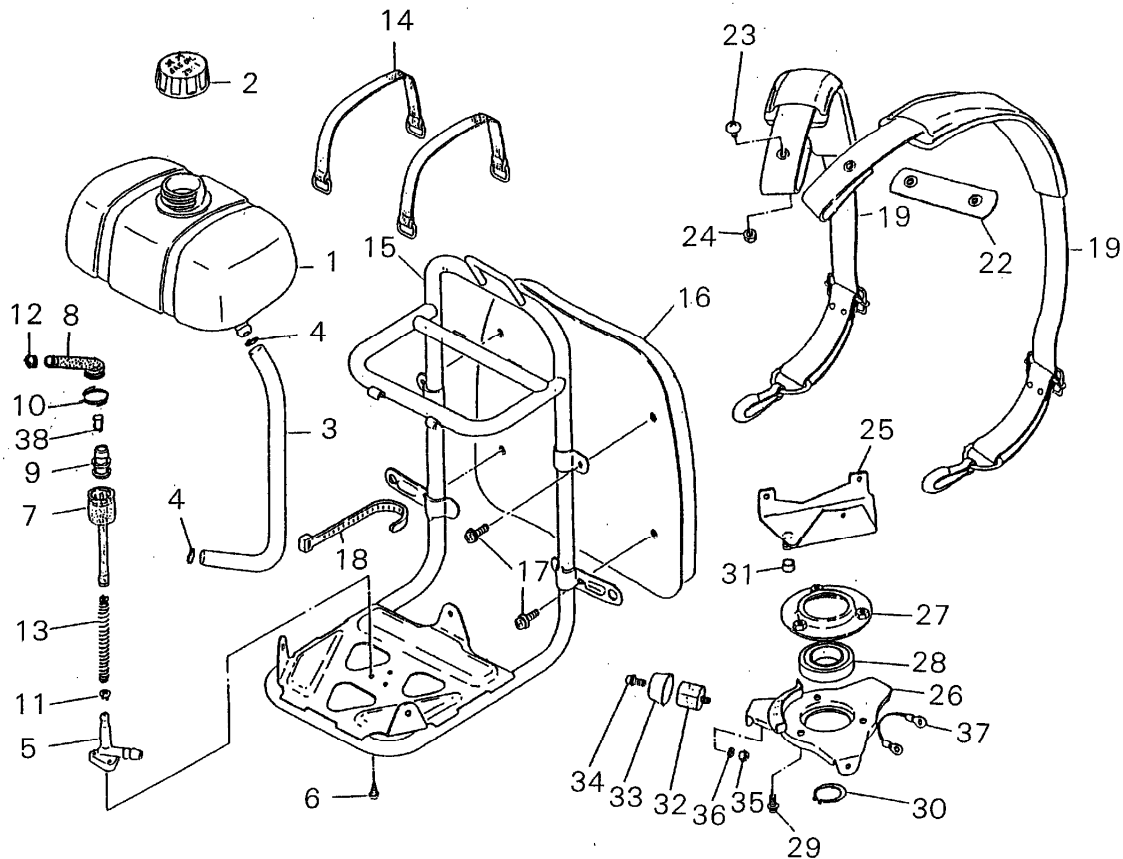
KEY	LV	PART NUMBER	Q'TY	DESCRIPTION	REMARKS	NOTE1	NOTE2
33	•	20055-81610	1	FUEL COCK			
34	•	20055-81620	2	GASKET			
35	•	20055-81630	1	BANJO BOLT			
36	•	20014-81810	1	SLOW STOP SCREW			
37	•	20010-81820	1	SPRING			
38	•	20014-81830	1	O RING			
39	•	20000-81330	1	SLOW AIR SCREW			
40	•	20000-81340	1	SPRING			
57		20010-81701	1	AIR CLEANER SUB ASSY			
41	•	20010-81711	1	CLEANER BODY			
42	•	20000-81730	2	SCREW			
43	•	20000-81740	1	FILTER			
44	•	20000-81750	1	NET A			
45	•	20010-81760	1	NET B			
46	•	20010-81781	1	SPRING NET			
47	•	20010-81771	1	CLEANER COVER			
48	•	19404-00008	1	LABEL CHOKE			
49	•	20000-81735	3	SCREW			
50		20051-83910	1	THROTTLE CABLE			
51		20051-83120	1	PIPE			
52		22050-11210	1	CABLE HOLDER			
53		20050-83170	1	CABLE CLAMP			
54		20005-83160	1	CABLE CAP			

7. FUEL TANK



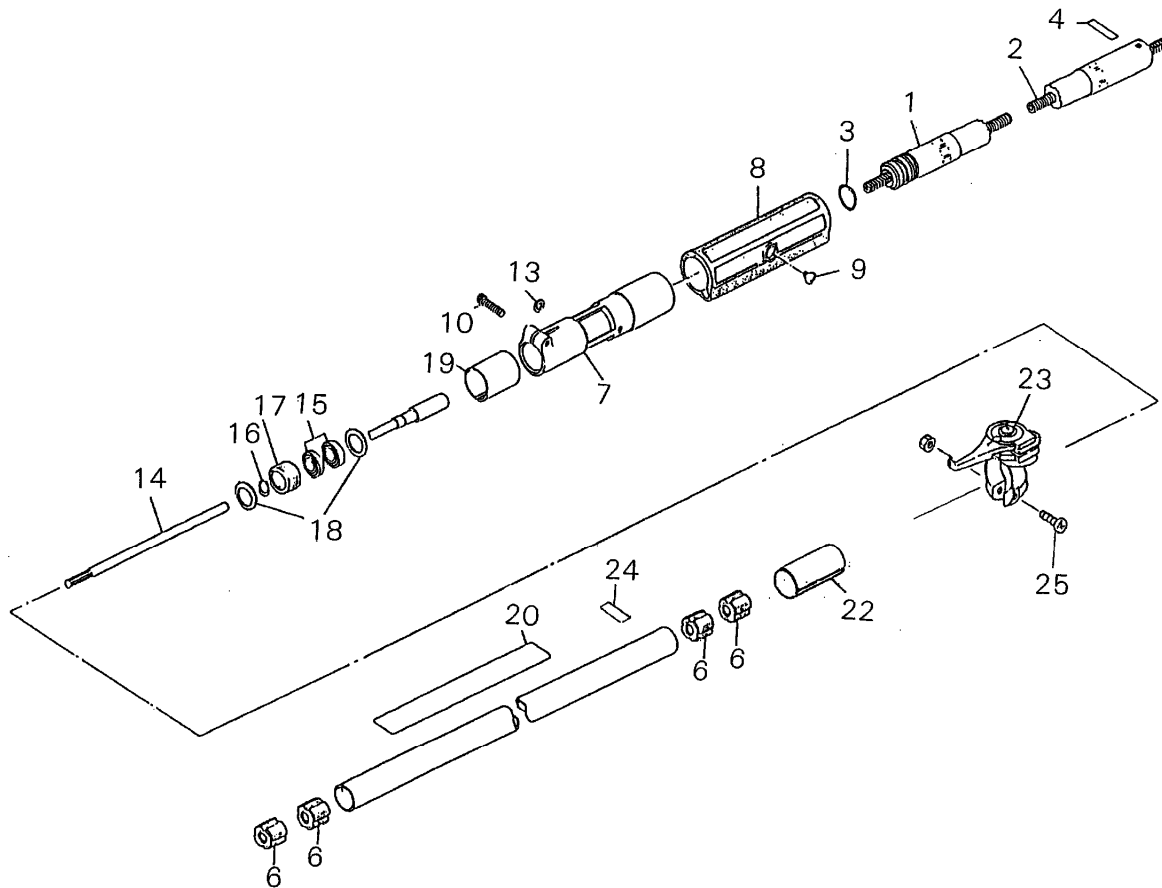
KEY	LV	PART NUMBER	Q'TY	DESCRIPTION	REMARKS	NOTE1	NOTE2
39		70055-85001	1	FUEL TANK ASSY			
1	•	20050-85110	1	FUEL TANK			
2	•	20010-85201	1	FUEL CAP ASSY			
3	•	20051-85410	1	FUEL PIPE			
4	•	20051-85420	2	CLIP			
5	•	20050-85461	1	ELBOW			
6	•	11202-40100	3	SCREW HILO 4X10		4x10	
40	•	20051-85503	1	FILTER ASSY			
7	•	20051-85510	1	FUEL PIPE			
8	•	20051-85521	1	FUEL PIPE A			
41	•	22999-00001	1	FILTER SET			
38	•	20051-85540	1	FILTER A			
9	•	20051-85531	1	FILTER			
10	•	20050-85580	1	CLIP			
11	•	20050-85560	1	CLIP			
12	•	20051-85570	1	CLIP A			
13	•	20051-85590	1	SPRING			
14		20010-86140	2	BAND			
15		70062-86112	1	FRAME			
16		70062-86120	1	PAD			
17		11206-05120	4	SCREW PM SPW		M5x12	
18		20000-83150	1	CLAMP			
19		70062-86200	1	BAND ASSY			
22		70062-86320	1	JOINT BAND			
23		01215-06140	2	SCREW TRUSS		M6x14	
24		22011-97840	2	LOCK NUT			

7. FUEL TANK



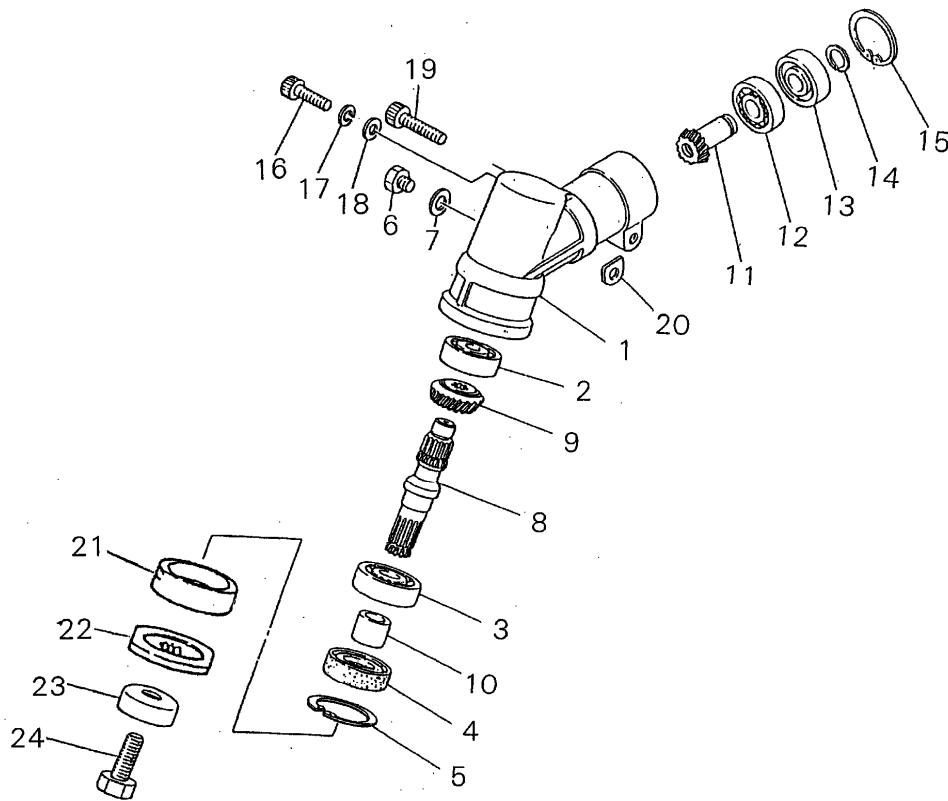
KEY	LV	PART NUMBER	Q'TY	DESCRIPTION	REMARKS	NOTE1	NOTE2
42		20055-87002	1	BRACKET ASSY			
25	•	20055-87111	1	BRACKET A			
26	•	20050-87120	1	BRACKET B			
27	•	20050-87131	1	RETAINER			
28	•	02002-06005	1	BEARING		6005ZZ	
29	•	11206-05100	3	SCREW PM SPW		M5x10	
30	•	02430-25120	1	SNAP RING		25mm C	
31	•	20050-87150	1	STOP CUSHION			
32	•	20050-87160	3	CUSHION			
33	•	20050-87170	3	MOUNT HOLDER			
34	•	11206-05100	3	SCREW PM SPW		M5x10	
35	•	01500-05041	1	NUT	M5	M5	
36	•	01600-05131	1	SPRING WASHER		5mm	
43	•	11526-05112	2	FLANGE NUT		M5	
37	•	20051-87210	1	EARTH CORD			

8. OUTER PIPE, THROTTLE LEVER



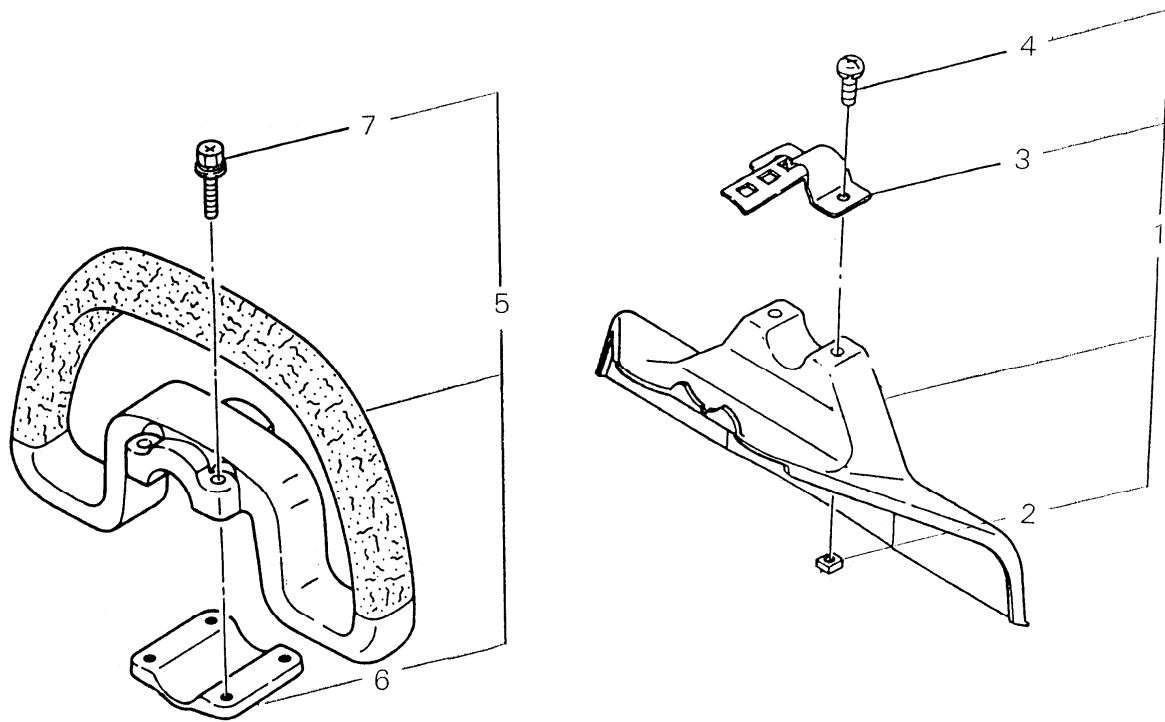
KEY	LV	PART NUMBER	Q'TY	DESCRIPTION	REMARKS	NOTE1	NOTE2
26		72062-11105	1	FLEXIBLE SET			
1	•	72062-11113	1	FLEXIBLE PIPE			
2	•	72062-11122	1	FLEXIBLE SHAFT			
3	•	22051-11140	1	O RING			
27		22055-12100	1	OUTER PIPE SUB ASSY			
6	•	22035-12121	4	BUSH			
7		22051-12311	1	JOINT PIPE			
8		22051-12320	1	GRIP			
9		22051-12340	1	SCREW			
10		11022-06280	1	BOLT SPW		M6x28	
13		22055-12350	1	WASHER			
14		22055-12410	1	MAIN SHAFT			
15		02002-06900	2	BEARING		6900ZZ	
16		02430-10100	1	SNAP RING		10mm C	
17		22050-12421	1	CUSHION			
18		22050-12430	2	THRUST PLATE			
19		22055-12440	1	COLLAR			
23		72062-14570	1	THROTTLE LEVER			
24		72017-12150	1	HANDLE LABEL			
25		11203-05120	1	SCREW PM		M5x12	
28		19422-00031	1	NAME PLATE		shindaiwa	
29		19402-00024	1	LABEL CAUTION			

9. GEAR CASE



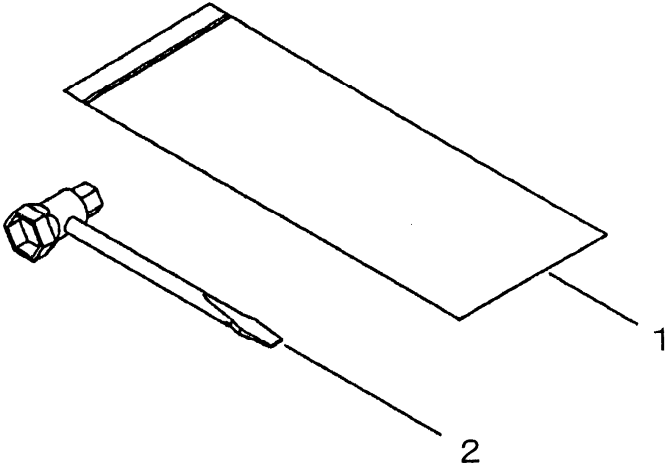
KEY	LV	PART NUMBER	Q'TY	DESCRIPTION	REMARKS	NOTE1	NOTE2
25		22035-13005	1	GEAR CASE ASSY			
26	•	22410-13011	1	GEAR CASE SUB ASSY			
1	• •	22035-13113	1	GEAR CASE			
2	• •	02006-00626	1	BEARING		626DDU	
3	• •	02000-06000	1	BEARING		6000	
4	• •	22035-13140	1	OIL SEAL			
5	• •	02432-26120	1	SNAP RING		26mm C	
6	• •	01014-06100	1	BOLT		M6x10	
7	• •	22000-13410	1	GASKET			
8	• •	22410-13210	1	GEAR SHAFT			
9	• •	22035-13220	1	BEVEL GEAR			
10	• •	22035-13230	1	COLLAR			
11	• •	22035-13391	1	PINION SET			
12	• •	02000-00608	1	BEARING		608	
13	• •	02002-00608	1	BEARING	608ZZ	608ZZ	
14	• •	22035-13340	1	SNAP RING			
15	• •	02432-22100	1	SNAP RING		22mm C	
16	• •	11022-05160	1	BOLT SPW		M5x16	
19	• •	11023-05250	1	BOLT SW		M5x25	
20	• •	22000-13420	1	SHIM			
21	•	22035-13242	1	HOLDER A			
22	•	22410-13251	1	HOLDER B			
23	•	22035-13290	1	BOLT GUARD			
24	•	22035-13271	1	BOLT		M7*18	

10. HANDLE, GUARD

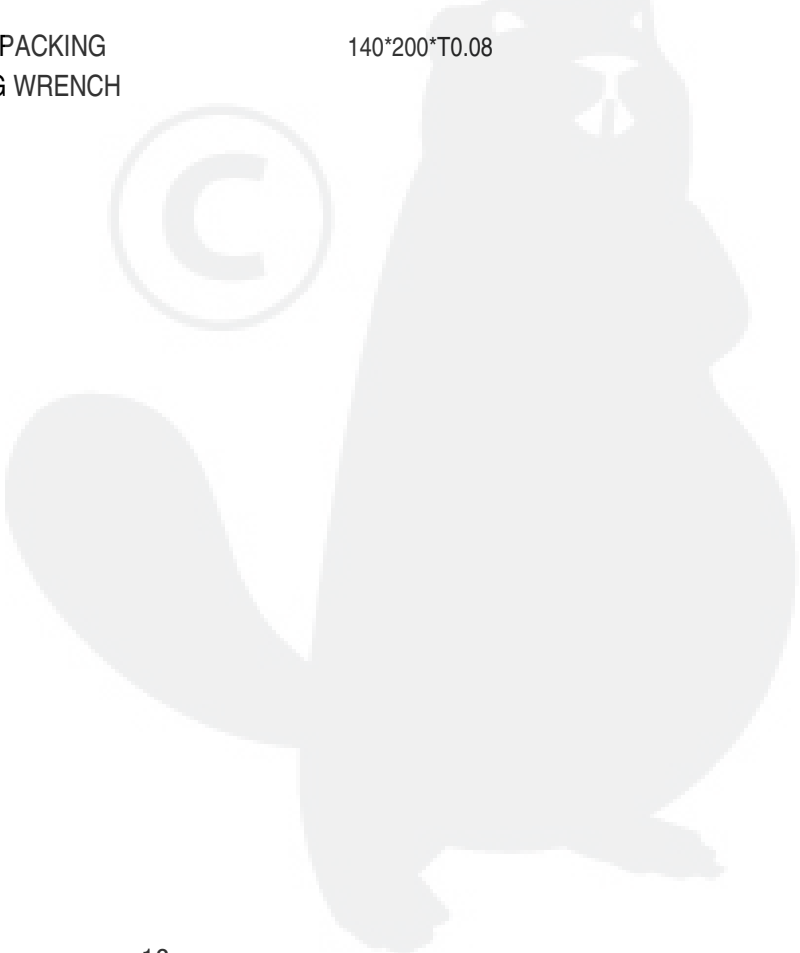
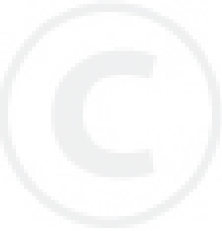


KEY	LV	PART NUMBER	Q'TY	DESCRIPTION	REMARKS	NOTE1	NOTE2
1		72036-16101	1	GUARD ASSY			
2	+	22035-16120	2	NUT	M5	13x19mm	
3	+	22035-16131	1	GUARD CLAMP		4mm M5	
4	+	11024-05160	2	BOLT PM SPW			
5		72051-14101	1	HANDLE SUB ASSY			
6	+	22044-14120	1	CLAMP A			
7	+	22036-14150	4	BOLT SPW			

11. TOOLS



KEY	LV	PART NUMBER	Q'TY	DESCRIPTION	REMARKS	NOTE1	NOTE2
1		19639-01400	1	BAG,PACKING	140*200*T0.08		
2		22000-91181	1	PLUG WRENCH			



Index

Patrs Number	Key No.	Patrs Number	Key No.	Patrs Number	Key No.
01014-06100	9 - 6	19404-00008	6 - 48	20010-81771	6 - 47
01020-04240	4 - 7	19422-00031	8 - 28	20010-81781	6 - 46
01020-05250	2 - 6	19639-01400	11 - 1	20010-81820	6 - 37
01020-05500	1 - 12	20000-12121	1 - 2	20010-85201	7 - 2
01215-06140	7 - 23	20000-15131	1 - 10	20010-86140	7 - 14
01500-04031	1 - 18	20000-21211	2 - 5	20014-81320	6 - 14
01500-05041	7 - 35	20000-31140	2 - 12	20014-81330	6 - 15
01600-04101	4 - 8	20000-41111	3 - 1	20014-81340	6 - 16
01600-05131	1 - 13	20000-41210	3 - 2	20014-81350	6 - 17
01600-05131	7 - 36	20000-41310	3 - 3	20014-81360	6 - 18
01600-08201	4 - 4	20000-41320	3 - 4	20014-81381	6 - 19
01610-04050	4 - 9	20000-42002	3 - 7	20014-81390	6 - 20
01610-05080	1 - 14	20000-51212	3 - 9	20014-81510	6 - 28
02000-00608	9 - 12	20000-71201	4 - 1	20014-81521	6 - 29
02000-06000	9 - 3	20000-71630	4 - 6	20014-81530	6 - 30
02002-00608	9 - 13	20000-72111	4 - 13	20014-81540	6 - 31
02002-06005	7 - 28	20000-72230	4 - 15	20014-81810	6 - 36
02002-06900	8 - 15	20000-72520	4 - 18	20014-81830	6 - 38
02006-00626	9 - 2	20000-75120	5 - 3	20035-51101	3 - 12
02006-06001	2 - 8	20000-75130	5 - 4	20035-51111	3 - 8
02403-03100	4 - 2	20000-75140	5 - 5	20035-51221	3 - 10
02430-10100	8 - 16	20000-75150	5 - 6	20045-81310	6 - 13
02430-25120	7 - 30	20000-75160	5 - 7	20050-15410	1 - 16
02432-22100	9 - 15	20000-75170	5 - 8	20050-83170	6 - 53
02432-26120	9 - 5	20000-75180	5 - 9	20050-85110	7 - 1
02432-28120	2 - 9	20000-75190	5 - 10	20050-85461	7 - 5
11020-05180	1 - 3	20000-75210	5 - 11	20050-85560	7 - 11
11020-05220	1 - 7	20000-75220	5 - 12	20050-85580	7 - 10
11022-05160	5 - 15	20000-76210	5 - 14	20050-87120	7 - 26
11022-05160	9 - 16	20000-81140	6 - 7	20050-87131	7 - 27
11022-05200	2 - 18	20000-81150	6 - 8	20050-87150	7 - 31
11022-06280	8 - 10	20000-81260	6 - 2	20050-87160	7 - 32
11023-05250	9 - 19	20000-81260	6 - 27	20050-87170	7 - 33
11024-05160	10 - 4	20000-81330	6 - 39	20051-83120	6 - 51
11202-40100	7 - 6	20000-81340	6 - 40	20051-83910	6 - 50
11203-04100	1 - 17	20000-81730	6 - 42	20051-85410	7 - 3
11203-05120	8 - 25	20000-81735	6 - 49	20051-85420	7 - 4
11206-04080	1 - 11	20000-81740	6 - 43	20051-85503	7 - 40
11206-05100	7 - 29	20000-81750	6 - 44	20051-85510	7 - 7
11206-05100	7 - 34	20000-83150	7 - 18	20051-85521	7 - 8
11206-05120	1 - 15	20003-12112	1 - 1	20051-85531	7 - 9
11206-05120	2 - 15	20003-12210	1 - 4	20051-85540	7 - 38
11206-05120	7 - 17	20003-12220	1 - 5	20051-85570	7 - 12
11206-05200	2 - 13	20003-12231	1 - 6	20051-85590	7 - 13
11238-04120	4 - 12	20005-83160	6 - 54	20051-87210	7 - 37
11526-05112	7 - 43	20010-81570	6 - 32	20055-15000	1 - 19
12492-50100	2 - 3	20010-81701	6 - 57	20055-15111	1 - 8
12900-62010	2 - 4	20010-81711	6 - 41	20055-15120	1 - 9
19402-00024	8 - 29	20010-81760	6 - 45	20055-32210	2 - 14

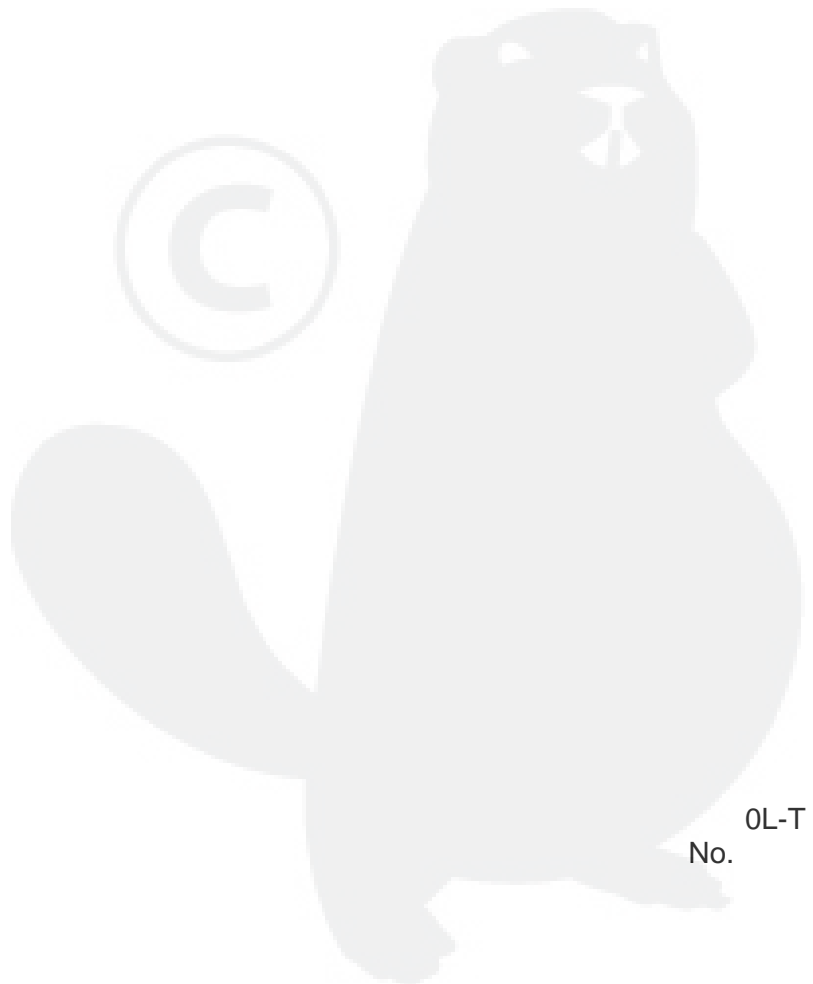
Index

Patrs Number	Key No.	Patrs Number	Key No.	Patrs Number	Key No.
20055-35130	2 - 16	22100-43231	4 - 3		
20055-81024	5 - 55	22100-71430	3 - 11		
20055-81120	6 - 5	22102-72220	4 - 14		
20055-81130	6 - 6	22410-13011	9 - 26		
20055-81182	6 - 9	22410-13210	9 - 8		
20055-81202	6 - 56	22410-13251	9 - 22		
20055-81212	6 - 10	22999-00001	7 - 41		
20055-81232	6 - 11	37019-41230	3 - 5		
20055-81242	6 - 12	37019-41240	3 - 6		
20055-81610	6 - 33	70000-71612	4 - 5		
20055-81620	6 - 34	70000-75230	5 - 13		
20055-81630	6 - 35	70005-75100	4 - 16		
20055-81810	6 - 1	70005-75110	5 - 1		
20055-81830	6 - 3	70005-75241	5 - 2		
20055-87002	7 - 42	70055-85001	7 - 39		
20055-87111	7 - 25	70061-31151	2 - 10		
20112-31210	2 - 11	70062-86112	7 - 15		
20112-35200	2 - 17	70062-86120	7 - 16		
22000-13410	9 - 7	70062-86200	7 - 19		
22000-13420	9 - 20	70062-86320	7 - 22		
22000-91181	11 - 2	70095-21110	2 - 1		
22011-11411	4 - 17	70095-21120	2 - 2		
22011-97840	7 - 24	70095-31110	2 - 7		
22035-12121	8 - 6	72017-12150	8 - 24		
22035-13005	9 - 25	72036-16101	10 - 1		
22035-13113	9 - 1	72051-14101	10 - 5		
22035-13140	9 - 4	72062-11105	8 - 26		
22035-13220	9 - 9	72062-11113	8 - 1		
22035-13230	9 - 10	72062-11122	8 - 2		
22035-13242	9 - 21	72062-14570	8 - 23		
22035-13271	9 - 24	72920-71711	4 - 10		
22035-13290	9 - 23	CJ-8	4 - 16		
22035-13340	9 - 14				
22035-13391	9 - 11				
22035-16120	10 - 2				
22035-16131	10 - 3				
22036-14150	10 - 7				
22044-14120	10 - 6				
22050-11210	6 - 52				
22050-12421	8 - 17				
22050-12430	8 - 18				
22051-11140	8 - 3				
22051-12311	8 - 7				
22051-12320	8 - 8				
22051-12340	8 - 9				
22055-12100	8 - 27				
22055-12350	8 - 13				
22055-12410	8 - 14				
22055-12440	8 - 19				

YAMABIKO CORPORATION

7-2 SUEHIROCHO 1-CHOME, OHME, TOKYO 198-8760, JAPAN
PHONE: 81-428-32-6118. FAX: 81-428-32-6145.

shindaiwa[®]



OL-T
No.