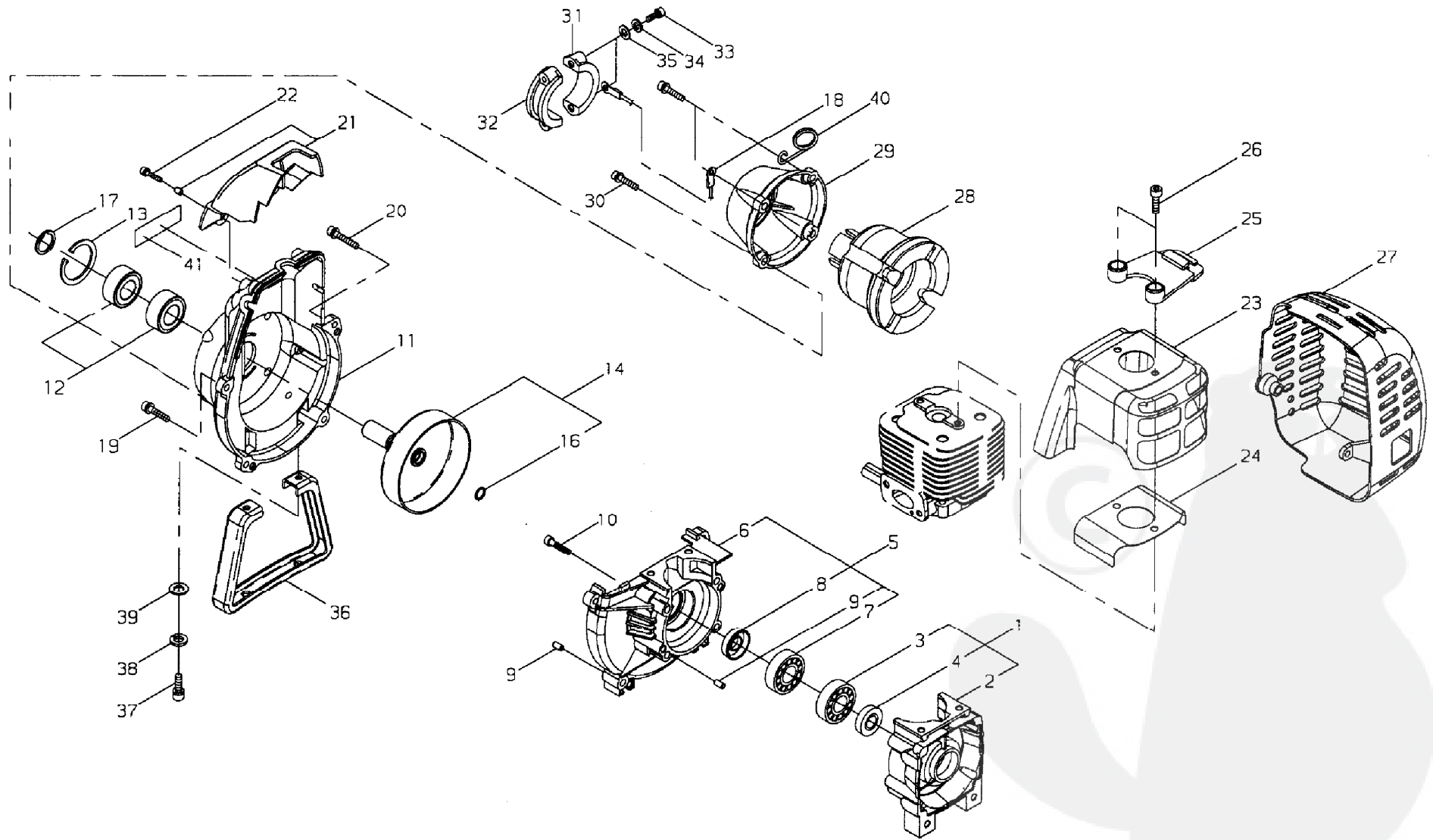
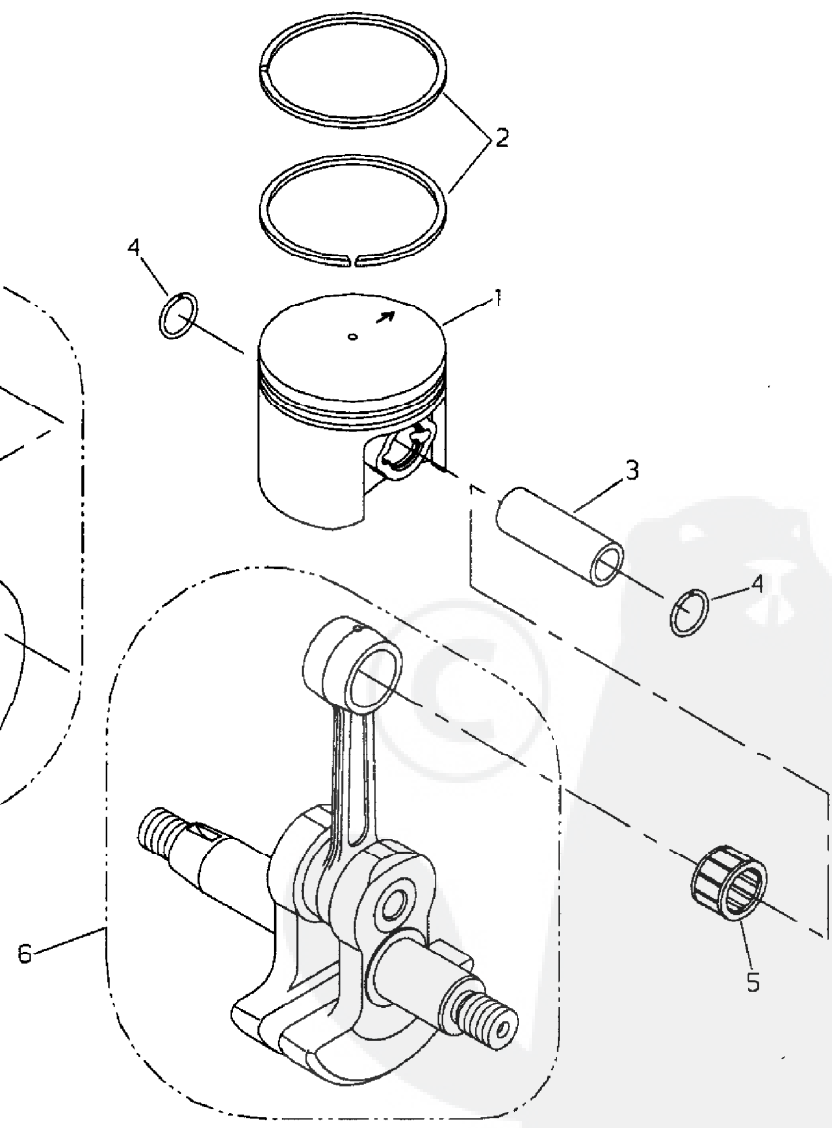
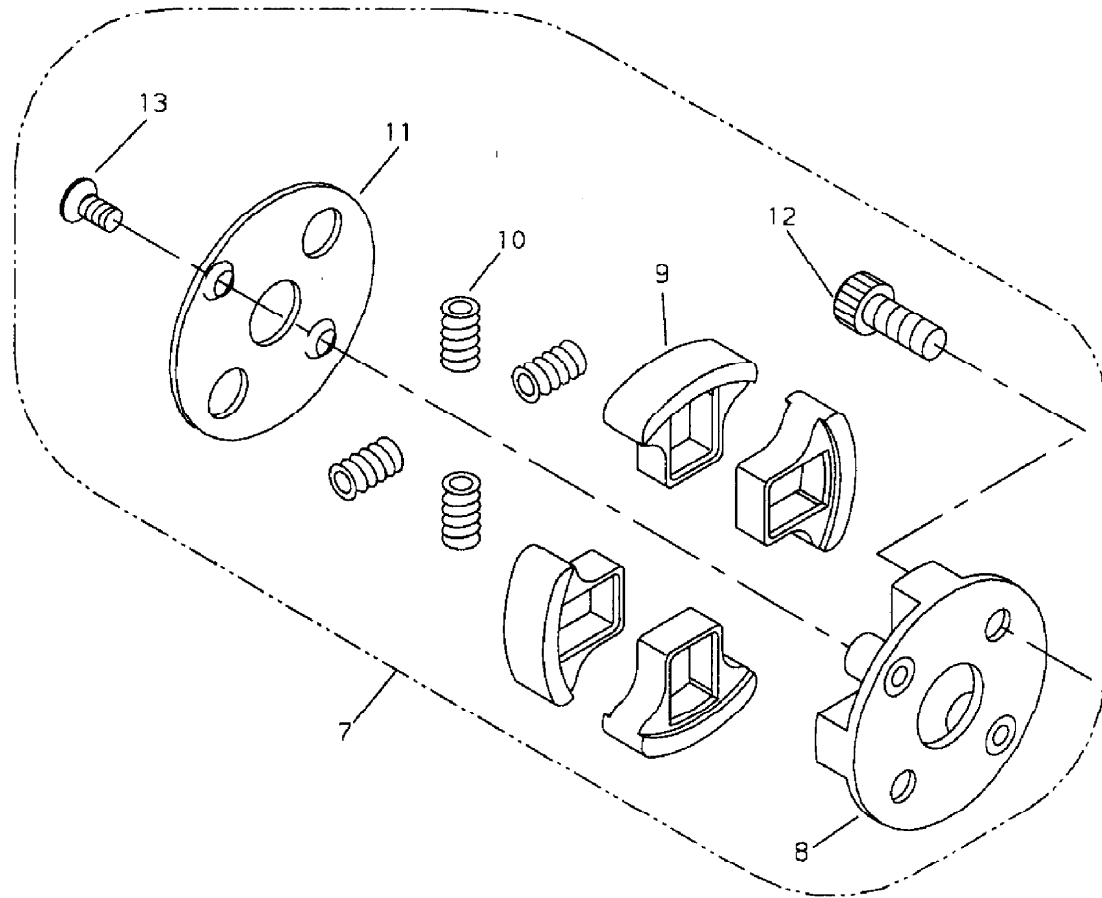


Ref. No	Part No.	Part Name	Q`ty	Remarks,Serial No.
1- 1	70210-12111	CYLINDER	1	
2	20010-12121	GASKETCYLINDER	1	
3	01020-05250	BOLT	4	
4	01600-05131	SPRINGWASHER	4	
5	20060-12210	INSULATOR	1	
6	20011-12221	GASKET	1	
7	11022-05250	BOLTSPW	2	
8	20024-12260	NUT	2	
9	62104-15110	MUFFLER	1	
10	62104-15210	GASKET	1	
11	01020-06250	BOLT	2	
12	11024-05120	BOLTSLPW	1	



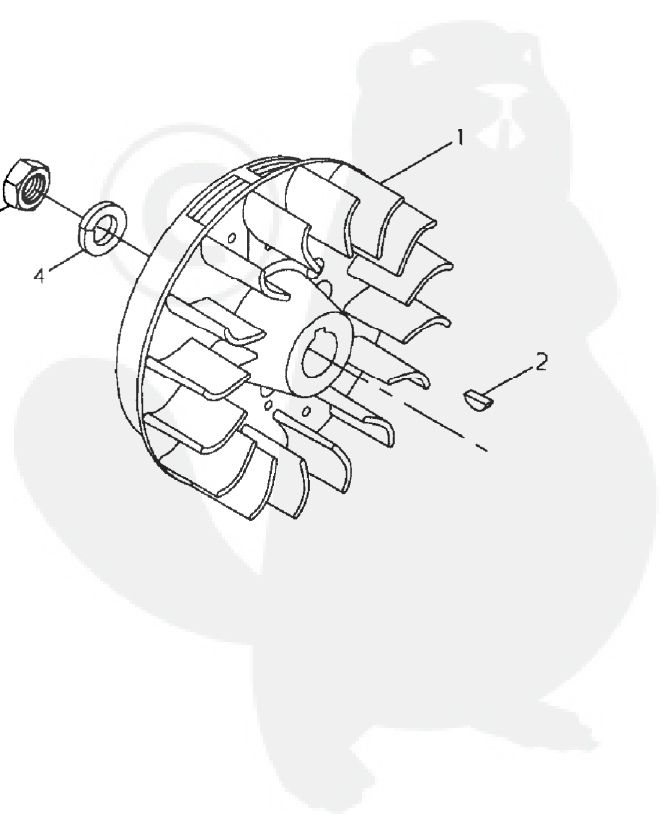
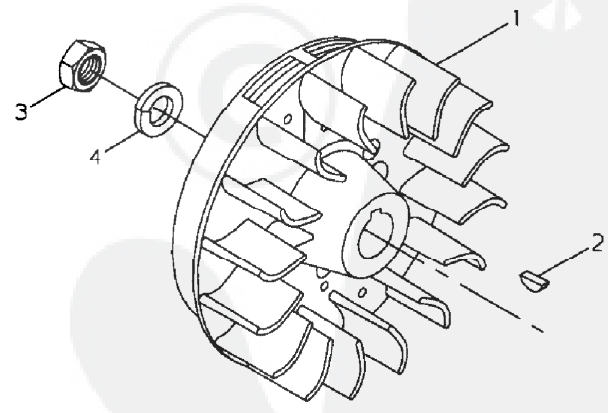
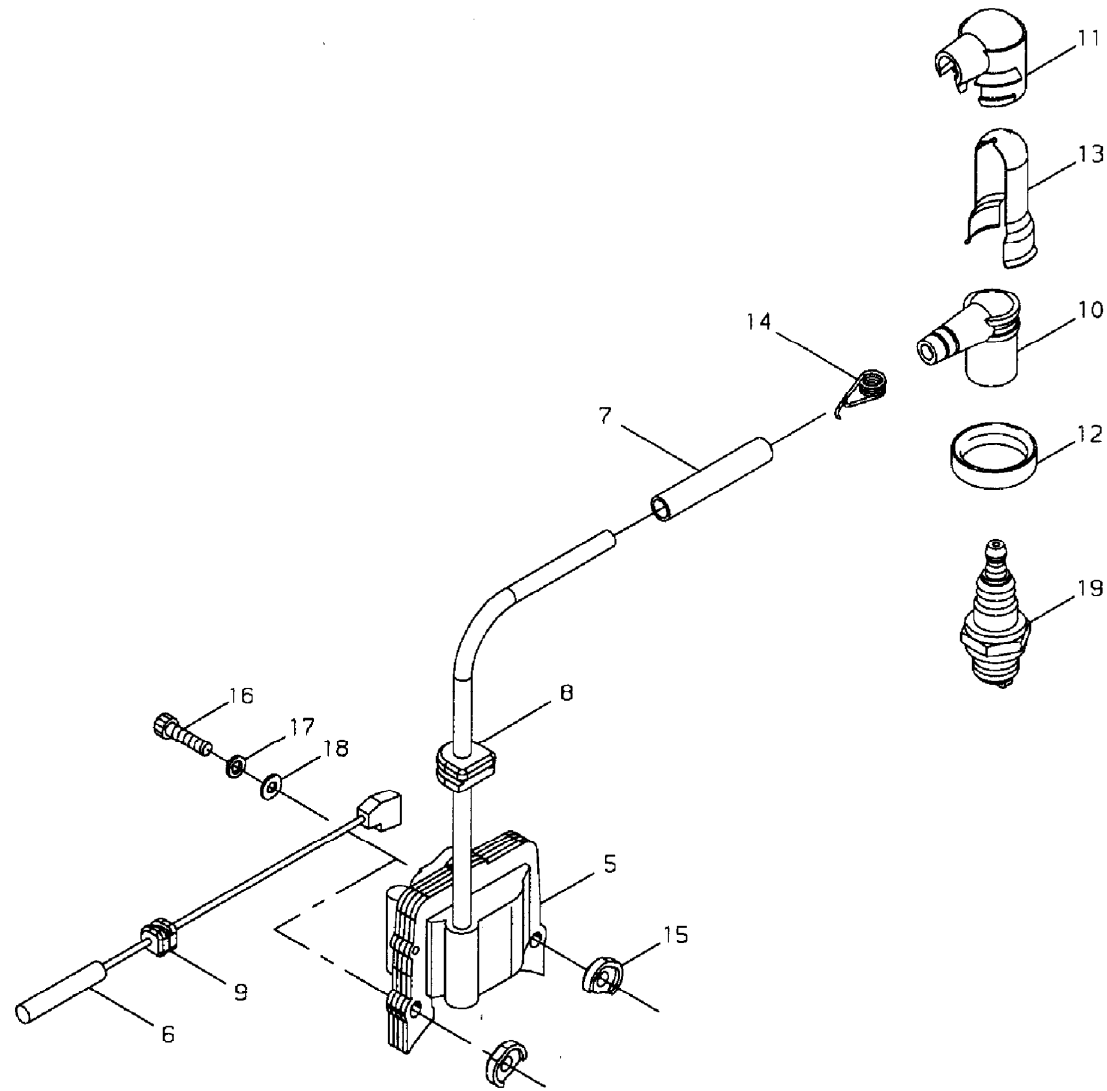


2- 1	72935-21101	CRANKCASESCOMP	1	
2	72935-21111	*CRANKCASES	1	
3	12900-62020	*BEARING	1	
4	20010-21211	*OILSEAL	1	
5	70062-21200	CRANKCASEMCOMP	1	
6	72921-21121	*CRANKCASEM	1	
7	12900-62020	*BEARING	1	
8	20010-21211	*OILSEAL	1	
9	12492-50100	*DOWELPIN	4	
10	01020-05300	BOLT	4	
11	70012-31111	FANCOVER	1	
12	02006-06002	BEARING	2	
13	02432-32120	SNAPRING	1	
14	20021-31200	CLUTCHDRUMSET	1	
16	20021-31220	*SNAPRING	1	
17	20011-31230	SNAPRING	1	
18	70192-31510	EARTHCORD	1	
19	11022-05200	BOLTSPW	3	
20	11022-05300	BOLTSPW	1	
21	70131-34100	PROTECTORCOMP	1	
22	11024-04160	BOLTSLPW	2	
23	70210-32111	CYLINDERCOVER	1	
24	70196-32141	GASKET	1	
26	62104-32310	STAY	1	
26	11022-05180	BOLTSPW	2	
27	62104-32320	MUFFLERCOVER	1	
28	20011-35110	JOINT	1	
29	70012-35130	CAPJOINT	1	
30	11022-05200	BOLTSPW	4	
31	20011-35141	CLAMPA	1	
32	20011-35151	CLAMPB	1	
33	01020-05250	BOLT	2	
34	01600-05131	SPRINGWASHER	2	
35	01610-05080	WASHER	2	
36	70200-33112	STAND	1	
37	70210-33120	BOLT	2	
38	01600-05131	SPRINGWASHER	2	
39	01613-05080	WASHER	2	
40	70229-83150	CABLEHOLDER	1	
41	70229-31150	LABELTRADE	1	



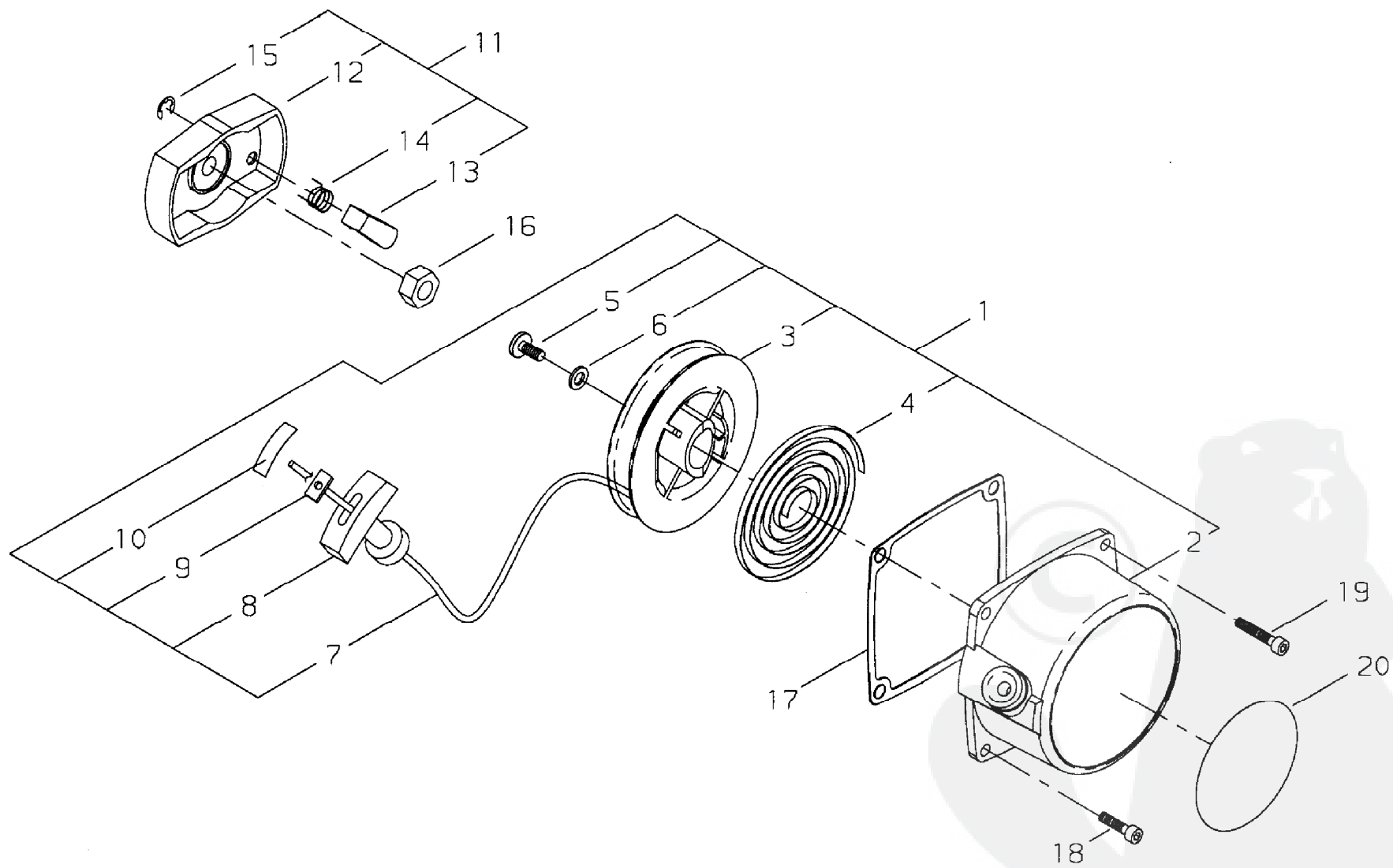
3- 1	70210-41110	PISTON	1	
2	22182-41210	PISTONRING	2	
3	22160-41220	PISTONPIN	1	
4	22100-41230	SNAPRING	2	
5	22160-41240	BEARINGSE	1	
6	70210-42001	CRANKSHAFTASSY	1	
7	70210-51100	CLUTCHSHOEASSY	1	
8	20020-51112	*CLUTCHBOSS	1	
9	20020-51121	*CLUTCHSHOE	4	
10	20020-51131	*SPRING	4	
11	20020-51140	*PLATE	1	
12	20020-51150	*CLUTCHBOLT	2	
13	70210-51160	*SCREWFLAT	2	





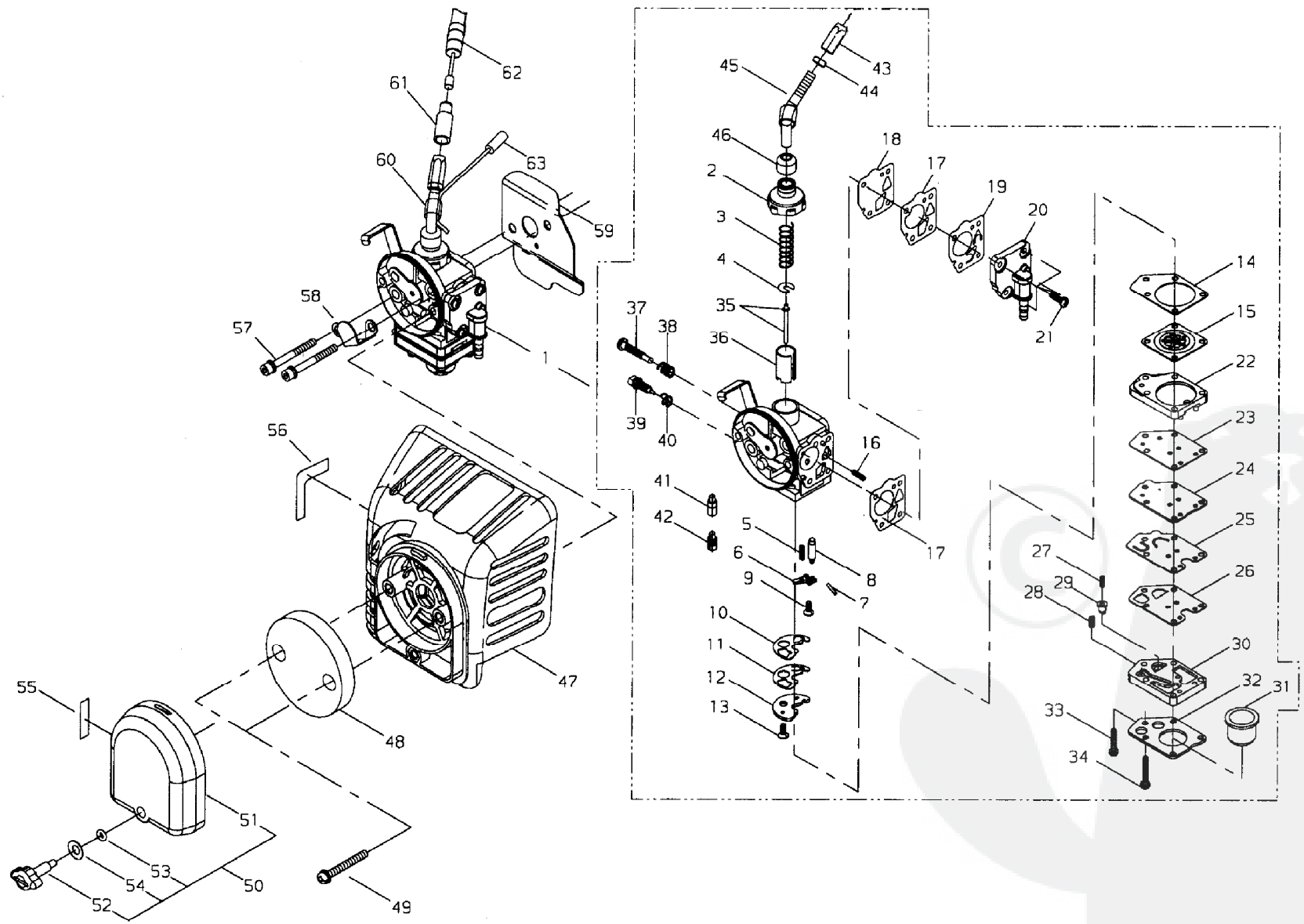
4- 1	70200-71200	ROTOR	1	
2	02403-03100	KEY	1	
3	01511-10061	NUT	1	
4	01600-10251	SPRINGWASHER	1	
5	70200-71610	COIL	1	
6	70200-71640	CORD	1	
7	20011-71660	TUBE	1	
8	20011-72110	GROMMET	1	
9	20011-72120	GROMMET	1	
10	20010-72221	PLUGCAP	1	
11	20000-72241	PLUGCAPCOVER	1	
12	20000-72250	COVERBAND	1	
13	70180-72260	SHIELD	1	
14	20000-72230	SPRINGSPARKPLUG	1	
15	20010-71631	SPACERCOIL	2	
16	01020-04240	BOLT	2	
17	01600-04101	SPRINGWASHER	2	
18	20010-71650	WASHER	2	
19	13000-13406	SPARKPLUGBMR6A	1	





5- 1	70131-75100	RECOILSTARTERSUBASS	1	
2	70131-75110	*STARTERCASE	1	
3	70131-75120	*REEL	1	
4	20024-75130	*RECOILSPRING	1	
5	20035-75170	*SCREW	1	
6	70131-75140	*WASHER	1	
7	20020-75180	*ROPE	1	
8	20010-75190	*STARTERKNOB	1	
9	20010-75210	*STOPPER	1	
10	20010-75230	*TAPE	1	
11	70131-75200	STARTERPULLYASSY	1	
12	70131-75211	*STARTERPULLEY	1	
13	20024-75220	*RATCHET	1	
14	20024-75230	*RETURNSPRING	1	
15	20024-75240	*ERING	1	
16	20000-76210	NUT	1	
17	20020-76111	GASKETSTARTER	1	
18	11022-04160	BOLTSPW	3	
19	11022-04200	BOLTSPW	1	
20	19420-00027	LABELTRADE	1	

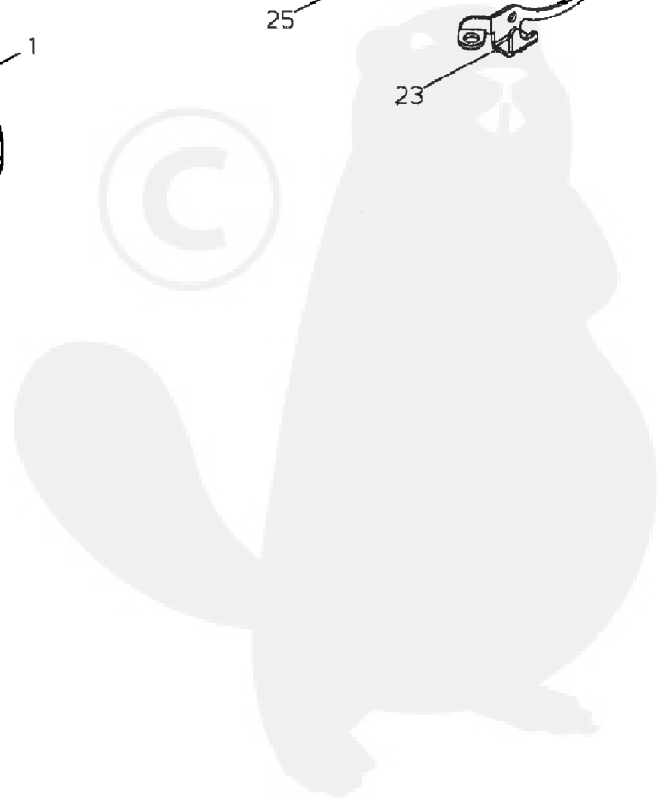
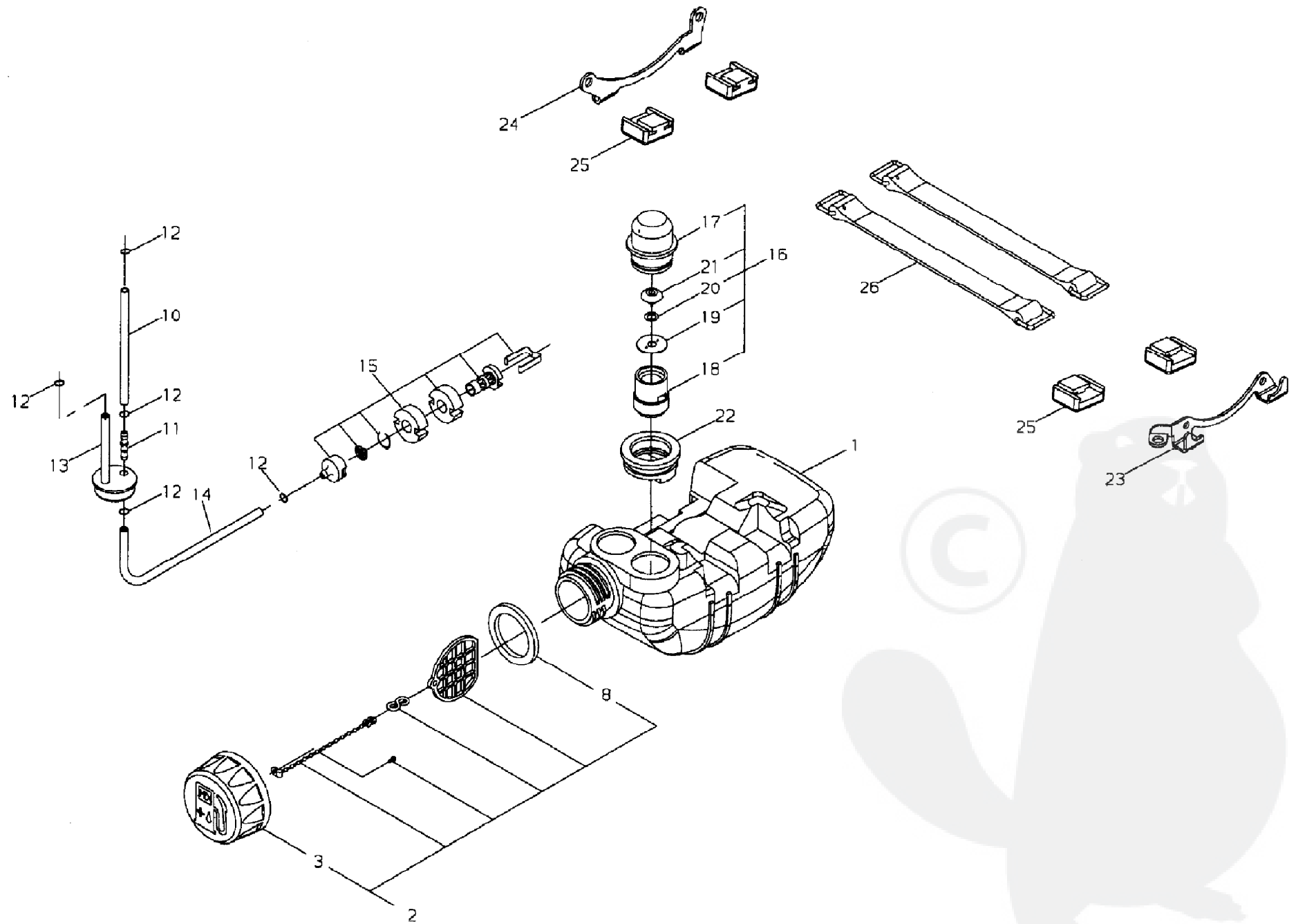




6- 1	62104-81011	CABURETORASSY	1	
2	20055-81120	*BODYCAP	1	
3	20003-81140	*THROTTLESPRING	1	
4	20000-81150	*SPRINGRECEIVE	1	
5	20040-81430	*SPRING	1	
6	20011-81451	*LEVER	1	
7	20011-81460	*PIN	1	
8	20000-81441	*NEEDLEVALVE	1	
9	20011-81470	*SCREW	1	
10	70210-81440	*PACKING	1	
11	70210-81430	*CHECKVALVE	1	
12	70210-81451	*PLATE	1	
13	20011-81470	*SCREW	1	
14	20087-81510	*GASKET	1	
15	20087-81520	*DIAPHRAGM	1	
16	20040-81680	*SPRING	3	
17	20011-81630	*GASKET	2	
18	20011-81621	*DIAPHRAGM	1	
19	20087-81660	*PUMPVALVE	1	
20	20087-81640	*PUMPBODY	1	
21	20000-81650	*SCREW	4	
22	20087-81550	*COVER	1	
23	20087-81890	*PACKING	1	
24	20087-81560	*PLATE	1	
25	20087-81571	*CHECKVALVE	1	
26	20087-81540	*GASKET	1	
27	20087-81851	*SPRING	1	
28	20087-81870	*SPRING	1	
29	20087-81861	*VALVE	1	
30	70210-81810	*PUMPBASE	1	
31	20087-81820	*PUMP	1	
32	20087-81830	*PLATE	1	
33	20087-81840	*SCREW	1	
34	20087-81880	*SCREW	4	
35	62022-81310	*JETNEEDLE	1	
36	70131-81180	*THROTTLEVALVE	1	
37	20000-81310	*SLOWSTOPSCREW	1	
38	72920-81820	*SPRING	1	
39	62104-81310	*ADJUSTSCREWASSY	1	
40	20011-81360	*SPRING	1	
41	70210-81411	*NEEDLEJET	1	
42	70210-81420	*HOLDER	1	
43	20055-81810	*CABLEADJUSTER	1	
44	20000-81260	*LOCKNUT	1	
45	70107-81830	*ADJUSTPIPE	1	
46	20055-81130	*CAP	1	
47	70102-81710	CLEANERBODY	1	
48	20056-81740	FILTER	1	

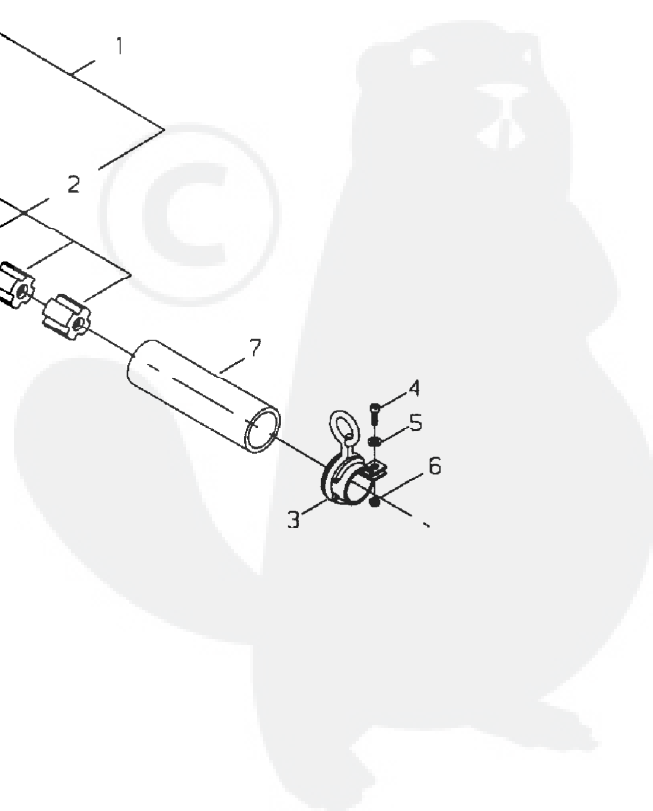
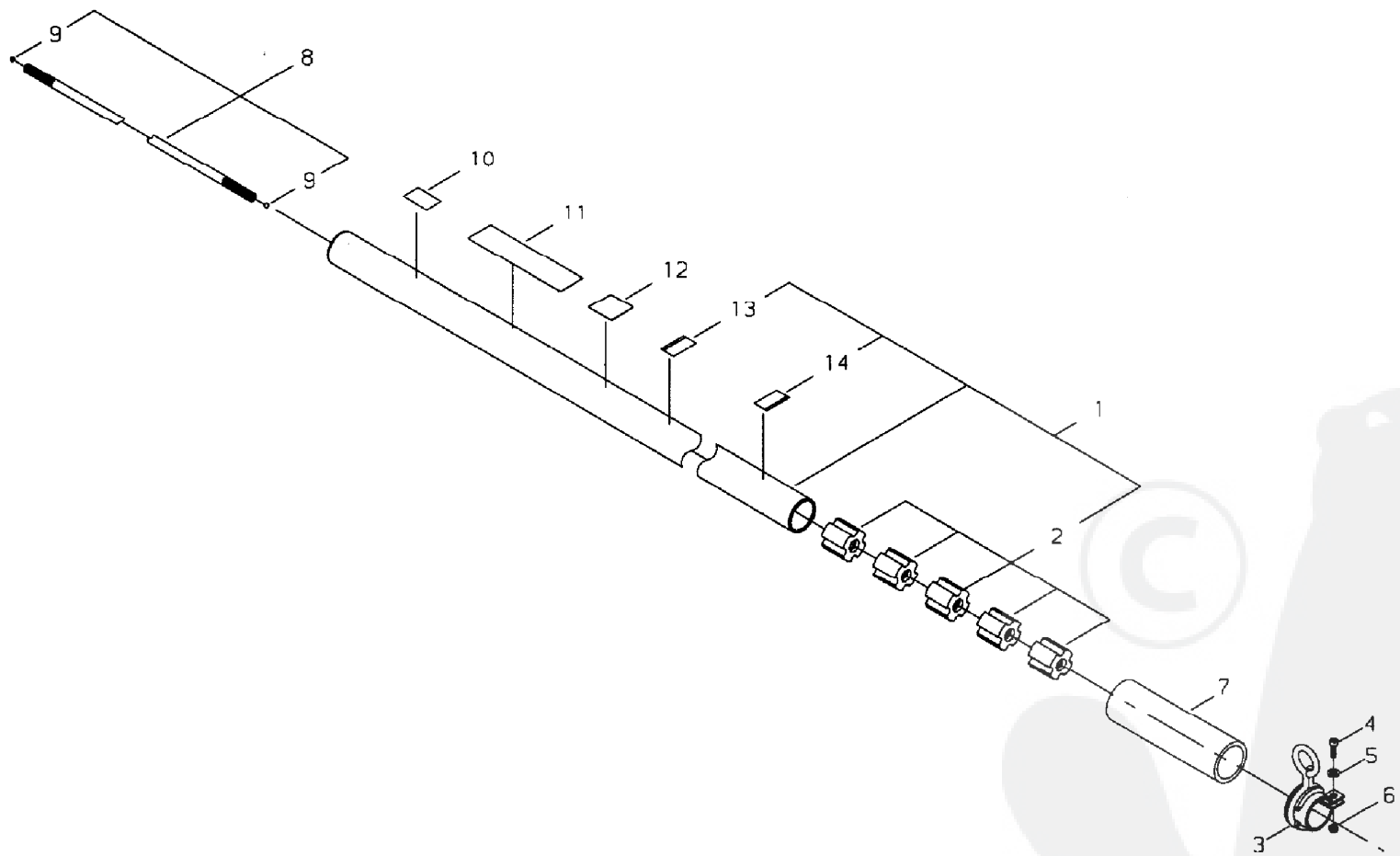
49	11260-04250	SCREWPMSLPW	2	
50	20060-81761	CLEANERCOVERCOMP	1	
51	20060-81770	*CLEANERCOVER	1	
52	20060-81781	*KNOBCLEANERCOVER	1	
53	22100-82430	*ORING	1	
54	20024-81790	*CONEWASHER	1	
55	19404-00008	LABELCHOKE	1	
56	19404-00010	LABELCARBURETOR	1	
57	11022-05550	BOLTSW	2	
58	70131-81750	PLATE	1	
59	20021-83411	GASKETCARBURETOR	1	
60	20060-83180	PIPE	1	
61	20005-83160	CABLECAP	1	
62	70229-83110	THROTTLECABLE	1	
63	70229-83130	EARTHCORD	1	



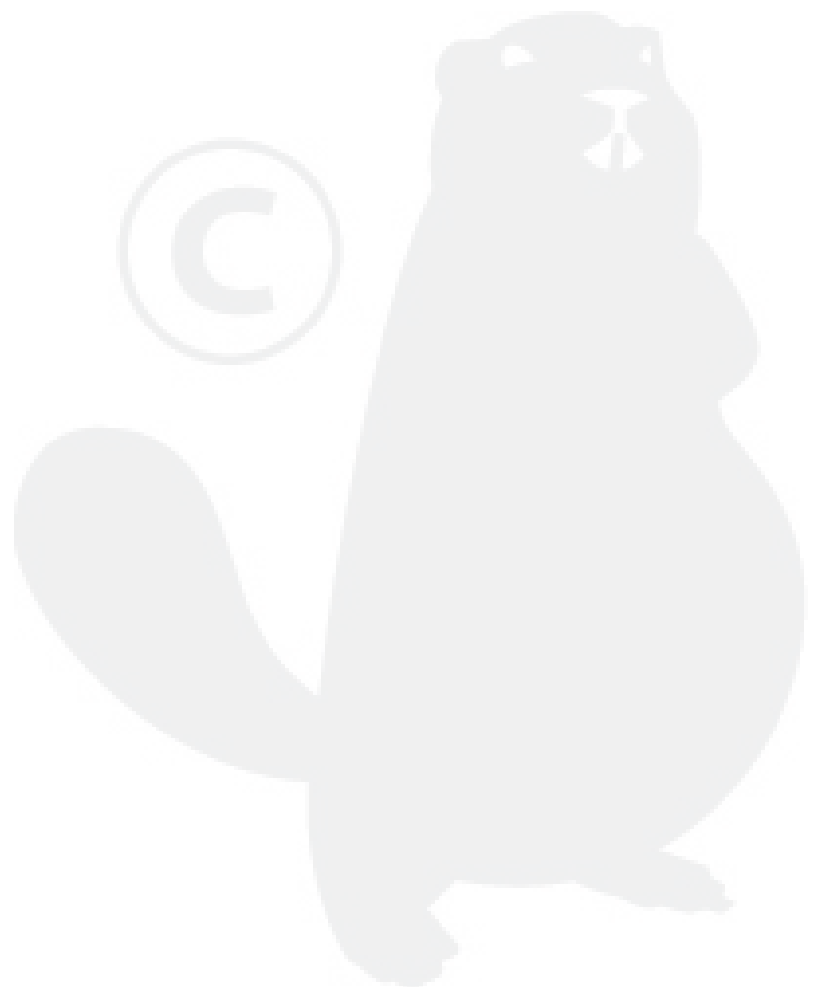


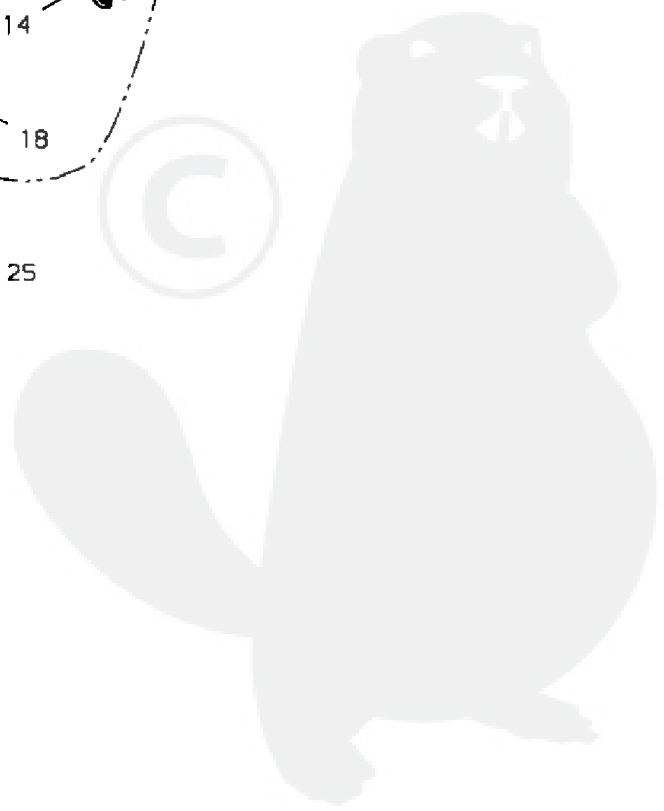
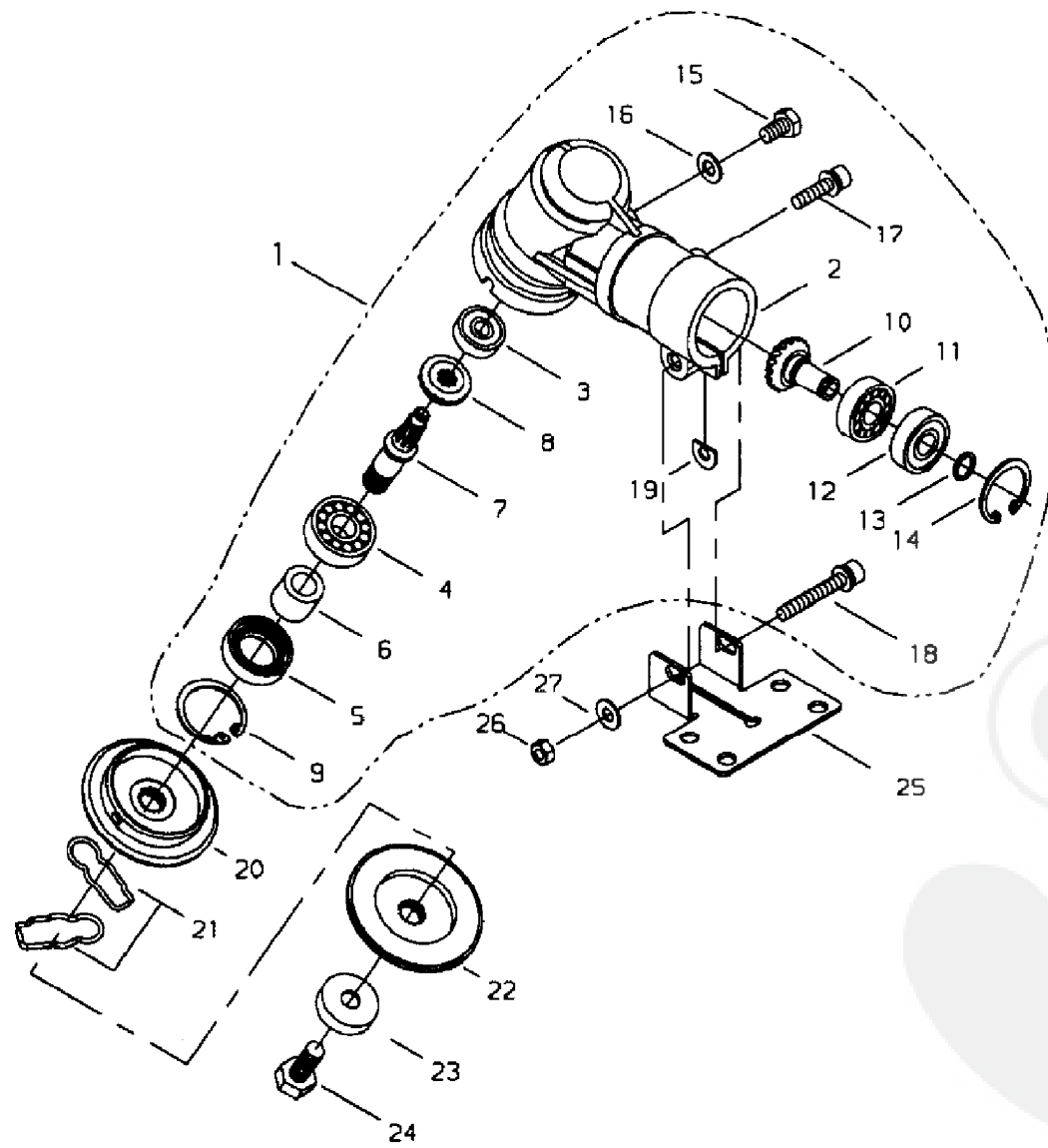
7- 1	70200-85110	FUELTANK	1	
2	70168-85201	FUELCAPASSY	1	
3	70168-85210	*FUELCAP	1	
8	20000-85221	*GASKET	1	
10	70200-85310	FUELPIPE	1	
11	72935-85330	JOINT	1	
12	20020-85540	CLIP	5	
13	70200-85350	GROMMET	1	
14	70200-85320	FUELPIPE	1	
15	22169-35400	FUELFILTERSUBASSY	1	
16	20000-85500	BREATHERSUBASSY	1	
17	20000-85511	*CAPBREATHER	1	
18	20000-85521	*HOLDERVALVE	1	
19	22100-85240	*RETAINERFUEL	1	
20	22100-85250	*WASHERFUEL	1	
21	22100-85260	*VALVEFUEL	1	
22	20000-85579	GROMMETBREATHER	1	
23	20021-86110	BRACKETS	1	
24	20011-86120	BRACKETM	1	
25	20010-86130	CUSHION	4	
26	20010-86140	BAND	2	



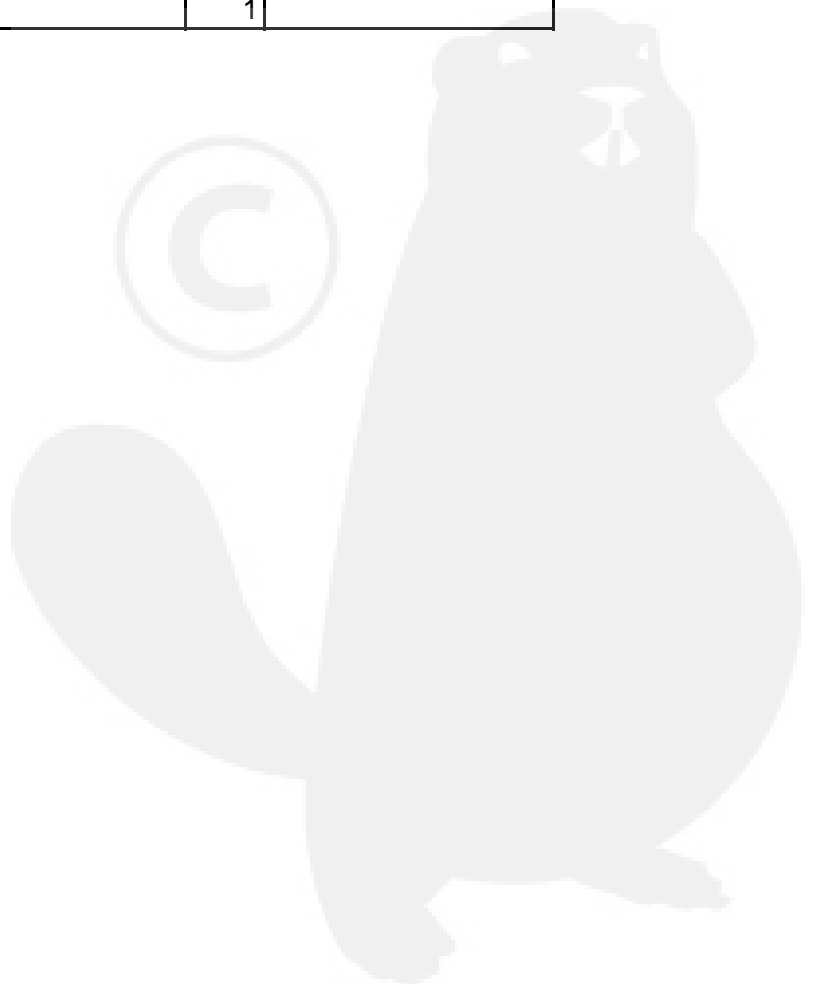
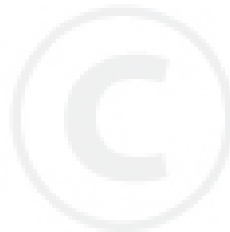


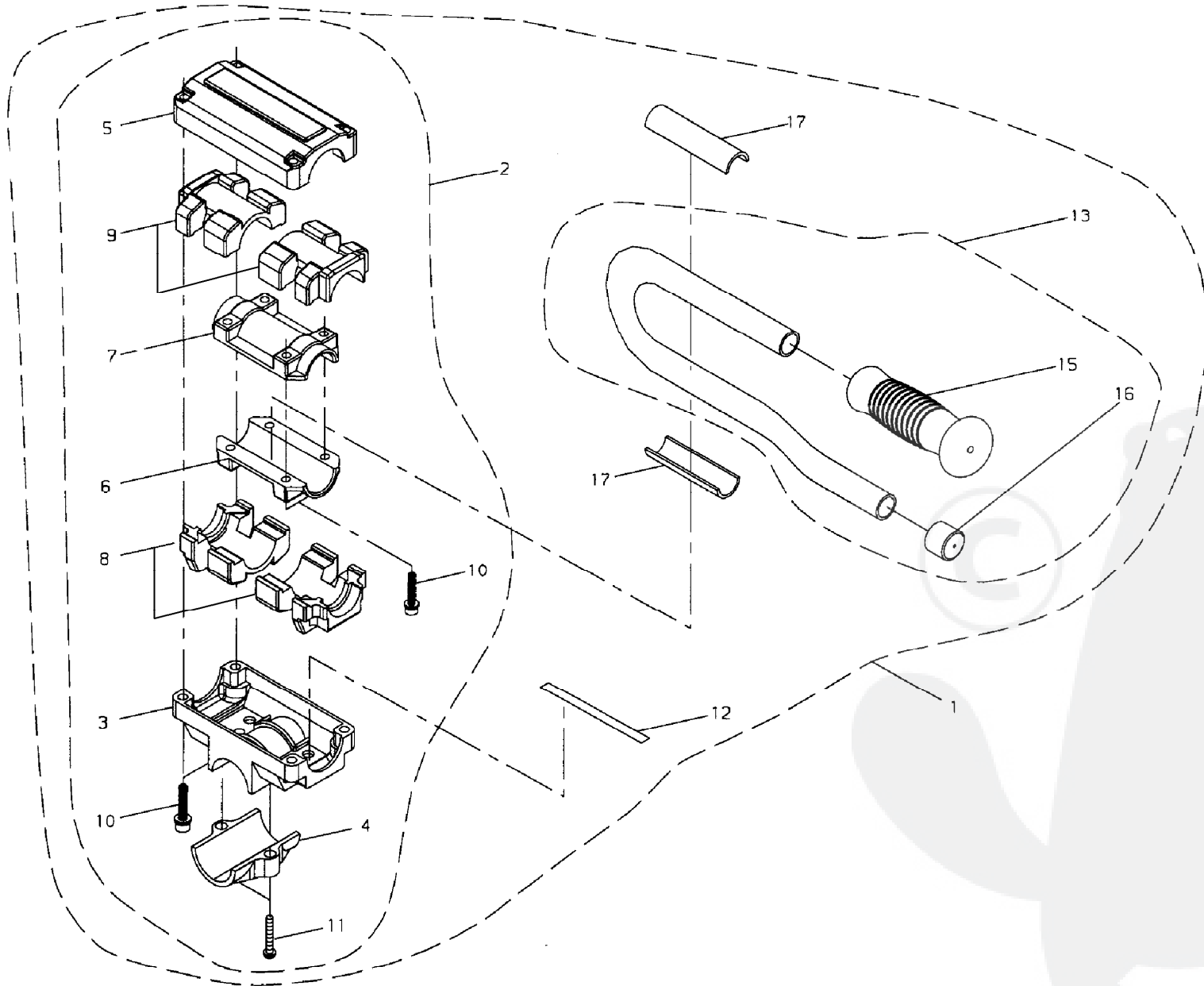
8- 1	72551-12101	OUTERPIPESUBASSY	1	
2	22021-12120	*BUSHING	5	
13	72017-12150	*HANDLELABEL	1	
14	72005-12140	*CAUTIONPLATE	1	
3	22017-12210	HANGER	1	
4	01020-05120	BOLT	1	
5	01600-05131	SPRINGWASHER	1	
6	01500-05041	NUT	1	
7	63040-62311	PROTECTOR	1	
8	72550-12400	MAINSHAFTSUBASSY	1	
9	22021-12420	*STOPPER	2	
10	19402-00223	LABELCAUTION	1	
11	19422-00010	LABELCAUTION	1	
12	19404-00052	LABELDECIBEL	1	





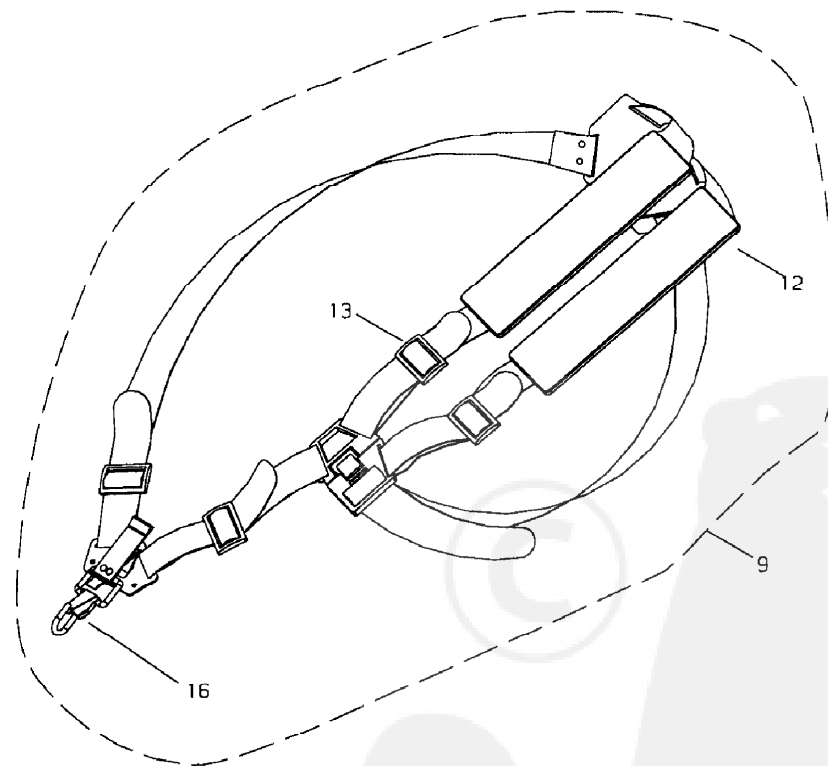
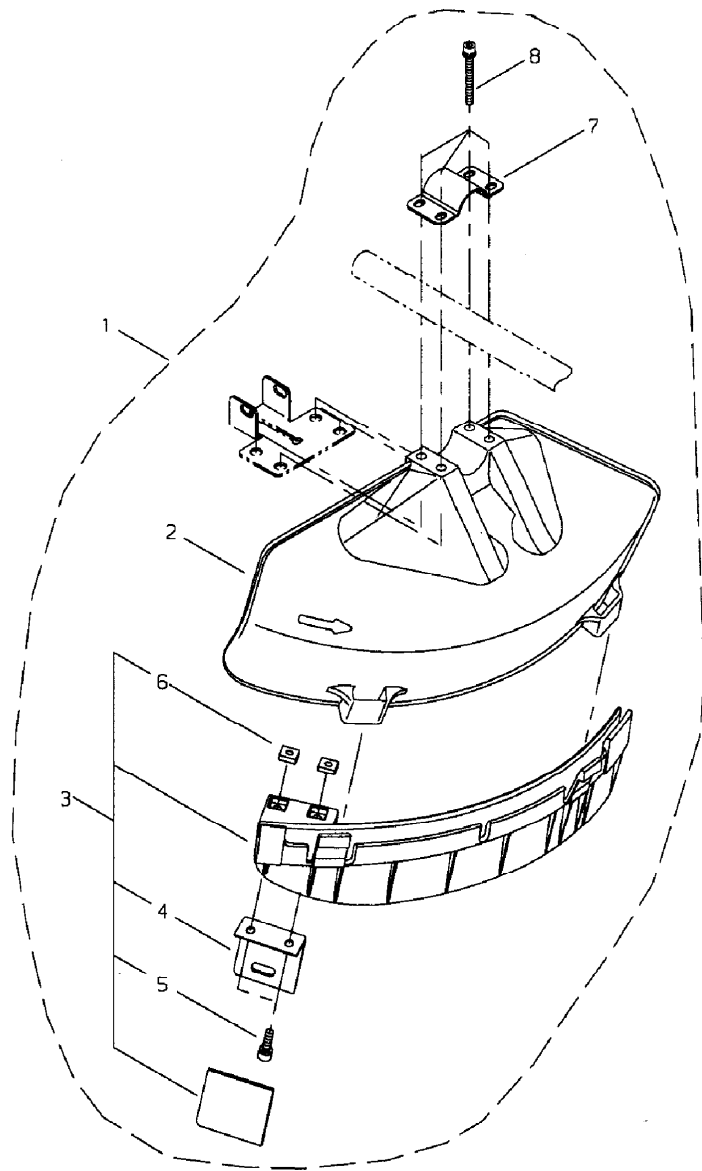
9- 1	63020-63020	GEARCASESUBASSY	1	
2	63020-63110	*GEARCASE	1	
3	02006-06000	*BEARING	1	
4	02000-06202	*BEARING	1	
5	72447-13121	*OILSEAL	1	
6	22015-13230	*COLLAR	1	
7	63019-63130	*GEARSHAFT	1	
8	22015-13220	*BEVELGEAR	1	
9	02432-35150	*SNAPRING	1	
10	22021-13390	*PINIONSET	1	
11	02000-06001	*BEARING	1	
12	02002-06001	*BEARING	1	
13	20000-31140	*SNAPRING	1	
14	02432-28120	*SNAPRING	1	
15	22015-13410	*BOLT	1	
16	22015-13420	*GASKET	1	
17	11022-06140	*BOLTSPW	1	
18	11022-06400	*BOLTSPW	1	
19	22011-13450	*SHIM	1	
20	72447-13240	HOLDERA	1	
21	22015-13290	SLIDEPIN	2	
22	63020-63171	HOLDER	1	
23	22015-13270	BOLTGUARD	1	
24	63019-63310	BOLT	1	
25	72017-16130	LOWERCLAMP	1	
26	01500-06051	NUT	1	
27	01613-06100	WASHER	1	





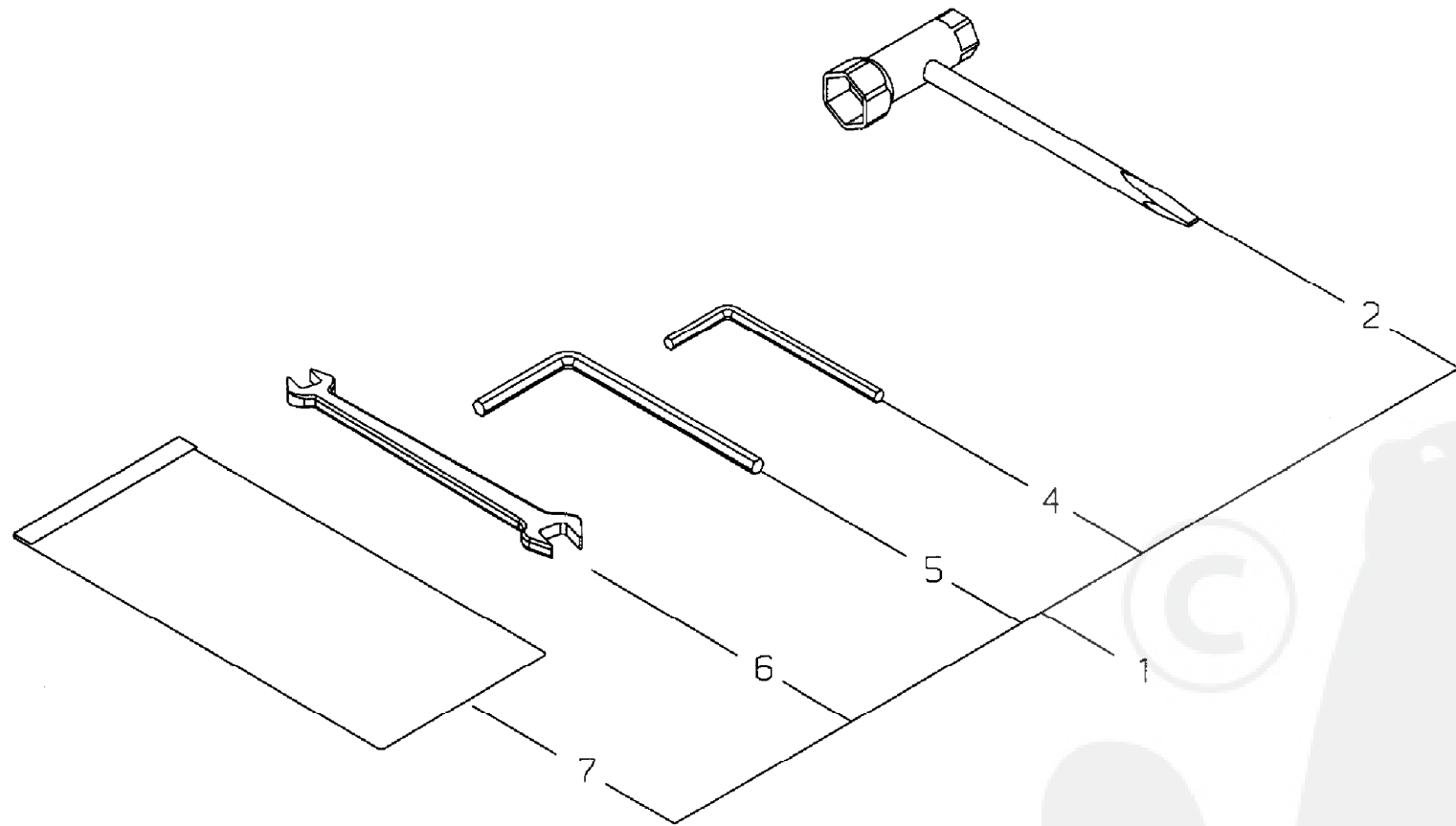
10- 1	62060-64010	HANDLEASSY	1	
2	72555-14100	*BRACKETCOMP	1	
3	72555-14110	**HANDLEBRACKET	1	
4	72555-14120	**LOWERCAP	1	
5	72555-14130	**UPPERCAP	1	
6	22015-14140	**LOWERCLAMP	1	
7	22015-14150	**UPPERCLAMP	1	
8	22015-14160	**LOWERCUSHION	2	
9	22015-14170	**UPPERCUSHION	2	
10	11022-05250	**BOLTSPW	8	
11	11210-06250	**SCREWBUTTON	2	
12	72514-14190	*EARTHCORD	1	
13	72430-14200	*HANDLESUBASSY	1	
15	22421-14230	**GRIP	1	
16	72430-14270	**CAP	1	
17	72556-14260	*SPACER	2	



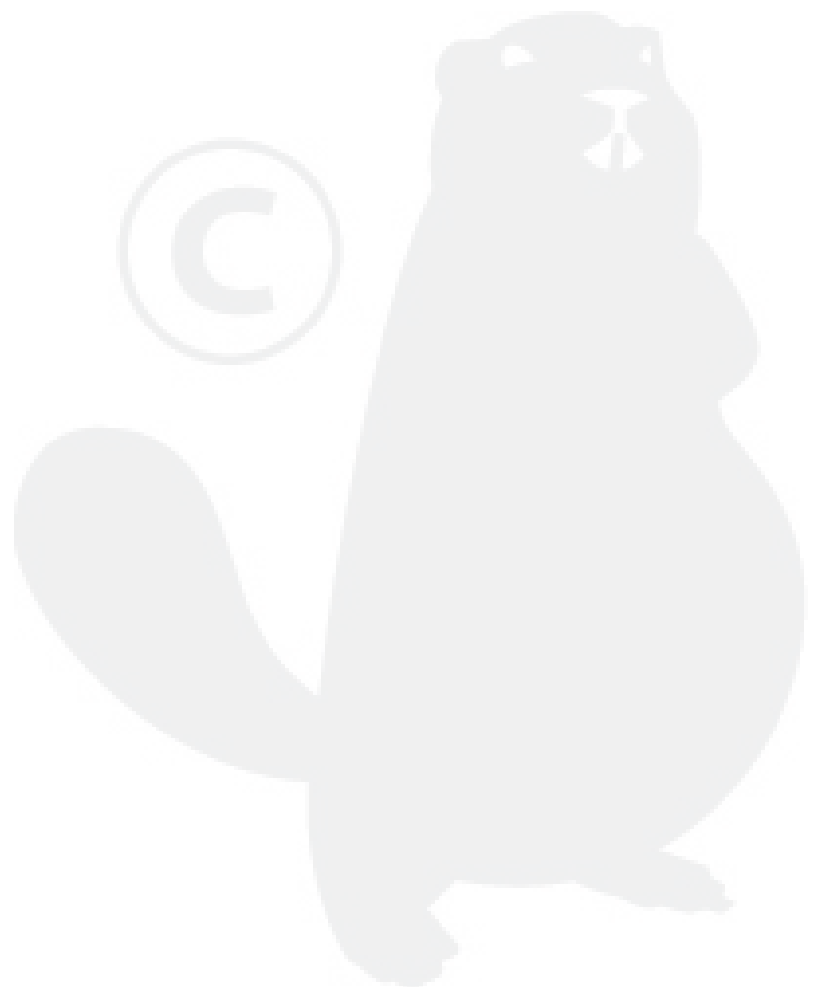


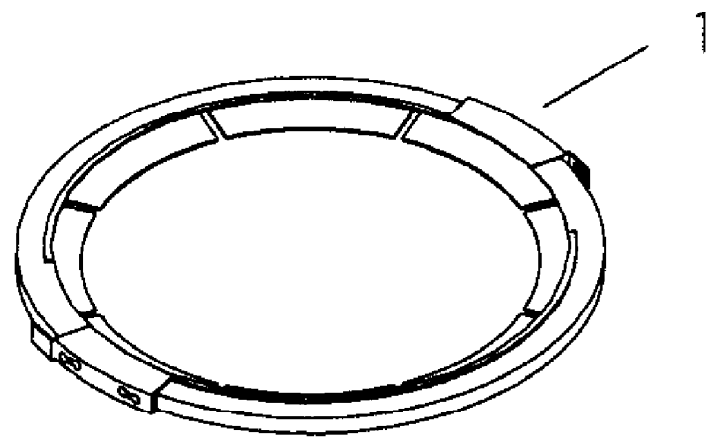
11- 1	64008-66310	GUARDSET	1	
2	62903-66110	*GUARD	1	
3	62903-66331	*SUBGUARDASSY	1	
4	72480-16121	**CUTTER	1	
5	11020-05160	**BOLTSW	2	
6	22420-16120	**NUT	2	
7	72480-16210	*UPPERCLAMP	1	
8	11022-05450	*BOLTSPW	4	
9	22534-17201	HARNESSASSY	1	
12	22533-17220	*PROTECTOR	2	
13	72451-17230	*BUCKLE	4	
16	22020-17130	*HOOK	1	





12- 1	72547-91100	TOOLSET	1	
2	72518-91180	*WRENCH17X19	1	
4	09026-04001	*HEXAWRENCH5MM	1	
5	09026-05001	*HEXAWRENCH6MM	1	
6	22000-91120	*SPANNER	1	
7	19639-01700	*TOOLBAG	1	





13- 1	22550-92310	BLADECOVER	1	
-------	-------------	------------	---	--

