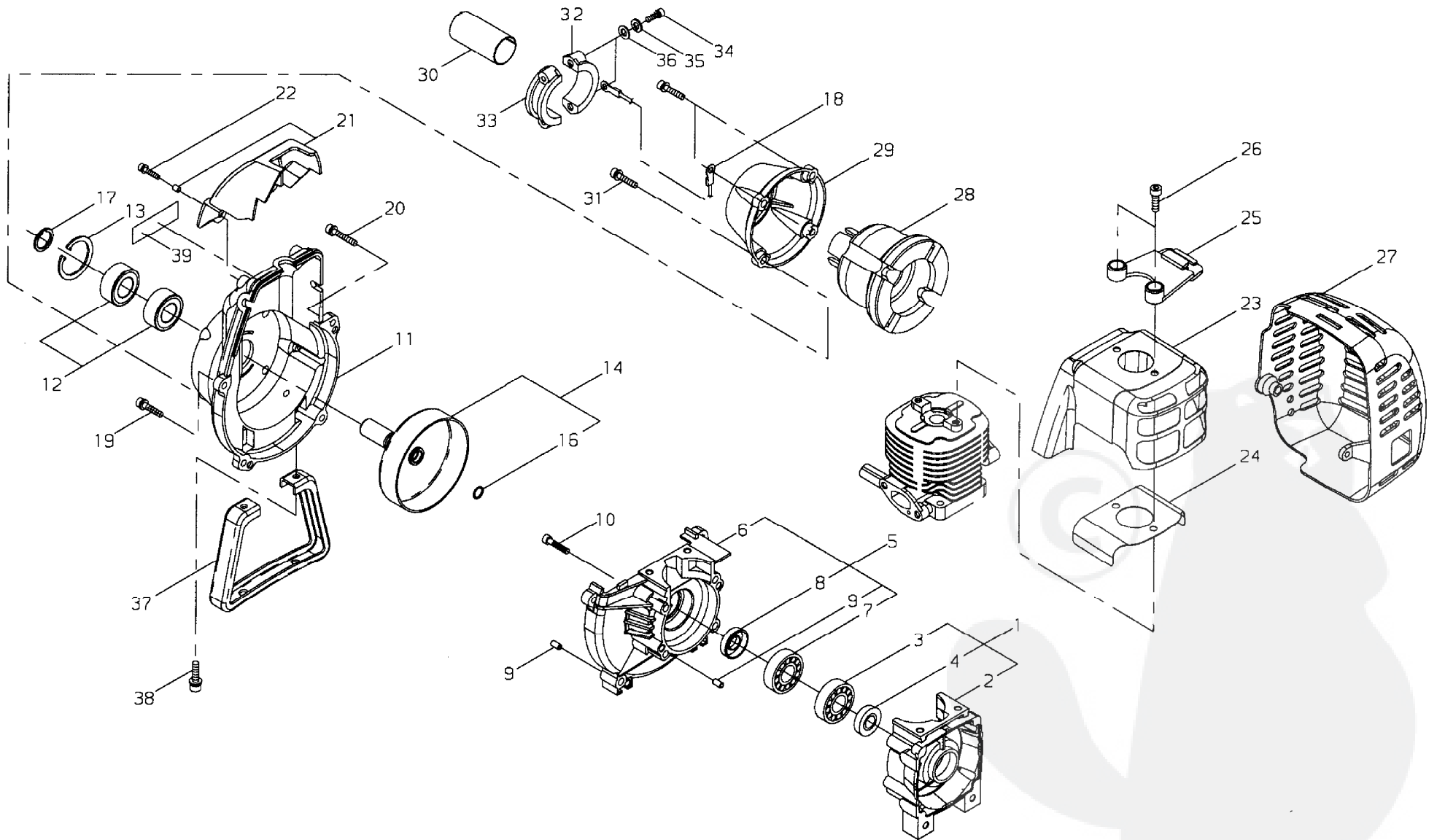
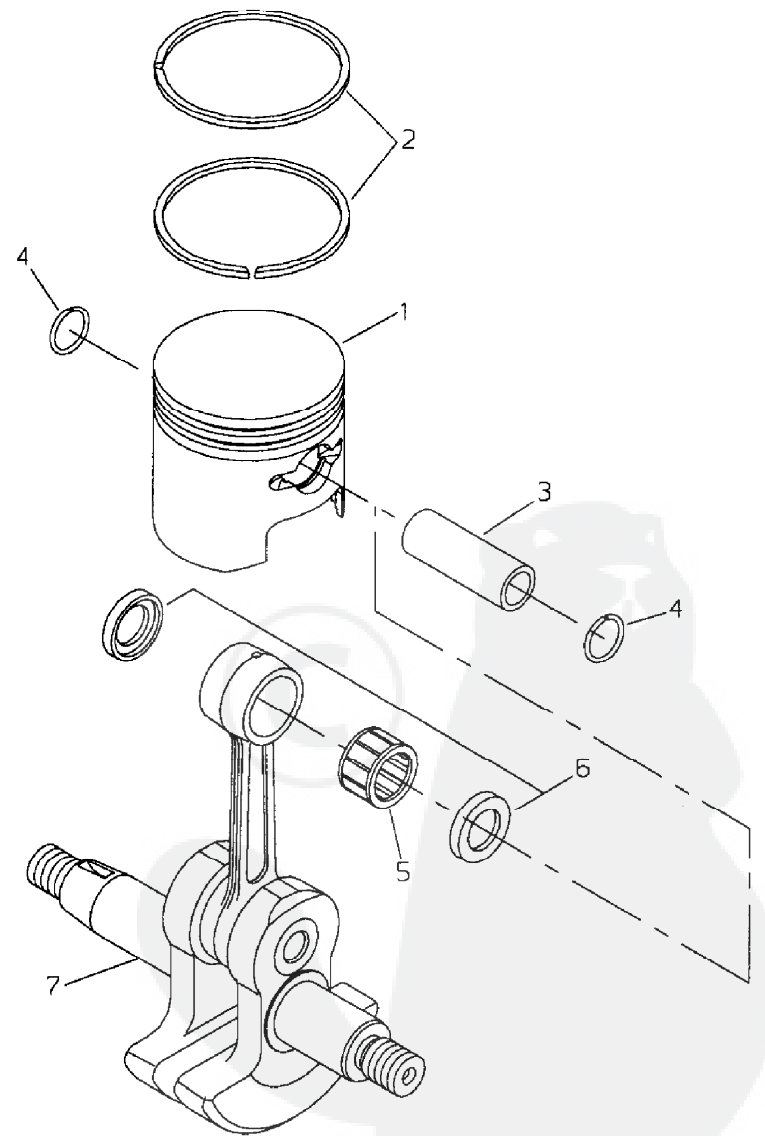
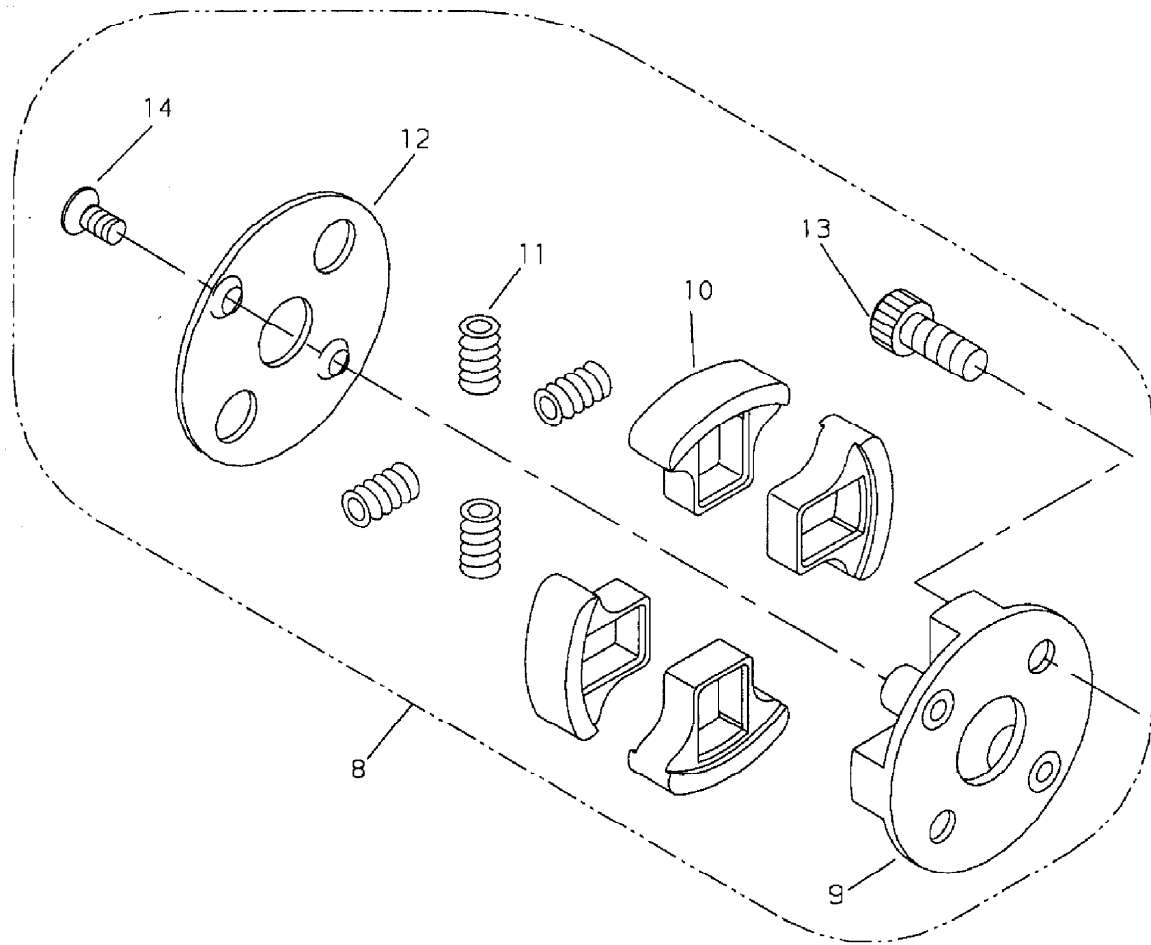


Ref. No	Part No.	Part Name	Q`ty	Remarks,Serial No.
1- 1	70196-12110	CYLINDER	1	
2	20010-12121	GASKETCYLINDER	1	
3	01020-05250	BOLT	4	
4	01600-05131	SPRINGWASHER	4	
5	20060-12210	INSULATOR	1	
6	20011-12221	GASKET	1	
7	11022-05250	BOLTSPW	2	
8	20024-12260	NUT	2	
9	62102-15010	MUFFLERASSY	1	
10	62104-15110	*MUFFLER	1	
11	70200-15151	*SPARKARRESTER	1	
12	62104-15210	GASKET	1	
13	01020-06250	BOLT	2	
14	11024-05120	BOLTSLPW	1	



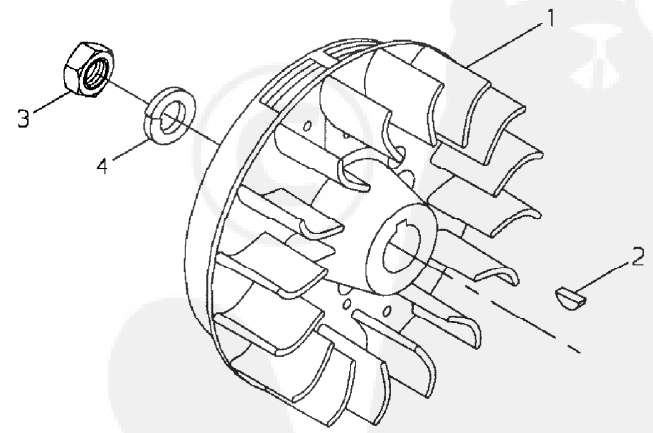
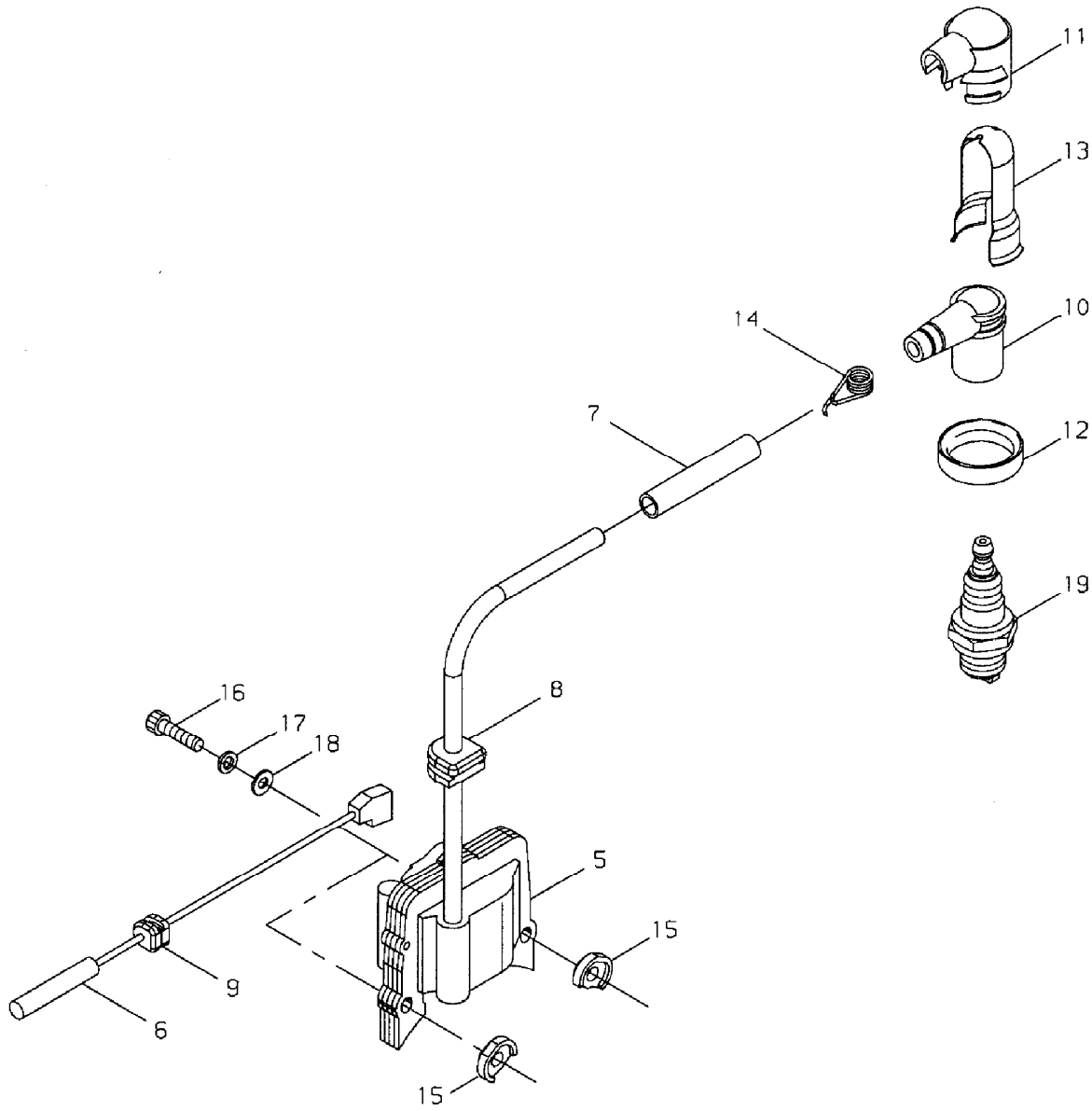


2- 1	72935-21101	CRANKCASESCOMP	1	
2	72935-21111	*CRANKCASES	1	
3	12900-62020	*BEARING	1	
4	20010-21211	*OILSEAL	1	
5	70062-21200	CRANKCASEMCOMP	1	
6	72921-21121	*CRANKCASEM	1	
7	12900-62020	*BEARING	1	
8	20010-21211	*OILSEAL	1	
9	12492-50100	*DOWELPIN	4	
10	01020-05300	BOLT	4	
11	70012-31111	FANCOVER	1	
12	02006-06002	BEARING	2	
13	02432-32120	SNAPRING	1	
14	20011-31200	CLUTCHDRUMSET	1	
16	20011-31220	*SNAPRING	1	
17	20011-31230	SNAPRING	1	
18	70192-31510	EARTHCORD	1	
19	11022-05200	BOLTSPW	3	
20	11022-05300	BOLTSPW	1	
21	70131-34100	PROTECTORCOMP	1	
22	11024-04160	BOLTSLPW	2	
23	70196-32110	CYLINDERCOVER	1	
24	70196-32141	GASKET	1	
25	62104-32310	STAY	1	
26	11022-05180	BOLTSPW	2	
27	62104-32320	MUFFLERCOVER	1	
28	20011-35110	JOINT	1	
29	70012-35130	CAPJOINT	1	
30	70136-35170	SPACER	1	
31	11022-05200	BOLTSPW	4	
32	20011-35141	CLAMPA	1	
33	20011-35151	CLAMPB	1	
34	01020-05250	BOLT	2	
35	01600-05131	SPRINGWASHER	2	
36	01610-05080	WASHER	2	
37	70200-33112	STAND	1	
38	11022-05160	BOLTSPW	2	
39	70207-31150	LABELTRADE	1	



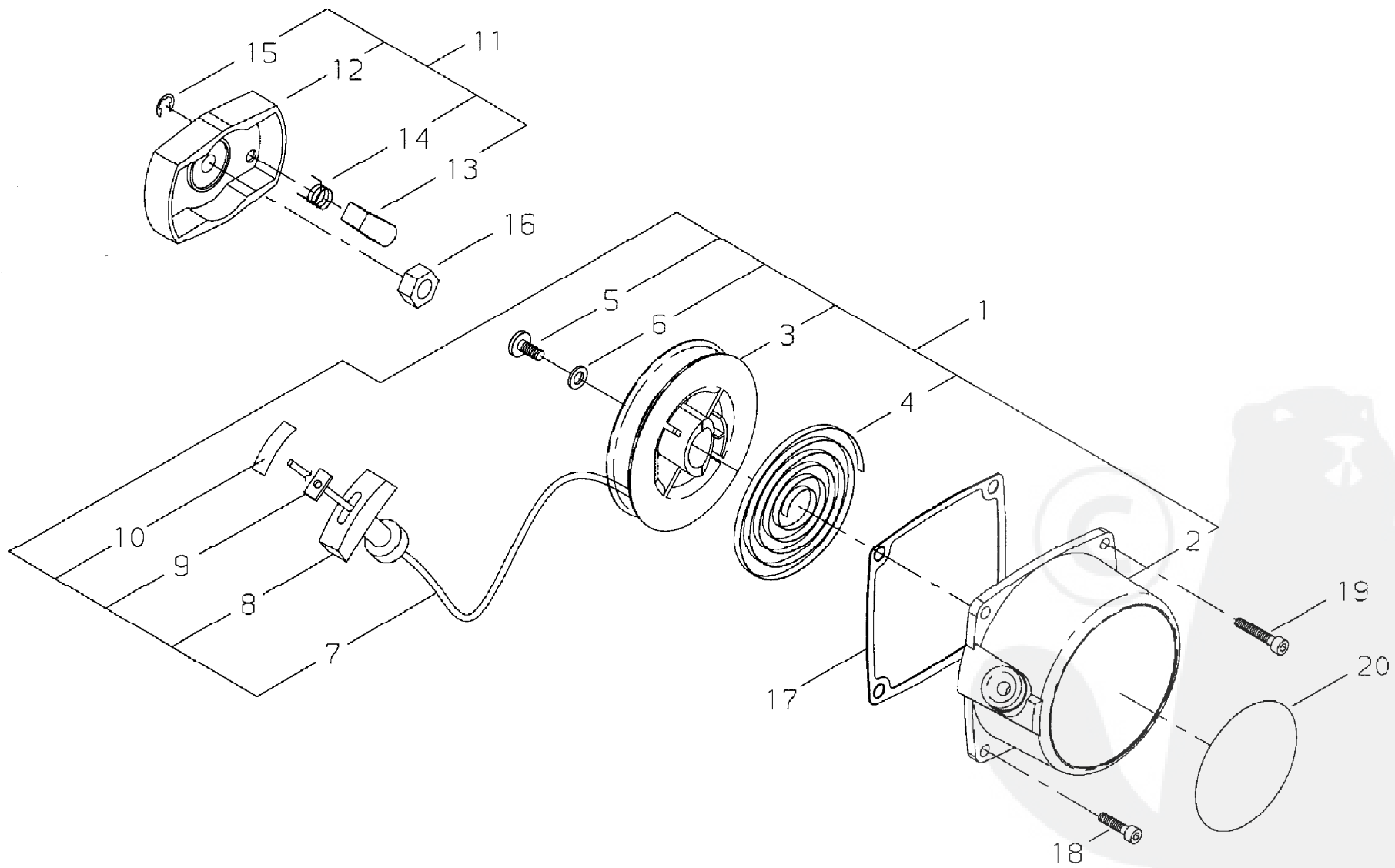
3- 1	20010-41110	PISTON	1	
2	20010-41210	PISTONRING	2	
3	20010-41310	PISTONPIN	1	
4	22100-41230	SNAPRING	2	
5	20010-41330	NEEDLEBEARING	1	
6	70200-41340	THRUSTWASHER	2	
7	20010-42002	CRANKSHAFTASSY	1	
8	70210-51100	CLUTCHSHOEASSY	1	
9	20020-51112	*CLUTCHBOSS	1	
10	20020-51121	*CLUTCHSHOE	4	
11	20020-51131	*SPRING	4	
12	20020-51140	*PLATE	1	
13	20020-51150	*CLUTCHBOLT	2	
14	70210-51160	*SCREWFLAT	2	





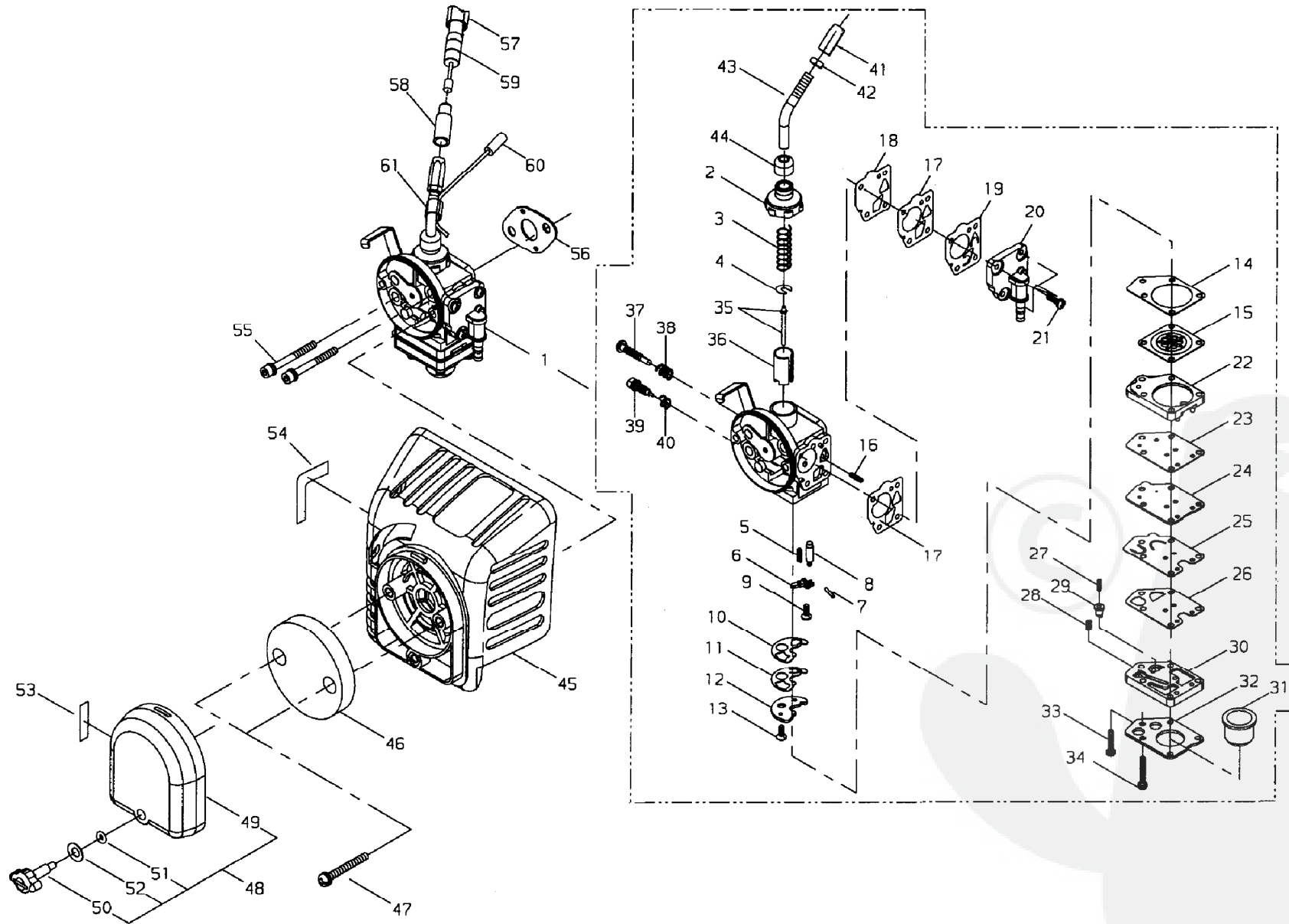
4- 1	70200-71200	ROTOR	1	
2	02403-03100	KEY	1	
3	01511-10061	NUT	1	
4	01600-10251	SPRINGWASHER	1	
5	70200-71610	COIL	1	
6	70200-71640	CORD	1	
7	20011-71660	TUBE	1	
8	20011-72110	GROMMET	1	
9	20011-72120	GROMMET	1	
10	20010-72221	PLUGCAP	1	
11	20000-72241	PLUGCAPCOVER	1	
12	20000-72250	COVERBAND	1	
13	70180-72260	SHIELD	1	
14	20000-72230	SPRINGSPARKPLUG	1	
15	20010-71631	SPACERCOIL	2	
16	01020-04240	BOLT	2	
17	01600-04101	SPRINGWASHER	2	
18	20010-71650	WASHER	2	
19	13000-13406	SPARKPLUGBMR6A	1	





5- 1	70131-75100	RECOILSTARTERSUBASS	1	
2	70131-75110	*STARTERCASE	1	
3	70131-75120	*REEL	1	
4	20024-75130	*RECOILSPRING	1	
5	20035-75170	*SCREW	1	
6	70131-75140	*WASHER	1	
7	20020-75180	*ROPE	1	
8	20010-75190	*STARTERKNOB	1	
9	20010-75210	*STOPPER	1	
10	20010-75230	*TAPE	1	
11	70131-75200	STARTERPULLYASSY	1	
12	70131-75211	*STARTERPULLEY	1	
13	20024-75200	*STARTERPULLYSUBASS	1	
14	20024-75230	*RETURNSPRING	1	
15	20024-75240	*ERING	1	
16	20000-76210	NUT	1	
17	20020-76111	GASKETSTARTER	1	
18	11022-04160	BOLTSPW	3	
19	11022-04200	BOLTSPW	1	
20	19420-00027	LABELTRADE	1	

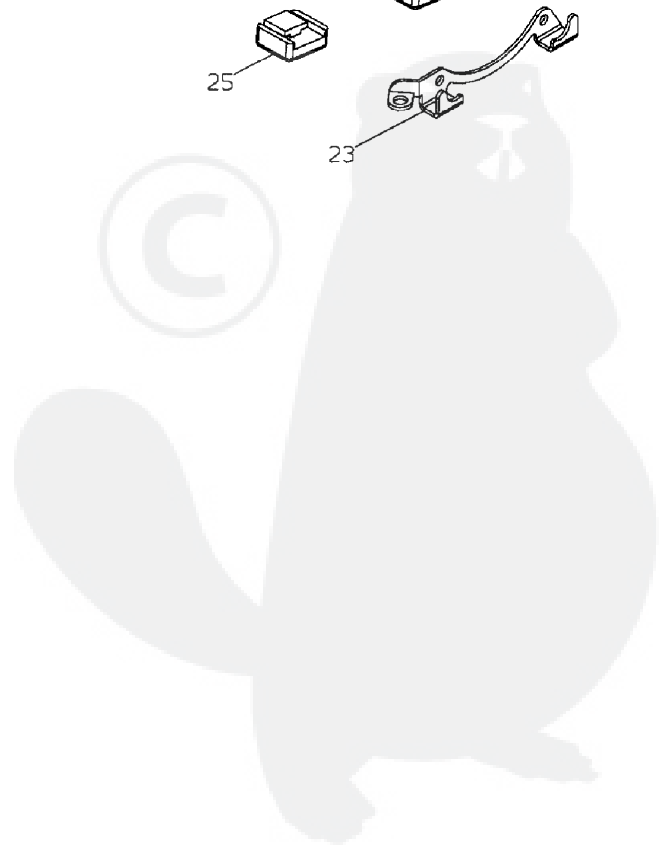
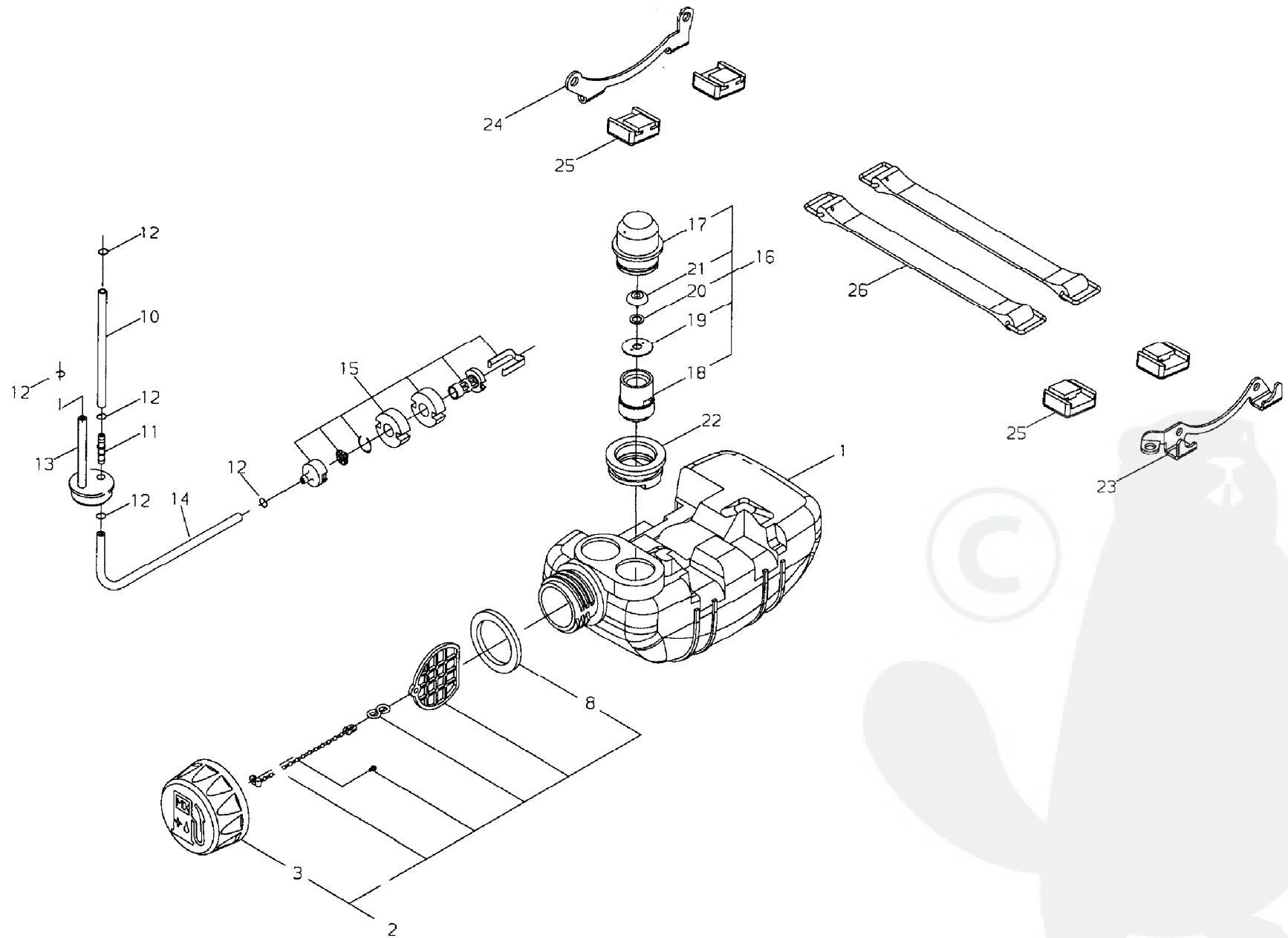




6- 1	62102-81010	CABURETORASSY	1	
2	20055-81120	*BODYCAP	1	
3	20003-81140	*THROTTLESPRING	1	
4	20000-81150	*SPRINGRECEIVE	1	
5	20040-81430	*SPRING	1	
6	20011-81451	*LEVER	1	
7	20011-81460	*PIN	1	
8	20000-81441	*NEEDLEVALVE	1	
9	20011-81470	*SCREW	1	
10	20087-81420	*PACKING	1	
11	20087-81411	*CHECKVALVE	1	
12	70200-81430	*PLATE	1	
13	20011-81470	*SCREW	1	
14	20087-81510	*GASKET	1	
15	20087-81520	*DIAPHRAGM	1	
16	20040-81680	*SPRING	2	
17	20011-81630	*GASKET	2	
18	20011-81621	*DIAPHRAGM	1	
19	20087-81660	*PUMPVALVE	1	
20	20087-81640	*PUMPBODY	1	
21	20000-81650	*SCREW	4	
22	20087-81550	*COVER	1	
23	20087-81890	*PACKING	1	
24	20087-81560	*PLATE	1	
25	20087-81571	*CHECKVALVE	1	
26	20087-81540	*GASKET	1	
27	20087-81851	*SPRING	1	
28	20087-81870	*SPRING	1	
29	20087-81861	*VALVE	1	
30	20087-81811	*PUMPBASE	1	
31	20087-81820	*PUMP	1	
32	20087-81830	*PLATE	1	
33	20087-81840	*SCREW	1	
34	20087-81880	*SCREW	4	
35	62102-81320	*JETNEEDLE	1	
36	70131-81180	*THROTTLEVALVE	1	
37	20000-81310	*SLOWSTOPSCREW	1	
38	72920-81820	*SPRING	1	
39	62102-81330	*MAINADJSCREW	1	
40	20011-81360	*SPRING	1	
41	20055-81810	*CABLEADJUSTER	1	
42	20000-81260	*LOCKNUT	1	
43	70107-81830	*ADJUSTPIPE	1	
44	20055-81130	*CAP	1	
45	70102-81710	CLEANERBODY	1	
46	20056-81740	FILTER	1	
47	11207-04250	SCREWPMPLPW	2	
48	20060-81761	CLEANERCOVERCOMP	1	

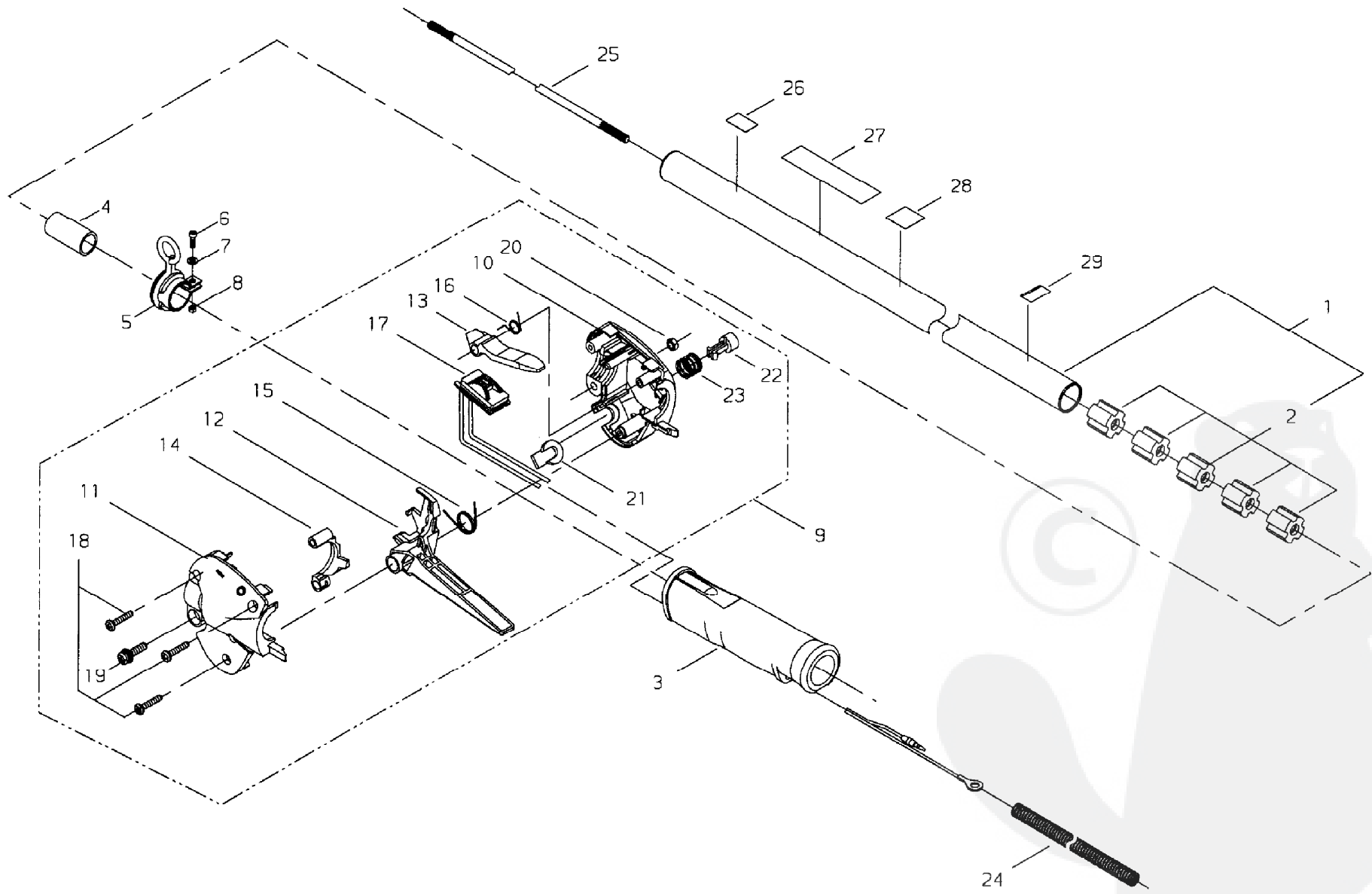
49	20060-81770	*CLEANERCOVER	1	
50	20060-81781	*KNOBCLEANERCOVER	1	
51	22100-82430	*ORING	1	
52	20024-81790	*CONEWASHER	1	
53	19404-00008	LABELCHOKE	1	
54	19404-00010	LABELCARBURETOR	1	
55	11022-05550	BOLTSW	2	
56	20011-83411	GASKETCARBURETOR	1	
57	20020-83120	PIPE	1	
58	20005-83160	CABLECAP	1	
59	62000-83110	THROTTLECABLE	1	
60	70056-83130	EARTHCORDA	1	
61	20060-83180	PIPE	1	



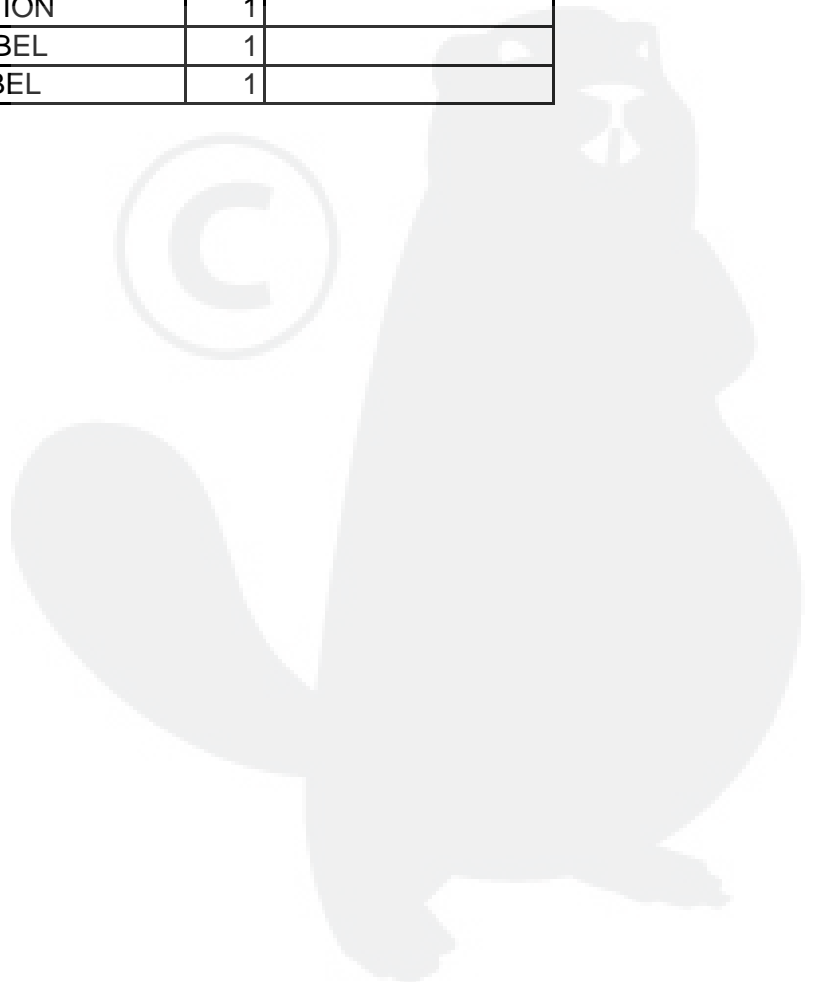
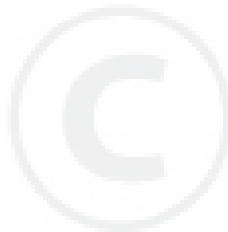


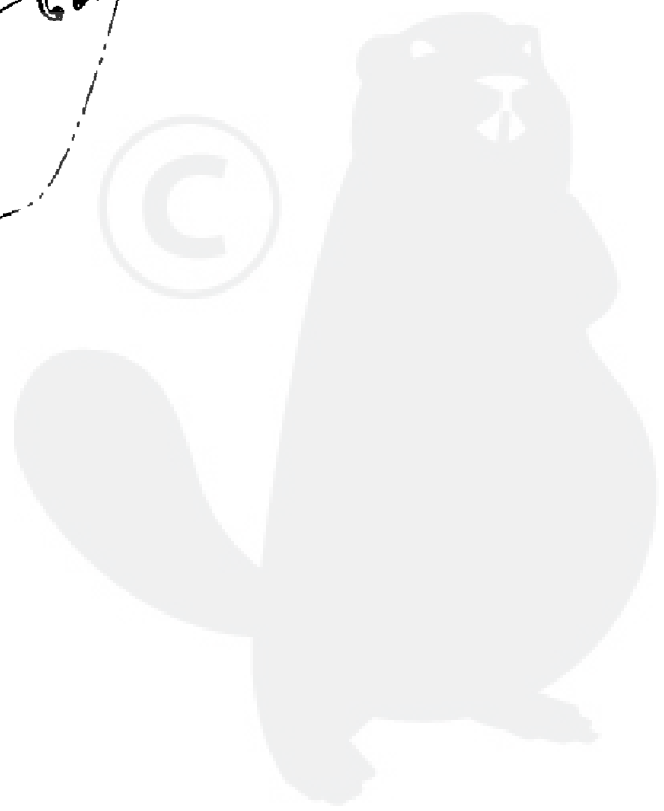
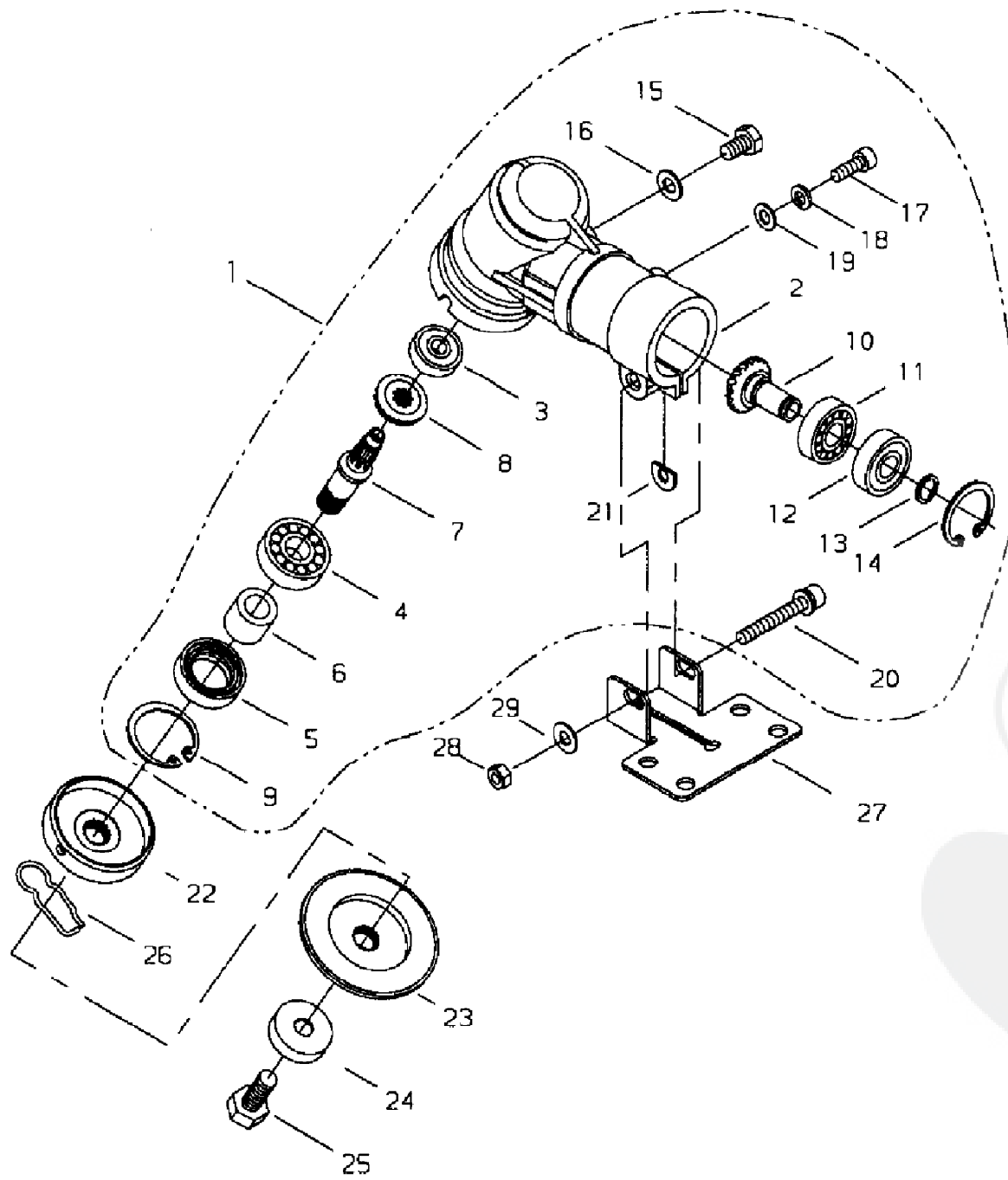
7- 1	70200-85110	FUELTANK	1	
2	70168-85201	FUELCAPASSY	1	
3	70168-85210	*FUELCAP	1	
8	20000-85221	*GASKET	1	
10	70200-85310	FUELPIPE	1	
11	72935-85330	JOINT	1	
12	20020-85540	CLIP	5	
13	70200-85350	GROMMET	1	
14	70200-85320	FUELPIPE	1	
15	22169-35400	FUELFILTERSUBASSY	1	
16	20000-85500	BREATHERSUBASSY	1	
17	20000-85511	*CAPBREATHER	1	
18	20000-85521	*HOLDERVERVALVE	1	
19	22100-85240	*RETAINERFUEL	1	
20	22100-85250	*WASHERFUEL	1	
21	22100-85260	*VALVEFUEL	1	
22	20000-85579	GROMMETBREATHER	1	
23	20021-86110	BRACKETS	1	
24	20011-86120	BRACKETM	1	
25	20010-86130	CUSHION	4	
26	20010-86140	BAND	2	



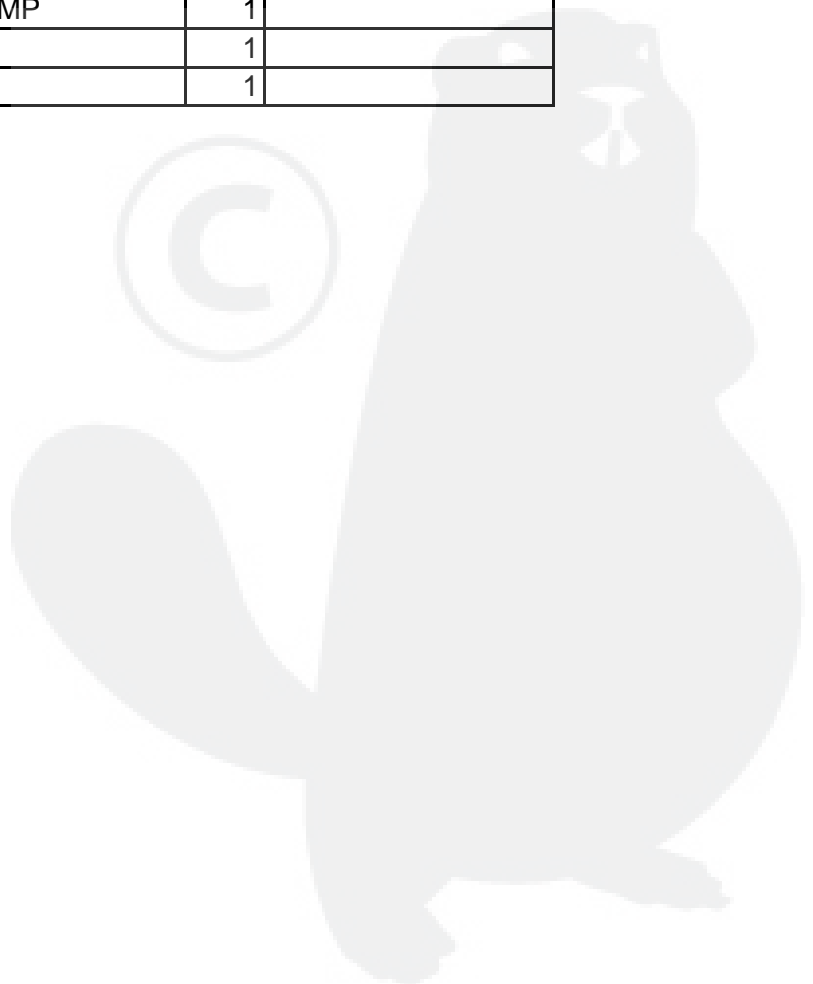


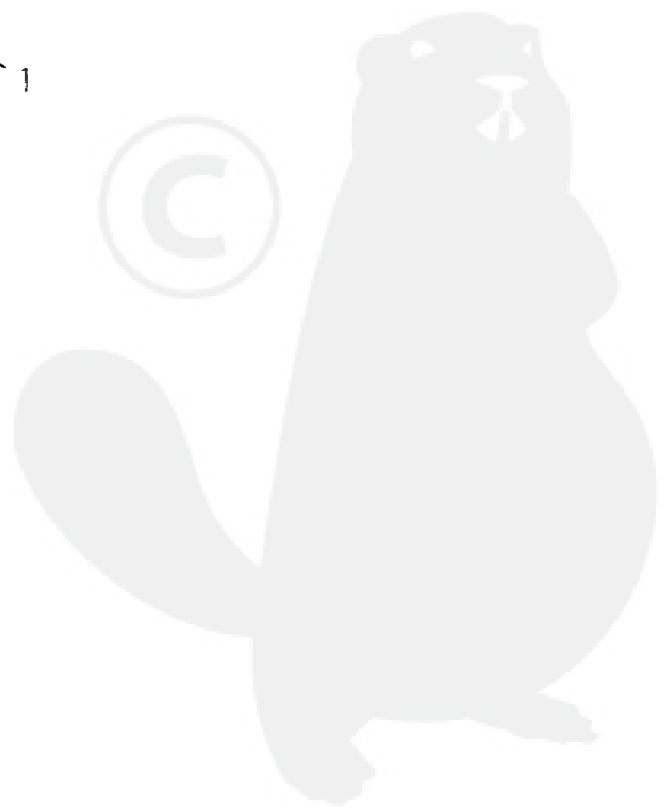
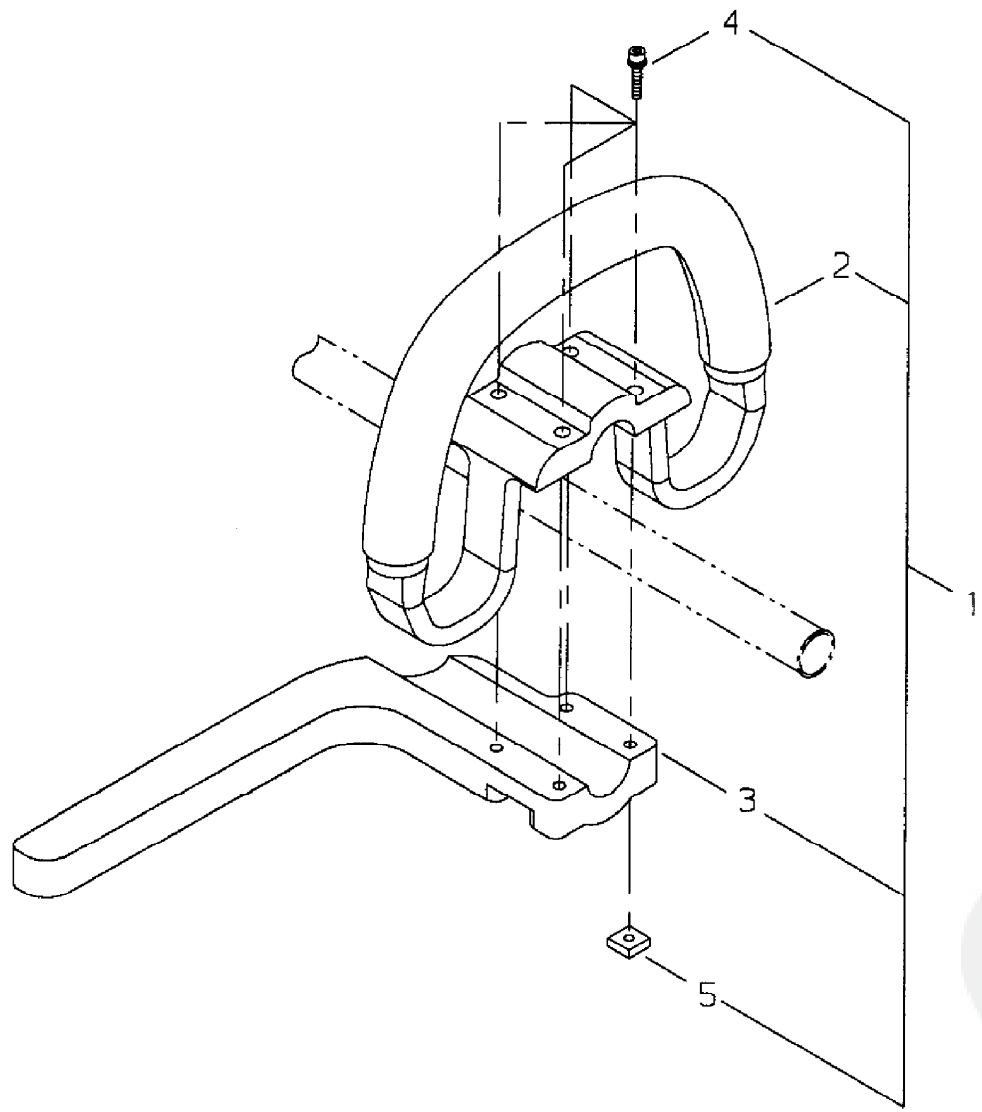
8- 1	72475-12100	OUTERPIPESUBASSY	1	
2	22460-12120	*BUSH	5	
3	63043-62140	GRIP	1	
4	63000-62311	PROTECTOR	1	
5	22009-12210	HANGER	1	
6	01020-05120	BOLT	1	
7	01600-05131	SPRINGWASHER	1	
8	01500-05041	NUT	1	
9	63000-62320	THROTTLELEVERASSY	1	
10	63000-62340	*BODYRIGHT	1	
11	63000-62350	*BODYLEFT	1	
12	63002-62340	*LEVER	1	
13	63901-62352	*LOCKLEVER	1	
14	63002-62350	*HOLDER	1	
15	63880-65350	*COILSPRING	1	
16	63901-62370	*COILSPRING	1	
17	63000-62360	*SWITCH	1	
18	63880-65360	*SCREWTAPPING	3	
19	11206-05201	*SCREWPMSPW	1	
20	01501-05030	*NUT	1	
21	63880-65411	*PLUG	1	
22	70871-65170	*BUTTON	1	
23	70871-65180	*COILSPRING	1	
24	70201-83140	TUBE	1	
25	72540-12410	MAINSHAFT	1	
26	19402-00236	LABELCAUTION	1	
27	19422-00010	LABELCAUTION	1	
28	19404-00039	LABELDECIBEL	1	
29	72017-12150	HANDLELABEL	1	



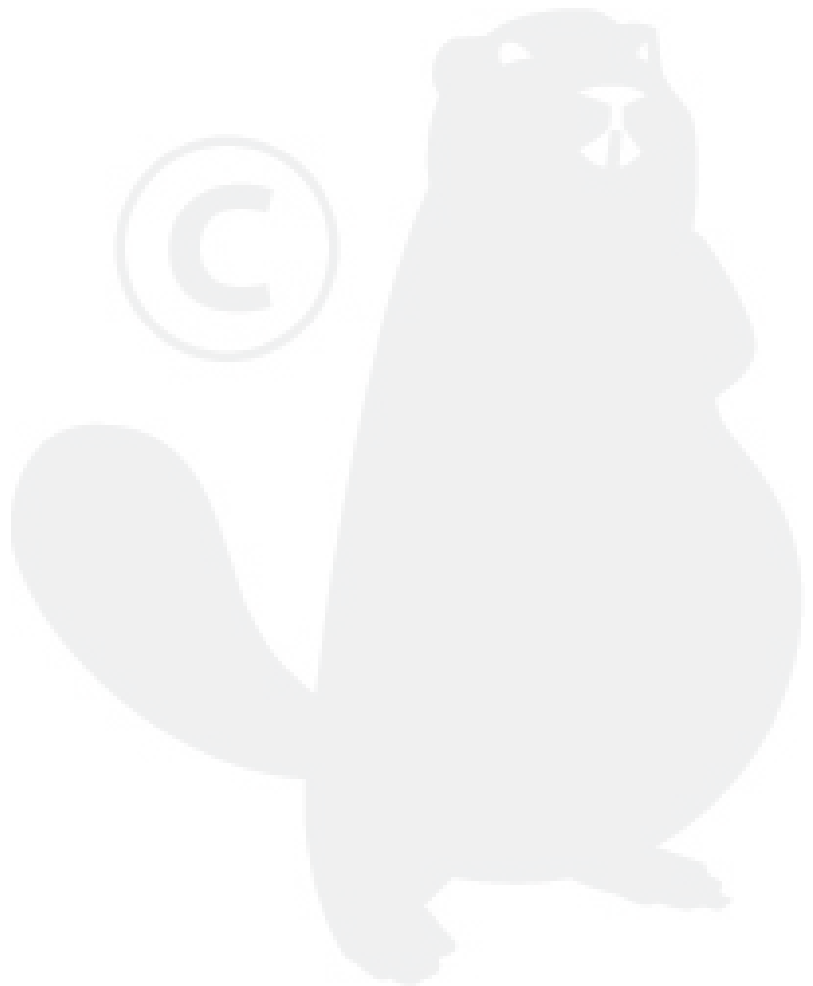


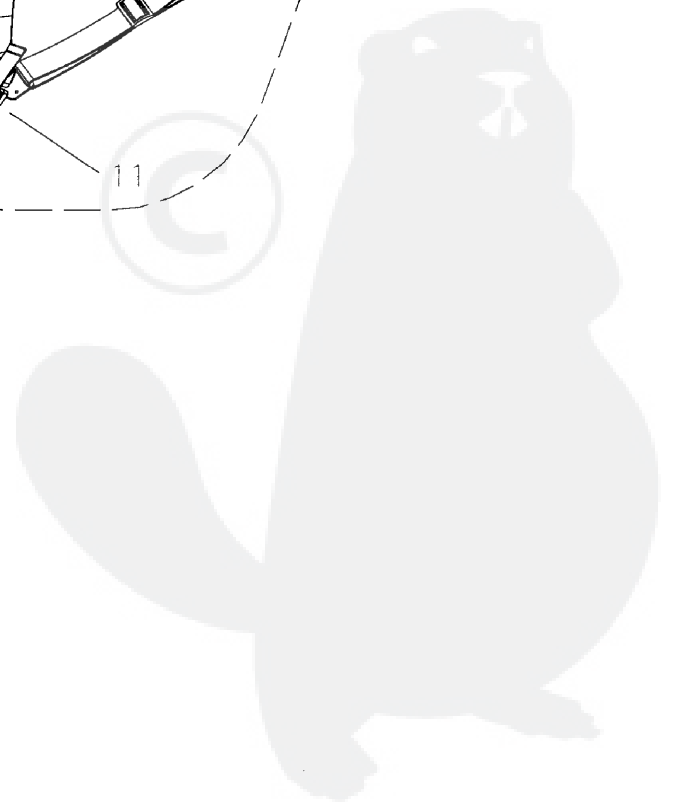
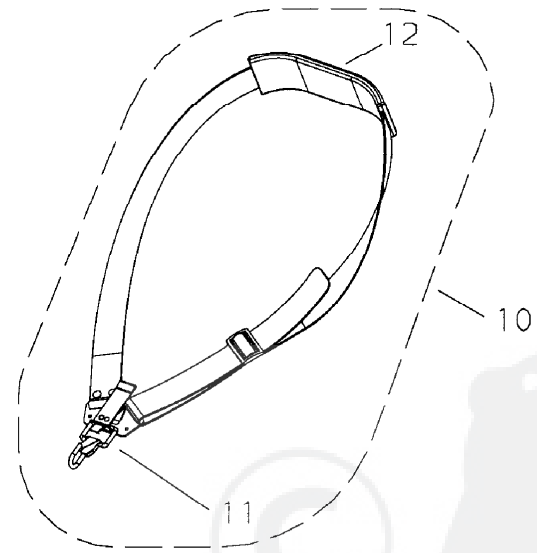
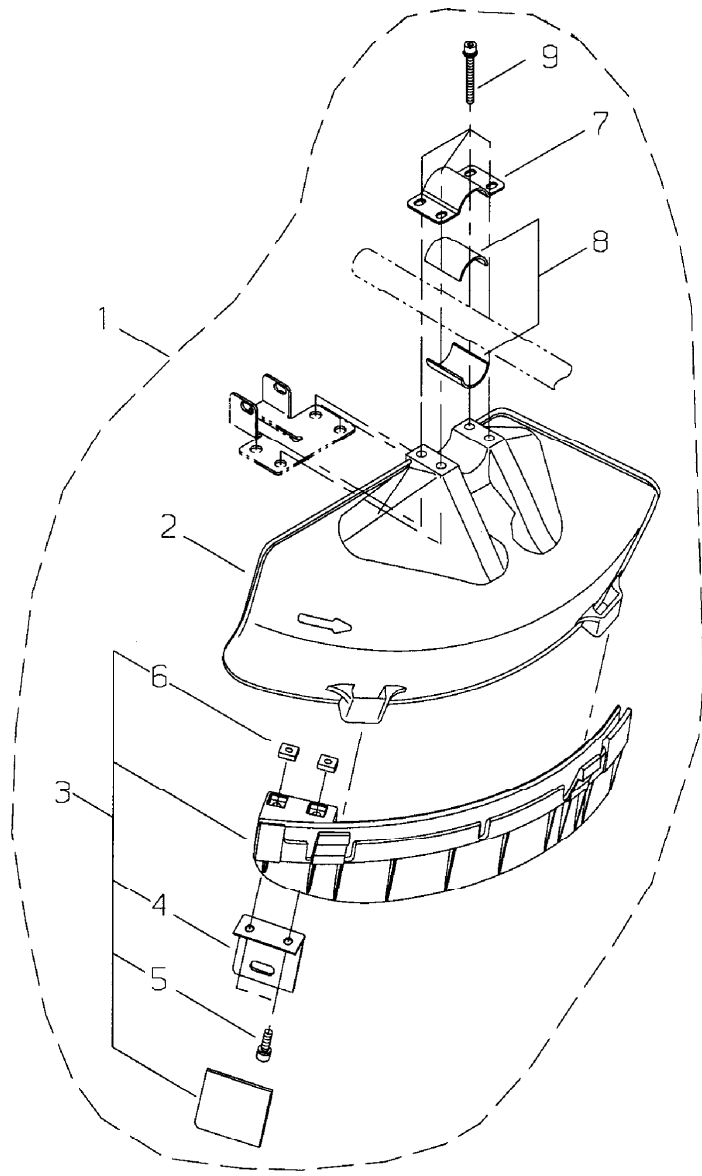
9- 1	72553-63020	GEARCASECOMP	1	
2	22044-13112	*GEARCASE	1	
3	02006-06000	*BEARING	1	
4	02000-06201	*BEARING	1	
5	22000-13120	*OILSEAL	1	
6	22000-13230	*COLLAR	1	
7	22000-13212	*GEARSHAFT	1	
8	22000-13220	*BEVELGEAR	1	
9	02432-32120	*SNAPRING	1	
10	22460-13391	*BEVELPINIONCOMP	1	
11	02000-06000	*BEARING	1	
12	02002-06000	*BEARING	1	
13	22000-13320	*SNAPRING	1	
14	02432-26120	*SNAPRING	1	
15	22015-13410	*BOLT	1	
16	22015-13420	*GASKET	1	
17	01020-05120	*BOLT	1	
18	01600-05131	*SPRINGWASHER	1	
19	01610-05080	*WASHER	1	
20	11022-06400	*BOLTSPW	1	
21	22011-13450	*SHIM	1	
22	72553-63160	HOLDER	1	
23	37019-63170	HOLDER	1	
24	22000-13290	BOLTGUARD	1	
25	22000-13512	BOLT	1	
26	22000-13530	SLIDEPIN	1	
27	72441-16130	LOWERCLAMP	1	
28	01500-06051	NUT	1	
29	01613-06100	WASHER	1	





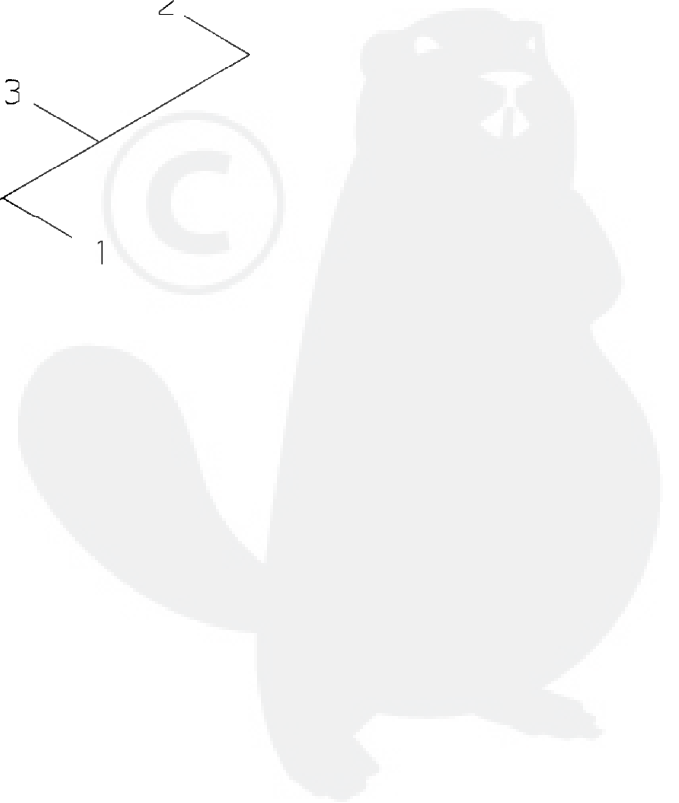
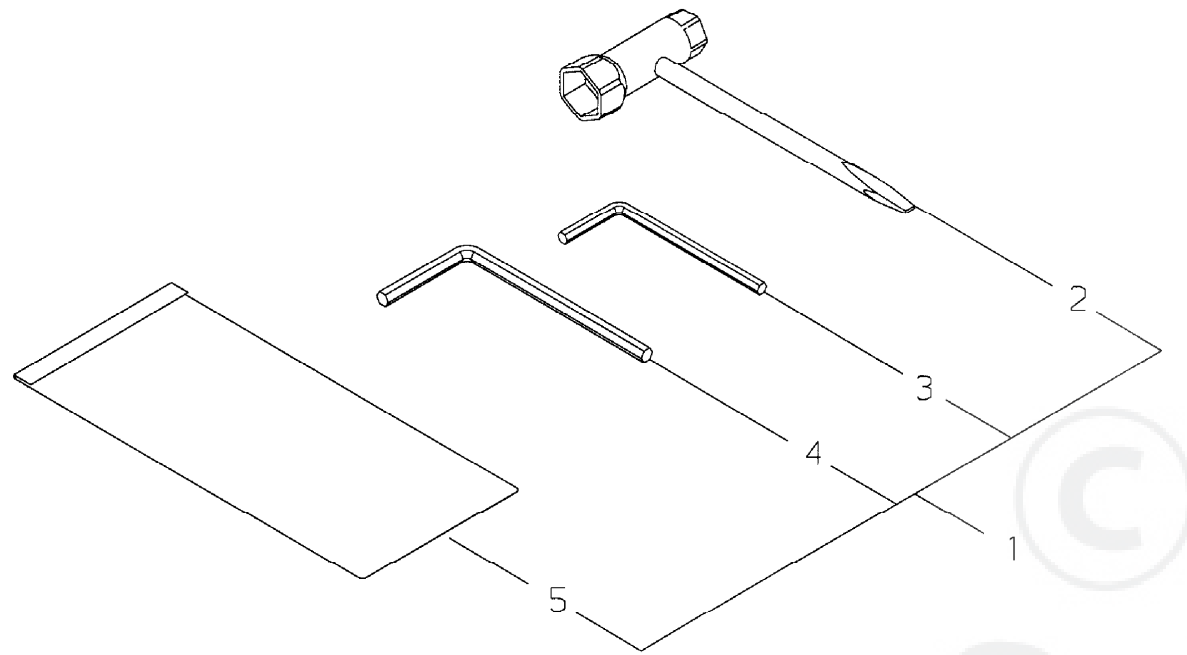
10- 1	60904-98310	HANDLEASSY	1	
2	62901-64113	*HANDLE	1	
3	65011-64120	*BARRIER	1	
4	11022-05350	*BOLTSPW	4	
5	22420-16120	*NUT	4	





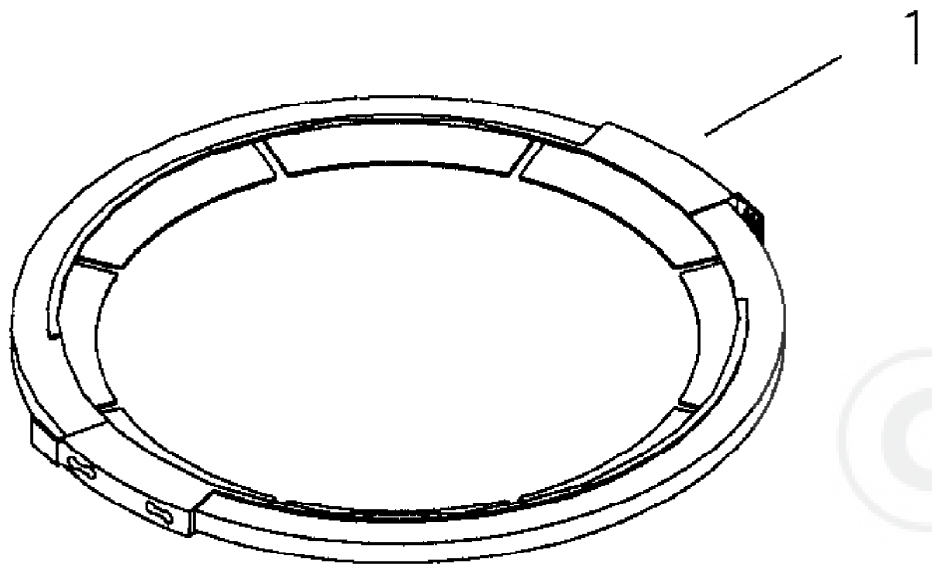
11- 1	64000-66310	GUARDSET	1	
2	62903-66110	*GUARD	1	
3	62903-66331	*SUBGUARDASSY	1	
4	72480-16121	**CUTTER	1	
5	11020-05160	**BOLTSW	2	
6	22420-16120	**NUT	2	
7	72480-16210	*UPPERCLAMP	1	
8	72441-16220	*SPACER	2	
9	11022-05450	*BOLTSPW	4	
10	22421-17202	STRAPASSY	1	
11	22421-17130	*HOOK	1	
12	22007-17220	*PROTECTOR	1	





12- 1	72547-92010	TOOLSET	1	
2	22000-91181	*PLUGWRENCH	1	
3	09026-04001	*HEXAWRENCH5MM	1	
4	09026-05001	*HEXAWRENCH6MM	1	
5	19639-01700	*TOOLBAG	1	





13- 1	22550-92310	BLADECOVER	1	
-------	-------------	------------	---	--

