

# shindaiwa

## PARTS PRICE LIST

T 2 3 0

SHIN-DAIWA KOGYO Co., LTD.

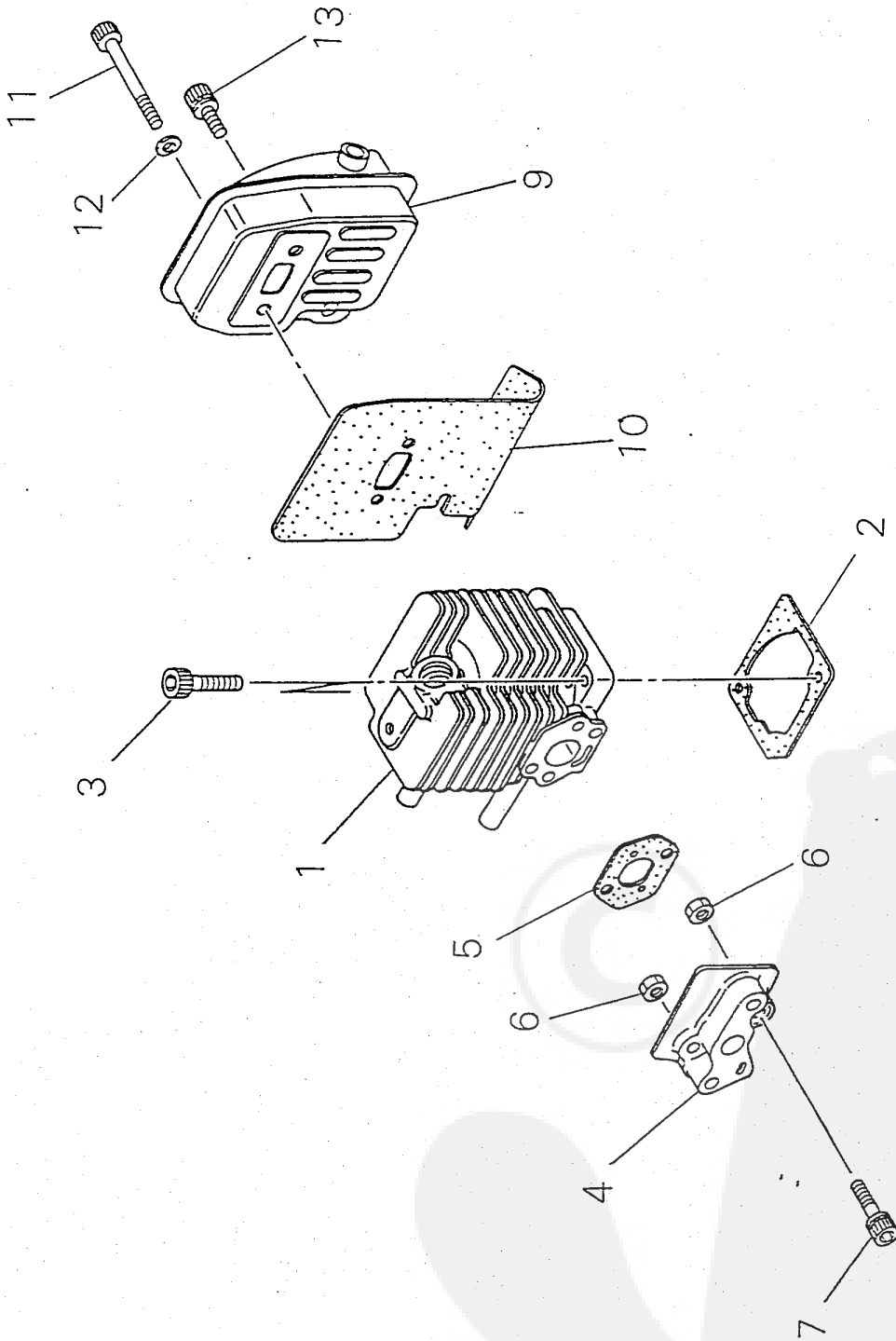
35, Ooaza Shin-Ujigami, Chiyoda-cho Yamagata-gun, Hiroshima, 731-15 Japan

Telephone (082672)6019 SDKHIR Fax (082672)7005

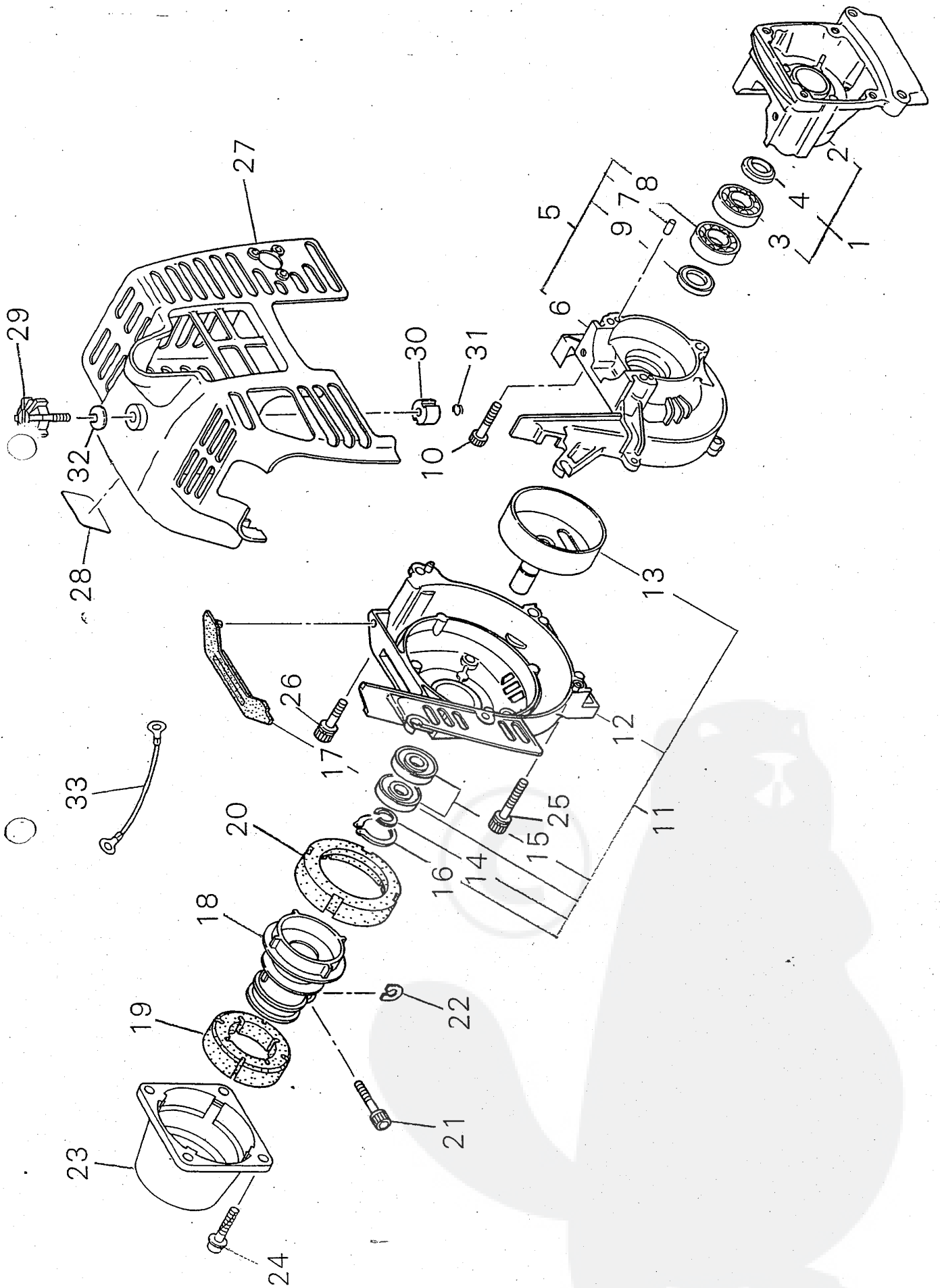
T230/CE

JUL. 30. 1998

Printed in Japan

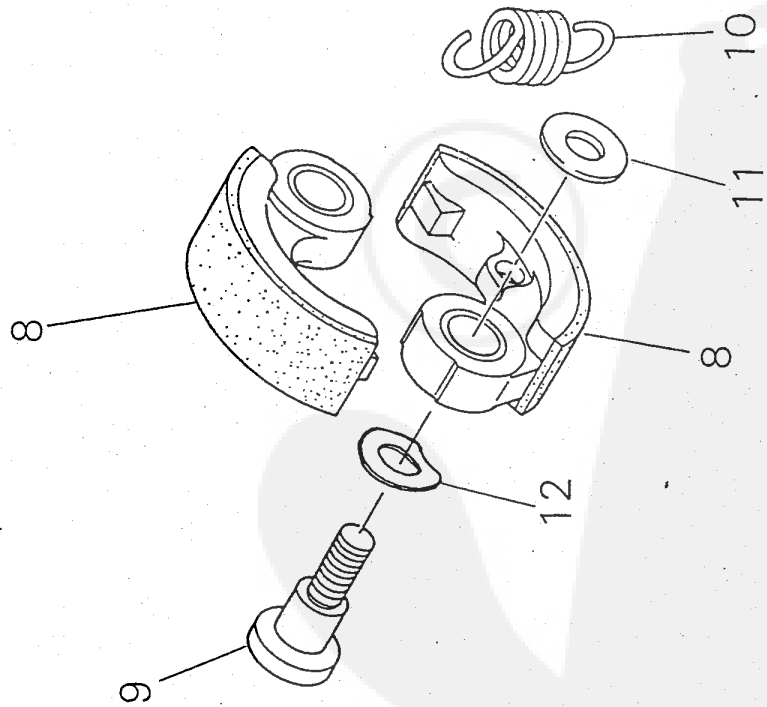
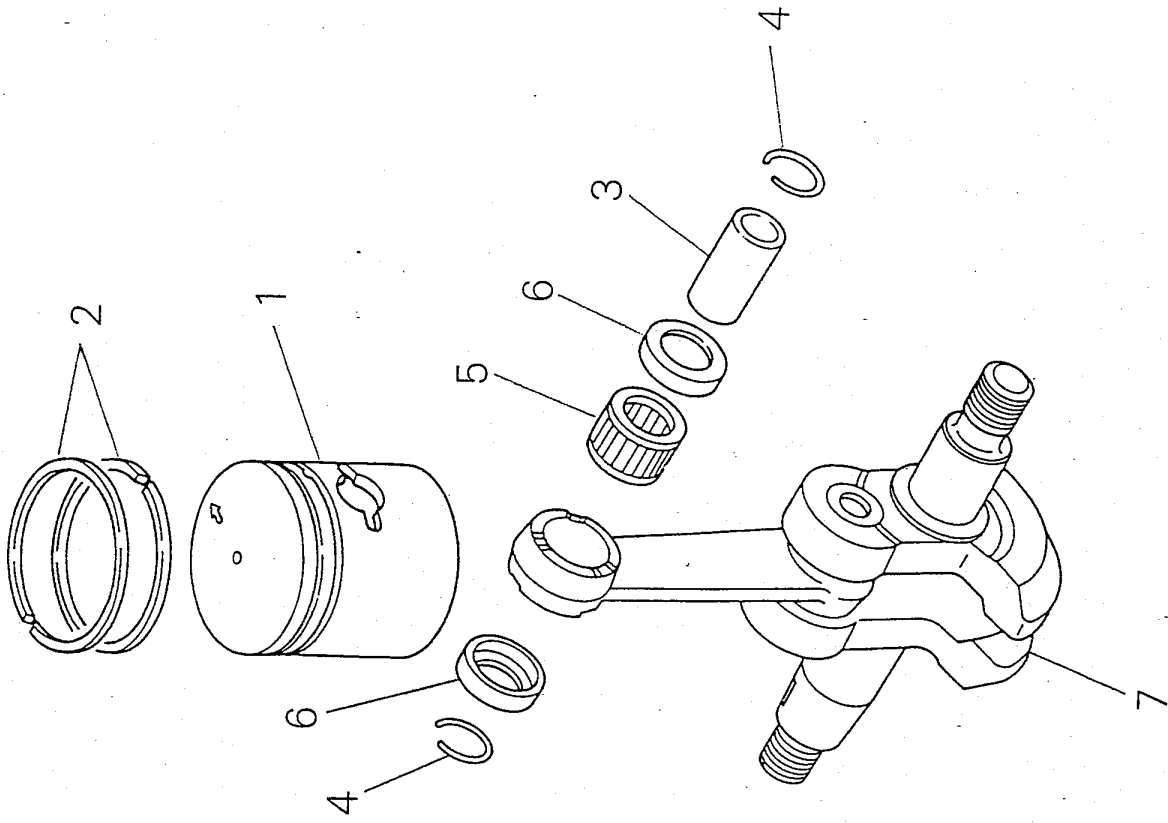






PRICE:(¥)

Ref. No	Part No.	Part Name	Q'ty	Unit Price	Remarks
2- 1	20016-21100	CRANK CASE S COMP	1	2,140	
2	20016-21111	• CRANK CASE S	1	1,440	
3	12900-60010	• BEARING	1	320	
4	22150-21250	• OIL SEAL	1	180	
5	20016-21200	CRANK CASE M COMP	1	2,780	
6	20016-21120	• CRANK CASE M	1	1,880	
7	12492-40080	• ROLLER	2	50	
8	12900-60010	• BEARING	1	320	
9	20000-21211	• OIL SEAL	1	270	
10	01020-05250	BOLT	3	40	
11	70140-31103	FAN COVER SUB ASSY	1	7,200	
12	70140-31113	• FAN COVER	1	5,600	
13	20087-31210	• CLUTCH DRUM	1	2,250	
14	22000-13320	• SNAP RING	1	40	
15	02002-06000	• BEARING	2	430	
16	02432-26120	• SNAP RING	1	40	
17	70140-31130	• CUSHION	1	100	
18	20018-31410	JOINT	1	1,450	
19	20018-31420	FRONT CUSHION	1	330	
20	20018-31430	REAR CUSHION	1	400	
21	11023-05250	BOLT SW	1	50	
22	20018-31460	SHIM	1	20	
23	70135-31470	CAP	1	600	
24	11022-05160	BOLT SPW	4	50	
25	11022-05350	BOLT SPW	2	60	
26	11022-05160	BOLT SPW	2	50	
27	70140-32111	CYLINDER COVER	1	3,200	
28	70192-32120	LABEL TRADE	1	100	
29	20018-31251	KNOB	1	180	
30	20018-31260	INSULATOR	1	100	
31	20018-31270	CLIP	1	20	
32	20024-81790	CONE WASHER	1	30	
33	70192-31510	EARTH CORD	1	50	

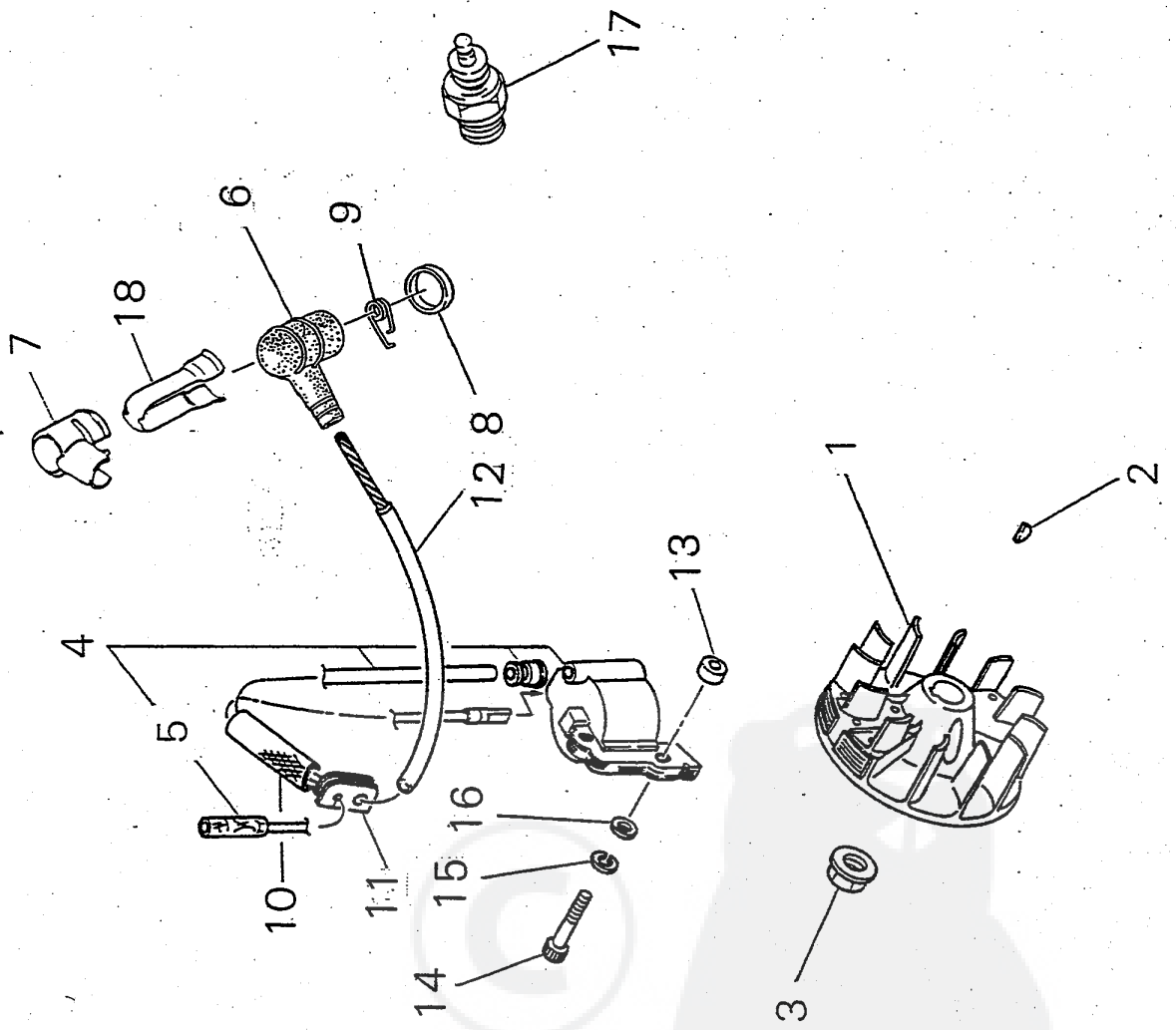


PRICE:(¥)

Ref. No	Part No.	Part Name	Q' ty	Unit Price	Remarks
3-	1 20075-41110	PISTON	1	2,000	
	2 20000-41210	PISTON RING	2	360	
	3 20016-41310	PISTON PIN	1	270	
	4 70030-41320	SNAP RING	2	20	
	5 20016-41330	NEEDLE BEARING	1	740	
	6 20016-41340	THRUST WASHER	2	60	
	7 20016-42002	CRANK SHAFT ASSY	1	8,560	
	70140-51102	CLUTCH SHOE ASSY	1	2,620	
8	70140-51111	• CLUTCH SHOE	2	970	
9	20087-51210	• BOLT	2	140	
10	70140-51220	• CLUTCH SPRING	1	150	
11	22100-71430	• WASHER	2	30	
12	70140-51230	• SPRING PLATE	2	50	

PARTS LIST  
 SHINDAIWA  
 (LI38 LIA0380P)

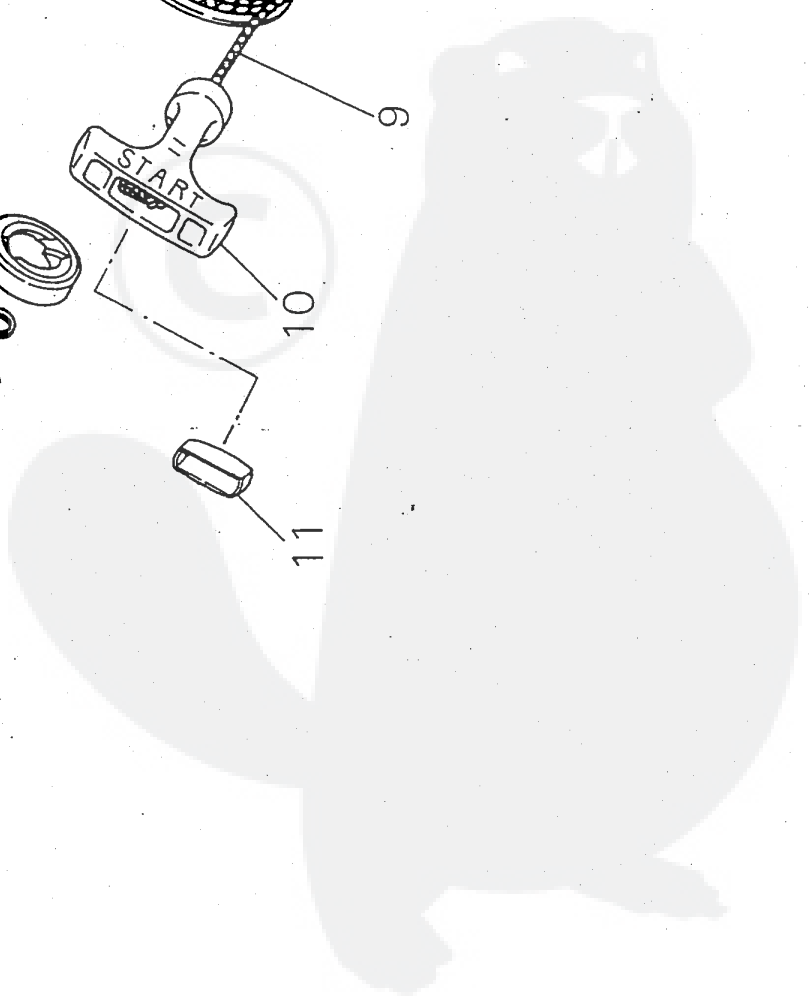
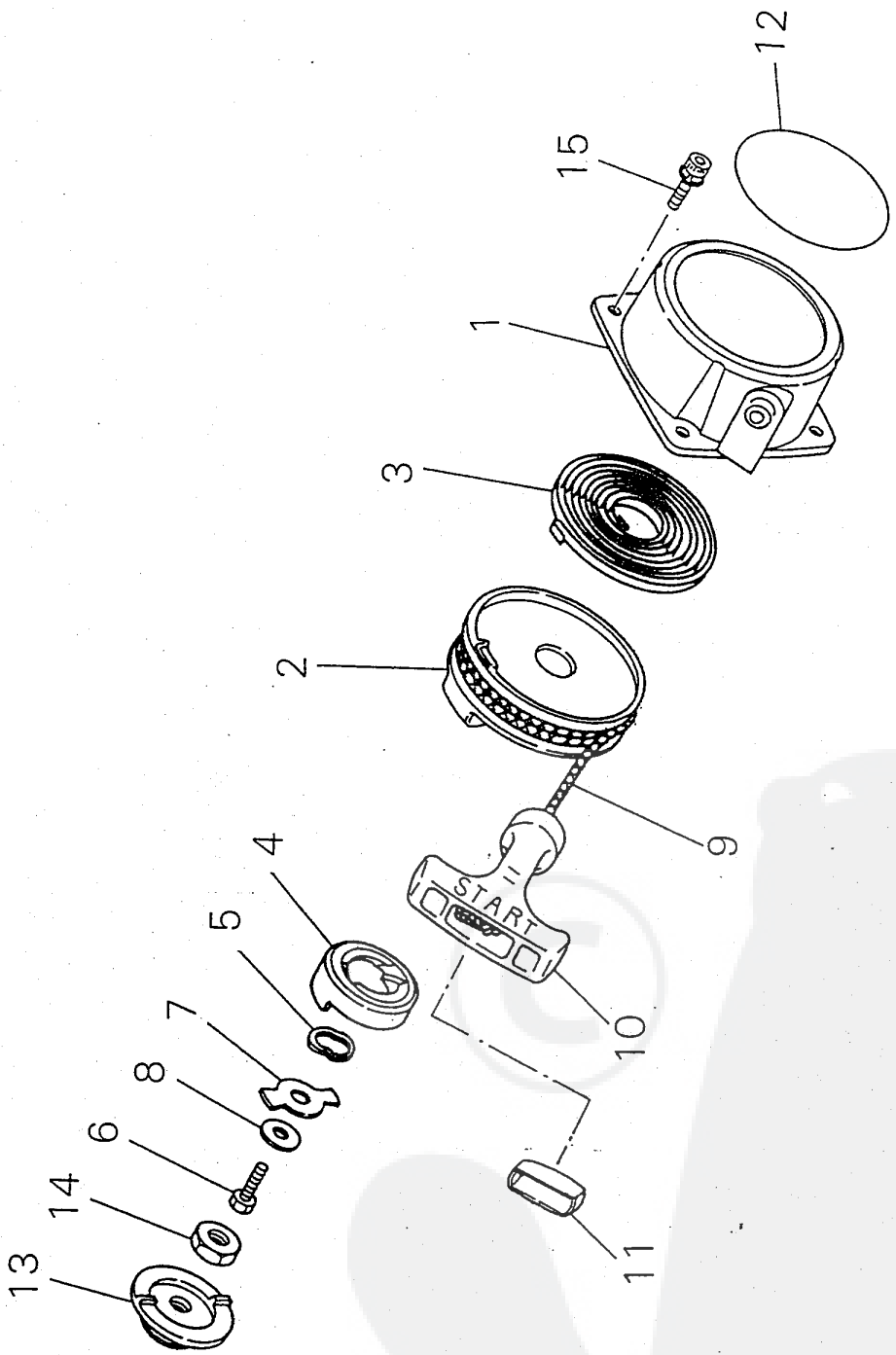
T230/CE



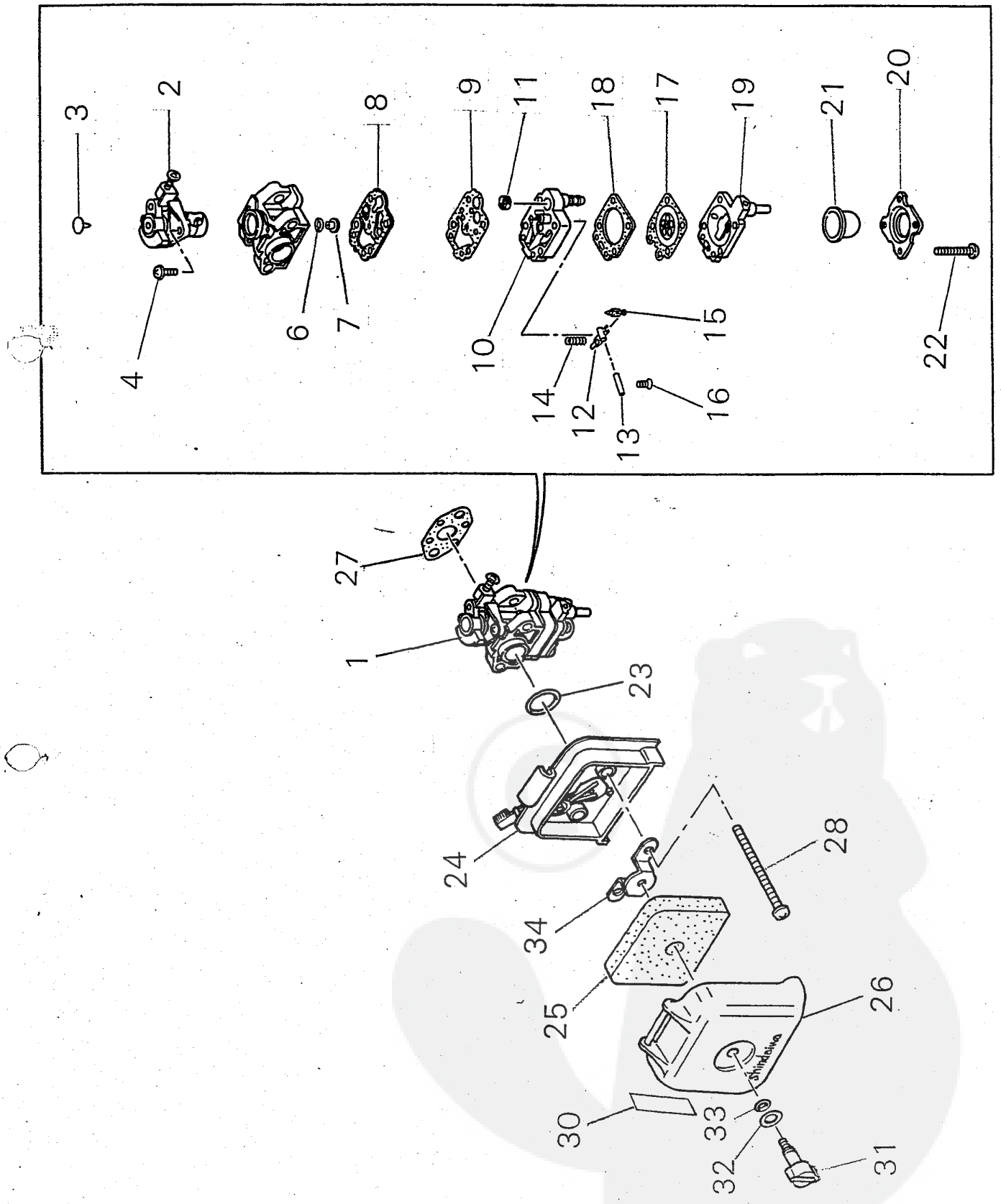


PRICE:(¥)

Ref. No	Part No.	Part Name	Q'ty	Unit Price	Remarks
4-	1 20016-71200	ROTOR	1	2,660	
	2 02403-03100	KEY	1	60	
	3 20035-71220	NUT	1	40	
	4 20016-71600	COIL ASSY	1	4,130	
	5 20016-71640	CORD	1	250	
	6 20010-72221	PLUG CAP	1	320	
	7 20000-72241	PLUG CAP COVER	1	90	
	8 20000-72250	COVER BAND	1	50	
	18 70180-72260	SHIELD	1	480	
	9 20000-72230	SPRING SPARK PLUG	1	110	
	10 20016-71651	TUBE	1	40	
	11 20010-72110	GROMMET	1	70	
	12 20016-71660	TUBE	1	80	
	13 70030-71620	INSULATOR	2	90	
	14 01020-04260	BOLT	2	30	
	15 01600-04101	SPRING WASHER	2	10	
	16 01613-04080	WASHER	2	10	
	17 13000-13406	SPARK PLUG BMR6A	1	500	





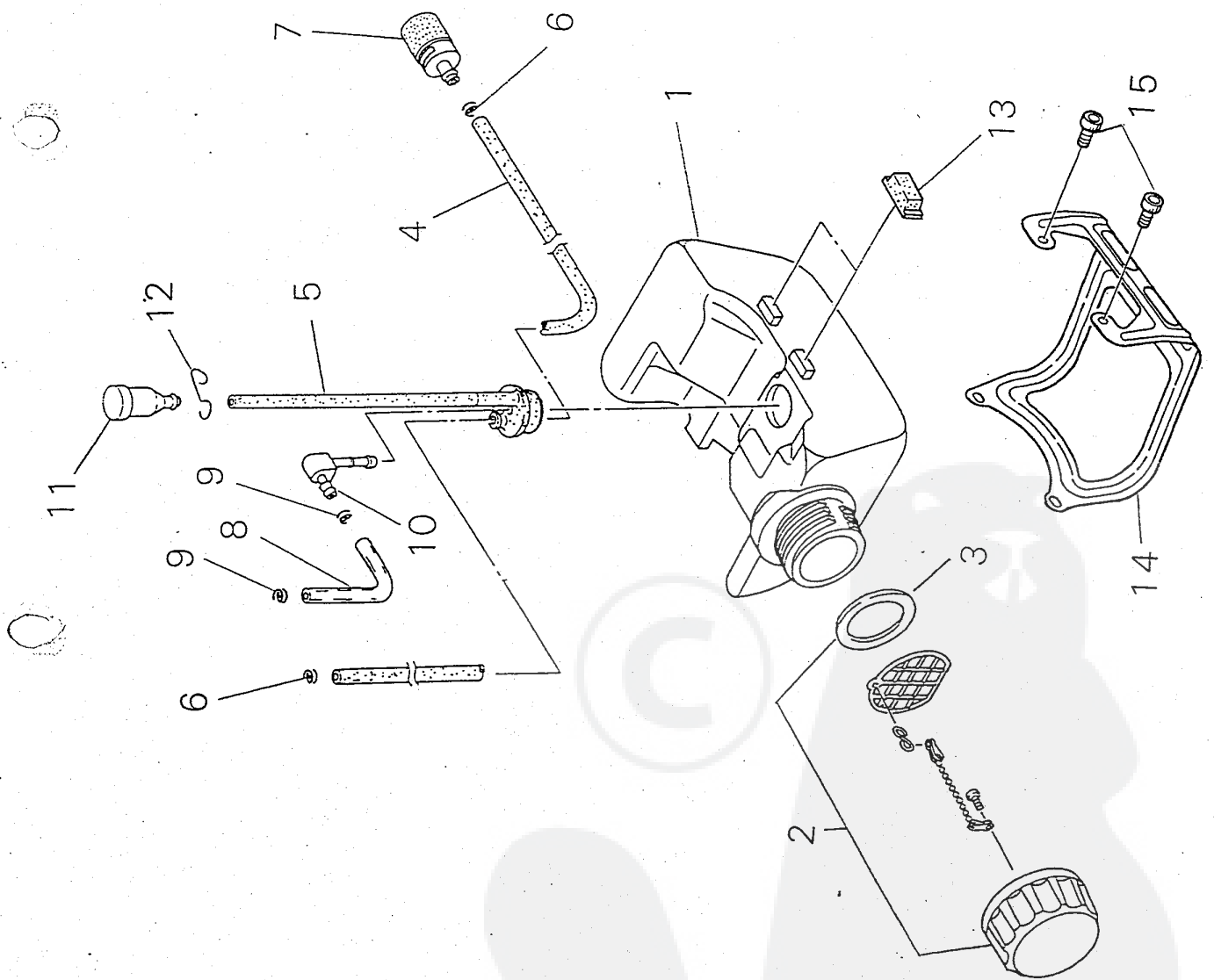


PRICE:(¥)

Ref. No	Part No.	Part Name	Qty	Unit Price	Remarks
6-	1 20016-81021	CARBURETOR BODY ASSY	1	8,330	
	2 20016-81180	• VALVE ASSY	1	1,680	
	3 22154-81270	• PLUG	1	60	
	4 70064-81290	• SCREW	2	70	
	6 70097-81220	• O RING	1	110	
	7 70064-81230	• MAIN JET	1	280	
	8 70097-81310	• GASKET PUMP	1	260	
	9 70097-81320	• DIAPHRAGM	1	370	
	10 20016-81410	• PUMP BODY COMP	1	3,300	
	11 70030-81380	•• SCREEN	1	110	
	12 22100-81230	•• LEVER	1	220	
	13 22100-81250	•• PIN	1	120	
	14 20016-81270	•• SPRING	1	160	
	15 20036-81440	•• NEEDLE VALVE	1	660	
	16 20016-81450	•• SCREW	1	160	
	17 22100-81260	• DIAPHRAGM ASSY	1	980	
	18 20016-81280	• GASKET	1	300	
	19 20016-81420	• PUMP BASE COMP	1	1,200	
	20 20016-81510	• PUMP COVER	1	300	
	21 70029-81480	• PRIMING PUMP	1	600	
	22 20016-81140	• SCREW	4	120	
	23 20016-81250	O RING	1	120	
	24 70140-81710	CLEANER BODY COMP	1	600	
	25 20018-81750	FILTER	1	220	
	26 70140-81760	CLEANER COVER	1	330	
	31 20115-81780	KNOB CLEANER COVER	1	200	
	32 22100-82430	O RING	1	40	
	33 20024-81790	CONE WASHER	1	30	
	34 20018-81721	BACK PLATE	1	350	
	27 20016-81530	GASKET	1	50	
	28 70140-81810	SCREW PM M5X67	2	30	
	30 19404-00008	LABEL CHOKE	1	80	
	20016-81910	GASKET KIT	1	600	
	8 70097-81310	• GASKET PUMP	1	260	
	18 20016-81280	• GASKET	1	300	
	70097-81920	DIAPHRAGM KIT	1	1,670	
	9 70097-81320	• DIAPHRAGM	1	370	
	17 22100-81260	• DIAPHRAGM ASSY	1	980	

PARTS LIST  
SHINDAIWA  
(LI38 LIA0380P)

T230/CE

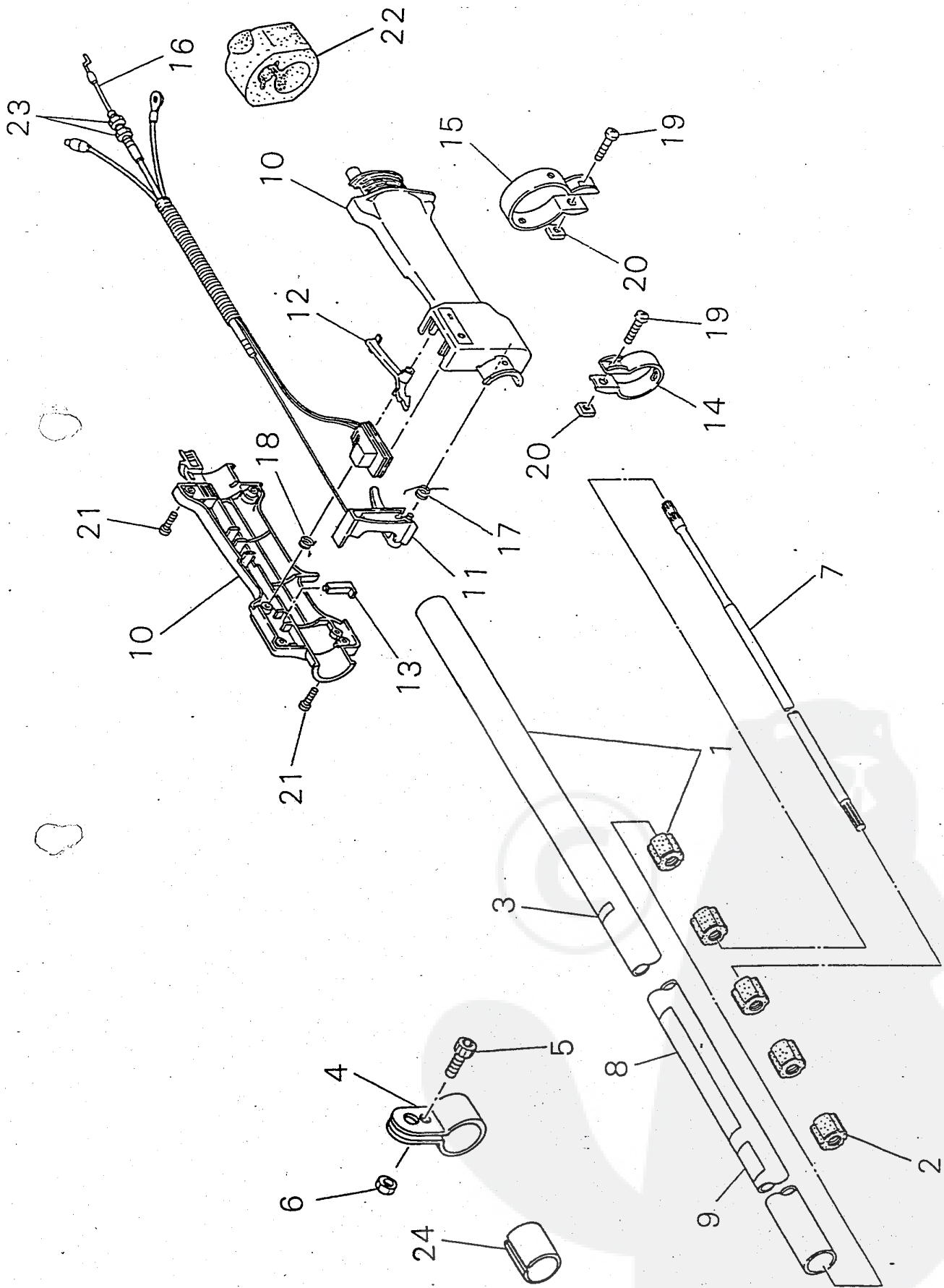


PRICE:(¥)

Ref. No	Part No.	Part Name	Q'ty	Unit Price	Remarks
7- 1	20016-85112	FUEL TANK	1	1,800	
2	70168-85201	FUEL CAP ASSY	1	210	
3	20000-85221	GASKET	1	60	
4	70064-85311	FUEL PIPE	1	120	
5	20089-85350	GROMMET	1	470	
6	20020-85540	CLIP	2	30	
7	20016-85400	FUEL FILTER	1	550	
8	20089-83310	PIPE	2	40	
9	20020-85440	CLIP	2	40	
10	20087-85340	JOINT	1	250	
11	20035-85522	VALVE	1	620	
12	20016-12310	VALVE HOLDER	1	50	
13	20024-86120	TANK CUSHION	4	100	
14	70135-86130	TANK GUARD	1	1,400	
15	11022-05120	BOLT SPW	2	40	

PARTS LIST  
 SHINDAIWA  
 (L138 LIA0380P)

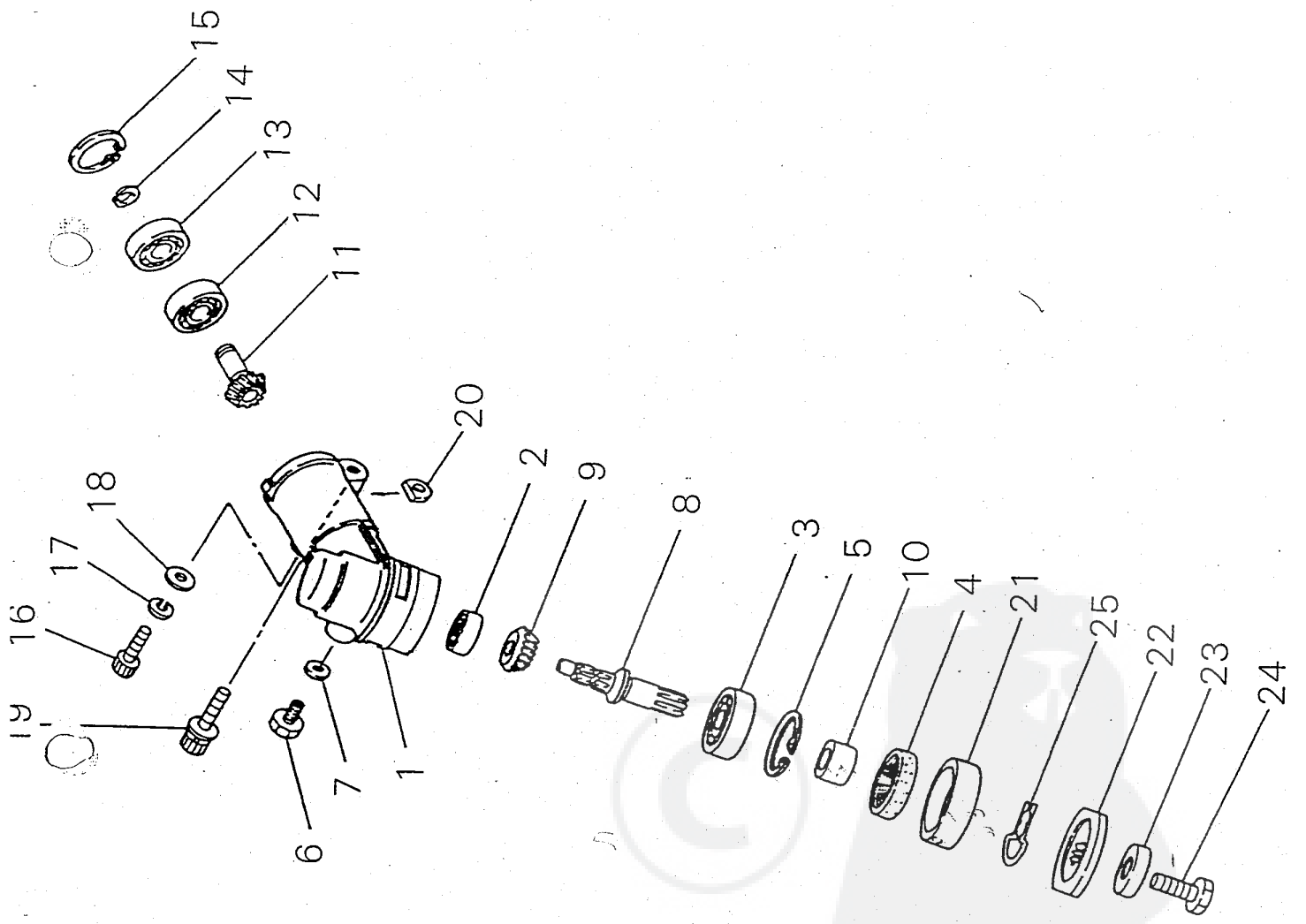
T230/CE





PRICE:(¥)

Ref. No	Part No.	Part Name	Q'ty	Unit Price	Remarks	
8-	1 72432-12100	OUTER PIPE COMP	1	6,100		
	2 22035-12120	• BUSH	5	370		
	3 72017-12150	HANDLE LABEL	1	50		
	4 22410-12210	HANGER	1	170		
	5 01020-05120	BOLT	1	30		
	6 01500-05041	NUT	1	10		
	7 22070-12410	MAIN SHAFT	1	2,350		
	8 19422-00010	LABEL CAUTION	1	800		
	9 19402-00084	LABEL CAUTION	1	100		
		72510-12702	THROTTLE LEVER ASSY	1	6,500	
10	72511-12800	• BODY SUB ASSY	1	2,000		
11	72430-12730	• LEVER	1	450		
12	72430-12740	• LOCK LEVER	1	270		
13	72451-14550	• BUTTON	1	180		
14	72451-14560	• CLAMP	1	160		
15	72430-12750	• CLAMP	1	180		
16	72510-12762	• THROTTLE CABLE COMP	1	3,600		
17	72451-14580	• RETURN SPRING	1	90		
18	72451-14590	• SPRING	1	130		
19	11203-06200	• SCREW	2	90		
20	72451-14610	• NUT	2	20		
21	72451-14620	• SCREW TAPPING	4	20		
22	72511-12190	HOLDER	1	500		
23	01501-06041	NUT	2	10		
24	22036-14130	SPACER	1	200		

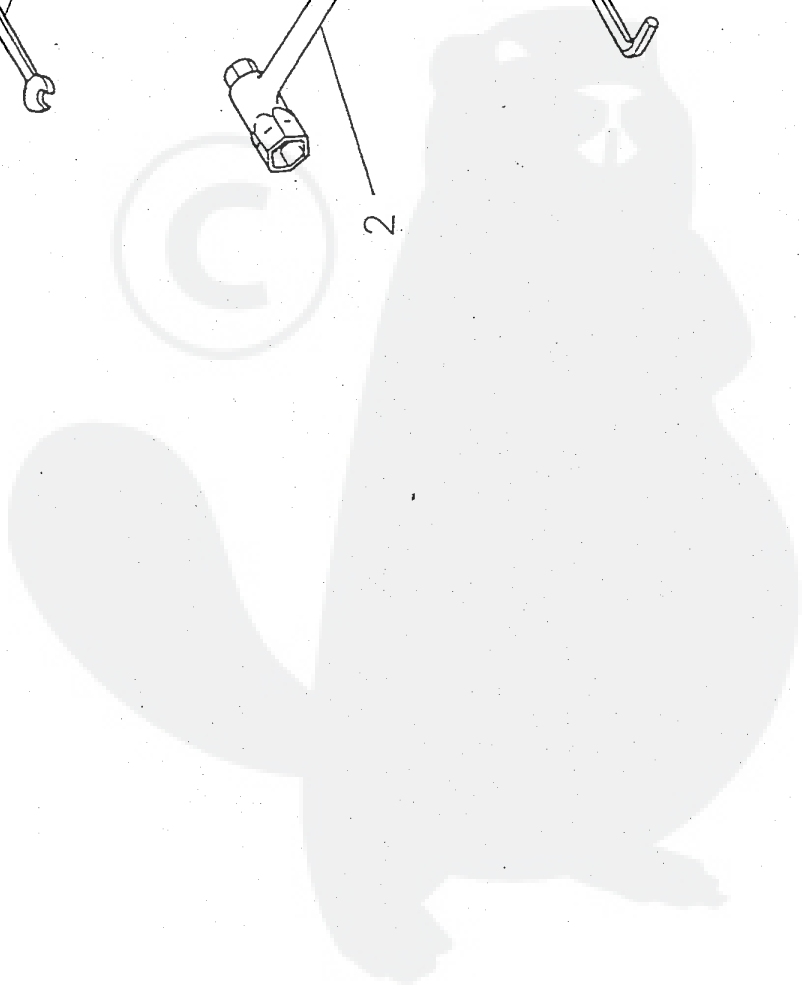
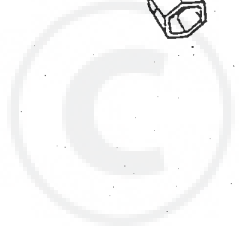
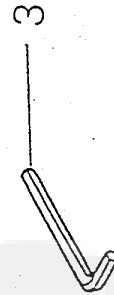
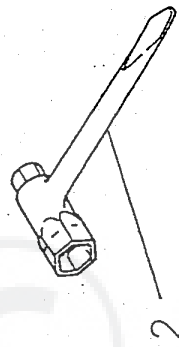
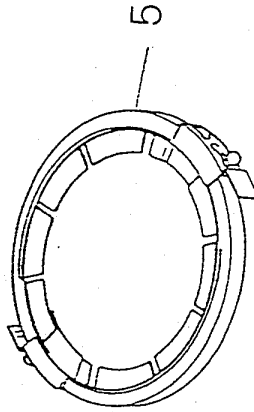
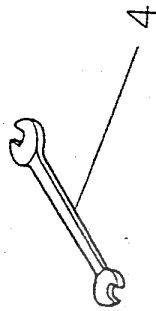
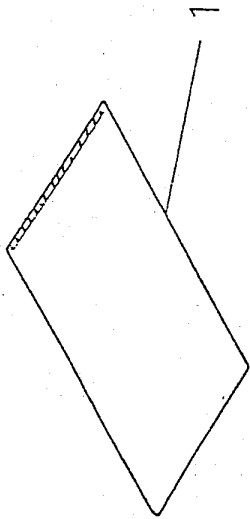


PRICE:(¥)

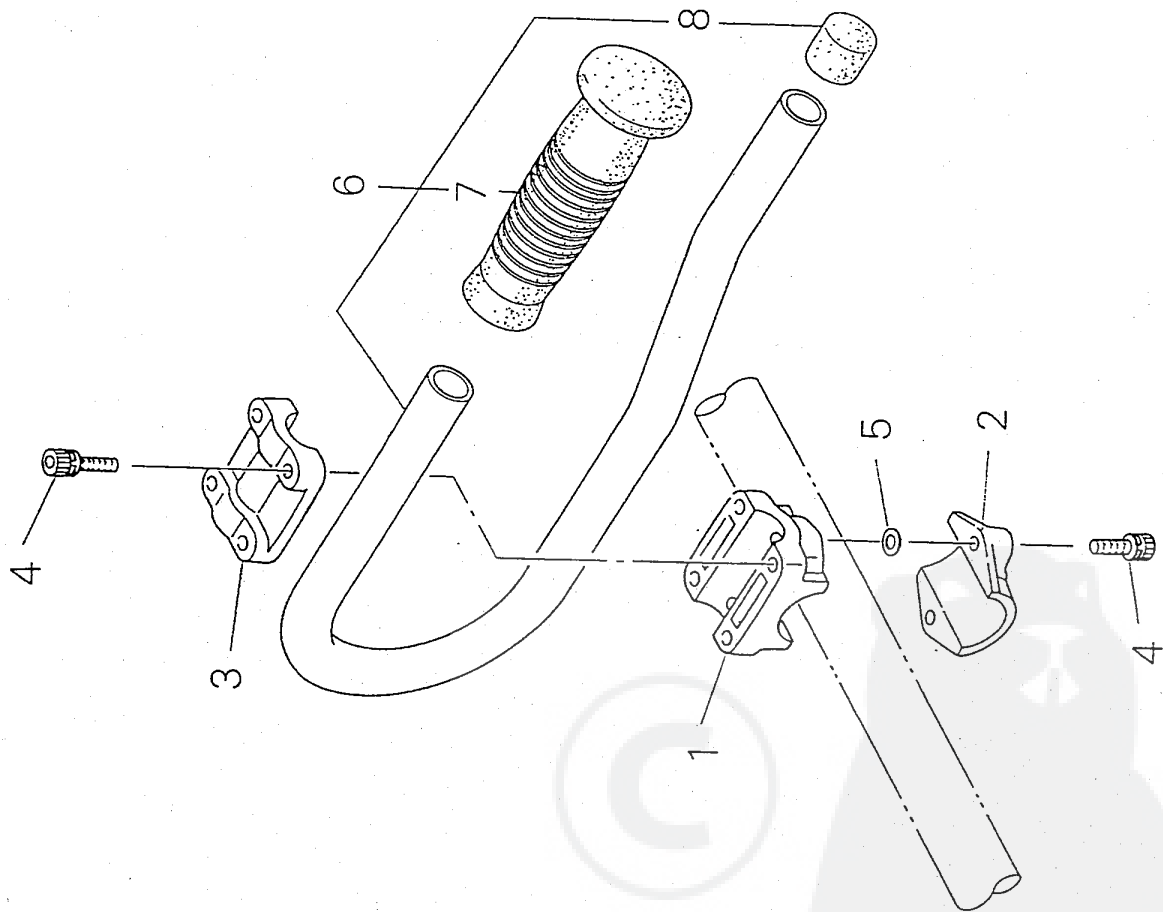
Ref. No	Part No.	Part Name	Q'ty	Unit Price	Remarks
9-	22410-13011	GEAR CASE SUB ASSY	1	11,800	
1	22035-13112	• GEAR CASE	1	3,100	
2	02006-00626	• BEARING	1	440	
3	02000-06000	• BEARING	1	320	
4	22035-13140	• OIL SEAL	1	290	
5	02432-26120	• SNAP RING	1	40	
6	01014-06100	• BOLT	1	20	
7	22000-13410	• GASKET	1	30	
8	22410-13210	• GEAR SHAFT	1	1,920	
9	22035-13220	• BEVEL GEAR	1	1,820	
10	22035-13230	• COLLAR	1	240	
11	22035-13391	• PINION SET	1	2,570	
12	02000-00608	• BEARING	1	300	
13	02002-00608	• BEARING	1	390	
14	22035-13340	• SNAP RING	1	30	
15	02432-22100	• SNAP RING	1	40	
16	01020-05120	• BOLT	1	30	
17	01600-05131	• SPRING WASHER	1	10	
18	01610-05080	• WASHER	1	10	
19	11023-05250	• BOLT SW	1	50	
20	22000-13420	• SHIM	1	20	
21	22035-13242	HOLDER A	1	1,040	
22	22410-13251	HOLDER B	1	890	
23	22035-13290	BOLT GUARD	1	160	
24	22035-13271	BOLT	1	130	
25	22410-13530	SLIDE CLIP	1	130	

PARTS LIST  
SHINDAIWA  
(LI38 LIA0380P)

T230/CE

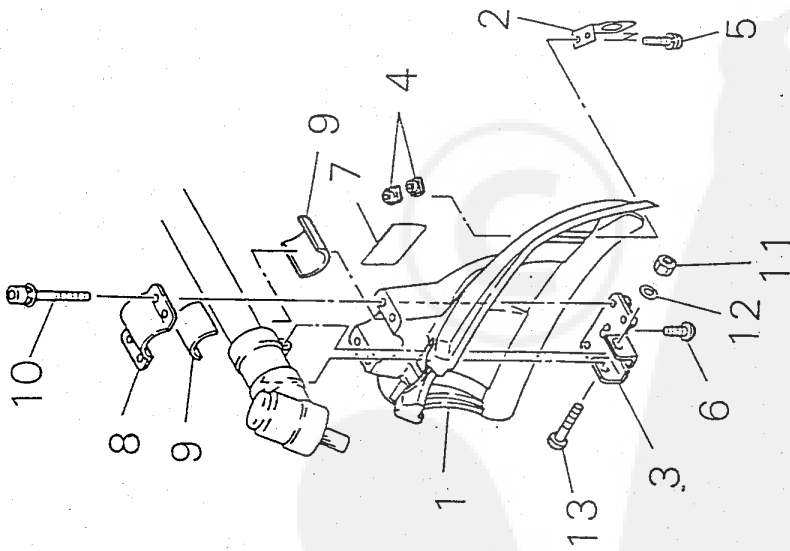
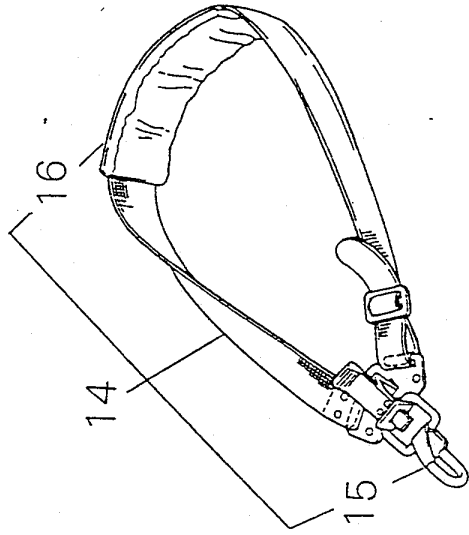






PRICE:(¥)

Ref. No	Part No.	Part Name	Q'ty	Unit Price	Remarks
11-	72091-14100	BRACKET SUB ASSY	1	2,050	
1	72051-14110	• HANDLE BRACKET	1	750	
2	72051-14120	• LOWER CAP	1	430	
3	72051-14131	• UPPER CAP	1	490	
4	11022-05250	• BOLT SPW	6	50	
5	01610-05080	• WASHER	1	10	
6	72430-14200	HANDLE SUB ASSY	1	1,500	
7	22421-14230	• GRIP	1	630	
8	72430-14270	• CAP	1	80	





PRICE: (¥)

Ref. No	Part No.	Part Name	Q'ty	Unit Price	Remarks
12-	1 72480-16112	GUARD	1	350	
	2 72480-16121	CUTTER	1	400	
	3 72480-16130	LOWER CLAMP	1	170	
	4 22420-16120	NUT	2	20	
	5 11020-05160	BOLT SW	2	50	
	6 11202-04100	SCREW HILO	1	30	
	7 19405-00009	LABEL ARROW	1	100	
	8 72480-16210	UPPER CLAMP	1	60	
	9 72480-16220	SPACER	2	50	
	10 11022-05500	BOLT SPW	4	100	
	11 01500-05041	NUT	1	10	
	12 01613-05080	WASHER	1	10	
	13 11022-05350	BOLT SPW	1	60	
	14 22421-17202	STRAP ASSY	1	2,520	
	15 22020-17130	• HOOK	1	510	
	16 22007-17220	• PROTECTOR	1	310	