

shindaiwa

PARTS PRICE LIST

C 3 5 0

SHIN-DAIWA KOGYO Co., LTD.

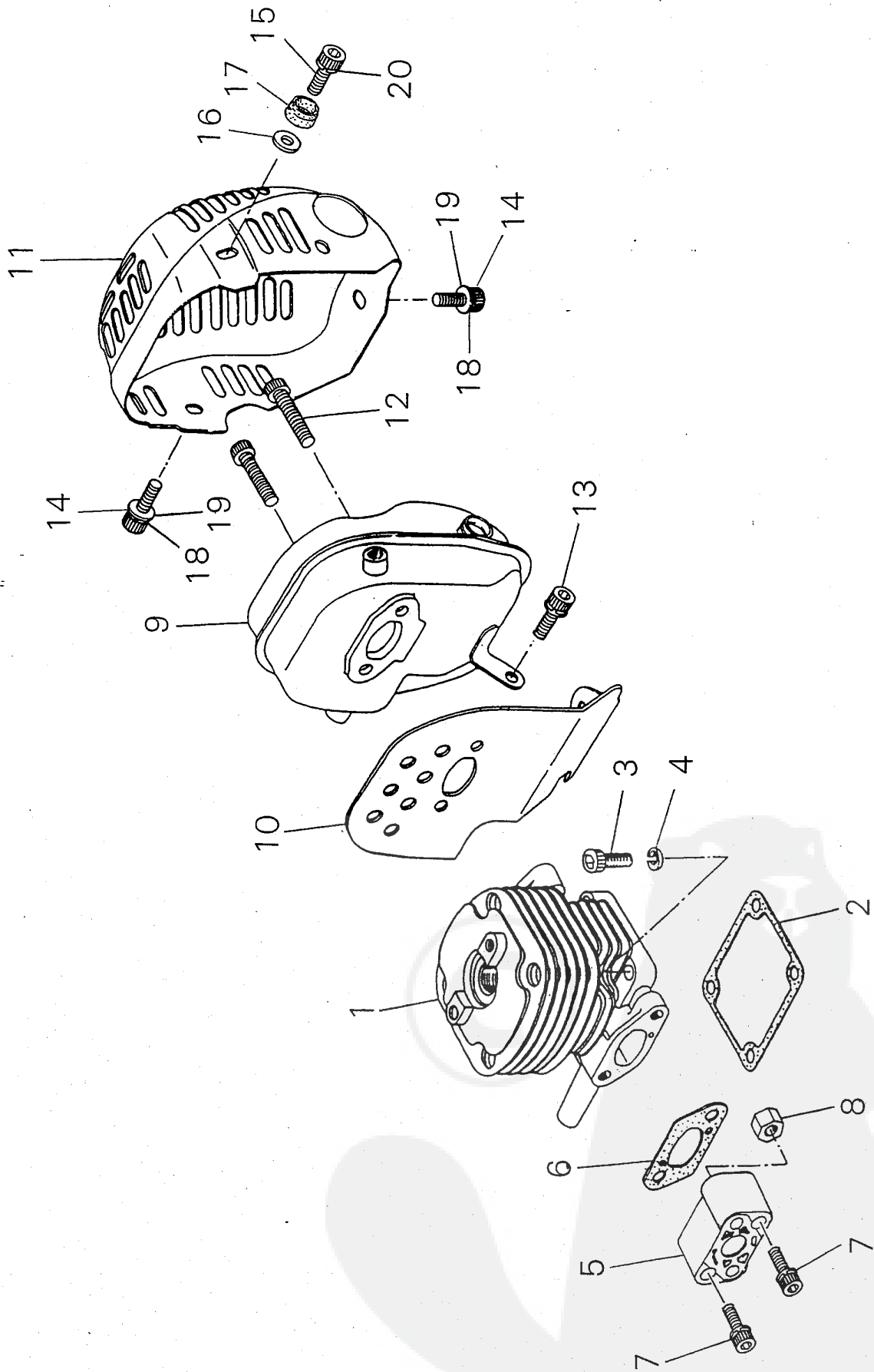
35, Ooaza Shin-Ujigami, Chiyoda-cho Yamagata-gun, Hiroshima, 731-1597 Japan

Telephone (0826) 72-6019 SDKHIR Fax (0826) 72-7005

C350/CE

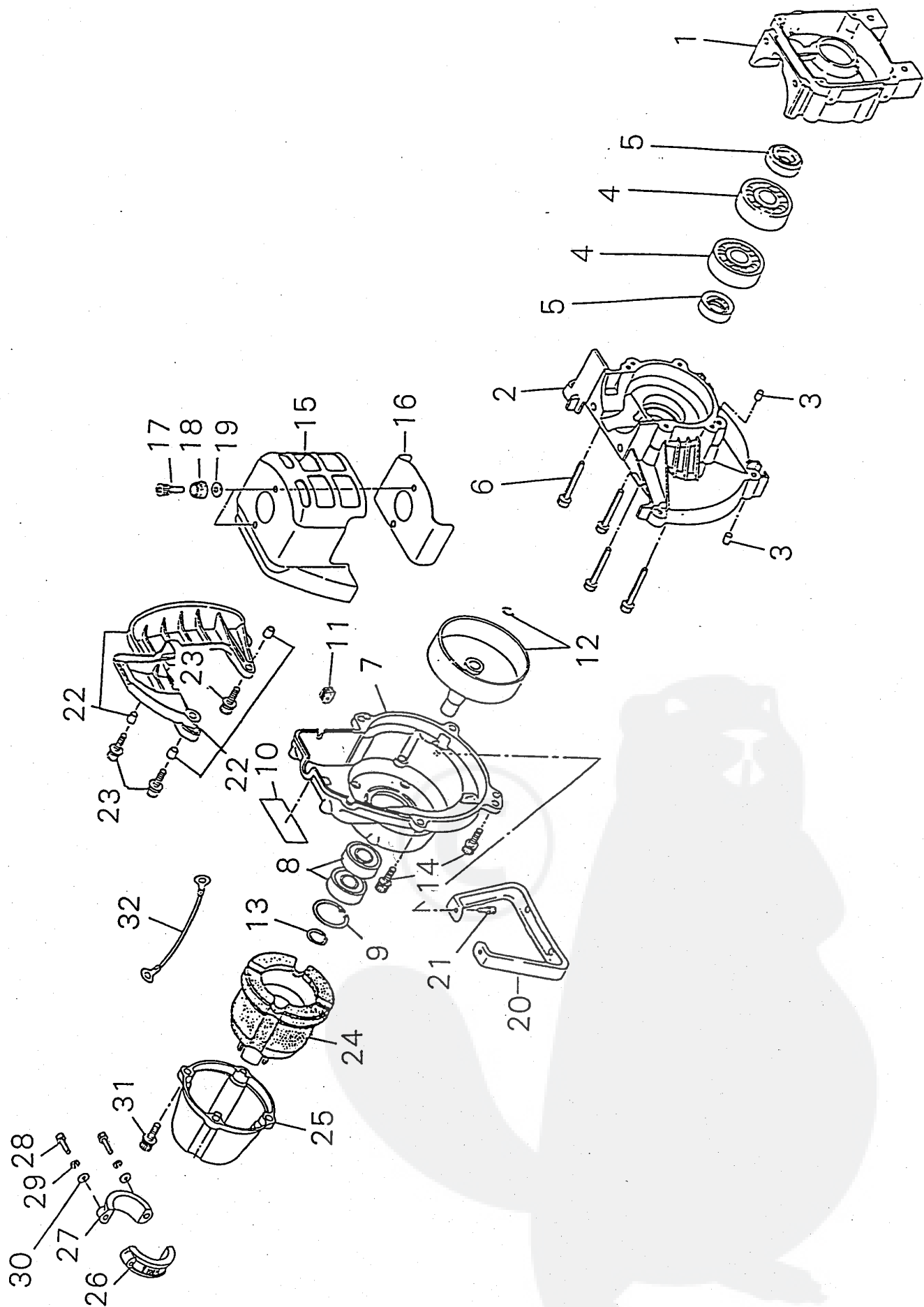
AUG. 7. 1998

Printed in Japan



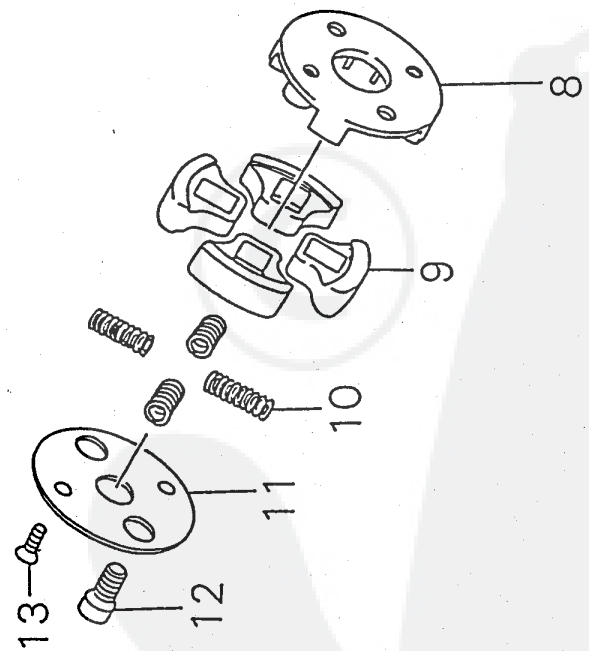
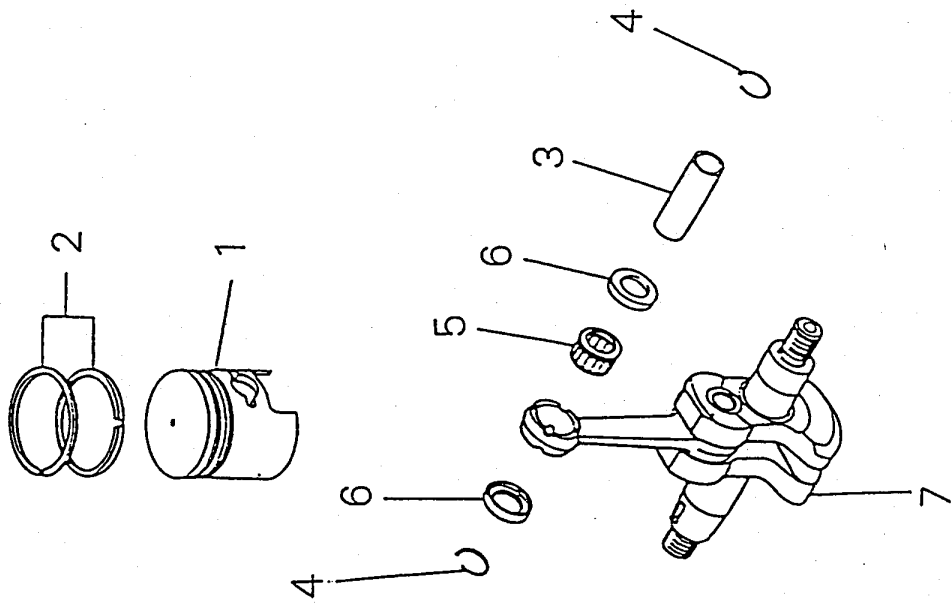
PRICE:(¥)

Ref. No	Part No.	Part Name	Q'ty	Unit Price	Remarks
1- 1	70196-12110	CYLINDER	1	8,100	
2	20010-12120	GASKET CYLINDER	1	70	
3	01020-05250	BOLT	4	40	
4	01600-05131	SPRING WASHER	4	10	
5	20060-12210	INSULATOR	1	940	
6	20011-12220	GASKET	1	50	
7	11022-05250	BOLT SPW	2	50	
8	20024-12260	NUT	2	30	
9	70200-15111	MUFFLER	1	6,000	
10	70210-15211	GASKET	1	1,000	
11	70196-15312	MUFFLER GUARD	1	1,500	
12	01020-06250	BOLT	2	50	
13	11024-05120	BOLT SLPW	1	40	
14	01020-05105	BOLT	2	100	
15	01020-05105	BOLT	1	100	
16	70196-32150	WASHER	1	100	
17	70196-32160	COVER	1	200	
18	01600-05131	SPRING WASHER	2	10	
19	01613-05080	WASHER	2	10	
20	01600-05131	SPRING WASHER	1	10	



PRICE:(¥)

Ref. No	Part No.	Part Name	Qty	Unit Price	Remarks
2-	70062-21001	CRANK CASE ASSY	1	10,000	
1	70062-21110	CRANK CASE S	1	3,600	
2	72921-21121	CRANK CASE M	1	2,750	
3	20000-21140	DAWEL PIN	4	20050	
4	12900-62020	BEARING	2	320	
5	20010-21211	OIL SEAL	2	300	
6	01020-05300	BOLT	4	40	
7	70012-31111	FAN COVER	1	4,900	
8	02006-06002	BEARING	2	530	
9	02432-32120	SNAP RING	1	40	
10	70200-31151	LABEL TRADE	1	100	
11	20011-72120	GROMMET	1	70	
12	20011-31200	CLUTCH DRUM SET	1	3,740	
13	20011-31230	SNAP RING	1	40	
14	11022-05200	BOLT SPW	4	50	
15	70196-32110	CYLINDER COVER	1	3,150	
16	70196-32141	GASKET	1	200	
17	11020-05140	BOLT SW	2	40	
18	70196-32160	COVER	2	200	
19	70196-32150	WASHER	2	100	
20	70200-33112	STAND	1	560	
21	11022-05160	BOLT SPW	2	50	
22	20011-34100	PROTECTOR ASSY	1	380	
23	11024-04160	BOLT SLPW	3	40	
24	20011-35110	JOINT	1	3,720	
25	70012-35130	CAP JOINT	1	1,350	
26	20011-35141	CLAMP A	1	380	
27	20011-35151	CLAMP B	1	330	
28	01020-05250	BOLT	2	40	
29	01600-05131	SPRING WASHER	2	10	
30	01610-05080	WASHER	2	10	
31	11022-05200	BOLT SPW	4	50	
32	70192-31510	EARTH CORD	1	50	

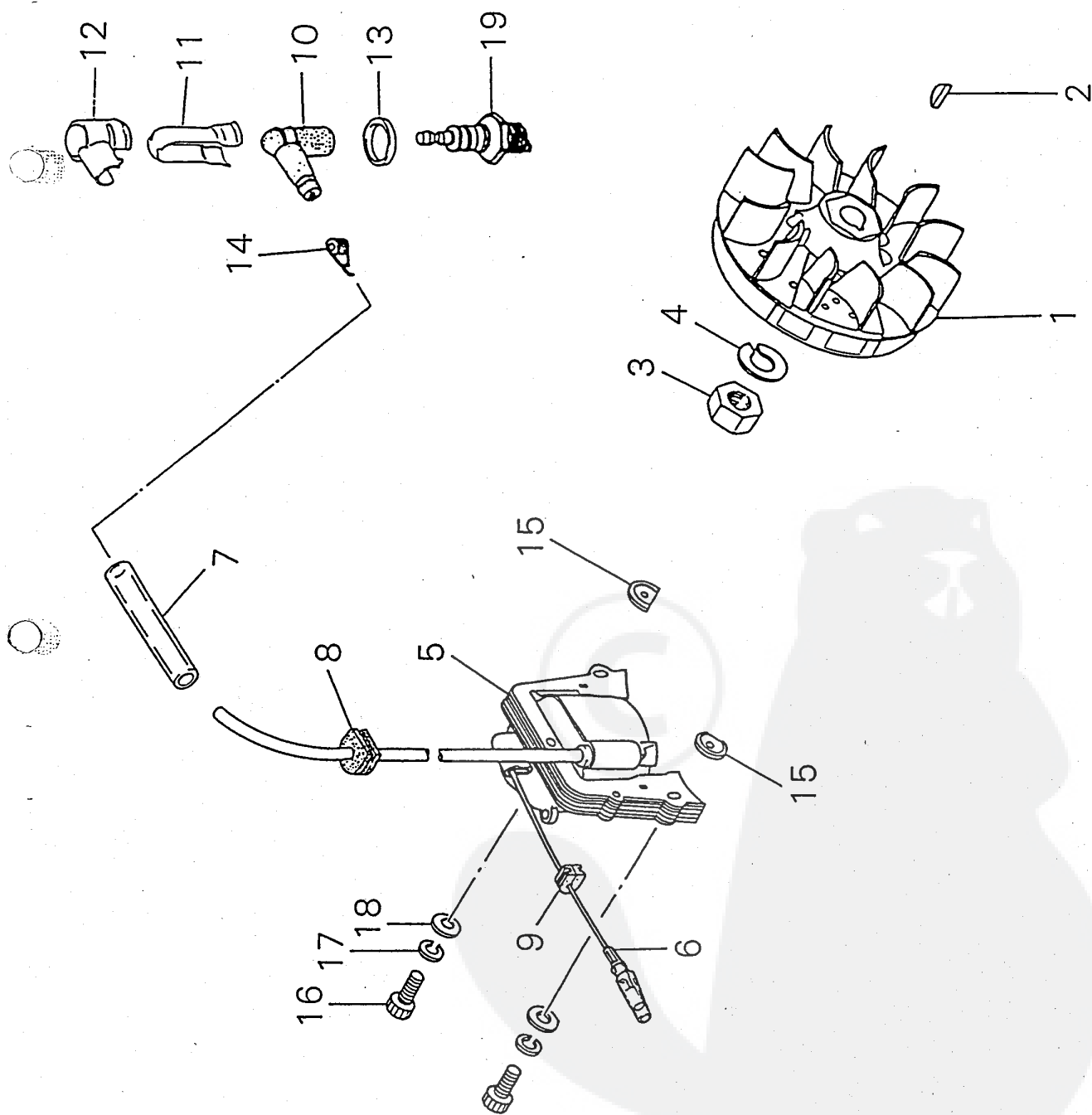


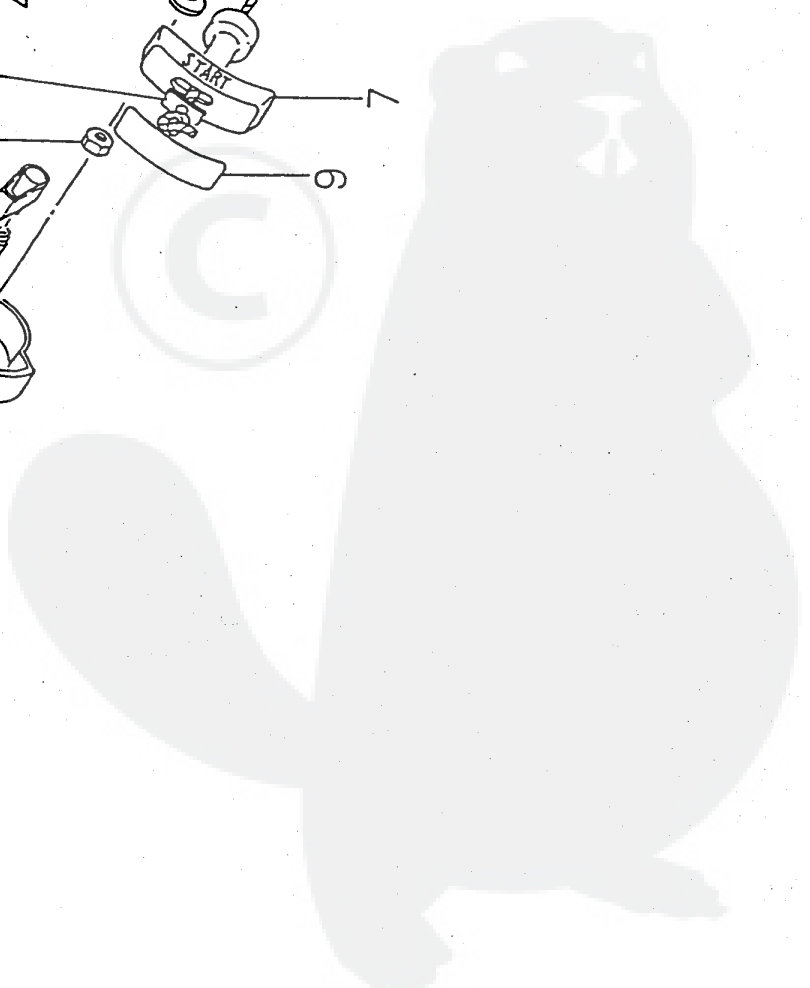
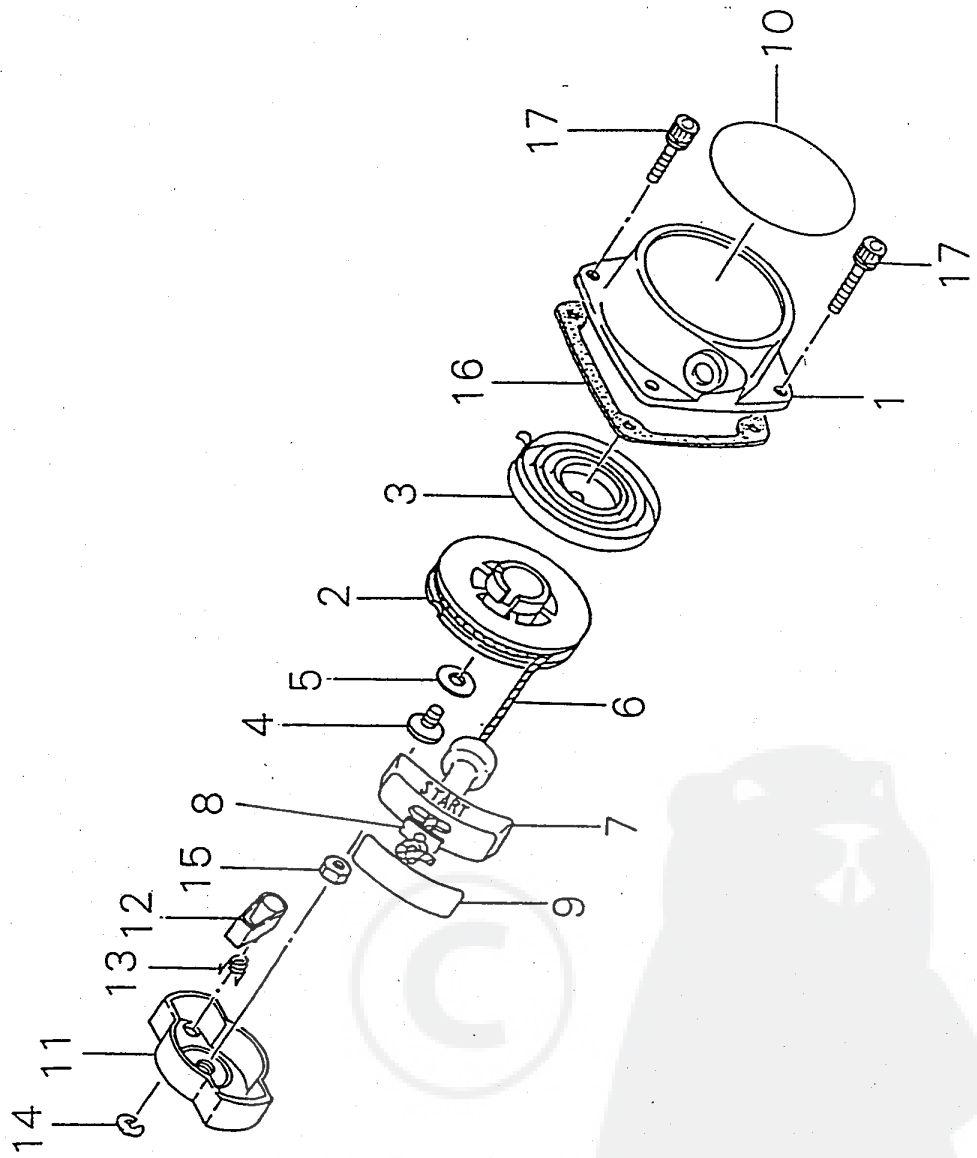
PRICE:(¥)

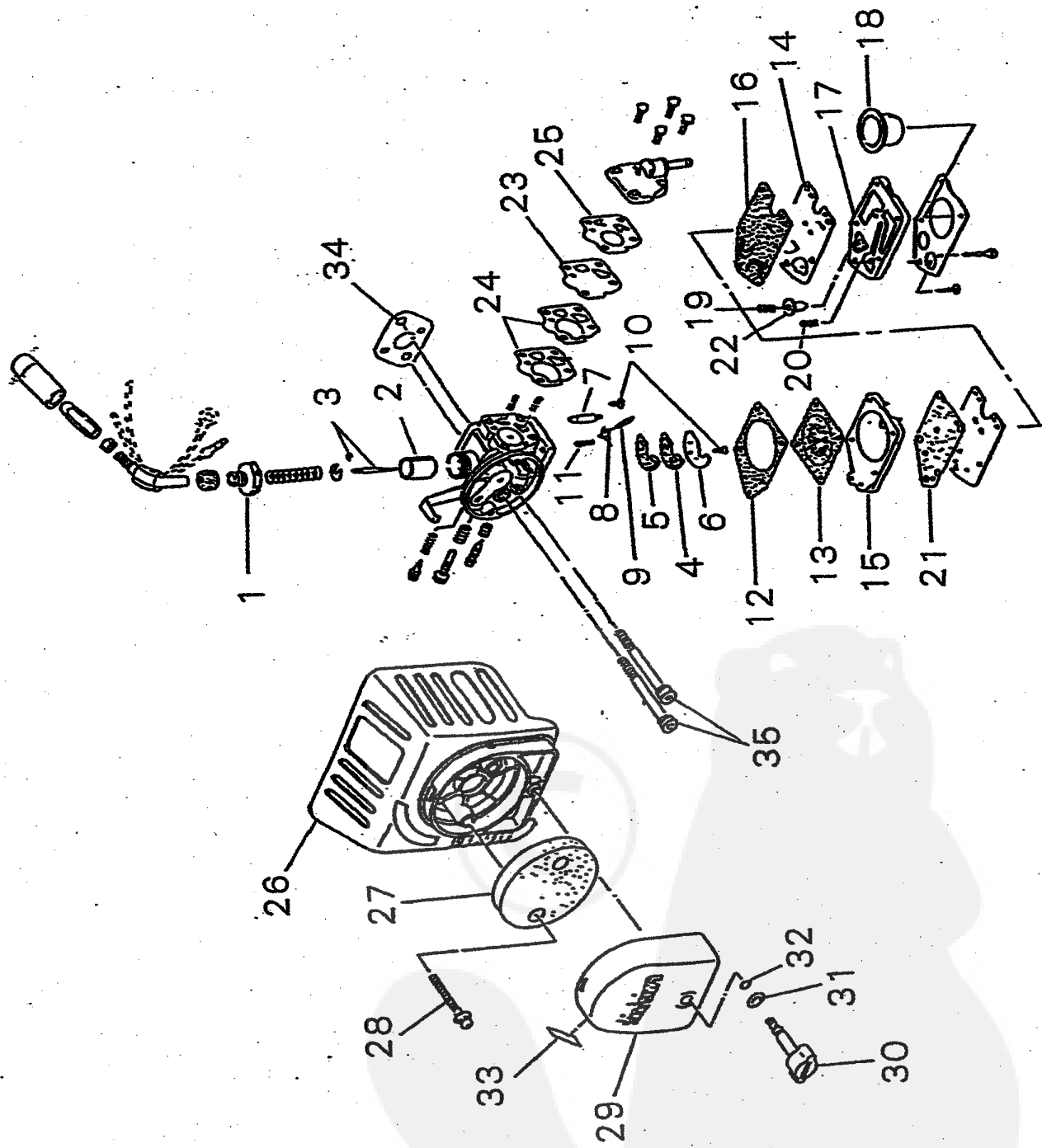
Ref. No	Part No.	Part Name	Qty	Unit Price	Remarks
3-	1 20010-41110	PISTON	1	2,100	
	2 20010-41210	PISTON RING	2	390	
	3 20010-41310	PISTON PIN	1	350	
	4 22100-41230	SNAP RING	2	30	
	5 20010-41330	NEEDLE BEARING	1	580	
	6 70200-41340	THRUST WASHER	2	350	
	7 20010-42002	CRANK SHAFT ASSY	1	11,700	
	70210-51100	CLUTCH SHOE ASSY	1	4,170	
8	20020-51112	• CLUTCH BOSS	1	1,480	
9	20020-51121	• CLUTCH SHOE	4	420	
10	20020-51131	• SPRING	4	80	
11	20020-51140	• PLATE	1	300	
12	20020-51150	• CLUTCH BOLT	2	220	
13	70210-51160	• SCREW FLAT	2	20	

PARTS LIST
SHINDAIWA
(LI38 LIA0380P)

C350/CE

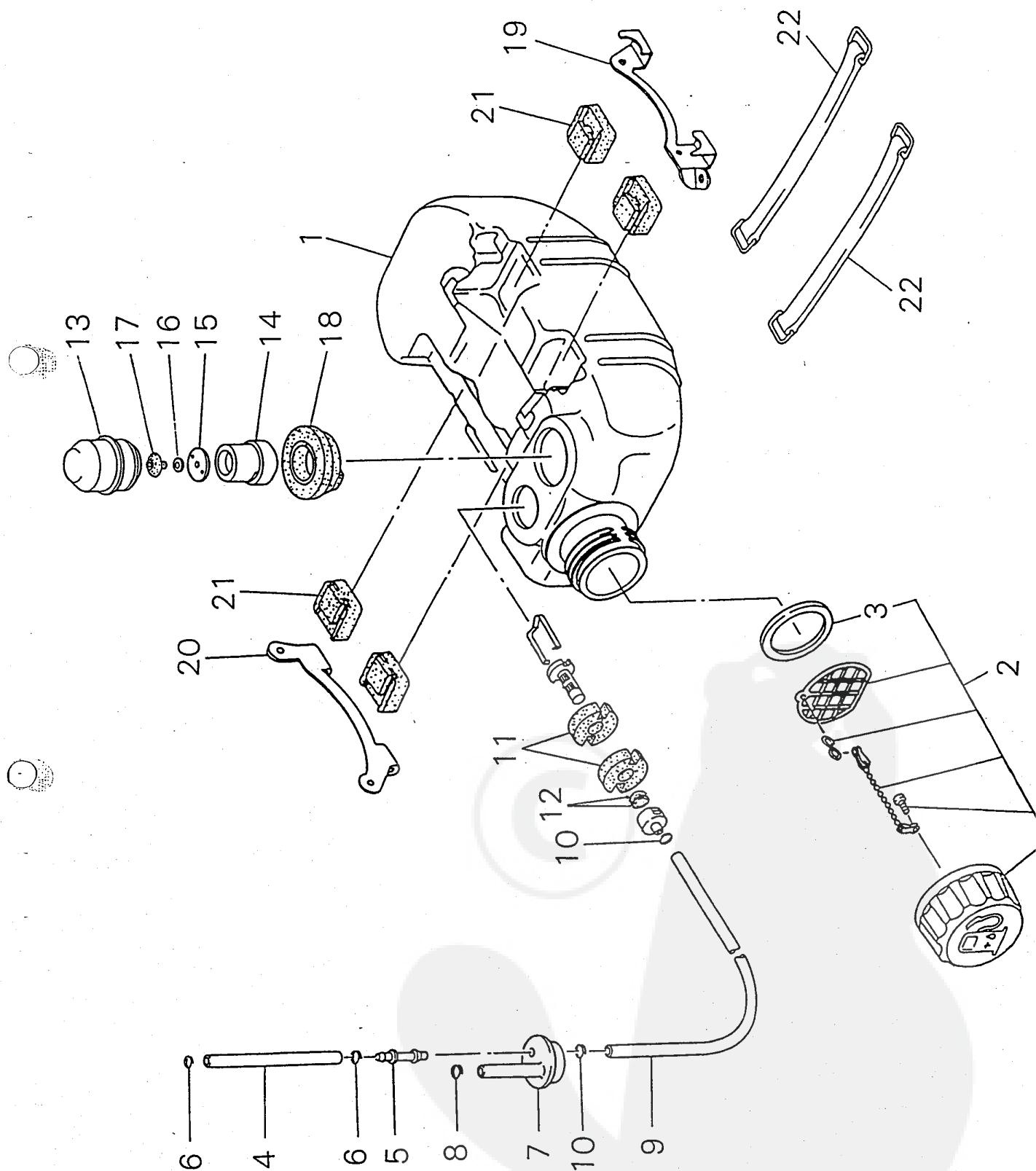


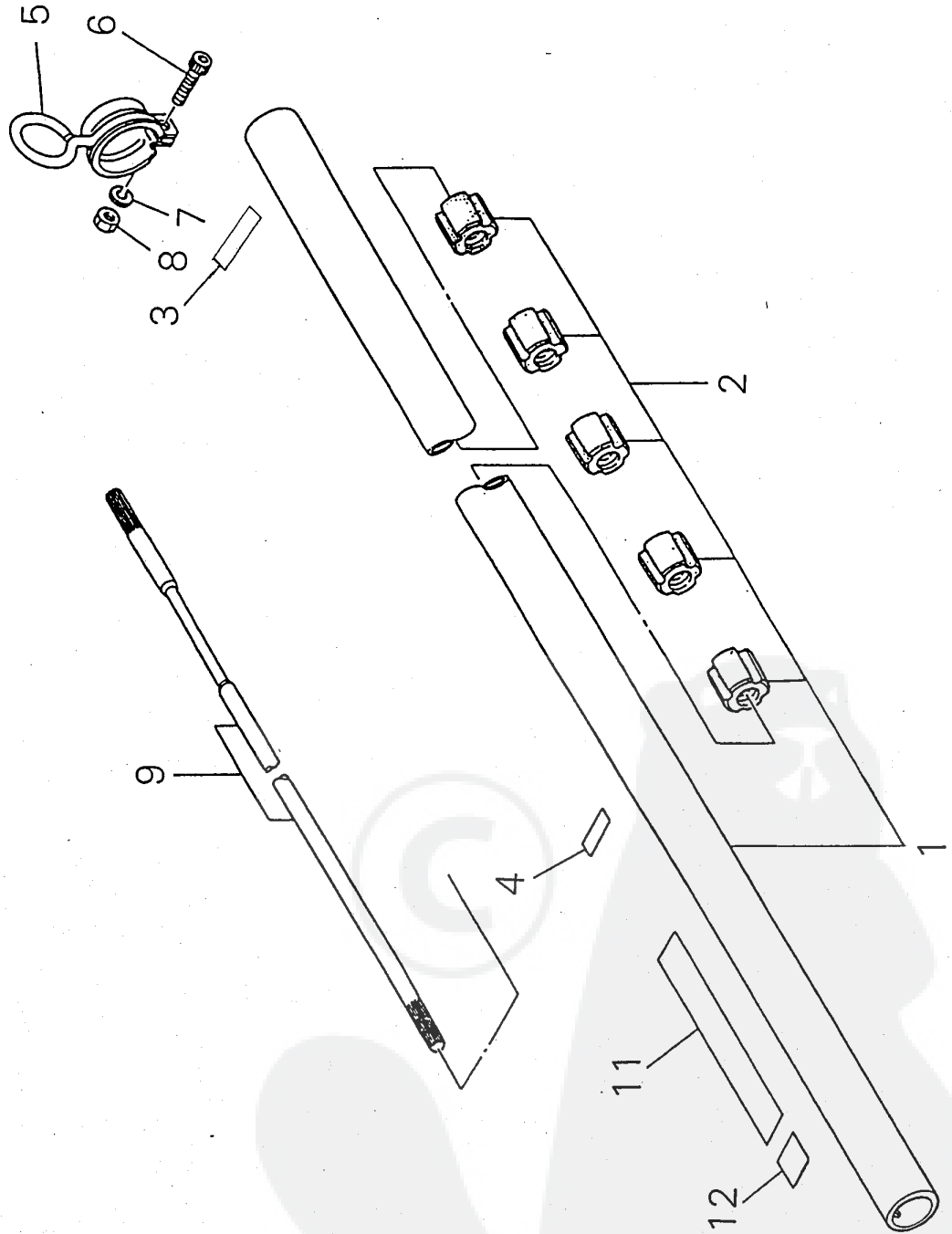


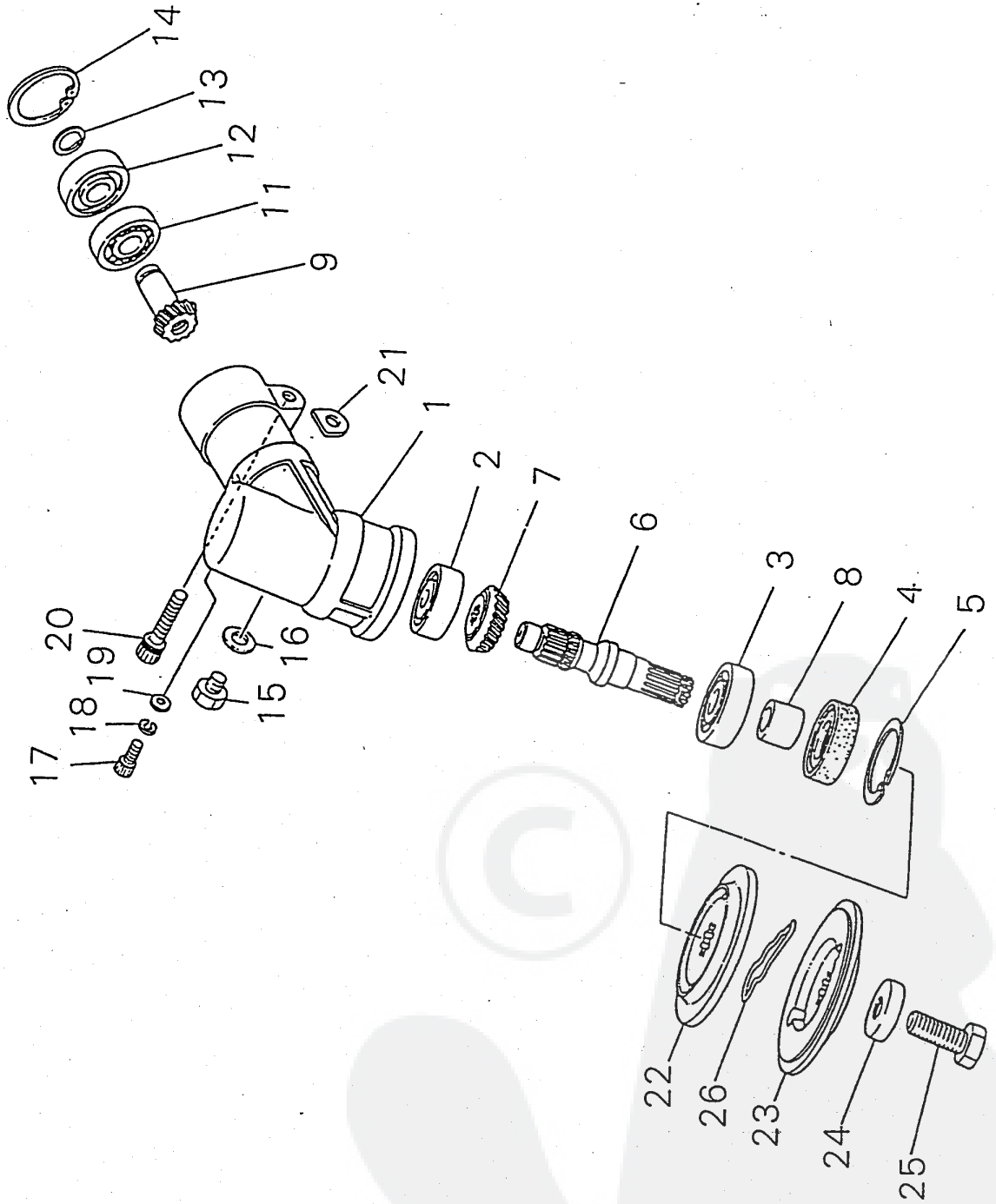


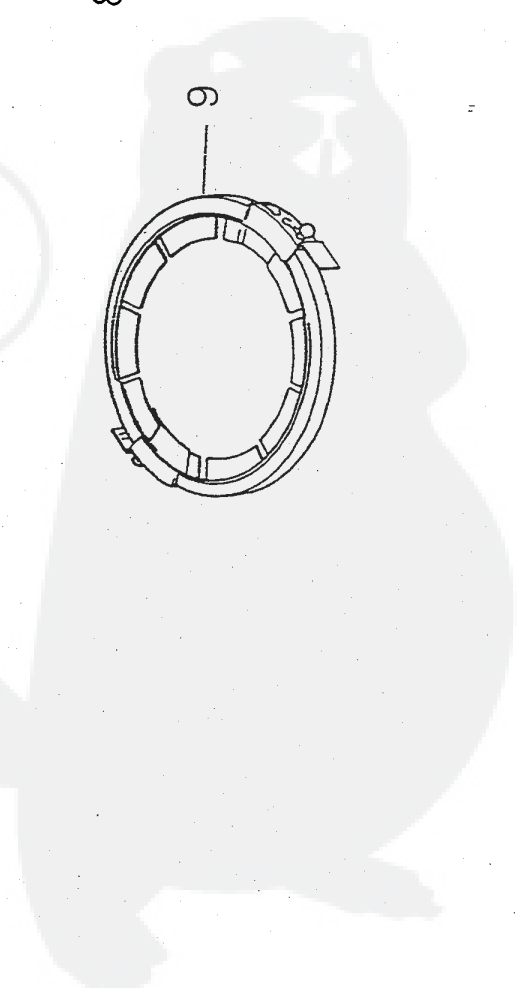
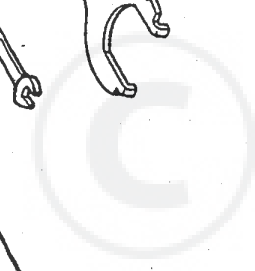
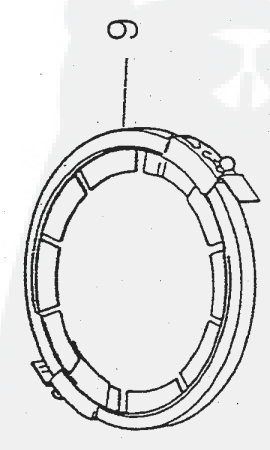
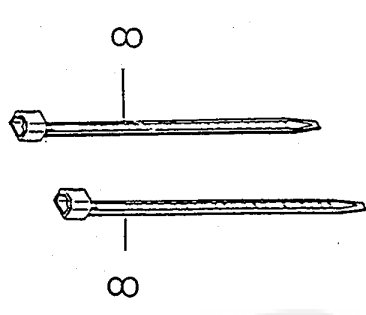
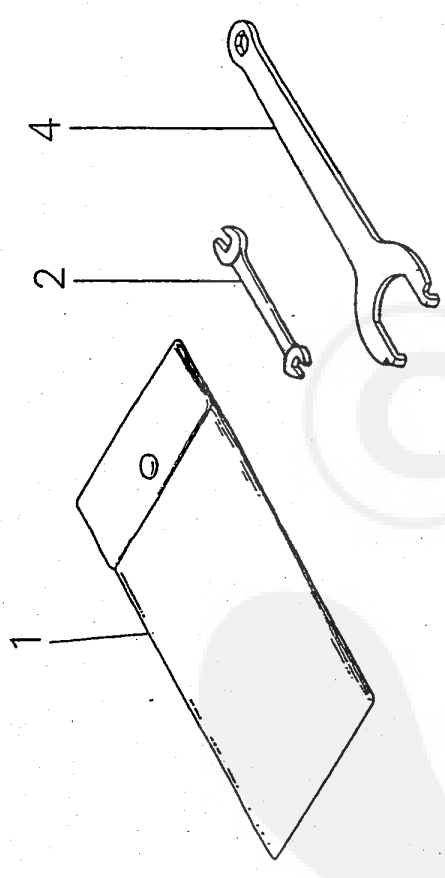
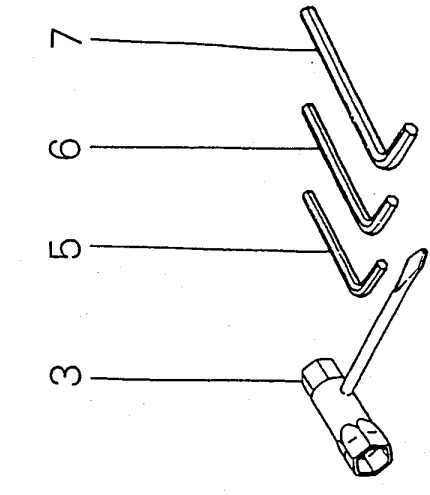
PRICE:(¥)

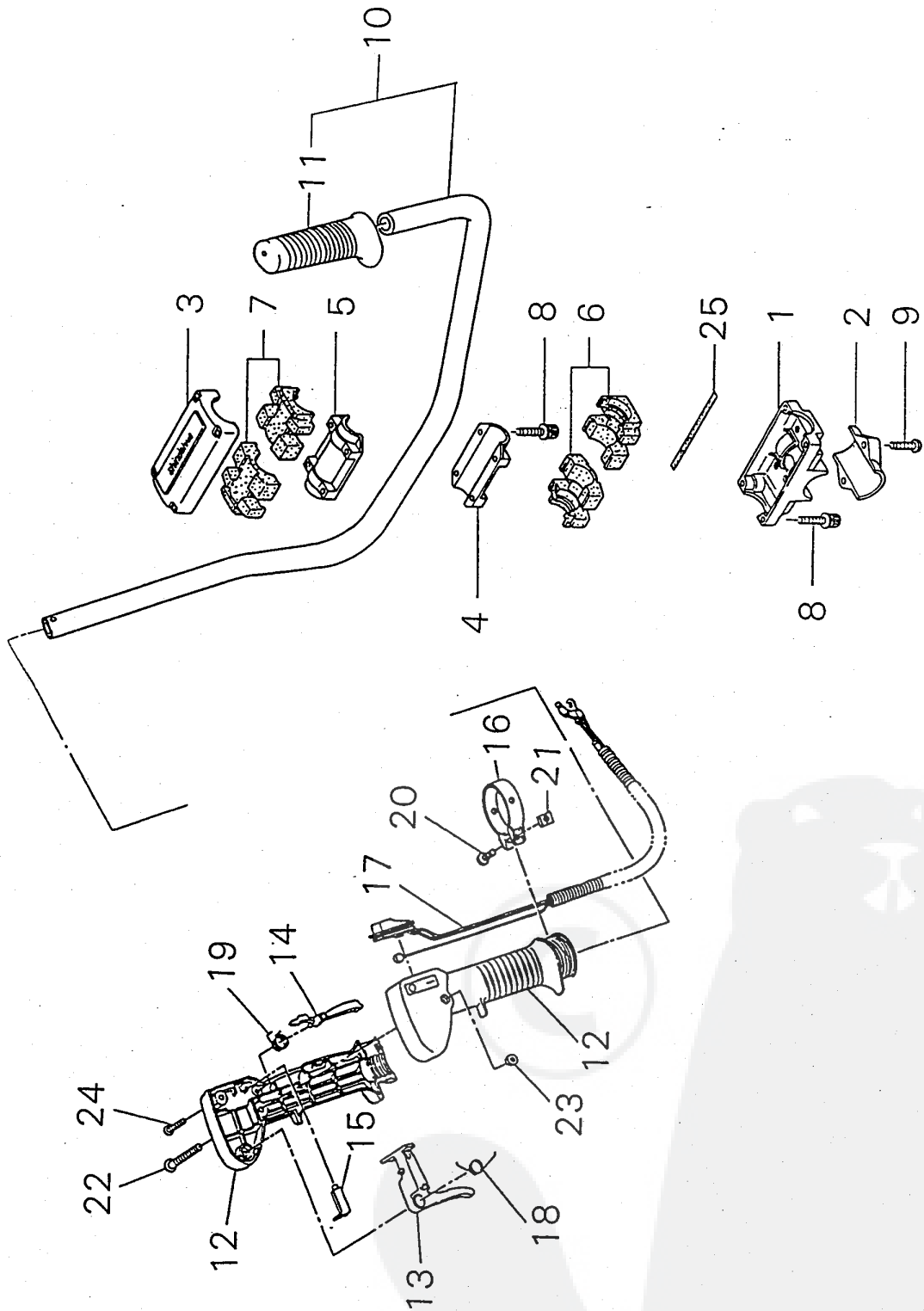
Ref. No	Part No.	Part Name	Q'ty	Unit Price	Remarks
6-	70200-81020	CARBURETOR SUB ASSY	1	7,600	
1	20055-81120	• BODY CAP	1	450	
2	70131-81180	• THROTTLE VALVE	1	960	
3	70200-81170	• JET NEEDLE	1	570	
4	20087-81411	• CHECK VALVE	1	600	
5	20087-81420	• PACKING	1	190	
6	70200-81430	• PLATE	1	280	
7	20000-81441	• NEEDLE VALVE	1	750	
8	20011-81451	• LEVER	1	210	
9	20011-81460	• PIN	1	120	
10	20011-81470	• SCREW	2	40	
11	20040-81430	• SPRING	1	140	
12	20087-81510	• GASKET	1	150	
13	20087-81520	• DIAPHRAGM	1	1,290	
14	20087-81540	• GASKET	1	150	
15	20087-81550	• COVER	1	1,480	
16	20087-81571	• CHECK VALVE	1	650	
17	20087-81811	• PUMP BASE	1	360	
18	20087-81820	• PUMP	1	250	
19	20087-81851	• SPRING	1	100	
20	20087-81870	• SPRING	1	100	
21	20087-81890	• PACKING	1	200	
22	20087-81861	• VALVE	1	200	
23	20011-81621	• DIAPHRAGM	1	310	
24	20011-81630	• GASKET	2	110	
25	20087-81660	• PUMP VALVE	1	790	
26	70102-81710	CLEANER BODY	1	720	
27	20056-81740	FILTER	1	130	
28	11207-04250	SCREW PM SLPW	2	20	
29	20060-81770	CLEANER COVER	1	330	
30	20060-81781	KNOB CLEANER COVER	1	330	
31	20024-81790	CONE WASHER	1	30	
32	22100-82430	O RING	1	40	
33	19404-00008	LABEL CHOKE	1	80	
34	20011-83410	GASKET CARBURETOR	1	60	
35	11022-05550	BOLT SW	2	30	

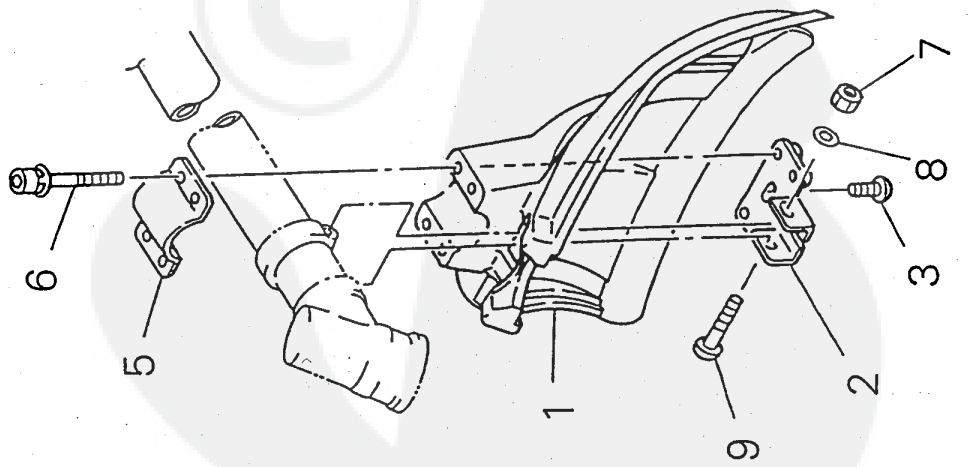
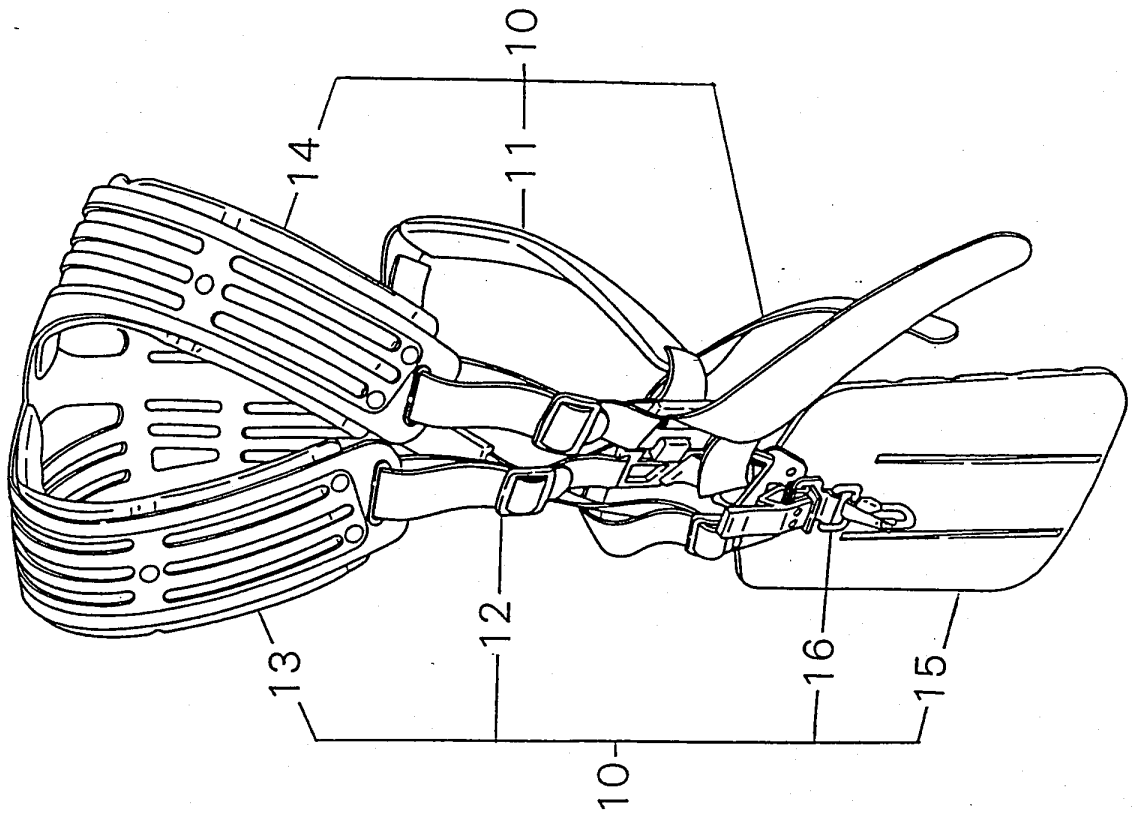






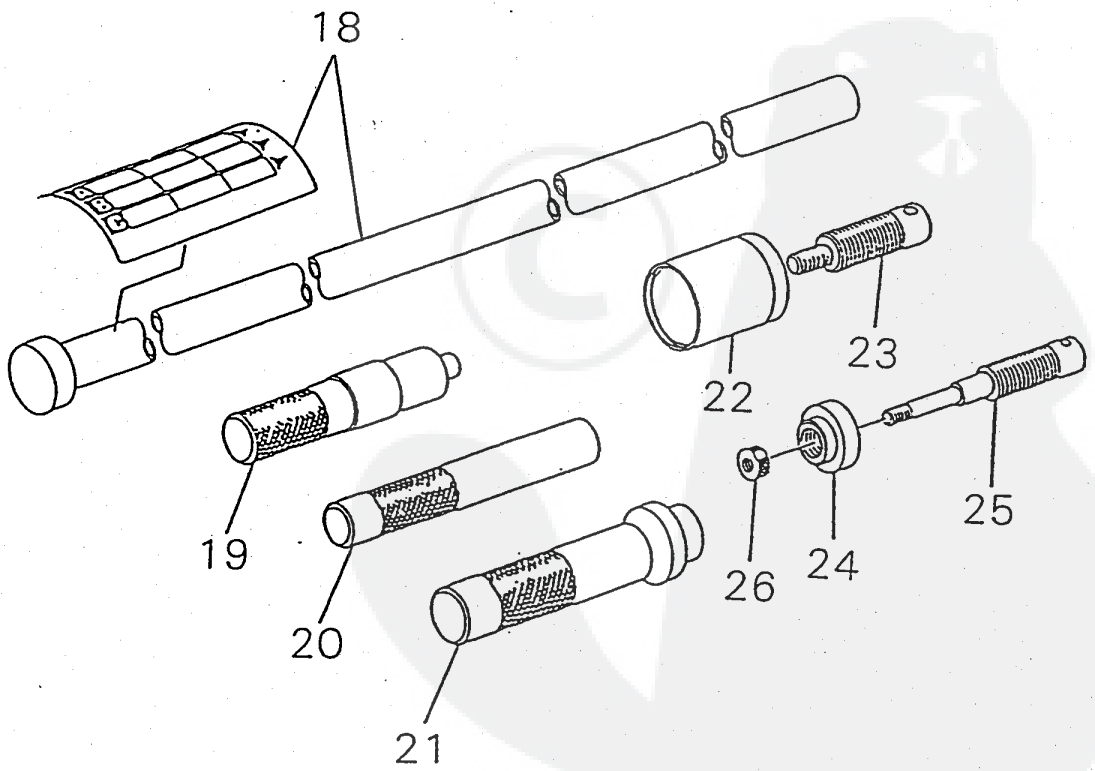
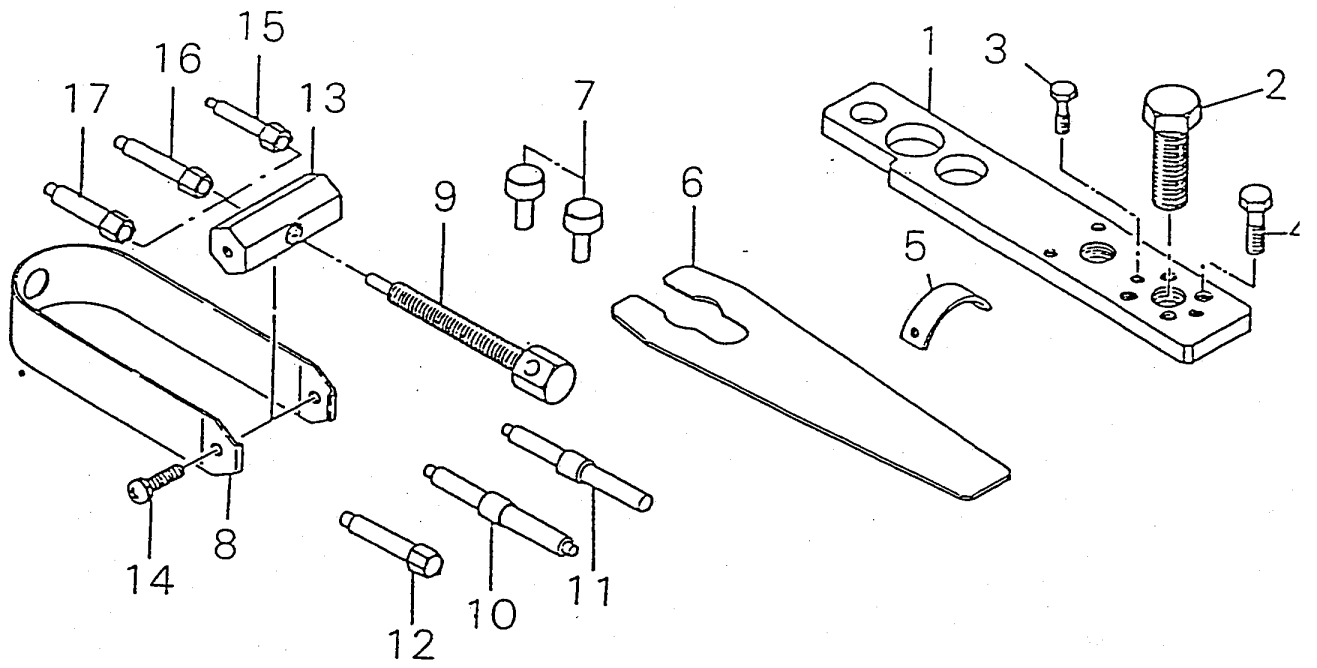






PRICE:(¥)

Ref. No.	Part No.	Part Name	Qty	Unit Price	Remarks	
12-	1	72480-16112	GUARD	1	350	
	2	72017-16130	LOWER CLAMP	1	170	
	3	11202-40100	SCREW HILO 4X10	1	30	
	5	72480-16210	UPPER CLAMP	1	60	
	6	11022-05450	BOLT SPW	4	80	
	7	01500-06051	NUT	1	10	
	8	01613-06100	WASHER	1	70	
	9	11022-06400	BOLT SPW	1	100	
	10	72451-17203	HARNES ASSY	1	6,000	
	11	22007-17220	• PROTECTOR	1	310	
	12	72451-17230	• BUCKLE	4	60	
	13	72451-17241	• PAD RIGHT	1	840	
	14	72451-17251	• PAD LEFT	1	840	
	15	72451-17262	• PAD	1	1,980	
	16	72451-17271	• HOOK	1	1,580	



PRICE:(¥)

Ref. No	Part No.	Part Name	Qty	Unit Price	Remarks
13-	20000-96104	PULLER ASSY	1	5,080	
1	20000-96114	• LEVER	1	3,850	
2	22100-96121	• CENTER BOLT	1	620	
3	20000-96130	• BOLT	3	130	
4	20000-96140	• BOLT	2	170	
5	20000-96210	AIR GAP GAUGE	1	310	
6	20000-96411	ROTOR SPANNER	1	1,350	
7	20021-96420	STOPPER	2	190	
	20021-96601	PULLER ASSY	1	6,680	
8	20021-96611	• PULLER	1	320	
9	20021-96621	• BOLT	1	2,350	
10	20000-96631	• GUIDE PIN	1	560	
11	20035-96630	• GUIDE PIN	1	460	
12	20021-96630	• GUIDE PIN	1	420	
13	20000-96640	• BOSS	1	560	
14	01211-06120	• SCREW SW	2	20	
15	20021-96650	• PIN ADAPTER	1	590	
16	20021-96660	• PIN ADAPTER	1	660	
17	20021-96670	• PIN ADAPTER	1	720	
18	22000-96101	ROD BUSHING ASSY	1	8,560	
19	22015-96210	ROD	1	1,890	
20	22015-96310	ROD	1	1,230	
21	22015-96410	ROD	1	2,710	
	22015-96500	PULLER ASSY	1	1,720	
22	22015-96510	• HOLDER	1	1,410	
23	22015-96520	• BOLT	1	490	
	22015-96600	PULLER ASSY	1	1,200	
24	22015-96610	• HOLDER A	1	580	
25	22000-96621	• BOLT	1	710	
26	22000-96630	• NUT	1	90	