

shindaiwa

PARTS PRICE LIST

T 2 3 E

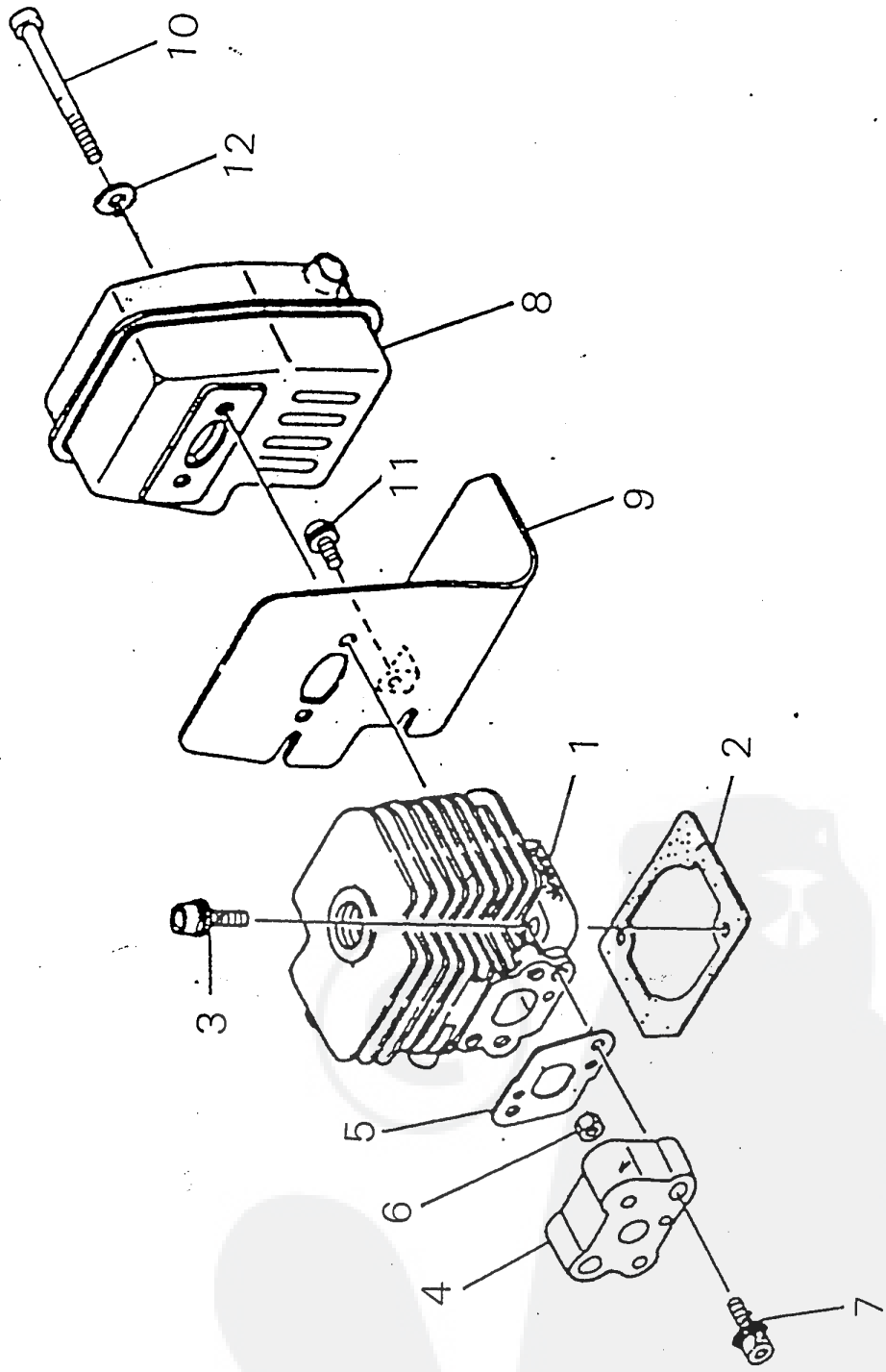
SHIN-DAIWA KOGYO Co., LTD.

35, Ooaza Shin-Ujigami, Chiyoda-cho Yamagata-gun, Hiroshima, 731-15 Japan

Telephone (082672) 6019 SDKHIR Fax (082672) 7005

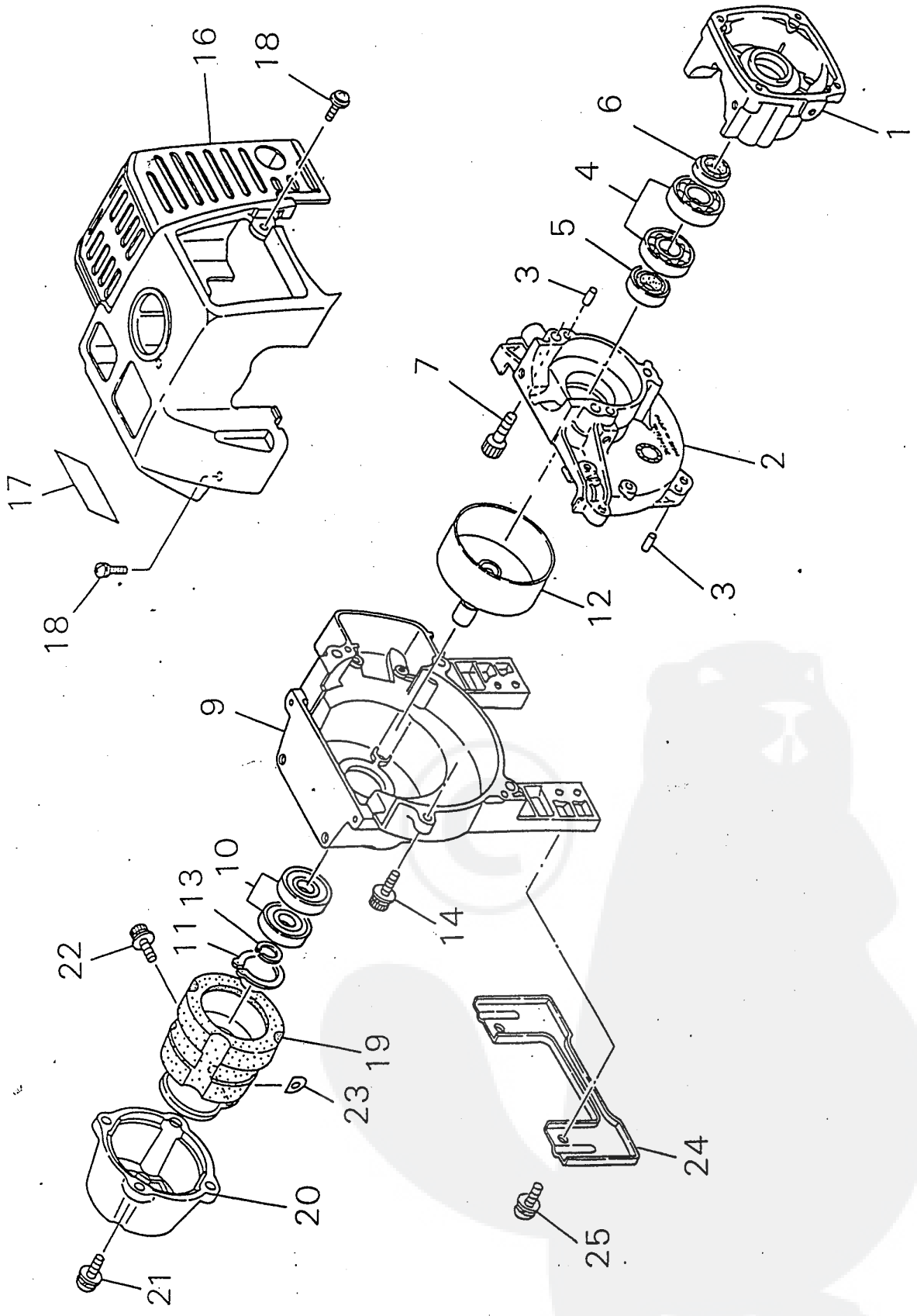
T23E/VK

SEP. 1. 1994



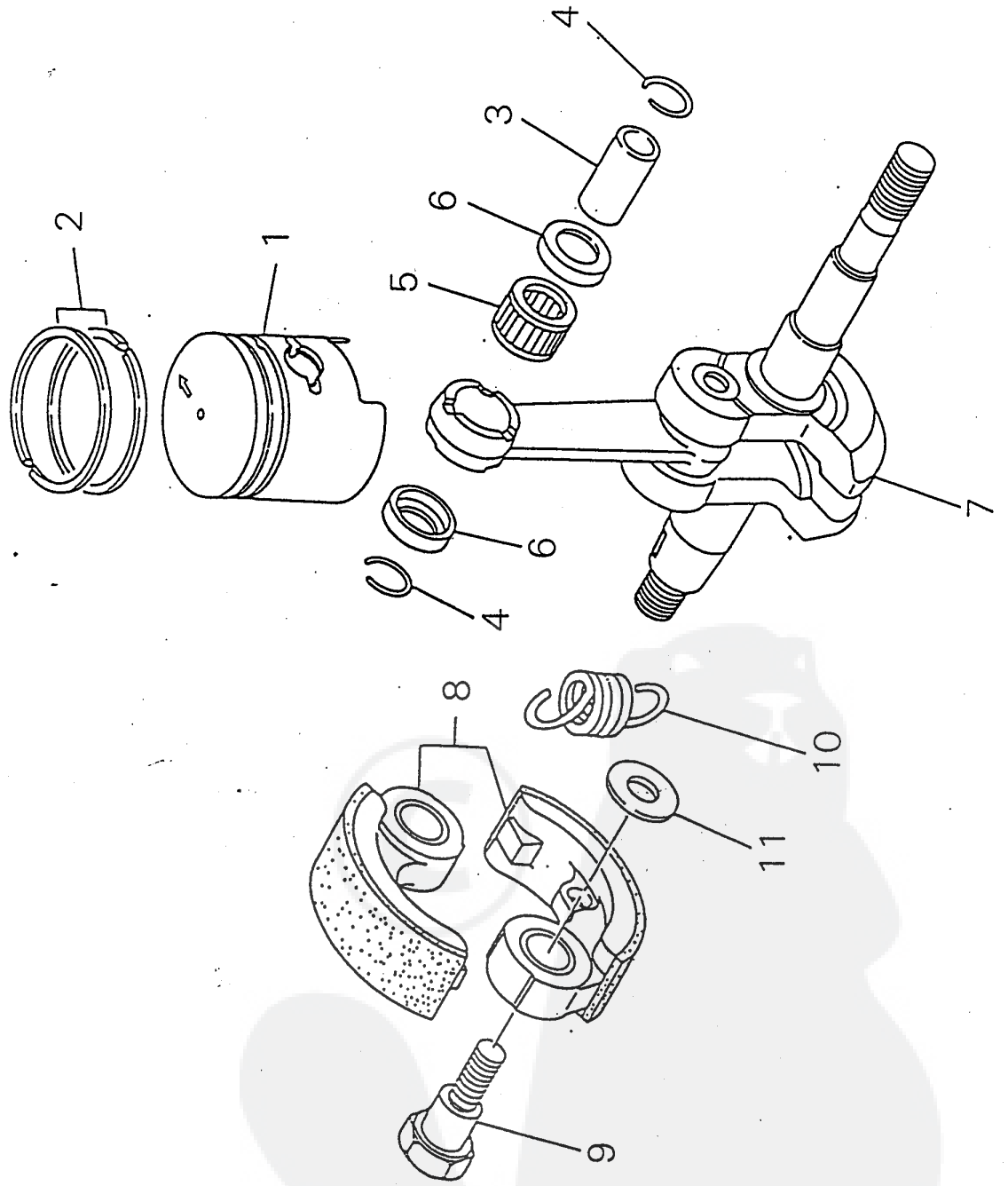
PRICE:(¥)

Ref. No	Part No.	Part Name	Qty	Unit Price	Remarks
1- 1	20075-12110	CYLINDER	1	7,800	
2	20035-12120	GASKET	1	70	
3	11022-05250	BOLT SPW	2	50	
4	20074-12210	INSULATOR	1	910	
5	20035-12220	GASKET	1	50	
6	20036-12260	NUT	2	40	
7	11022-05200	BOLT SPW	2	50	
8	20035-15112	MUFFLER	1	2,150	
9	20035-15121	GASKET MUFFLER	1	770	
10	01020-05550	BOLT	2	70	
11	11206-05120	SCREW PM SPW	1	20	
12	01610-05080	WASHER	2	10	



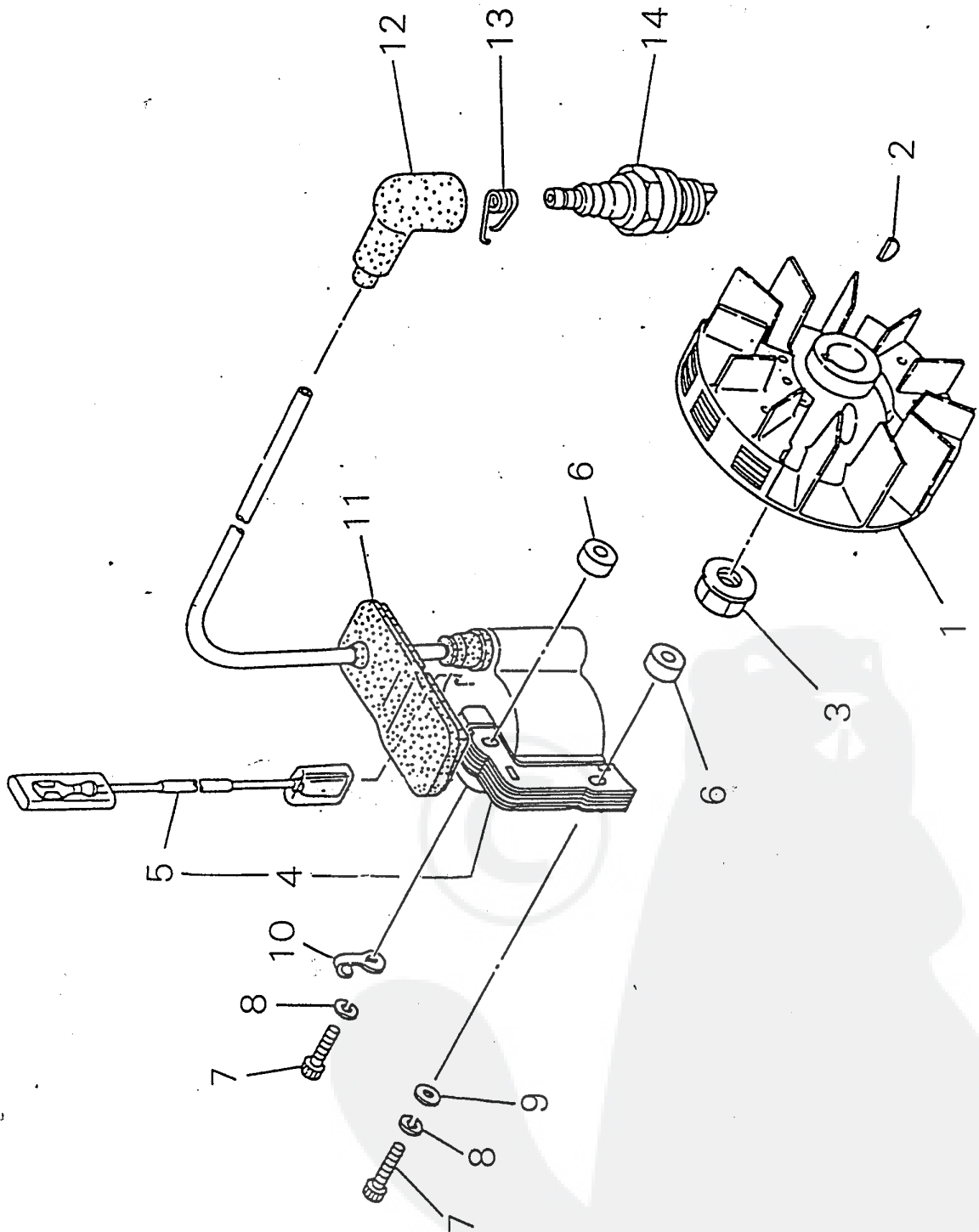
PRICE:(¥)

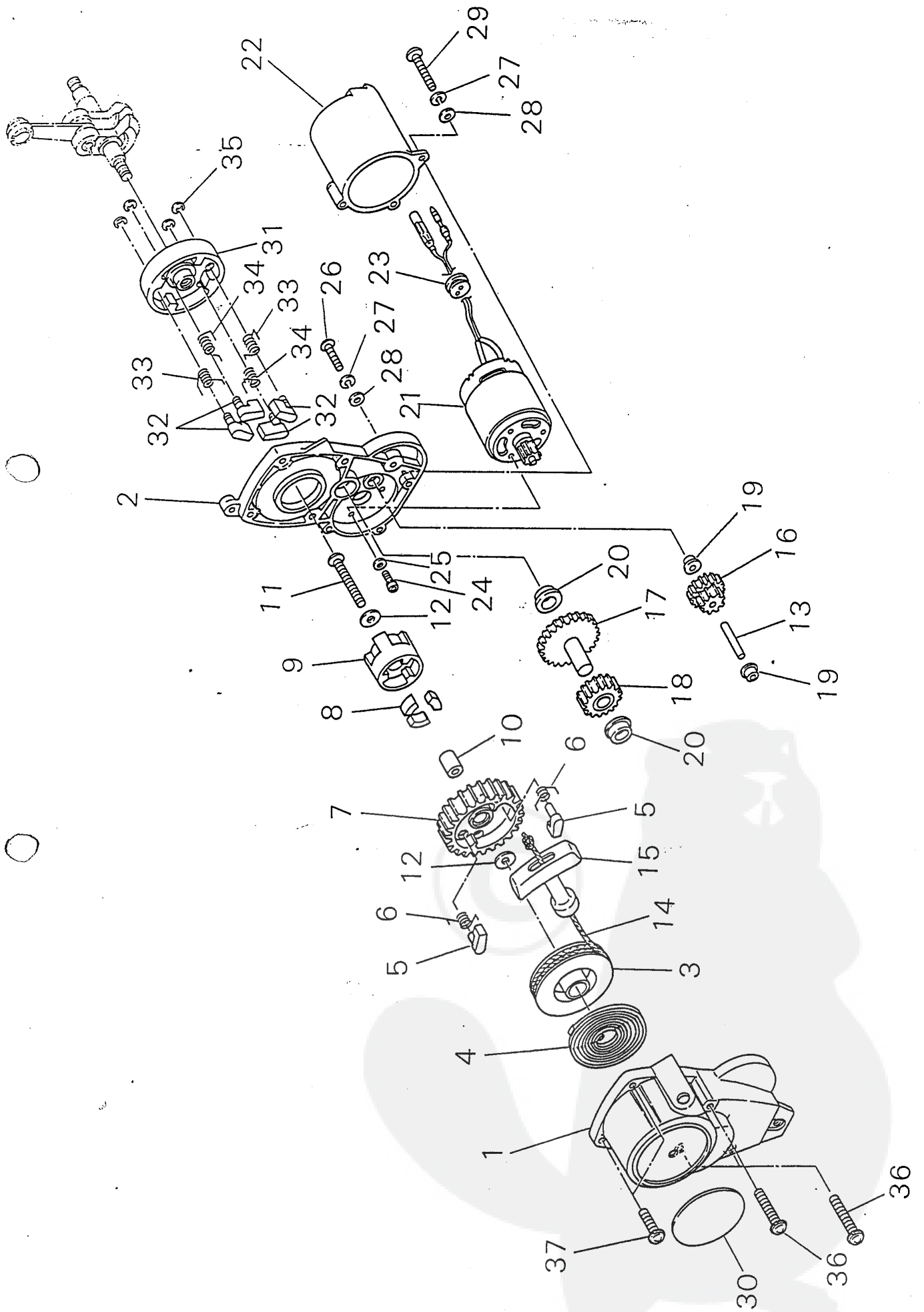
Ref. No	Part No.	Part Name	Qty	Unit Price	Remarks
2-	20036-21003	CRANK CASE ASSY	1	8,350	
1	20036-21111	• CRANK CASE S	1	3,300	
2	20036-21122	• CRANK CASE M	1	3,450	
3	12492-40080	• ROLLER	4	50	
4	12900-60010	• BEARING	2	320	
5	20000-21211	• OIL SEAL	1	270	
6	22150-21250	• OIL SEAL	1	180	
7	01020-05250	• BOLT	3	40	
	70109-31101	FAN COVER ASSY	1	7,110	
9	70109-31111	• FAN COVER	1	3,100	
10	02006-06000	• BEARING	2	480	
11	02432-26120	• SNAP RING	1	40	
12	20035-31120	• CLUTCH DRUM	1	2,900	
13	22000-13320	• SNAP RING	1	40	
14	11022-05160	BOLT SPW	4	50	
16	20079-31210	CYLINDER COVER	1	1,900	
17	70109-31250	NAME PLATE	1	250	
18	20040-31330	SCREW PM SW L	3	20	
19	20035-31411	JOINT	1	2,570	
20	70036-31420	CAP JOINT	1	570	
21	11206-05160	SCREW PM SPW	2	20	
22	11023-05250	BOLT SW	1	50	
23	20035-31460	SHIM	1	20	
24	20077-33110	STAND	1	490	
25	11206-05120	SGREW PM SPW	2	20	



PRICE: (¥)

Ref. No	Part No.	Part Name	Qty	Unit Price	Remarks
3- 1	20075-41110	PISTON	1	2,000	
2	20000-41210	PISTON RING	2	360	
3	20075-41310	PISTON PIN	1	270	
4	70030-41320	SNAP RING	2	20	
5	70030-41330	NEEDLE BEARING	1	580	
6	70030-41340	THRUST WASHER	2	170	
7	20035-42002	CRANK SHAFT ASSY	1	9,600	
	20035-51101	CLUTCH SHOE ASSY	1	2,620	
8	20035-51111	· CLUTCH SHOE	2	970	
9	20000-51212	· BOLT	2	210	
10	20035-51221	· CLUTCH SPRING	1	150	
11	22100-71430	· WASHER	2	30	



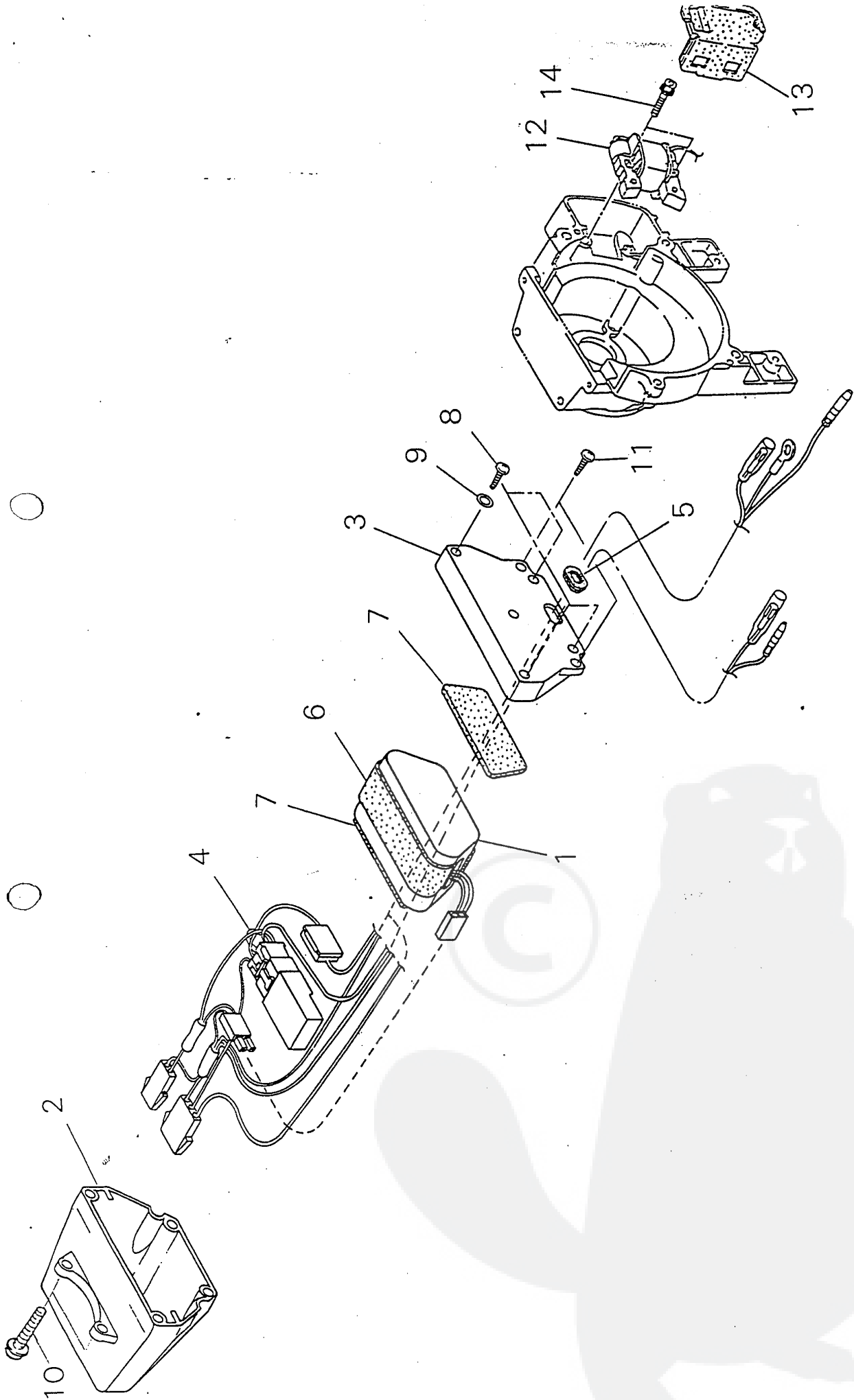


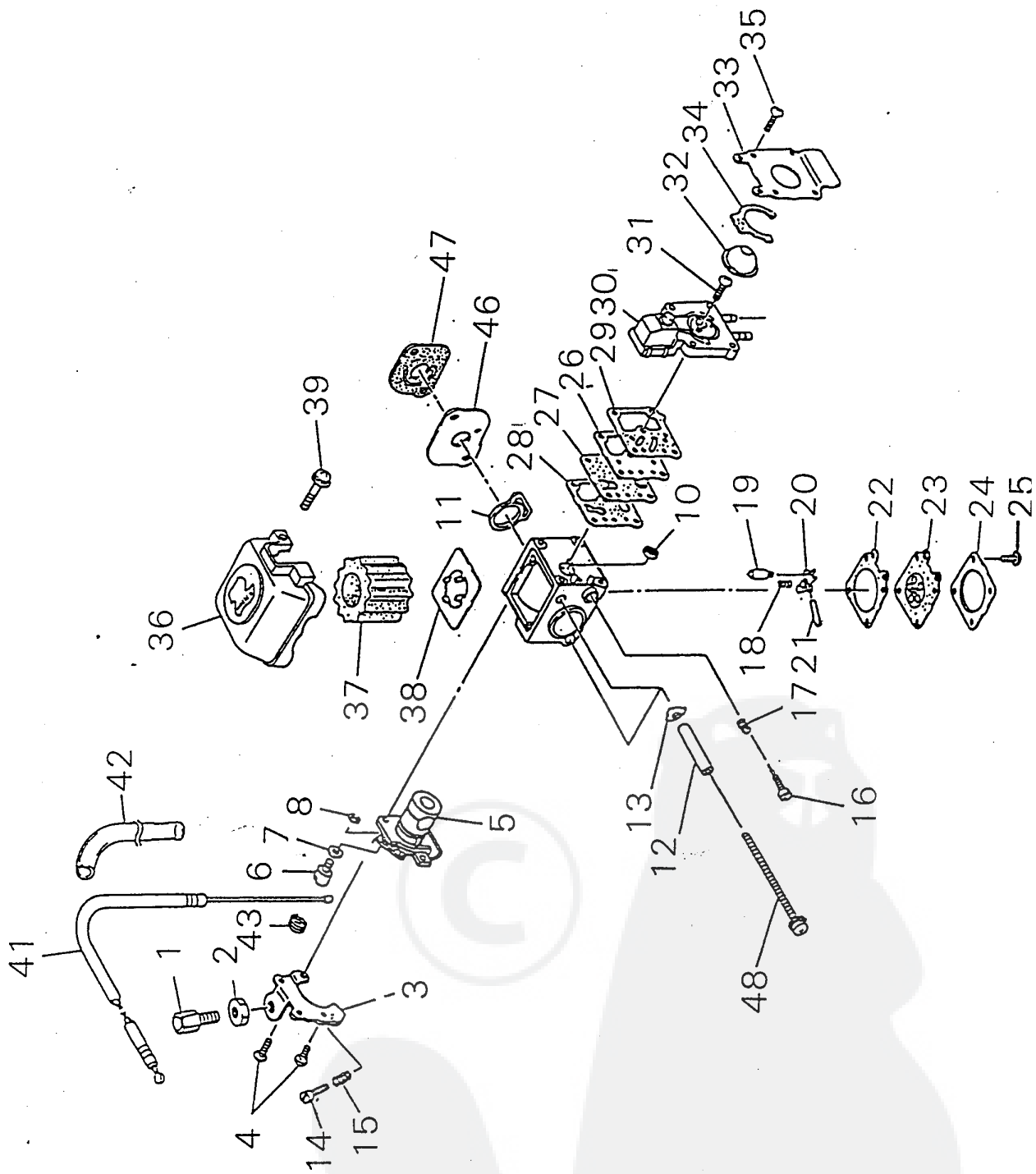
PRICE:(¥)

Ref. No	Part No.	Part Name	Q'ty	Unit Price	Remarks
5-	20079-77100	STARTER SUB ASSY	1	25,000	
1	20079-77110	• STARTER CASE COMP	1	2,660	
2	20079-77120	• STARTER COVER COMP	1	1,540	
3	20079-77130	• REEL	1	460	
4	70030-75130	• RECOIL SPRING	1	620	
5	20079-77140	• RATCHET	2	100	
6	20079-77150	• RETURN SPRING	2	110	
7	20079-77160	• GEAR	1	630	
8	20079-77170	• DAMPER	3	180	
9	20079-77180	• CAM	1	320	
10	20079-77190	• COLLAR	1	240	
11	20079-77210	• SCREW	1	100	
12	70030-75140	• WASHER	2	60	
13	20079-77220	• SHAFT	1	180	
14	20079-77230	• ROPE	1	300	
15	20079-77240	• STARTER KNOB	1	250	
16	20079-77250	• GEAR	1	700	
17	20079-77260	• GEAR COMP	1	3,080	
18	20079-77270	• CLUTCH GEAR COMP	1	4,690	
19	20079-77280	• BUSH	2	140	
20	20079-77290	• BUSH	2	300	
21	20079-77310	• MOTOR COMP	1	10,500	
22	20079-77320	• MOTOR COVER	1	910	
23	20079-77330	• GROMMET	1	420	
24	11020-03080	• BOLT SW	3	220	
25	01613-03050	• WASHER	3	10	
26	20079-77340	• SCREW TAPPING	1	10	
27	01600-04100	• SPRING WASHER	4	10	
28	20079-77350	• WASHER	4	10	
29	20079-77360	• SCREW TAPPING	3	40	
30	20064-75250	NAME PLATE	1	120	
	20079-77500	STARTER PULLY SUB ASSY	1	2,400	
31	20079-77510	• STARTER PULLEY	1	1,720	
32	20079-77520	• RATCHET	4	140	
33	20079-77530	• RETURN SPRING	2	110	
34	20079-77540	• RETURN SPRING	2	110	
35	70030-75240	• E RING	4	30	
36	20079-75420	SCREW PM SW	2	30	

PARTS LIST
SHINDAIWA
(LI38 LIA0380P)

T23E/VK





PRICE: (¥)

Ref. No	Part No.	Part Name	Q'ty	Unit Price	Remarks
7-	20077-81000	CARBURETOR ASSY	1	6,670	
1	20036-81110	• CABLE ADJUSTER	1	340	
2	20036-81120	• NUT	1	80	
3	20036-81132	• CABLE BRACKET	1	600	
4	20036-81290	• SCREW	2	120	
5	20036-81182	• VALVE ASSY	1	1,370	
6	70029-81450	• CABLE RECIVE	1	300	
7	20036-81185	• WASHER	1	60	
8	20036-81195	• E RING	1	60	
10	70030-81380	• SCREEN	1	110	
11	20036-81251	• RING GASKET	1	330	
12	20036-81260	• SLEEVE	2	160	
13	20036-81270	• SLEEVE PLATE	1	110	
14	20036-81310	• SLOW STOP SCREW	1	170	
15	20036-81320	• SPRING	1	110	
16	20036-81351	• ADJUST SCREW	1	850	
17	20036-81360	• SPRING	1	110	
18	22100-81270	• SPRING LEVER	1	180	
19	20036-81440	• NEEDLE VALVE	1	660	
20	22100-81230	• LEVER	1	220	
21	22100-81250	• PIN	1	120	
22	20036-81510	• GASKET DIAPHRAGM	1	100	
23	22100-81260	• DIAPHRAGM ASSY	1	980	
24	22100-81280	• COVER DIAPHRAGM	1	360	
25	20036-81140	• SGREW	4	140	
26	20036-81610	• PUMP PLATE	1	180	
27	20036-81620	• DIAPHRAGM	1	310	
28	20036-81630	• PUMP GASKET	1	190	
29	20036-81640	• PLATE GASKET	1	560	
30	20036-81650	• PUMP BASE COMP	1	1,370	
31	20036-81660	• SCREW	4	150	
32	20036-81670	• PRIMER PUMP	1	750	
33	20036-81681	• PUMP BRACKET	1	390	
34	20036-81690	• GASKET	1	480	
35	20036-81660	• SCREW	1	150	
36	20077-81710	• CLEANER COVER	1	490	
37	20036-81740	• FILTER	1	230	
38	20036-81750	• CLEANER PLATE	1	220	

PARTS LIST
SHINDAIWA
(L138 LIA0380P)

T23E/VK

