

# shindaiwa

## PARTS PRICE LIST

T 2 5

**SHIN-DAIWA KOGYO CO., LTD.**

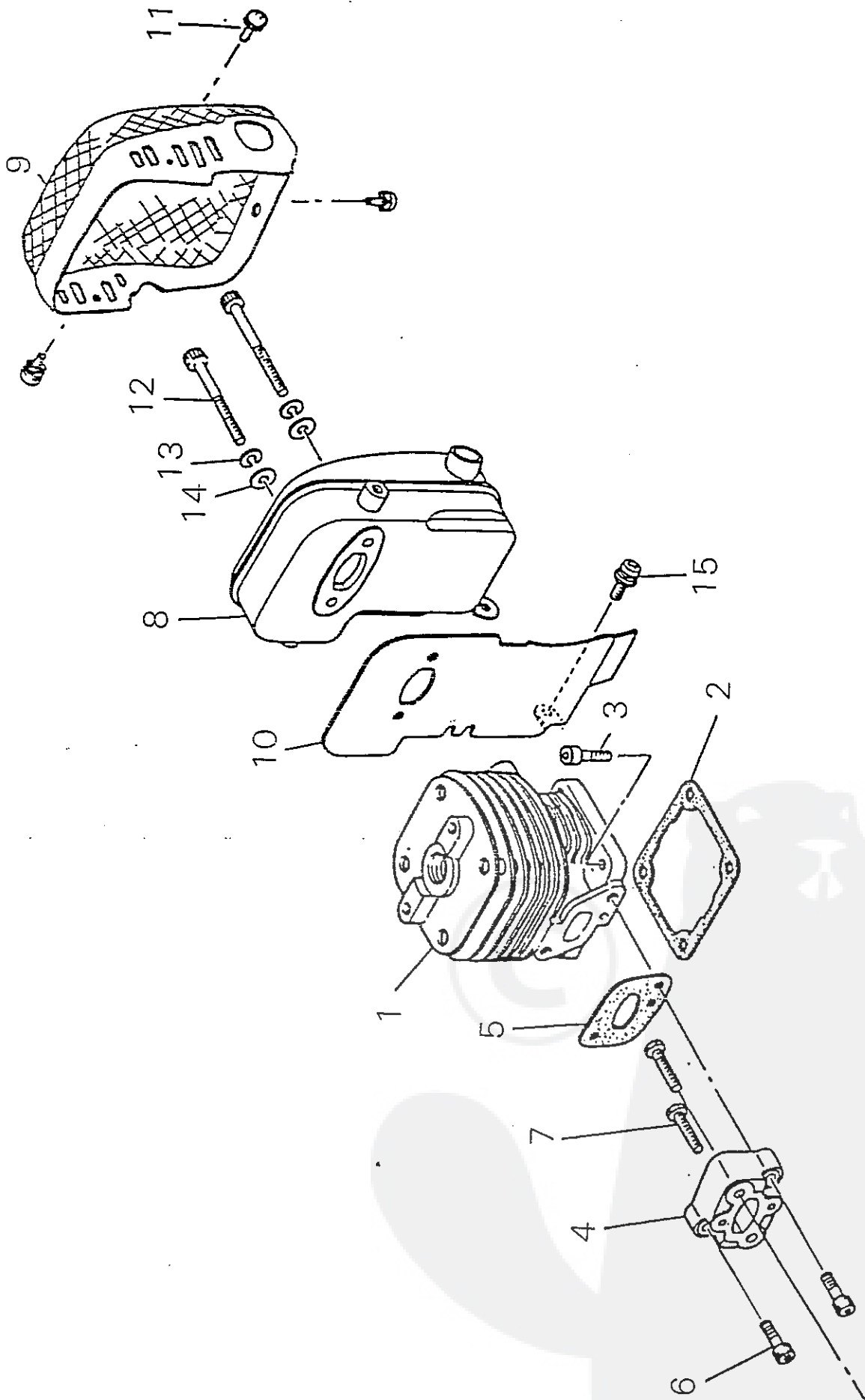
35, Ooaza Shin-Ujigami, Chiyoda-cho Yamagata-gun, Hiroshima, 731-14 Japan  
Telephone (082672) 6011 Telex 665871 SDKHIR Fax (082672) 6001, 6002  
Cable Address SHINDAIWA HIROSHIMA

JUN. 1 0. 1991

TUK/E

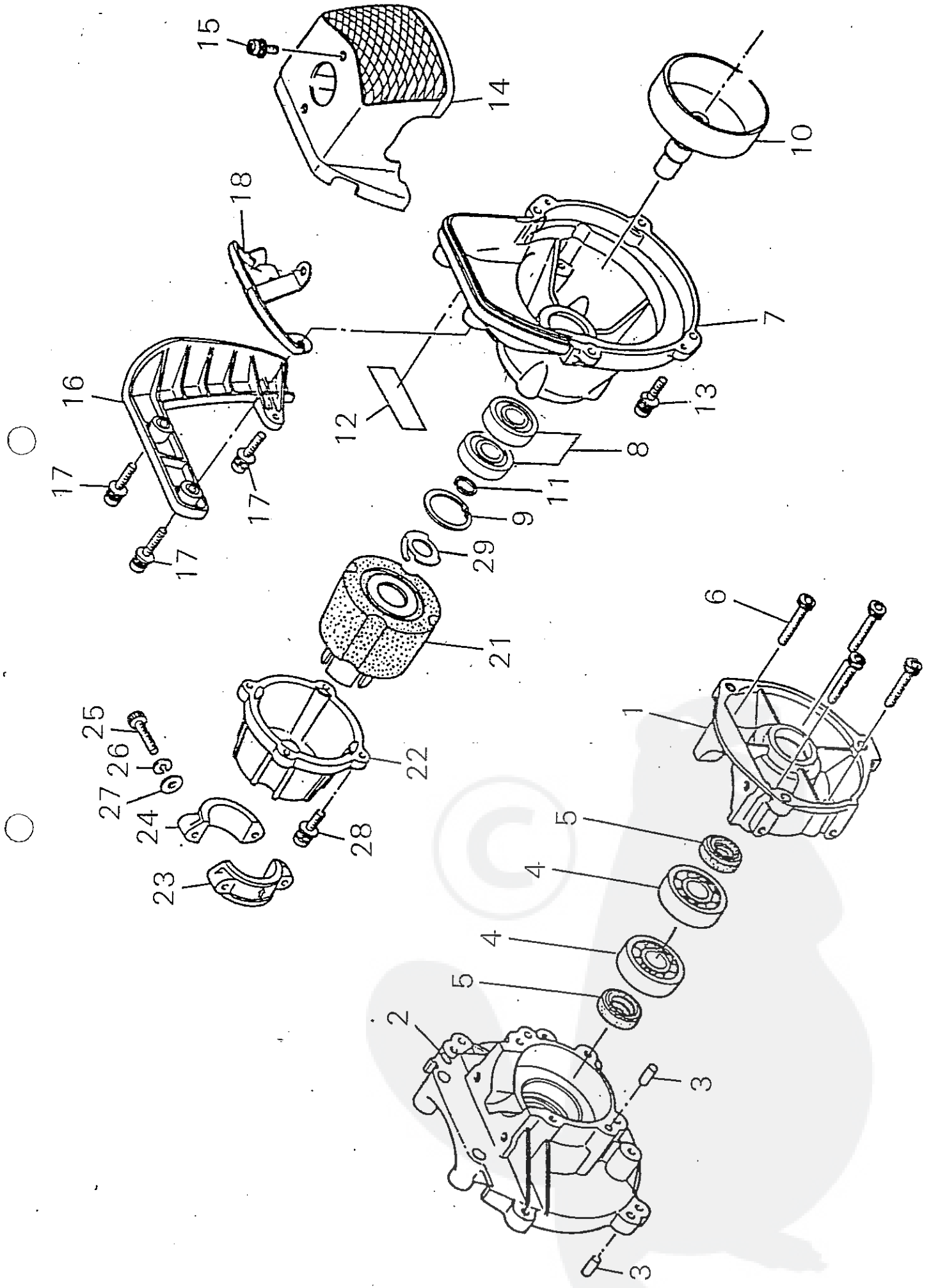
Q

Q



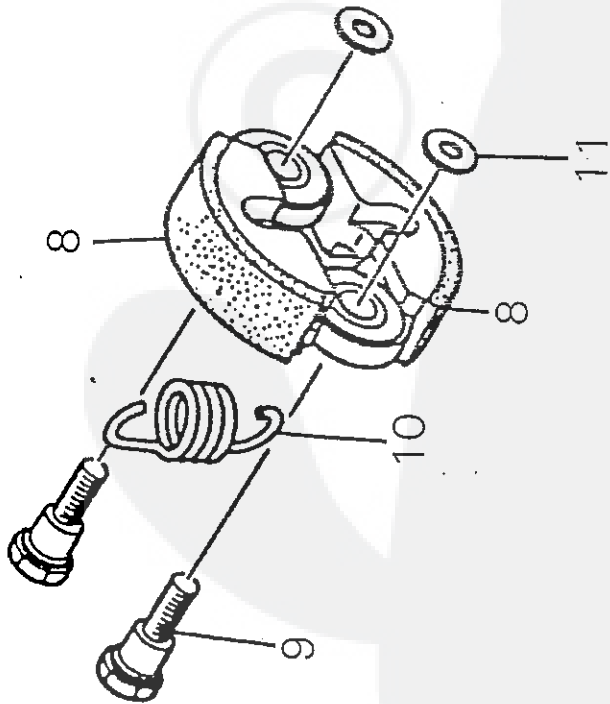
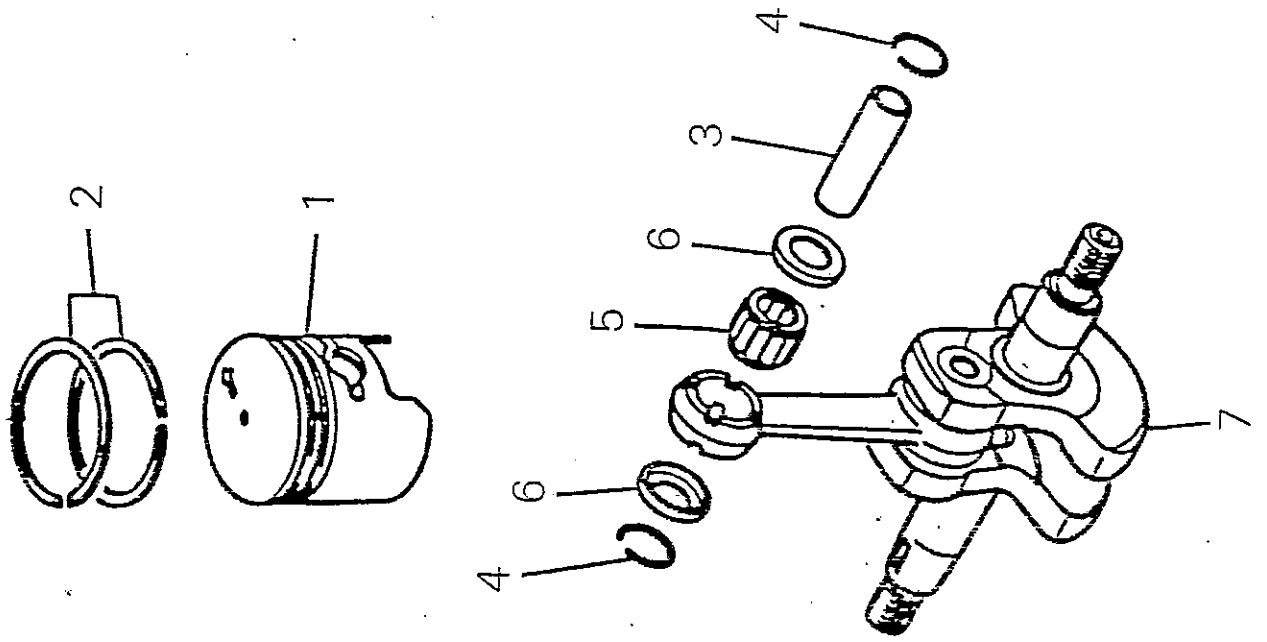
PRICE: (ST)

| Ref. No. | Part No.    | Part Name        | Qty | Unit Price | Remarks |
|----------|-------------|------------------|-----|------------|---------|
| 1- 1     | 20005-12110 | CYLINDER         | 1   | 7,900      |         |
| 2        | 20000-12120 | GASKET CYLINDER  | 1   | 70         |         |
| 3        | 11020-05180 | BOLT SW          | 4   | 50         |         |
| 4        | 20000-12212 | INSULATOR        | 1   | 820        |         |
| 5        | 20000-12220 | GASKET INLET     | 1   | 50         |         |
| 6        | 01010-05250 | BOLT             | 2   | 20         |         |
| 7        | 11022-05200 | BOLT SPW         | 2   | 50         |         |
|          | 70001-15000 | MUFFLER ASSY     | 1   | 5,850      |         |
| 8        | 20044-15110 | • MUFFLER        | 1   | 3,200      |         |
| 9        | 70001-15120 | • GURAD MUFFLER  | 1   | 1,630      |         |
| 10       | 20000-15131 | • GASKET MUFFLER | 1   | 770        |         |
| 11       | 01213-04080 | • SCREW SW       | 3   | 20         |         |
| 12       | 01020-05500 | • BOLT           | 2   | 50         |         |
| 13       | 01600-05131 | • SPRING WASHER  | 2   | 10         |         |
| 14       | 01610-05080 | • WASHER         | 2   | 10         |         |
| 15       | 01213-05120 | • SCREW SW       | 1   | 20         |         |
|          |             |                  |     |            |         |
|          |             |                  |     |            |         |
|          |             |                  |     |            |         |
|          |             |                  |     |            |         |
|          |             |                  |     |            |         |
|          |             |                  |     |            |         |
|          |             |                  |     |            |         |
|          |             |                  |     |            |         |
|          |             |                  |     |            |         |
|          |             |                  |     |            |         |
|          |             |                  |     |            |         |
|          |             |                  |     |            |         |
|          |             |                  |     |            |         |
|          |             |                  |     |            |         |
|          |             |                  |     |            |         |
|          |             |                  |     |            |         |
|          |             |                  |     |            |         |
|          |             |                  |     |            |         |
|          |             |                  |     |            |         |
|          |             |                  |     |            |         |
|          |             |                  |     |            |         |
|          |             |                  |     |            |         |
|          |             |                  |     |            |         |
|          |             |                  |     |            |         |
|          |             |                  |     |            |         |

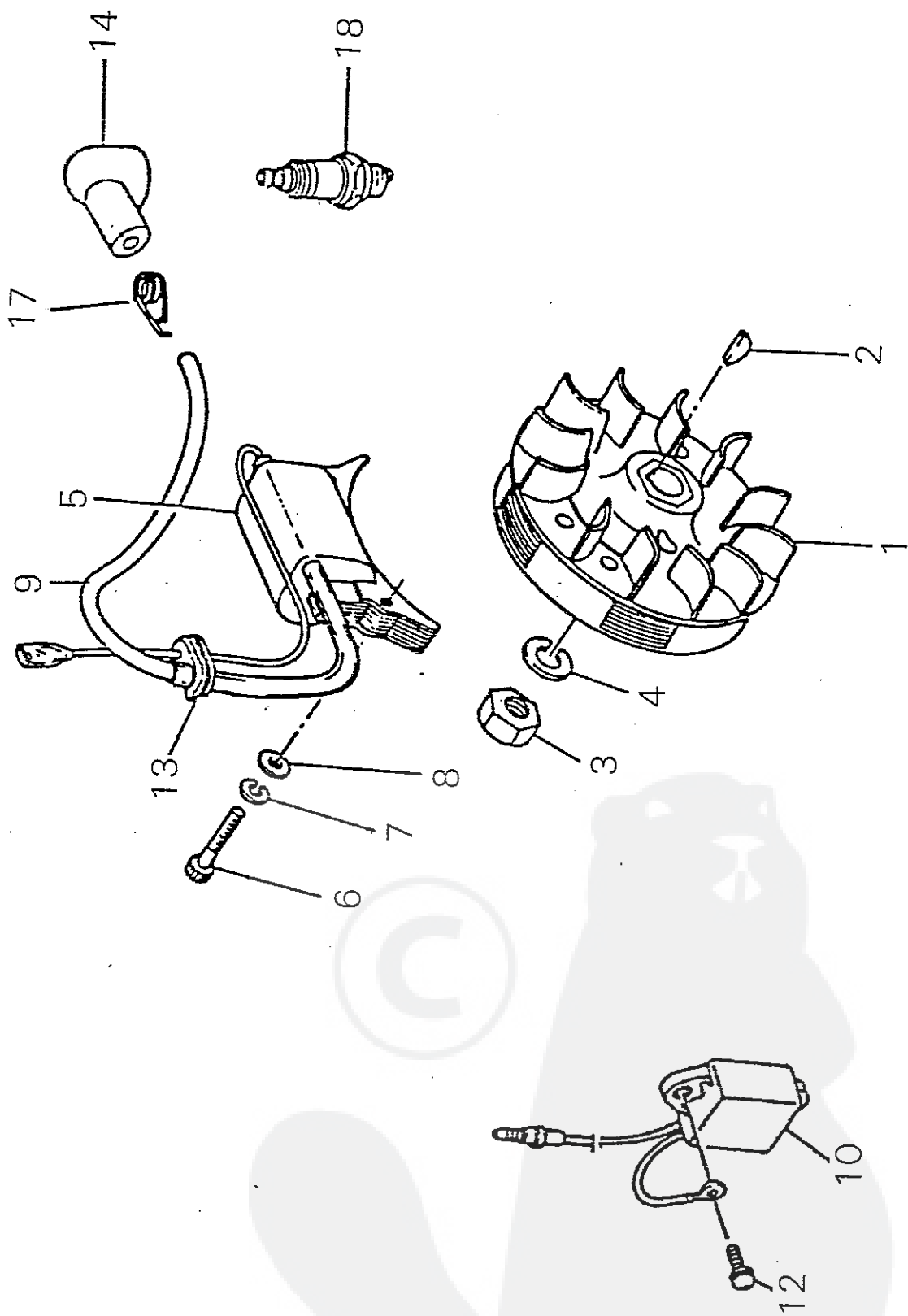


PRICE: (ST)

| Ref. No. | Part No.                                 | Part Name                      | Q'ty | Unit Price        | Remarks |
|----------|--|--------------------------------|------|-------------------|---------|
| 2-       | 70005-21002                              | CRANK CASE ASSY                | 1    | 8,650             |         |
| 1        | 70005-21112                              | • CRANK CASE S                 | 1    | 3,550             |         |
| 2        | 70005-21120                              | • CRANK CASE M                 | 1    | 3,650             |         |
| 3        | <del>129-2492-50100</del><br>20000-21140 | • DAWEL PIN                    | 4    | <del>200</del> 50 |         |
| 4        | 02030-06201                              | • BEARING                      | 2    | 280               |         |
| 5        | 20000-21211                              | • OIL SEAL                     | 2    | 270               |         |
| 6        | 01020-05250                              | • BOLT                         | 4    | 40                |         |
|          | 70005-31102                              | FAN COVER ASSY                 | 1    | 7,590             |         |
| 7        | 70005-31112                              | • FAN COVER                    | 1    | 4,480             |         |
| 8        | 02006-06001                              | • BEARING                      | 2    | 500               |         |
| 9        | 02432-28120                              | • SNAP RING                    | 1    | 40                |         |
| 10       | 20000-31122                              | • CLUTCH DRUM SET              | 1    | 3,200             |         |
| 11       | 20000-31140                              | • SNAP RING                    | 1    | 40                |         |
| 12       | 70005-31151                              | • NAME PLATE                   | 1    | 120               |         |
| 13       | 01213-05200                              | SCREW SW                       | 4    | 20                |         |
| 14       | 70005-31210                              | CYLINDER COVER                 | 1    | 740               |         |
| 15       | 01213-05120                              | SCREW SW                       | 2    | 20                |         |
| 16       | 20000-31300                              | PROTECTOR COMP                 | 1    | 380               |         |
| 17       | 20000-31330                              | SCREW                          | 3    | 20                |         |
| 18       | 20000-31342                              | PROTECTOR PLUG                 | 1    | 510               |         |
|          | 70005-31400                              | JOINT ASSY                     | 1    | 3,540             |         |
| 21       | 20000-31412                              | • JOINT                        | 1    | 2,680             |         |
| 22       | 70005-31420                              | • CAP JOINT                    | 1    | 860               |         |
| 23       | 20000-31432                              | CLAMP A                        | 1    | 280               |         |
| 24       | 20000-31442                              | CLAMP B                        | 1    | 220               |         |
| 25       | 01020-05250                              | BOLT                           | 2    | 40                |         |
| 26       | 01600-05131                              | SPRING WASHER                  | 2    | 10                |         |
| 27       | 01610-05080                              | WASHER                         | 2    | 10                |         |
| 28       | <del>11011-05200</del><br>01213-05160    | <del>BOLT SW</del><br>SCREW SW | 4    | <del>45</del> 20  |         |
| 29       | 20000-31510                              | EARTH SPRING                   | 1    | 90                |         |



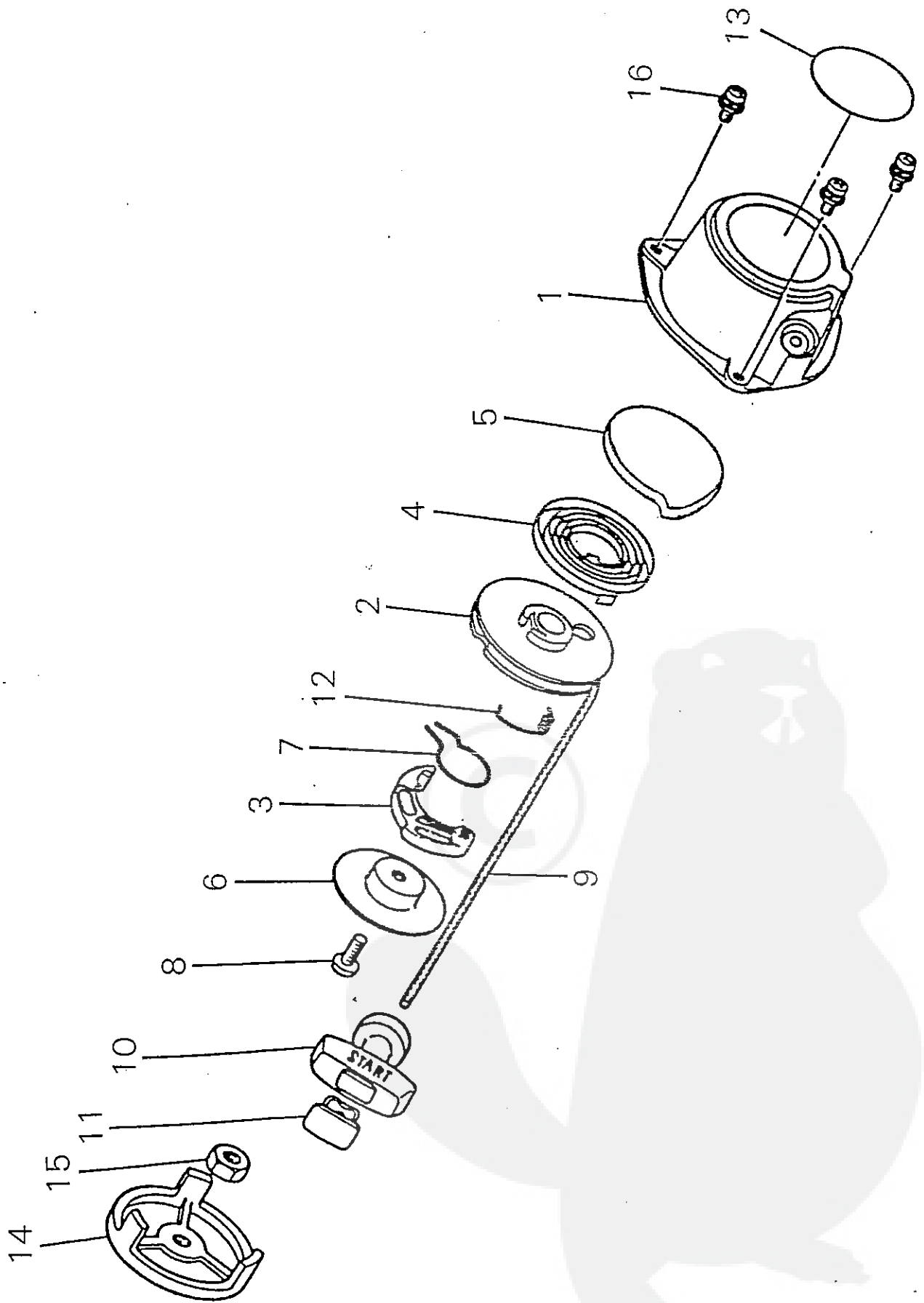






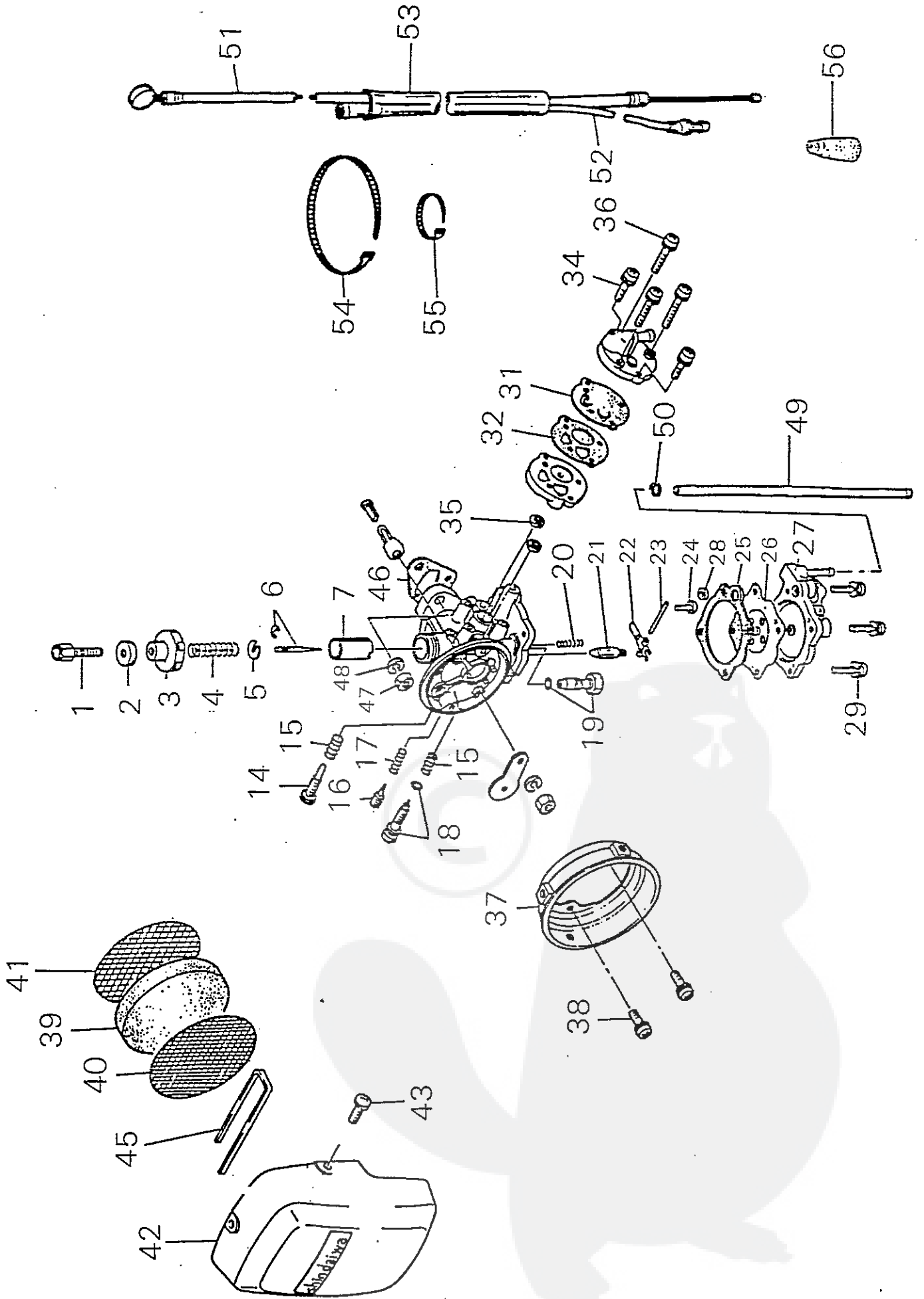
PRICE:(ST)

| Ref. No. | Part No.       | Part Name         | Qty | Unit Price | Remarks |
|----------|----------------|-------------------|-----|------------|---------|
| 4-       | 1 20000-71201  | ROTOR             | 1   | 5,950      |         |
|          | 2 22100-43210  | KEY               | 1   | 70         |         |
|          | 3 22100-43231  | NUT               | 1   | 30         |         |
|          | 4 01600-08201  | SPRING WASHER     | 1   | 20         |         |
|          | 5 70000-71612  | COIL              | 1   | 5,300      |         |
|          | 6 01020-04240  | BOLT              | 2   | 30         |         |
|          | 7 01600-04101  | SPRING WASHER     | 2   | 10         |         |
|          | 8 01610-04050  | WASHER            | 2   | 10         |         |
|          | 9 20000-71630  | TUBE              | 1   | 40         |         |
|          | 10 72920-71711 | UNIT              | 1   | 8,400      |         |
|          | 12 11207-04120 | SCREW PM SLPW     | 2   | 20         |         |
|          | 13 20000-72111 | GROMMET           | 1   | 140        |         |
|          | 14 22102-72220 | PLUG CAP          | 1   | 190        |         |
|          | 17 20000-72230 | SPRING SPARK PLUG | 1   | 110        |         |
|          | 18 CJ8         | SPARK PLAG        | 1   | 450        |         |
|          |                |                   |     |            |         |
|          |                |                   |     |            |         |
|          |                |                   |     |            |         |
|          |                |                   |     |            |         |
|          |                |                   |     |            |         |
|          |                |                   |     |            |         |
|          |                |                   |     |            |         |
|          |                |                   |     |            |         |
|          |                |                   |     |            |         |
|          |                |                   |     |            |         |
|          |                |                   |     |            |         |
|          |                |                   |     |            |         |
|          |                |                   |     |            |         |
|          |                |                   |     |            |         |
|          |                |                   |     |            |         |
|          |                |                   |     |            |         |
|          |                |                   |     |            |         |
|          |                |                   |     |            |         |
|          |                |                   |     |            |         |
|          |                |                   |     |            |         |
|          |                |                   |     |            |         |
|          |                |                   |     |            |         |
|          |                |                   |     |            |         |
|          |                |                   |     |            |         |
|          |                |                   |     |            |         |
|          |                |                   |     |            |         |
|          |                |                   |     |            |         |



PRICE:(ST)

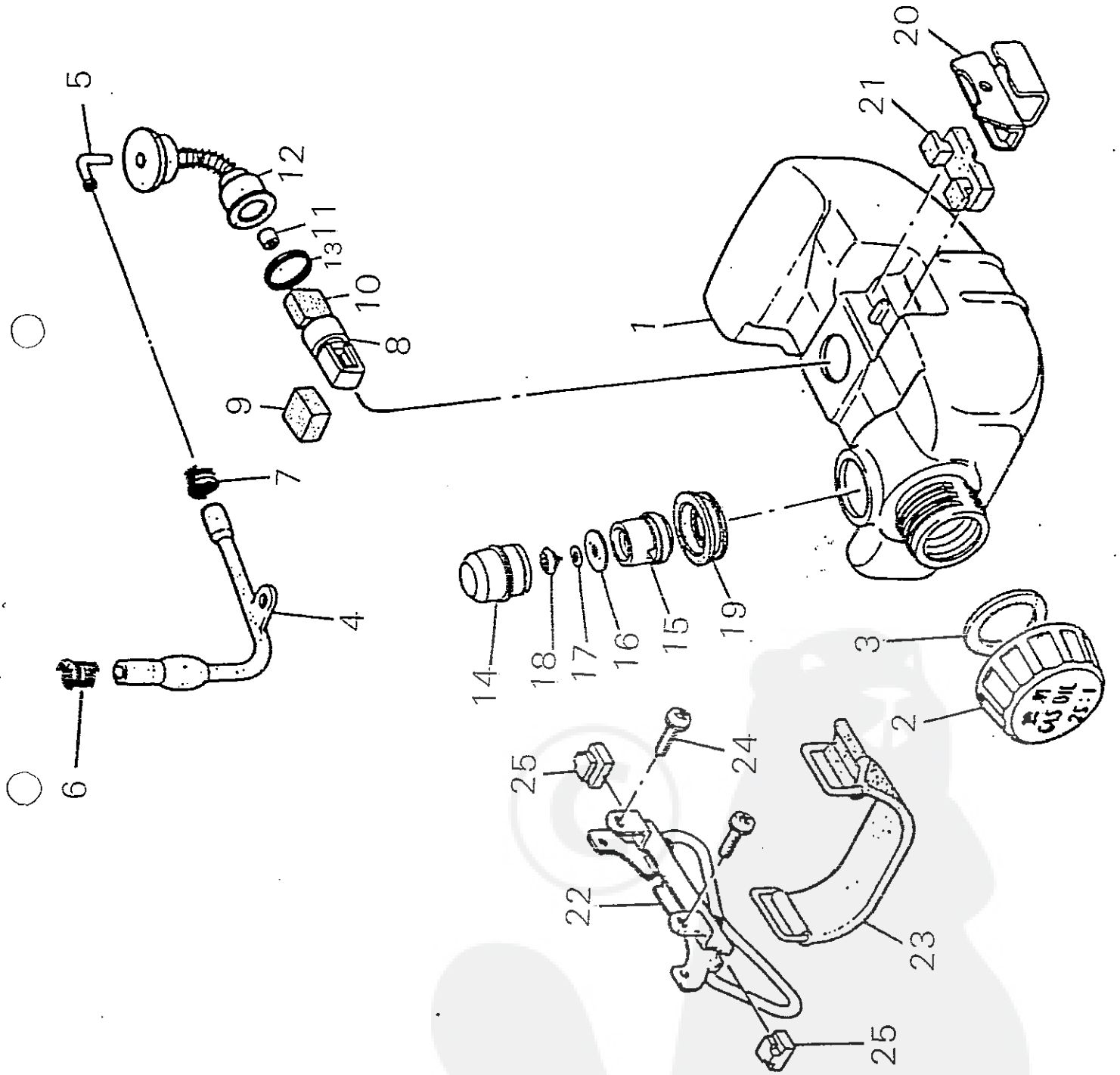
| Ref. No | Part No.    | Part Name                 | Qty | Unit Price | Remarks |
|---------|-------------|---------------------------|-----|------------|---------|
| 5-      | 70005-75000 | RECOIL STARTER ASSY #     | 1   | 4,900      |         |
|         | 70005-75100 | • RECOIL STARTER SUB ASSY | 1   | 4,350      |         |
| 1       | 70005-75110 | •• STARTER CASE           | 1   | 1,180      |         |
| 2       | 20000-75120 | •• REEL                   | 1   | 760        |         |
| 3       | 20000-75130 | •• RATCHET                | 1   | 110        |         |
|         | 20000-75149 | •• RECOIL SPRING SUB ASSY | 1   | 770        |         |
| 4       | 20000-75140 | ∴ RECOIL SPRING           | 1   | 640        |         |
| 5       | 20000-75145 | ∴ SPRING CASE             | 1   | 220        |         |
| 6       | 20000-75150 | •• PLATE FRICTION         | 1   | 320        |         |
| 7       | 20000-75160 | •• SPRING FRICTION        | 1   | 160        |         |
| 8       | 20000-75170 | •• SCREW                  | 1   | 30         |         |
| 9       | 20000-75180 | •• ROPE                   | 1   | 330        |         |
| 10      | 20000-75190 | •• KNOB STARTER           | 1   | 450        |         |
| 11      | 20000-75210 | •• CAP KNOB               | 1   | 90         |         |
| 12      | 20000-75220 | •• RETURN SPRING          | 1   | 130        |         |
| 13      | 70005-75240 | •• NAME PLATE             | 1   | 150        |         |
| 14      | 70000-75230 | • STARTER PULLY           | 1   | 530        |         |
| 15      | 20000-76210 | NUT                       | 1   | 30         |         |
| 16      | 01213-05160 | SCREW SW                  | 3   | 20         |         |
|         |             |                           |     |            |         |
|         |             |                           |     |            |         |
|         |             |                           |     |            |         |
|         |             |                           |     |            |         |
|         |             |                           |     |            |         |
|         |             |                           |     |            |         |
|         |             |                           |     |            |         |
|         |             |                           |     |            |         |
|         |             |                           |     |            |         |
|         |             |                           |     |            |         |
|         |             |                           |     |            |         |
|         |             |                           |     |            |         |
|         |             |                           |     |            |         |
|         |             |                           |     |            |         |
|         |             |                           |     |            |         |
|         |             |                           |     |            |         |
|         |             |                           |     |            |         |
|         |             |                           |     |            |         |
|         |             |                           |     |            |         |
|         |             |                           |     |            |         |
|         |             |                           |     |            |         |
|         |             |                           |     |            |         |
|         |             |                           |     |            |         |



## PRICE: (ST)

| Ref. No. | Part No.    | Part Name              | Qty | Unit Price | Remarks |
|----------|-------------|------------------------|-----|------------|---------|
| 6-       | 20000-81004 | CARBURETOR ASSY        | 1   | 9,950      |         |
| 1        | 20000-81110 | • CABLE ADJUSTER       | 1   | 340        |         |
| 2        | 20000-81120 | • LOCK NUT             | 1   | 70         |         |
| 3        | 20000-81130 | • BODY CAP             | 1   | 450        |         |
| 4        | 20000-81140 | • SPRING THROTTLE      | 1   | 120        |         |
| 5        | 20000-81150 | • SPRING RECEIVE       | 1   | 60         |         |
| 6        | 20000-81171 | • JET NEEDLE           | 1   | 570        |         |
| 7        | 20000-81181 | • THROTTLE VALVE       | 1   | 1,030      |         |
| 14       | 20000-81310 | • SLOW STOP SCREW      | 1   | 170        |         |
| 15       | 20000-81320 | • SPRING               | 2   | 50         |         |
| 16       | 20000-81330 | • SLOW AIR SCREW       | 1   | 280        |         |
| 17       | 20000-81340 | • SPRING               | 1   | 50         |         |
| 18       | 20000-81350 | • ADJUST SCREW         | 1   | 530        |         |
| 19       | 20000-81410 | • NEEDLE JET           | 1   | 780        |         |
| 20       | 20000-81430 | • SPRING LEVER         | 1   | 150        |         |
| 21       | 20000-81441 | • NEEDLE VALVE         | 1   | 750        |         |
| 22       | 20000-81450 | • LEVER                | 1   | 170        |         |
| 23       | 20000-81460 | • PIN                  | 1   | 120        |         |
| 24       | 20000-81470 | • SCREW                | 1   | 40         |         |
| 25       | 20000-81511 | • GASKET               | 1   | 190        |         |
| 26       | 20000-81521 | • DIAPHRAGM            | 1   | 1,060      |         |
| 27       | 20000-81531 | • COVER DIAPHRAGM      | 1   | 1,200      |         |
| 28       | 20000-81550 | • SEAT                 | 1   | 90         |         |
| 29       | 20000-81650 | • SCREW                | 4   | 30         |         |
|          | 20000-81600 | • FUEL PUMP ASSY       | 1   | 3,000      |         |
| 31       | 20000-81620 | •• DIAPHRAGM           | 1   | 680        |         |
| 32       | 20000-81630 | •• GASKET              | 1   | 110        |         |
| 34       | 20000-81650 | •• SCREW               | 2   | 30         |         |
| 35       | 20000-81660 | •• GASKET              | 2   | 110        |         |
| 36       | 20000-81670 | •• SCREW               | 3   | 30         |         |
|          | 20010-81701 | • AIR CLEANER SUB ASSY | 1   | 1,960      |         |
| 37       | 20010-81711 | •• CLEANER BODY        | 1   | 430        |         |
| 38       | 20000-81735 | •• SCREW               | 2   | 40         |         |
| 39       | 20000-81740 | •• FILTER              | 1   | 190        |         |
| 40       | 20000-81750 | •• NET A               | 1   | 150        |         |
| 41       | 20010-81760 | •• NET B               | 1   | 490        |         |
| 42       | 20010-81771 | •• CLEANER COVER       | 1   | 530        |         |
| 43       | 20000-81735 | •• SCREW               | 3   | 40         |         |

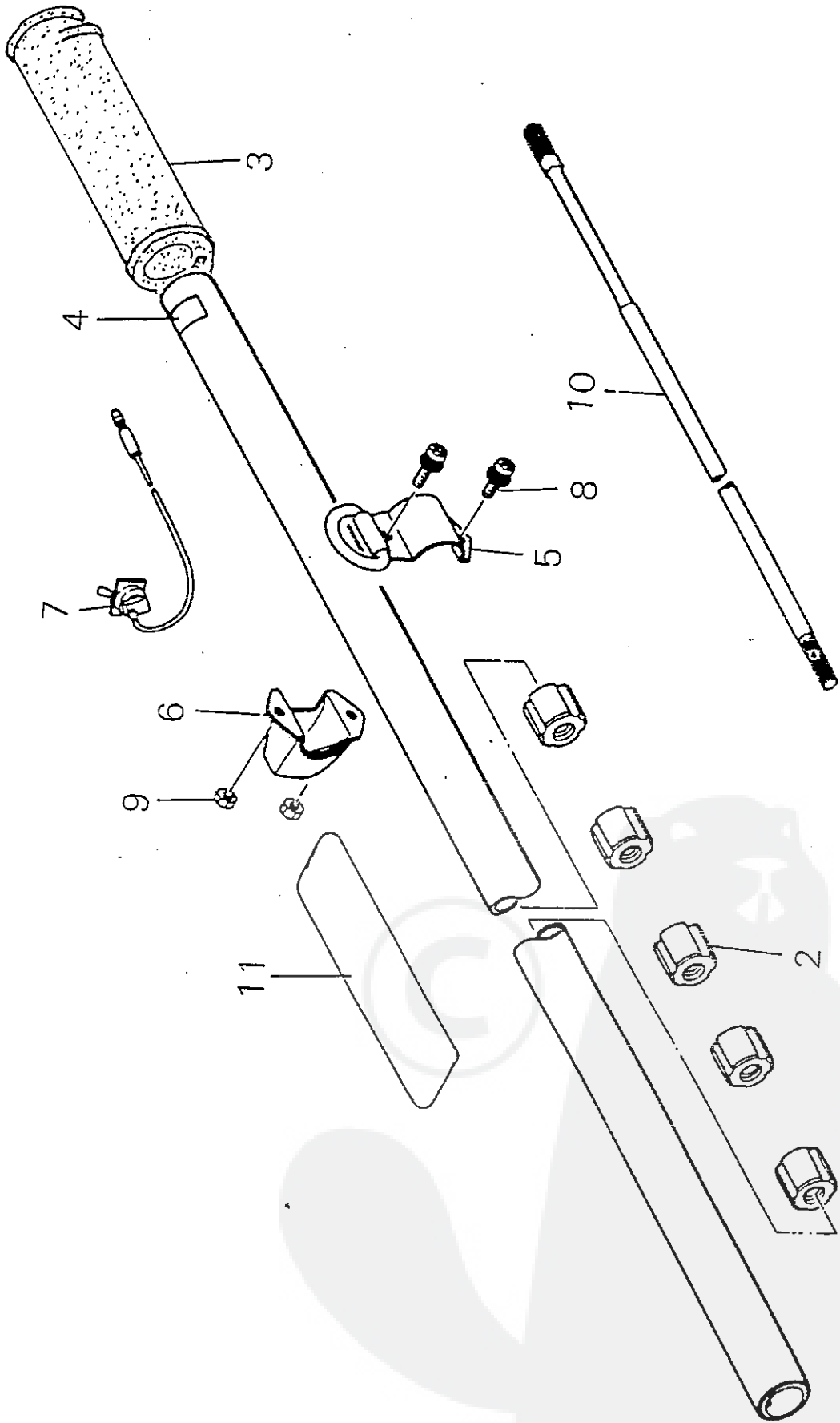




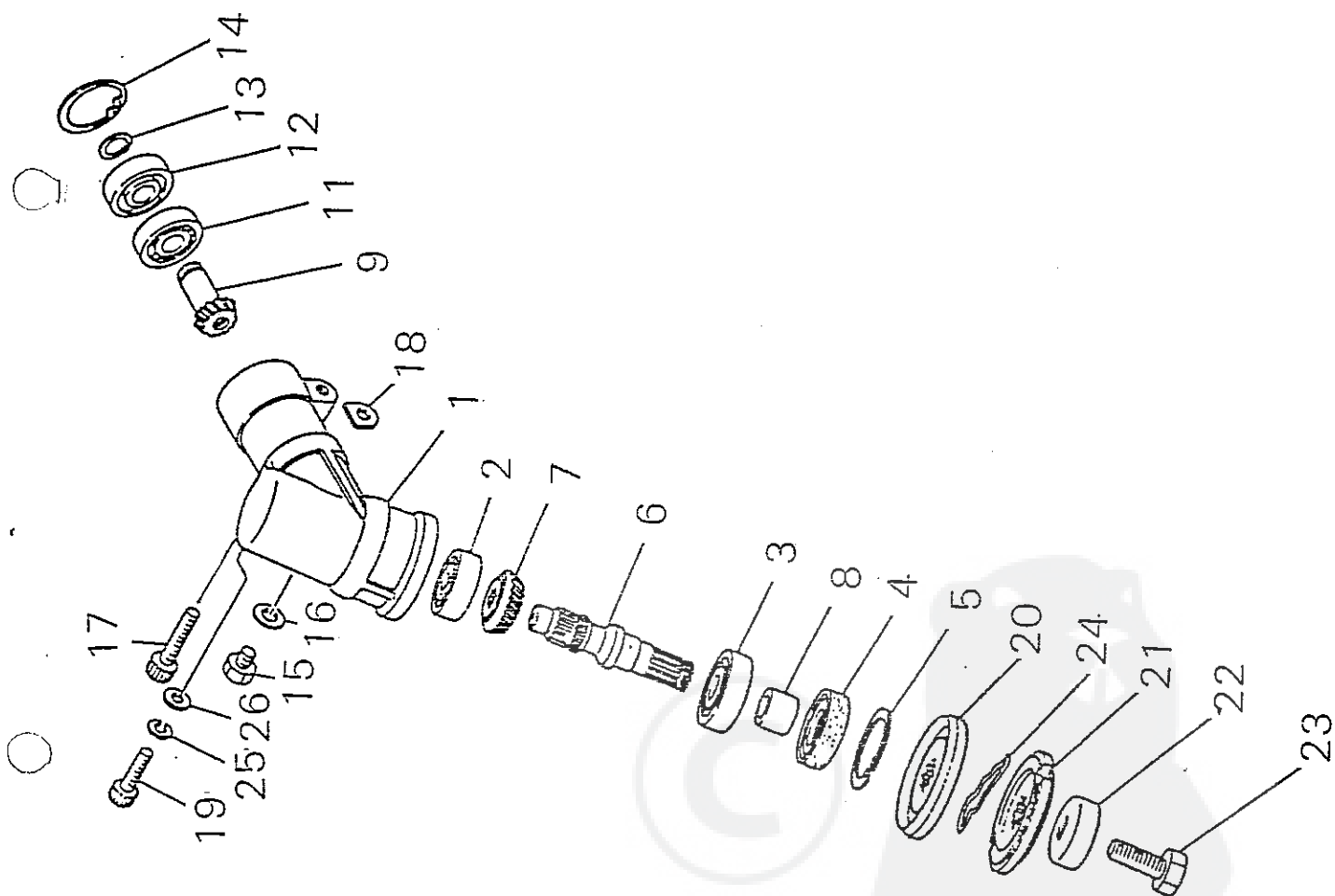
PRICE:(ST)

| Ref. No | Part No.    | Part Name            | Q'ty | Unit Price | Remarks |
|---------|-------------|----------------------|------|------------|---------|
| 7-      | 20000-85007 | FUEL TANK ASSY       | 1    | 5,100      |         |
| 1       | 20000-85113 | FUEL TANK            | 1    | 1,700      |         |
|         | 20000-85200 | FUEL CAP ASSY        | 1    | 210        |         |
| 2       | 20000-85210 | FUEL CAP             | 1    | 160        |         |
| 3       | 20000-85220 | GASKET FUEL          | 1    | 60         |         |
|         | 20000-85303 | FUEL PIPE SUB ASSY   | 1    | 750        |         |
| 4       | 20000-85313 | FUEL PIPE            | 1    | 370        |         |
| 5       | 20000-85321 | JOINT PIPE           | 1    | 130        |         |
| 6       | 20000-85340 | CLAMP A              | 1    | 60         |         |
| 7       | 20000-85350 | CLAMP B              | 1    | 30         |         |
|         | 20011-85400 | FUEL FILTER SUB ASSY | 1    | 1,680      |         |
| 8       | 22100-85411 | WEIGHT FUEL          | 1    | 340        |         |
| 9       | 22100-85420 | FILTER A             | 1    | 90         |         |
| 10      | 22100-85431 | FILTER B             | 1    | 70         |         |
| 11      | 20000-85440 | CHAKE VALVE          | 1    | 540        |         |
| 12      | 20011-85450 | SUCTION PIPE         | 1    | 620        |         |
| 13      | 22102-85440 | CLIP                 | 1    | 40         |         |
|         | 20000-85500 | BREATHER SUB ASSY    | 1    | 680        |         |
| 14      | 20000-85511 | CAP BREATHER         | 1    | 70         |         |
| 15      | 20000-85521 | HOLDER VALVE         | 1    | 100        |         |
| 16      | 22100-85240 | RETAINER FUEL        | 1    | 50         |         |
| 17      | 22100-85250 | WASHER FUEL          | 1    | 20         |         |
| 18      | 22100-85260 | VALVE FUEL           | 1    | 470        |         |
| 19      | 20000-85579 | GROMMET BREATHER     | 1    | 90         |         |
| 20      | 70000-86111 | RETAINER TANK        | 1    | 240        |         |
| 21      | 20000-86122 | CUSHION A            | 4    | 120        |         |
| 22      | 20000-86151 | STAND                | 1    | 1,260      |         |
| 23      | 20000-86160 | BAND                 | 1    | 390        |         |
| 24      | 01213-05120 | SCREW SW             | 2    | 20         |         |
| 25      | 20000-86170 | CUSHION B            | 2    | 70         |         |
|         |             |                      |      |            |         |
|         |             |                      |      |            |         |
|         |             |                      |      |            |         |
|         |             |                      |      |            |         |
|         |             |                      |      |            |         |
|         |             |                      |      |            |         |
|         |             |                      |      |            |         |
|         |             |                      |      |            |         |
|         |             |                      |      |            |         |
|         |             |                      |      |            |         |



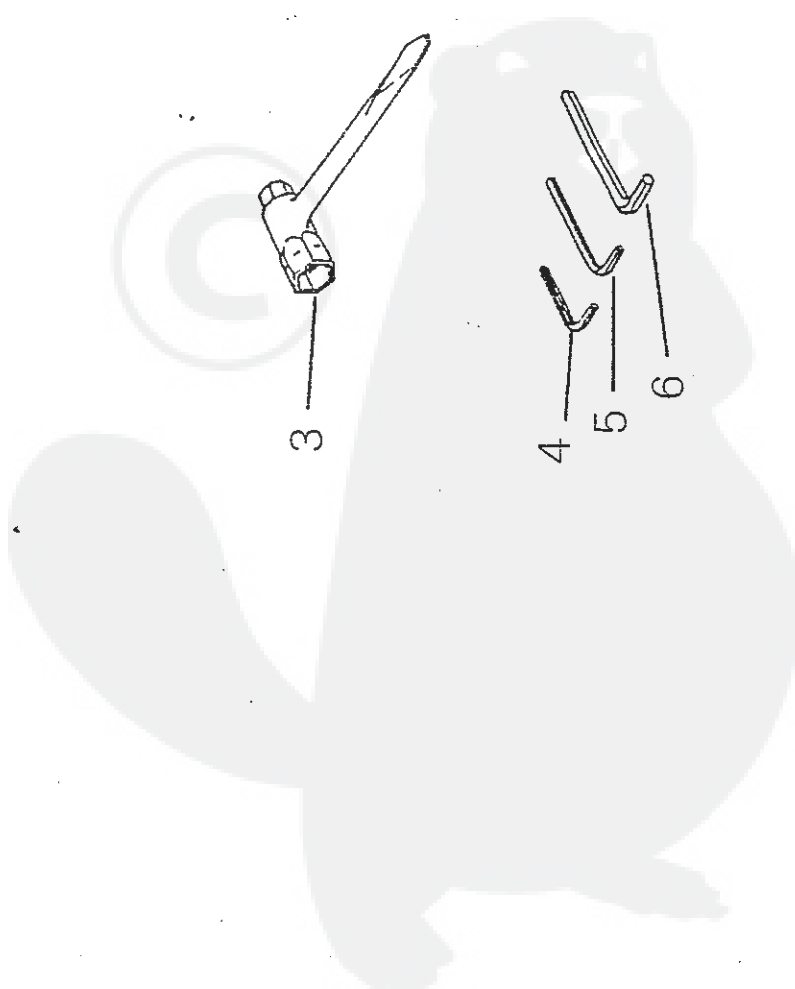
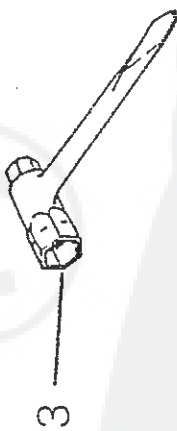
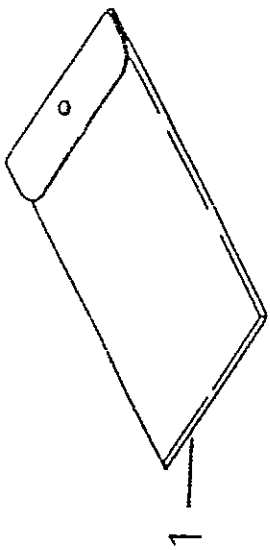
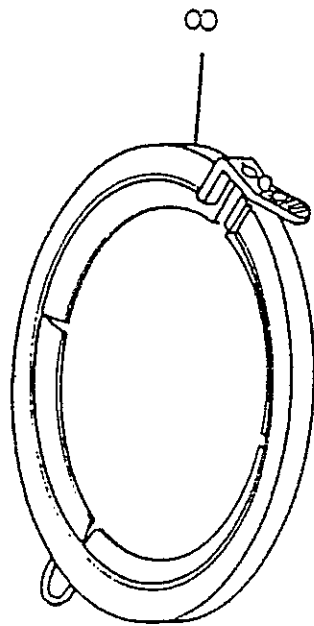
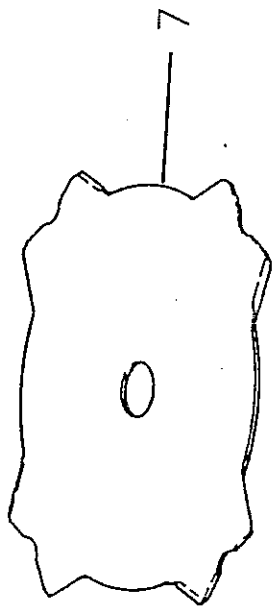
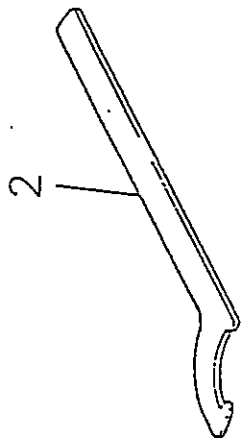






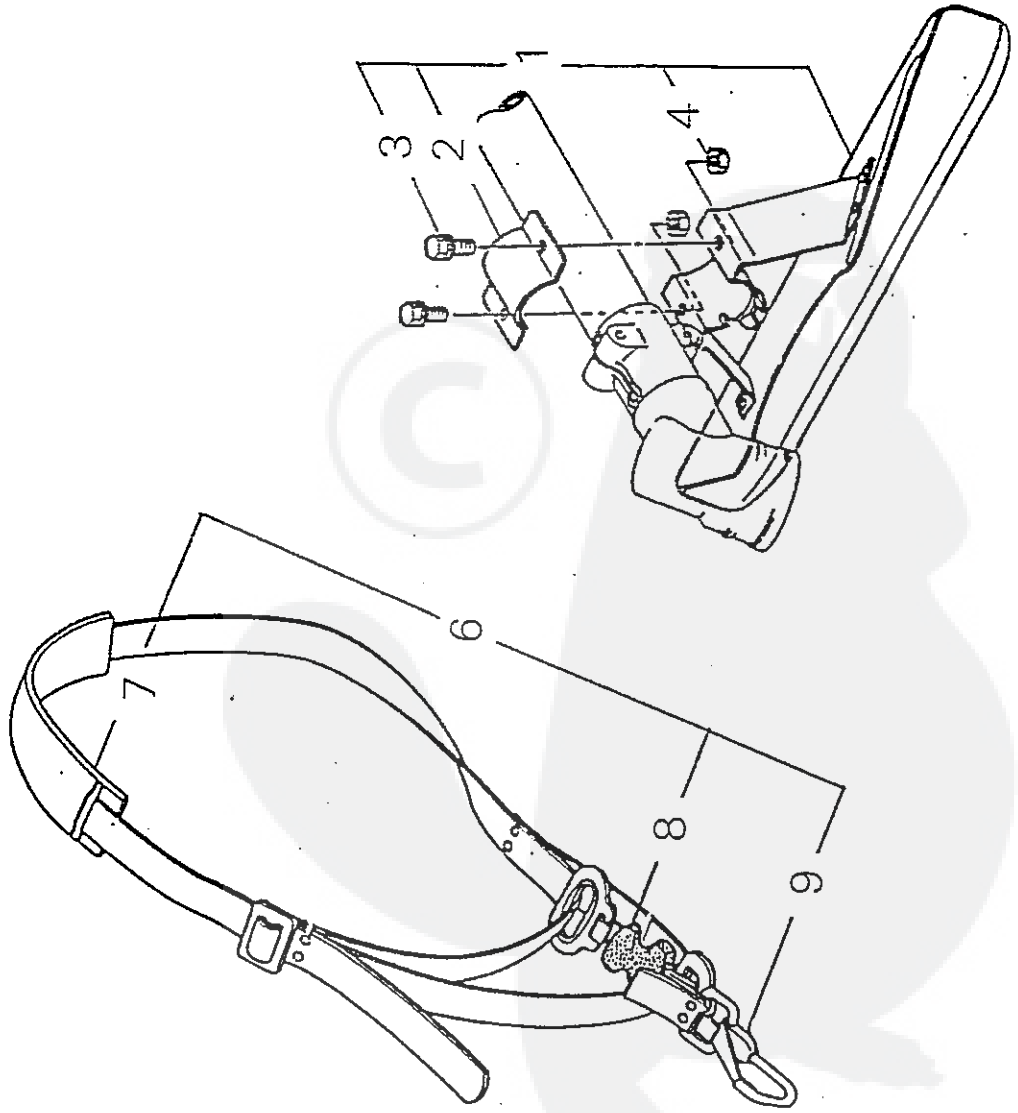
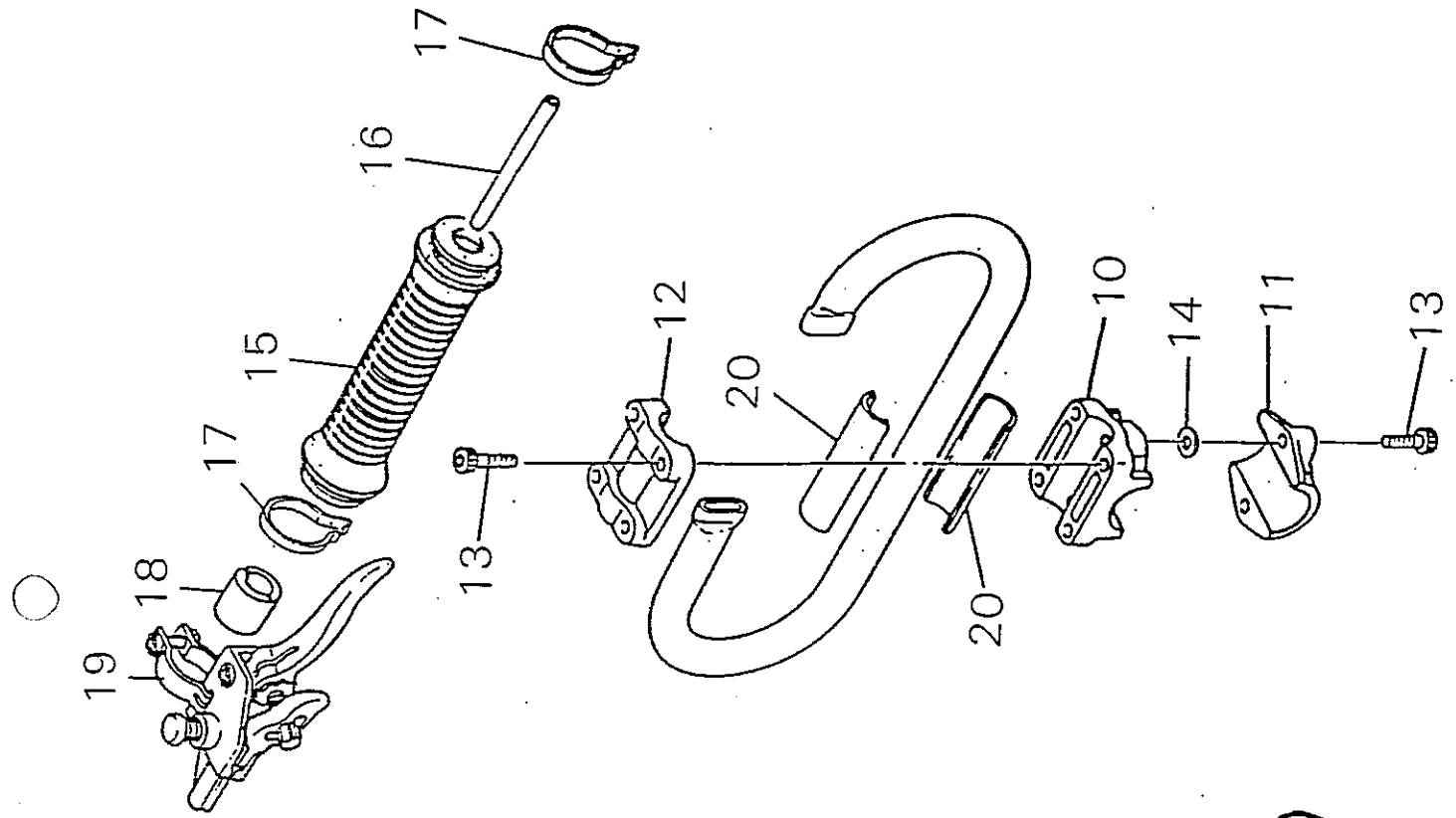
PRICE:(ST)

| Ref. No | Part No.    | Part Name          | Qty | Unit Price | Remarks |
|---------|-------------|--------------------|-----|------------|---------|
| 9-      | 72005-13001 | GEAR CASE ASSY     | 1   | 16,400     |         |
| 1       | 72005-13110 | • GEAR CASE        | 1   | 3,530      |         |
| 2       | 02006-06000 | • BEARING          | 1   | 480        |         |
| 3       | 02000-06201 | • BEARING          | 1   | 300        |         |
| 4       | 22000-13120 | • OIL SEAL         | 1   | 340        |         |
| 5       | 02432-32120 | • SNAP RING        | 1   | 40         |         |
| 6       | 22000-13212 | • GEAR SHAFT       | 1   | 2,460      |         |
| 7       | 22000-13220 | • BEVEL GEAR       | 1   | 2,030      |         |
| 8       | 22000-13230 | • COLLAR           | 1   | 270        |         |
| 9       | 22000-13390 | • BEVEL PINION SET | 1   | 2,570      |         |
| 11      | 02000-06000 | • BEARING          | 1   | 320        |         |
| 12      | 02002-06000 | • BEARING          | 1   | 430        |         |
| 13      | 22000-13320 | • SNAP RING        | 1   | 40         |         |
| 14      | 02432-26120 | • SNAP RING        | 1   | 40         |         |
| 15      | 22015-13410 | • BOLT             | 1   | 60         |         |
| 16      | 22015-13420 | • GASKET           | 1   | 30         |         |
| 17      | 01020-05120 | • BOLT             | 1   | 30         |         |
| 25      | 01600-05131 | • SPRING WASHER    | 1   | 10         |         |
| 26      | 01610-05080 | • WASHER           | 1   | 10         |         |
| 18      | 22011-13450 | • SHIM             | 1   | 20         |         |
| 19      | 11022-06280 | • BOLT SPW         | 1   | 80         |         |
| 20      | 22000-13241 | • HOLDER A         | 1   | 1,250      |         |
| 21      | 22000-13252 | • HOLDER B         | 1   | 1,250      |         |
| 22      | 22000-13290 | • BOLT GUARD       | 1   | 160        |         |
| 23      | 22000-13512 | • BOLT             | 1   | 140        |         |
| 24      | 22000-13530 | • SLIDE PIN        | 1   | 130        |         |
|         |             |                    |     |            |         |
|         |             |                    |     |            |         |
|         |             |                    |     |            |         |
|         |             |                    |     |            |         |
|         |             |                    |     |            |         |
|         |             |                    |     |            |         |
|         |             |                    |     |            |         |
|         |             |                    |     |            |         |
|         |             |                    |     |            |         |
|         |             |                    |     |            |         |
|         |             |                    |     |            |         |
|         |             |                    |     |            |         |
|         |             |                    |     |            |         |
|         |             |                    |     |            |         |



PRICE:(ST)

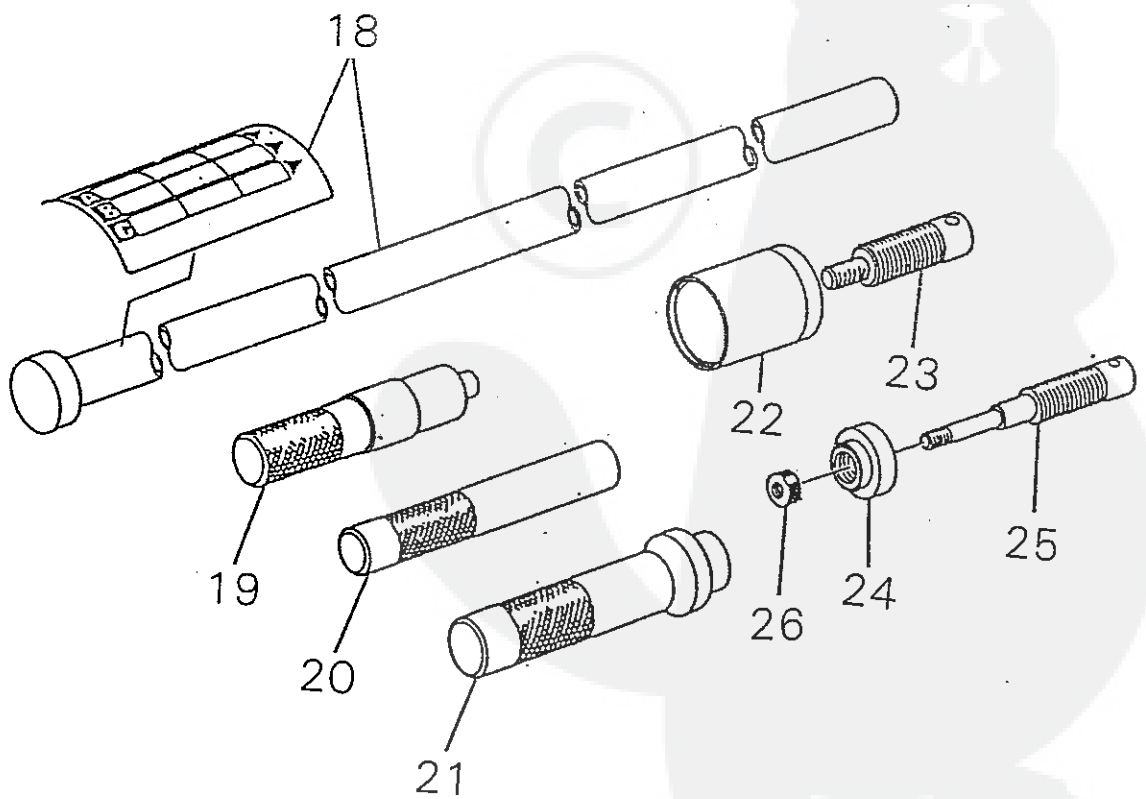
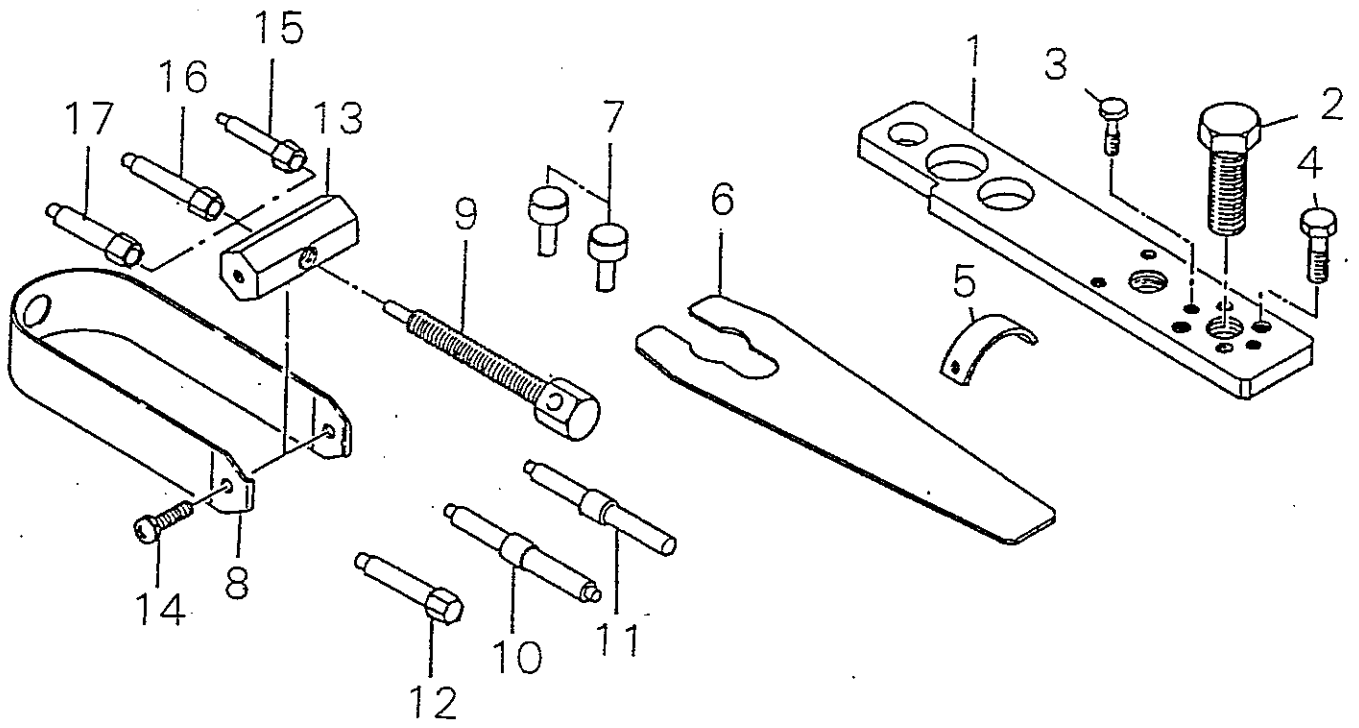
| Ref. No. | Part No.               | Part Name                     | Q'ty | Unit Price                | Remarks |
|----------|------------------------|-------------------------------|------|---------------------------|---------|
| 10-      | 72005-91000            | TOOL SET                      | 1    | 1,420                     |         |
| 1        | <del>72005-91110</del> | • TOOL BAG                    | 1    | 200                       |         |
| 2        | 22013-97130            | • HOOK SPANNER                | 1    | 390                       |         |
| 3        | 22000-91181            | • PLUG WRENCH                 | 1    | 530                       |         |
| 4        | 22100-91551            | • WRENCH 3 <i>HEXA WRENCH</i> | 1    | 80                        |         |
| 5        | 22100-91561            | • WRENCH 4                    | 1    | 90                        |         |
| 6        | 22011-91570            | • WRENCH 5                    | 1    | <i>210</i> <del>110</del> |         |
| 7        | 22055-92164            | CROSS SAW                     | 1    | 710                       |         |
| 8        | <del>22035-92710</del> | <i>BLADE</i> SAW COVER        | 1    | 490                       |         |
|          |                        |                               |      |                           |         |
|          |                        |                               |      |                           |         |
|          |                        |                               |      |                           |         |
|          |                        |                               |      |                           |         |
|          |                        |                               |      |                           |         |
|          |                        |                               |      |                           |         |
|          |                        |                               |      |                           |         |
|          |                        |                               |      |                           |         |
|          |                        |                               |      |                           |         |
|          |                        |                               |      |                           |         |
|          |                        |                               |      |                           |         |
|          |                        |                               |      |                           |         |
|          |                        |                               |      |                           |         |
|          |                        |                               |      |                           |         |
|          |                        |                               |      |                           |         |
|          |                        |                               |      |                           |         |
|          |                        |                               |      |                           |         |
|          |                        |                               |      |                           |         |
|          |                        |                               |      |                           |         |
|          |                        |                               |      |                           |         |
|          |                        |                               |      |                           |         |
|          |                        |                               |      |                           |         |
|          |                        |                               |      |                           |         |
|          |                        |                               |      |                           |         |
|          |                        |                               |      |                           |         |
|          |                        |                               |      |                           |         |
|          |                        |                               |      |                           |         |
|          |                        |                               |      |                           |         |
|          |                        |                               |      |                           |         |
|          |                        |                               |      |                           |         |
|          |                        |                               |      |                           |         |
|          |                        |                               |      |                           |         |
|          |                        |                               |      |                           |         |
|          |                        |                               |      |                           |         |
|          |                        |                               |      |                           |         |



PRICE: (ST)

| Ref. No. | Part No.      | Part Name               | Qty | Unit Price | Remarks |
|----------|---------------|-------------------------|-----|------------|---------|
| 11-      | 1 22011-16102 | GUARD ASSY              | 1   | 2,730      |         |
|          | 2 22000-16122 | • GUARD CLAMP           | 1   | 220        |         |
|          | 3 11022-05120 | • BOLT SPW              | 2   | 40         |         |
|          | 4 01500-05041 | • NUT                   | 2   | 10         |         |
|          | 6 72007-17202 | STRAP ASSY              | 1   | 2,950      |         |
|          | 7 22007-17220 | • PROTECTOR             | 1   | 310        |         |
|          | 8 22011-17261 | • CUSHION HARNESS       | 1   | 510        |         |
|          | 9 22000-17130 | • HOOK                  | 1   | 510        |         |
|          | 72091-14100   | BRACKET SUB ASSY        | 1   | 2,050      |         |
| 10       | 72051-14110   | • HANDLE BRACKET        | 1   | 750        |         |
| 11       | 72051-14120   | • LOWER CAP             | 1   | 430        |         |
| 12       | 72051-14131   | • UPPER CAP             | 1   | 490        |         |
| 13       | 11022-05250   | • BOLT SPW              | 6   | 50         |         |
| 14       | 01610-05080   | • WASHER                | 1   | 10         |         |
|          | 22042-14200   | HANDLE SUB ASSY         | 1   | 4,700      |         |
| 15       | 22000-14220   | • GRIP HANDLE           | 1   | 530        |         |
| 16       | 22000-14230   | • CORE GRIP             | 1   | 70         |         |
| 17       | 22000-14241   | • BAND GRIP             | 2   | 90         |         |
| 18       | 22000-14250   | • COLLAR THROTTLE LEVER | 1   | 60         |         |
| 19       | 22011-14440   | • THROTTLE LEVER        | 1   | 1,550      |         |
| 20       | 22042-14260   | • SPACER                | 2   | 80         |         |
|          |               |                         |     |            |         |
|          |               |                         |     |            |         |
|          |               |                         |     |            |         |
|          |               |                         |     |            |         |
|          |               |                         |     |            |         |
|          |               |                         |     |            |         |
|          |               |                         |     |            |         |
|          |               |                         |     |            |         |
|          |               |                         |     |            |         |
|          |               |                         |     |            |         |
|          |               |                         |     |            |         |
|          |               |                         |     |            |         |
|          |               |                         |     |            |         |
|          |               |                         |     |            |         |
|          |               |                         |     |            |         |
|          |               |                         |     |            |         |
|          |               |                         |     |            |         |
|          |               |                         |     |            |         |
|          |               |                         |     |            |         |
|          |               |                         |     |            |         |
|          |               |                         |     |            |         |
|          |               |                         |     |            |         |
|          |               |                         |     |            |         |
|          |               |                         |     |            |         |
|          |               |                         |     |            |         |
|          |               |                         |     |            |         |
|          |               |                         |     |            |         |
|          |               |                         |     |            |         |
|          |               |                         |     |            |         |
|          |               |                         |     |            |         |
|          |               |                         |     |            |         |
|          |               |                         |     |            |         |
|          |               |                         |     |            |         |
|          |               |                         |     |            |         |
|          |               |                         |     |            |         |
|          |               |                         |     |            |         |
|          |               |                         |     |            |         |
|          |               |                         |     |            |         |





PRICE:(ST)

| Ref. No. | Part No.    | Part Name          | Q'ty | Unit Price                        | Remarks |
|----------|-------------|--------------------|------|-----------------------------------|---------|
| 12-      | 20021-96001 | OPTION TOOL SET #  | 1    | 13,700                            |         |
|          | 20000-96104 | • PULLER ASSY      | 1    | 5,080                             |         |
| 1        | 20000-96114 | •• LEVER           | 1    | 3,850                             |         |
| 2        | 22100-96121 | •• CENTER BOLT     | 1    | 620                               |         |
| 3        | 20000-96130 | •• BOLT            | 3    | 130                               |         |
| 4        | 20000-96140 | •• BOLT            | 2    | 170                               |         |
| 5        | 20000-96210 | •• AIR GAP GAUGE   | 1    | 310                               |         |
| 6        | 20000-96411 | • ROTOR SPANNER    | 1    | 1,350                             |         |
| 7        | 20021-96420 | • STOPPER          | 2    | 190                               |         |
|          | 20021-96601 | • PULLER ASSY      | 1    | 6,680                             |         |
| 8        | 20021-96611 | •• PULLER          | 1    | 320                               |         |
| 9        | 20021-96621 | •• BOLT            | 1    | 2,350                             |         |
| 10       | 20000-96631 | •• GUIDE PIN       | 1    | 560                               |         |
| 11       | 20035-96630 | •• GUIDE PIN       | 1    | 460                               |         |
| 12       | 20021-96630 | •• GUIDE PIN       | 1    | 420                               |         |
| 13       | 20000-96640 | •• BOSS            | 1    | 560                               |         |
| 14       | 01211-06120 | •• SCREW           | 2    | 20                                |         |
| 15       | 20021-96650 | •• PIN ADAPTER     | 1    | 590                               |         |
| 16       | 20021-96660 | •• PIN ADAPTER     | 1    | 660                               |         |
| 17       | 20021-96670 | •• PIN ADAPTER     | 1    | 720                               |         |
|          | 22000-96003 | OPTION TOOL SET #  | 1    | 17,200                            |         |
| 18       | 22000-96101 | • ROD BUSHING ASSY | 1    | 8,560                             |         |
| 19       | 22000-96210 | • ROD 6000DDU      | 1    | 1,820                             |         |
| 20       | 22000-96310 | • ROD 6000ZZ       | 1    | 1,250                             |         |
| 21       | 22000-96410 | • ROD 6201         | 1    | 2,720                             |         |
|          | 22000-96501 | • PULLER ASSY      | 1    | 1,720                             |         |
| 22       | 22000-96510 | •• HOLDER          | 1    | <del>4,410</del> <sup>4,140</sup> |         |
| 23       | 22000-96521 | •• BOLT            | 1    | 410                               |         |
|          | 22000-96600 | • PULLER SUB ASSY  | 1    | 1,200                             |         |
| 24       | 22000-96610 | •• HOLDER          | 1    | 1,280                             |         |
| 25       | 22000-96621 | •• BOLT            | 1    | 710                               |         |
| 26       | 22000-96630 | •• NUT             | 1    | 90                                |         |
|          |             |                    |      |                                   |         |
|          |             |                    |      |                                   |         |
|          |             |                    |      |                                   |         |
|          |             |                    |      |                                   |         |
|          |             |                    |      |                                   |         |
|          |             |                    |      |                                   |         |
|          |             |                    |      |                                   |         |
|          |             |                    |      |                                   |         |
|          |             |                    |      |                                   |         |
|          |             |                    |      |                                   |         |