

shindaiwa

PARTS PRICE LIST

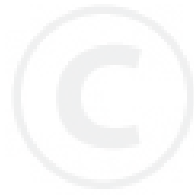
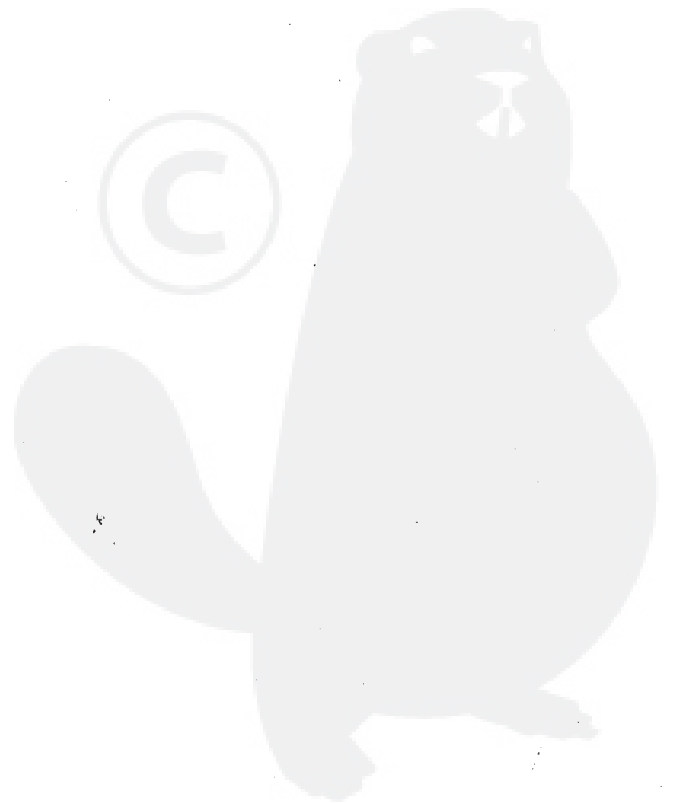
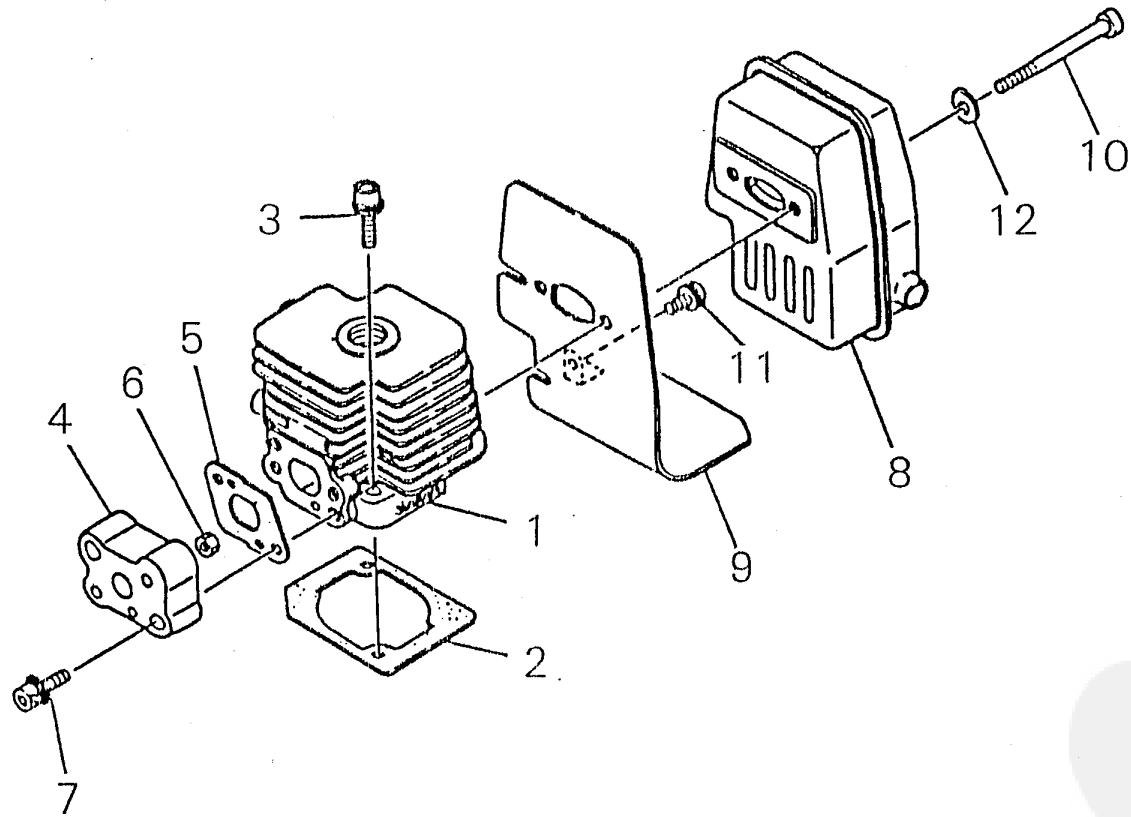
T 2 3

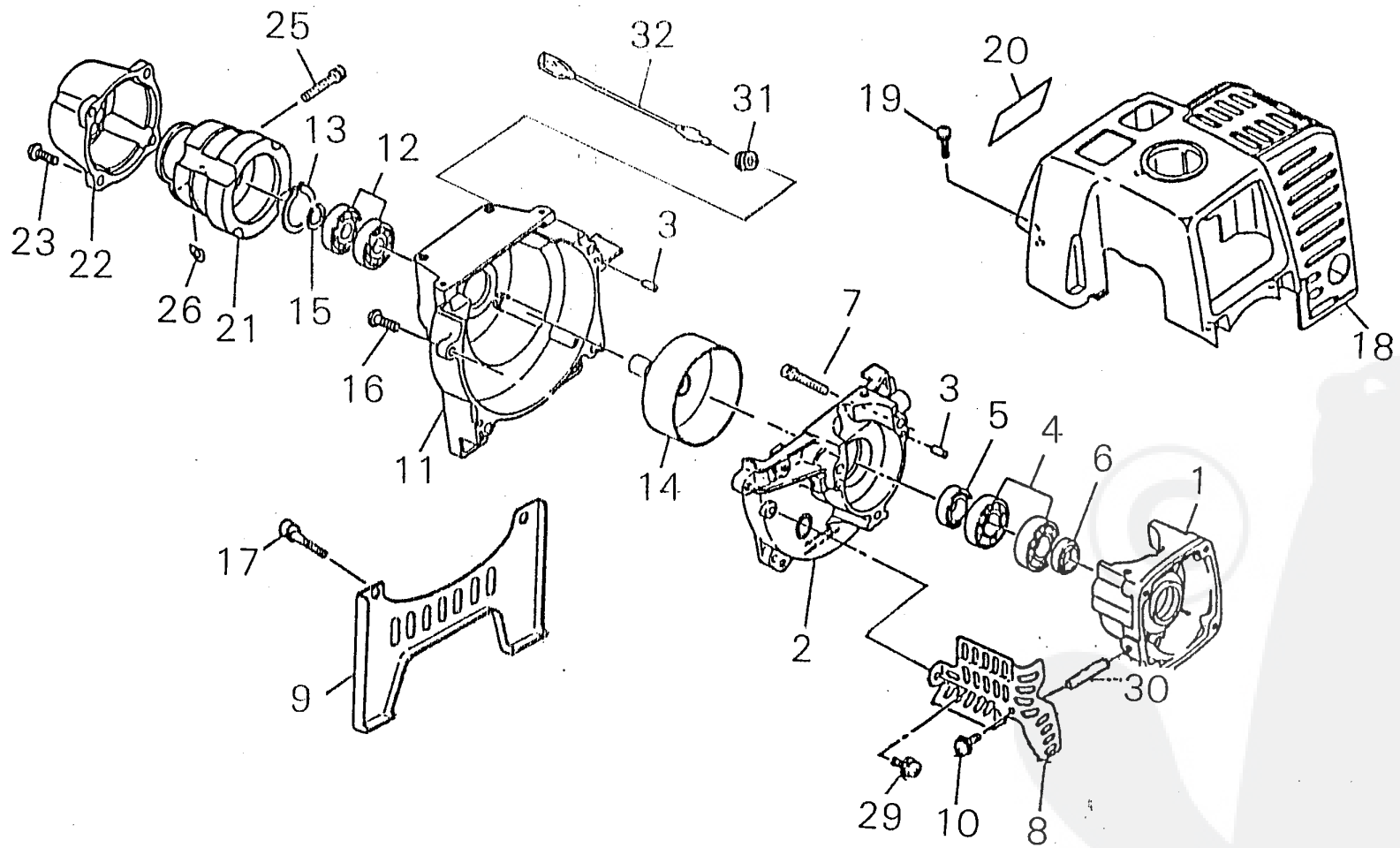


SHIN-DAIWA KOGYO CO., LTD.

35, Ooaza Shin-Ujigami, Chiyoda-cho Yamagata-gun, Hiroshima, 731-14 Japan
Telephone (082672) 6011 Telex 665871 SDKHIR Fax (082672) 6001, 6002
Cable Address SHINDAIWA HIROSHIMA

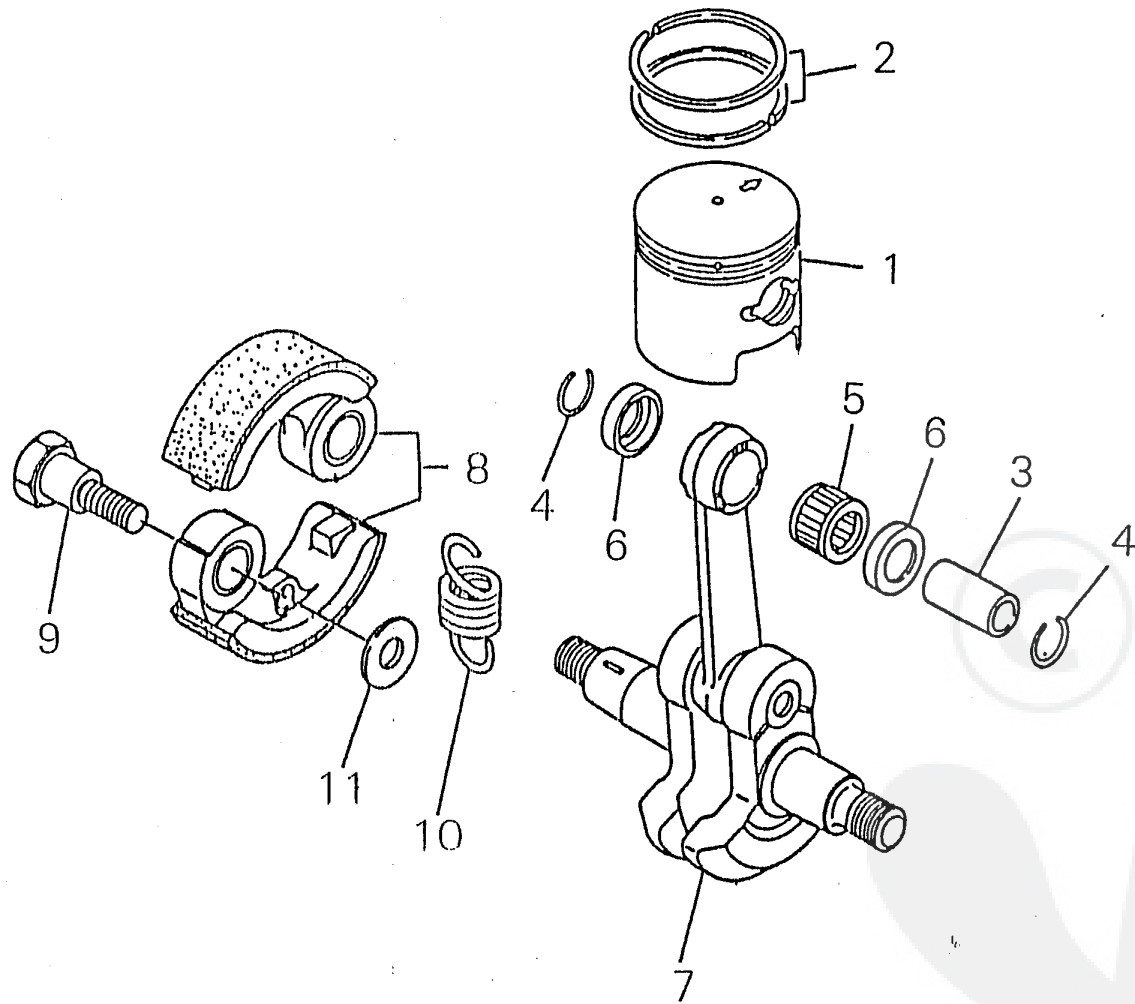
JUN. - 6. 1991

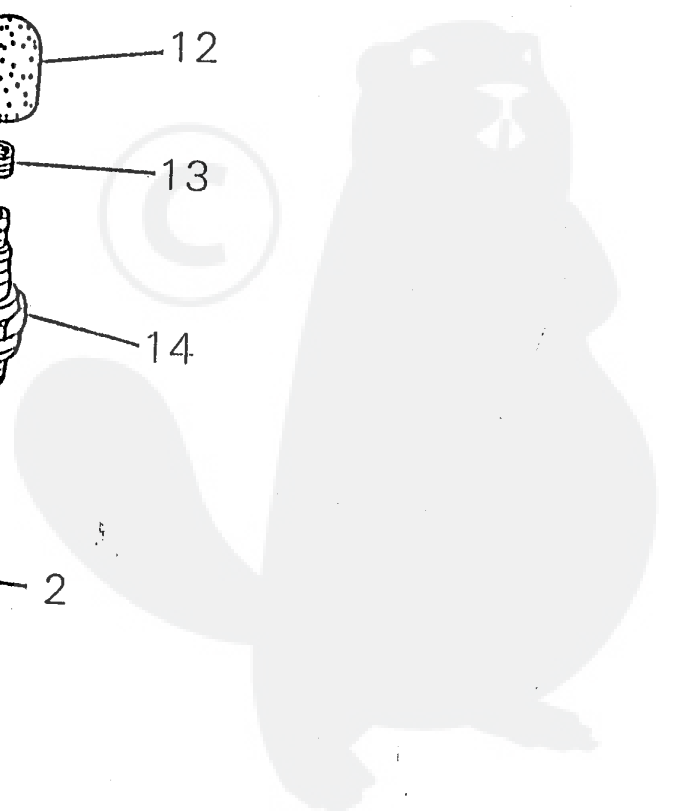
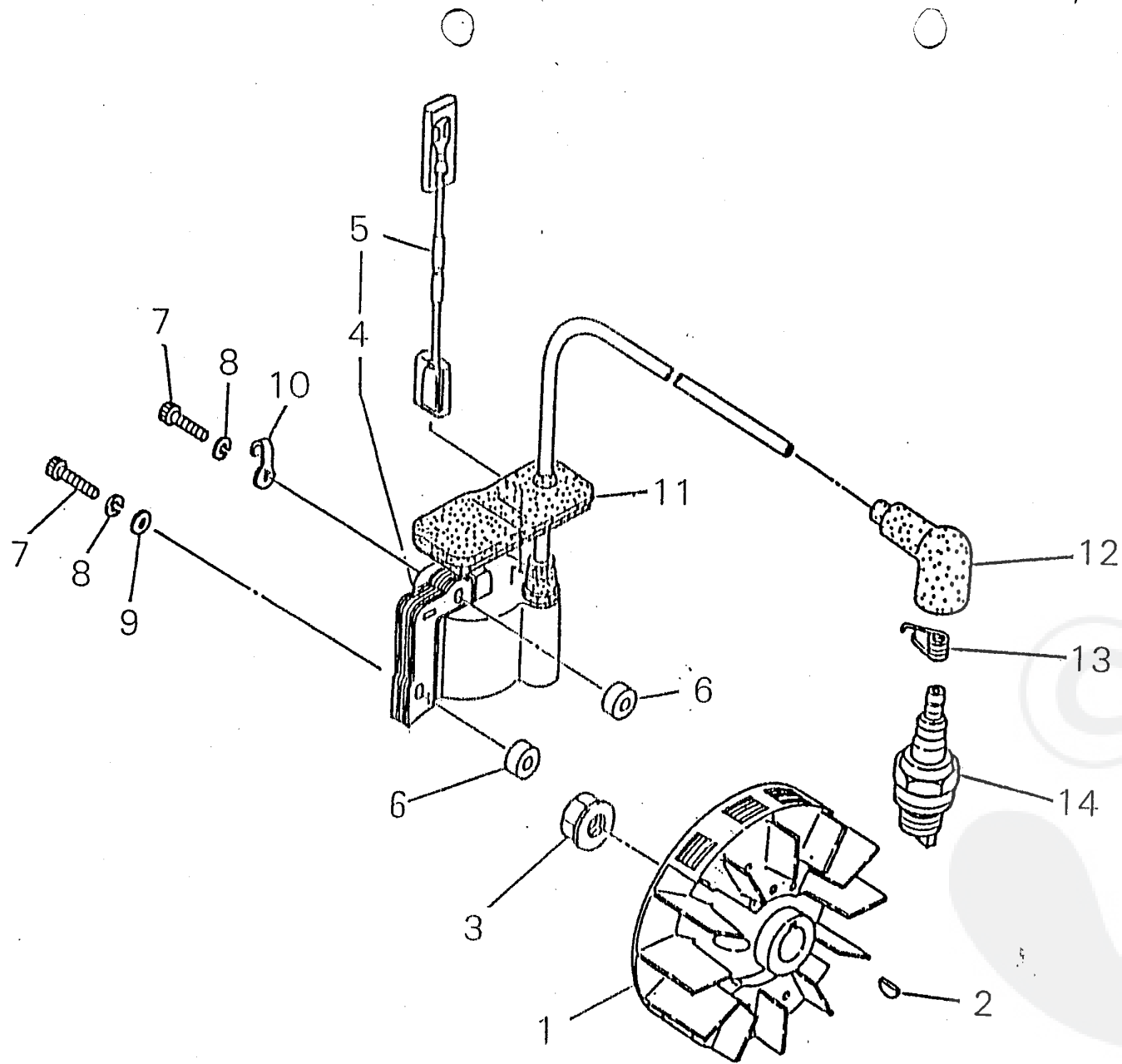




PRICE:(ST)

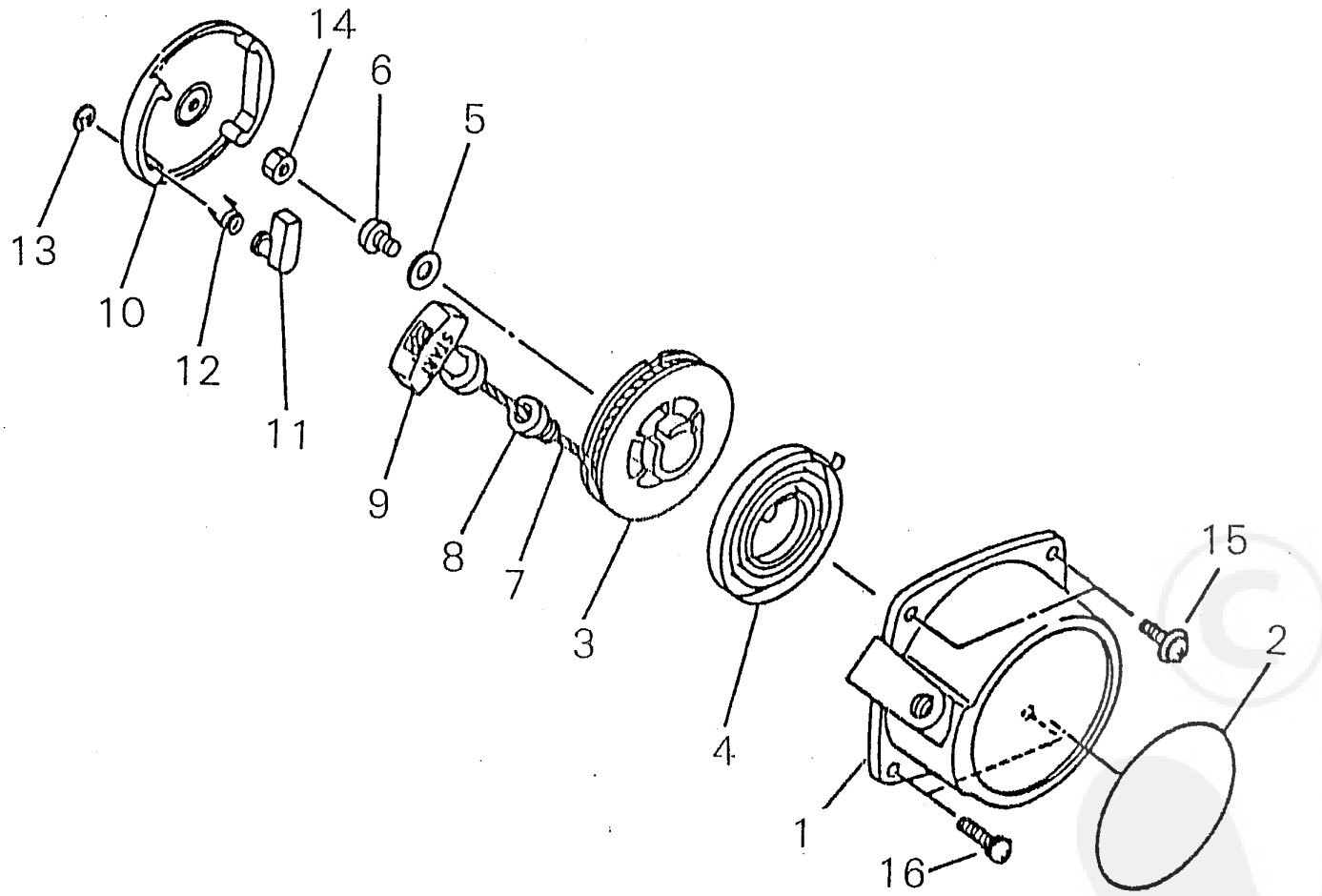
Ref. No	Part No.	Part Name	Q'ty	Unit Price	Remarks
2-	20075-21000	CRANK CASE ASSY	1		
1	20036-21110	• CRANK CASE S	1		
2	20036-21121	• CRANK CASE M	1		
3	70030-21140	• DAWEL PIN	4		
4	02030-06001	• BEARING	2		
5	20000-21211	• OIL SEAL	1		
6	22150-21250	• OIL SEAL	1		
7	01020-05250	• BOLT	3		
8	20035-22110	• NET A	1		
29	11206-04080	• SCREW PM SPW	1		
10	01211-04300	• SCREW SW	1		
30	20075-22120	• COLLAR	1		
	70105-31100	FAN COVER SUB ASSY	1		
11	70105-31110	• FAN COVER	1		
12	02006-06000	• BEARING	2		
13	02432-26120	• SNAP RING	1		
14	20035-31120	• CLUTCH DRUM	1		
15	22000-13320	• SNAP RING	1		
16	11022-05160	BOLT SPW	2		
17	11022-05350	BOLT SPW	2		
31	70105-31520	GROMMET	1		
18	70036-31213	CYLINDER COVER	1		
19	11207-04160	SCREW PM SLPW	2		
20	70115-31250	NAME PLATE	1		
21	20035-31411	JOINT	1		
22	70036-31420	CAP JOINT	1		
23	11206-05160	SCREW PM SPW	4		
32	70105-31510	CORD	1		
25	11023-05250	BOLT SW	1		
26	20035-31460	SHIM	1		
9	20075-33110	STAND	1		





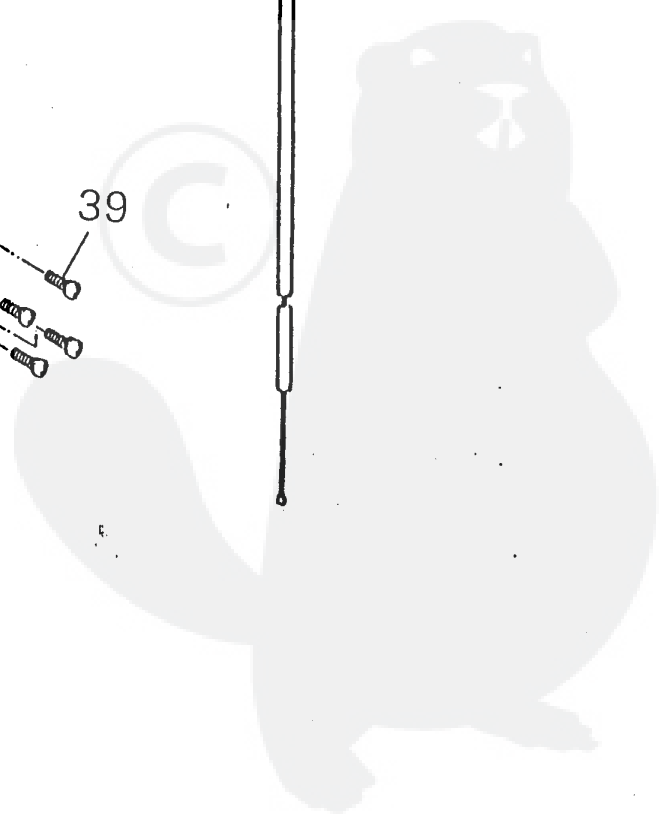
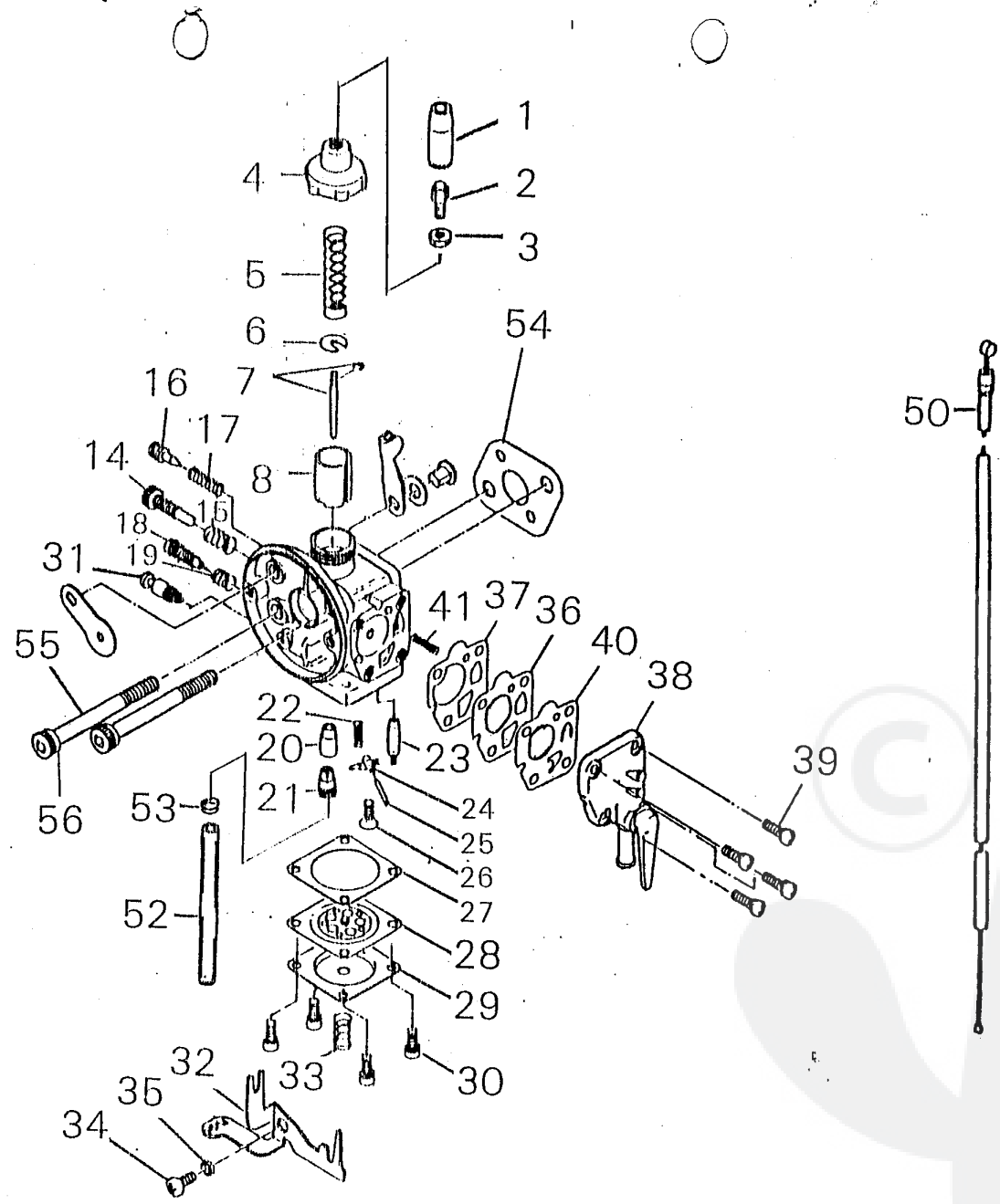
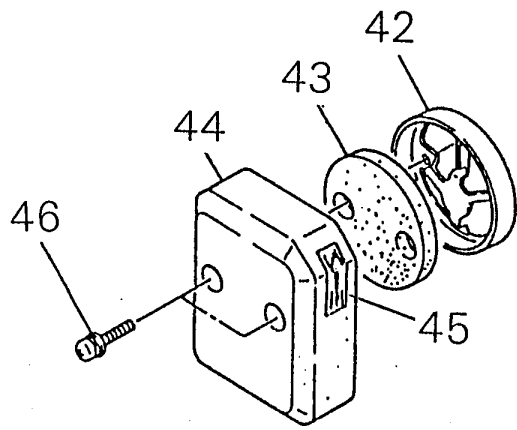
PRICE:(ST)

Ref. No	Part No.	Part Name	Q' ty	Unit Price	Remarks
4- 1	20077-71200	ROTOR	1		
2	22100-43210	KEY	1		
3	20035-71220	NUT	1		
4	20077-71600	COIL ASSY	1		
5	20077-71640	CORD	1		
6	70030-71620	INSULATOR	2		
7	01020-04260	BOLT	2		
8	01600-04101	SPRING WASHER	2		
9	20010-71650	WASHER	1		
10	20077-72130	CLAMP	1		
11	20040-72110	GROMMET	1		
12	22102-72220	PLUG CAP	1		
13	20000-72230	SPRING SPARK PLUG	1		
14	13000-13406	SPARK PLUG	1		



PRICE: (ST)

Ref. No	Part No.	Part Name	Qty	Unit Price	Remarks
5-	70036-75000	RECOIL STARTER ASSY #	1		
	70036-75100	· RECOIL STARTER SUB ASSY	1		
1	70036-75110	·· STARTER CASE	1		
2	70036-75116	·· NAME PLATE	1		
3	70030-75120	·· REEL	1		
4	70030-75130	·· RECOIL SPRING	1		
5	70030-75140	·· WASHER	1		
6	20035-75170	·· SCREW	1		
7	70030-75160	·· ROPE	1		
8	20035-75180	·· ROPE GUIDE	1		
9	20000-75190	·· KNOB STARTER	1		
	20035-75200	· STARTER PULLY SUB ASSY	1		
10	70030-75210	·· STARTER PULLY	1		
11	70030-75220	·· RATCHET	1		
12	20035-75230	·· RETURN SPRING	1		
13	70030-75240	·· E RING	1		
14	20035-43230	NUT	1		
15	20040-31330	SCREW PM SW L	2		
16	11206-04200	SCREW PM SPW	2		



PRICE:(ST)

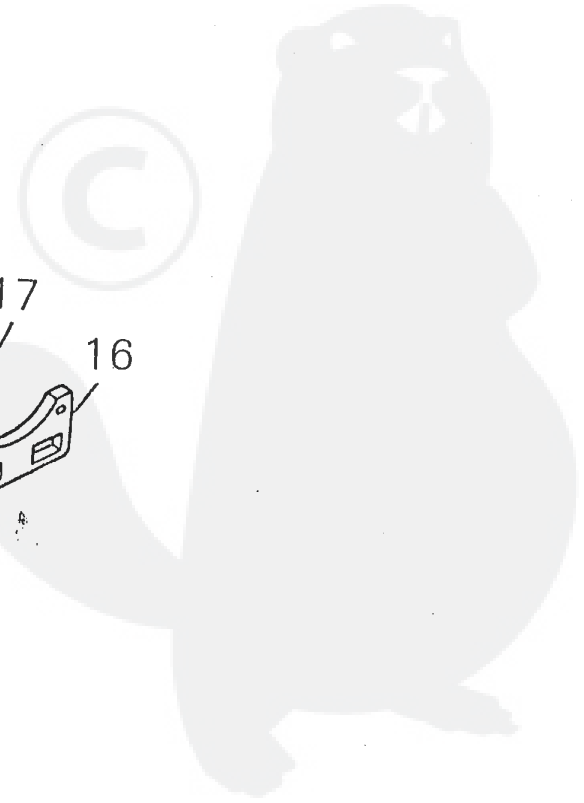
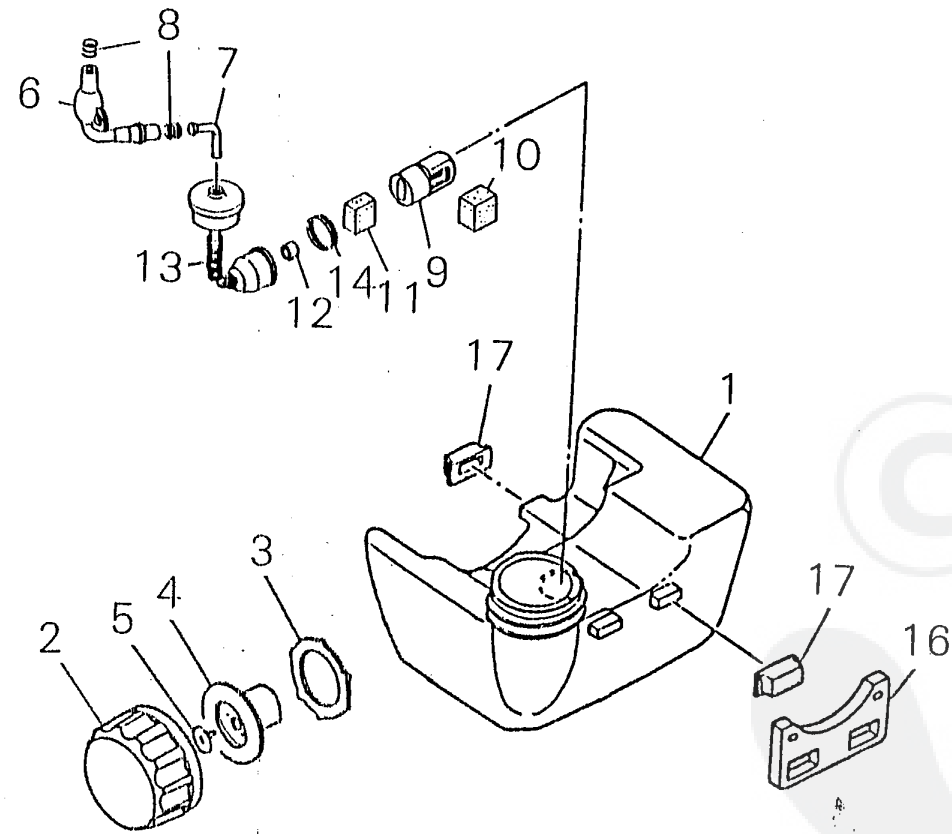
Ref. No	Part No.	Part Name	Qty	Unit Price	Remarks
6-	20075-81002	CARBURETOR ASSY	1		
	20075-81022	* CARBU BODY SUB ASSY	1		
1	72920-81130	** ADJUSTER CAP	1		
2	72920-81140	** CABLE ADJUSTER	1		
3	20000-81260	** LOCK NUT	1		
4	72920-81120	** BODY CAP	1		
5	20011-81140	** SPRING	1		
6	20000-81150	** SPRING RECEIVE	1		
7	20075-81171	** JET NEEDLE	1		
8	20075-81180	** THROTTLE VALVE	1		
14	20000-81310	** SLOW STOP SCREW	1		
15	20000-81320	** SPRING	1		
16	20000-81330	** SLOW AIR SCREW	1		
17	20000-81340	** SPRING	1		
18	20011-81351	** ADJUST SCREW	1		
19	20011-81360	** SPRING	1		
20	20075-81411	** NEEDLE JET	1		
21	20011-81420	** HOLDER	1		
22	20011-81430	** SPRING	1		
23	20000-81441	** NEEDLE VALVE	1		
24	20011-81450	** LEVER	1		
25	20011-81460	** PIN	1		
26	20011-81470	** SCREW	1		
27	20011-81510	** GASKET	1		
28	20011-81520	** DIAPHRAGM	1		
29	20011-81530	** COVER DIAPHRAGM	1		
30	20000-81540	** SCREW	4		
31	20011-81550	** ORVER FLOW VALVE	1		
32	20035-81560	** TICKLER LEVER	1		
33	20011-81572	** SPRING	1		
34	20011-81581	** SCREW	1		
35	20011-81590	** COLLAR	1		
36	20011-81621	** DIAPHRAGM	1		
37	20011-81630	** GASKET	1		
38	20011-81641	** PUMP BODY	1		
39	20000-81650	** SCREW	4		
40	20020-81660	** PUMP VALVE	1		
41	20011-81680	** SPRING	1		

PARTS LIST
SHINDAIWA
(LI38 LIA0380P)

T23/VK

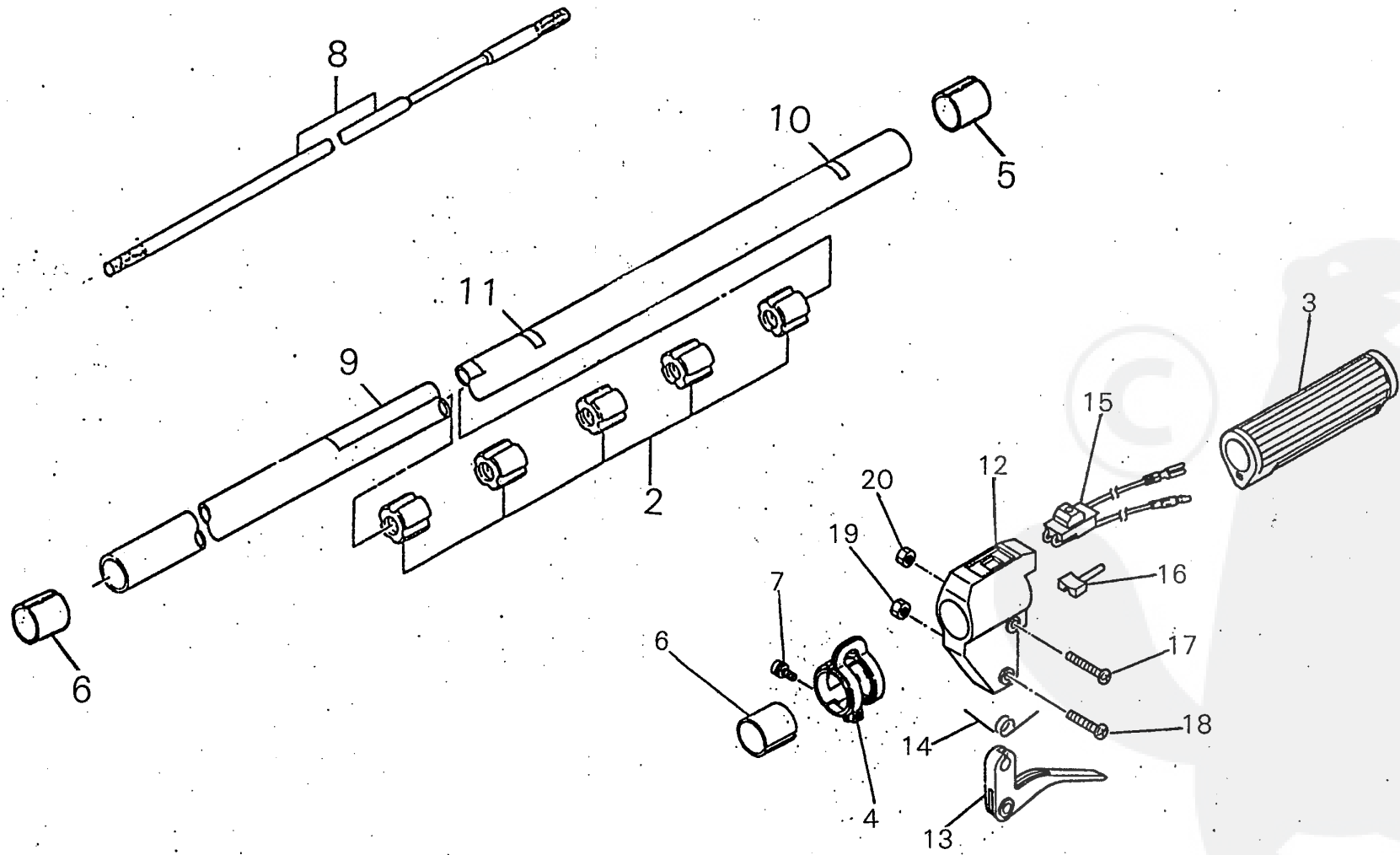
PRICE:(ST)

Ref. No	Part No.	Part Name	Qty	Unit Price	Remarks
6-	20075-81700	* CLEANER SUB ASSY	1		
42	20056-81710	** CLEANER BODY	1		
43	20056-81740	** FILTER	1		
44	20075-81770	** CLEANER COVER	1		
45	19404-00008	.. LABEL CHORKE	1		
46	11207-04250	** SCREW PM SLPW	2		
50	70036-83110	THROTTLE CABLE	1		
52	20035-83310	PIPE	1		
53	20020-85540	CLIP	1		
54	20011-83410	GASKET CARBURETOR	1		
55	01020-05600	BOLT	2		
56	01600-05131	SPRING WASHER	2		
	20011-81910	GASKET KIT	1		
27	20011-81510	* GASKET	1		
37	20011-81630	* GASKET	1		
	20011-81921	DIAPHRAGM KIT	1		
28	20011-81520	* DIAPHRAGM	1		
36	20011-81621	* DIAPHRAGM	1		
40	20020-81660	* PUMP VALVE	1		
	20075-81931	JET NEEDLE KIT	1		
7	20075-81171	* JET NEEDLE	1		
20	20075-81411	* NEEDLE JET	1		



PRICE: (ST)

Ref. No	Part No.	Part Name	Qty	Unit Price	Remarks
7-	20035-85003	FUEL TANK ASSY	1		
1	20035-85111	* FUEL TANK	1		
	20040-85202	* FUEL CAP ASSY	1		
2	20040-85210	** FUEL CAP	1		
3	20040-85220	** PACKING	1		
4	20040-85232	** HOLDER COMP	1		
5	20040-85260	** VALVE FUEL	1		
6	20035-85310	* FUEL PIPE	1		
7	20000-85321	* JOINT PIPE	1		
8	20000-85350	* CLAMP B	2		
	20011-85400	* FUEL FILTER SUB ASSY	1		
9	22100-85411	** WEIGHT FUEL	1		
10	22100-85420	** FILTER A	1		
11	22100-85431	** FILTER B	1		
12	20000-85440	** CHAKE VALVE	1		
13	20011-85450	** SUCTION PIPE	1		
14	22102-85440	** CLIP	1		
16	20035-86110	TANK HOLDER	1		
17	20035-86120	TANK CUSHION	4		

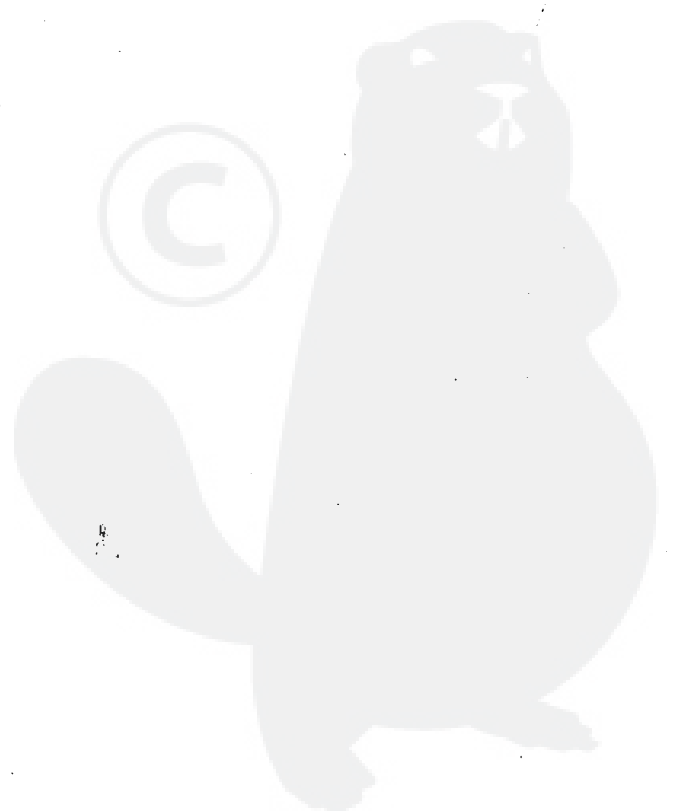
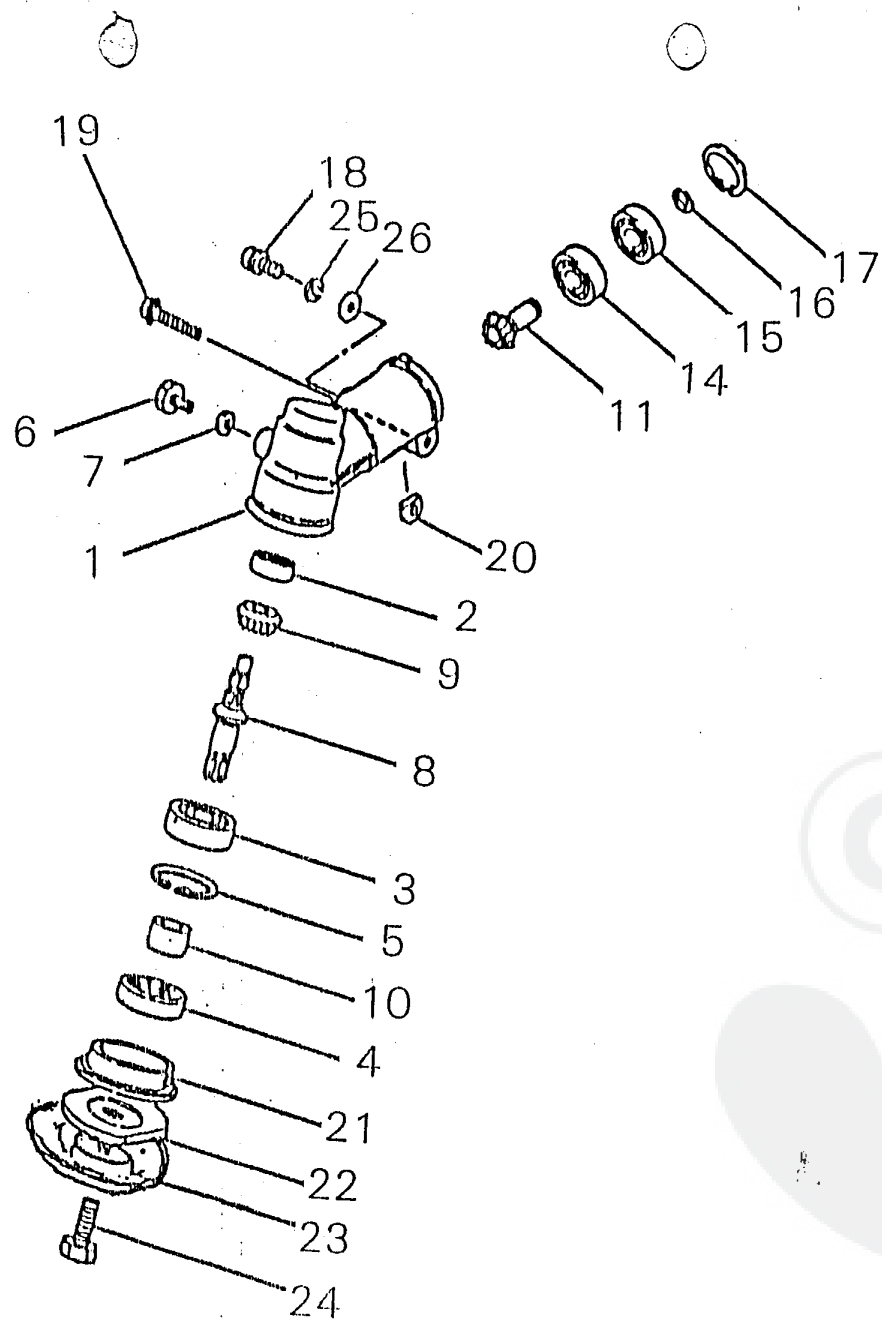


PRICE:(ST)

Ref. No	Part No.	Part Name	Qty	Unit Price	Remarks
8-	72449-12000	OUTER PIPE ASSY #	1		
	72449-12100	• OUTER PIPE SUB ASSY	1		
2	22035-12120	•• BUSH	5		
3	22036-12612	•• GRIP	1		
10	72444-12140	•• CAUTION PLATE	1		
11	72444-12150	•• HANDLE LABEL	1		
4	22035-12210	• SWIVEL HANGER	1		
5	22036-14130	• SPACER	1		
6	22035-12220	• SPACER	2		
7	11206-05120	• SCREW PM SPW	1		
8	22035-12410	• MAIN SHAFT	1		
9	72443-12510	• NAME PLATE	1		
	72449-12300	• THROTTLE LEVER ASSY	1		
12	72418-12320	•• BODY	1		
13	72414-12330	•• LEVER	1		
14	72414-12340	•• RETURN SPRING	1		
15	72449-12350	•• SWITCH	1		
16	72414-12360	•• SPACER	1		
17	11203-05300	•• SCREW PM	1		
18	72418-12370	•• SCREW	1		
19	11525-05000	•• U NUT	1		
20	01500-05041	•• NUT	1		
	70036-83110	THROTTLE CABLE			

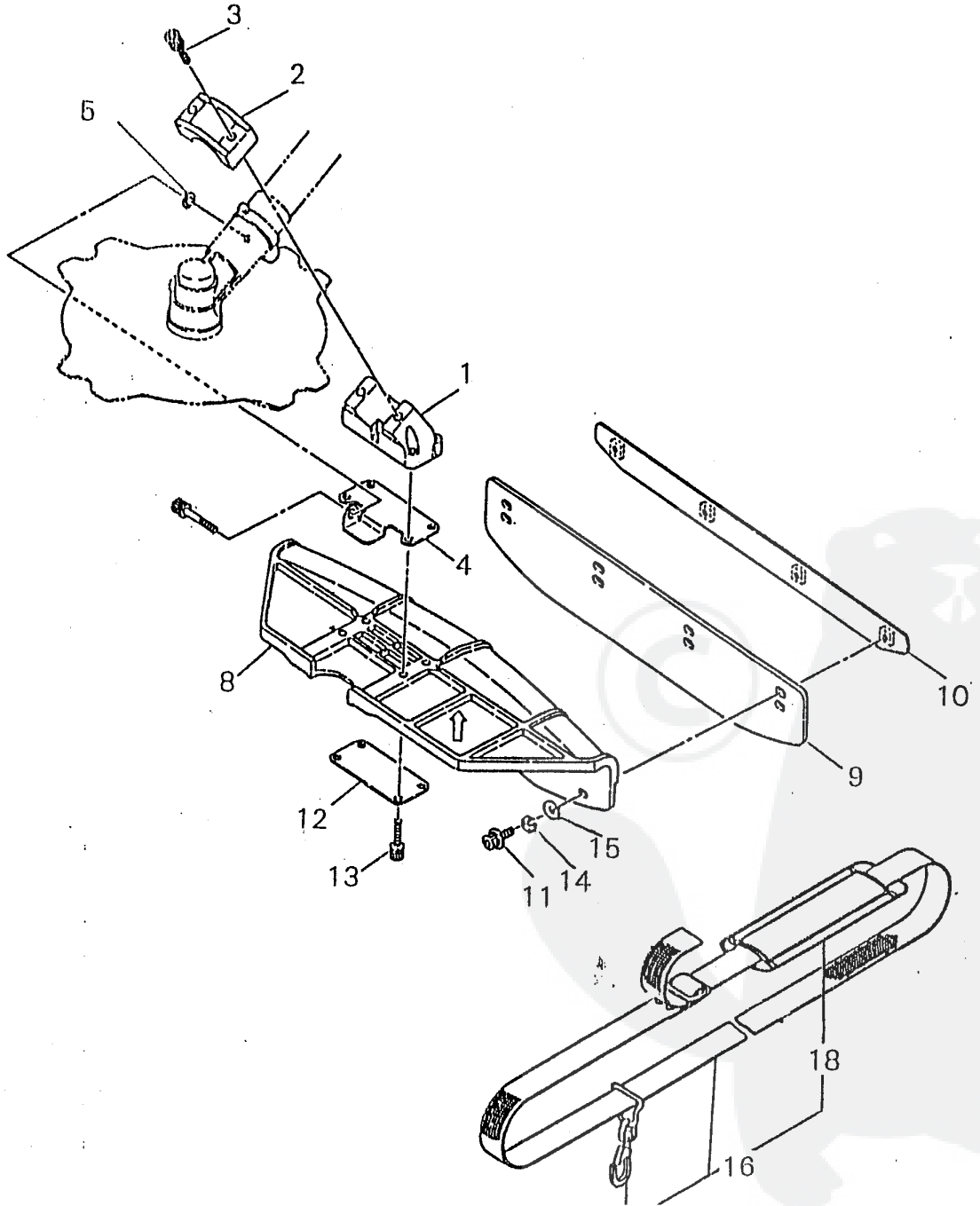
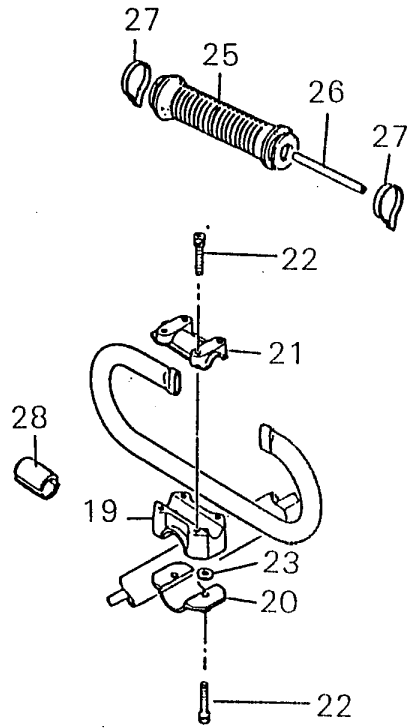
PARTS LIST
 SHINDAIWA
 (LI38 LIA0380P)

T23/VK



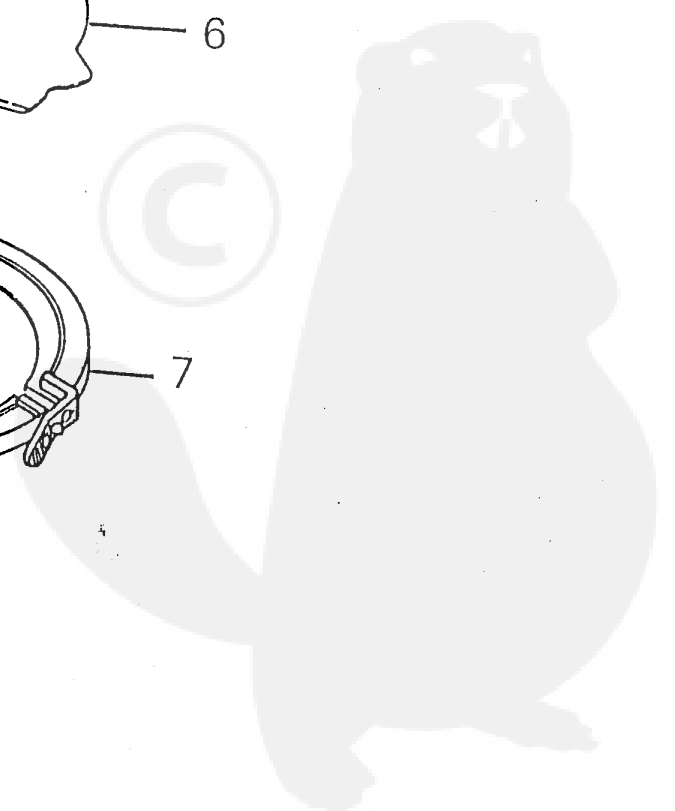
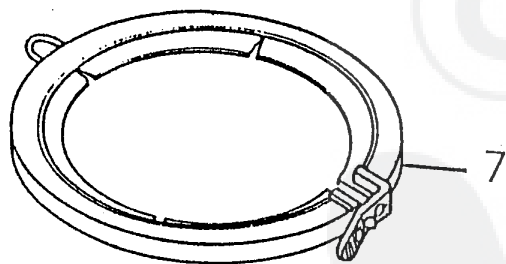
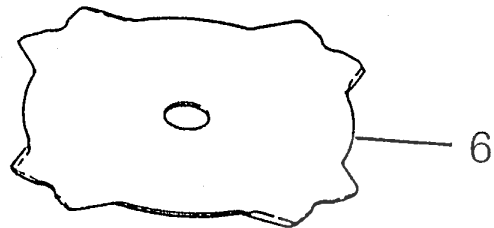
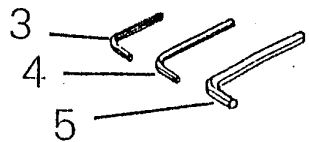
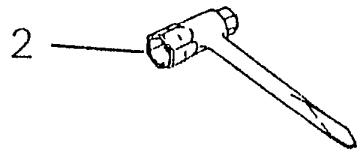
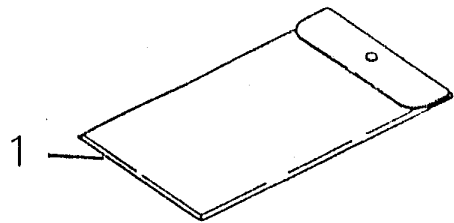
PRICE:(ST)

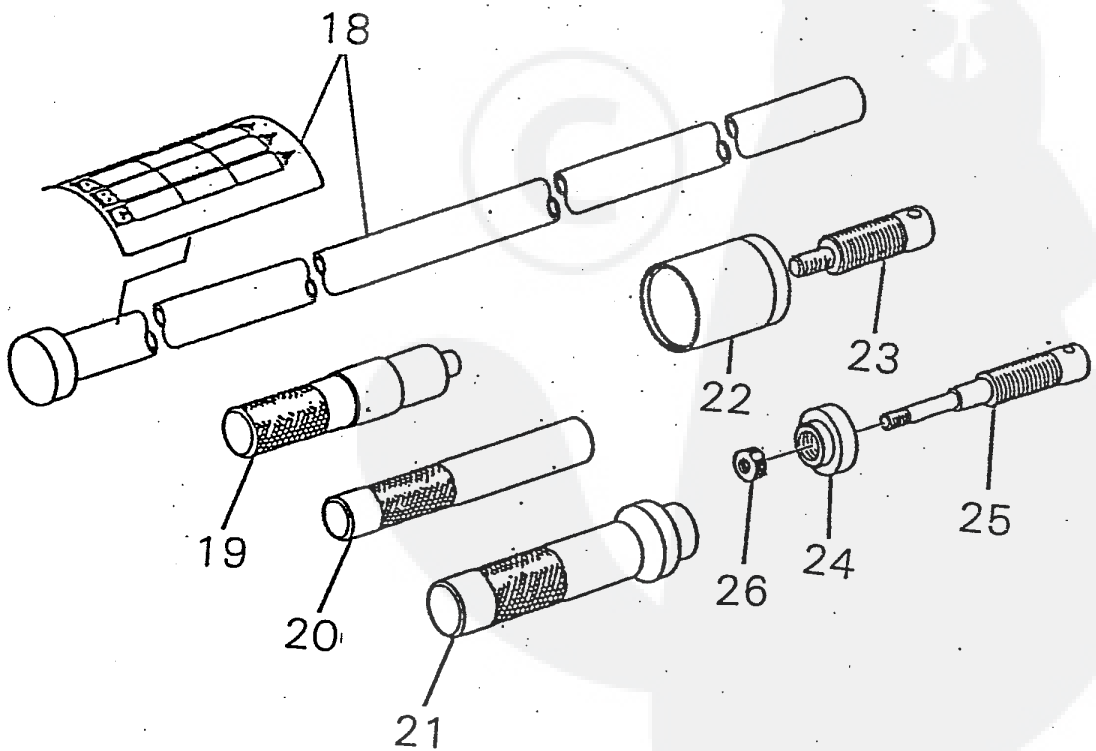
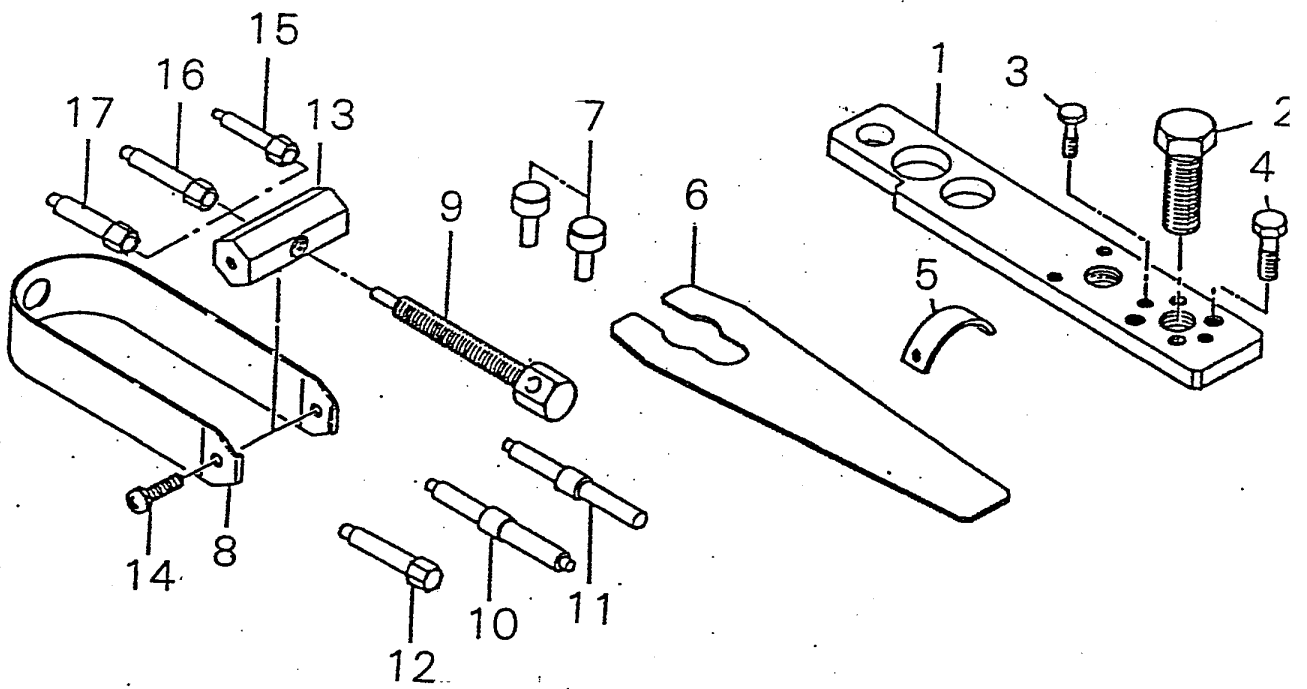
Ref. No	Part No.	Part Name	Q'ty	Unit Price	Remarks
9-	72444-13001	GEAR CASE ASSY	1		
	72055-13011	· GEAR CASE SUB ASSY	1		
	72444-13020				
1	72055-13111	· GEAR CASE	1		
2	02006-00626	· BEARING	1		
3	02000-06000	· BEARING	1		
4	22035-13140	· OIL SEAL	1		
5	02432-26120	· SNAP RING	1		
6	01014-06100	· BOLT	1		
7	22000-13410	· GASKET	1		
8	22035-13211	· GEAR SHAFT	1		
9	22035-13220	· BEVEL GEAR	1		
10	22035-13230	· COLLAR	1		
11	22035-13390	· PINION SET	1		
14	02000-00608	· BEARING	1		
15	02002-00608	· BEARING	1		
16	22035-13340	· SNAP RING	1		
17	02432-22100	· SNAP RING	1		
18	01020-05120	· BOLT	1		
25	01600-05131	· SPRING WASHER	1		
26	01610-05080	· WASHER	1		
19	11020-05300	· BOLT SW	1		
20	22000-13420	· SHIM	1		
	72444-13209	· HOLDER SET	# 1		
21	22035-13242	· HOLDER A	1		
22	22035-13251	· HOLDER B	1		
23	72444-13290	· STABILIZER	1		
24	22035-13271	· BOLT	1		



PRICE: (ST)

Ref. No	Part No.	Part Name	Q'ty	Unit Price	Remarks
10-	72444-16000	GUARD ASSY	1		
1	72444-16120	• GUARD BRACKET	1		
2	72444-16130	• GUARD CLAMP	1		
3	11022-05250	• BOLT SPW	2		
4	72444-16140	• LINK PLATE	1		
5	72444-16150	• WASHER	1		
8	72444-16210	• GUARD	1		
9	72444-16220	• SUB GUARD	1		
10	72444-16230	• BACK PLATE	1		
11	01020-05160	• BOLT	4		
12	72444-16250	• WASHER	1		
13	11022-05250	• BOLT SPW	4		
14	01600-05131	• SPRING WASHER	4		
15	01613-05080	• WASHER	4		
16	72036-17200	STRAP SUB ASSY	1		
17	22044-17220	• HOOK	1		
18	22044-17230	• PROTECTOR	1		
	72441-14000	HANDLE ASSY #	1		
	72091-14100	• BRACKET SUB ASSY	1		
19	72051-14110	•• HANDLE BRACKET	1		
20	72051-14120	•• LOWER CAP	1		
21	72051-14131	•• UPPER CAP	1		
22	11022-05250	•• BOLT SPW	6		
23	01610-05080	•• WASHER	1		
	72441-14200	• HANDLE ASSY #	1		
25	22000-14220	•• GRIP HANDLE	1		
26	22000-14230	•• CORE GRIP	1		
27	22000-14241	•• BAND GRIP	2		
28	22042-14260	•• SPACER	2		





PRICE:(ST)

Ref. No	Part No.	Part Name	Q'ty	Unit Price	Remarks
12-	20021-96001	OPTION TOOL SET #	1		
	20000-96104	• PULLER ASSY	1		
1	20000-96114	•• LEVER	1		
2	22100-96121	•• CENTER BOLT	1		
3	20000-96130	•• BOLT	3		
4	20000-96140	•• BOLT	2		
5	20000-96210	• AIR GAP GAUGE	1		
6	20000-96411	• ROTOR SPANNER	1		
7	20021-96420	• STOPPER	2		
	20021-96601	• PULLER ASSY	1		
8	20021-96611	•• PULLER	1		
9	20021-96621	•• BOLT	1		
10	20000-96631	•• GUIDE PIN	1		
11	20035-96630	•• GUIDE PIN	1		
12	20021-96630	•• GUIDE PIN	1		
13	20000-96640	•• BOSS	1		
14	01211-06120	•• SCREW	2		
15	20021-96650	•• PIN ADAPTER	1		
16	20021-96660	•• PIN ADAPTER	1		
17	20021-96670	•• PIN ADAPTER	1		
	22000-96003	OPTION TOOL SET #	1		
18	22000-96101	• ROD BUSHING ASSY	1		
19	22000-96210	• ROD 6000DDU	1		
20	22000-96310	• ROD 6000ZZ	1		
21	22000-96410	• ROD 6201	1		
	22000-96501	• PULLER ASSY	1		
22	22000-96510	•• HOLDER	1		
23	22000-96521	•• BOLT	1		
	22000-96600	• PULLER SUB ASSY	1		
24	22000-96610	•• HOLDER	1		
25	22000-96621	•• BOLT	1		
26	22000-96630	•• NUT	1		

PARTS LIST
 SHINDAIWA
 (LI38 LIA0380P)

T23/VK