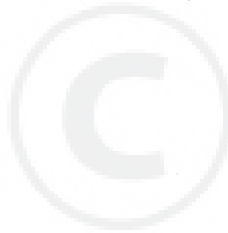


shindaiwa

PARTS PRICE LIST

BP 35

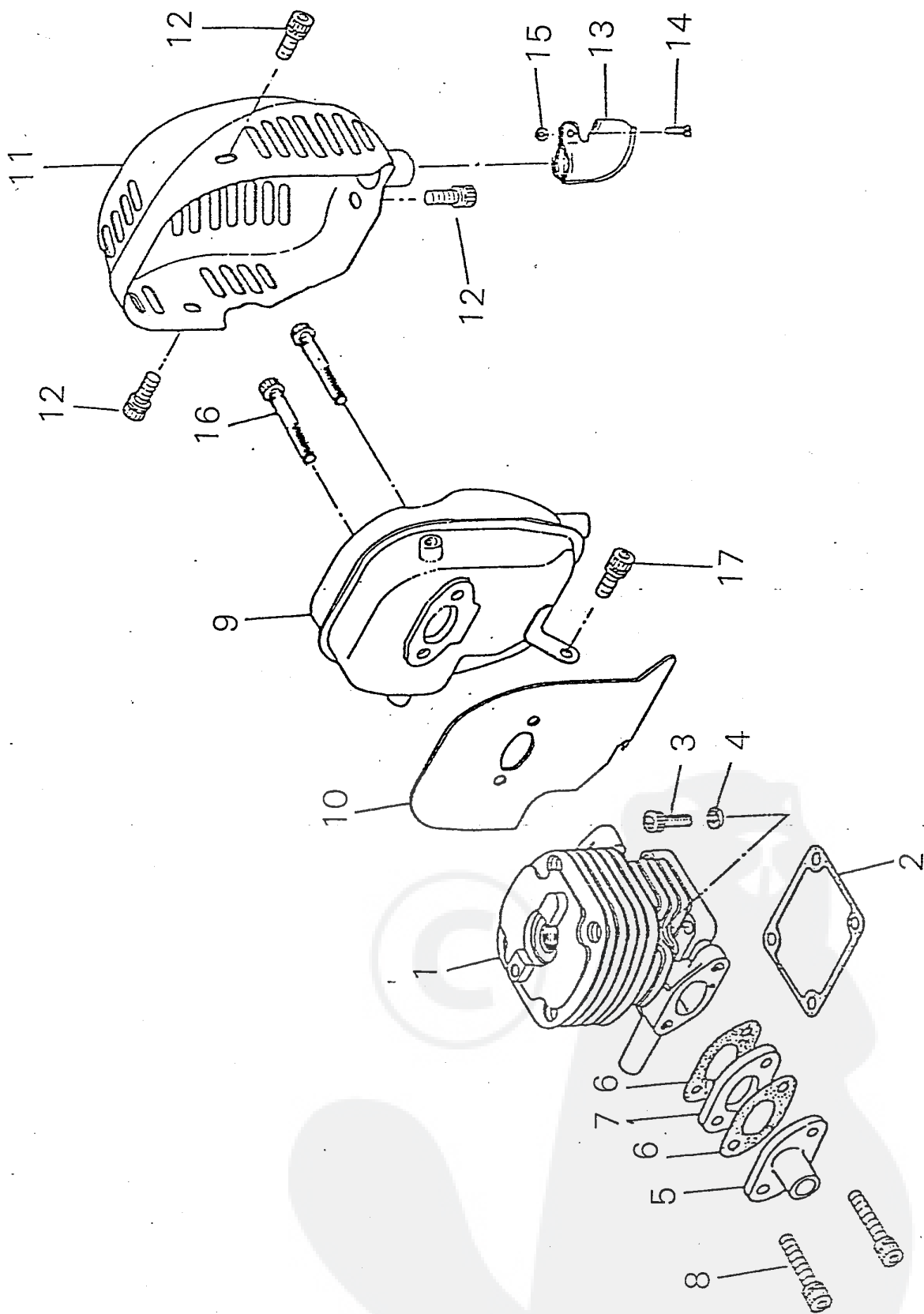


SHIN-DAIWA KOGYO CO., LTD.

35, Ooaza Shin-Ujigami, Chiyoda-cho Yamagata-gun, Hiroshima, 731-14 Japan
Telephone (082672) 6011 Telex 665871 SDKHIR Fax (082672) 6001, 6002
Cable Address SHINDAIWA HIROSHIMA

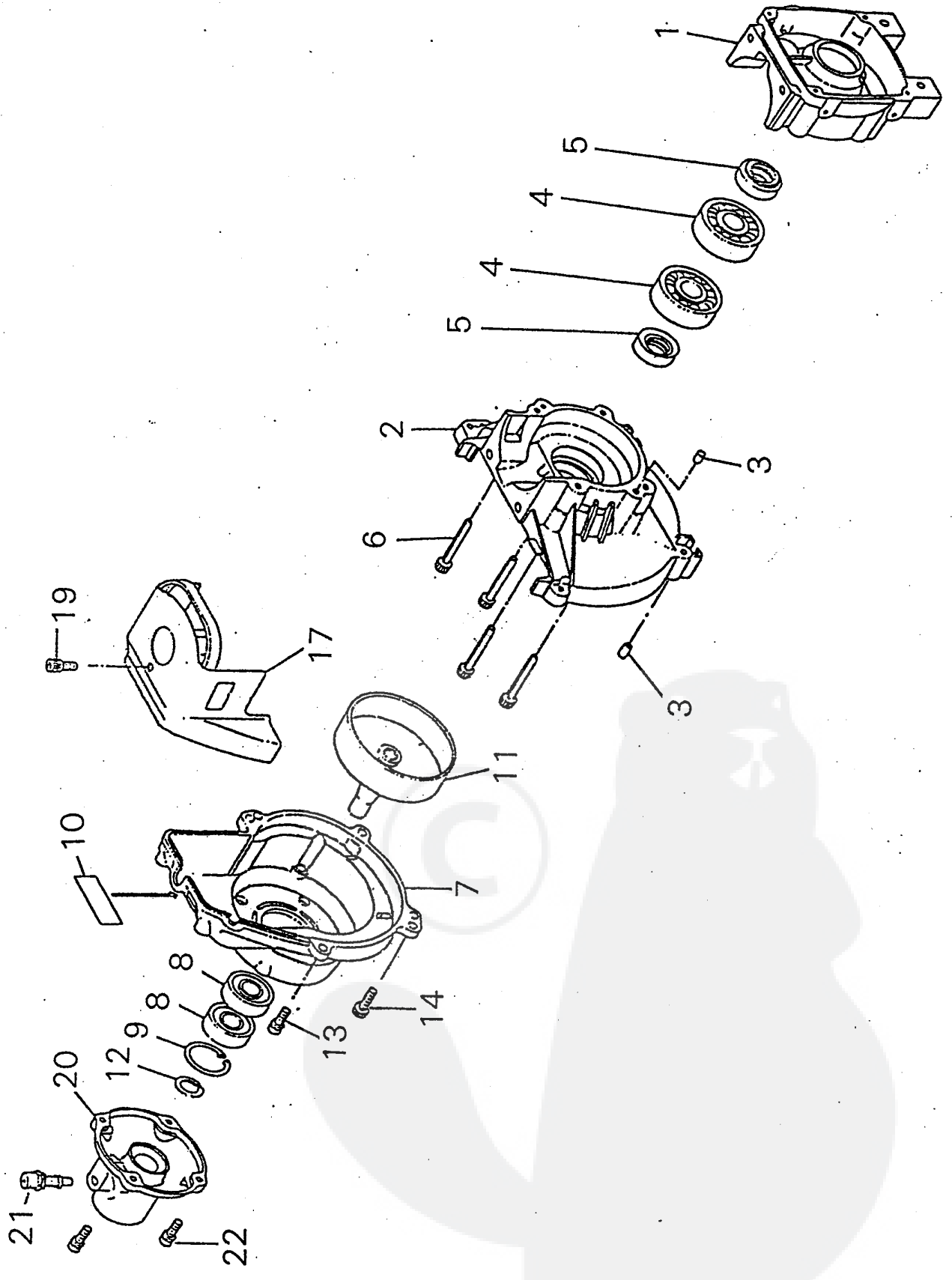
JUN. 17. 1991





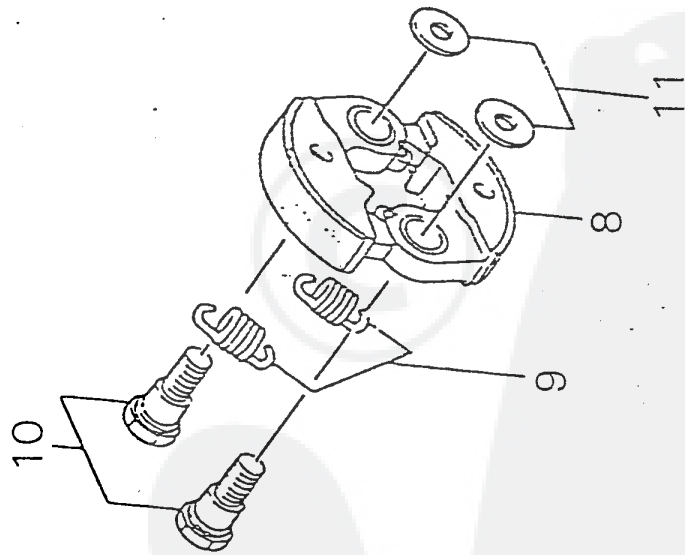
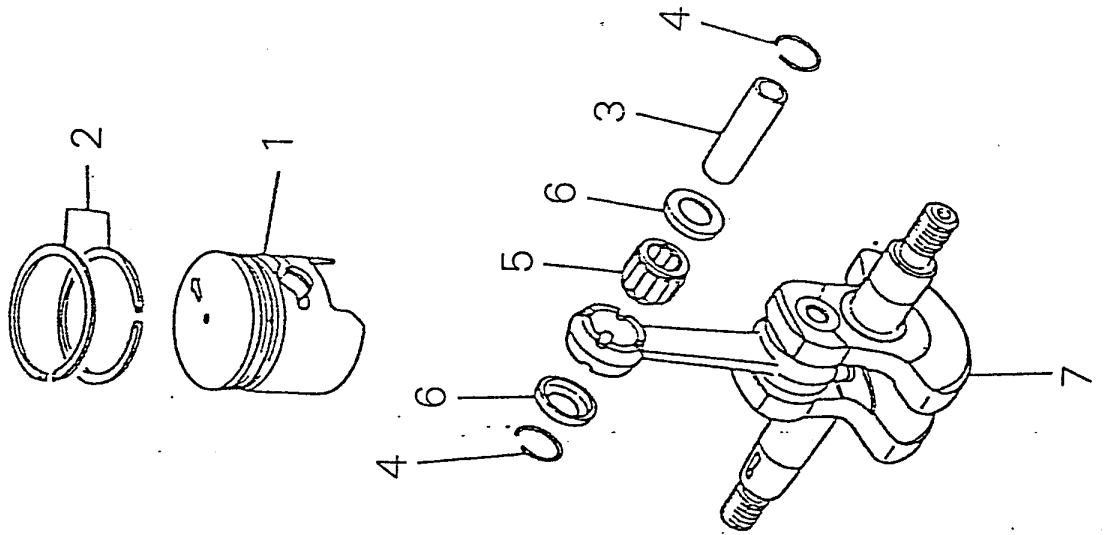
PRICE: (ST)

Ref. No.	Part No.	Part Name	Q'ty	Unit Price	Remarks
1- 1	20011-12111	CYLINDER	1		
2	20010-12120	GASKET CYLINDER	1		
3	01020-05250	BOLT	4		
4	01600-05131	SPRING WASHER	4		
5	20051-12211	INLET PIPE	1		
6	20051-12220	GASKET INSULATOR	2		
7	20051-12230	INSULATOR	1		
8	11022-05250	BOLT SPW	2		
	20051-15001	MUFFLER ASSY	1		
9	20051-15110	• MUFFLER	1		
10	20050-15210	• GASKET MUFFLER	1		
11	20051-15310	• MUFFLER GUARD	1		
12	11024-05100	• BOLT SLPW	3		
13	20050-15410	• TAIL PIPE	1		
14	11203-04100	• SCREW PM	1		
15	01500-04031	• NUT	1		
16	01020-06250	• BOLT	2		
17	11024-05120	• BOLT SLPW	1		



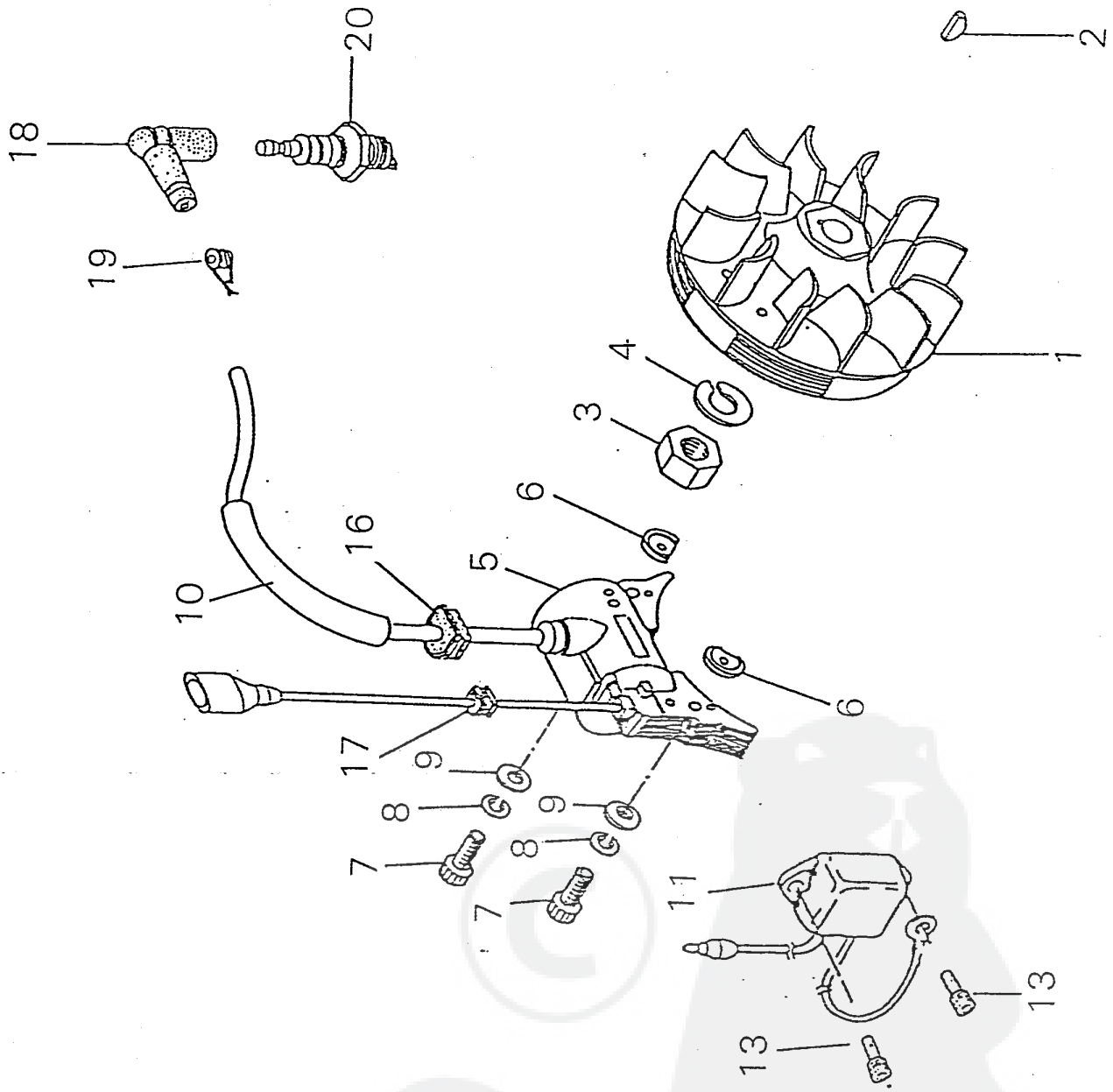
PRICE:(ST)

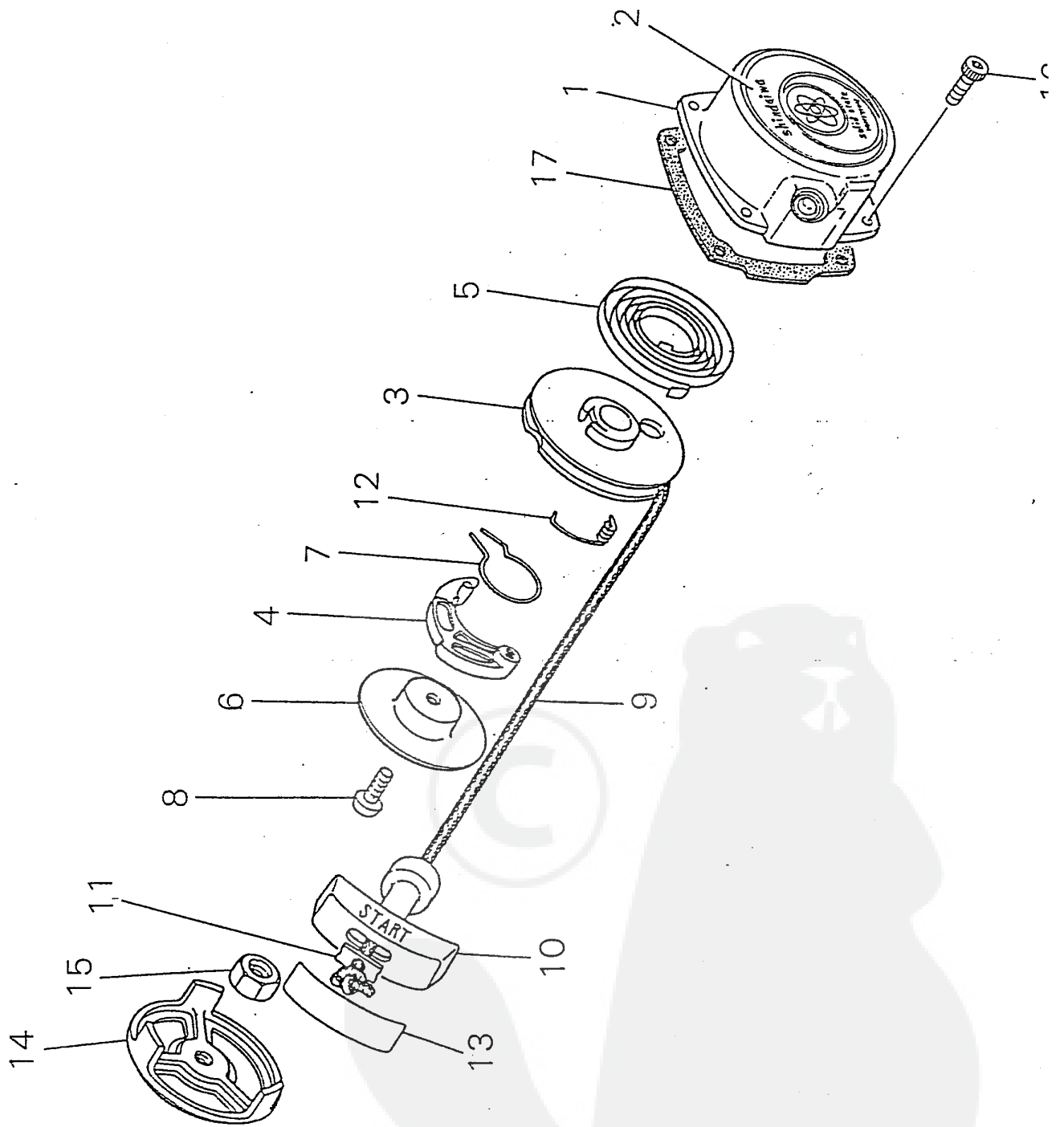
Ref. No	Part No.	Part Name	Q'ty	Unit Price	Remarks
2-	20051-21000	CRANK CASE ASSY	1		
1	20051-21110	• CRANK CASE S	1		
2	70012-21120	• CRANK CASE M	1		
3	20000-21140	• DAWEL PIN	4		
4	02030-06202	• BEARING	2		
5	20010-21211	• OIL SEAL	2		
6	01020-05300	• BOLT	4		
	70051-31000	FAN COVER ASSY	1		
7	70012-31110	• FAN COVER	1		
8	02006-06002	• BEARING	2		
9	02432-32120	• SNAP RING	1		
10	70051-31150	• NAME PLATE	1		
11	20050-31210	• CLUTCH DRUM	1		
12	20011-31230	• SNAP RING	1		
13	11022-05200	• BOLT SPW	2		
14	11022-05350	• BOLT SPW	2		
17	70012-32110	CYLINDER COVER	1		
19	11024-05140	BOLT SLPW	1		
	20051-35000	JOINT CASE ASSY	# 1		
20	20051-35130	• JOINT CASE	1		
21	20050-35200	• PIN COMP	1		
22	11022-05200	• BOLT SPW	4		

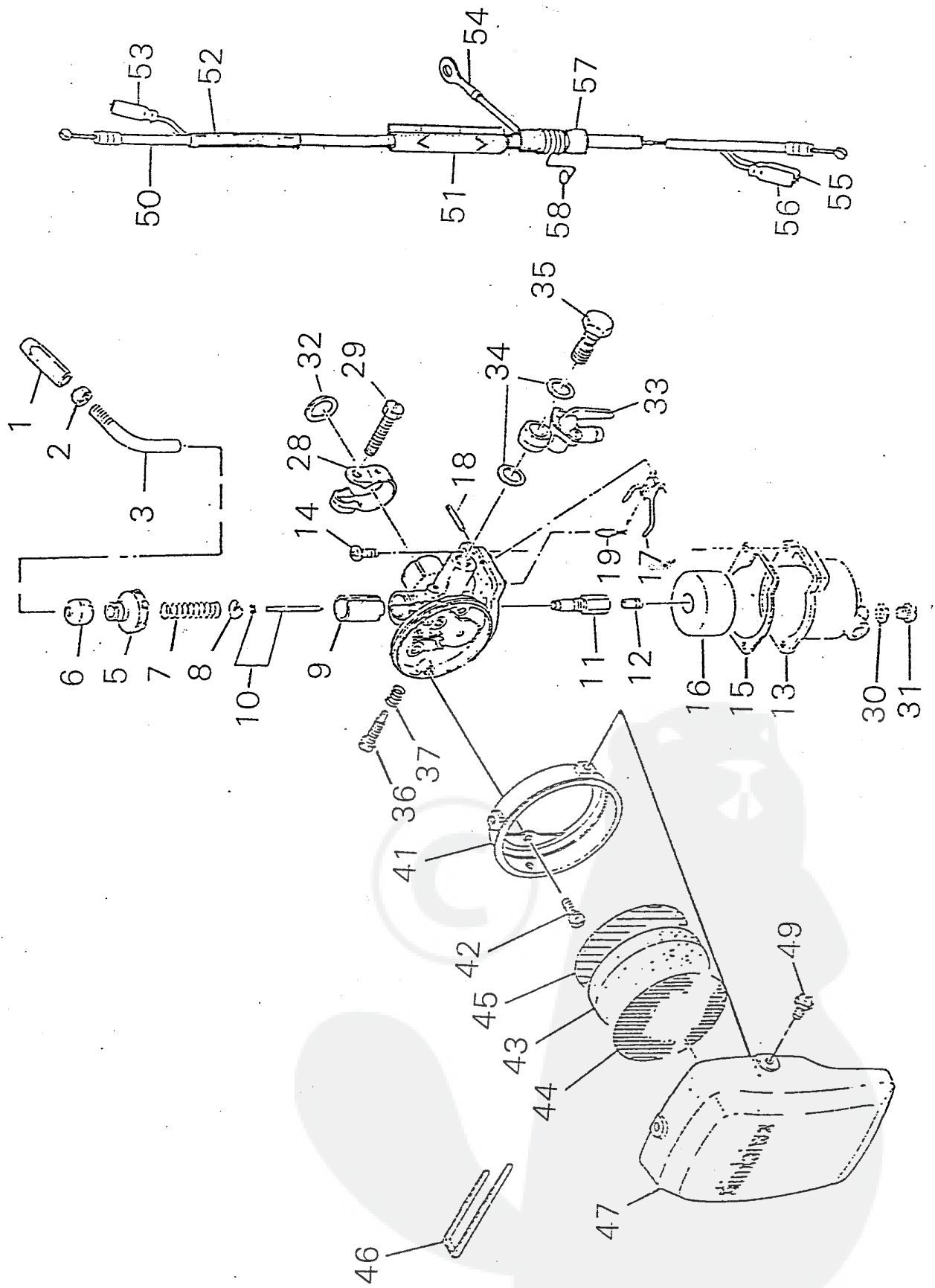


PRICE: (ST)

Ref. No.	Part No.	Part Name	Qty	Unit Price	Remarks
3- 1	20010-41110	PISTON	1		
2	20010-41210	PISTON RING	2		
3	20010-41310	PISTON PIN	1		
4	22100-41230	SNAP RING	2		
5	20010-41330	NEEDLE BEARING	1		
6	20010-41340	THRUST WASHER	2		
7	20010-42002	CRANK SHAFT ASSY	1		
	20050-51101	CLUTCH SHOE ASSY	1		
8	20050-51110	• CLUTCH SHOE	2		
9	20050-51121	• CLUTCH SPRING	2		
10	20010-51130	• CLUTCH BOLT	2		
11	20010-51141	• WASHER	2		





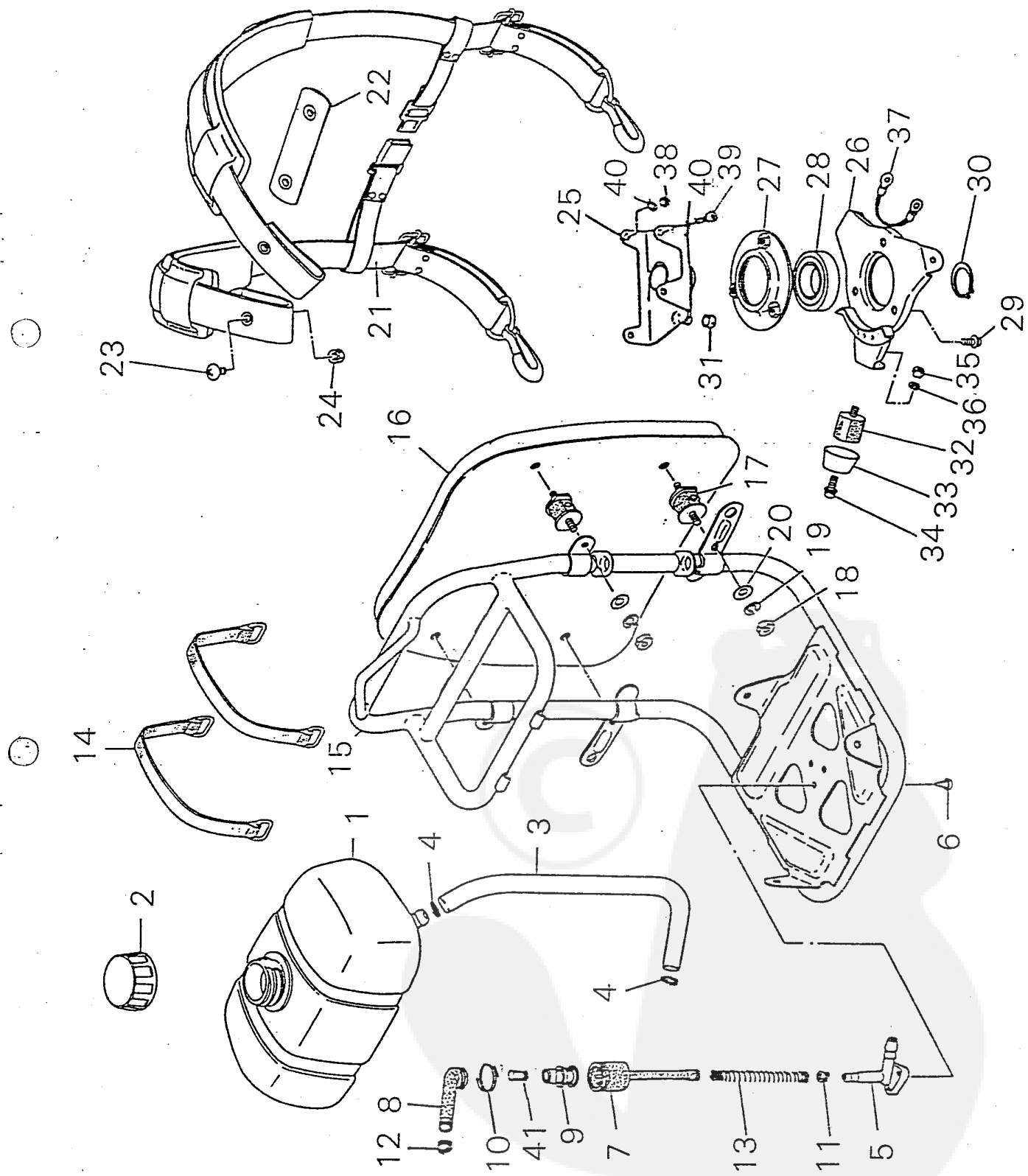


PRICE:(ST)

Ref. No	Part No.	Part Name	Q'ty	Unit Price	Remarks
6-	20055-81001	CARBURETOR ASSY	1		
1	20055-81810	• CABLE ADJUSTER	1		
2	20000-81260	• LOCK NUT	1		
3	20055-81830	• ADJUST PIPE	1		
5	20055-81120	• BODY CAP	1		
6	20055-81130	• CAP	1		
7	20000-81140	• SPRING THROTTLE	1		
8	20000-81150	• SPRING RECEIVE	1		
9	20055-81181	• THROTTLE VALVE	1		
10	20055-81211	• JET NEEDLE	1		
11	20055-81230	• NEEDLE JET	1		
12	20055-81241	• MAIN JET	1		
13	20055-81310	• FLOAT CHAMBER	1		
14	20000-81730	• SCREW	2		
15	20010-81330	• GASKET	1		
16	20055-81340	• FLOAT	1		
17	20055-81351	• FLOAT HINGE	1		
18	20010-81362	• HINGE PIN	1		
19	20055-81381	• NEEDLE VALVE	1		
28	20010-81511	• BODY BAND	1		
29	20010-81521	• BOLT	1		
30	20055-81550	• DRAIN GASKET	1		
31	20055-81560	• DRAIN SCREW	1		
32	20010-81570	• FLANGE PACKING	1		
33	20055-81610	• FUEL COCK	1		
34	20055-81620	• GASKET	2		
35	20055-81630	• BANJO BOLT	1		
36	20000-81310	• SLOW STOP SCREW	1		
37	20010-81820	• ADJUST SPRING	1		
	20010-81701	• AIR CLEANER SUB ASSY	1		
41	20010-81711	• CLEANER BODY	1		
42	20000-81730	• SCREW	2		
43	20000-81740	• FILTER	1		
44	20000-81750	• NET A	1		
45	20010-81760	• NET B	1		
46	20010-81781	• SPRING NET	1		
47	20010-81771	• CLEANER COVER	1		
49	20000-81735	• SCREW	3		

PARTS LIST
SHINDAIWA
(LI88 LIA0380P)

BP35/F

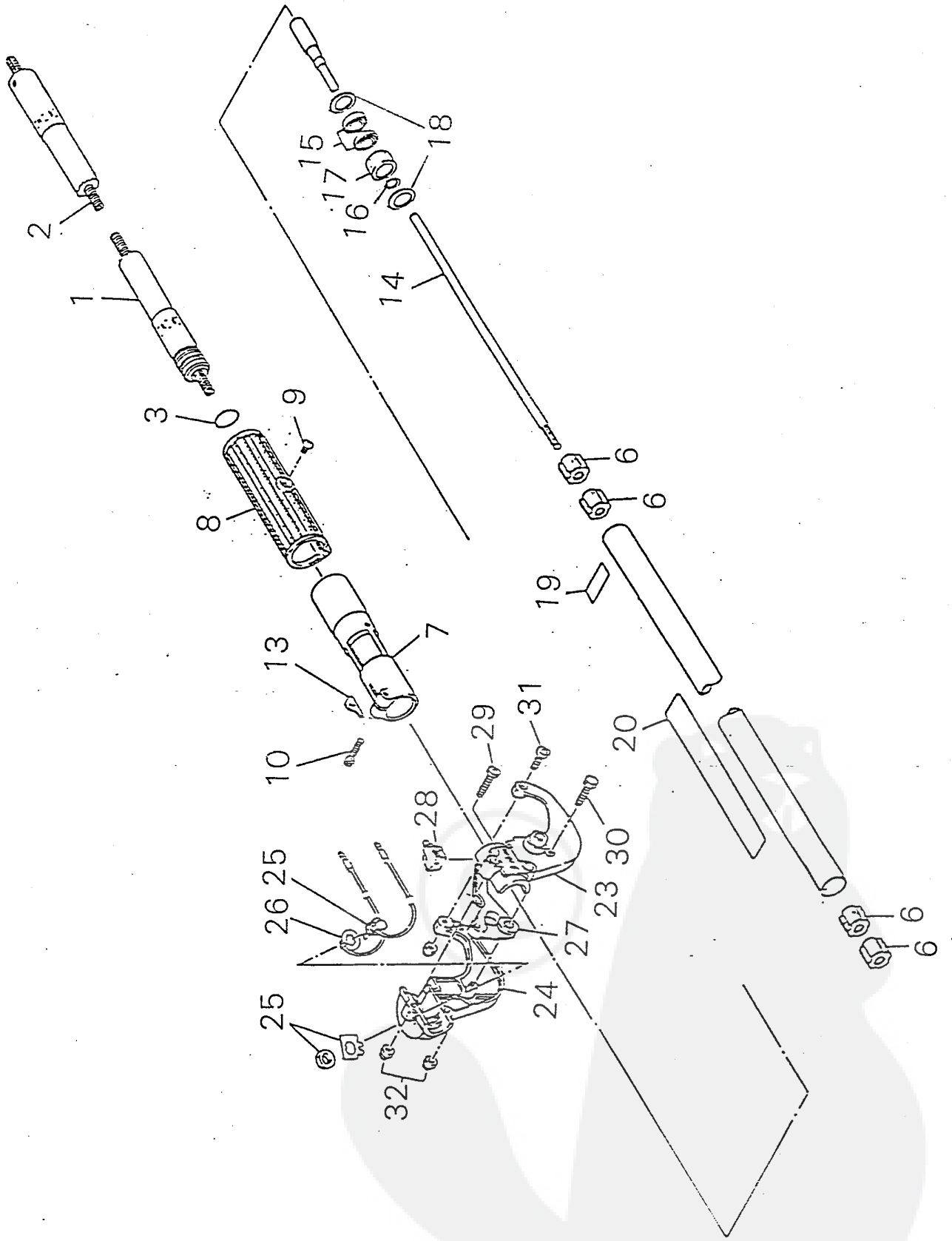


PRICE:(ST)

Ref. No	Part No.	Part Name	Q'ty	Unit Price	Remarks
7-	70055-85001	FUEL TANK ASSY	1		
1	20050-85110	• FUEL TANK	1		
2	20010-85201	• FUEL CAP ASSY	1		
3	20051-85410	• FUEL PIPE	1		
4	20051-85420	• CLIP	2		
5	20050-85461	• ELBOW	1		
6	11202-40100	• SCREW HILO	3		
	20051-85503	• FILTER ASSY	1		
7	20051-85510	•• FUEL PIPE	1		
8	20051-85521	•• FUEL PIPE A	1		
	22999-00001	•• FILTER SET	# 1		
41	20051-85540	•• FILTER A	1		
9	20051-85531	•• FILTER	1		
10	20050-85580	•• CLIP	1		
11	20050-85560	•• CLIP	1		
12	20051-85570	•• CLIP A	1		
13	20051-85590	•• SPRING	1		
14	20010-86140	BAND	2		
	70059-86001	FRAME ASSY	# 1		
15	20051-86111	• FRAME	1		
16	20051-86120	• PAD	1		
17	20051-86160	• CUSHION 18K	4		
18	01500-05041	• NUT	4		
19	01600-05131	• SPRING WASHER	4		
20	01610-05080	• WASHER	4		
21	70059-86200	• BAND ASSY	1		
22	20051-86320	• JOINT BAND	1		
23	01215-06140	• SCREW	2		
24	22011-97840	• LOCK NUT	2		
	20051-87001	BRACKET ASSY	1		
25	20050-87110	• BRACKET A	1		
26	20050-87120	• BRACKET B	1		
27	20050-87131	• RETAINER	1		
28	02002-06005	• BEARING	1		
29	11206-05100	• SCREW PM SPW	3		
30	02430-25120	• SNAP RING	1		
31	20050-87150	• STOP CUSHION	1		
32	20050-87160	• CUSHION	3		

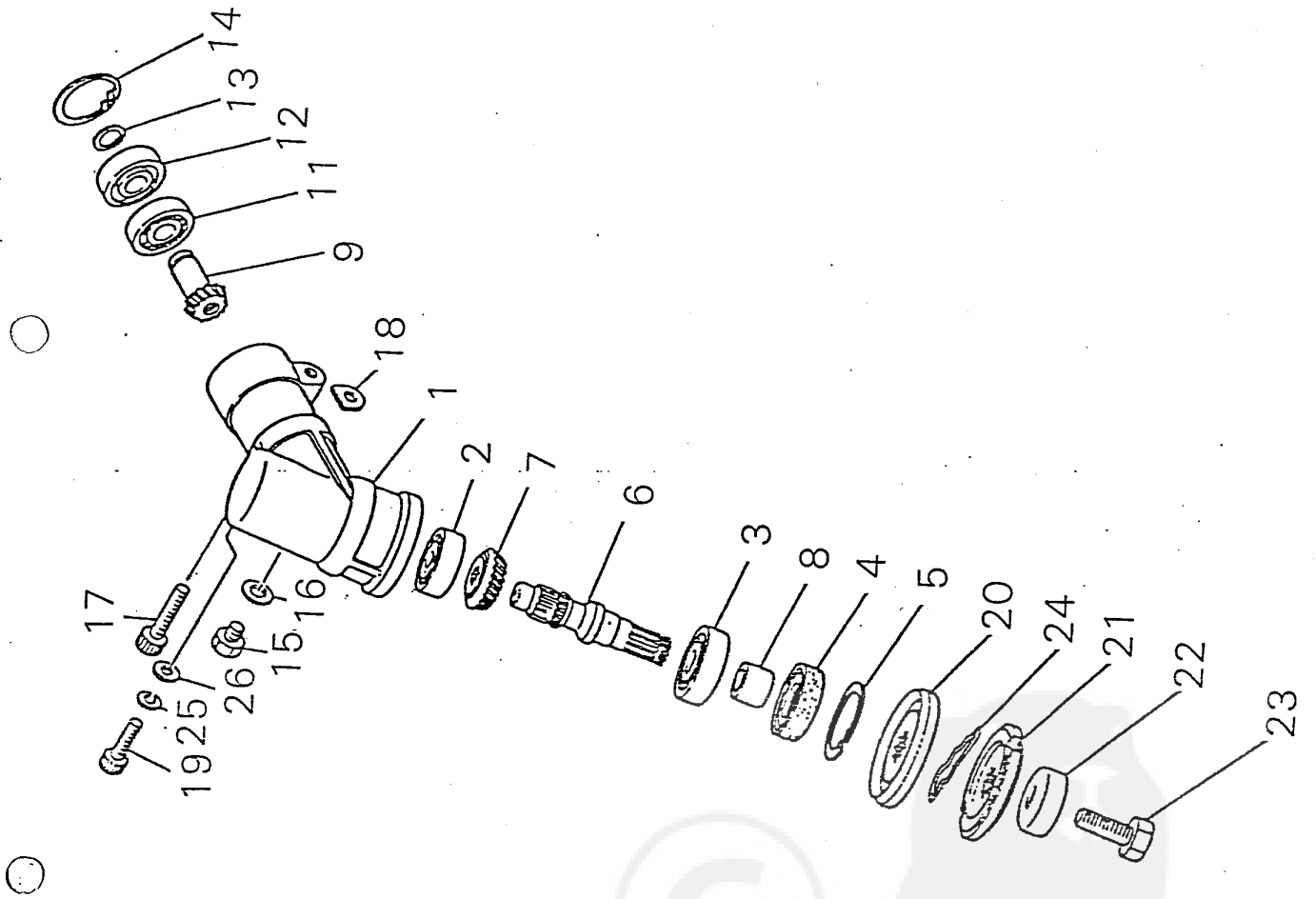
PARTS LIST
SHINDAIWA
(LI38 LIA0380P)

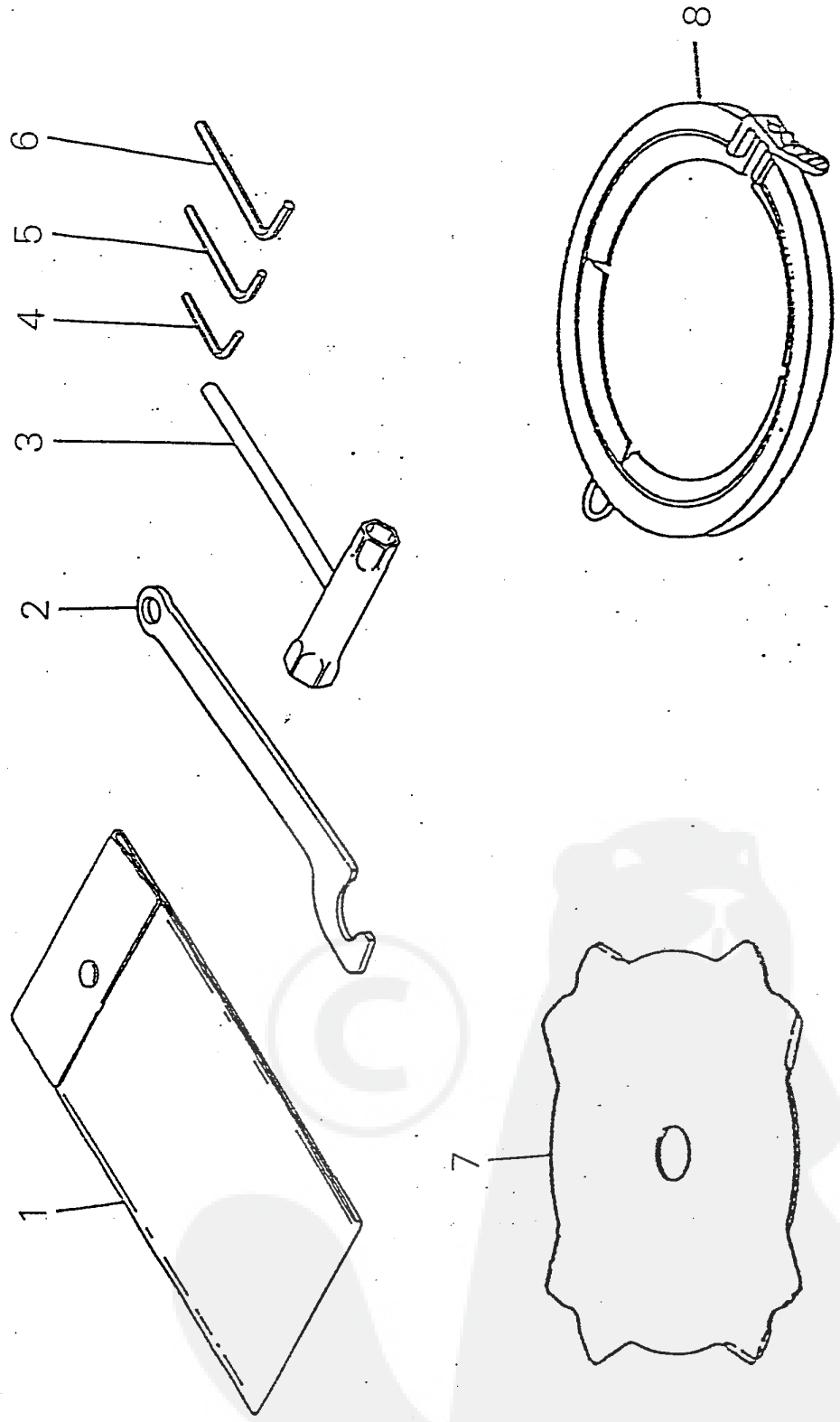
BP35/F

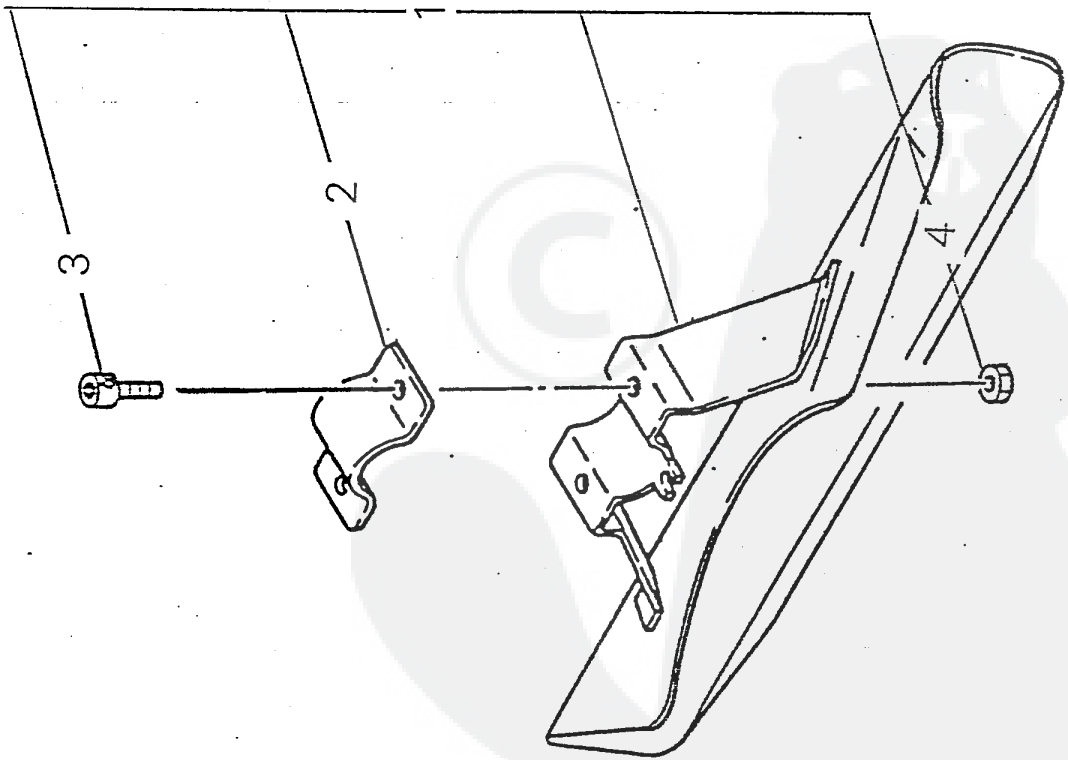
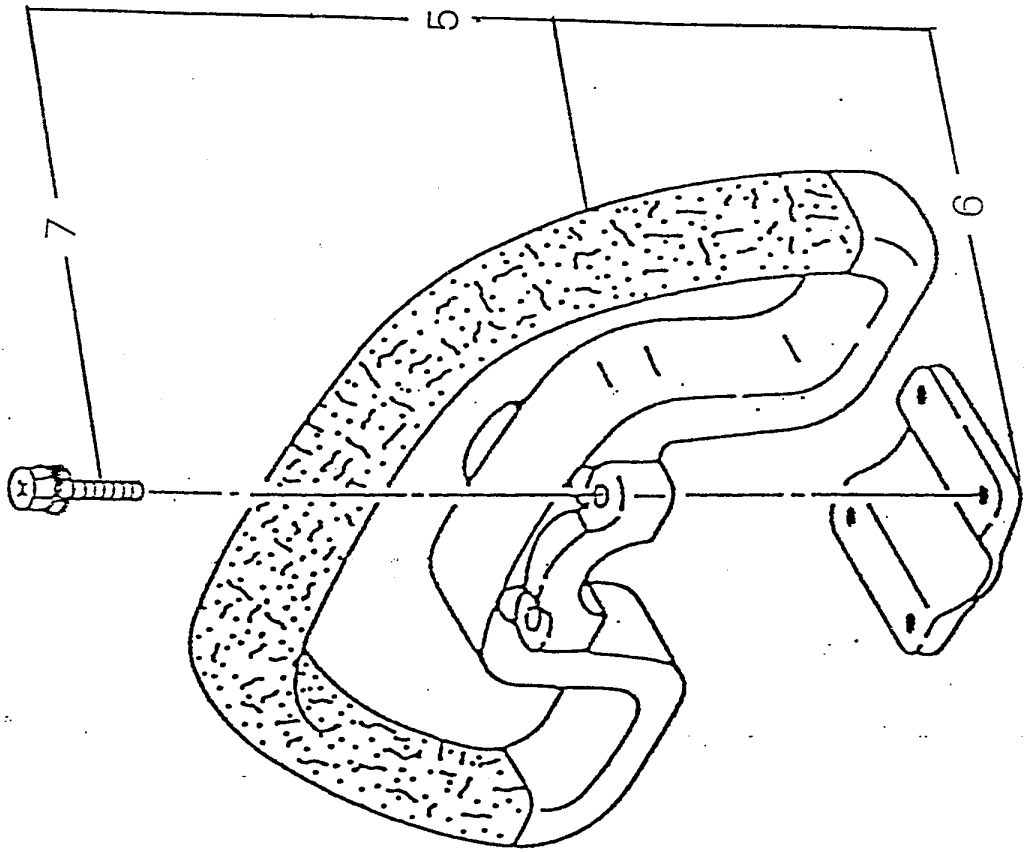


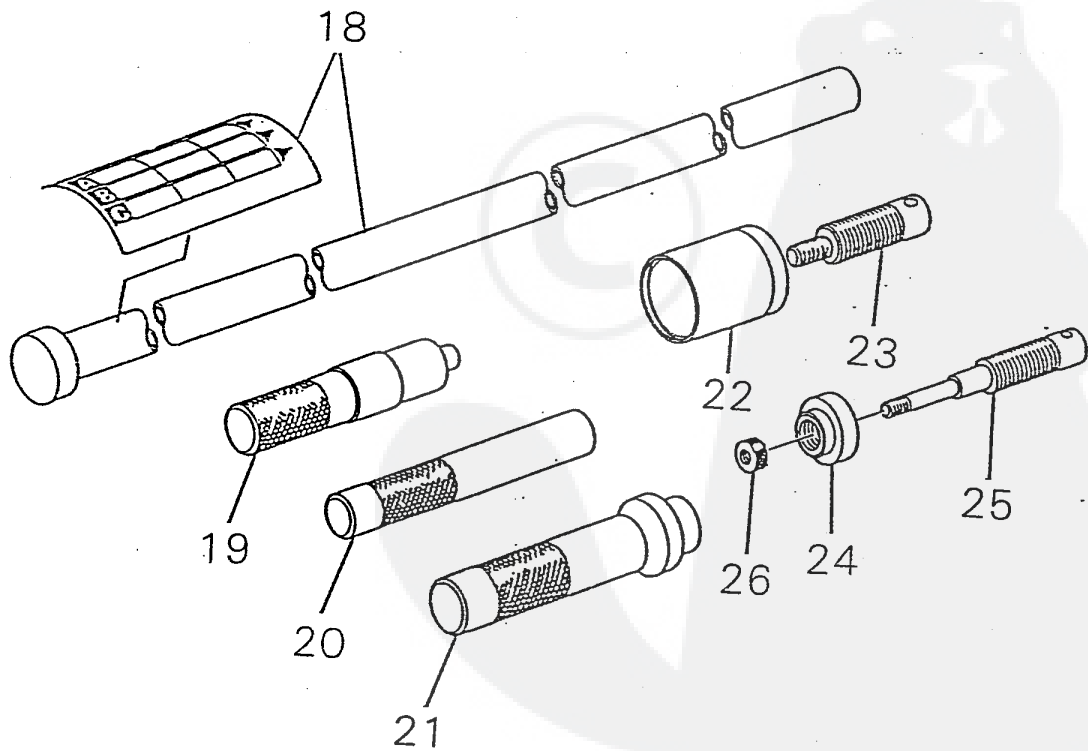
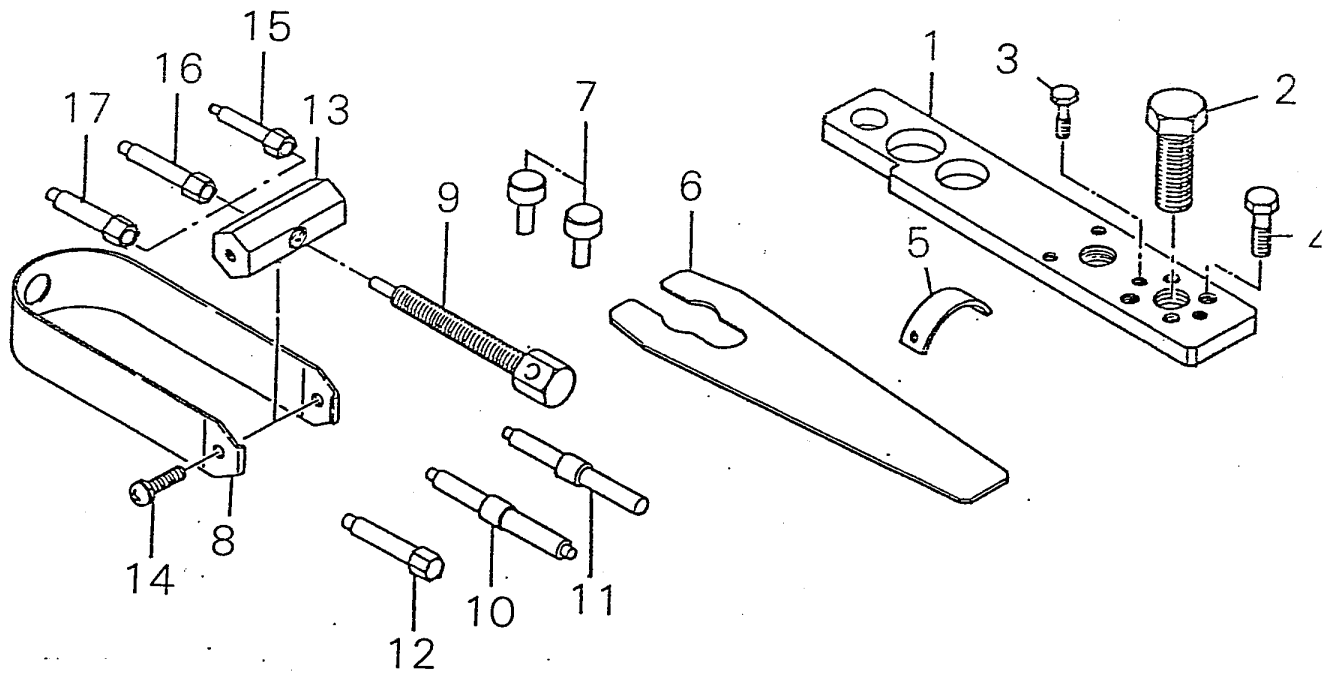
PRICE:(ST)

Ref. No	Part No.	Part Name	Q'ty	Unit Price	Remarks
8-	22051-11900	FLEXIBLE SET	1		
1	22051-11910	• FLEXIBLE PIPE	1		
2	22051-11920	• FLEXIBLE SHAFT	1		
3	22051-11140	• O RING	1		
	22050-12100	OUTER PIPE COMP	1		
6	22000-12120	• BUSHING	4		
	72051-12302	JOINT PIPE ASSY	1		
8	72051-12320	• GRIP	1		
9	22051-12340	• SCREW	1		
10	11022-06280	• BOLT SPW	1		
13	72051-12350	• SHIM	1		
14	22050-12411	MAIN SHAFT	1		
15	02002-06900	BEARING	2		
16	02430-10100	SNAP RING	1		
17	22050-12421	CUSHION	1		
18	22050-12430	THRUST PLATE	2		
19	72017-12150	HANDLE LABEL	1		
20	72005-12510	NAME PLATE	1		
	72051-12700	THROTTLE LEVER ASSY	1		
23	72051-12710	• BODY L SUB ASSY	1		
	72051-12770	• BODY R SUB ASSY	1		
24	72051-12780	•• BODY R	1		
25	72051-12790	•• SWITCH	1		
26	72051-12810	•• EARTH CORD	1		
27	72051-12820	• LEVER	1		
28	72051-12830	• CABLE GUIDE	1		
29	11203-05300	• SCREW PM	2		
30	01014-05250	• BOLT	1		
31	11203-05200	• SCREW PM	1		
32	72051-12840	• NUT	4		









PRICE:(ST)

Ref. No	Part No.	Part Name	Q'ty	Unit Price	Remarks
12-	20021-96001	OPTION TOOL SET #	1		
	20000-96104	• PULLER ASSY	1		
1	20000-96114	•• LEVER	1		
2	22100-96121	•• CENTER BOLT	1		
3	20000-96130	•• BOLT	3		
4	20000-96140	•• BOLT	2		
5	20000-96210	• AIR GAP GAUGE	1		
6	20000-96411	• ROTOR SPANNER	1		
7	20021-96420	• STOPPER	2		
	20021-96601	• PULLER ASSY	1		
8	20021-96611	•• PULLER	1		
9	20021-96621	•• BOLT	1		
10	20000-96631	•• GUIDE PIN	1		
11	20035-96630	•• GUIDE PIN	1		
12	20021-96630	•• GUIDE PIN	1		
13	20000-96640	•• BOSS	1		
14	01211-06120	•• SCREW	2		
15	20021-96650	•• PIN ADAPTER	1		
16	20021-96660	•• PIN ADAPTER	1		
17	20021-96670	•• PIN ADAPTER	1		
	22000-96003	OPTION TOOL SET #	1		
18	22000-96100	• ROD BUSHING ASSY	1		
19	22000-96210	• ROD 6000DDU	1		
20	22000-96310	• ROD 6000ZZ	1		
21	22000-96410	• ROD 6201	1		
	22000-96501	• PULLER ASSY	1		
22	22000-96510	•• HOLDER	1		
23	22000-96521	•• BOLT	1		
	22000-96600	• PULLER SUB ASSY	1		
24	22000-96610	•• HOLDER	1		
25	22000-96621	•• BOLT	1		
26	22000-96630	•• NUT	1		