

shindaiwa

PARTS

LIST

B 4 5

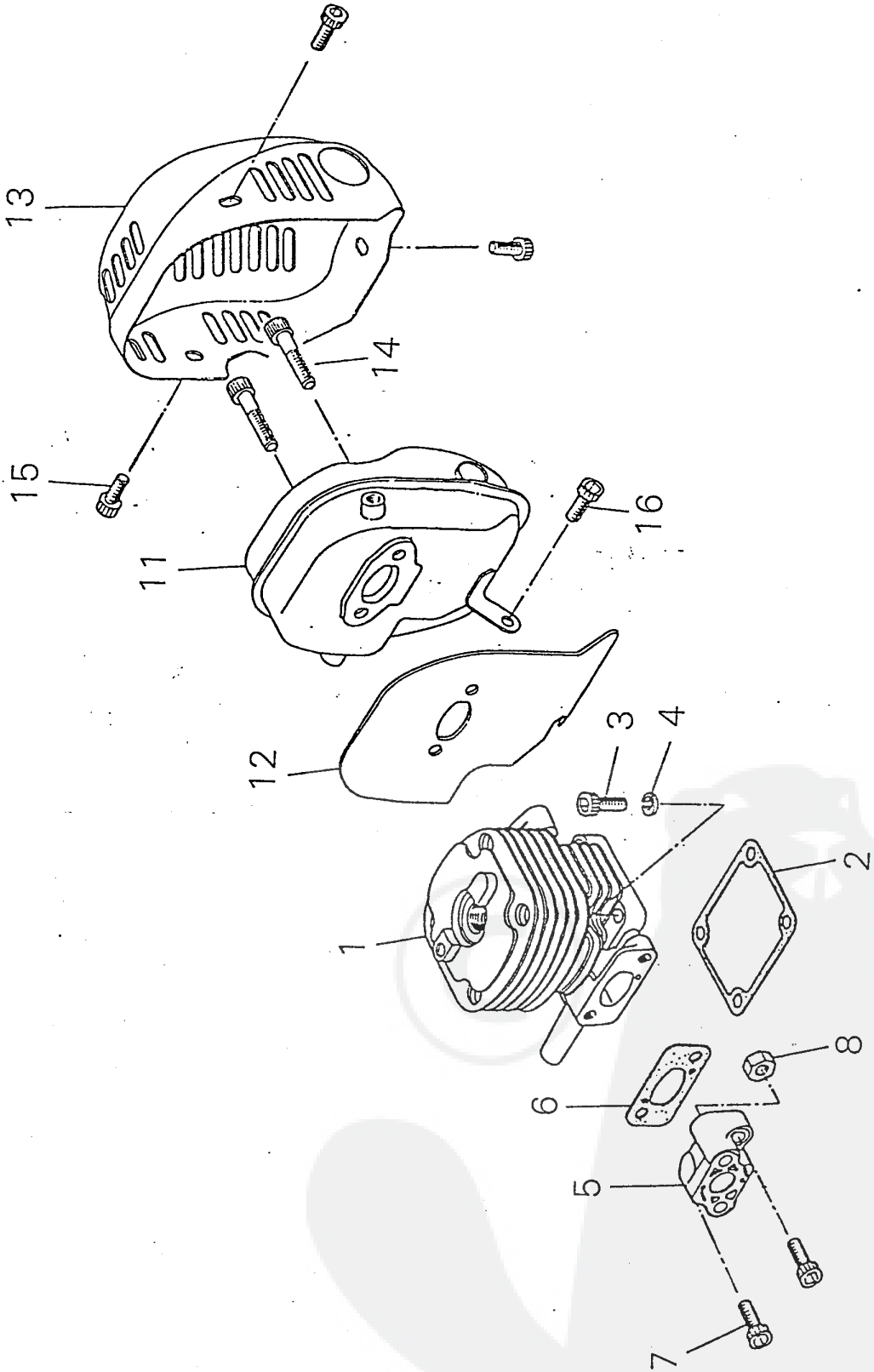
SHIN-DAIWA KOGYO CO., LTD.

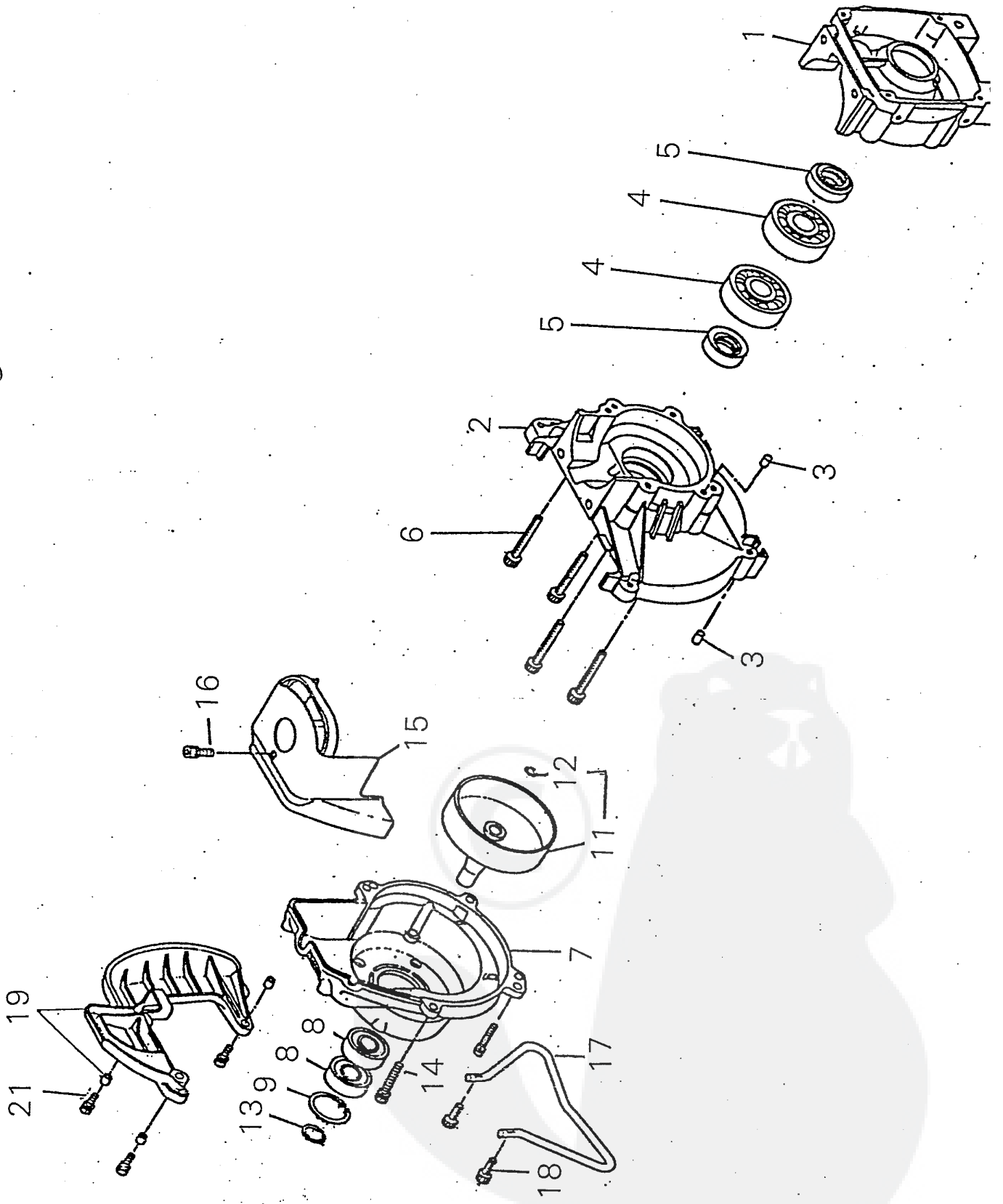
35, Ooaza Shin-Ujigami, Chiyoda-cho Yamagata-gun, Hiroshima, 731-14 Japan

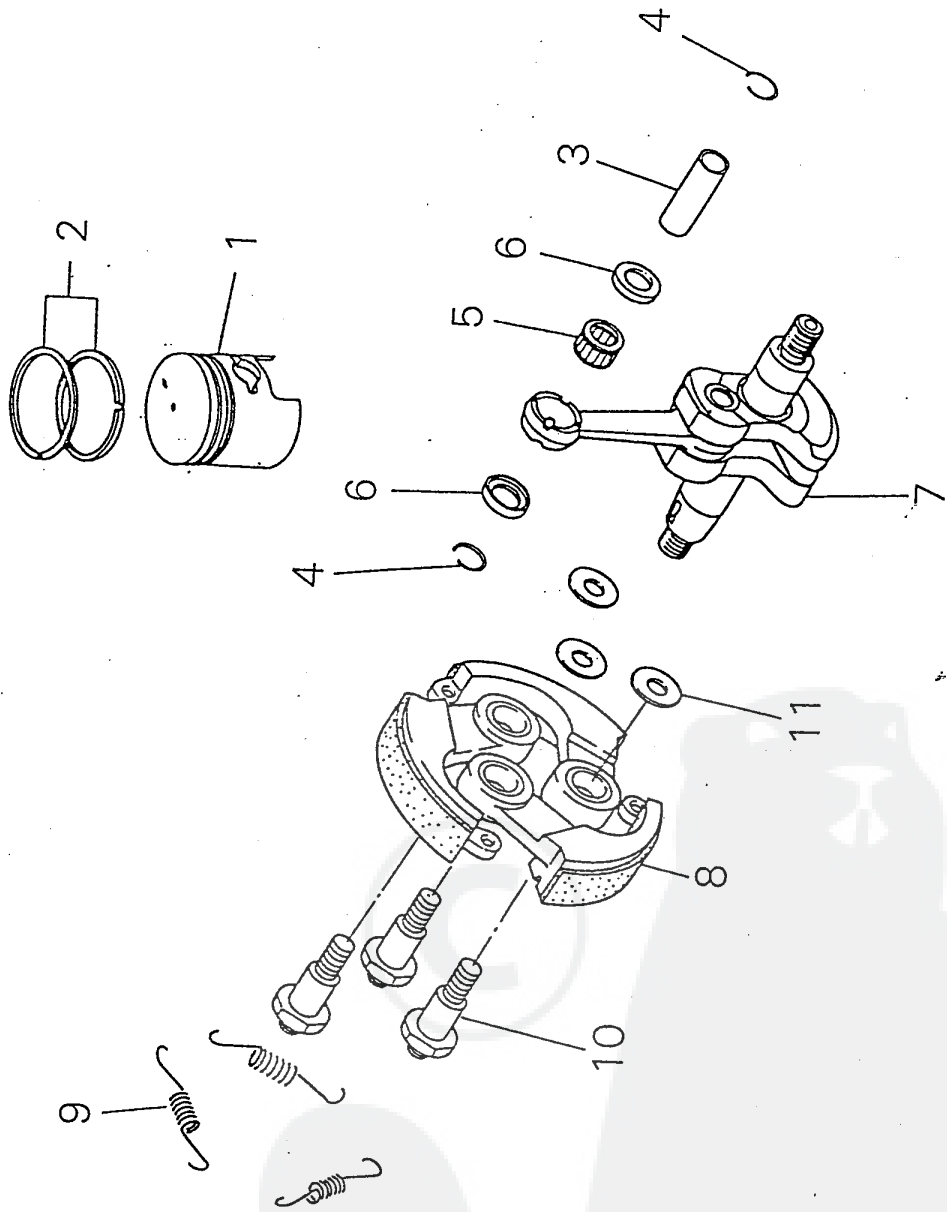
Telephone (082672) 6011 Telex 665871 SDKHIR Fax (082672) 6001, 6002

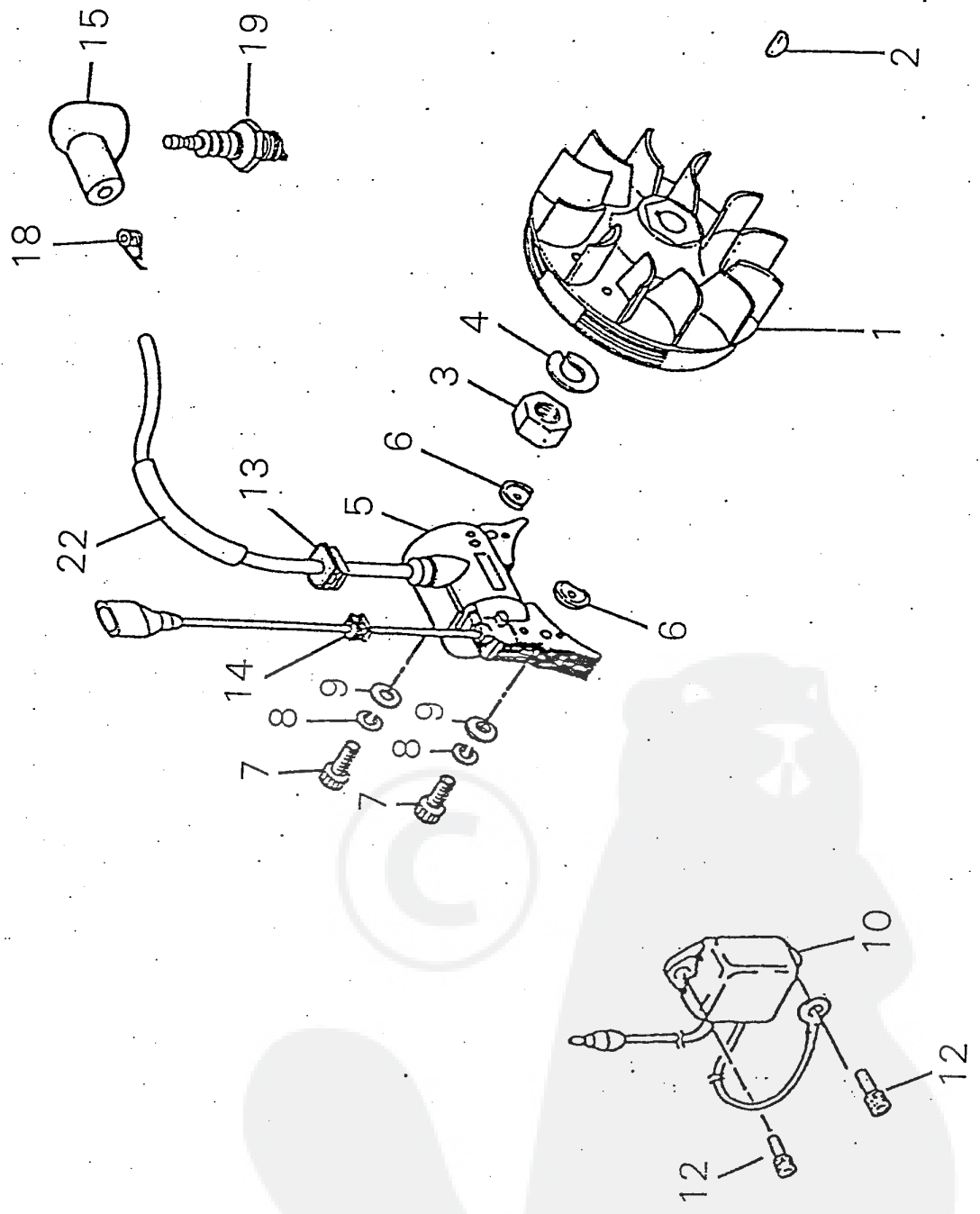
Cable Address SHINDAIWA HIROSHIMA

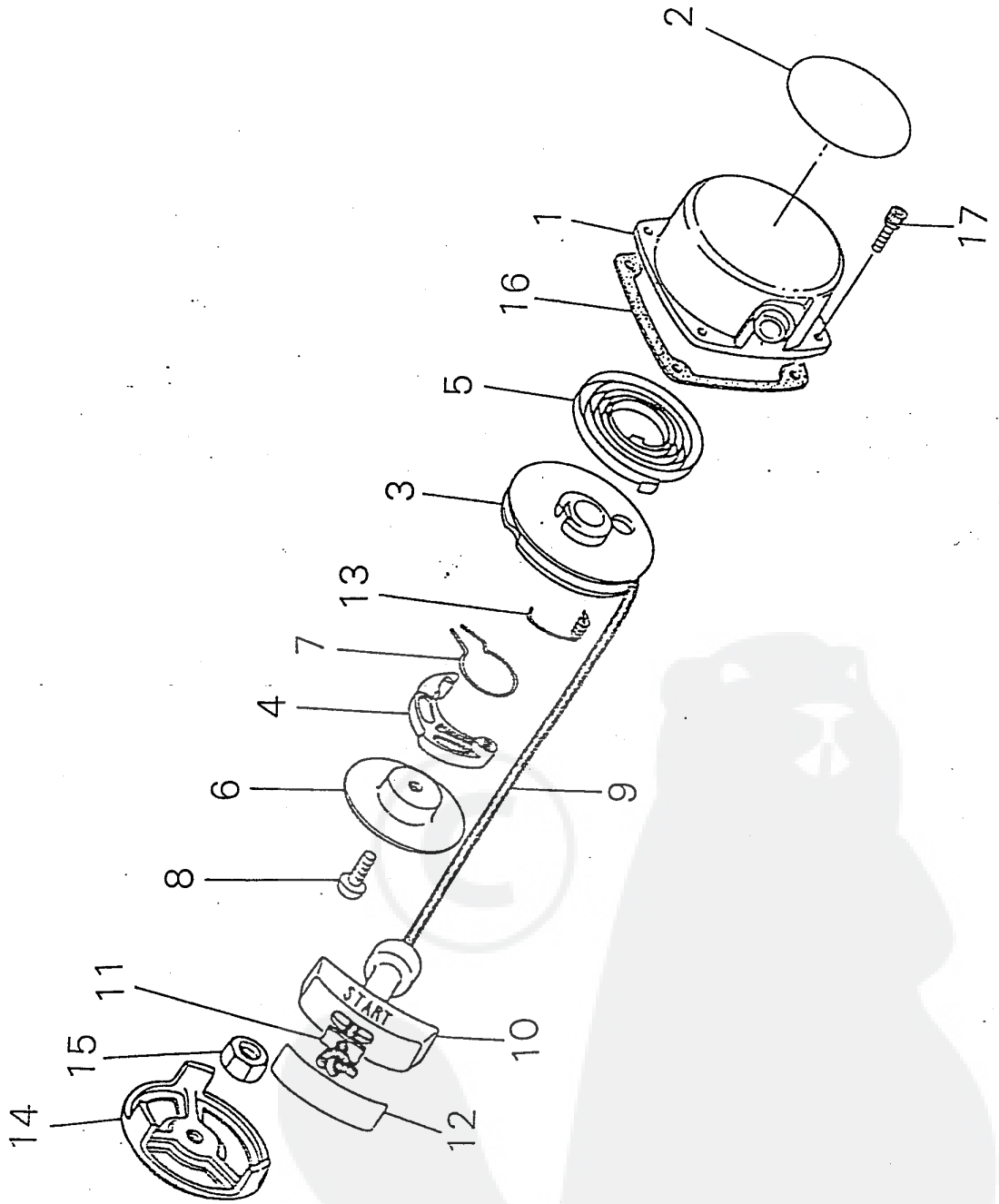
JUN. 20. 1991

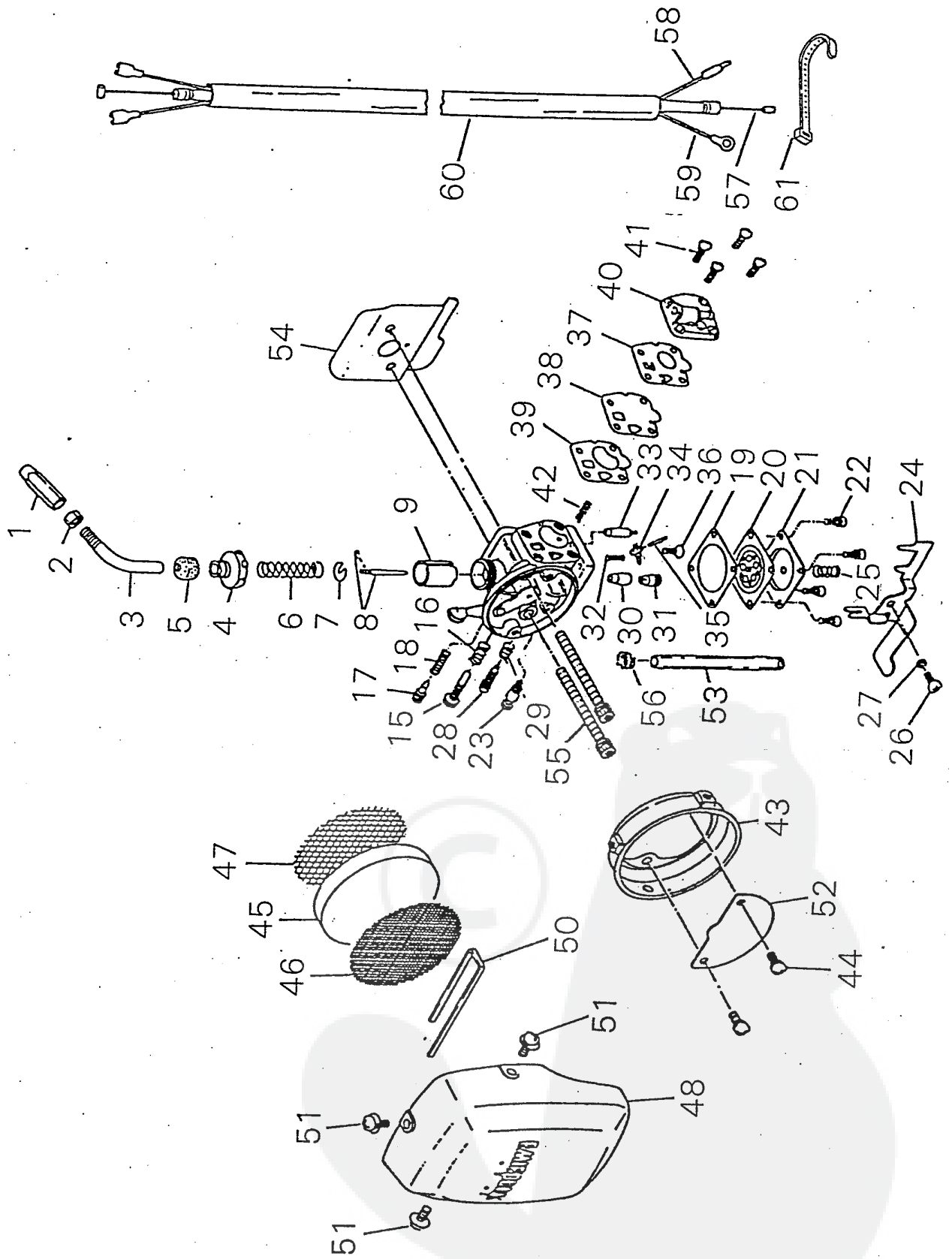












PRICE:(ST)

Ref. No	Part No.	Part Name	Q'ty	Unit Price	Remarks
6-	70108-81000	CARBURETOR ASSY	1		
	20021-81020	* CARBURETOR BODY SUB ASSY	1		
1	20055-81810	** CABLE ADJUSTER	1		
2	20000-81260	** LOCK NUT	1		
3	20055-81830	** ADJUST PIPE	1		
4	20021-81121	** BODY CAP	1		
5	20021-81130	** CAP	1		
6	20020-81140	** SPRING	1		
7	20020-81150	** SPRING RECIEVE	1		
8	20021-81171	** JET NEEDLE	1		
9	20021-81180	** THROTTLE VALVE	1		
15	20000-81310	** SLOW STOP SCREW	1		
16	20010-81820	** ADJUST SPRING	1		
17	20000-81330	** SLOW AIR SCREW	1		
18	20000-81340	** SPRING	1		
19	20020-81510	** GASKET	1		
20	20021-81520	** DIAPHRAGM	1		
21	20020-81530	** COVER DIAPHRAGM	1		
22	20000-81540	** SCREW	4		
23	20011-81550	** ORVER FLOW VALVE	1		
24	20021-81560	** TICKLER LEVER	1		
25	20011-81571	** SPRING	1		
26	20011-81581	** SCREW	1		
27	20011-81590	** COLLAR	1		
28	20020-81350	** ADJUST SCREW	1		
29	20011-81360	** SPRING	1		
30	20020-81410	** NEEDLE JET	1		
31	20020-81420	** JET HOLDER	1		
32	20021-81430	** VALVE SPRING	1		
33	20000-81441	** NEEDLE VALVE	1		
34	20020-81450	** LEVER	1		
35	20000-81460	** PIN	1		
36	20000-81470	** SCREW	1		
37	20020-81660	** PUMP VALVE	1		
38	20011-81621	** DIAPHRAGM	1		
39	20011-81630	** GASKET	1		
40	20021-81640	** PUMP BODY	1		
41	20000-81650	** SCREW	4		

PARTS LIST
SHINDAIWA
(LI38 LIA0380P)

B45/VK

