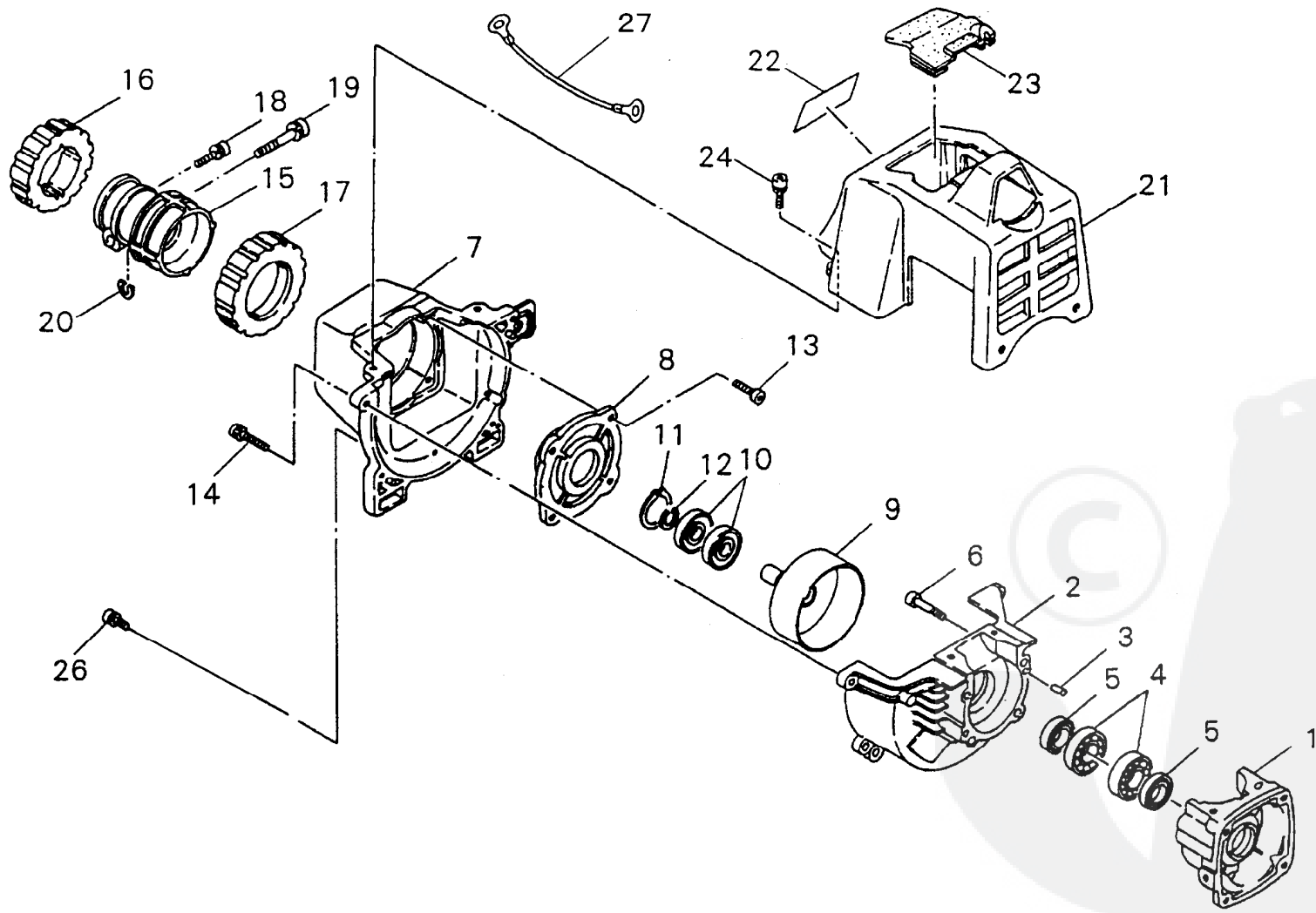
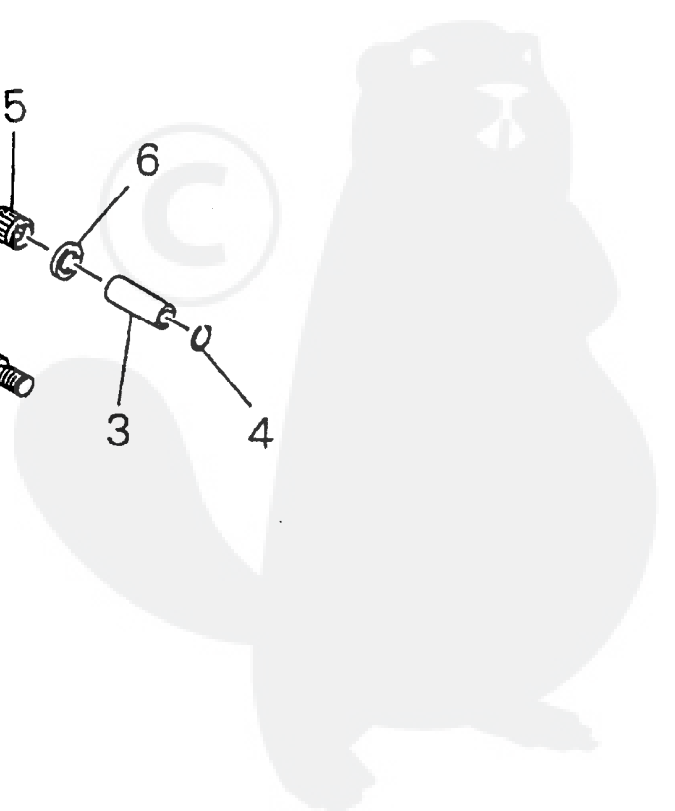
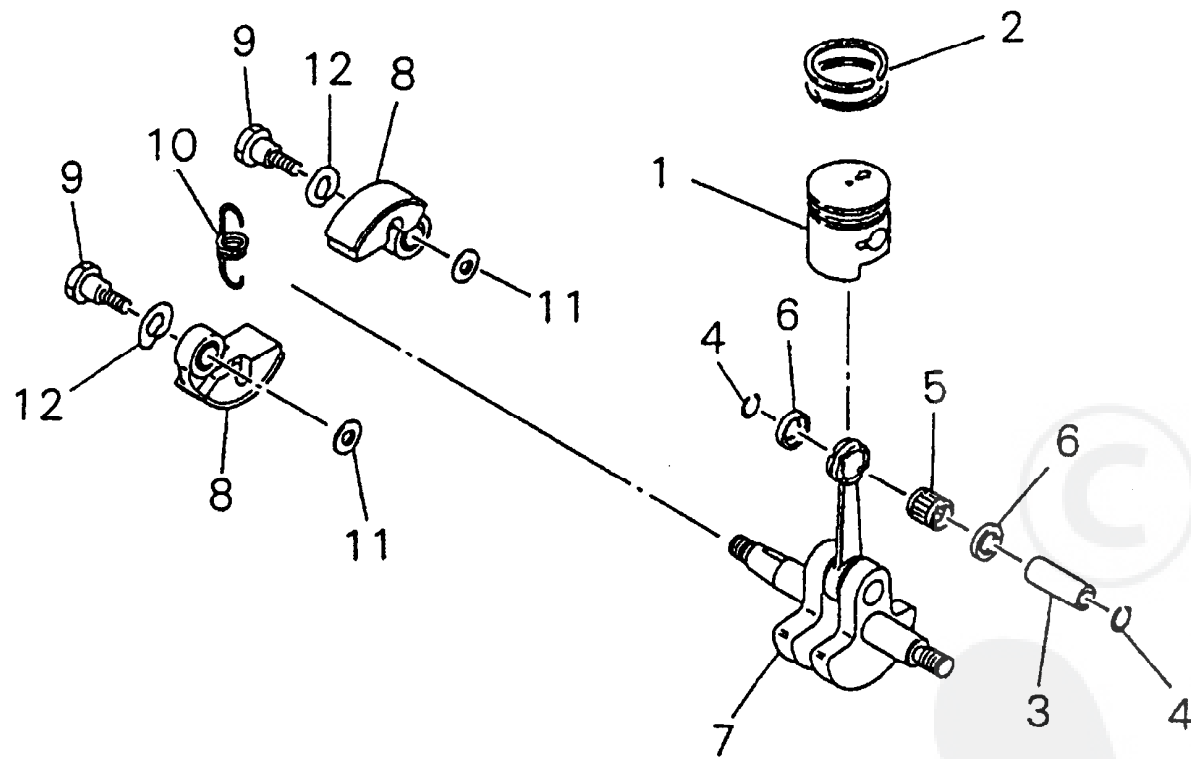


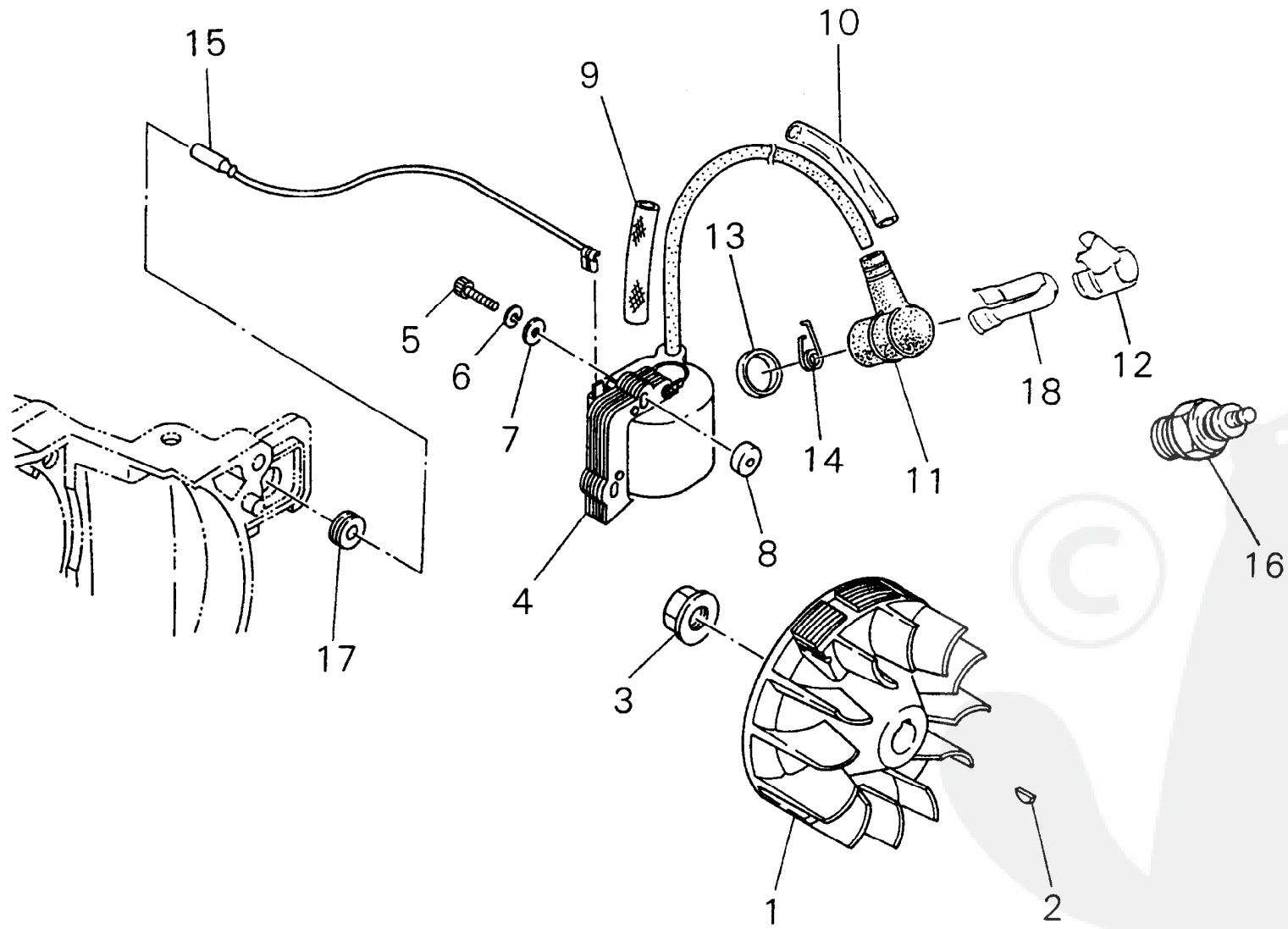
Ref. No	Part No.	Part Name	Q`ty
1- 1	20024-12110	CYLINDER	1
2	20024-12120	GASKETCYLINDER	1
3	11020-05160	BOLT SW	3
4	11020-05300	BOLT SW	1
5	70244-12210	INSULATOR	1
6	20024-12220	GASKETINSULATOR	1
7	20024-12260	NUT	2
8	11022-05200	BOLT SPW	2
9	20024-15116	MUFFLER	1
10	70102-15180	MUFFLERGUARD	1
11	20024-15210	GASKETMUFFLER	1
12	01020-05550	BOLT	2
13	01610-05080	WASHER	2
14	11022-05120	BOLT SPW	1
15	11022-05160	BOLT SPW	2



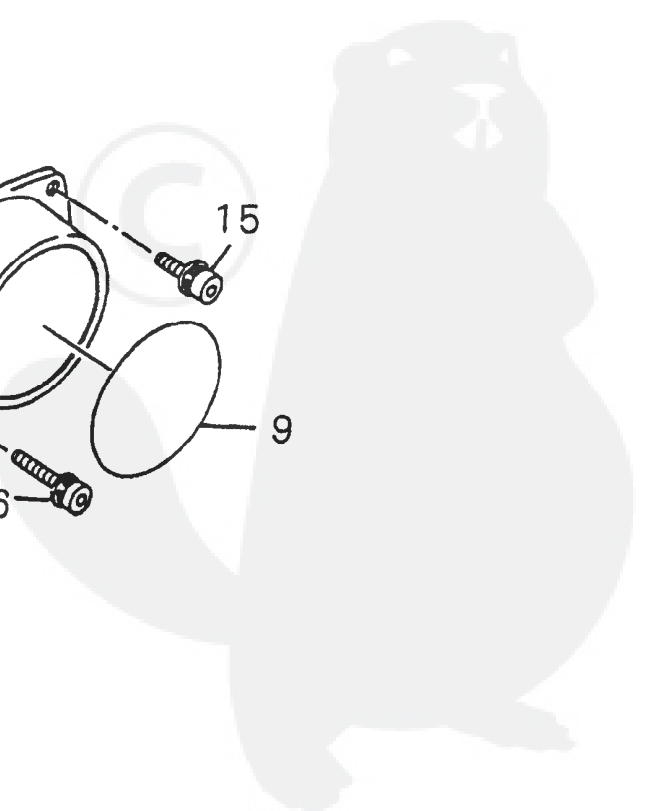
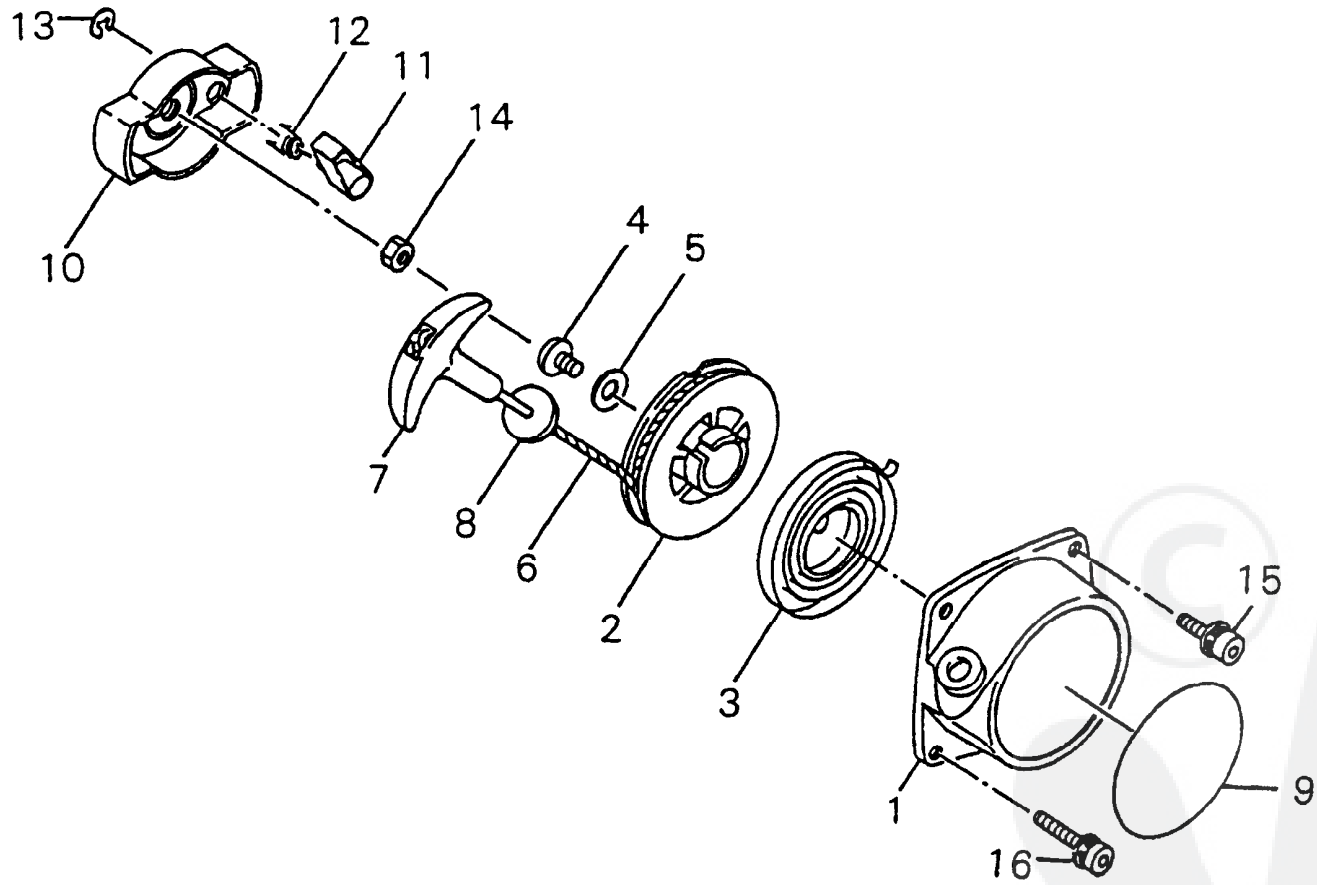
2-	20024-21000	CRANKCASEASSY	1
1	20024-21110	*CRANKCASES	1
2	20024-21120	*CRANKCASEM	1
3	12492-50100	*ROLLER	2
4	02030-06201	*BEARING	2
5	20000-21211	*OILSEAL	2
6	01020-05250	*BOLT	4
7	70102-31110	FANCOVER	1
8	20024-31130	CLUTCHCASE	1
9	20024-31151	CLUTCHDRUM	1
10	02036-06001	BEARING	2
11	02432-28120	SNAPRING	1
12	20000-31140	SNAPRING	1
13	11022-05160	BOLTSPW	4
14	11020-05180	BOLTSPW	2
15	20024-31410	JOINT	1
16	20024-31421	FRONTCUSHION	1
17	20024-31431	REARCUSHION	1
18	11022-05160	BOLTSPW	1
19	11022-06280	BOLTSPW	1
20	20024-31460	SHIM	1
21	70102-31211	CYLINDERCOVER	1
22	62000-91020	LABELTRADE	1
23	20024-31231	DUSTCAP	1
24	11022-05160	BOLTSPW	2
26	11022-05200	BOLTSPW	2
27	70192-31510	EARTHCORD	1



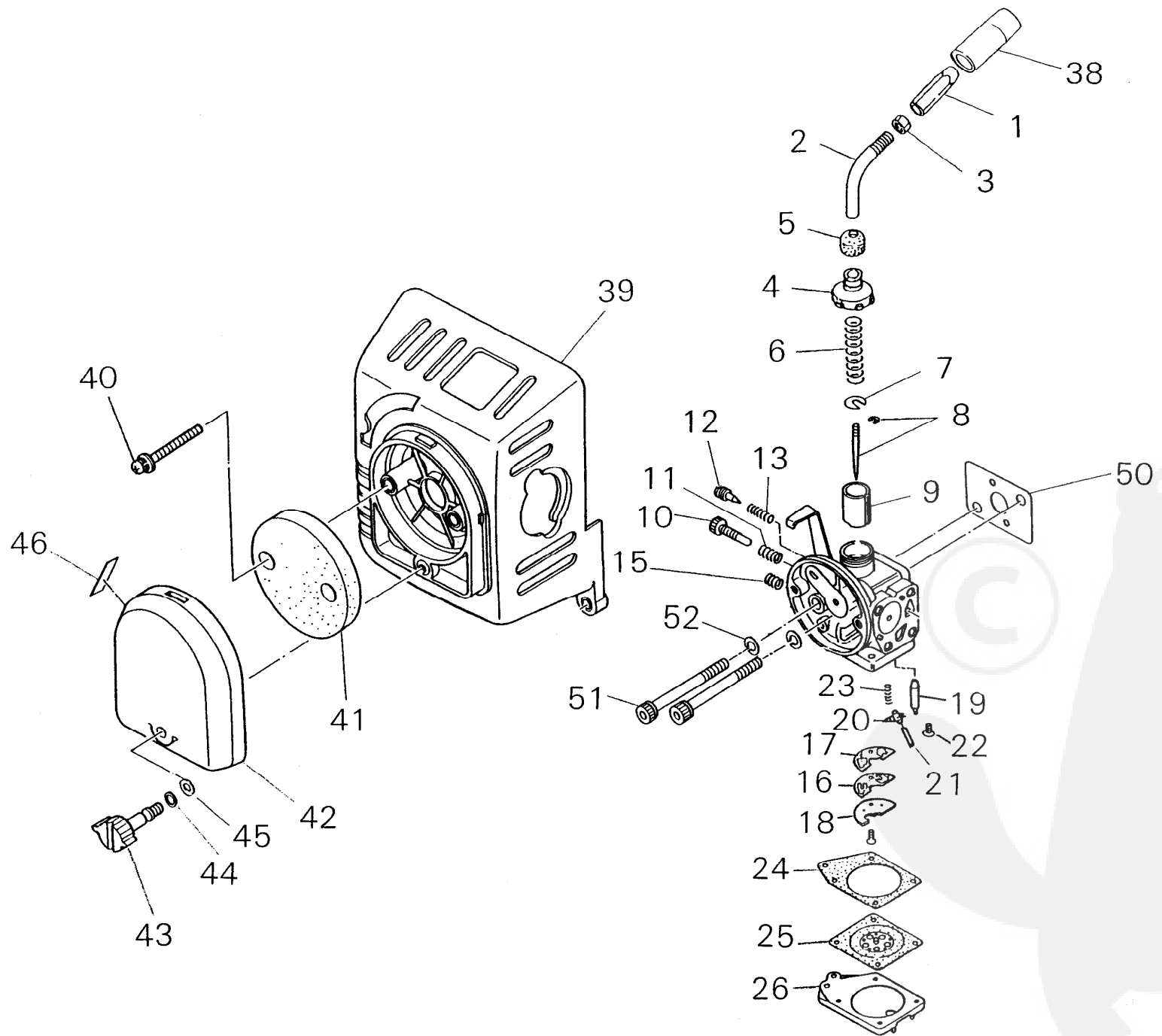
3- 1	20024-41110	PISTON	1
2	20024-41210	PISTONRING	2
3	20024-41311	PISTONPIN	1
4	20000-41320	SNAPRING	2
5	20000-41330	NEEDLEBEARING	1
6	20000-41341	THRUSTWASHER	2
7	20024-42001	CRANKSHAFTASSY	1
	70102-51100	CLUTCHSHOEASSY	1
8	70102-51110	*CLUTCHSHOE	2
9	20024-51210	*CLUTCHBOLT	2
10	70102-51220	*SPRING	1
11	22100-71430	*WASHER	2
12	20087-51231	*SPRINGPLATE	2



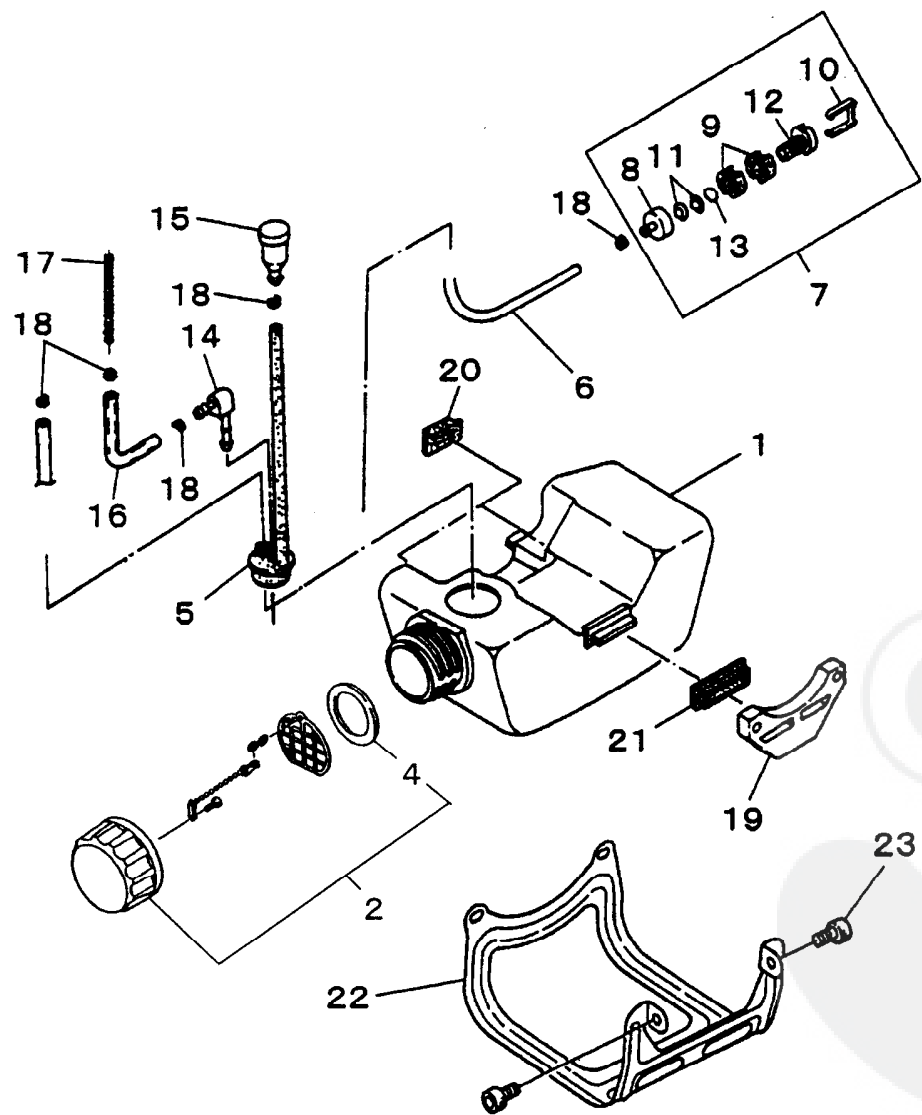
4- 1	20024-71201	ROTOR	1
2	02403-03100	KEY	1
3	20035-71220	NUT	1
4	20024-71610	COIL	1
5	01020-04300	BOLT	2
6	01600-04101	SPRINGWASHER	2
7	01613-04080	WASHER	2
8	70030-71620	INSULATOR	2
9	20024-72112	TUBE	1
10	70168-71660	TUBE	1
11	20010-72221	PLUGCAP	1
12	20000-72241	PLUGCAPCOVER	1
13	20000-72250	COVERBAND	1
14	20000-72230	SPRINGSPARKPLUG	1
15	70102-74130	CORD	1
16	13000-13506	SPARKPLUGBPMR6A	1
17	70105-31520	GROMMET	1
18	70180-72260	SHIELD	1



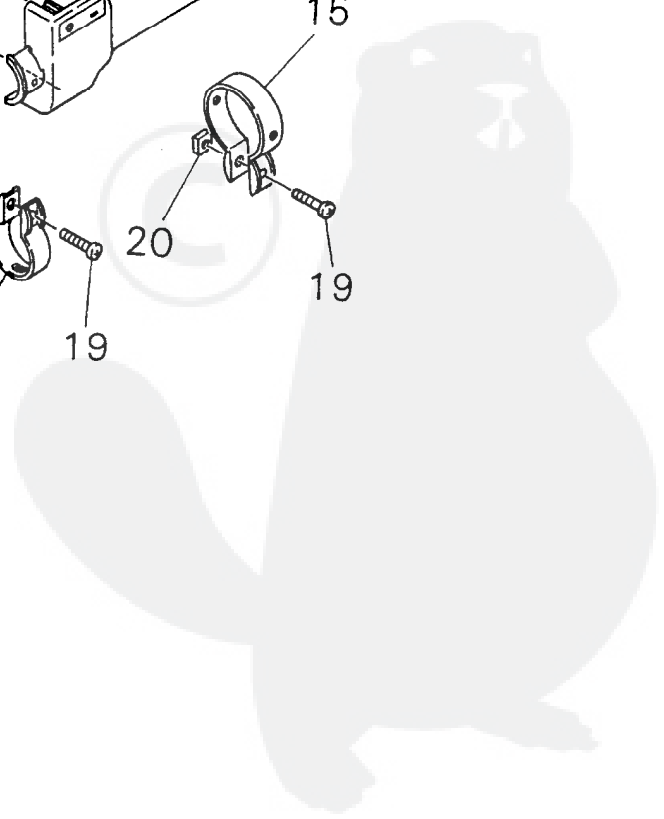
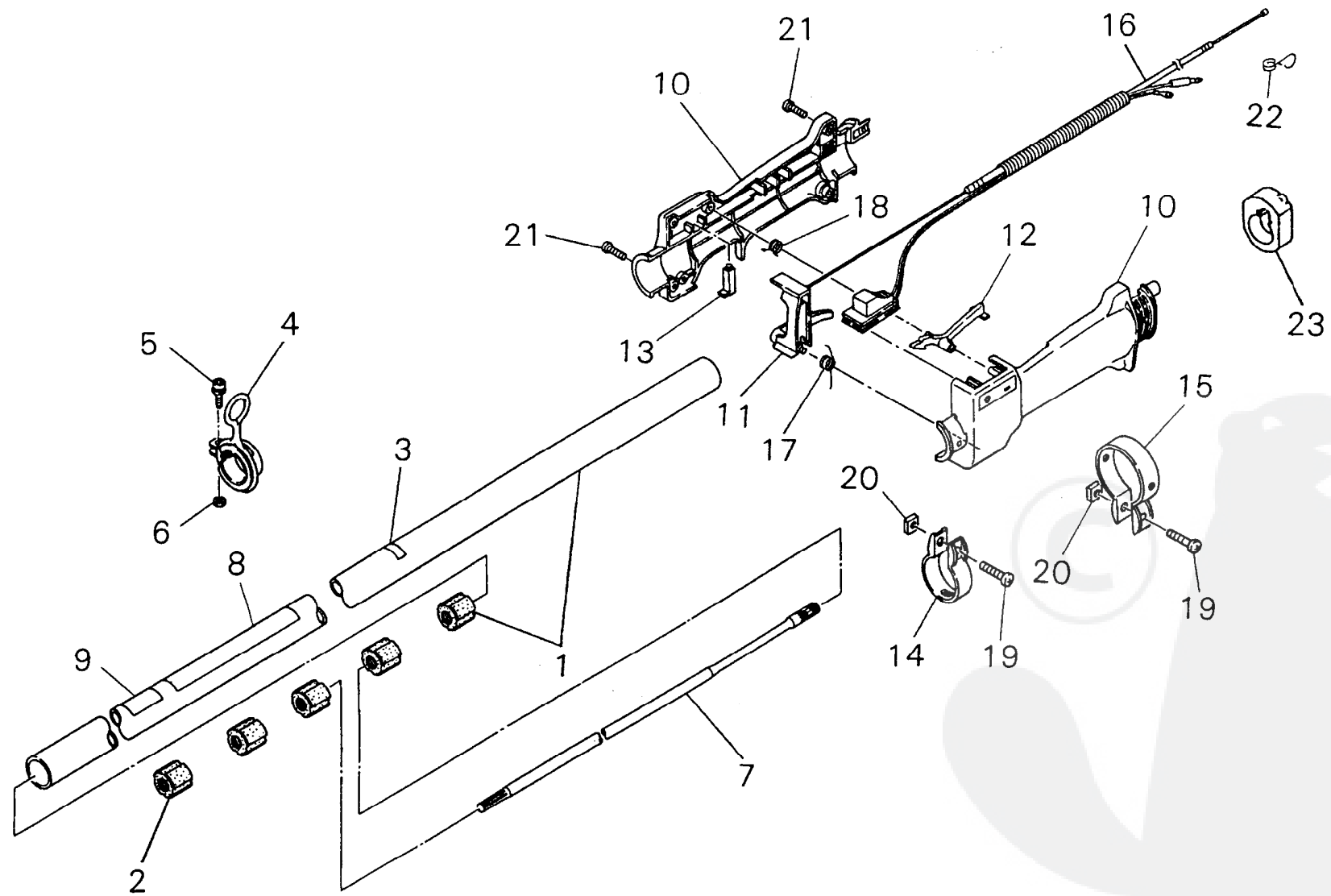
5-	70102-75101	RECOILSTARTERSUBASSY	1
1	70102-75111	*STARTERCASE	1
2	20024-75120	*REEL	1
3	20024-75130	*RECOILSPRING	1
4	20035-75170	*SCREW	1
5	20024-75140	*WASHER	1
6	20024-75160	*ROPE	1
7	20024-75190	*STARTERKNOB	1
8	20024-75180	*DAMPER	1
9	70005-75240	*NAMEPLATE	1
	20024-75200	STARTERPULLYSUBASSY	1
10	20024-75210	*STARTERPULLEY	1
11	20024-75220	*RATCHET	1
12	20024-75230	*RETURNSPRING	1
13	20024-75240	*ERING	1
14	20035-43230	NUT	1
15	11022-05160	BOLTSPW	2
16	11022-05250	BOLTSPW	2



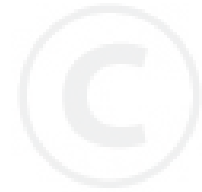
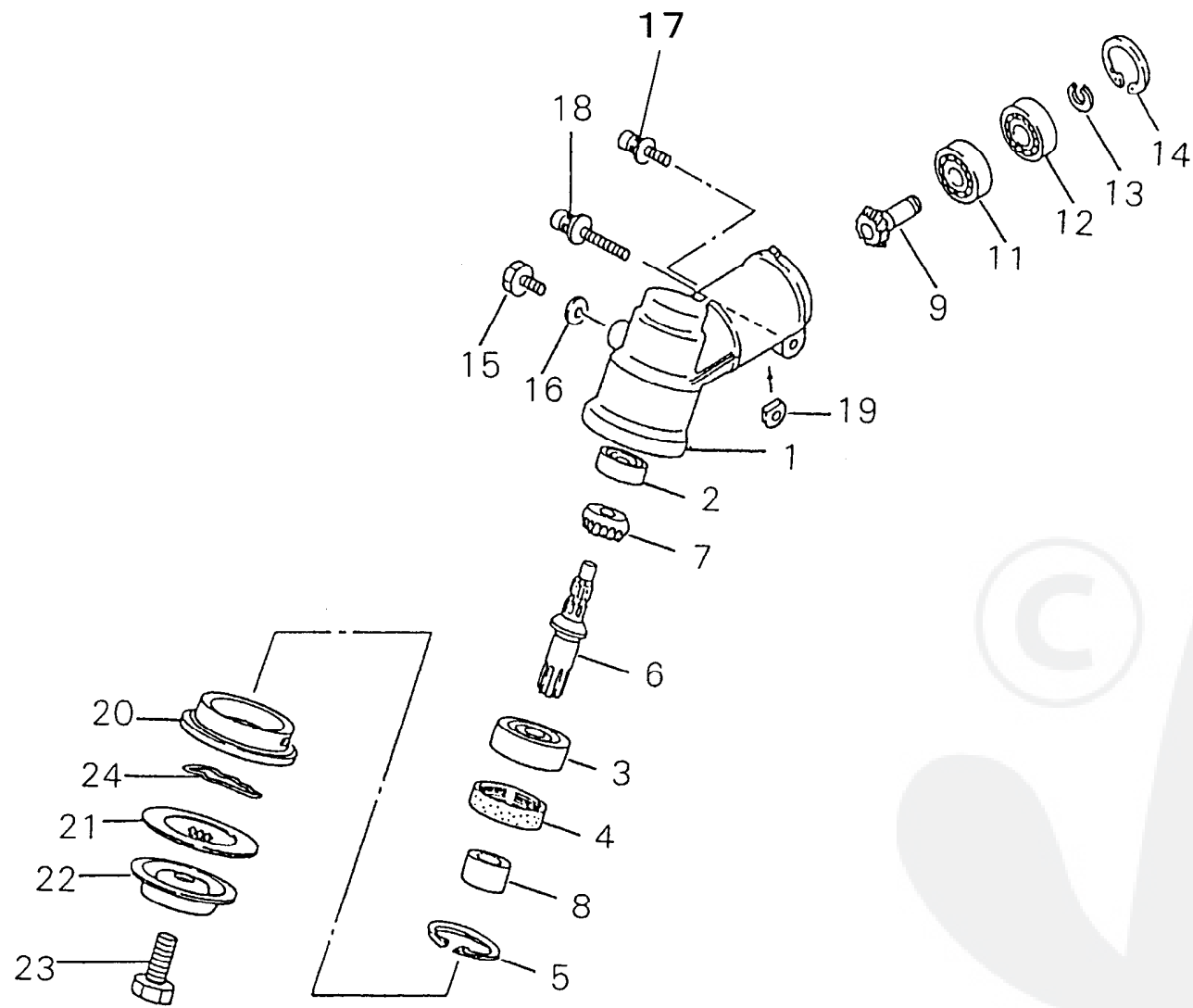
6-	62000-81010	CARBURETORASSY	1
1	20055-81810	*CABLEADJUSTER	1
2	70107-81830	*ADJUSTPIPE	1
3	20000-81260	*LOCKNUT	1
4	20055-81120	*BODYCAP	1
5	20055-81130	*CAP	1
6	20003-81140	*THROTTLESPRING	1
7	20000-81150	*SPRINGRECEIVE	1
8	20056-81210	*JETNEEDLE	1
9	70170-81180	*THROTTLEVALVE	1
10	20000-81310	*SLOWSTOPSCREW	1
11	72920-81820	*SPRING	1
12	20000-81330	*SLOWAIRSCREW	1
13	20000-81340	*SPRING	1
15	20011-81360	*SPRING	1
16	20087-81411	*CHECKVALVE	1
17	20087-81420	*PACKING	1
18	20087-81430	*PLATE	1
19	20000-81441	*NEEDLEVALVE	1
20	20019-81450	*CONTROLLEVER	1
21	20011-81460	*PIN	1
22	20011-81470	*SCREW	2
23	20087-81480	*SPRING	1
24	20087-81510	*GASKET	1
25	20087-81520	*DIAPHRAGM	1
26	20087-81531	*COVERSUBASSY	1
38	20005-83160	CABLECAP	1
39	70102-81710	CLEANERBODY	1
40	11207-04250	SCREWPMPLPW	2
41	20056-81740	FILTER	1
	20024-81800	CLEANERCOVERSUBASSY	1
42	20024-81770	· CLEANERCOVER	1
43	20115-81780	· KNOBCLEANERCOVER	1
44	22100-82430	· ORING	1
45	20024-81790	· CONEWASHER	1
46	19404-00008	· LABELCHOKE	1
50	70244-83410	GASKETCARBURETOR	1
51	01020-05650	BOLT	2
52	01600-05130	SPRINGWASHER	2



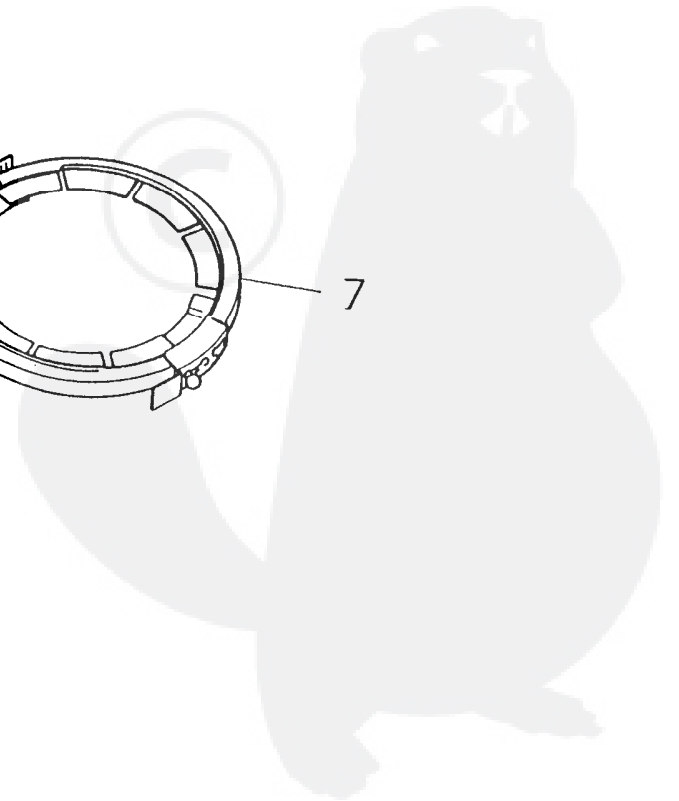
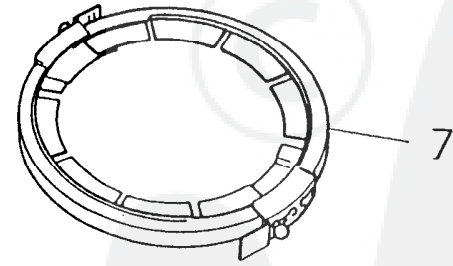
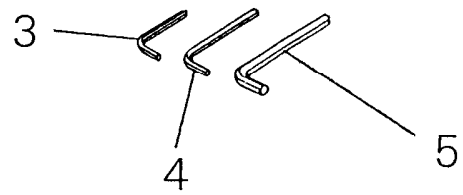
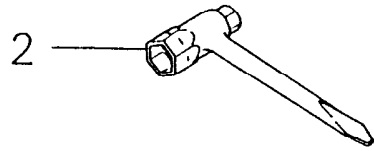
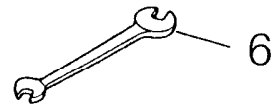
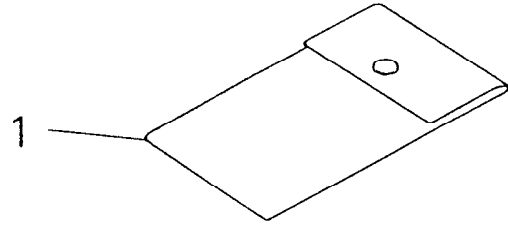
7- 1	70244-85110	FUELTANK	1
2	70168-85201	FUELCAPASSY	1
4	20000-85221	*GASKET	1
5	20089-85350	GROMMET	1
6	70170-85310	FUELPIPE	1
7	22115-85401	FUELFILTERSUBASSY	1
8	22128-85410	*WEIGHTFUEL	1
9	22128-85421	*FILTER	2
10	22128-85440	*CLIPFILTER	1
11	22118-85460	*SCREEN	2
12	22128-85470	*SLEEVE	1
13	22128-85480	*RING	1
14	20087-85340	JOINT	1
15	22197-33960	VALVE	1
16	70170-83311	PIPE	1
17	20019-83320	SPRING	1
18	20020-85540	CLIP	5
19	20024-86112	TANKHOLDER	1
20	20024-86120	TANKCUSHION	2
21	20024-86130	TANKCUSHION	1
22	70103-86130	TANKGUARD	1
23	11022-05120	BOLTSPW	2



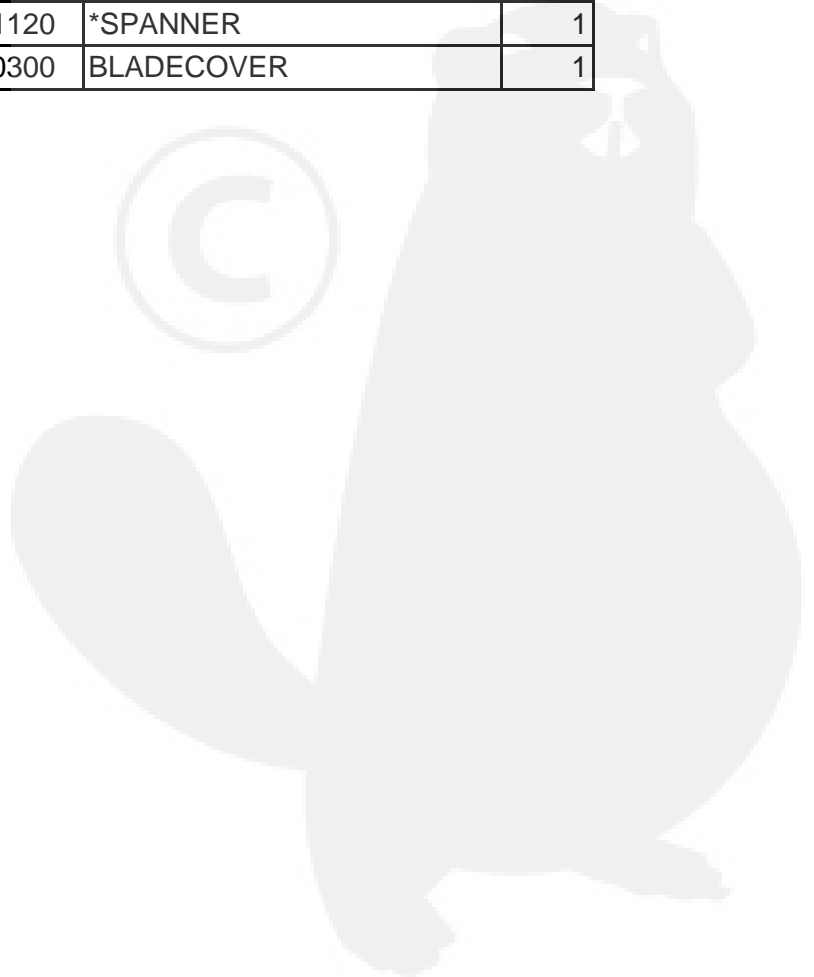
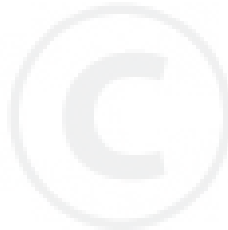
8- 1	22024-12102	OUTERPIPESUBASSY	1
2	22024-12120	*BUSH	5
3	72017-12150	HANDLELABEL	1
4	22009-12210	HANGER	1
5	11022-05120	BOLTSPW	1
6	01500-05041	NUT	1
7	22000-12413	MAINSHAFT	1
8	19422-00010	LABELCAUTION	1
9	19402-00223	LABELCAUTION	1
	72430-12702	THROTTLELEVERASSY	1
10	72430-12800	*BODYSUBASSY	1
11	72430-12730	*LEVER	1
12	72430-12740	*LOCKLEVER	1
13	72451-14550	*BUTTON	1
14	72451-14560	*CLAMP	1
15	72430-12750	*CLAMP	1
16	72430-12762	*THROTTLECABLECOMP	1
17	72451-14580	*RETURNSPRING	1
18	72451-14590	*SPRING	1
19	11203-06200	*SCREW	2
20	72451-14610	*NUT	2
21	72451-14620	*SCREWTAPPING	4
22	20024-83152	CABLEHOLDER	1
23	72430-12190	HOLDER	1

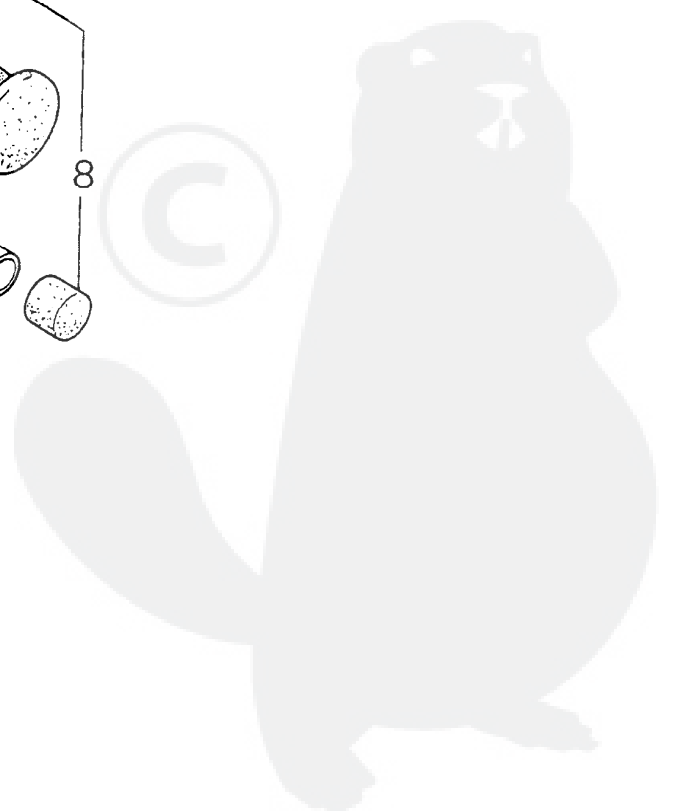
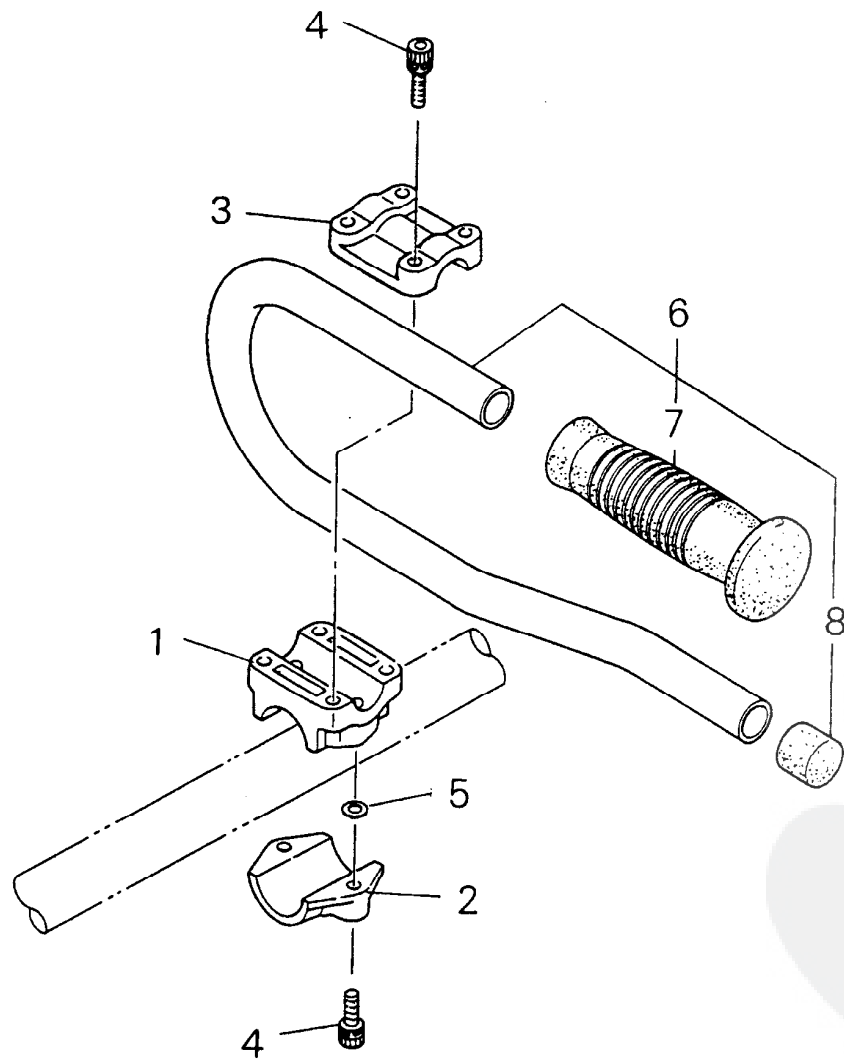


9-	72435-13013	GEARCASESUBASSY	1
1	72435-13112	*GEARCASE	1
2	02046-00609	*BEARING	1
3	02000-06201	*BEARING	1
4	22024-13121	*OILSEAL	1
5	02432-32120	*SNAPRING	1
6	72435-13210	*GEARSHAFT	1
7	22024-13220	*BEVELGEAR	1
8	22000-13230	*COLLAR	1
9	22024-13391	*PINIONSET	1
11	02000-06901	*BEARING	1
12	02002-06901	*BEARING	1
13	20000-31140	*SNAPRING	1
14	02432-24120	*SNAPRING	1
15	22015-13410	*BOLT	1
16	22015-13420	*GASKET	1
17	11022-05160	*BOLTSPW	1
18	11022-06280	*BOLTSPW	1
19	22011-13450	*SHIM	1
20	22024-13912	HOLDERA	1
21	72435-13920	HOLDERB	1
22	22024-13291	BOLTGUARD	1
23	22000-13512	BOLT	1
24	22000-13530	SLIDEPIN	1

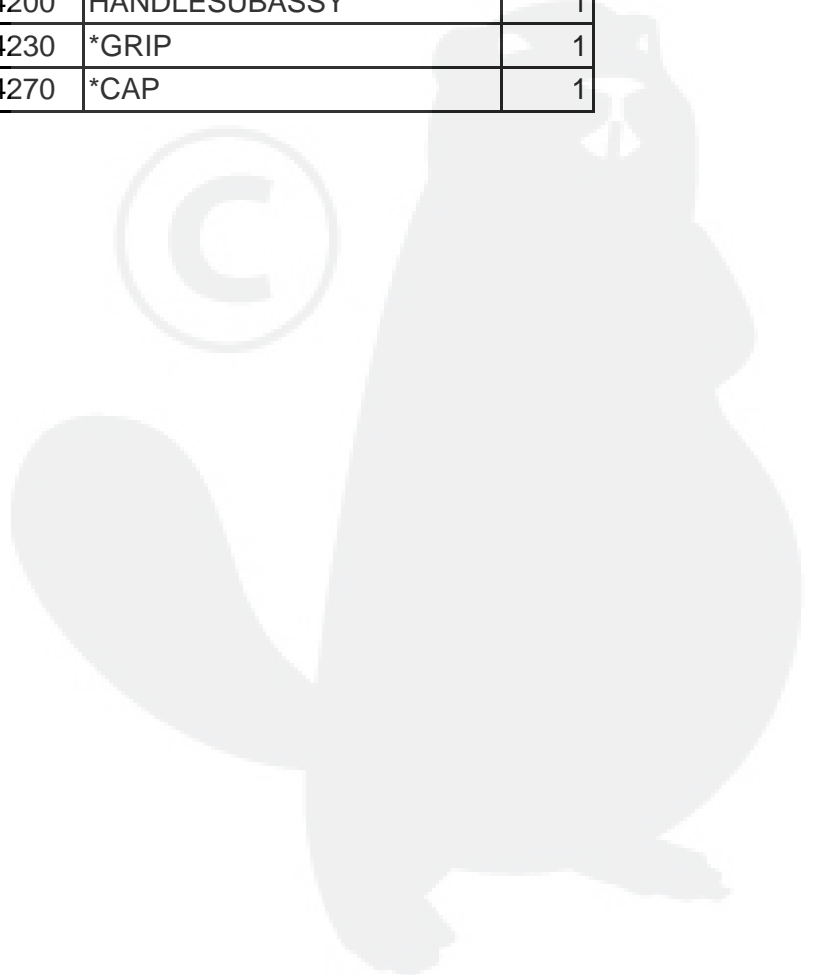
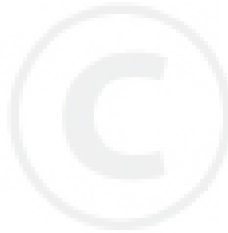


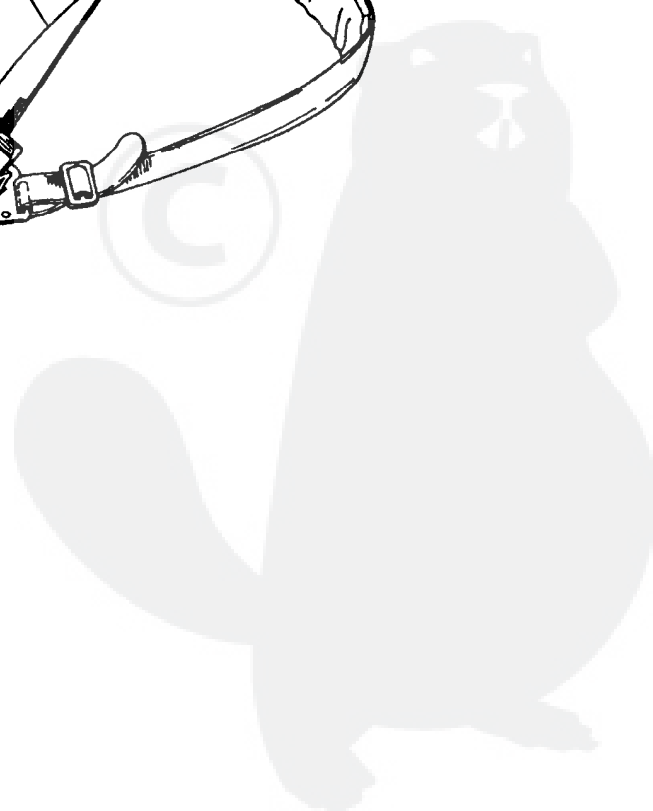
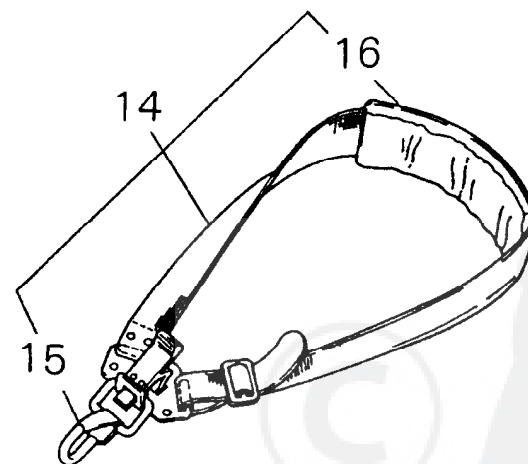
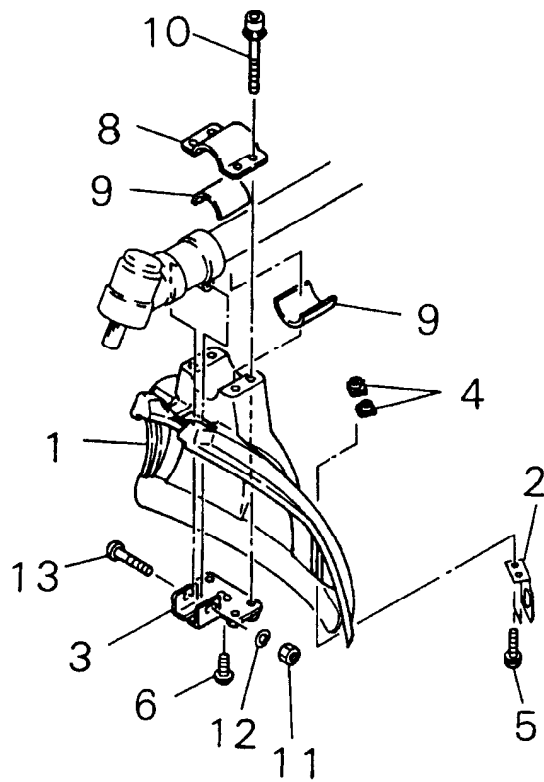
10-	72512-91000	TOOLSET	1
1	19610-02100	*TOOLBAG	1
2	22000-91181	*PLUGWRENCH	1
3	09026-03001	*HEXAWRENCH	1
4	09026-04001	*HEXAWRENCH	1
5	09026-05001	*HEXAWRENCH	1
6	22000-91120	*SPANNER	1
7	19601-00300	BLADECOVER	1





11-	72091-14100	BRACKETSUBASSY	1
1	72051-14110	*HANDLEBRACKET	1
2	72051-14120	*LOWERCAP	1
3	72051-14131	*UPPERCAP	1
4	11022-05250	*BOLTSPW	6
5	01610-05080	*WASHER	1
6	72430-14200	HANDLESUBASSY	1
7	22421-14230	*GRIP	1
8	72430-14270	*CAP	1





12- 1	72480-16113	GUARD	1
2	72480-16121	CUTTER	1
3	72441-16130	LOWERCLAMP	1
4	22420-16120	NUT	2
5	11020-05160	BOLTSPW	2
6	11202-40100	SCREWHILO4X10	1
8	72480-16210	UPPERCLAMP	1
9	72441-16220	SPACER	2
10	11022-05450	BOLTSPW	4
11	01500-06051	NUT	1
12	01613-06100	WASHER	1
13	11022-06400	BOLTSPW	1
14	22421-17202	STRAPASSY	1
15	22421-17130	*HOOK	1
16	22007-17220	*PROTECTOR	1