

EB810

Serial Number

38000001-38999999

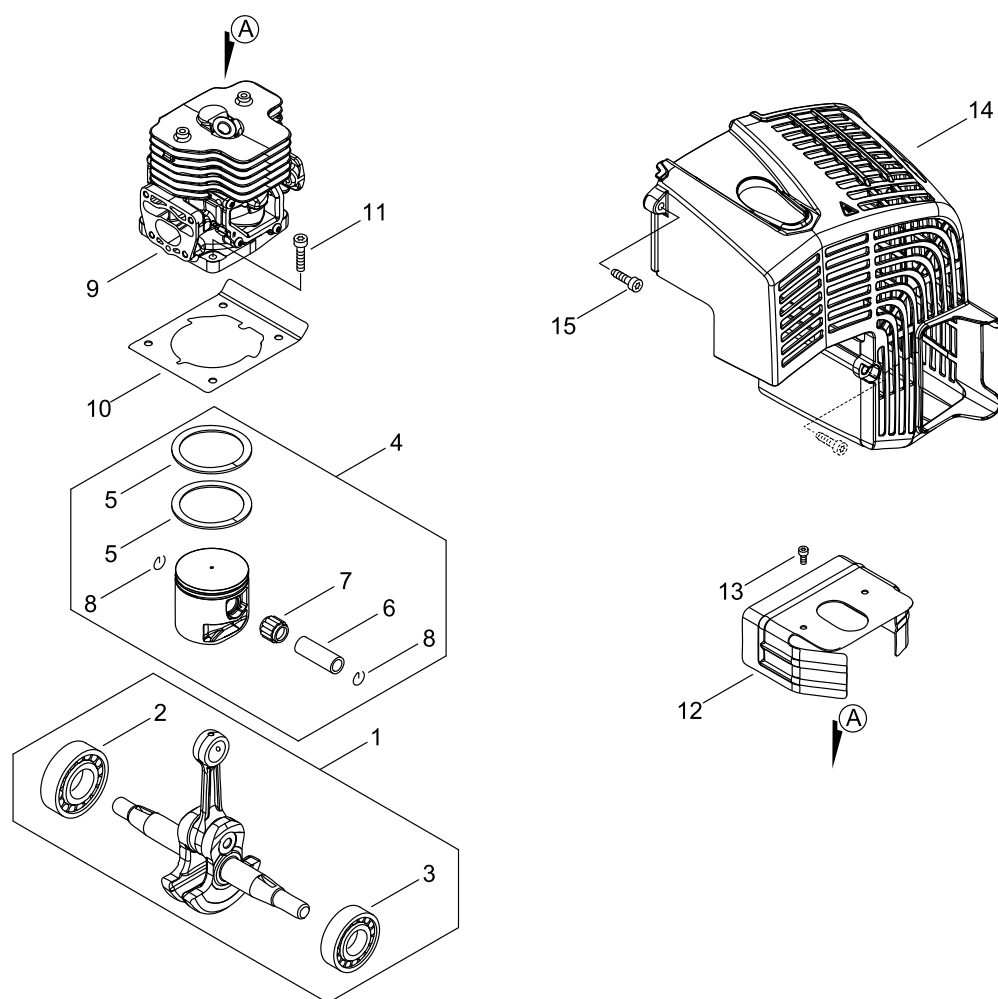
Last updated date

25/May/2022

TABLE OF CONTENTS

CYLINDER, PISTON, CRANKSHAFT	1
CRANKCASE	3
MAGNETO.....	5
AIR CLEANER, CARBURETOR.....	7
CARBURETOR.....	9
FUEL TANK	11
MUFFLER.....	13
RECOIL STARTER.....	15
FAN CASE	17
BACKPACK HARNESS	19
THROTTLE.....	21
PIPE	23
ACCESSORIES	25

CYLINDER, PISTON, CRANKSHAFT



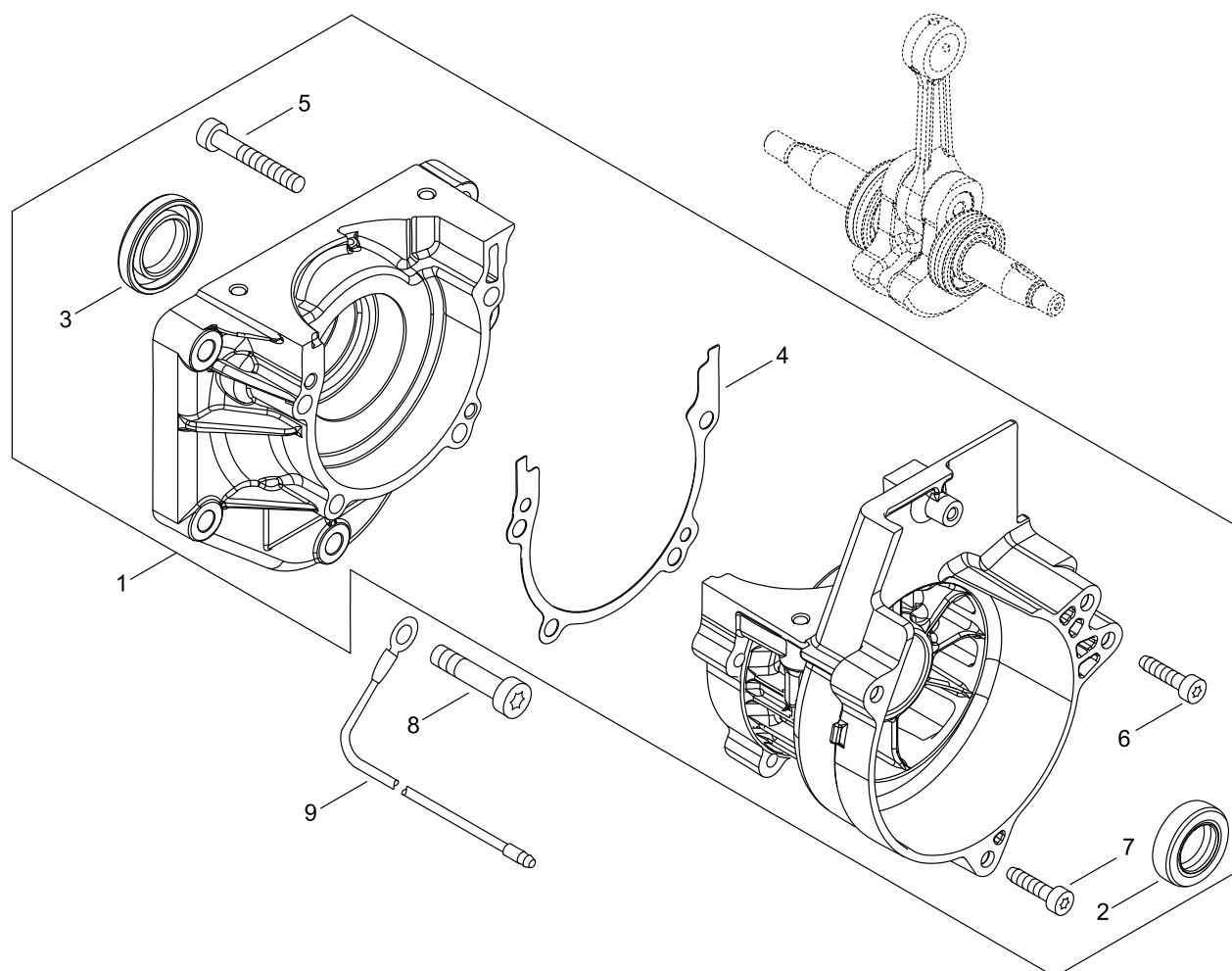
CYLINDER, PISTON, CRANKSHAFT

Key No.	LV (+)	Parts Number	Parts Description	Qty	Standard	Class
1		P200-001000	CRANKSHAFT ASY	1		
2	+	V592-000490	BEARING, BALL	1	EC1/6203/C3	C
3	+	V592-000510	BEARING, BALL	1		C
4		P100-008021	PISTON KIT	1		C
5	+	A101-000820	RING, PISTON	2	Φ53*1.2*2.1	B
6	+	V611-000020	PIN,ENG 13	1		D
7	+	V558-000020	BEARING,NEEDLE 13	1	13*16*16.8/15	C
8	+	100015-30830	CIRCLIP, PISTON PIN	2		C
9		P100-008280	CYLINDER ASY	1		
10		V100-000880	GASKET,CYL	1	T=0.8	B
11		V855-000010	BOLT, TORX 5	4	TB-5*25 12.9	C
12		A160-003600	COVER,CYLINDER	1		C
13		V804-000030	BOLT, TORX 4	2	TB-4*8 10.9	C
14		A190-001661	COVER,ENGINE	1		C
15		V805-000010	BOLT, TORX 5	3	TT-5*20 DG 10.9	C

Class : Consumable class

A:Fast moving parts B:Semi-fast moving parts C:Slow moving parts D:Order only as needed

CRANKCASE



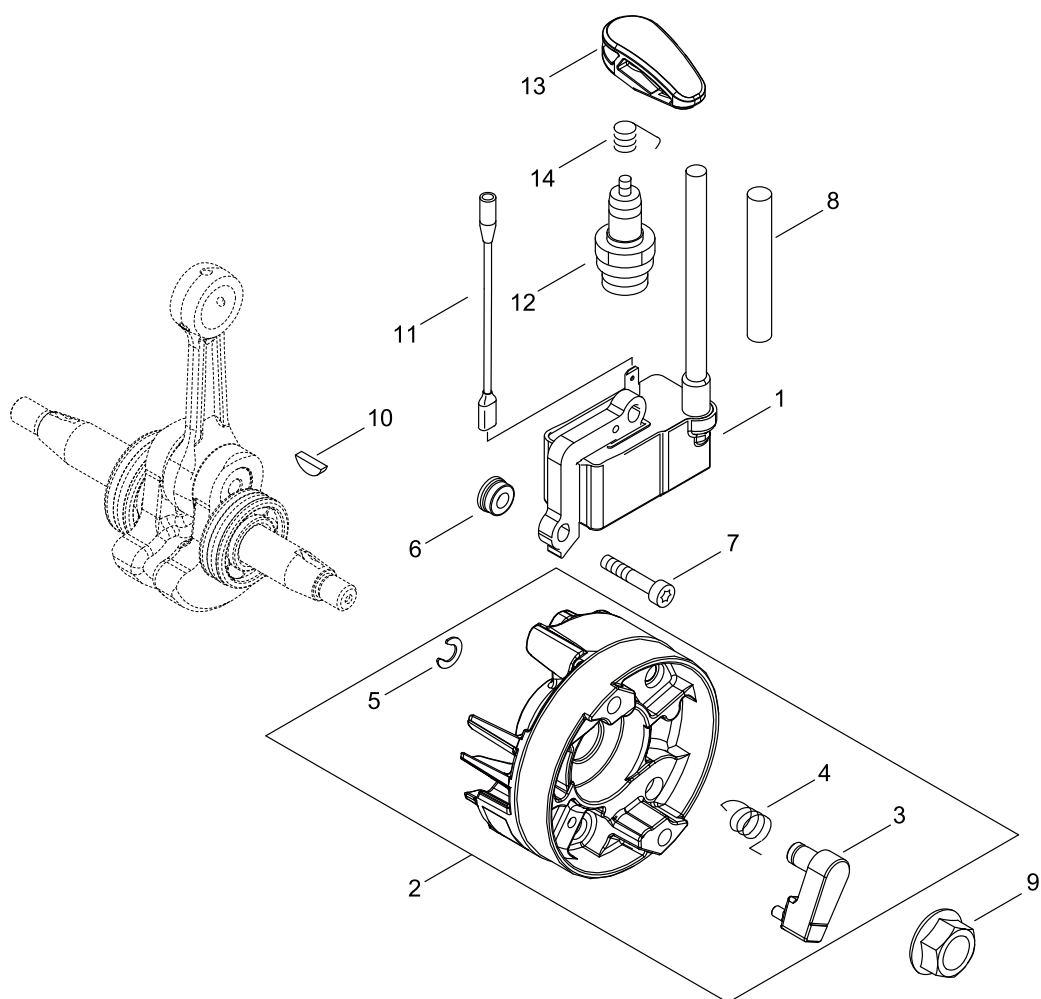
CRANKCASE

Key No.	LV (+)	Parts Number	Parts Description	Qty	Standard	Class
1		P100-006311	CRANKCASE SET	1		D
2	+	V508-000100	SEAL,OIL 15	1	ISCD 15*25*7	C
3	+	V510-000030	OIL SEAL	1		C
4	+	V102-000320	GASKET,CRANKCASE	1	T=0.3	B
5	+	V805-000290	BOLT, TORX 5	4	TB-5*35 12.9	C
6	+	V253-000990	SCREW,5	1	TB2403 12MM	C
7	+	V253-000990	SCREW,5	3	TB2403 12MM	C
8		V204-001830	BOLT,6	5	TB2458(MEC) 10MM	C
9		V485-003170	LEAD	1		C

Class : Consumable class

A:Fast moving parts B:Semi-fast moving parts C:Slow moving parts D:Order only as needed

MAGNETO



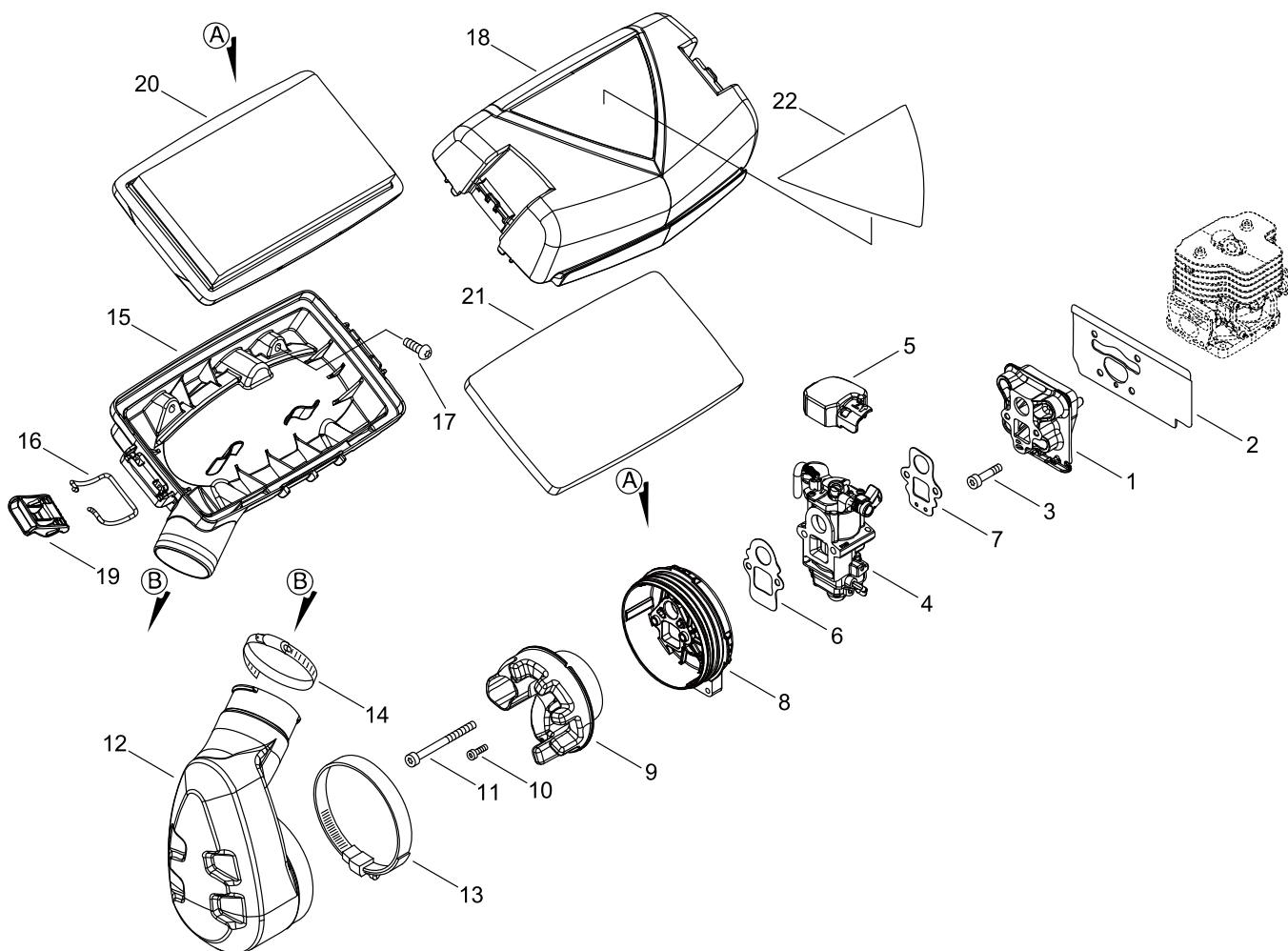
MAGNETO

Key No.	LV (+)	Parts Number	Parts Description	Qty	Standard	Class
1		A411-001870	COIL, IGNITION	1	ID#A10084[1]	C
2		A409-001370	ROTOR, MAGNETO	1		C
3	+	P022-054280	PAWL, STARTER	2		
4	+	P022-054270	SPRING, RETURN	2		
5	+	P022-054290	E-RING	2		
6		V352-000300	COLLAR,4	2	4.5*8.3*4.6L	C
7		V202-000750	BOLT,4	2	TB2458(MEC) 6MM	C
8		V475-007540	TUBE	1		C
9		900519-00010	NUT, FLANGE	1	10	
10		900323-03014	KEY, WOODRUFF	1	3*14	
11		V485-003180	LEAD	1		C
12		A425-000060	SPARKPLUG	1	CMR7H	A
13		A427-000230	CAP, SPARK PLUG	1		C
14		159011-03432	COIL, SPARK PLUG	1		C

Class : Consumable class

A:Fast moving parts B:Semi-fast moving parts C:Slow moving parts D:Order only as needed

AIR CLEANER, CARBURETOR



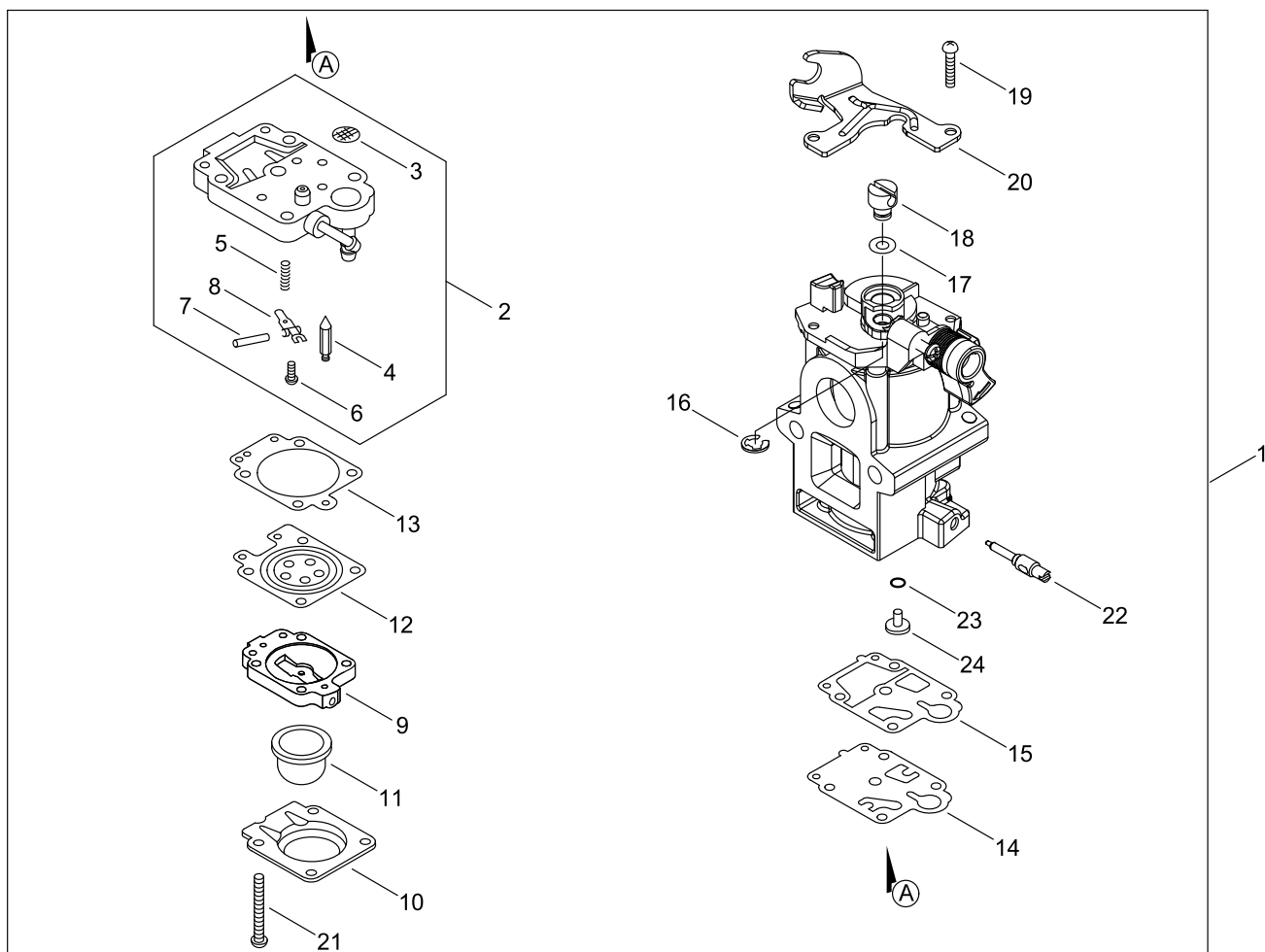
AIR CLEANER, CARBURETOR

Key No.	LV (+)	Parts Number	Parts Description	Qty	Standard	Class
1		A200-001210	INSULATOR, INTAKE	1		C
2		V103-002150	GASKET,INTAKE	1		A
3		V203-002430	BOLT,5	4	TB2468(MEC) 10MM	C
4		A021-004920	CARBURETOR,DIAPHRAGM	1	WYA EX6069	B
5		A246-000050	CAP,CARBURETOR	1		C
6		V103-002050	GASKET,INTAKE	1	PS8525,T=0.85	A
7		V103-002060	GASKET,INTAKE	1	PS8525,T=0.85	A
8		A221-000041	FIXTURE, CLEANER	1		C
9		A161-000400	DUCT, AIR	1		C
10		V804-000000	BOLT, TORX 4	1	TT-4*12 DG 10.9	C
11		V805-000100	BOLT, TORX 5	2	TB-5*65 10.9	C
12		A239-000120	PIPE, INTAKE	1		C
13		V495-000440	BAND	1	77.8MM /101.6MM	C
14		V495-000590	BAND	1	33MM /57MM	C
15		A225-000741	CASE,CLEANER	1		C
16		V582-000300	RING,SNAP	2	2.6	C
17		V805-000010	BOLT, TORX 5	4	TT-5*20 DG 10.9	C
18		A232-002000	LID,CLEANER	1		C
19		A235-000470	KNOB,CLEANER LID	2		C
20		A226-002070	ELEMENT, AIR FILTER	1	PB-79SX	A
21		A226-002250	ELEMENT, AIR FILTER	1	ID #2640	A
22		X503-015060	LABEL,MODEL	1	SD+EB810	D

Class : Consumable class

A:Fast moving parts B:Semi-fast moving parts C:Slow moving parts D:Order only as needed

CARBURETOR



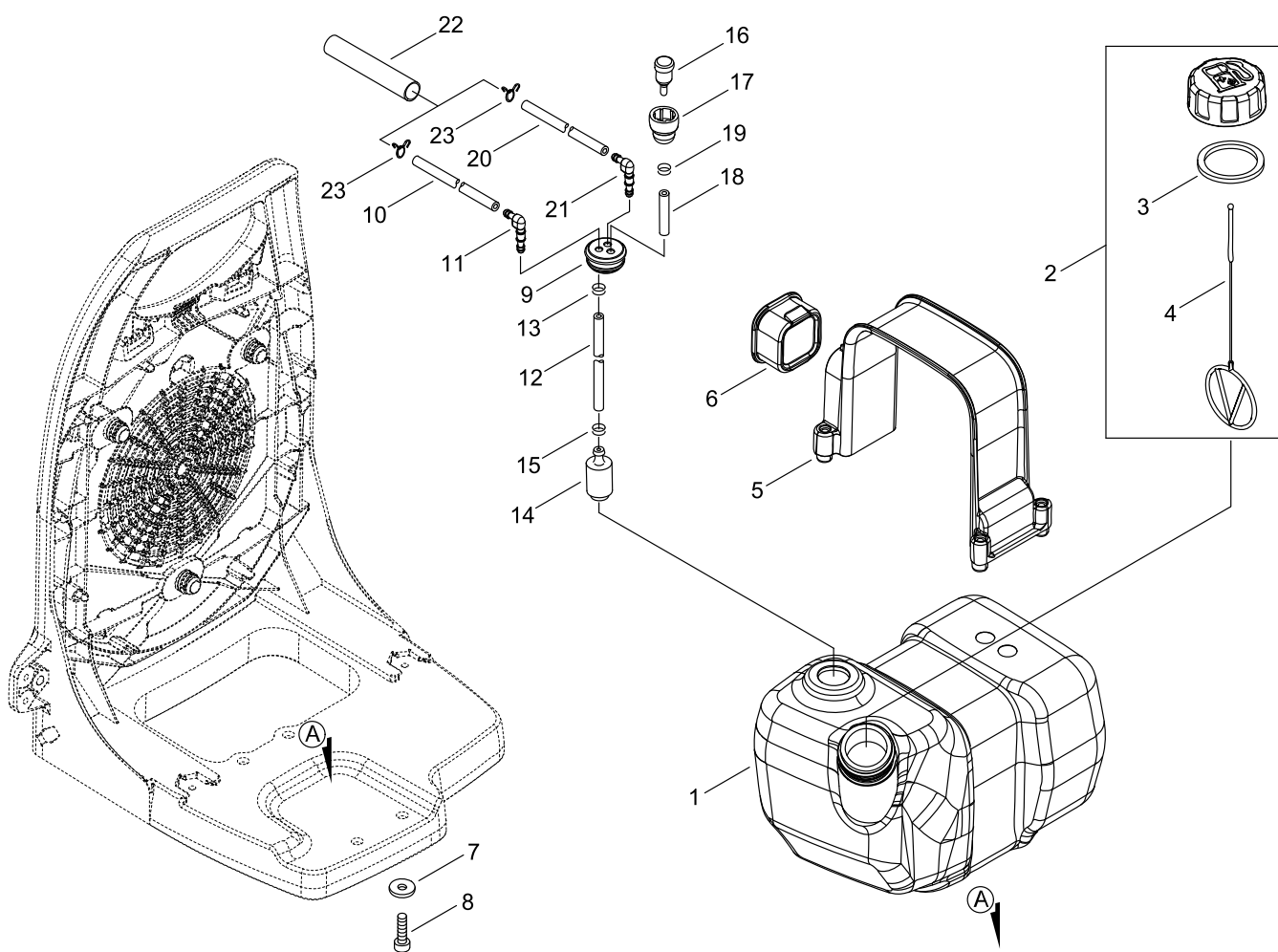
CARBURETOR

Key No.	LV (+)	Parts Number	Parts Description	Qty	Standard	Class
1		A021-004920	CARBURETOR,DIAPHRAGM	1	WYA EX6069	B
2	+	P003-006180	BODY ASSEMBLY, PUMP	1		
3	++	123126-10631	SCREEN, INLET	1		B
4	++	123137-19830	VALVE, INLET NEEDLE	1		D
5	++	123122-05560	SPRING, METER. LEVER	1		
6	++	P003-005510	SCREW	1		
7	++	123138-03930	PIN, METERING LEVER	1		D
8	++	123123-03930	LEVER, METERING	1		D
9	+	P003-003980	BODY, AIR PURGE	1		
10	+	123142-05560	COVER, PRIMER PUMP	1		
11	+	123181-40630	PUMP, PRIMER	1		
12	+	P003-001850	DIAPHRAGM, METERING	1		A
13	+	123140-05560	GASKET, M. DIAPHRAGM	1		
14	+	P003-005650	DIAPHRAGM, FUEL PUMP	1		
15	+	P003-004100	GASKET, PUMP	1		
16	+	123173-07930	CLIP	1		
17	+	123149-54230	WASHER	1		C
18	+	123172-45130	SWIVEL	1		C
19	+	123114-40630	SCREW	2		
20	+	P003-006190	BRACKET CABLE	1		
21	+	123110-05560	SCREW, PUMP COVER	4		
22	+	P003-005880	NEEDLE	1		D
23	+	123183-40630	O-RING	1		
24	+	P003-006200	JET	1		

Class : Consumable class

A:Fast moving parts B:Semi-fast moving parts C:Slow moving parts D:Order only as needed

FUEL TANK



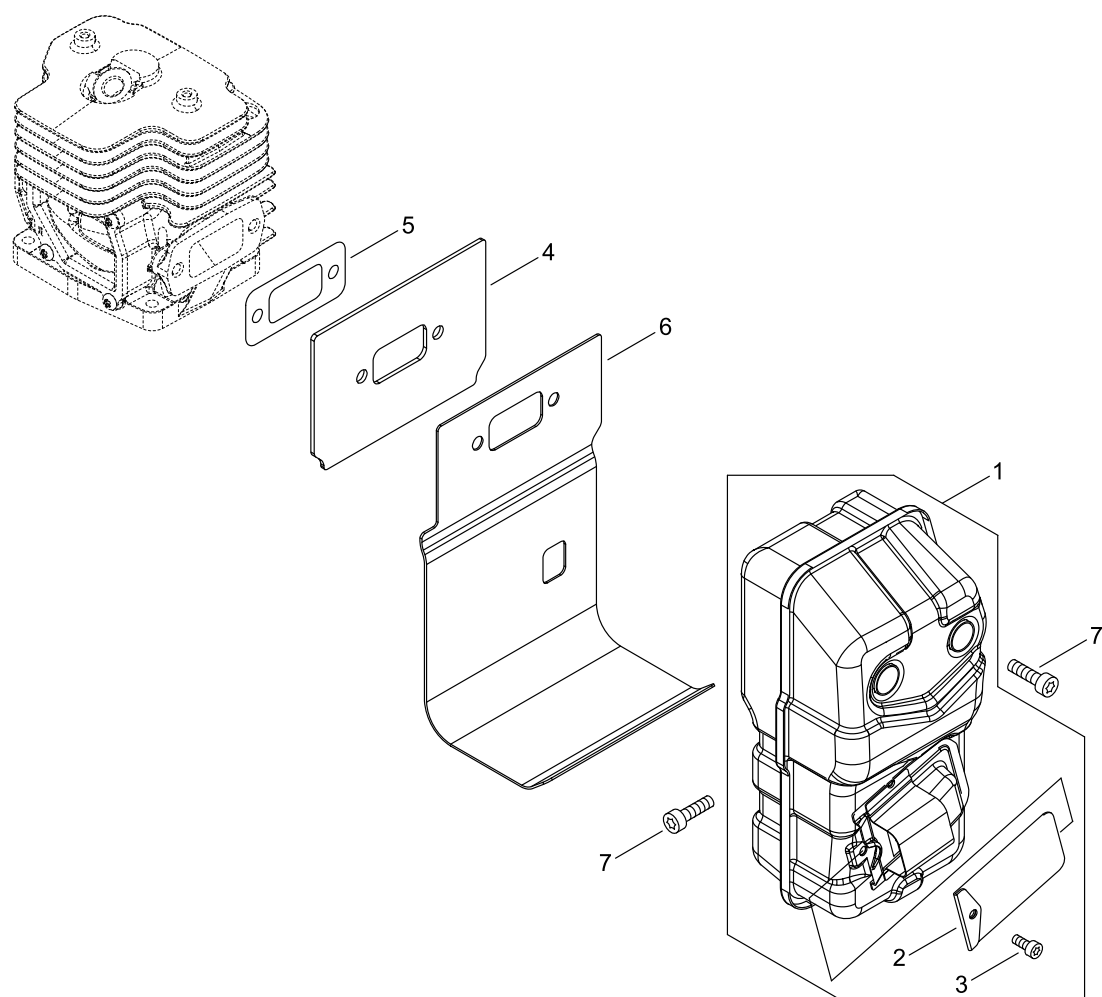
FUEL TANK

Key No.	LV (+)	Parts Number	Parts Description	Qty	Standard	Class
1		A350-002690	TANK, FUEL	1		C
2		P021-035681	FUEL CAP ASY	1	T242	
3	+	V107-000190	GASKET,FUEL CAP	1	37.9* T 2.2	A
4	+	A365-000060	CONNECTOR,CAP	1	L=123	B
5		A392-000460	BAND, FUEL TANK	1		C
6		V420-005400	CUSHION	1		B
7		131911-03460	WASHER	4		C
8		V253-000990	SCREW,5	4	TB2403 12MM	C
9		132115-55931	GROMMET, FUEL	1	3 φ5	C
10		V471-005411	PIPE	1	3.5*6*160	C
11		V186-000500	JOINT,PIPE	1		C
12		V471-001231	PIPE	1	3*5*210	C
13		V490-001240	CLIP	1		C
14		A369-000460	STRAINER, FUEL	1		A
15		V490-001240	CLIP	1		C
16		A356-000031	VALVE,CHECK	1		B
17		131328-40630	COVER, VENT	1		D
18		V471-005421	PIPE	1	3*6*30	C
19		V490-001230	CLIP	1		C
20		V471-005430	PIPE	1	3*6*170	C
21		V186-000500	JOINT,PIPE	1		C
22		V475-009460	TUBE	1	16*18*90	C
23		V490-000510	CLIP	2		C

Class : Consumable class

A:Fast moving parts B:Semi-fast moving parts C:Slow moving parts D:Order only as needed

MUFFLER



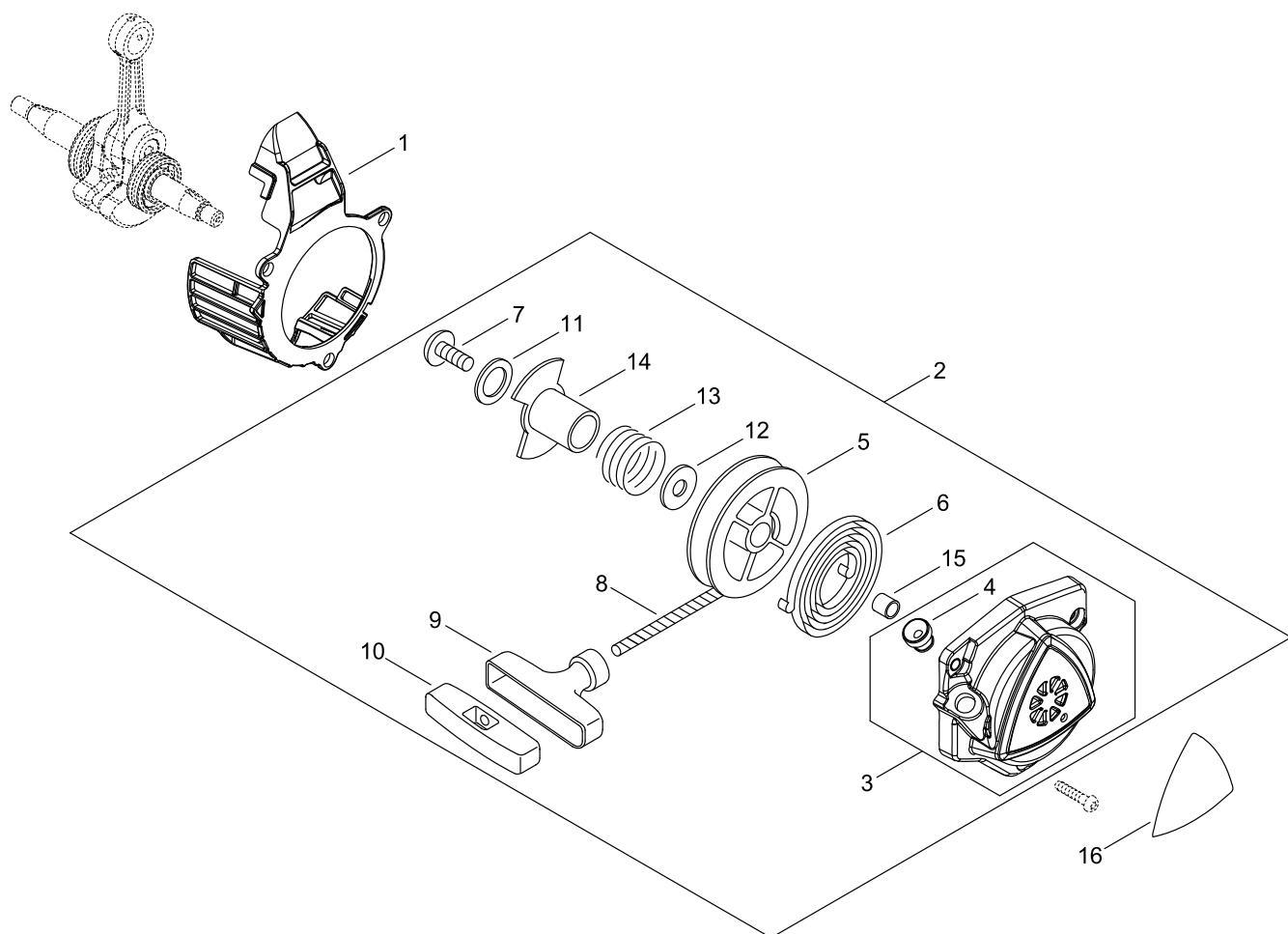
MUFFLER

Key No.	LV (+)	Parts Number	Parts Description	Qty	Standard	Class
1		P100-006321	MUFFLER ASY	1		
2	+	A310-000540	SCREEN, ARRESTOR	1		B
3	+	V804-000030	BOLT, TORX 4	1	TB-4*8 10.9	C
4		A312-000140	PLATE, EXHUST	1	T2.0	C
5		V104-002440	GASKET,EXHAUST	1	T0.5	A
6		V104-002430	GASKET,EXHAUST	1	T=1.0	A
7		V806-000010	BOLT, TORX 6	3	TB-6*20 10.9	C

Class : Consumable class

A:Fast moving parts B:Semi-fast moving parts C:Slow moving parts D:Order only as needed

RECOIL STARTER



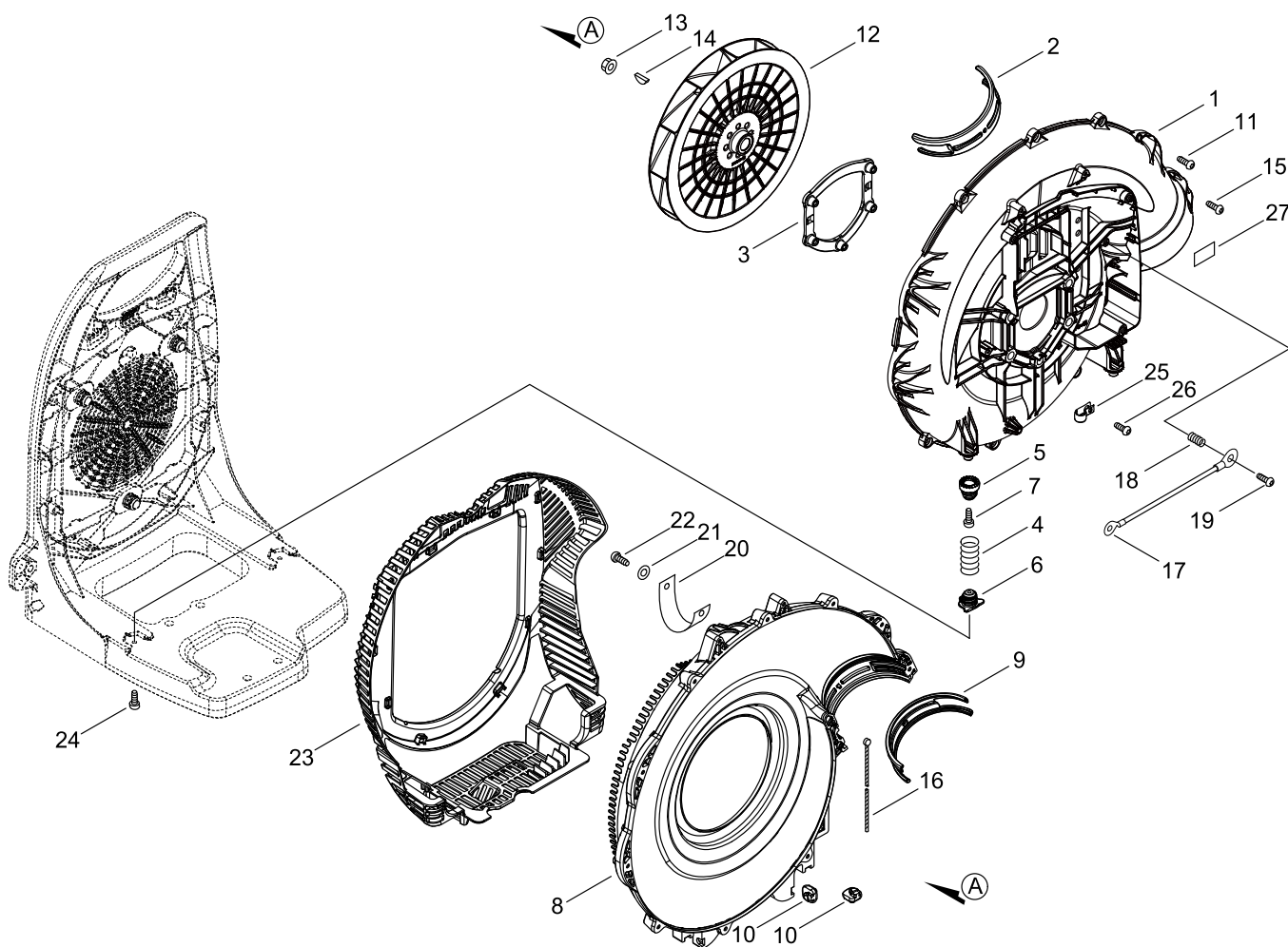
RECOIL STARTER

Key No.	LV (+)	Parts Number	Parts Description	Qty	Standard	Class
1		V376-002611	SPACER	1		C
2		A051-003411	STARTER,RECOIL ASY	1		B
3	+	P022-052810	CASE, STARTER	1		
4	++	P022-045770	GUIDE, ROPE	1		C
5	+	P022-052820	DRUM, STARTER	1		
6	+	P022-052830	SPRING, SPIRAL	1		
7	+	177236-61830	SCREW	1		C
8	+	P022-052840	ROPE, STARTER	1		
9	+	177228-11620	GRIP, STARTER	1		
10	+	P022-010260	CAP, GRIP	1		
11	+	P022-052850	WASHER, THRUST	1		
12	+	P022-057340	WASHER	1		
13	+	P022-052870	SPRING, FRICTION	1		
14	+	P022-052880	PLATE, FRICTION	1		
15	+	P022-052890	COLLAR	1		
16		X560-000080	LABEL,SHINDAIWA	1	SD+EB810	D

Class : Consumable class

A:Fast moving parts B:Semi-fast moving parts C:Slow moving parts D:Order only as needed

FAN CASE



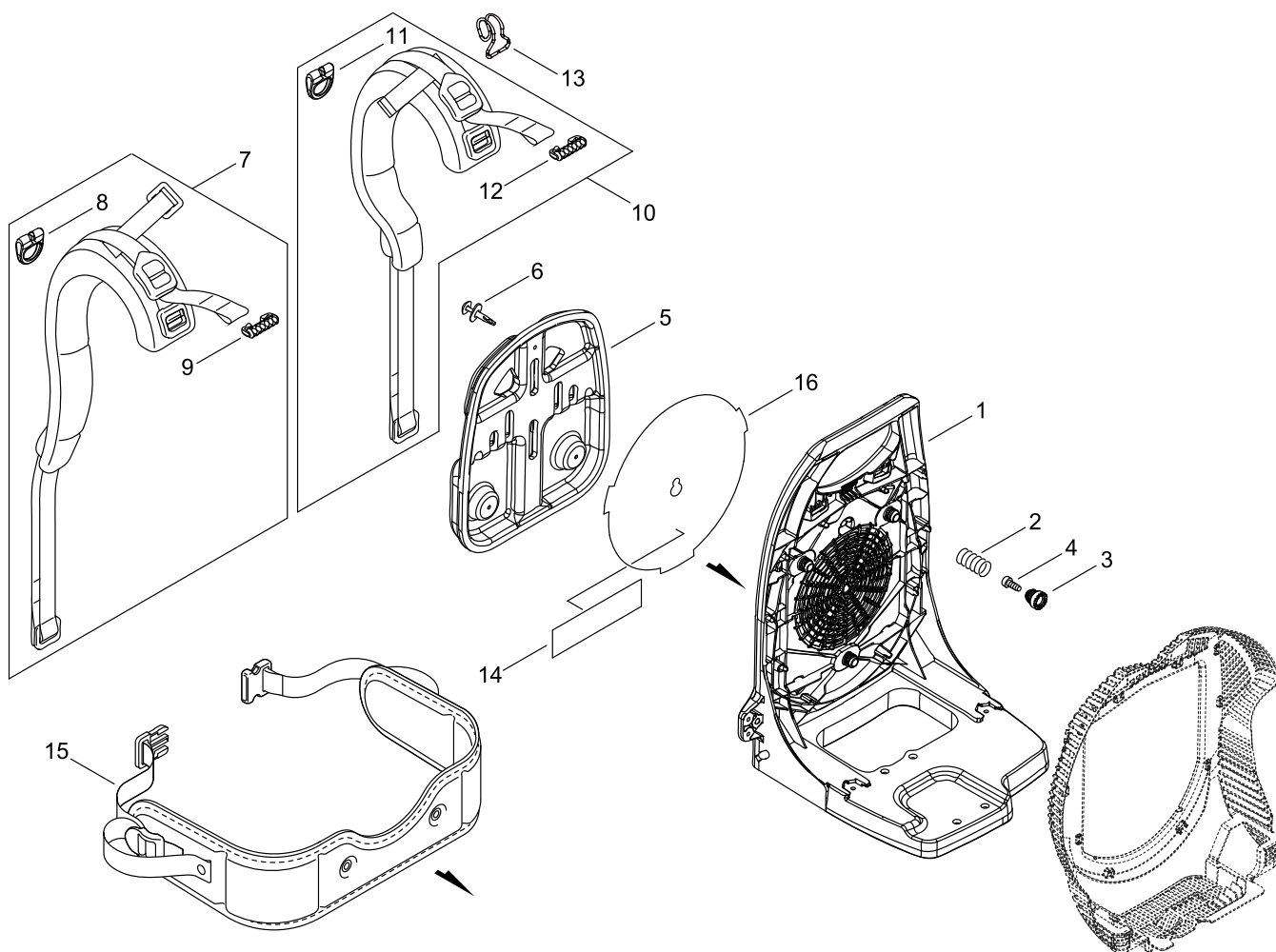
FAN CASE

Key No.	LV (+)	Parts Number	Parts Description	Qty	Standard	Class
1		E103-001582	CASE,FAN	1	E SIDE	C
2		V376-002620	SPACER	1		C
3		C632-000270	PLATE, ENG	1		C
4		V450-000780	SPRING,COMPRESSION	2	2.6-19.4-46.2	B
5		V456-000331	HOLDER,SPRING	2		C
6		V456-000380	HOLDER,SPRING	2		C
7		V805-000010	BOLT, TORX 5	2	TT-5*20 DG 10.9	C
8		E103-001621	CASE,FAN	1	G SIDE	C
9		V376-002620	SPACER	1		C
10		V420-005410	CUSHION	4		B
11		V805-000010	BOLT, TORX 5	9	TT-5*20 DG 10.9	C
12		E100-000330	FAN,BLOWER	1		C
13		900519-00010	NUT, FLANGE	1	10	
14		900323-03014	KEY, WOODRUFF	1	3*14	
15		V805-000010	BOLT, TORX 5	2	TT-5*20 DG 10.9	C
16		V485-003160	LEAD	1		C
17		V485-003600	LEAD	1		C
18		V450-002470	SPRING,COMPRESSION	1		B
19		V805-000240	BOLT, TORX 5	1	TT-5*12 DG 10.9	C
20		C651-000120	BELT, HARNESS	1	T1.2*20*170	B
21		131911-03460	WASHER	1		C
22		V805-000010	BOLT, TORX 5	1	TT-5*20 DG 10.9	C
23		E104-000290	GRID, BLOWER	1		C
24		V805-000010	BOLT, TORX 5	2	TT-5*20 DG 10.9	C
25		132112-22031	CLIP, FUEL PIPE	1		C
26		V805-000010	BOLT, TORX 5	1	TT-5*20 DG 10.9	C
27		X505-010760	LABEL,CAUTION	1	ISO SYMBOL PB	D

Class : Consumable class

A:Fast moving parts B:Semi-fast moving parts C:Slow moving parts D:Order only as needed

BACKPACK HARNESS



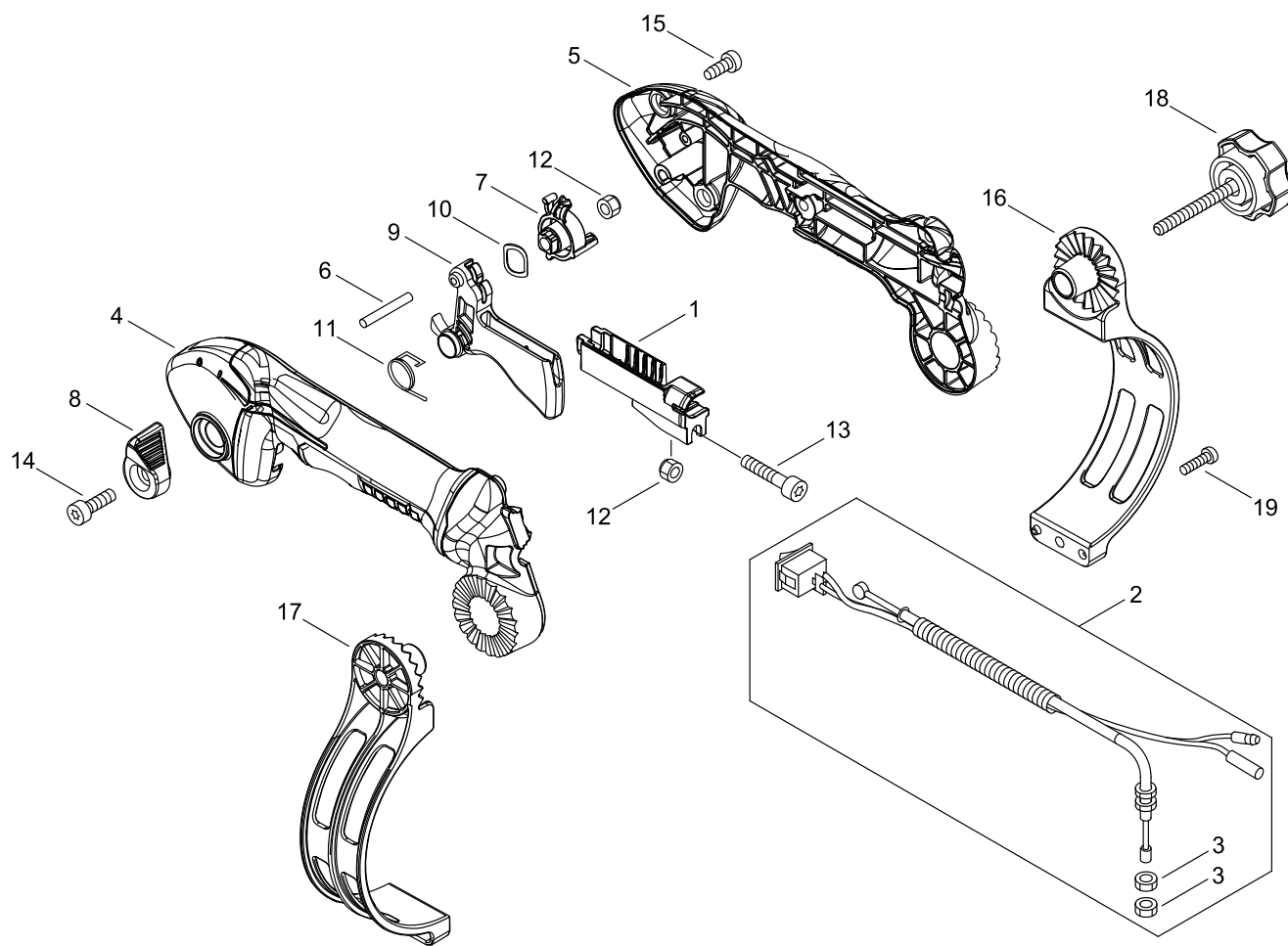
BACKPACK HARNESS

Key No.	LV (+)	Parts Number	Parts Description	Qty	Standard	Class
1		C620-000560	FRAME, BACKPACK	1		C
2		V450-000780	SPRING, COMPRESSION	3	2.6-19.4-46.2	B
3		V456-000331	HOLDER, SPRING	3		C
4		V805-000010	BOLT, TORX 5	3	TT-5*20 DG 10.9	C
5		C630-000280	SEAT, BACKPACK	1		C
6		V491-000600	CLIP	3	PUSH FASTENER	C
7		P100-010370	HARNESS KIT	1		B
8	+	C645-000080	BUCKLE, HARNESS	2		C
9	+	V491-000480	CLIP	1		C
10		P100-010380	HARNESS KIT	1		B
11	+	C645-000080	BUCKLE, HARNESS	2		C
12	+	V491-000480	CLIP	1		C
13		C649-000550	HOOK	1		C
14		X505-009090	LABEL, CAUTION	1		D
15		C644-000240	PAD, HARNESS	1	HIP BELT	
16		C635-000010	LID, SEAT	1		B

Class : Consumable class

A:Fast moving parts B:Semi-fast moving parts C:Slow moving parts D:Order only as needed

THROTTLE



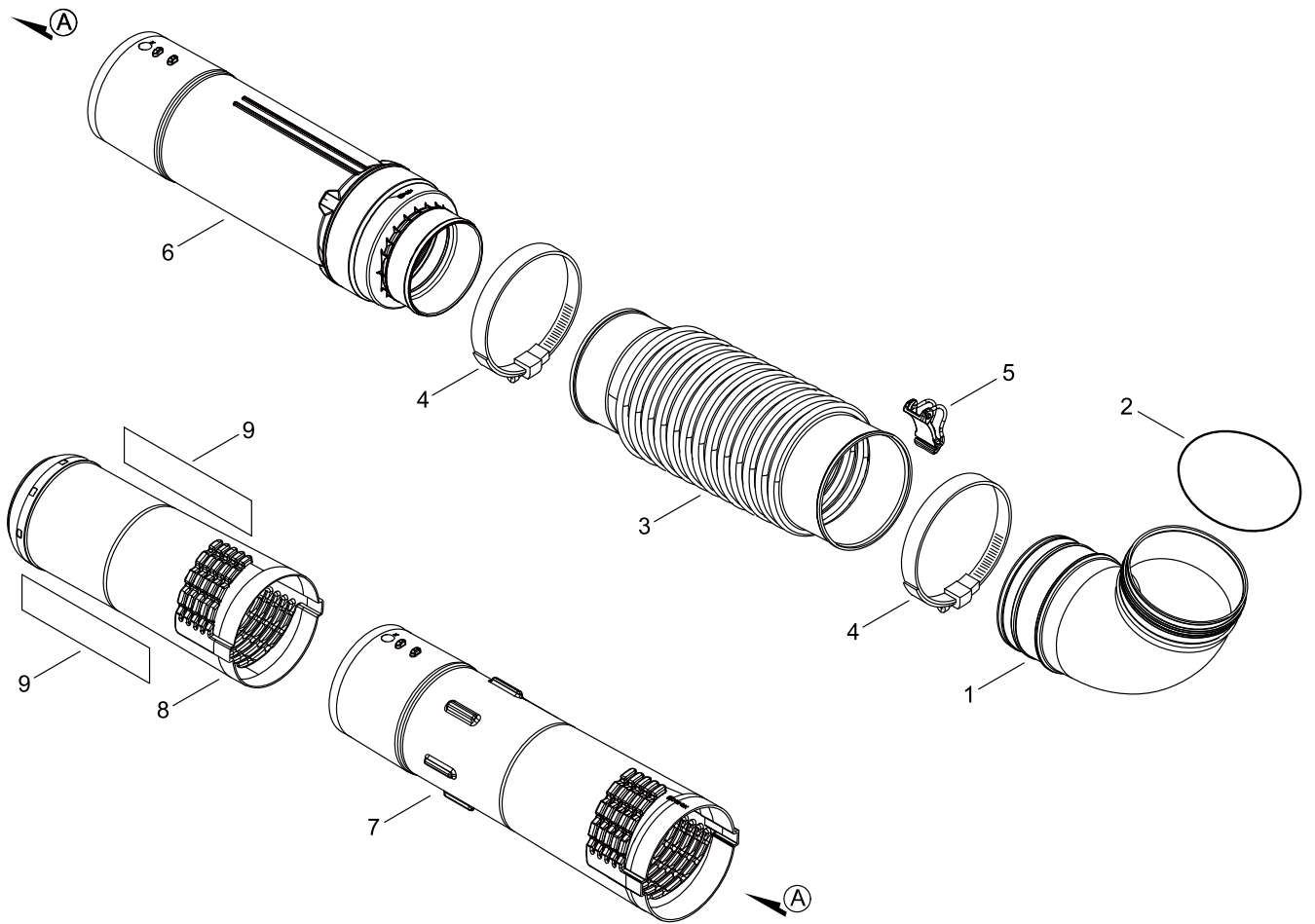
THROTTLE

Key No.	LV (+)	Parts Number	Parts Description	Qty	Standard	Class
1		C482-000101	CONNECTOR, CABLE	1		C
2		V043-001210	CABLE ASY, CONTROL	1		B
3	+	900502-00006	NUT	2	6	
4		C400-001532	HANDLE,FRONT	1	LEFT GRIP 2SHOT	C
5		C400-001541	HANDLE,FRONT	1	RIGHT GRIP 2SHOT	C
6		V621-000040	PIN,STRAIGHT 3	1	3*32	C
7		C453-000580	LEVER, THROTTLE	1		C
8		C453-000570	LEVER,THROTTLE	1		C
9		C450-001030	TRIGGER,THROTTLE	1		C
10		429752-01850	WASHER, WAVE 12	1		C
11		V452-001630	SPRING,TORSION	1	SPRING	B
12		900562-50005	NUT, LOCK	2	5	
13		V805-000050	BOLT, TORX 5	1	TB-5*30 10.9	C
14		V805-000160	BOLT, TORX 5	1	TB-5*20 10.9	C
15		V805-000000	BOLT, TORX 5	4	TT-5*16 DG 10.9	C
16		C405-000621	BRACKET,HANDLE	1		C
17		C405-000631	BRACKET,HANDLE	1		C
18		V299-000630	KNOB,FASTENER	1	BOLT/V299520010X	C
19		V805-000010	BOLT, TORX 5	1	TT-5*20 DG 10.9	C

Class : Consumable class

A:Fast moving parts B:Semi-fast moving parts C:Slow moving parts D:Order only as needed

PIPE



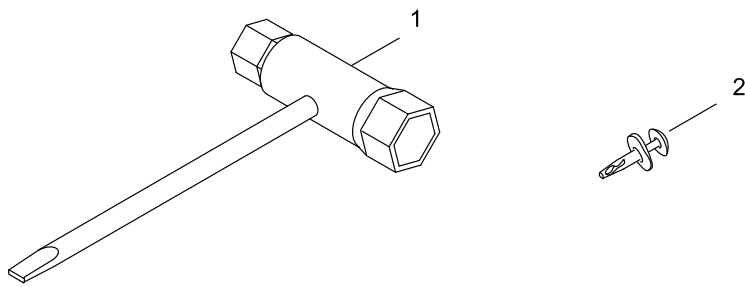
PIPE

Key No.	LV (+)	Parts Number	Parts Description	Qty	Standard	Class
1		E160-000200	PIPE,MAIN	1		B
2		92501-12000	O-RING	1	G120	
3		E164-000150	PIPE,FLEXIBLE	1		B
4		V495-003850	BAND	2	SET TO 110MM MIN	C
5		C487-000420	HOLDER, CABLE	1	CABLE HOLDER ASM	C
6		E165-001090	PIPE,BLOWER	1	VERSION 2 "T	B
7		E165-001070	PIPE,BLOWER	1	VERSION 2	B
8		E165-001000	PIPE,BLOWER	1		B
9		X560-000060	LABEL,SHINDAIWA	2	SHINDAIWA	D

Class : Consumable class

A:Fast moving parts B:Semi-fast moving parts C:Slow moving parts D:Order only as needed

ACCESSORIES



ACCESSORIES

Key No.	LV (+)	Parts Number	Parts Description	Qty	Standard	Class
1		X602-000160	PLUG WRENCH	1		D
2		V491-000600	CLIP	2	PUSH FASTENER	C

Class : Consumable class

A:Fast moving parts B:Semi-fast moving parts C:Slow moving parts D:Order only as needed

NUMERICAL PARTS INDEX

Part No	Part description	Page	Part No	Part description	Page	Part No	Part description	Page
100015-30830	CIRCLIP, PISTON PIN	2	A235-000470	KNOB,CLEANER LID	8	P003-005650	DIAPHRAGM, FUEL PUMP	10
123110-05560	SCREW, PUMP COVER	10	A239-000120	PIPE, INTAKE	8	P003-005880	NEEDLE	10
123114-40630	SCREW	10	A246-000050	CAP,CARBURETOR	8	P003-006180	BODY ASSEMBLY, PUMP	10
123122-05560	SPRING, METER. LEVER	10	A310-000540	SCREEN, ARRESTOR	14	P003-006190	BRACKET CABLE	10
123123-03930	LEVER, METERING	10	A312-000140	PLATE, EXHUST	14	P003-006200	JET	10
123126-10631	SCREEN, INLET	10	A350-002690	TANK, FUEL	12	P021-035681	FUEL CAP ASY	12
123137-19830	VALVE, INLET NEEDLE	10	A356-000031	VALVE,CHECK	12	P022-010260	CAP, GRIP	16
123138-03930	PIN, METERING LEVER	10	A365-000060	CONNECTOR,CAP	12	P022-045770	GUIDE, ROPE	16
123140-05560	GASKET, M. DIAPHRAGM	10	A369-000460	STRAINER, FUEL	12	P022-052810	CASE, STARTER	16
123142-05560	COVER, PRIMER PUMP	10	A392-000460	BAND, FUEL TANK	12	P022-052820	DRUM, STARTER	16
123149-54230	WASHER	10	A409-001370	ROTOR, MAGNETO	6	P022-052830	SPRING, SPIRAL	16
123172-45130	SWIVEL	10	A411-001870	COIL, IGNITION	6	P022-052840	ROPE, STARTER	16
123173-07930	CLIP	10	A425-000060	SPARKPLUG	6	P022-052850	WASHER, THRUST	16
123181-40630	PUMP, PRIMER	10	A427-000230	CAP,SPARK PLUG	6	P022-052870	SPRING, FRICTION	16
123183-40630	O-RING	10	C400-001532	HANDLE,FRONT	22	P022-052880	PLATE, FRICTION	16
131328-40630	COVER, VENT	12	C400-001541	HANDLE,FRONT	22	P022-052890	COLLAR	16
131911-03460	WASHER	12	C405-000621	BRACKET,HANDLE	22	P022-054270	SPRING, RETURN	6
131911-03460	WASHER	18	C405-000631	BRACKET,HANDLE	22	P022-054280	PAWL, STARTER	6
132112-22031	CLIP, FUEL PIPE	18	C450-001030	TRIGGER,THROTTLE	22	P022-054290	E-RING	6
132115-55931	GROMMET, FUEL	12	C453-000570	LEVER,THROTTLE	22	P022-057340	WASHER	16
159011-03432	COIL, SPARK PLUG	6	C453-000580	LEVER, THROTTLE	22	P100-006311	CRANKCASE SET	4
177228-11620	GRIP, STARTER	16	C482-000101	CONNECTOR, CABLE	22	P100-006321	MUFFLER ASY	14
177236-61830	SCREW	16	C487-000420	HOLDER, CABLE	24	P100-008021	PISTON KIT	2
429752-01850	WASHER, WAVE 12	22	C620-000560	FRAME, BACKPACK	20	P100-008280	CYLINDER ASY	2
900323-03014	KEY, WOODRUFF	6	C630-000280	SEAT, BACKPACK	20	P100-010370	HARNESS KIT	20
900323-03014	KEY, WOODRUFF	18	C632-000270	PLATE, ENG	18	P100-010380	HARNESS KIT	20
900502-00006	NUT	22	C635-000010	LID,SEAT	20	P200-001000	CRANKSHAFT ASY	2
900519-00010	NUT, FLANGE	6	C644-000240	PAD, HARNESS	20	V043-001210	CABLE ASY, CONTROL	22
900519-00010	NUT, FLANGE	18	C645-000080	BUCKLE, HARNESS	20	V100-000880	GASKET,CYL	2
900562-50005	NUT, LOCK	22	C649-000550	HOOK	20	V102-000320	GASKET,CRANKCASE	4
92501-12000	O-RING	24	C651-000120	BELT, HARNESS	18	V103-002050	GASKET,INTAKE	8
A021-004920	CARBURETOR, DIAPHRAGM	8	E100-000330	FAN,BLOWER	18	V103-002060	GASKET,INTAKE	8
A021-004920	CARBURETOR, DIAPHRAGM	10	E103-001582	CASE,FAN	18	V103-002150	GASKET,INTAKE	8
A051-003411	STARTER,RECOIL ASY	16	E103-001621	CASE,FAN	18	V104-002430	GASKET,EXHAUST	14
A101-000820	RING, PISTON	2	E104-000290	GRID, BLOWER	18	V104-002440	GASKET,EXHAUST	14
A160-003600	COVER,CYLINDER	2	E160-000200	PIPE,MAIN	24	V107-000190	GASKET,FUEL CAP	12
A161-000400	DUCT, AIR	8	E164-000150	PIPE,FLEXIBLE	24	V186-000500	JOINT,PIPE	12
A190-001661	COVER,ENGINE	2	E165-001000	PIPE,BLOWER	24	V202-000750	BOLT,4	6
A200-001210	INSULATOR, INTAKE	8	E165-001070	PIPE,BLOWER	24	V203-002430	BOLT,5	8
A221-000041	FIXTURE, CLEANER	8	E165-001090	PIPE,BLOWER	24	V204-001830	BOLT,6	4
A225-000741	CASE,CLEANER	8	P003-001850	DIAPHRAGM, METERING	10	V253-000990	SCREW,5	4
A226-002070	ELEMENT, AIR FILTER	8	P003-003980	BODY, AIR PURGE	10	V253-000990	SCREW,5	12
A226-002250	ELEMENT, AIR FILTER	8	P003-004100	GASKET, PUMP	10	V299-000630	KNOB,FASTENER	22
A232-002000	LID,CLEANER	8	P003-005510	SCREW	10	V352-000300	COLLAR,4	6

NUMERICAL PARTS INDEX

Part No	Part description	Page	Part No	Part description	Page
V376-002611	SPACER	16	V805-000010	BOLT, TORX 5	20
V376-002620	SPACER	18	V805-000010	BOLT, TORX 5	22
V420-005400	CUSHION	12	V805-000050	BOLT, TORX 5	22
V420-005410	CUSHION	18	V805-000100	BOLT, TORX 5	8
V450-000780	SPRING,COMPRESSION	18	V805-000160	BOLT, TORX 5	22
V450-000780	SPRING,COMPRESSION	20	V805-000240	BOLT, TORX 5	18
V450-002470	SPRING,COMPRESSION	18	V805-000290	BOLT, TORX 5	4
V452-001630	SPRING,TORSION	22	V806-000010	BOLT, TORX 6	14
V456-000331	HOLDER,SPRING	18	V855-000010	BOLT, TORX 5	2
V456-000331	HOLDER,SPRING	20	X503-015060	LABEL,MODEL	8
V456-000380	HOLDER,SPRING	18	X505-009090	LABEL,CAUTION	20
V471-001231	PIPE	12	X505-010760	LABEL,CAUTION	18
V471-005411	PIPE	12	X560-000060	LABEL,SHINDAIWA	24
V471-005421	PIPE	12	X560-000080	LABEL,SHINDAIWA	16
V471-005430	PIPE	12	X602-000160	PLUG WRENCH	26
V475-007540	TUBE	6			
V475-009460	TUBE	12			
V485-003160	LEAD	18			
V485-003170	LEAD	4			
V485-003180	LEAD	6			
V485-003600	LEAD	18			
V490-000510	CLIP	12			
V490-001230	CLIP	12			
V490-001240	CLIP	12			
V491-000480	CLIP	20			
V491-000600	CLIP	20			
V491-000600	CLIP	26			
V495-000440	BAND	8			
V495-000590	BAND	8			
V495-003850	BAND	24			
V508-000100	SEAL,OIL 15	4			
V510-000030	OIL SEAL	4			
V558-000020	BEARING,NEEDLE 13	2			
V582-000300	RING,SNAP	8			
V592-000490	BEARING, BALL	2			
V592-000510	BEARING, BALL	2			
V611-000020	PIN,ENG 13	2			
V621-000040	PIN,STRAIGHT 3	22			
V804-000000	BOLT, TORX 4	8			
V804-000030	BOLT, TORX 4	2			
V804-000030	BOLT, TORX 4	14			
V805-000000	BOLT, TORX 5	22			
V805-000010	BOLT, TORX 5	2			
V805-000010	BOLT, TORX 5	8			
V805-000010	BOLT, TORX 5	18			