

EB770

Serial Number

38000001-38999999

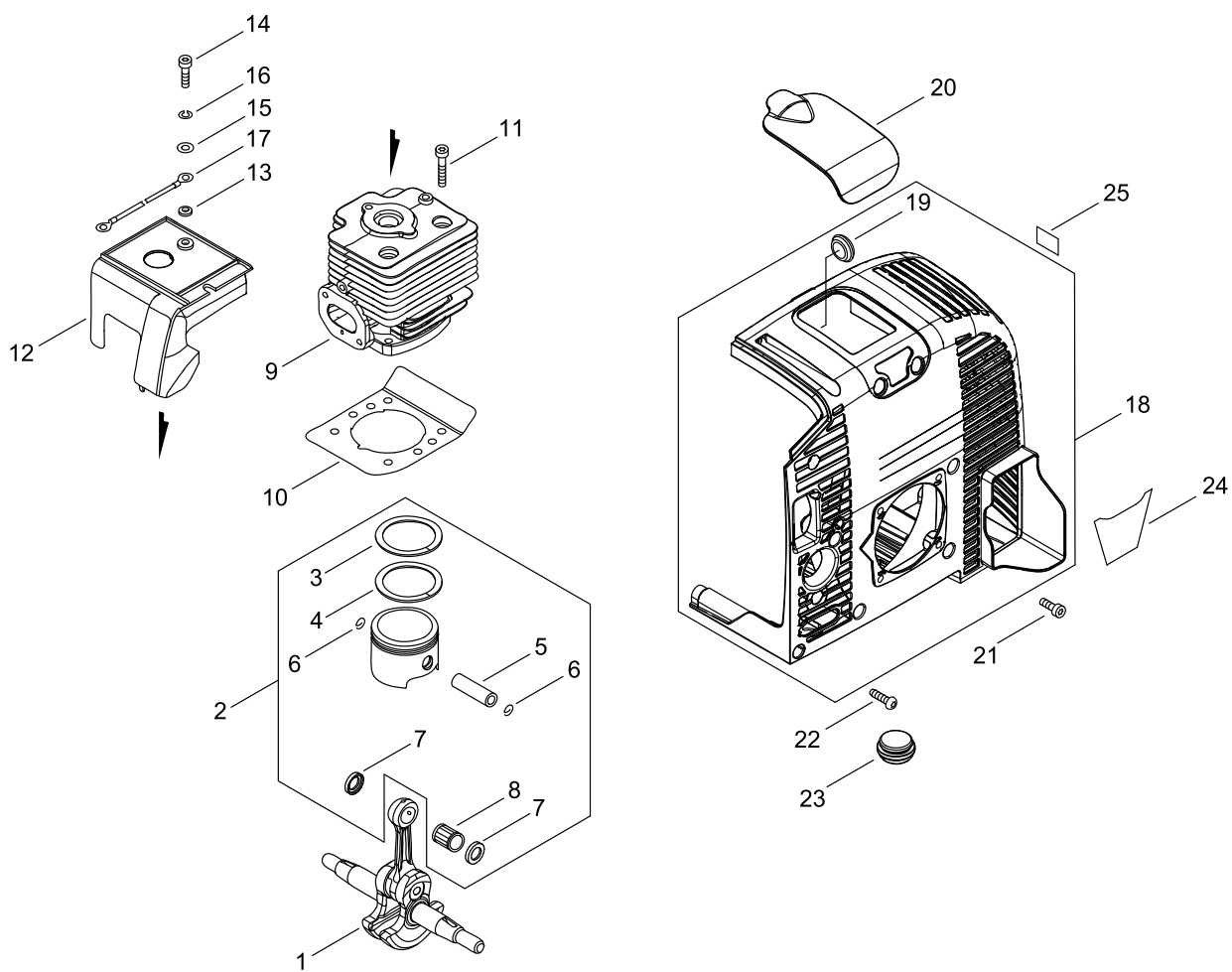
Last updated date

09/Jun/2022

TABLE OF CONTENTS

CYLINDER, PISTON, CRANKSHAFT	1
CRANKCASE	3
MAGNETO.....	5
AIR CLEANER, CARBURETOR.....	7
CARBURETOR.....	9
FUEL TANK	11
MUFFLER.....	13
RECOIL STARTER, PULLY	15
FAN CASE	17
BACKPACK HARNESS	19
THROTTLE.....	21
PIPE	23
ACCESSORIES	25

CYLINDER, PISTON, CRANKSHAFT



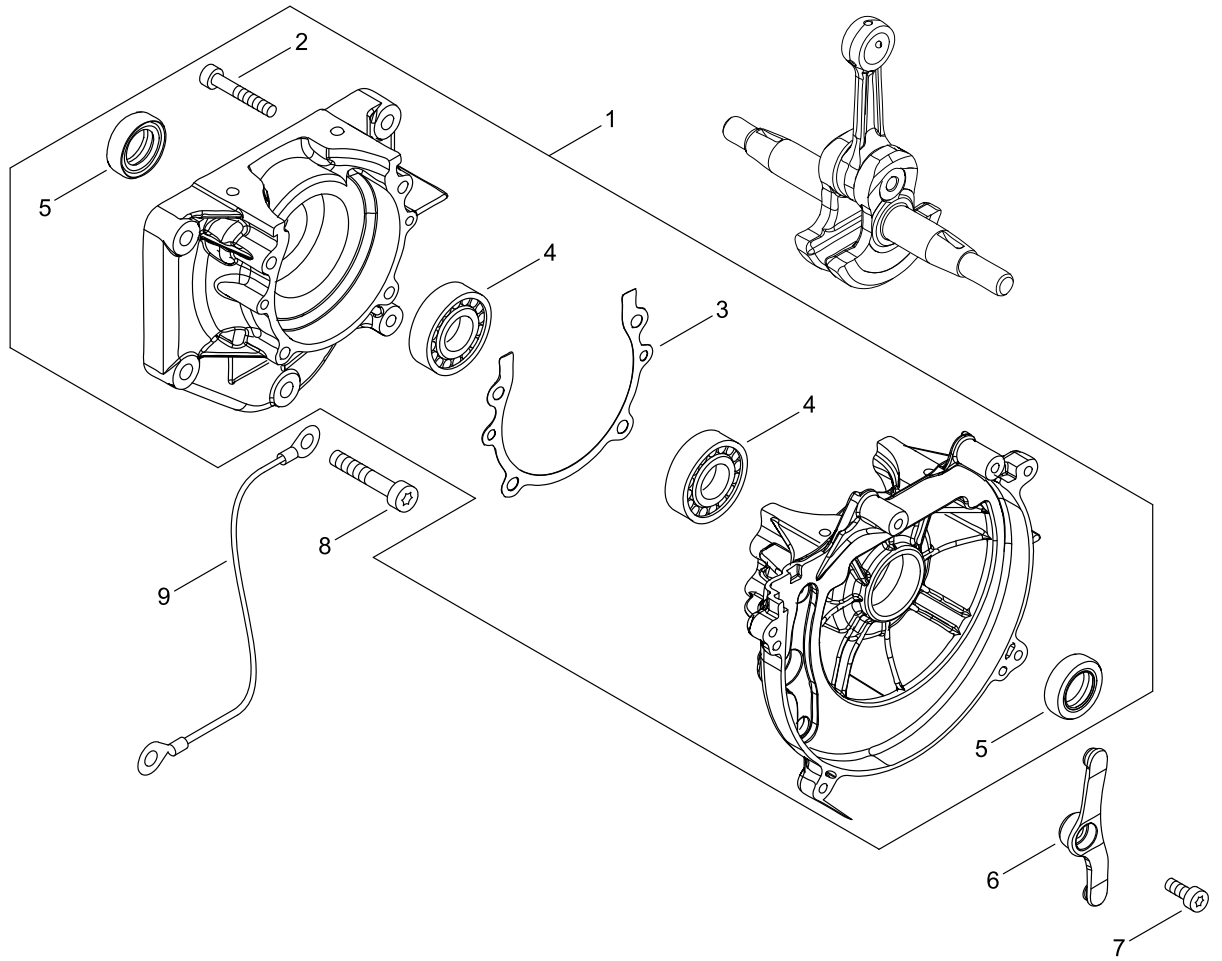
CYLINDER, PISTON, CRANKSHAFT

Key No.	LV (+)	Parts Number	Parts Description	Qty	Standard	Class
1		A011-000572	CRANKSHAFT,ASY	1		D
2		P021-002984	PISTON KIT	1		
3	+	A101-000030	RING,PISTON	1		B
4	+	A101-000020	RING,PISTON	1		B
5	+	V608-000010	PIN,ENG 10	1	6*10*40	D
6	+	100015-00120	CIRCLIP, PISTON PIN	2		C
7	+	V307-000550	WASHER,CIRCULAR 10	2	10*17*2.4	C
8	+	V555-000010	BEARING,NEEDLE 10	1		B
9		A130-001050	CYLINDER	1		D
10		V100-000290	GASKET,CYL	1		B
11		V805-000220	BOLT, TORX 5	4	TB-5*25 12.9	C
12		A160-001242	COVER,CYLINDER	1		C
13		V323-000060	WASHER,CIRCULAR 5	1		C
14		V253-000990	SCREW,5	1	TB2403 12MM	C
15		900600-00005	WASHER	1	5	
16		900605-00005	WASHER, SPRING	1	5	
17		V485-001190	LEAD	1	LA105*2 L295	C
18		P100-007000	ENGINE COVER ASY	1		
19		101578-38431	PLUG	1		B
20		A429-000060	COVER,CAP	1		C
21		V253-001010	SCREW,5	4	TB2403 10MM	C
22		V805-000010	BOLT, TORX 5	6	TT-5*20 DG 10.9	C
23		V420-000910	CUSHION	2		B
24		X504-008620	LABEL,BRAND	1	SD+EB770	D
25		X505-002310	LABEL,CAUTION	1	HOT CAUTION	D

Class : Consumable class

A:Fast moving parts B:Semi-fast moving parts C:Slow moving parts D:Order only as needed

CRANKCASE



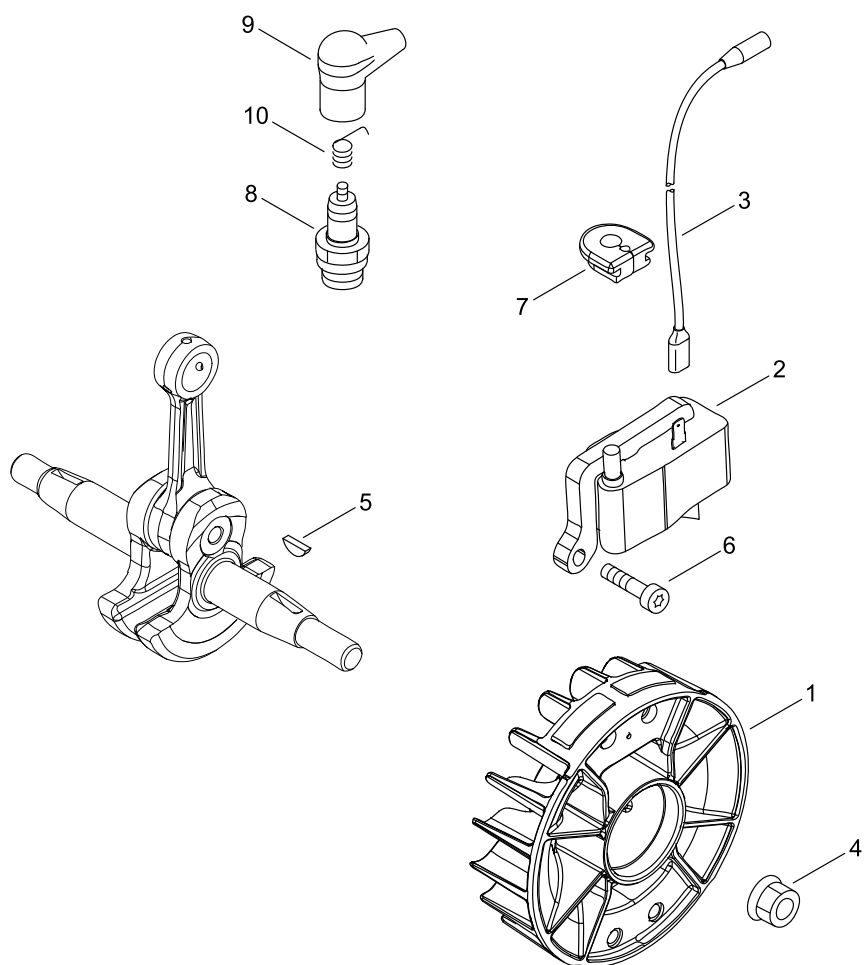
CRANKCASE

Key No.	LV (+)	Parts Number	Parts Description	Qty	Standard	Class
1		P021-017260	CRANKCASE KIT	1		
2	+	V805-000180	BOLT, TORX 5	4	TB-5*30 12.9	C
3	+	V102-000070	GASKET,CRANKCASE	1		B
4	+	94032-36302	BEARING, BALL	2	6302	
5	+	V508-000100	SEAL,OIL 15	2	ISCD 15*25*7	C
6		A127-000240	COVER,DUST	1		C
7		V253-001040	SCREW,5	1	TB2403 6MM	C
8		V254-000220	SCREW,6	5	TB2403 10MM RED	C
9		V485-001180	LEAD	1	LA106,LA105 195L	C

Class : Consumable class

A:Fast moving parts B:Semi-fast moving parts C:Slow moving parts D:Order only as needed

MAGNETO



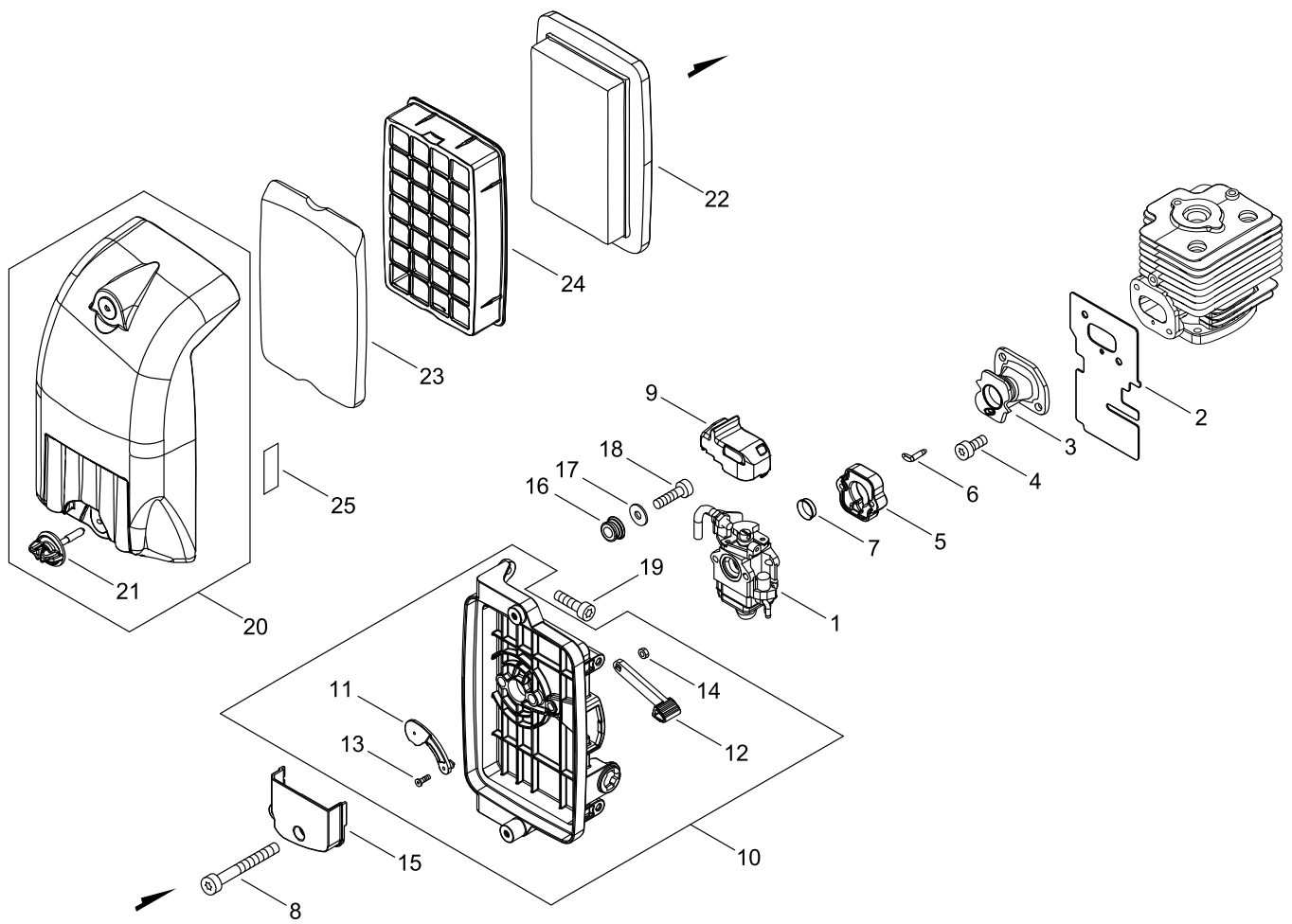
MAGNETO

Key No.	LV (+)	Parts Number	Parts Description	Qty	Standard	Class
1		A409-000390	ROTOR, MAGNETO	1		C
2		A411-001521	COIL, IGNITION	1	ID#C11454	C
3		V485-002900	LEAD	1	CB104,#187	C
4		900519-00010	NUT, FLANGE 10	1	10*1.25	
5		900323-03014	KEY WOODRUFF	1	3*14	
6		V805-000160	BOLT, TORX 5	2	TB-5*20 10.9	C
7		156112-40630	GROMMET	1		C
8		A425-000000	SPARKPLUG	1	BPMR8Y	A
9		159012-03433	CAP, SPARK PLUG	1		C
10		159011-03432	COIL, SPARK PLUG	1		C

Class : Consumable class

A:Fast moving parts B:Semi-fast moving parts C:Slow moving parts D:Order only as needed

AIR CLEANER, CARBURETOR



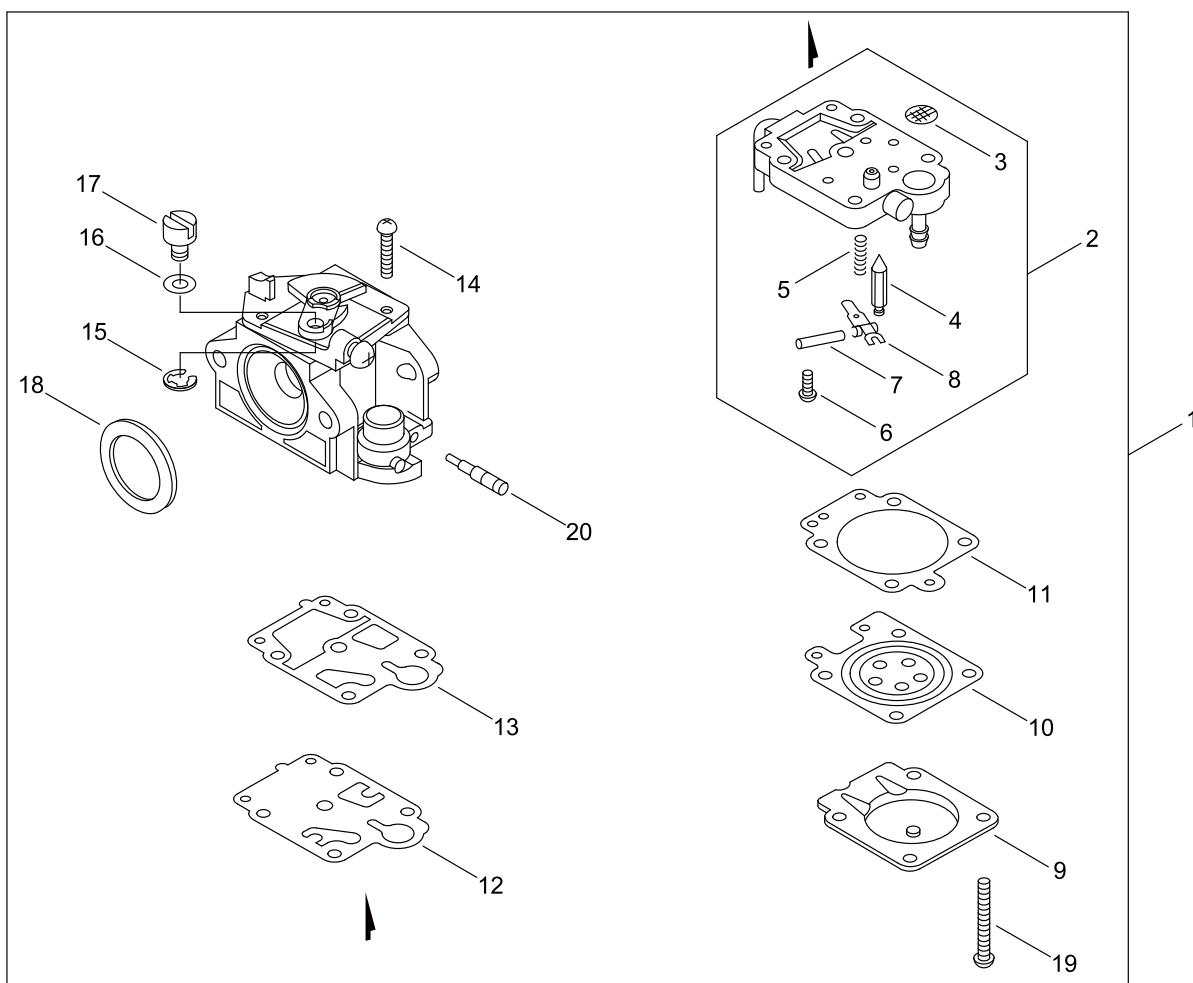
AIR CLEANER, CARBURETOR

Key No.	LV (+)	Parts Number	Parts Description	Qty	Standard	Class
1		A021-003942	CARBURETOR,DIAPHRAGM	1	WYK-406. NNB	B
2		V103-000530	GASKET,INTAKE	1	NP7010,T:1.2	A
3		A202-000090	BELLOWS, INTAKE	1		C
4		V253-001000	SCREW,5	2	TB2430 7MM	C
5		A201-000010	ADAPTER, INTAKE	1		C
6		V351-000020	COLLAR,3	1		C
7		A205-000000	RING, SEAL	1		C
8		V805-000190	BOLT, TORX 5	2	TB-5*55 12.9	C
9		A246-000040	CAP,CARBURETOR	1		C
10		P021-051930	CASE,CLEANER	1		
11	+	A243-000370	SHUTTER,CHOKE	1		C
12	+	A242-000260	LEVER,CHOKE	1		C
13	+	V201-000010	BOLT,3	1	M3*16 10.9	C
14	+	92110-03000	NUT, LOCK	1	3	
15		A244-000090	PLATE, PREVENT	1		C
16		C480-000130	GUIDE,CABLE	1	PB-770	C
17		131911-03460	WASHER	1		C
18		V805-000000	BOLT, TORX 5	1	TT-5*16 DG 10.9	C
19		V805-000010	BOLT, TORX 5	2	TT-5*20 DG 10.9	C
20		P100-007220	CLEANER COVER ASY	1		
21	+	A235-000000	KNOB,CLEANER LID	2		C
22		A226-000410	ELEMENT, AIR FILTER	1		A
23		A226-000480	ELEMENT, AIR FILTER	1		A
24		A227-000030	PLATE,ELEMENT	1		C
25		890332-52730	LABEL, CHOKE	1		D

Class : Consumable class

A:Fast moving parts B:Semi-fast moving parts C:Slow moving parts D:Order only as needed

CARBURETOR



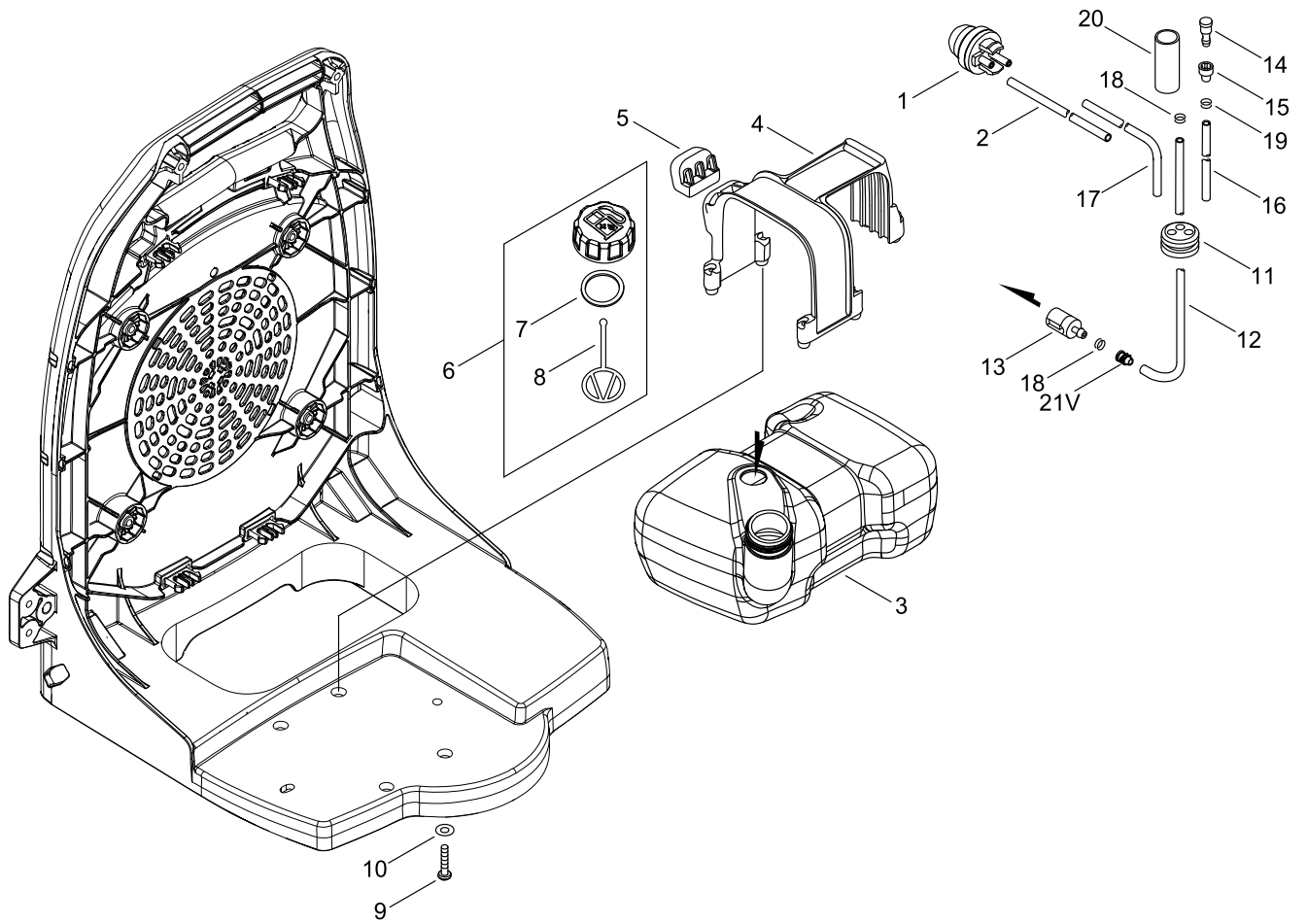
CARBURETOR

Key No.	LV (+)	Parts Number	Parts Description	Qty	Standard	Class
1		A021-003942	CARBURETOR,DIAPHRAGM	1	WYK-406. NNB	B
2	+	P003-005500	BODY ASSEMBLY, PUMP	1		
3	++	123126-10631	SCREEN, INLET	1		B
4	++	123137-19830	VALVE, INLET NEEDLE	1		D
5	++	123122-05560	SPRING, METER. LEVER	1		D
6	++	P003-005510	SCREW	1		D
7	++	123138-03930	PIN, METERING LEVER	1		D
8	++	123123-03930	LEVER, METERING	1		D
9	+	123142-03930	COVER, M. DIAPHRAGM	1		D
10	+	P003-001850	DIAPHRAGM, METERING	1		A
11	+	123140-27230	GASKET,M. DIAPHRAGM	1		A
12	+	P003-005650	DIAPHRAGM, FUEL PUMP	1		A
13	+	P003-004100	GASKET, PUMP	1		A
14	+	P003-002400	SCREW	2		
15	+	123173-07930	CLIP	1		C
16	+	123149-54230	WASHER	1		C
17	+	123172-45130	SWIVEL	1		C
18	+	123143-12110	RING, PACKING	1		
19	+	123144-44330	SCREW	4		
20	+	P003-005880	NEEDLE	1		D

Class : Consumable class

A:Fast moving parts B:Semi-fast moving parts C:Slow moving parts D:Order only as needed

FUEL TANK



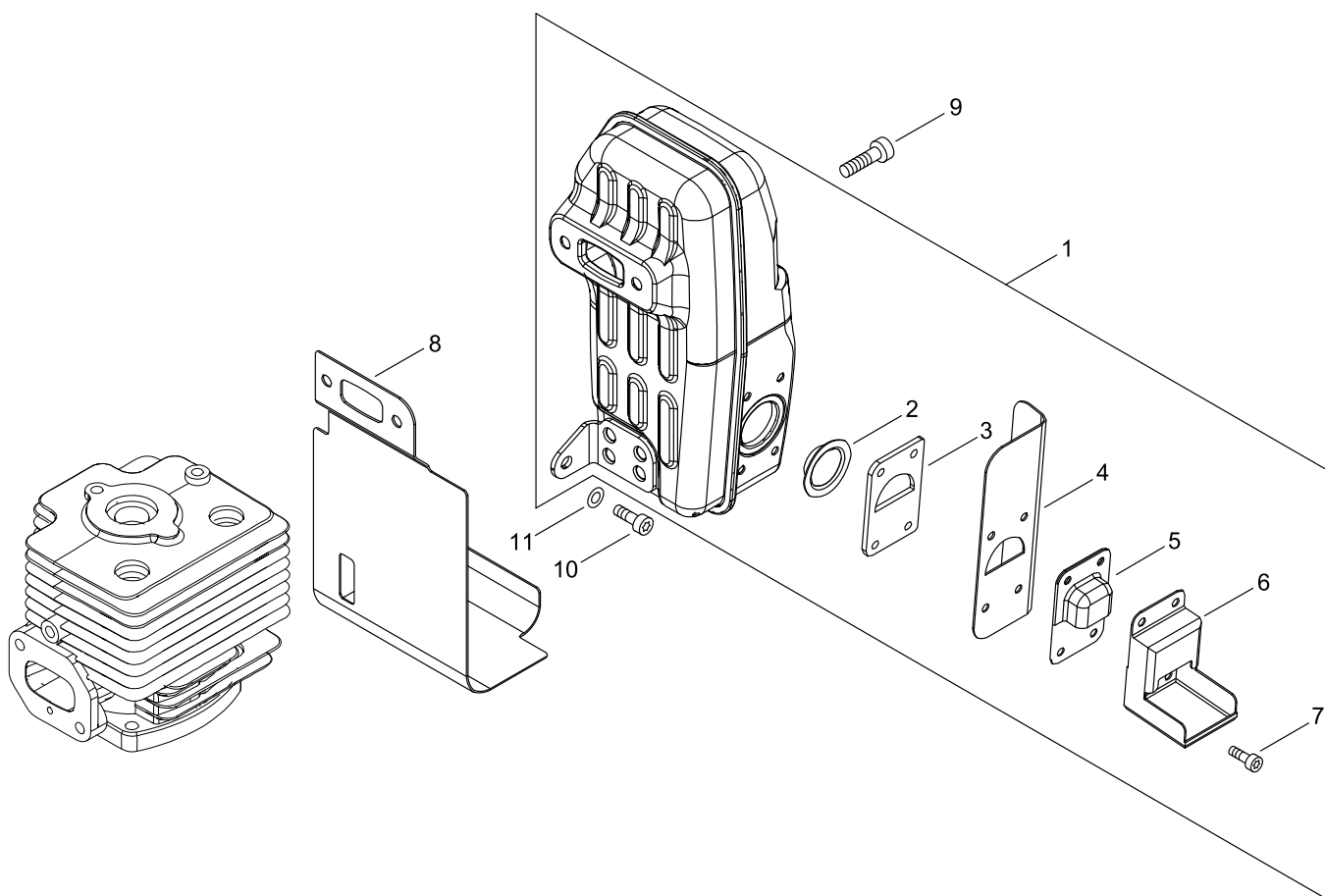
FUEL TANK

Key No.	LV (+)	Parts Number	Parts Description	Qty	Standard	Class
1		123181-39130	PUMP, PRIMER	1		A
2		V471-001241	PIPE	1	2.4*5*140	C
3		A350-000980	TANK, FUEL	1		C
4		A392-000281	BAND, FUEL TANK	1	PB-760LN	C
5		V420-004620	CUSHION	1		B
6		P021-014061	CAP,FUER ASSY	1		
7	+	V107-000190	GASKET,FUEL CAP	1	37.9* T 2.2	A
8	+	131051-56030	CLIP, FUEL CAP	1	100L	B
9		V253-001030	SCREW,5	6	TB2411 10MM	C
10		613019-07350	WASHER 5.5*16*2T	6	5.5*16*2T	C
11		132115-55931	GROMMET, FUEL	1	3 φ5	C
12		V470-000861	PIPE	1	Φ5L字L240	C
13		A369-000460	STRAINER, FUEL	1		A
14		A356-000031	VALVE,CHECK	1		B
15		131328-40630	COVER, VENT	1		D
16		V471-001471	PIPE	1	2.4*5*約200	C
17		V471-002311	PIPE	1	3*6*130	C
18		V490-001240	CLIP	2		C
19		V490-001230	CLIP	1		C
20		V475-004401	TUBE	1	16X18 L40	C
21V		A413-000190	BOOT	1		C

Class : Consumable class

A:Fast moving parts B:Semi-fast moving parts C:Slow moving parts D:Order only as needed

MUFFLER



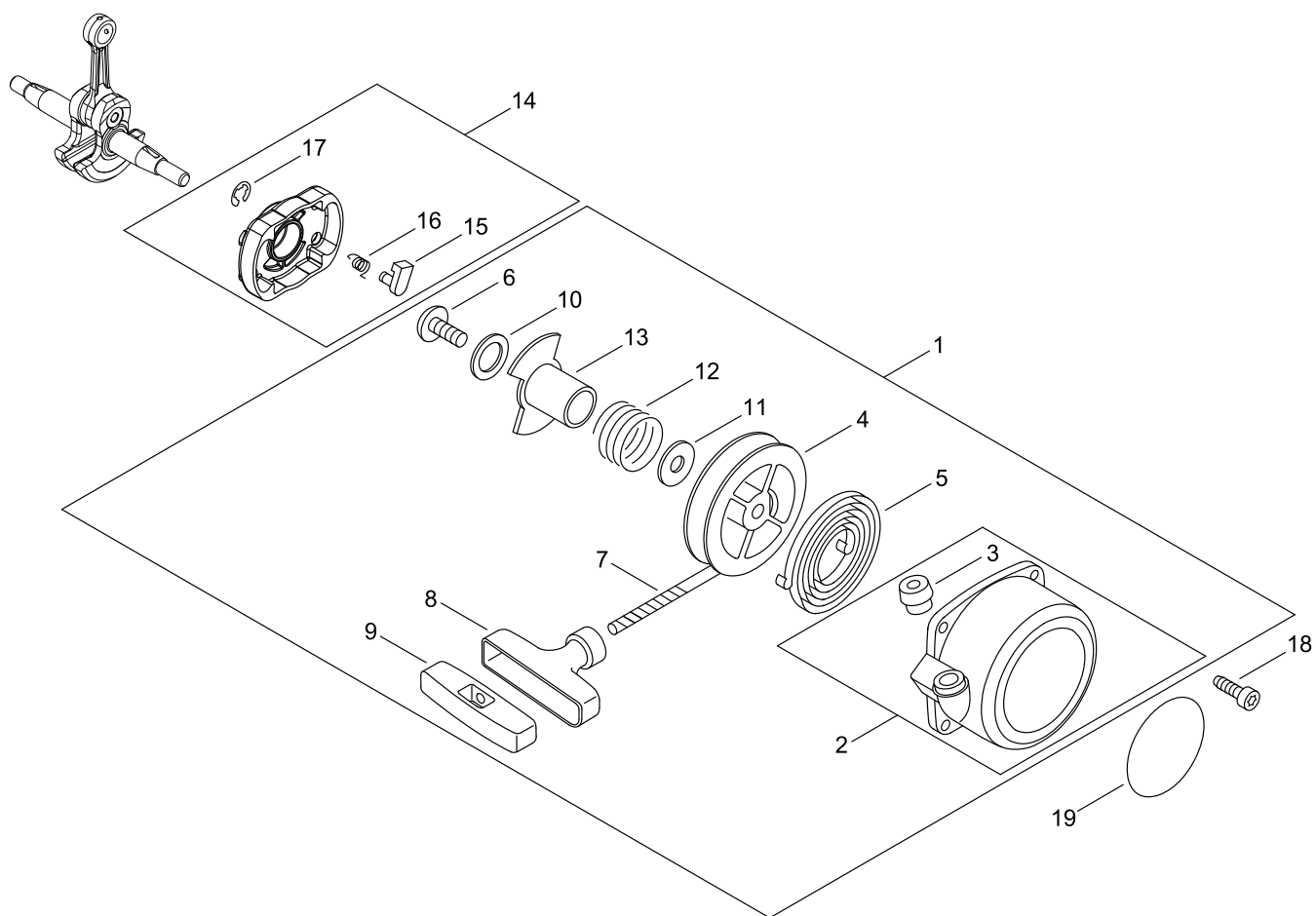
MUFFLER

Key No.	LV (+)	Parts Number	Parts Description	Qty	Standard	Class
1		P021-017273	MUFFLER ASY	1		
2	+	A310-000000	SCREEN,ARRESTOR	1		B
3	+	V104-000551	GASKET,EXHAUST	1	T2.6	A
4	+	V104-000560	GASKET,EXHAUST	1		A
5	+	A313-000520	GUIDE,EXH	1		C
6	+	A313-001080	GUIDE, EXHAUST	1		C
7	+	V804-000050	BOLT, TORX 4	4	TB-4*12 10.9	C
8		V104-000950	GASKET,EXHAUST	1		A
9		V806-000050	BOLT, TORX 6	2	TB-6*20 12.9	C
10		V805-000250	BOLT, TORX 5	1	TB-5*16 12.9	C
11		613019-07350	WASHER 5.5*16*2T	1	5.5*16*2T	C

Class : Consumable class

A:Fast moving parts B:Semi-fast moving parts C:Slow moving parts D:Order only as needed

RECOIL STARTER, PULLY



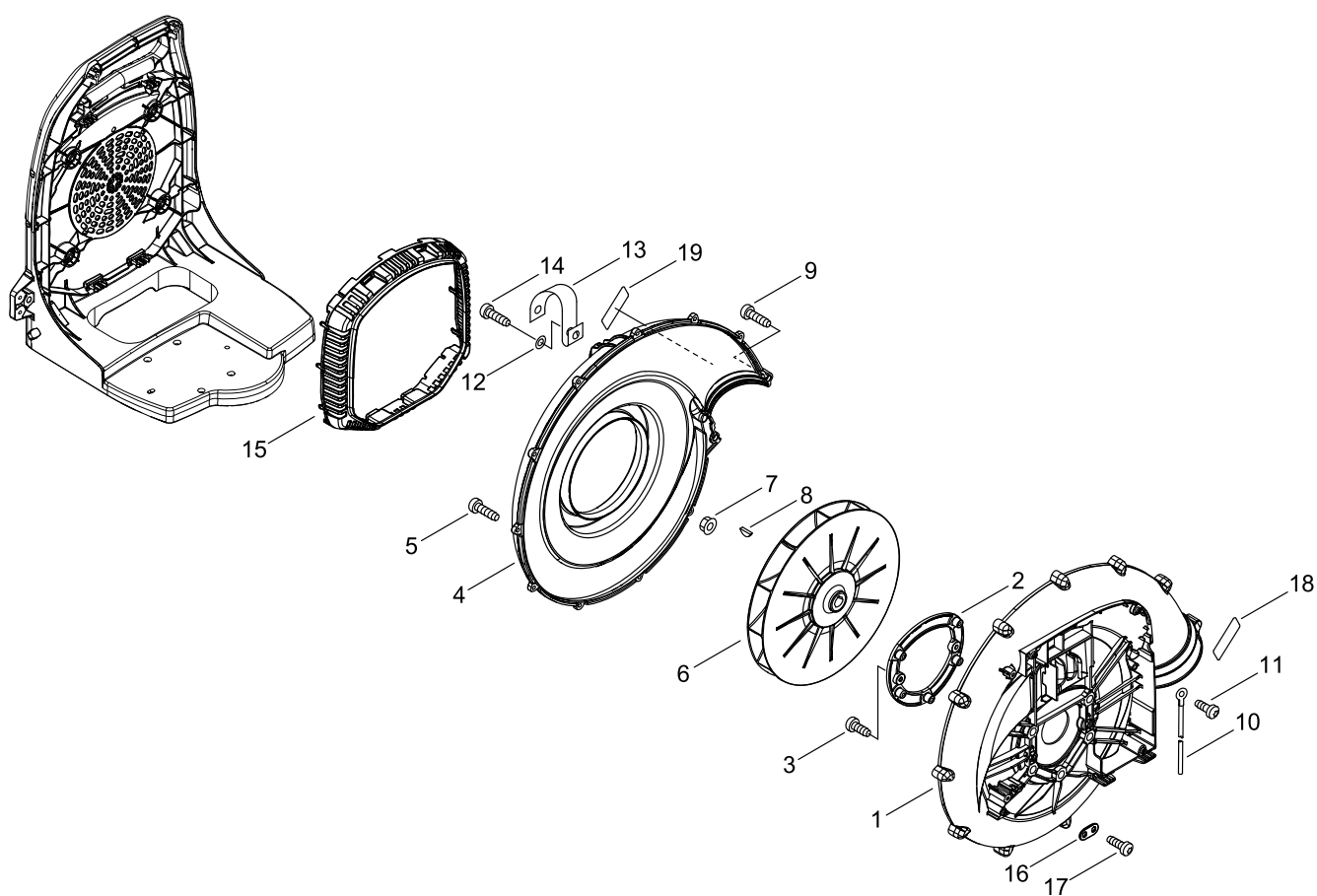
RECOIL STARTER, PULLY

Key No.	LV (+)	Parts Number	Parts Description	Qty	Standard	Class
1		A051-000841	STARTER,RECOIL	1		B
2	+	P022-039320	STARTER CASE	1		
3	++	P022-045770	GUIDE, ROPE	1		C
4	+	P022-010280	DRUM, STARTER	1		
5	+	P022-004680	SPRING, SPIRAL	1		C
6	+	177236-61830	SCREW	1		C
7	+	P022-010270	ROPE	1		
8	+	177228-11620	GRIP, STARTER	1		C
9	+	P022-010260	CAP, GRIP	1		C
10	+	P022-010250	WASHER, THRUST	1		
11	+	P022-010240	WASHER	1		
12	+	P022-010231	SPRING, FRICTION	1		
13	+	P022-010221	PLATE, FRICTION	1		
14		A052-000270	PULLEY,ASM STARTER	1		C
15	+	P022-003120	PAWL, STARTER	2		
16	+	P022-003130	SPRING, RETURN	2		
17	+	P022-002100	E-RING	2	4	C
18		V253-001020	SCREW,5	4	TB2411 10MM	C
19		X504-007390	LABEL,BRAND	1	SHINDAIWA	D

Class : Consumable class

A:Fast moving parts B:Semi-fast moving parts C:Slow moving parts D:Order only as needed

FAN CASE



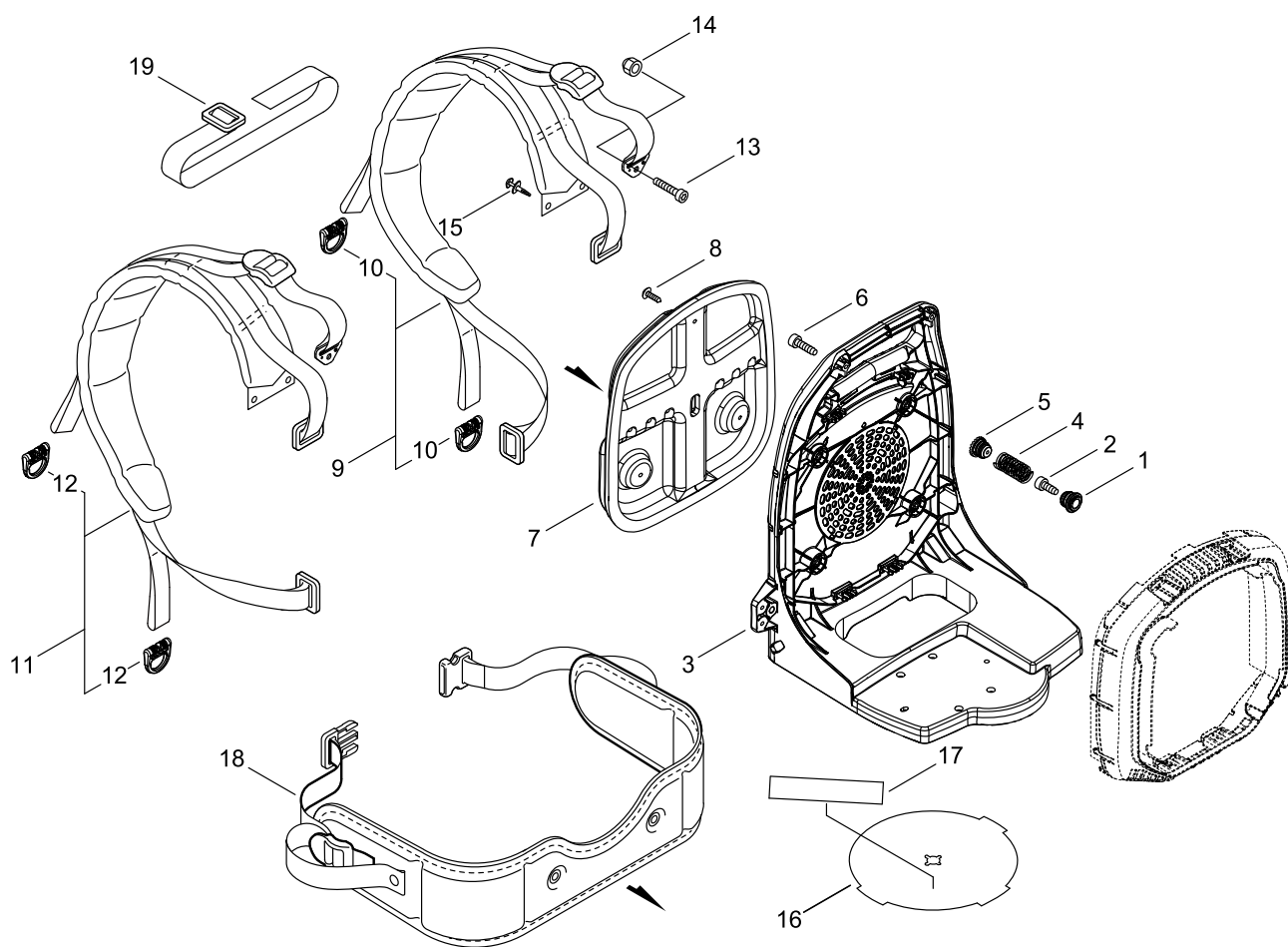
FAN CASE

Key No.	LV (+)	Parts Number	Parts Description	Qty	Standard	Class
1		E103-001440	CASE,FAN	1		C
2		C632-000100	PLATE, ENG	1		C
3		V805-000000	BOLT, TORX 5	2	TT-5*16 DG 10.9	C
4		E103-001450	CASE,FAN	1		C
5		V805-000010	BOLT, TORX 5	10	TT-5*20 DG 10.9	C
6		E100-000080	FAN,BLOWER	1		C
7		900519-00010	NUT, FLANGE 10	1	10*1.25	
8		900323-03014	KEY WOODRUFF	1	3*14	
9		V805-000010	BOLT, TORX 5	2	TT-5*20 DG 10.9	C
10		V485-001200	LEAD	1		C
11		V805-000240	BOLT, TORX 5	1	TT-5*12 DG 10.9	C
12		613019-07350	WASHER 5.5*16*2T	2	5.5*16*2T	C
13		C617-000380	STOPPER	1	T:1.2X100	C
14		V805-000010	BOLT, TORX 5	2	TT-5*20 DG 10.9	C
15		E104-000100	GRID, BLOWER	1		C
16		V150-001350	PLATE,EYE	1		C
17		V805-000000	BOLT, TORX 5	1	TT-5*16 DG 10.9	C
18		X505-010790	LABEL,CAUTION	1		D
19		X505-007910	LABEL,CAUTION	1		D

Class : Consumable class

A:Fast moving parts B:Semi-fast moving parts C:Slow moving parts D:Order only as needed

BACKPACK HARNESS



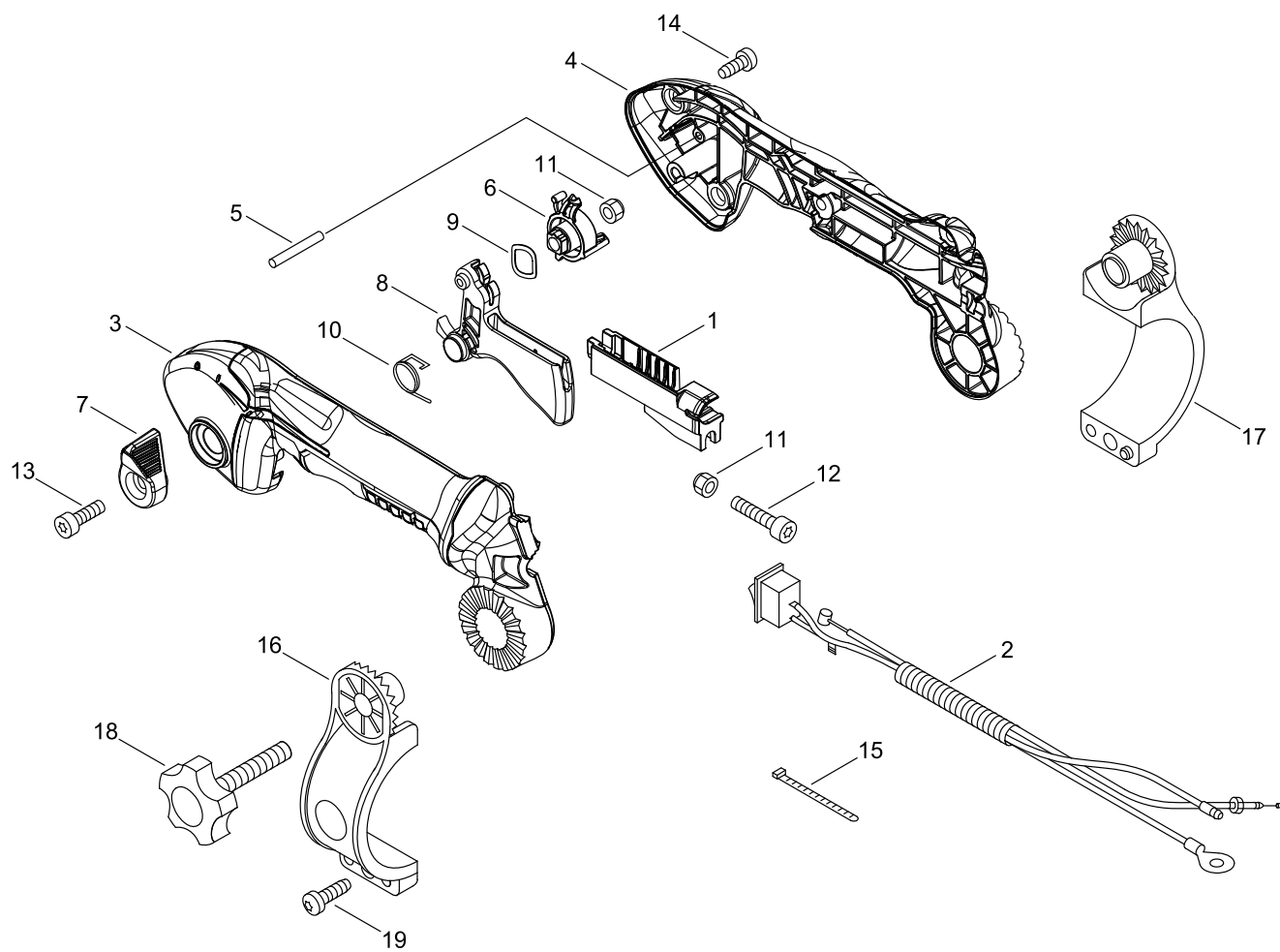
BACKPACK HARNESS

Key No.	LV (+)	Parts Number	Parts Description	Qty	Standard	Class
1		V456-000260	HOLDER,SPRING	4		C
2		V805-000000	BOLT, TORX 5	4	TT-5*16 DG 10.9	C
3		C620-000336	FRAME, BACKPACK	1		C
4		V450-000780	SPRING,COMPRESSION	4	2.6-19.4-46.2	B
5		V456-000271	HOLDER,SPRING	4		C
6		V805-000010	BOLT, TORX 5	4	TT-5*20 DG 10.9	C
7		C630-000070	SEAT, BACKPACK	1		C
8		V491-000090	CLIP	3		C
9		P021-046553	HARNESS,BACKPACK ASY	1		B
10	+	C645-000080	BUCKLE, HARNESS	2		C
11		P021-046563	HARNESS,BACKPACK ASY	1		B
12	+	C645-000080	BUCKLE, HARNESS	2		C
13		V805-000050	BOLT, TORX 5	2	TB-5*30 10.9	C
14		900562-50005	NUT, LOCK	2	5	
15		V491-000540	CLIP	4	PUSH FASTENER	C
16		C635-000000	LID,SEAT	1		B
17		X505-009090	LABEL,CAUTION	1		D
18		C644-000240	PAD, HARNESS	1	HIP BELT	
19		C651-000140	BELT, HARNESS	1		

Class : Consumable class

A:Fast moving parts B:Semi-fast moving parts C:Slow moving parts D:Order only as needed

THROTTLE



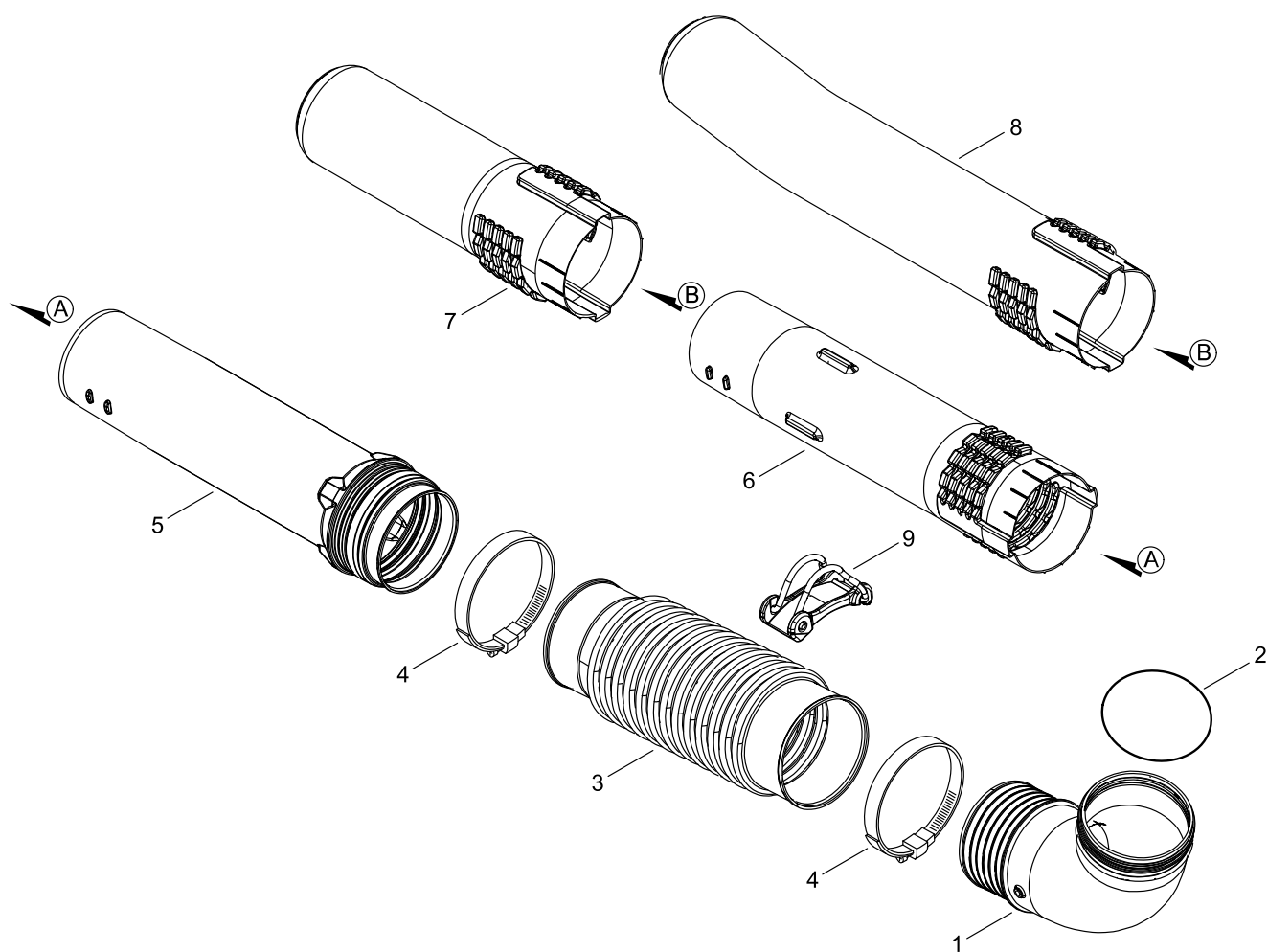
THROTTLE

Key No.	LV (+)	Parts Number	Parts Description	Qty	Standard	Class
1		C482-000101	CONNECTOR, CABLE	1		C
2		V043-001171	CABLE ASY, CONTROL	1	PB-770T	B
3		C400-001532	HANDLE,FRONT	1	LEFT GRIP 2SHOT	C
4		C400-001541	HANDLE,FRONT	1	RIGHT GRIP 2SHOT	C
5		V621-000040	PIN,STRAIGHT 3	1	3*32	C
6		C453-000580	LEVER, THROTTLE	1		C
7		C453-000570	LEVER,THROTTLE	1		C
8		C450-001030	TRIGGER,THROTTLE	1		C
9		429752-01850	WASHER, WAVE 12	1		C
10		V452-001630	SPRING,TORSION	1	SPRING	B
11		900562-50005	NUT, LOCK	2	5	
12		V805-000050	BOLT, TORX 5	1	TB-5*30 10.9	C
13		V805-000160	BOLT, TORX 5	1	TB-5*20 10.9	C
14		V805-000000	BOLT, TORX 5	4	TT-5*16 DG 10.9	C
15		178121-43230	BAND	1	CV-150 BL	C
16		C405-000360	BRACKET,HANDLE	1		C
17		C405-000370	BRACKET,HANDLE	1		C
18		V299-000630	KNOB,FASTENER	1	BOLT/V299520010X	C
19		V805-000010	BOLT, TORX 5	1	TT-5*20 DG 10.9	C

Class : Consumable class

A:Fast moving parts B:Semi-fast moving parts C:Slow moving parts D:Order only as needed

PIPE



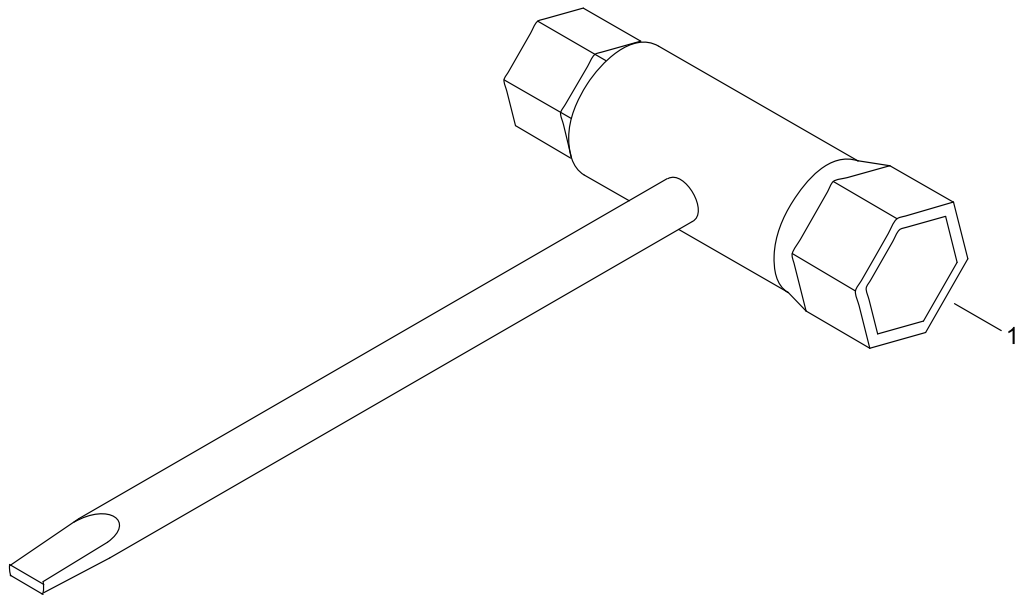
PIPE

Key No.	LV (+)	Parts Number	Parts Description	Qty	Standard	Class
1		E160-000131	PIPE,MAIN	1		B
2		92501-09500	O-RING	1		
3		E164-000090	PIPE,FLEXIBLE	1		B
4		V495-000440	BAND	2	77.8MM /101.6MM	C
5		E165-000721	PIPE,BLOWER	1		B
6		E165-000840	PIPE,BLOWER	1		B
7		E165-000280	PIPE,BLOWER	1	318*72/91	B
8		E165-000730	PIPE,BLOWER	1		B
9		C487-000420	HOLDER, CABLE	1	CABLE HOLDER ASM	C

Class : Consumable class

A:Fast moving parts B:Semi-fast moving parts C:Slow moving parts D:Order only as needed

ACCESSORIES



ACCESSORIES

Key No.	LV (+)	Parts Number	Parts Description	Qty	Standard	Class
1		X602-000120	TOOL,WRENCH	1	19-13	D

Class : Consumable class

A:Fast moving parts B:Semi-fast moving parts C:Slow moving parts D:Order only as needed

NUMERICAL PARTS INDEX

Part No	Part description	Page	Part No	Part description	Page	Part No	Part description	Page
100015-00120	CIRCLIP, PISTON PIN	2	A051-000841	STARTER,RECOIL	16	C644-000240	PAD, HARNESS	20
101578-38431	PLUG	2	A052-000270	PULLEY,ASM STARTER	16	C645-000080	BUCKLE, HARNESS	20
123122-05560	SPRING, METER. LEVER	10	A101-000020	RING,PISTON	2	C651-000140	BELT, HARNESS	20
123123-03930	LEVER, METERING	10	A101-000030	RING,PISTON	2	E100-000080	FAN,BLOWER	18
123126-10631	SCREEN, INLET	10	A127-000240	COVER,DUST	4	E103-001440	CASE,FAN	18
123137-19830	VALVE, INLET NEEDLE	10	A130-001050	CYLINDER	2	E103-001450	CASE,FAN	18
123138-03930	PIN, METERING LEVER	10	A160-001242	COVER,CYLINDER	2	E104-000100	GRID, BLOWER	18
123140-27230	GASKET,M. DIAPHRAGM	10	A201-000010	ADAPTER, INTAKE	8	E160-000131	PIPE,MAIN	24
123142-03930	COVER, M. DIAPHRAGM	10	A202-000090	BELLOWS, INTAKE	8	E164-000090	PIPE,FLEXIBLE	24
123143-12110	RING, PACKING	10	A205-000000	RING, SEAL	8	E165-000280	PIPE,BLOWER	24
123144-44330	SCREW	10	A226-000410	ELEMENT, AIR FILTER	8	E165-000721	PIPE,BLOWER	24
123149-54230	WASHER	10	A226-000480	ELEMENT, AIR FILTER	8	E165-000730	PIPE,BLOWER	24
123172-45130	SWIVEL	10	A227-000030	PLATE,ELEMENT	8	E165-000840	PIPE,BLOWER	24
123173-07930	CLIP	10	A235-000000	KNOB,CLEANER LID	8	P003-001850	DIAPHRAGM, METERING	10
123181-39130	PUMP, PRIMER	12	A242-000260	LEVER,CHOKE	8	P003-002400	SCREW	10
131051-56030	CLIP, FUEL CAP	12	A243-000370	SHUTTER,CHOKE	8	P003-004100	GASKET, PUMP	10
131328-40630	COVER, VENT	12	A244-000090	PLATE, PREVENT	8	P003-005500	BODY ASSEMBLY, PUMP	10
131911-03460	WASHER	8	A246-000040	CAP,CARBURETOR	8	P003-005510	SCREW	10
132115-55931	GROMMET, FUEL	12	A310-000000	SCREEN,ARRESTOR	14	P003-005650	DIAPHRAGM, FUEL PUMP	10
156112-40630	GROMMET	6	A313-000520	GUIDE,EXH	14	P003-005880	NEEDLE	10
159011-03432	COIL, SPARK PLUG	6	A313-001080	GUIDE, EXHAUST	14	P021-002984	PISTON KIT	2
159012-03433	CAP, SPARK PLUG	6	A350-000980	TANK, FUEL	12	P021-014061	CAP,FUER ASSY	12
177228-11620	GRIP, STARTER	16	A356-000031	VALVE,CHECK	12	P021-017260	CRANKCASE KIT	4
177236-61830	SCREW	16	A369-000460	STRAINER, FUEL	12	P021-017273	MUFFLER ASY	14
178121-43230	BAND	22	A392-000281	BAND, FUEL TANK	12	P021-046553	HARNESS,BACKPACK ASY	20
429752-01850	WASHER, WAVE 12	22	A409-000390	ROTOR, MAGNETO	6	P021-046563	HARNESS,BACKPACK ASY	20
613019-07350	WASHER 5.5*16*2T	12	A411-001521	COIL, IGNITION	6	P021-051930	CASE,CLEANER	8
613019-07350	WASHER 5.5*16*2T	14	A413-000190	BOOT	12	P022-002100	E-RING	16
613019-07350	WASHER 5.5*16*2T	18	A425-000000	SPARKPLUG	6	P022-003120	PAWL, STARTER	16
890332-52730	LABEL, CHOKE	8	A429-000060	COVER,CAP	2	P022-003130	SPRING, RETURN	16
900323-03014	KEY WOODRUFF	6	C400-001532	HANDLE,FRONT	22	P022-004680	SPRING, SPIRAL	16
900323-03014	KEY WOODRUFF	18	C400-001541	HANDLE,FRONT	22	P022-010221	PLATE, FRICTION	16
900519-00010	NUT, FLANGE 10	6	C405-000360	BRACKET,HANDLE	22	P022-010231	SPRING, FRICTION	16
900519-00010	NUT, FLANGE 10	18	C405-000370	BRACKET,HANDLE	22	P022-010240	WASHER	16
900562-50005	NUT, LOCK	20	C450-001030	TRIGGER,THROTTLE	22	P022-010250	WASHER, THRUST	16
900562-50005	NUT, LOCK	22	C453-000570	LEVER,THROTTLE	22	P022-010260	CAP, GRIP	16
900600-00005	WASHER	2	C453-000580	LEVER, THROTTLE	22	P022-010270	ROPE	16
900605-00005	WASHER, SPRING	2	C480-000130	GUIDE,CABLE	8	P022-010280	DRUM, STARTER	16
92110-03000	NUT, LOCK	8	C482-000101	CONNECTOR, CABLE	22	P022-039320	STARTER CASE	16
92501-09500	O-RING	24	C487-000420	HOLDER, CABLE	24	P022-045770	GUIDE, ROPE	16
94032-36302	BEARING, BALL	4	C617-000380	STOPPER	18	P100-007000	ENGINE COVER ASY	2
A011-000572	CRANKSHAFT,ASY	2	C620-000336	FRAME, BACKPACK	20	P100-007220	CLEANER COVER ASY	8
A021-003942	CARBURETOR, DIAPHRAGM	8	C630-000070	SEAT, BACKPACK	20	V043-001171	CABLE ASY, CONTROL	22
A021-003942	CARBURETOR, DIAPHRAGM	10	C632-000100	PLATE, ENG	18	V100-000290	GASKET,CYL	2
			C635-000000	LID,SEAT	20			

NUMERICAL PARTS INDEX

Part No	Part description	Page	Part No	Part description	Page
V102-000070	GASKET,CRANKCASE	4	V805-000000	BOLT, TORX 5	18
V103-000530	GASKET,INTAKE	8	V805-000000	BOLT, TORX 5	20
V104-000551	GASKET,EXHAUST	14	V805-000000	BOLT, TORX 5	22
V104-000560	GASKET,EXHAUST	14	V805-000010	BOLT, TORX 5	2
V104-000950	GASKET,EXHAUST	14	V805-000010	BOLT, TORX 5	8
V107-000190	GASKET,FUEL CAP	12	V805-000010	BOLT, TORX 5	18
V150-001350	PLATE,EYE	18	V805-000010	BOLT, TORX 5	20
V201-000010	BOLT,3	8	V805-000010	BOLT, TORX 5	22
V253-000990	SCREW,5	2	V805-000050	BOLT, TORX 5	20
V253-001000	SCREW,5	8	V805-000050	BOLT, TORX 5	22
V253-001010	SCREW,5	2	V805-000160	BOLT, TORX 5	6
V253-001020	SCREW,5	16	V805-000160	BOLT, TORX 5	22
V253-001030	SCREW,5	12	V805-000180	BOLT, TORX 5	4
V253-001040	SCREW,5	4	V805-000190	BOLT, TORX 5	8
V254-000220	SCREW,6	4	V805-000220	BOLT, TORX 5	2
V299-000630	KNOB,FASTENER	22	V805-000240	BOLT, TORX 5	18
V307-000550	WASHER,CIRCULAR 10	2	V805-000250	BOLT, TORX 5	14
V323-000060	WASHER,CIRCULAR 5	2	V806-000050	BOLT, TORX 6	14
V351-000020	COLLAR,3	8	X504-007390	LABEL,BRAND	16
V420-000910	CUSHION	2	X504-008620	LABEL,BRAND	2
V420-004620	CUSHION	12	X505-002310	LABEL,CAUTION	2
V450-000780	SPRING,COMPRESSION	20	X505-007910	LABEL,CAUTION	18
V452-001630	SPRING,TORSION	22	X505-009090	LABEL,CAUTION	20
V456-000260	HOLDER,SPRING	20	X505-010790	LABEL,CAUTION	18
V456-000271	HOLDER,SPRING	20	X602-000120	TOOL,WRENCH	26
V470-000861	PIPE	12			
V471-001241	PIPE	12			
V471-001471	PIPE	12			
V471-002311	PIPE	12			
V475-004401	TUBE	12			
V485-001180	LEAD	4			
V485-001190	LEAD	2			
V485-001200	LEAD	18			
V485-002900	LEAD	6			
V490-001230	CLIP	12			
V490-001240	CLIP	12			
V491-000090	CLIP	20			
V491-000540	CLIP	20			
V495-000440	BAND	24			
V508-000100	SEAL,OIL 15	4			
V555-000010	BEARING,NEEDLE 10	2			
V608-000010	PIN,ENG 10	2			
V621-000040	PIN,STRAIGHT 3	22			
V804-000050	BOLT, TORX 4	14			
V805-000000	BOLT, TORX 5	8			