

shindaiwa[®]

PARTS CATALOG

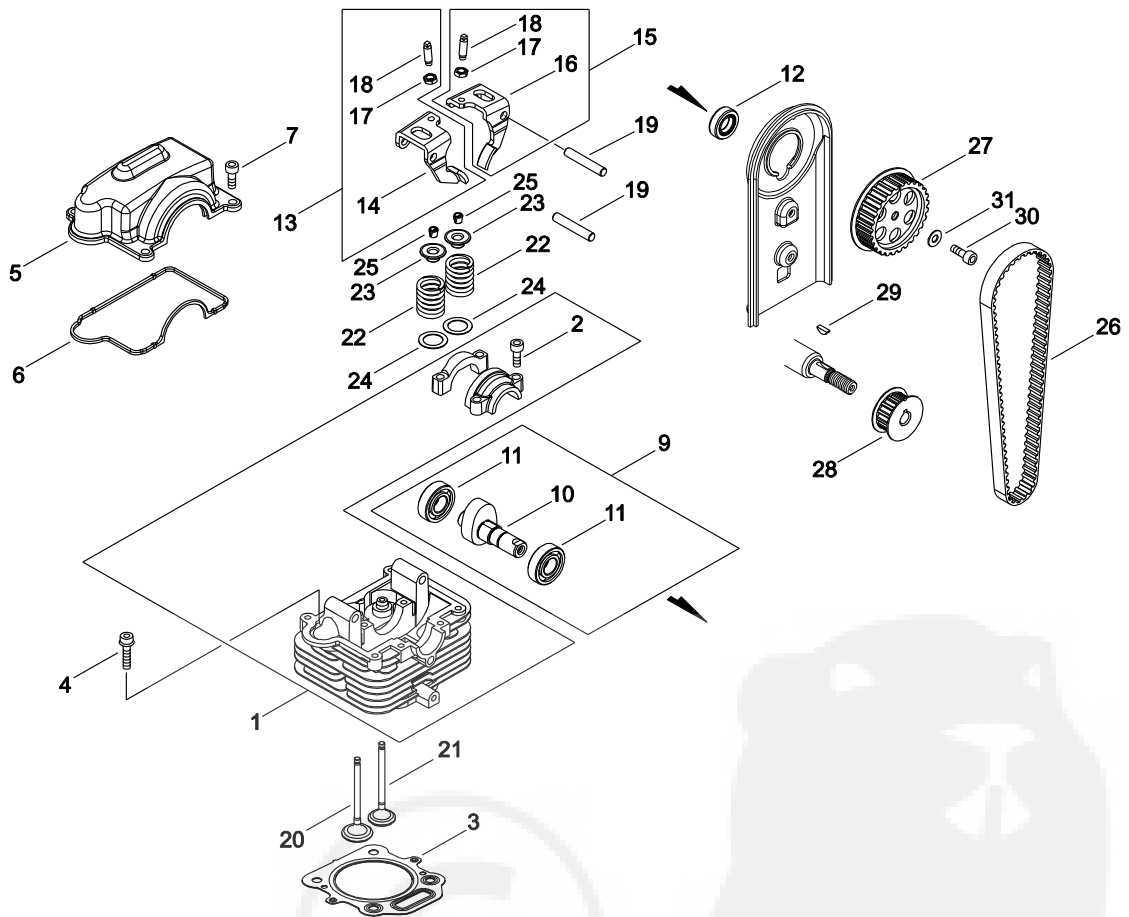
**BLOWER
EB8520RT(37)**

37032671 -

CE

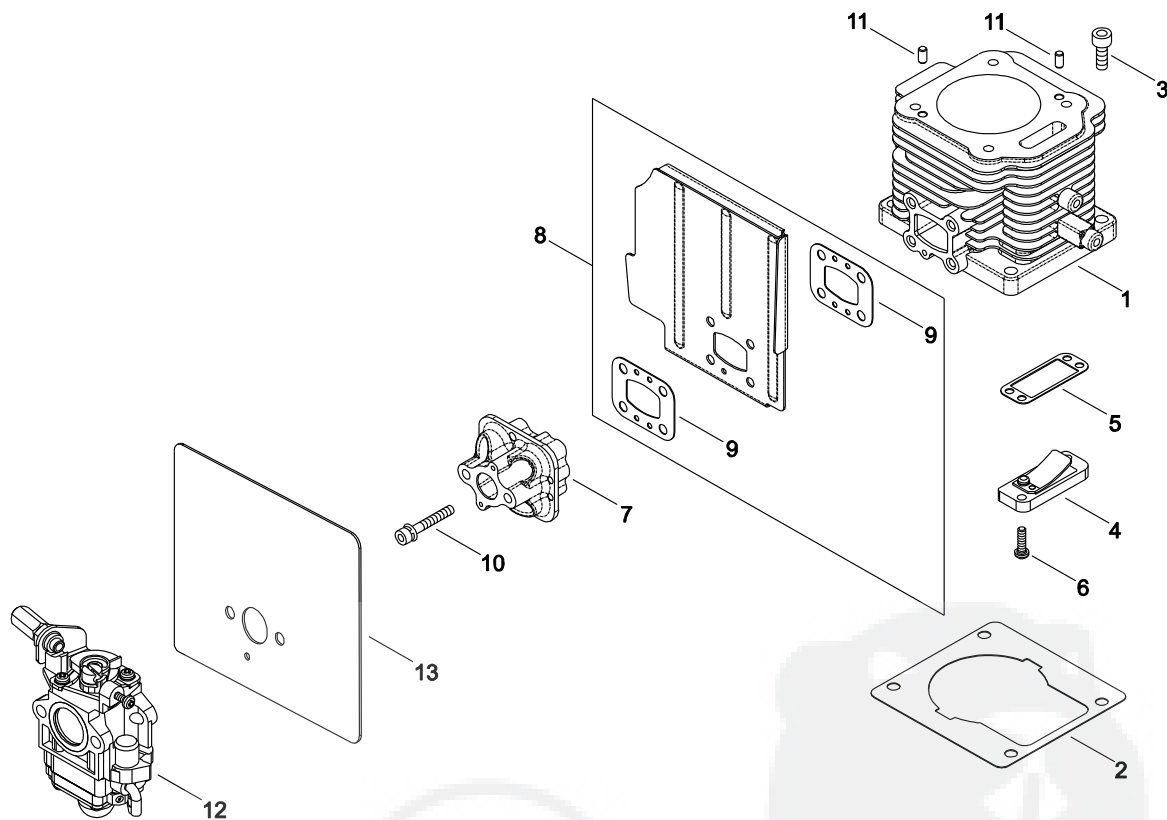
P016-000591-14D

1. CYLINDER HEAD, VALVE



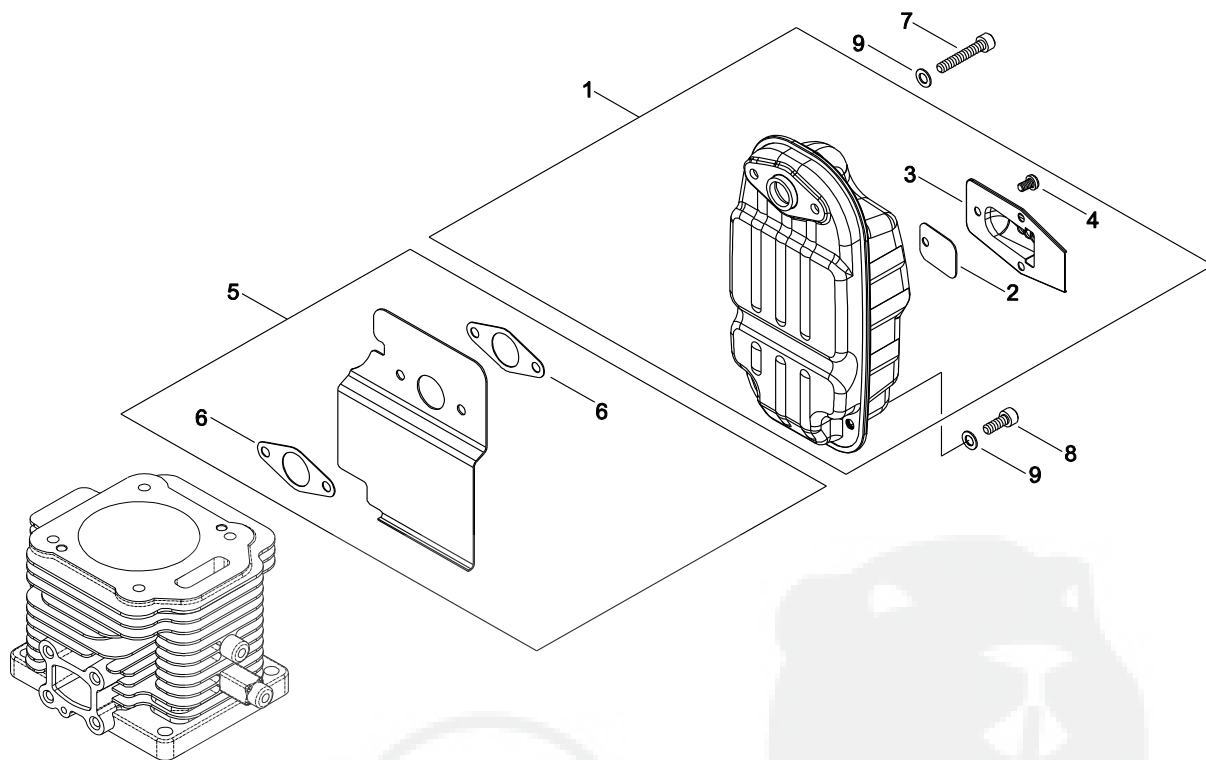
KEY	LV	PART NUMBER	Q'TY	DESCRIPTION	REMARKS	NOTE1	NOTE2
25		A605-000010	4	COTTER			
26		V196-000110	1	BELT			
27		V176-000070	1	CAM PULLEY			
28		V176-000080	1	CRANK PULLEY			
29		V381-000030	1	KEY			
30		900105-05014	1	BOLT, H.S. 5*14	5*14		
31		900602-00005	1	WASHER 5	5.3*10*1		

2. FAN COVER, CYLINDER COVER



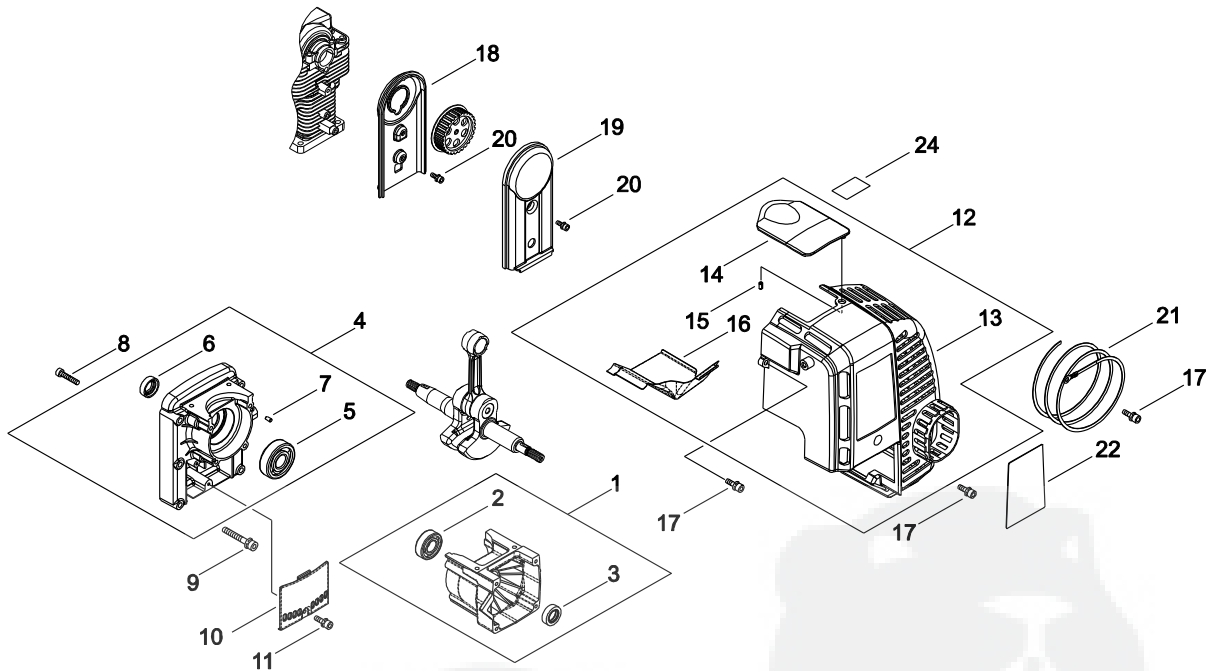
KEY	LV	PART NUMBER	Q'TY	DESCRIPTION	REMARKS	NOTE1	NOTE2
1		A130-001100	1	CYLINDER			
2		V100-000330	1	GASKET			
3		900105-06025	4	BOLT, H.S. 6*25	6*25		
4		A024-000030	1	REED VALVE ASSY			
5		V109-000080	1	GASKET			
6		91461-04014	2	SCREW			
7		A200-000420	1	INSULATOR			
8		A209-000230	1	BAFFLE PLATE COMP			
9	+	V103-000630	2	GASKET			
10		V203-000480	4	BOLT M5*30			
11		900330-40080	2	PIN F 4*8	4*8		
12		A021-002050	1	CARBURETOR ASSY			
13		V103-000650	1	GASKET			

3. MUFFLER



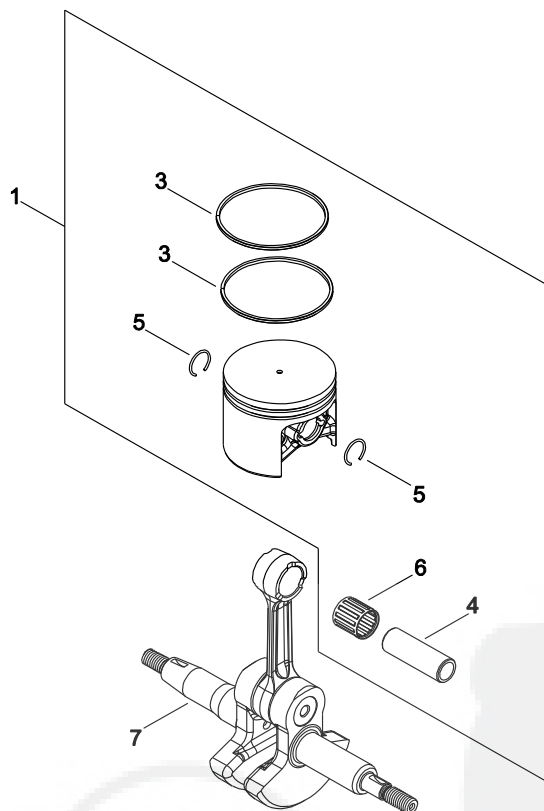
KEY	LV	PART NUMBER	Q'TY	DESCRIPTION	REMARKS	NOTE1	NOTE2
1		A030-000101	1	MUFFLER ASY			
2	+	A310-000160	1	SCREEN			
3	+	A313-001211	1	GUIDE, EXHAUST			
4	+	91338-05008	3	SCREW			
5		V104-001070	1	GASKET			
6	+	V104-001080	2	GASKET			
7		91109-06035	2	BOLT			
8		900105-06016	2	BOLT, H.S. 6*16	6*16		
9		900600-00006	4	WASHER 6	6		

4. CYLINDER COVER



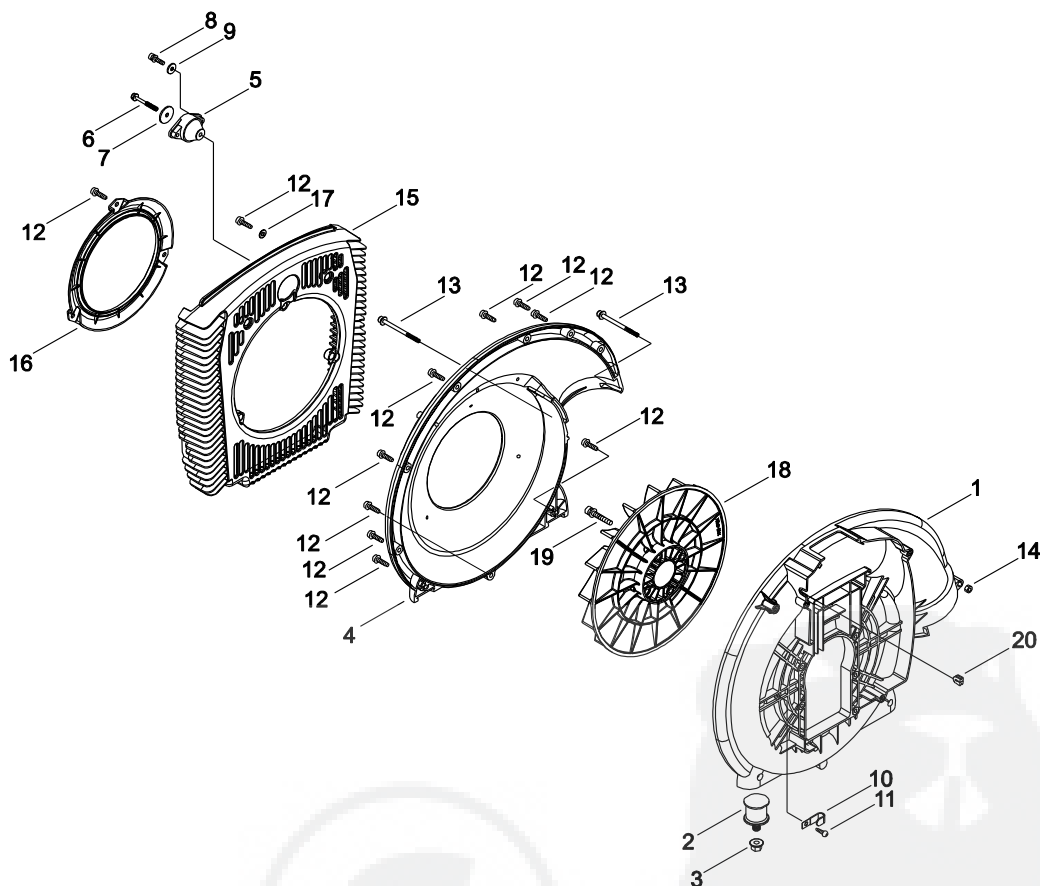
KEY	LV	PART NUMBER	Q'TY	DESCRIPTION	REMARKS	NOTE1	NOTE2
1		P021-029640	1	CRANKCASE,S-COMP			
2	+	V592-000290	1	BEARING, BALL	6202X47C3		
3	+	V508-000040	1	OIL SEAL			
4		P021-029650	1	CRANKCASE,M-COMP			
5	+	94000-36303	1	BEARING, BALL			
6	+	V508-000040	1	OIL SEAL			
7	+	900330-40080	2	PIN F 4*8	4*8		
8		900105-05030	4	BOLT, H.S. 5*30	5*30		
9		V204-000370	6	BOLT ADHESIVE			
10		A127-000260	1	IGNITION COIL COVER			
11		V202-000190	1	BOLT SW			
12		P021-035390	1	ENGINE COVER COMP			
13	+	A190-001041	1	COVER,ENGINE			
14	+	A429-000080	1	GROMMET			
15	+	900342-40008	1	PIN, SPRING 4*8	4*8		
16	+	A322-000090	1	PLATE			
17		91113-05016	4	BOLT	CM-5*16 SW,W		
18		C589-000750	1	BELT CASE			
19		C589-000760	1	BELT COVER			
20		V203-000701	2	BOLT,5	M5X12 WSW		
21		V485-002181	1	LEAD			
22		X543-003530	1	LABEL,MODEL	SHINDAIWA EB8520		
24		X505-002310	1	LABEL,CAUTION	HOT CAUTION		

5. PISTON, CRANKSHAFT



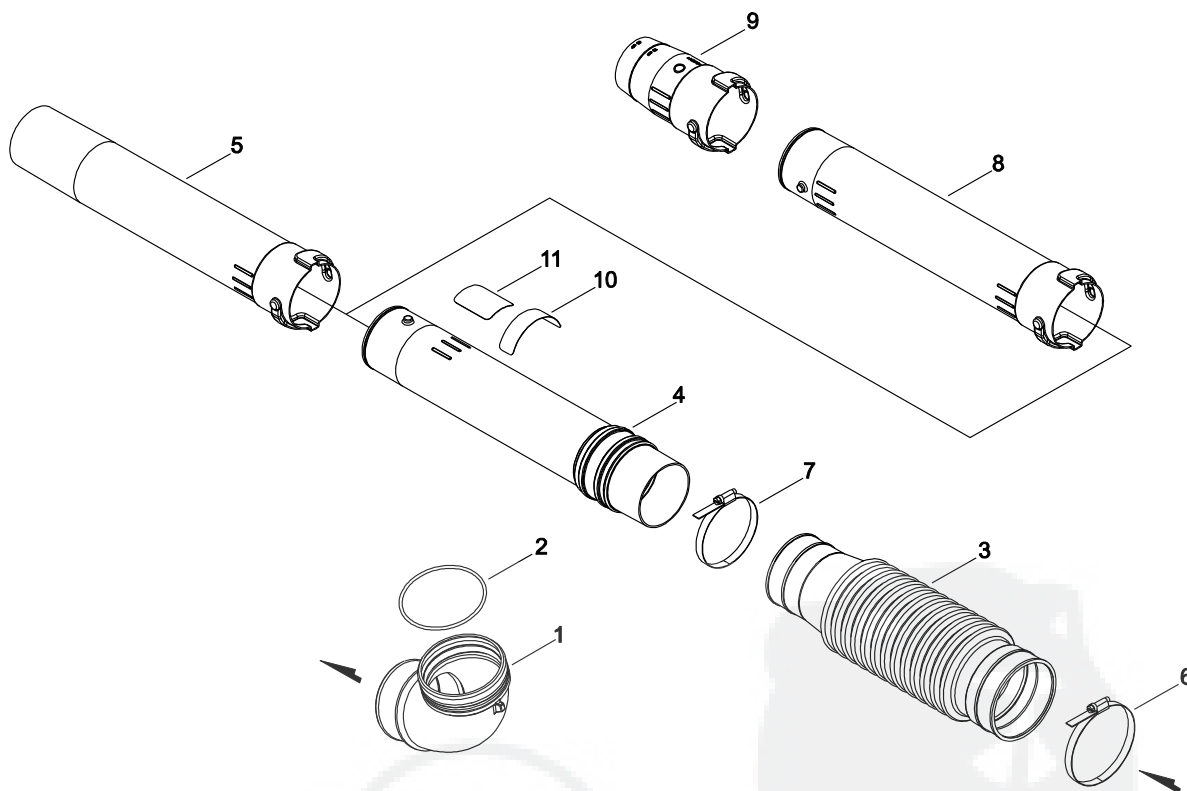
KEY	LV	PART NUMBER	Q'TY	DESCRIPTION	REMARKS	NOTE1	NOTE2
1		P021-029540	1	PISTON SET			
3	+	A101-000280	2	PISTON RING			
4	+	V610-000010	1	PISTON PIN			
5	+	V580-000060	2	SNAP RING			
6	+	V557-000030	1	BEARING, NEEDLE			
7		A011-000690	1	CRANK SHAFT			

6. FAN CASE



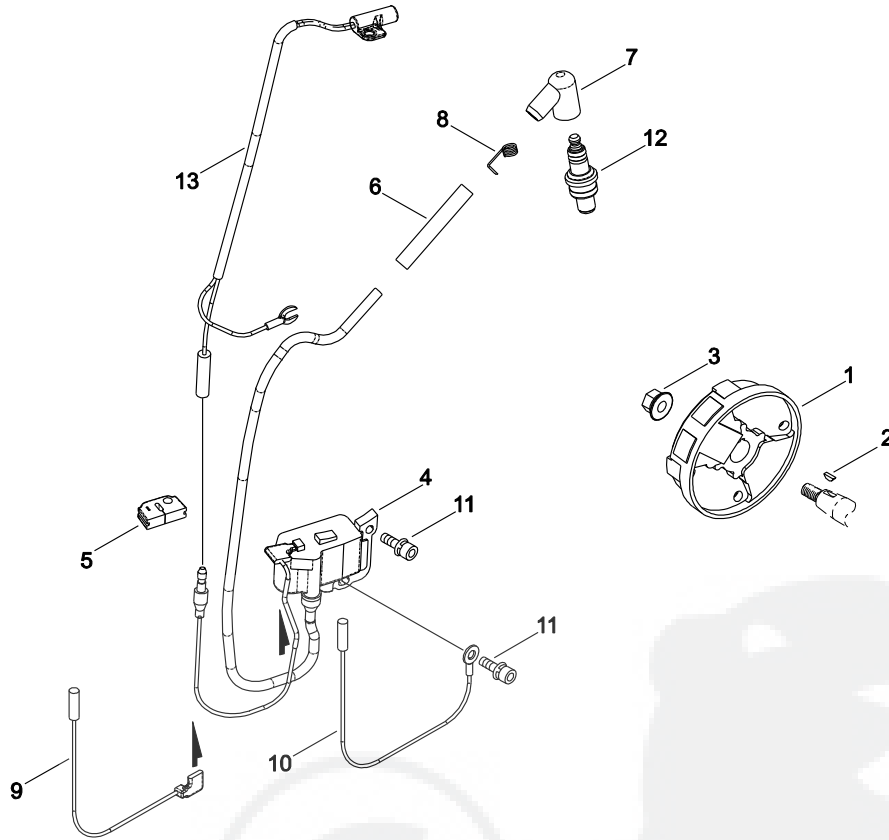
KEY	LV	PART NUMBER	Q'TY	DESCRIPTION	REMARKS	NOTE1	NOTE2
1		E103-000883	1	CASE,FAN			
2		V402-000070	2	AV RUBBER			
3		V264-000090	2	FLANGE NUT			
4		E103-000872	1	CASE,FAN			
5		V401-000190	1	AV RUBBER			
6		V203-000440	1	BOLT TAPPING			
7		V303-000130	1	COLLAR			
8		91122-05016	2	BOLT	CB-5*16 SW		
9		V303-000370	2	WASHER,CIRCULAR 5	16*5.5*1.6		
10		V490-000480	1	CLAMP			
11		91449-05014	1	SCREW TAPPING			
12		V203-000450	14	BOLT PC			
13		V203-000490	2	BOLT SW			
14		V263-000110	2	NUT			
15		E104-000171	1	GRID, BLOWER			
16		A161-000100	1	FUNNEL			
17		900603-00005	2	WASHER 5	5.5*12*0.8		
18		E100-000170	1	FAN			
19		91113-06035	4	BOLT	CM-6*35 SW,W		
20		V144-000250	1	GROMMET			

7. PIPE



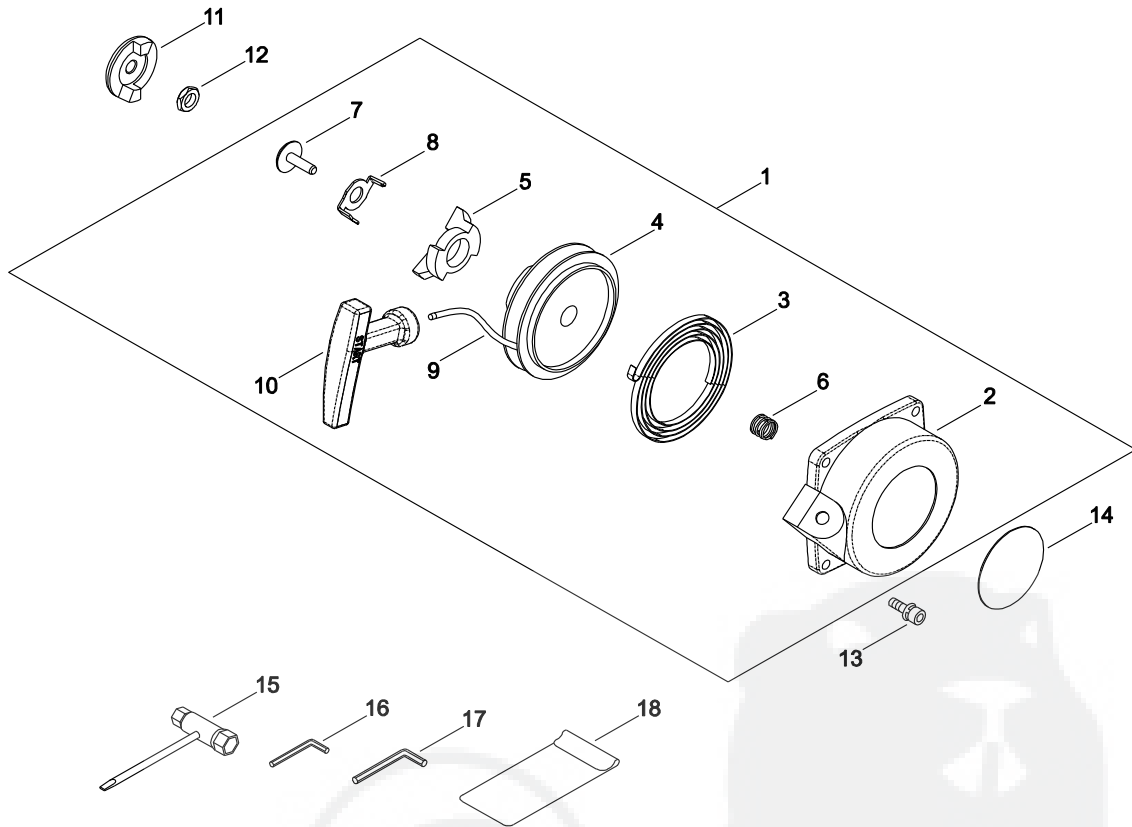
KEY	LV	PART NUMBER	Q'TY	DESCRIPTION	REMARKS	NOTE1	NOTE2
1		E160-000161	1	PIPE,MAIN			
2		V581-000170	1	O RING			
3		E164-000120	1	FLEXIBLE PIPE			
4		E165-000510	1	JOINT PIPE			
5		E165-000520	1	NOZZLE			
6		V495-001290	1	CLAMP			
7		V495-001300	1	CLAMP			
8		E165-000530	1	PIPE			
9		E165-000540	1	NOZZLE			
10		X505-002080	1	LABEL,CAUTION			
11		X505-002820	1	LABEL,CAUTION			

8. MAGNETO



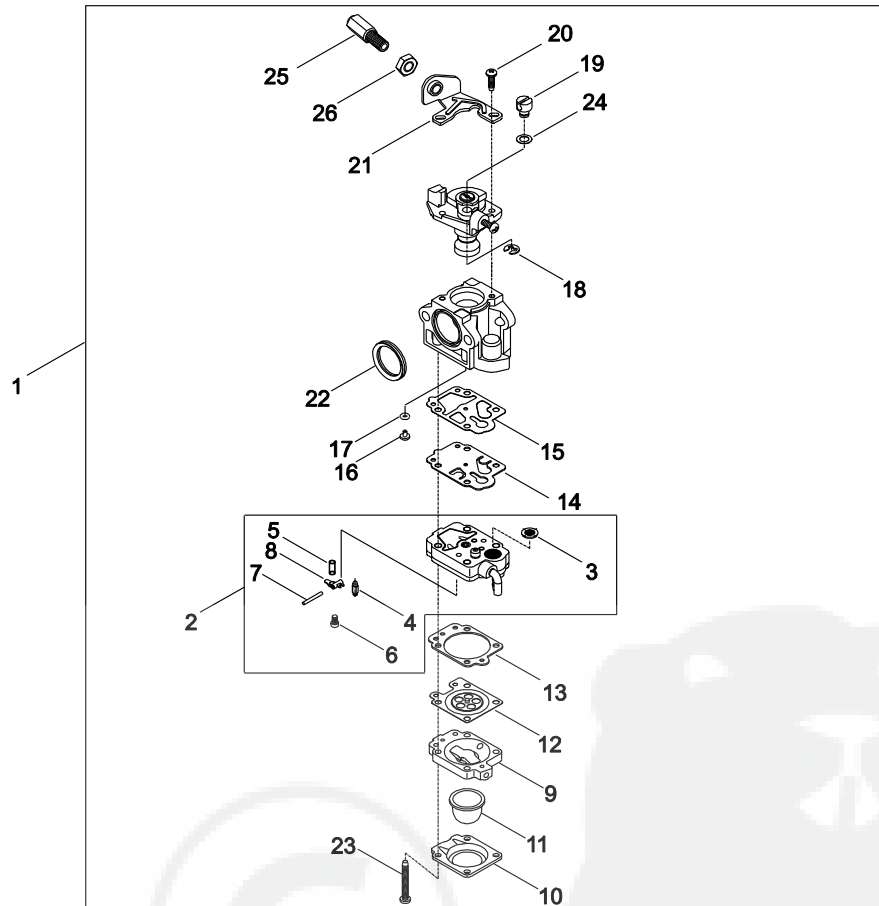
KEY	LV	PART NUMBER	Q'TY	DESCRIPTION	REMARKS	NOTE1	NOTE2
1		A409-000460	1	ROTOR			
2		V381-000030	1	KEY			
3		V265-000140	1	NUT			
4		A411-001140	1	COIL, IGNITION			
5		V144-000220	1	GROMMET			
6		V475-004430	1	TUBE			
7		A427-000050	1	PLUG CAP			
8		A426-000040	1	TERMINAL, SPARKPLUG			
9		V485-001360	1	LEAD WIRE			
10		V485-001350	1	LEAD WIRE			
11		V202-000190	2	BOLT SW			
12		A425-000040	1	SPARKPLUG	NGK CMR5H		
13		G365-000020	1	SENSOR			

9. RECOIL STARTER



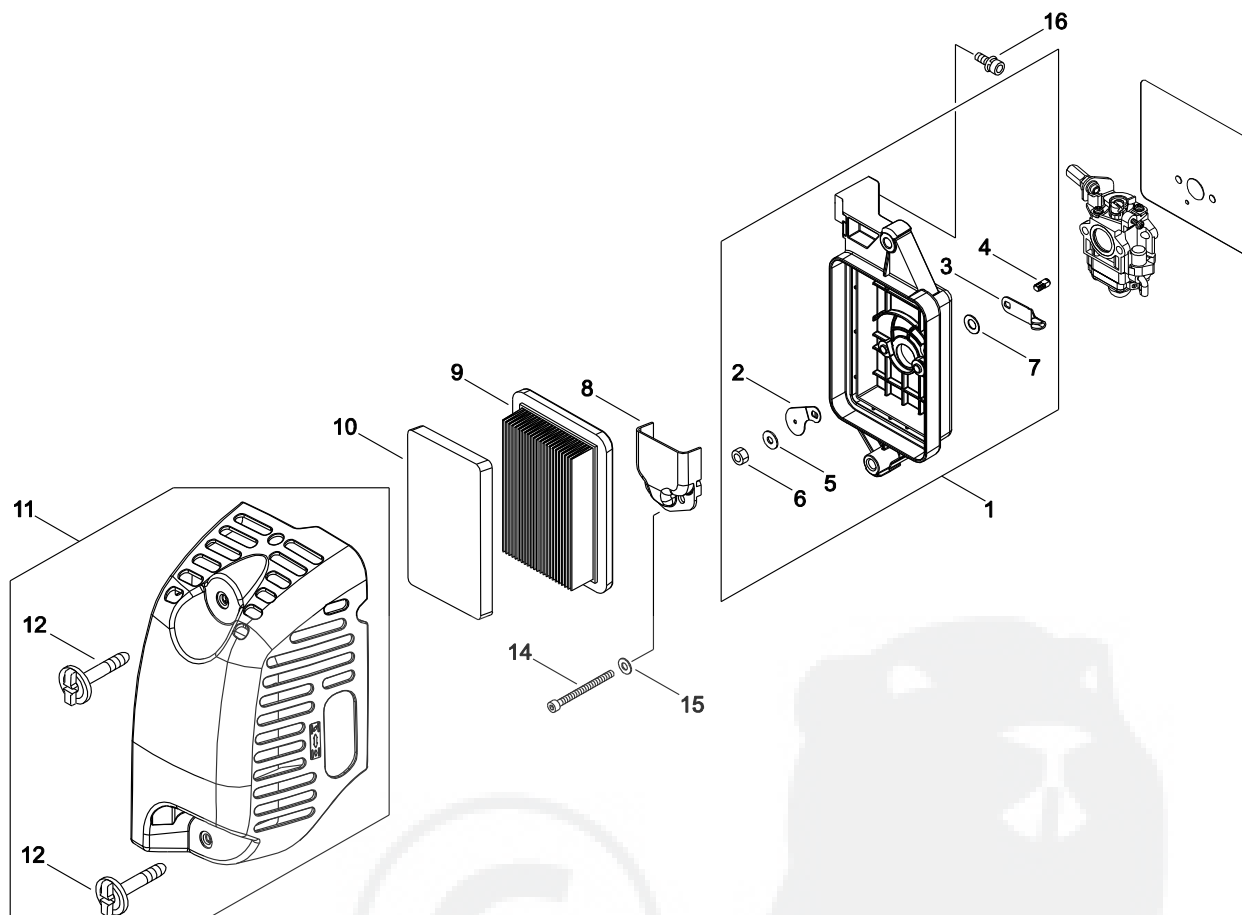
KEY	LV	PART NUMBER	QTY	DESCRIPTION	REMARKS	NOTE1	NOTE2
1		A051-001531	1	STARTER,RECOIL ASY			
2	+	P022-039340	1	CASE,STARTER			
3	+	P022-039350	1	SPRING, SPIRAL			
4	+	P022-039360	1	DRUM, STARTER			
5	+	P022-039370	1	DOG			
6	+	P022-039380	1	SPRING, BRAKE			
7	+	P022-039390	1	SCREW			
8	+	P022-039400	1	RETAINER			
9	+	P022-039410	1	ROPE			
10	+	P022-039420	1	HANDLE			
11		A520-000110	1	STARTER PULLEY			
12		900503-00008	1	NUT	3N8*P1.0		
13		V203-000351	4	BOLT,5	M5X20 WSW		
14		X504-006750	1	LABEL,BRAND			
15		X602-000160	1	PLUG WRENCH			
16		X605-000100	1	TOOL,L WRENCH	4MM M5		
17		X605-000070	1	HEXA WRENCH 6MM			
18		X705-000130	1	POLY BAG			

10. CARBURETOR



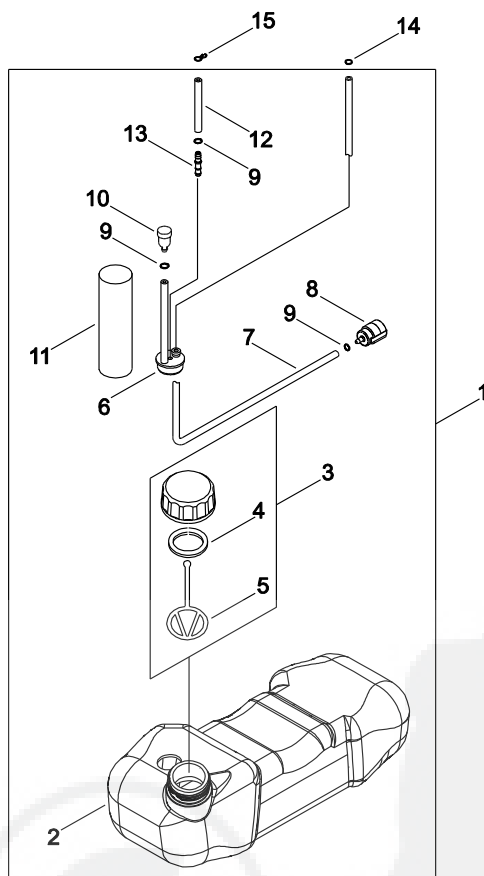
KEY	LV	PART NUMBER	Q'TY	DESCRIPTION	REMARKS	NOTE1	NOTE2
1		A021-002050	1	CARBURETOR ASSY			
2	+	123179-05560	1	BODY ASSY, PUMP			
3	++	123126-10631	1	SCREEN, INLET			
4	++	123137-19830	1	VALVE, INLET NEEDLE			
5	++	123122-05560	1	SPRING, METER. LEVER			
6	++	123139-05560	1	SCREW, M. LEVER PIN			
7	++	123138-03930	1	PIN, METERING LEVER			
8	++	123123-03930	1	LEVER, METERING			
9	+	123180-05560	1	BODY, AIR PURGE			
10	+	123142-05560	1	COVER, PRIMER PUMP			
11	+	123181-40630	1	PUMP, PRIMER			
12	+	P003-001850	1	DIAPHRAGM, METERING			
13	+	123140-05560	1	GASKET, M. DIAPHRAGM			
14	+	123112-40630	1	DIAPHRAGM, PUMP			
15	+	123125-40630	1	GASKET, PUMP			
16	+	P003-000640	1	JET			
17	+	123183-40630	1	O-RING			
18	+	123173-07930	1	CLIP			
19	+	123172-45130	1	SWIVEL			
20	+	P003-001400	2	SCREW, IDLE ADJUST			
21	+	P003-002590	1	BRACKET			
22	+	123143-12110	1	RING, PACKING			
23	+	123110-05560	4	SCREW, PUMP COVER			
24	+	123149-54230	1	WASHER			
25	+	123161-56430	1	SCREW, ADJUSTER			
26	+	123153-56430	1	NUT, ADJUSTER			

11. AIR CLEANER



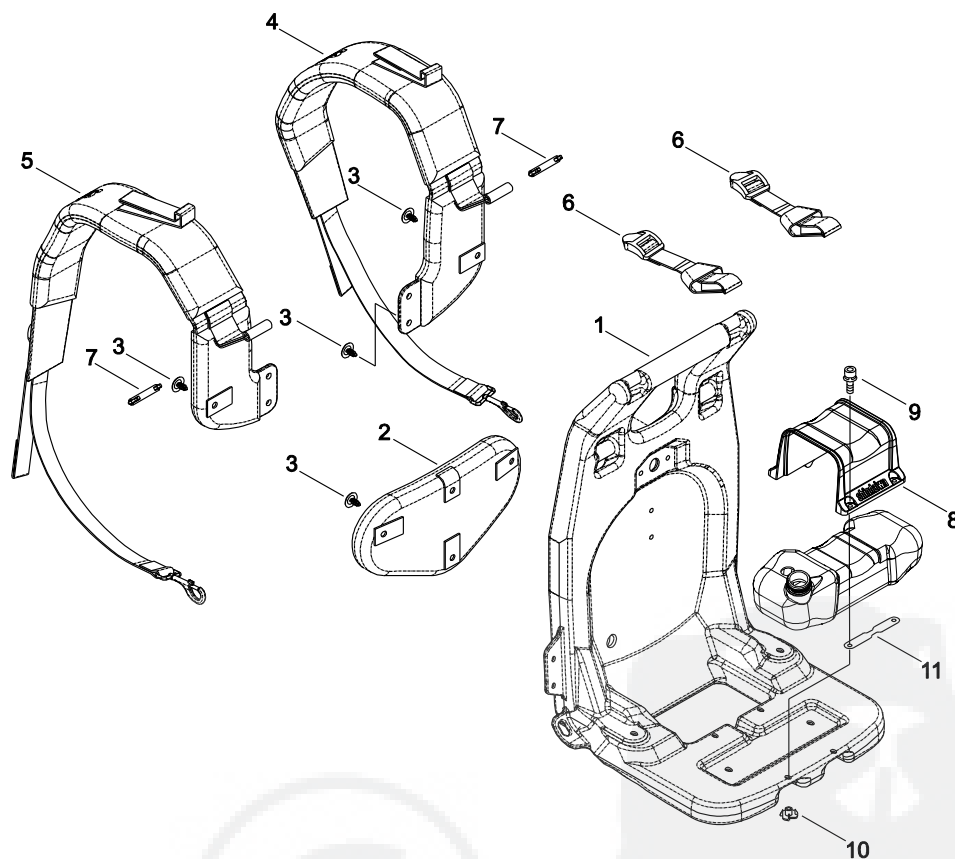
KEY	LV	PART NUMBER	Q'TY	DESCRIPTION	REMARKS	NOTE1	NOTE2
1		P021-039420	1	CLEANER BODY ASSY			
2	+	A243-000250	1	SHUTTER,CHOKE			
3	+	A242-000120	1	CHOKE LEVER			
4	+	E140-000090	1	CHOKE SHAFT			
5	+	900605-00006	1	WASHER, SPRING 6	6		
6	+	V264-000110	1	U NUT			
7	+	V347-000030	1	CONE WASHER			
8		A244-000110	1	PLATE			
9		A226-000530	1	FILTER			
10		A226-000540	1	PREFILTER			
11		P021-035401	1	CLEANER COVER ASSY	EB854		
12	+	A235-000000	2	KNOB,CLEANER LID			
14		91109-05070	2	BOLT			
15		900602-00005	2	WASHER 5	5.3*10*1		
16		V203-000351	1	BOLT,5	M5X20 WSW		

12. FUEL TANK



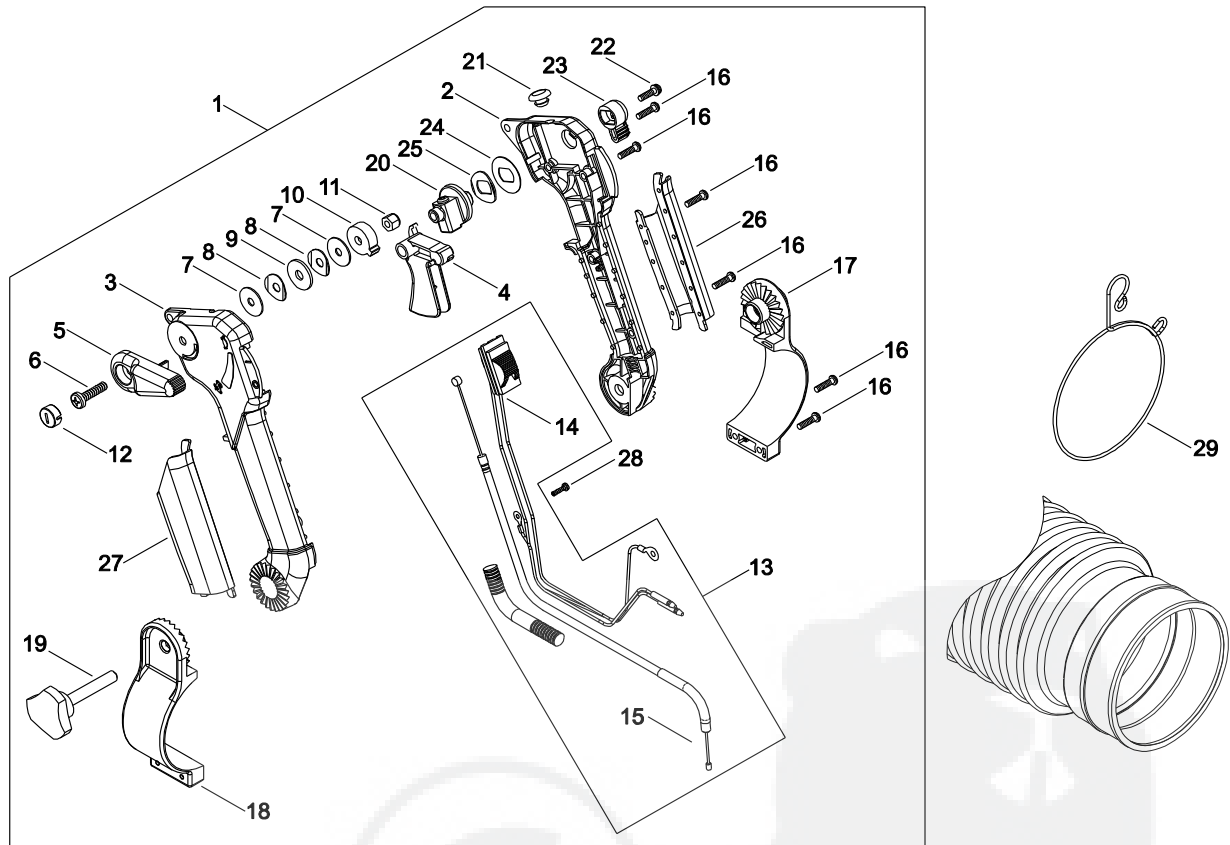
KEY	LV	PART NUMBER	Q'TY	DESCRIPTION	REMARKS	NOTE1	NOTE2
1		A038-000651	1	TANK ASY, FUEL			
2	+	A350-001781	1	TANK,FUEL			
3	+	P021-014060	1	CAP ,FUER ASSY			
4	++	131016-55830	1	GASKET, FUEL CAP			
5	++	131051-56030	1	CLIP, FUEL CAP	100L		
6	+	V470-000890	1	GROMMET			
7	+	V471-002410	1	FUEL PIPE			
8	+	A369-000001	1	STRAINER, FUEL	125-528		
9	+	V490-000500	3	CLIP			
10	+	131300-56431	1	VENT ASSEMBLY, FUEL			
11	+	V471-003070	1	PIPE			
12	+	V471-003060	1	PIPE			
13	+	V186-000210	1	JOINT			
14		V490-000500	1	CLIP			
15		V490-000510	1	CLIP			

13. BACKPACK HARNESS



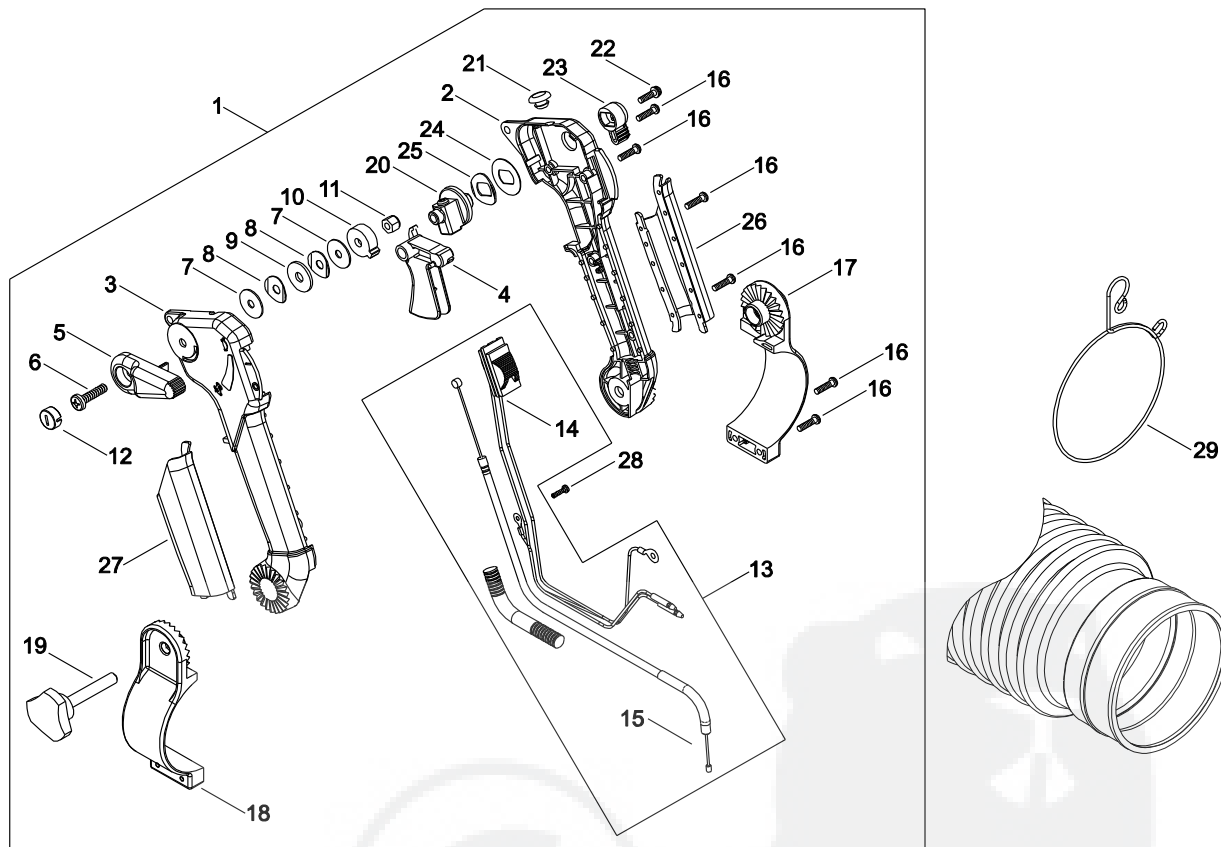
KEY	LV	PART NUMBER	Q'TY	DESCRIPTION	REMARKS	NOTE1	NOTE2
1		C620-000352	1	FRAME, BACKPACK			
2		C630-000090	1	PAD			
3		V491-000260	8	CLIP			
4		C640-000031	1	HARNESS, BACKPACK			
5		C640-000041	1	HARNESS, BACKPACK			
6		C642-000010	2	BAND			
7		V491-000040	2	CLIP			
8		A392-000150	1	BAND, FUEL TANK			
9		91113-05016	4	BOLT	CM-5*16 SW,W		
10		V279-000030	4	NUT,T			
11		V376-001730	2	SPACER	T1.6		

14. THROTTLE LEVER



KEY	LV	PART NUMBER	QTY	DESCRIPTION	REMARKS	NOTE1	NOTE2
1		C044-000322	1	CONTROL, THROTTLE			
2	+	P022-039430	1	HANDLE, FRONT			
3	+	P022-039440	1	HANDLE, FRONT			
4	+	C450-000450	1	THROTTLE LEVER			
5	+	C453-000320	1	LOCK LEVER			
6	+	V204-000260	1	ADJUST BOLT			
7	+	V304-000110	2	WASHER			
8	+	V453-000110	2	ADJ SPRING			
9	+	V304-000120	1	WASHER			
10	+	C472-000070	1	PLATE			
11	+	V264-000080	1	NYLON NUT			
12	+	V162-000330	1	RUBBER CAP			
13	+	P022-039450	1	CABLE ASY, CONTROL			
14	++	P022-039460	1	SWITCH, ON OFF			
15	++	P022-039470	1	CABLE, BOWDEN			
16	+	V252-000360	6	SCREW TAPPING			
17	+	P022-039480	1	BRACKET, HANDLE			
18	+	P022-039490	1	BRACKET, HANDLE			
19	+	V299-000330	1	KNOB BOLT			
20	+	C457-000010	1	ADJUSTER ASSY			
21	+	V162-000340	1	PLUG			
22	+	P022-019940	1	SCREW TAPPING	W,SW		
23	+	C453-000330	1	SUB LEVER			
24	+	V345-000010	1	WASHER			
25	+	V453-000120	1	ADJ SPRING			

14. THROTTLE LEVER



KEY	LV	PART NUMBER	QTY	DESCRIPTION	REMARKS	NOTE1	NOTE2
26	+	P022-039500	1	GRIP, HANDLE			
27	+	P022-039510	1	GRIP, HANDLE			
28	+	P022-039520	1	SCREW			
29		V490-000490	1	CLAMP			

Index

Patrs Number	Key No.	Patrs Number	Key No.	Patrs Number	Key No.
123110-05560	10 - 23	94000-36303	4 - 5	C450-000450	14 - 4
123112-40630	10 - 14	A011-000690	5 - 7	C453-000320	14 - 5
123122-05560	10 - 5	A021-002050	2 - 12	C453-000330	14 - 23
123123-03930	10 - 8	A021-002050	10 - 1	C457-000010	14 - 20
123125-40630	10 - 15	A024-000030	2 - 4	C472-000070	14 - 10
123126-10631	10 - 3	A030-000101	3 - 1	C589-000750	4 - 18
123137-19830	10 - 4	A038-000651	12 - 1	C589-000760	4 - 19
123138-03930	10 - 7	A051-001531	9 - 1	C620-000352	13 - 1
123139-05560	10 - 6	A101-000280	5 - 3	C630-000090	13 - 2
123140-05560	10 - 13	A127-000260	4 - 10	C640-000031	13 - 4
123142-05560	10 - 10	A130-001100	2 - 1	C640-000041	13 - 5
123143-12110	10 - 22	A137-000010	1 - 5	C642-000010	13 - 6
123149-54230	10 - 24	A161-000100	6 - 16	E100-000170	6 - 18
123153-56430	10 - 26	A190-001041	4 - 13	E103-000872	6 - 4
123161-56430	10 - 25	A200-000420	2 - 7	E103-000883	6 - 1
123172-45130	10 - 19	A209-000230	2 - 8	E104-000171	6 - 15
123173-07930	10 - 18	A226-000530	11 - 9	E140-000090	11 - 4
123179-05560	10 - 2	A226-000540	11 - 10	E160-000161	7 - 1
123180-05560	10 - 9	A235-000000	11 - 12	E164-000120	7 - 3
123181-40630	10 - 11	A242-000120	11 - 3	E165-000510	7 - 4
123183-40630	10 - 17	A243-000250	11 - 2	E165-000520	7 - 5
131016-55830	12 - 4	A244-000110	11 - 8	E165-000530	7 - 8
131051-56030	12 - 5	A310-000160	3 - 2	E165-000540	7 - 9
131300-56431	12 - 10	A313-001211	3 - 3	G365-000020	8 - 13
900105-05014	1 - 30	A322-000090	4 - 16	P003-000640	10 - 16
900105-05016	1 - 7	A350-001781	12 - 2	P003-001400	10 - 20
900105-05022	1 - 2	A369-000001	12 - 8	P003-001850	10 - 12
900105-05030	4 - 8	A392-000150	13 - 8	P003-002590	10 - 21
900105-06016	3 - 8	A409-000460	8 - 1	P021-014060	12 - 3
900105-06025	2 - 3	A411-001140	8 - 4	P021-029540	5 - 1
900330-40080	2 - 11	A425-000040	8 - 12	P021-029630	1 - 1
900330-40080	4 - 7	A426-000040	8 - 8	P021-029640	4 - 1
900342-40008	4 - 15	A427-000050	8 - 7	P021-029650	4 - 4
900503-00008	9 - 12	A429-000080	4 - 14	P021-035390	4 - 12
900600-00006	3 - 9	A520-000110	9 - 11	P021-035401	11 - 11
900602-00005	1 - 31	A603-000020	1 - 20	P021-039420	11 - 1
900602-00005	11 - 15	A603-000030	1 - 21	P022-019940	14 - 22
900603-00005	6 - 17	A604-000000	1 - 22	P022-039340	9 - 2
900605-00006	11 - 5	A605-000010	1 - 25	P022-039350	9 - 3
900800-36001	1 - 11	A606-000030	1 - 23	P022-039360	9 - 4
91109-05070	11 - 14	A610-000010	1 - 13	P022-039370	9 - 5
91109-06035	3 - 7	A610-000020	1 - 14	P022-039380	9 - 6
91113-05016	4 - 17	A610-000030	1 - 15	P022-039390	9 - 7
91113-05016	13 - 9	A610-000040	1 - 16	P022-039400	9 - 8
91113-06035	6 - 19	A613-000000	1 - 18	P022-039410	9 - 9
91122-05016	6 - 8	A613-000000	1 - 18	P022-039420	9 - 10
91338-05008	3 - 4	A621-000000	1 - 9	P022-039430	14 - 2
91449-05014	6 - 11	A621-000010	1 - 10	P022-039440	14 - 3
91461-04014	2 - 6	C044-000322	14 - 1	P022-039450	14 - 13

Index

Patrs Number	Key No.	Patrs Number	Key No.	Patrs Number	Key No.
P022-039460	14 - 14	V345-000010	14 - 24		
P022-039470	14 - 15	V347-000030	11 - 7		
P022-039480	14 - 17	V376-001730	13 - 11		
P022-039490	14 - 18	V381-000030	1 - 29		
P022-039500	14 - 26	V381-000030	8 - 2		
P022-039510	14 - 27	V393-000000	1 - 24		
P022-039520	14 - 28	V401-000190	6 - 5		
V100-000330	2 - 2	V402-000070	6 - 2		
V101-000000	1 - 3	V453-000110	14 - 8		
V103-000630	2 - 9	V453-000120	14 - 25		
V103-000650	2 - 13	V470-000890	12 - 6		
V104-001070	3 - 5	V471-002410	12 - 7		
V104-001080	3 - 6	V471-003060	12 - 12		
V109-000070	1 - 6	V471-003070	12 - 11		
V109-000080	2 - 5	V475-004430	8 - 6		
V144-000220	8 - 5	V485-001350	8 - 10		
V144-000250	6 - 20	V485-001360	8 - 9		
V162-000330	14 - 12	V485-002181	4 - 21		
V162-000340	14 - 21	V490-000480	6 - 10		
V176-000070	1 - 27	V490-000490	14 - 29		
V176-000080	1 - 28	V490-000500	12 - 9		
V186-000210	12 - 13	V490-000500	12 - 14		
V196-000110	1 - 26	V490-000510	12 - 15		
V202-000190	4 - 11	V491-000040	13 - 7		
V202-000190	8 - 11	V491-000260	13 - 3		
V203-000351	9 - 13	V495-001290	7 - 6		
V203-000351	11 - 16	V495-001300	7 - 7		
V203-000440	6 - 6	V505-000020	1 - 12		
V203-000450	6 - 12	V508-000040	4 - 3		
V203-000480	2 - 10	V508-000040	4 - 6		
V203-000490	6 - 13	V557-000030	5 - 6		
V203-000701	4 - 20	V580-000060	5 - 5		
V204-000260	14 - 6	V581-000170	7 - 2		
V204-000370	4 - 9	V592-000290	4 - 2		
V204-000400	1 - 4	V610-000010	5 - 4		
V252-000360	14 - 16	V624-000060	1 - 19		
V263-000110	6 - 14	X504-006750	9 - 14		
V263-000230	1 - 17	X505-002080	7 - 10		
V263-000230	1 - 17	X505-002310	4 - 24		
V264-000080	14 - 11	X505-002820	7 - 11		
V264-000090	6 - 3	X543-003530	4 - 22		
V264-000110	11 - 6	X602-000160	9 - 15		
V265-000140	8 - 3	X605-000070	9 - 17		
V279-000030	13 - 10	X605-000100	9 - 16		
V299-000330	14 - 19	X705-000130	9 - 18		
V303-000130	6 - 7				
V303-000370	6 - 9				
V304-000110	14 - 7				
V304-000120	14 - 9				

YAMABIKO CORPORATION

7-2 SUEHIROCHO 1-CHOME, OHME, TOKYO 198-8760, JAPAN
PHONE: 81-428-32-6118. FAX: 81-428-32-6145.



-14D
No. 03-395