

shindaiwa[®]

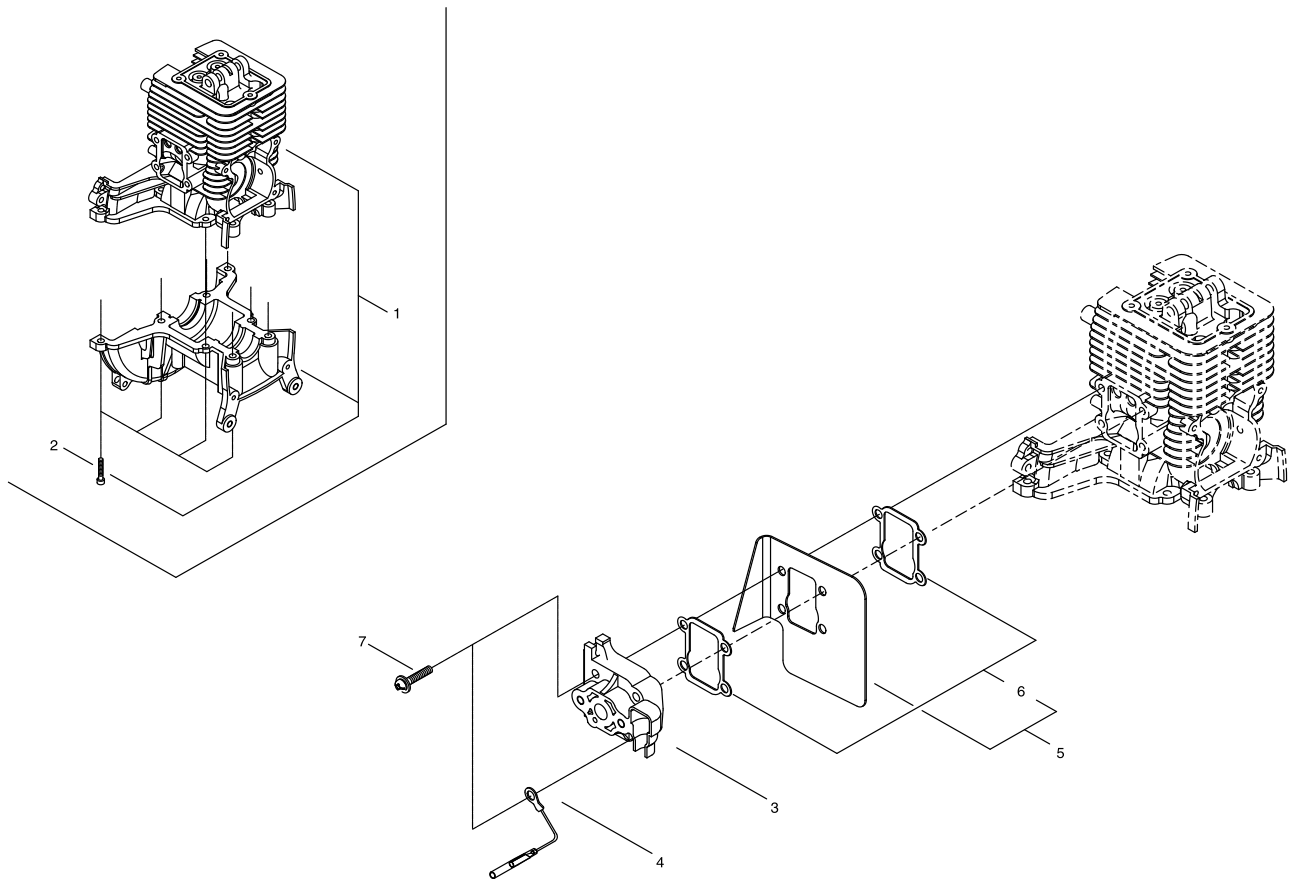
PARTS CATALOG

**BLOWER
EB3410(37)**

37000001 -

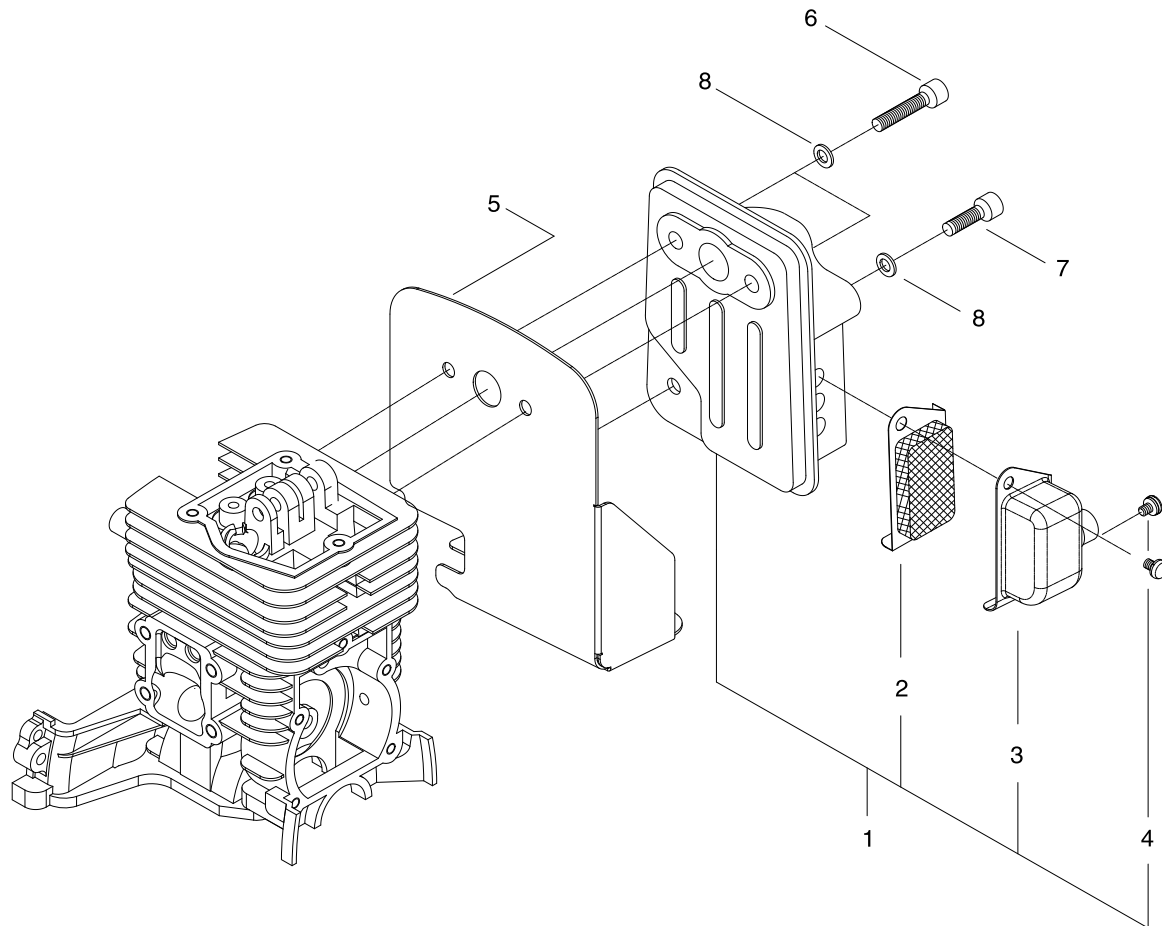
P016-000570-11Hb

1. CYLINDER, CRANKCASE



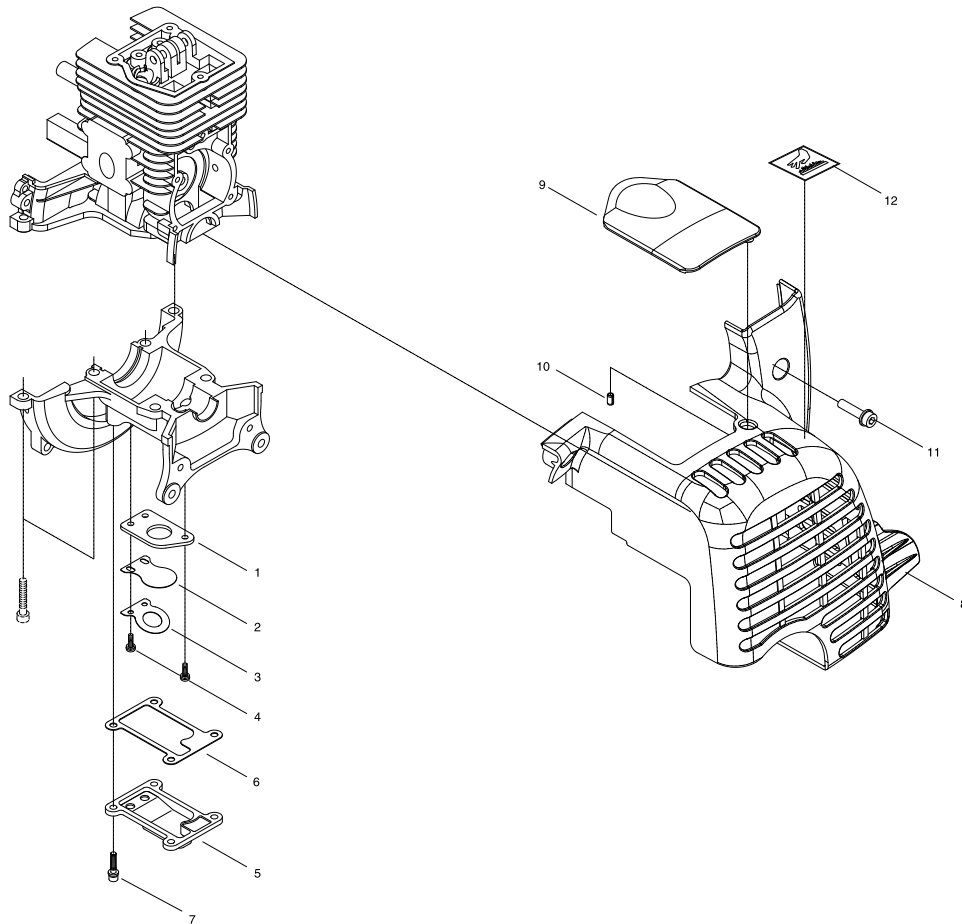
| KEY | LV | PART NUMBER | Q'TY | DESCRIPTION | REMARKS | NOTE1 | NOTE2 |
|-----|----|--------------|------|--------------------|---------|-------|-------|
| 1 | | P021-035630 | 1 | CYLINDER BLOCK SET | | | |
| 2 | + | 900105-05016 | 8 | BOLT, H.S. 5*16 | 5*16 | | |
| 3 | | A024-000020 | 1 | LEAD VALVE | | | |
| 4 | | V485-001260 | 1 | LEAD WIRE | L110 | | |
| 5 | | A209-000200 | 1 | BAFFLE PLATE COMP | | | |
| 6 | + | V103-001130 | 2 | GASKET | | | |
| 7 | | 91582-05025 | 4 | SCREW, PM-SPW | | | |

2. MUFFLER



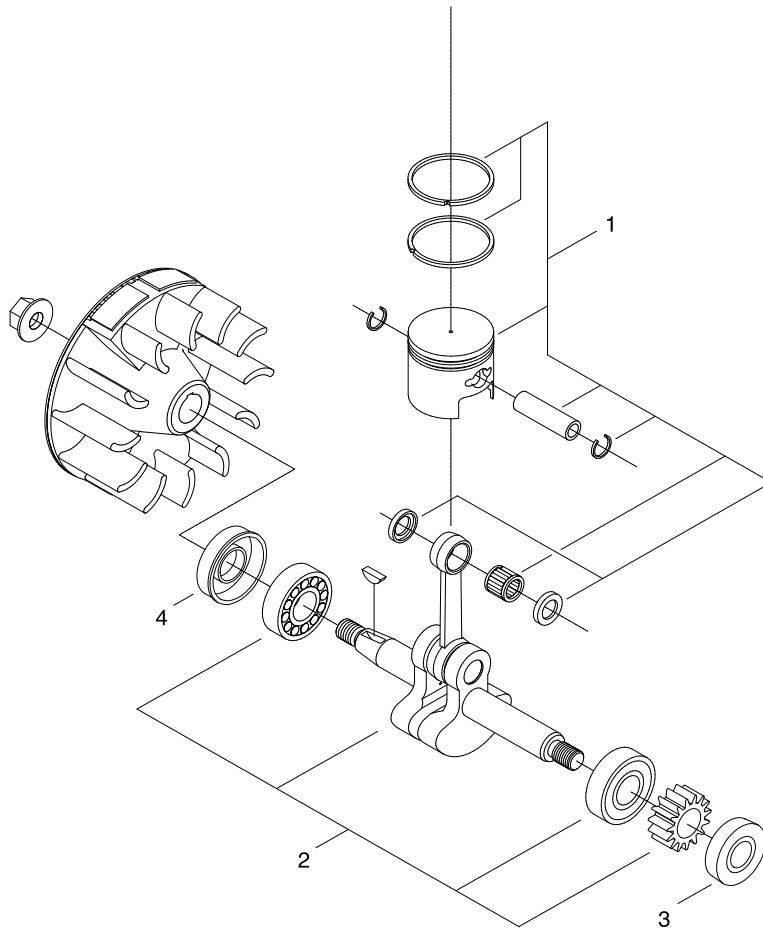
| KEY | LV | PART NUMBER | Q'TY | DESCRIPTION | REMARKS | NOTE1 | NOTE2 |
|-----|----|--------------|------|------------------|---------|-------|-------|
| 1 | | A030-000041 | 1 | MUFFLER ASY | | | |
| 2 | + | A310-000390 | 1 | SCREEN, ARRESTOR | | | |
| 3 | + | A313-001141 | 1 | GUIDE, EXHAUST | | | |
| 4 | + | 91572-04006 | 2 | SCREW, PM-SW | | | |
| 5 | | V104-001001 | 1 | GASKET, EXHAUST | | | |
| 6 | | V203-001000 | 2 | BOLT | | | |
| 7 | | 900105-05016 | 1 | BOLT, H.S. 5*16 | 5*16 | | |
| 8 | | 900600-00005 | 3 | WASHER 5 | 5 | | |

3. CYLINDER COVER



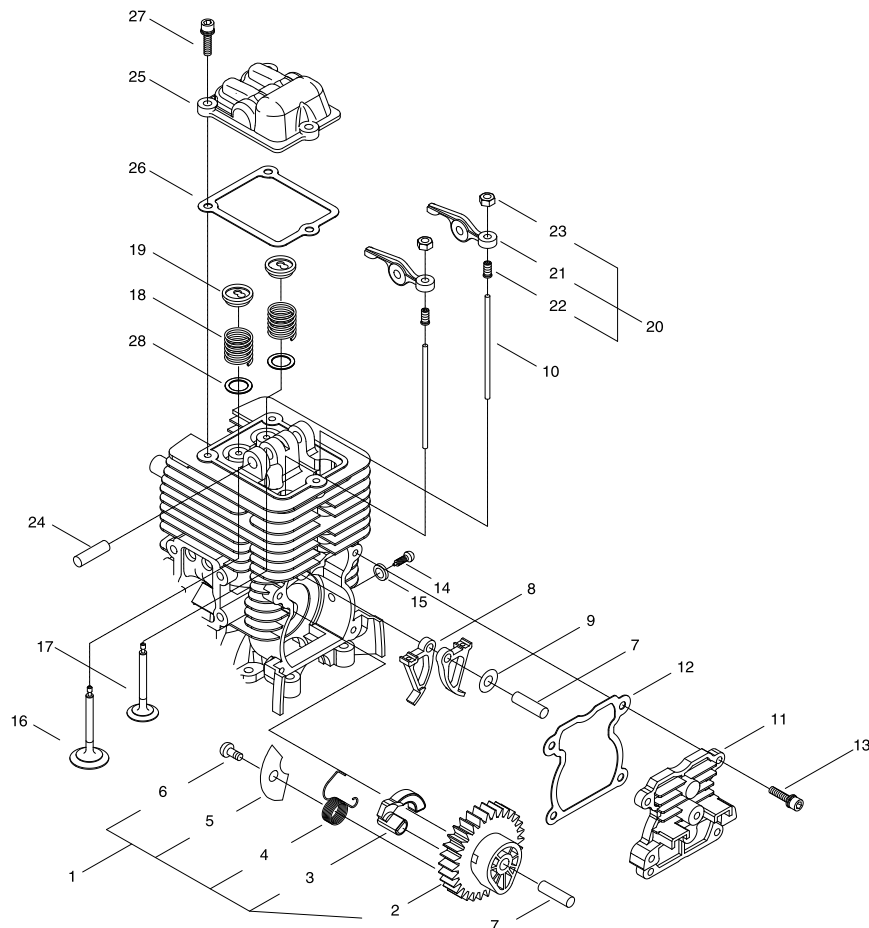
| KEY | LV | PART NUMBER | Q'TY | DESCRIPTION | REMARKS | NOTE1 | NOTE2 |
|-----|----|--------------|------|-----------------|-------------|-------|-------|
| 1 | | A200-000750 | 1 | INSULATOR | | | |
| 2 | | A211-000030 | 1 | VALVE, REED | | | |
| 3 | | A212-000040 | 1 | STOPPER | | | |
| 4 | | 91341-03010 | 3 | SCREW-SW | M3*10 | | |
| 5 | | A123-000000 | 1 | COVER | | | |
| 6 | | V109-000100 | 1 | GASKET | | | |
| 7 | | V202-000350 | 4 | BOLT-SPW | M4-14 | | |
| 8 | | A190-001021 | 1 | COVER, ENGINE | | | |
| 9 | | A429-000080 | 1 | GROMMET | | | |
| 10 | | 900342-40008 | 1 | PIN, SPRING 4*8 | 4*8 | | |
| 11 | | V203-000450 | 3 | BOLT PC | | | |
| 12 | | X505-002310 | 1 | LABEL, CAUTION | HOT CAUTION | | |

4. PISTON, CRANKSHAFT



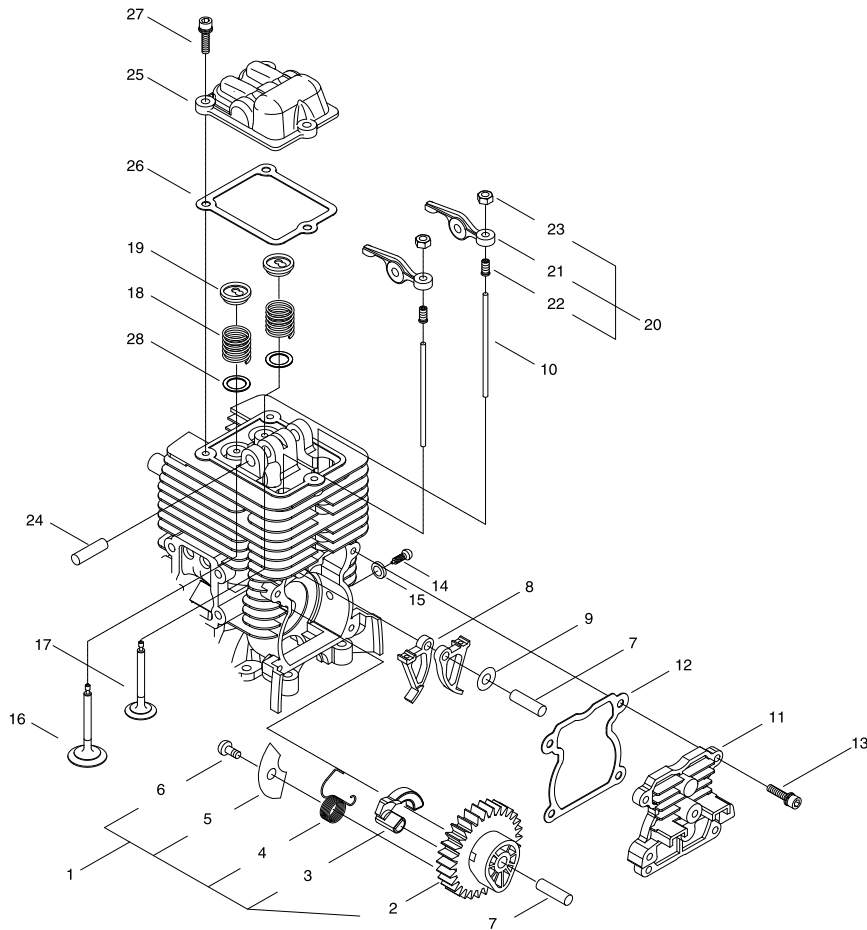
| KEY | LV | PART NUMBER | Q'TY | DESCRIPTION | REMARKS | NOTE1 | NOTE2 |
|-----|----|-------------|------|----------------|---------|-------|-------|
| 1 | | P021-033972 | 1 | PISTON SET | | | |
| 2 | | A011-000651 | 1 | CRANKSHAFT,ASY | | | |
| 3 | | V505-000020 | 1 | SEAL,OIL 12 | 12*22*7 | | |
| 4 | | V505-000060 | 1 | OIL SEAL | | | |

5. VALVE



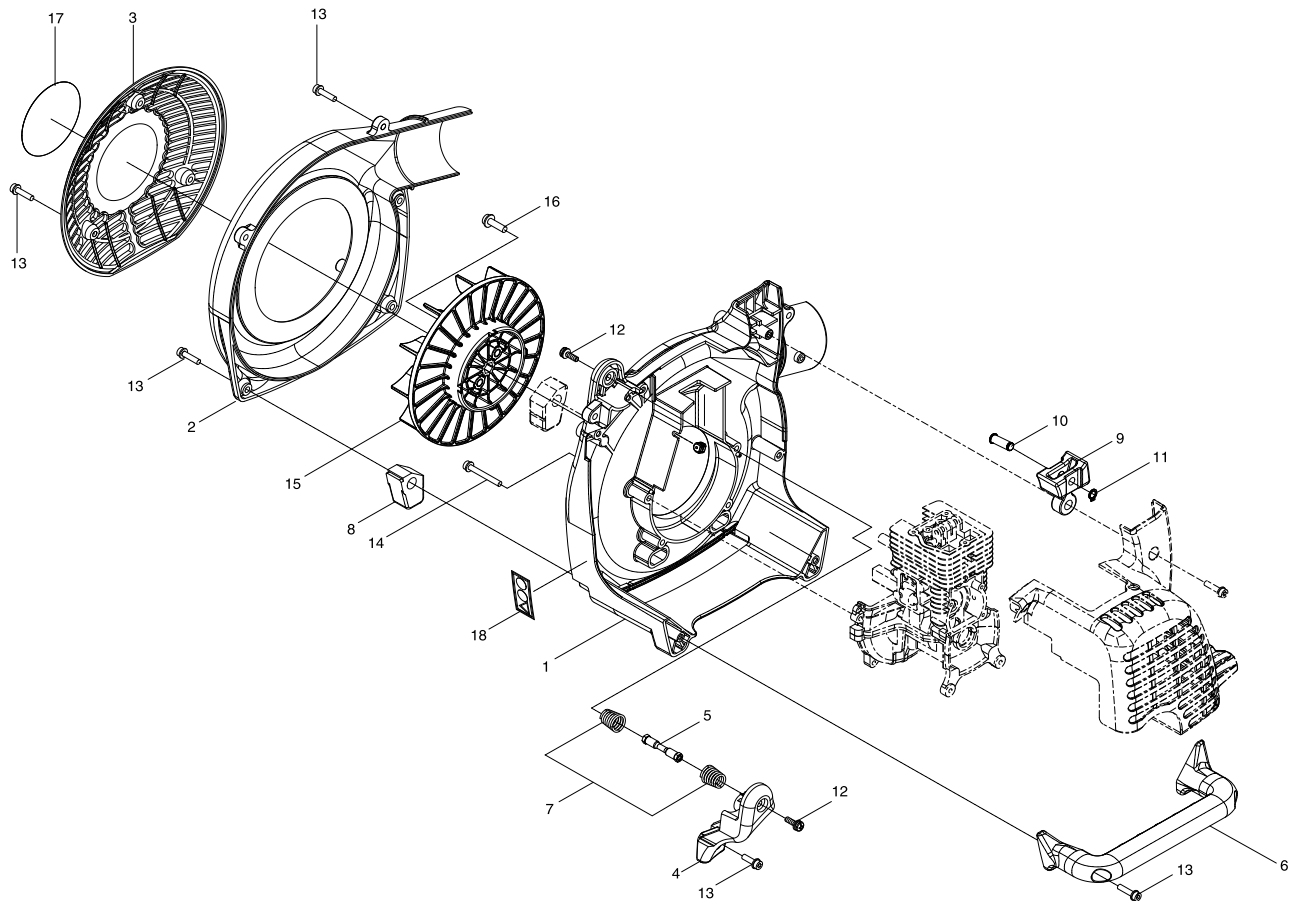
| KEY | LV | PART NUMBER | Q'TY | DESCRIPTION | REMARKS | NOTE1 | NOTE2 |
|-----|----|-------------|------|------------------|------------|-------|-------|
| 1 | | A063-000000 | 1 | CAM GEAR ASSY | | | |
| 2 | + | A622-000000 | 1 | CAM GEAR | | | |
| 3 | + | A146-000000 | 1 | WEIGHT | | | |
| 4 | + | V452-000610 | 1 | COIL SPRING | | | |
| 5 | + | C603-000240 | 1 | PLATE | | | |
| 6 | + | 91449-04006 | 1 | SCREW, TAPPING | | | |
| 7 | | V623-000030 | 2 | ROLLER | 5*L29.8 | | |
| 8 | | A600-000001 | 2 | LIFTER | | | |
| 9 | | V303-000220 | 1 | WASHER | T0.3 | | |
| 10 | | A607-000000 | 2 | PUSH ROD | | | |
| 11 | | A136-000000 | 1 | CAM GEAR COVER | | | |
| 12 | | V109-000040 | 1 | GASKET | | | |
| 13 | | V202-000350 | 4 | BOLT-SPW | M4-14 | | |
| 14 | | V253-000540 | 1 | SCREW | | | |
| 15 | | V303-000120 | 1 | COLLAR | 5.5,10 T=2 | | |
| 16 | | A603-000000 | 1 | INTAKE VALVE | | | |
| 17 | | A603-000010 | 1 | EXHAUST VALVE | | | |
| 18 | | A604-000010 | 2 | VALVE SPRING | | | |
| 19 | | A606-000040 | 2 | RETAINER | | | |
| 20 | | A610-000050 | 2 | ROCKER ARM ASSY | | | |
| 21 | + | A610-000060 | 2 | ROCKER ARM | | | |
| 22 | + | A613-000010 | 2 | ADJUST SCREW | | | |
| 23 | + | V263-000230 | 2 | NUT | | | |
| 24 | | V623-000010 | 1 | ROLLER | 5*L37.8 | | |
| 25 | | A137-000000 | 1 | ROCKER ARM COVER | | | |
| 26 | | V109-000050 | 1 | GASKET | | | |

5. VALVE



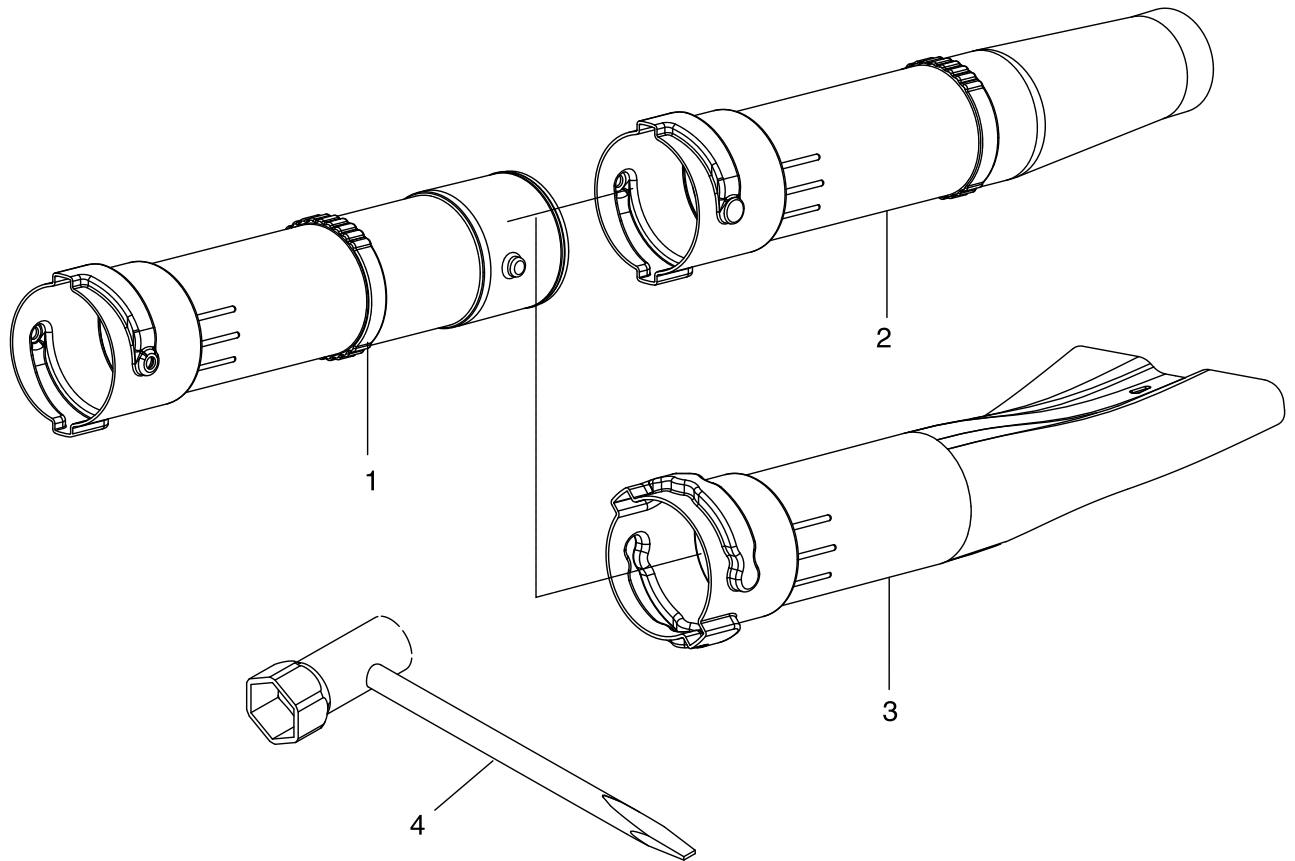
| KEY | LV | PART NUMBER | Q'TY | DESCRIPTION | REMARKS | NOTE1 | NOTE2 |
|-----|----|-------------|------|-------------|---------|-------|-------|
| 27 | | V202-000350 | 3 | BOLT-SPW | M4-14 | | |
| 28 | | V392-000030 | 2 | PLATE | | | |

6. FAN CASE



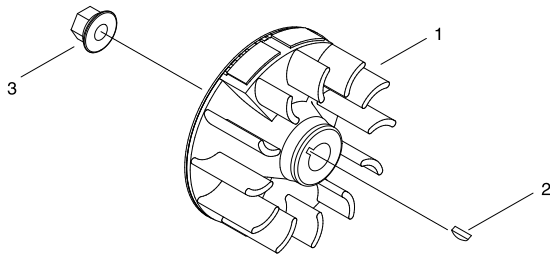
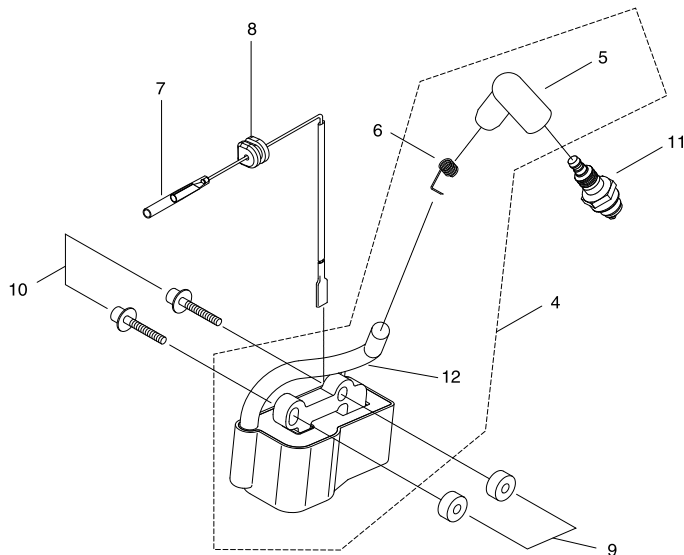
| KEY | LV | PART NUMBER | Q'TY | DESCRIPTION | REMARKS | NOTE1 | NOTE2 |
|-----|----|-------------|------|-----------------|----------------------|-------|-------|
| 1 | | E103-000950 | 1 | CASE,FAN | | | |
| 2 | | E103-001040 | 1 | CASE,FAN | | | |
| 3 | | E104-000150 | 1 | INTAKECOVER | | | |
| 4 | | C411-000150 | 1 | LID,HANDLE | | | |
| 5 | | V263-000100 | 1 | NUT | | | |
| 6 | | C410-000620 | 1 | HANDLE | | | |
| 7 | | V450-000820 | 2 | COIL SPRING | | | |
| 8 | | V420-002140 | 2 | CUSHION | | | |
| 9 | | V420-002150 | 1 | CUSHION | | | |
| 10 | | C226-000050 | 1 | PIN | | | |
| 11 | | 92423-08000 | 1 | SNAP RING | | | |
| 12 | | V253-000250 | 2 | SCREW ADHEISIVE | | | |
| 13 | | V203-000450 | 12 | BOLT PC | | | |
| 14 | | V203-000530 | 4 | BOLT SW | | | |
| 15 | | E100-000130 | 1 | FAN | | | |
| 16 | | V204-000270 | 2 | BOLT SPW | | | |
| 17 | | X543-003520 | 1 | LABEL,MODEL | SHINDAIWA, EB3410 | | |
| 18 | | X505-002730 | 1 | LABEL CAUTION | | | |

7. PIPE, ACCESSORIES



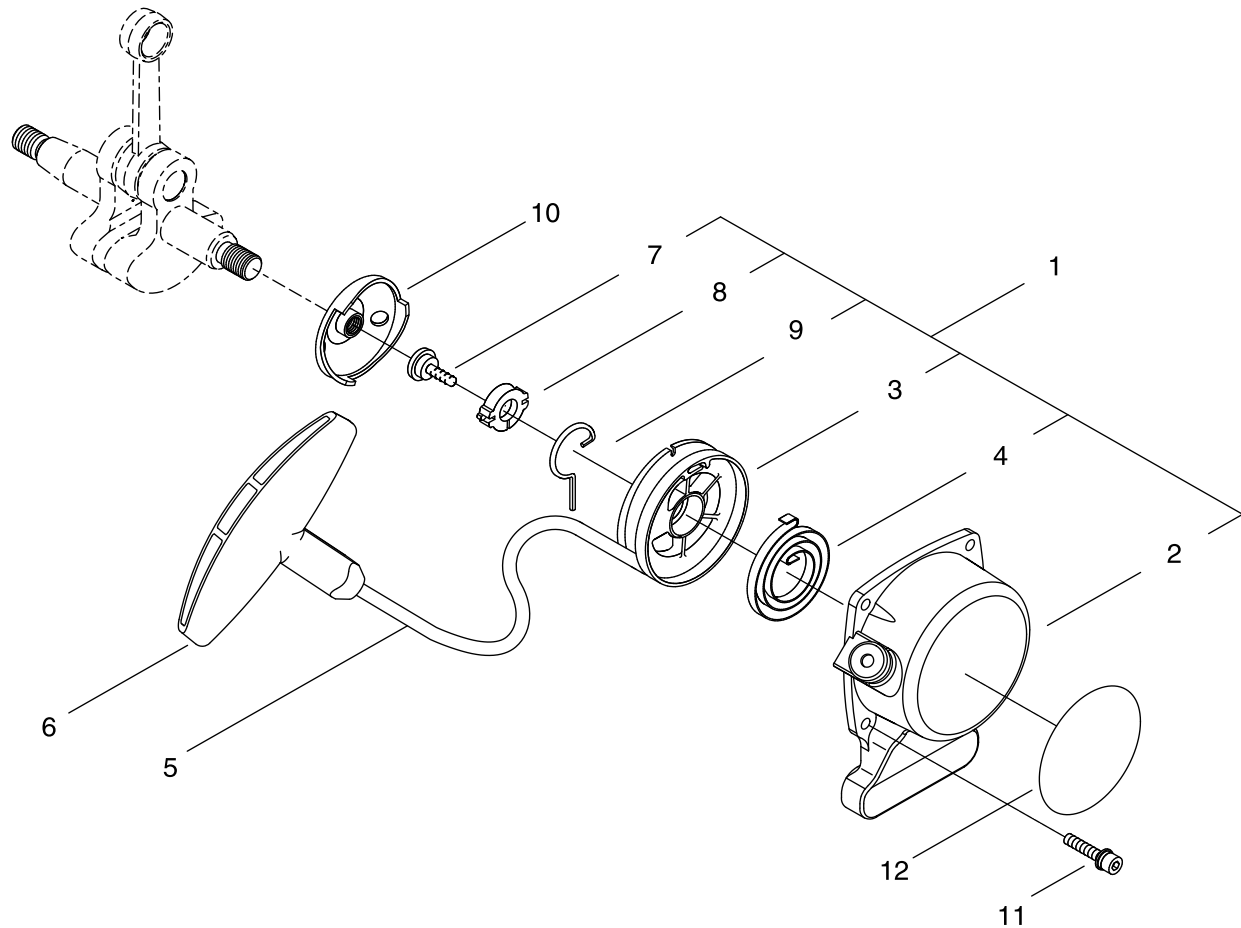
| KEY | LV | PART NUMBER | Q'TY | DESCRIPTION | REMARKS | NOTE1 | NOTE2 |
|-----|----|-------------|------|-------------|---------|-------|-------|
| 1 | | E165-000420 | 1 | PIPE | | | |
| 2 | | E165-000430 | 1 | NOZZLE | | | |
| 3 | | E165-000440 | 1 | NOZZLE | | | |
| 4 | | X602-000100 | 1 | PLUG WRENCH | | | |

8. MAGNETO



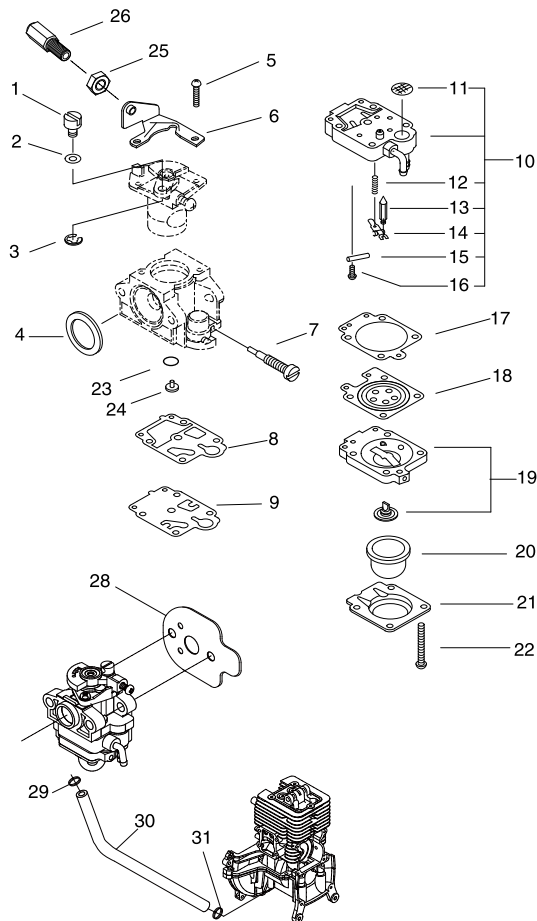
| KEY | LV | PART NUMBER | Q'TY | DESCRIPTION | REMARKS | NOTE1 | NOTE2 |
|-----|----|-------------|------|----------------|-----------|-------|-------|
| 1 | | A409-000420 | 1 | ROTOR | | | |
| 2 | | 93115-03010 | 1 | KEY | 3*10 | | |
| 3 | | V265-000140 | 1 | NUT | | | |
| 4 | | A411-001170 | 1 | COIL, IGNITION | | | |
| 5 | + | A427-000110 | 1 | PLUG CAP | | | |
| 6 | + | A426-000070 | 1 | COIL SPRING | | | |
| 12 | + | V475-005160 | 1 | TUBE | | | |
| 7 | | V485-001910 | 1 | LEAD WIRE | | | |
| 8 | | V136-000060 | 1 | GROMMET | | | |
| 9 | | V322-000040 | 2 | INSULATOR | | | |
| 10 | | V202-000360 | 2 | BOLT-SLPW | M4*26 | | |
| 11 | | A425-000040 | 1 | SPARKPLUG | NGK CMR5H | | |

9. RECOIL STARTER



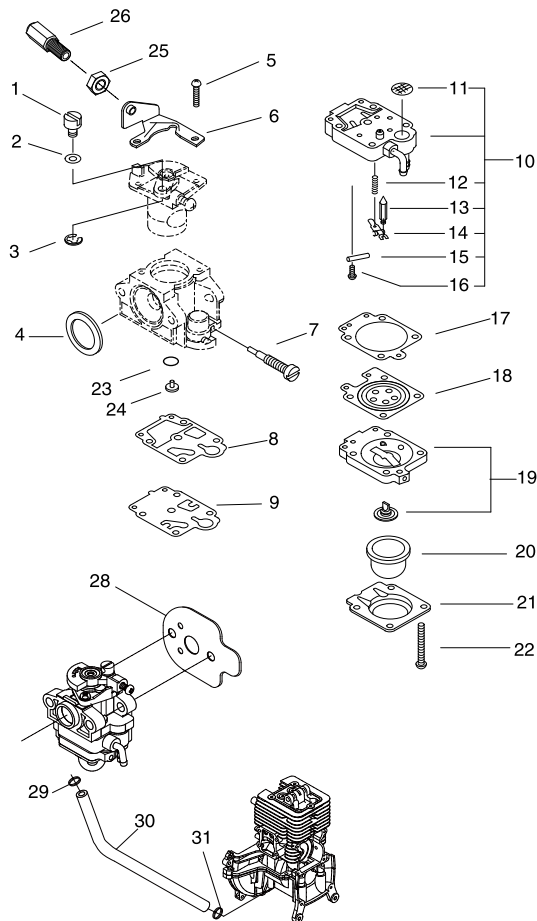
| KEY | LV | PART NUMBER | Q'TY | DESCRIPTION | REMARKS | NOTE1 | NOTE2 |
|-----|----|-------------|------|---------------------|---------|-------|-------|
| 1 | | A051-001500 | 1 | RECOIL STARTER ASSY | | | |
| 2 | + | A500-000630 | 1 | STARTER CASE | | | |
| 3 | + | A506-000140 | 1 | REEL | | | |
| 4 | + | A504-000100 | 1 | RECOIL SPRING | | | |
| 5 | + | A509-000070 | 1 | ROPE | | | |
| 6 | + | A511-000100 | 1 | KNOB | | | |
| 7 | + | V253-000310 | 1 | SCREW | | | |
| 8 | + | V353-000310 | 1 | COLLAR | | | |
| 9 | + | C810-000120 | 1 | SWING ARM | | | |
| 10 | | A052-000300 | 1 | STARTER PULLEY | | | |
| 11 | | V202-000350 | 4 | BOLT-SPW | M4-14 | | |
| 12 | | X504-006750 | 1 | LABEL BRAND | | | |

10. CARBURETOR

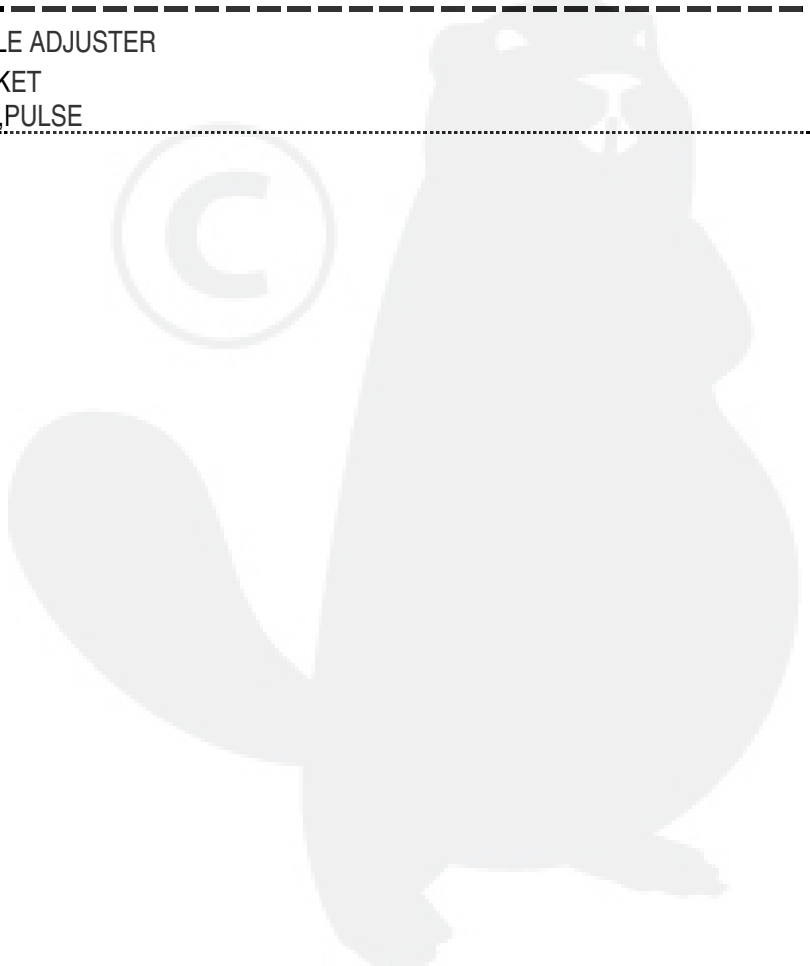


| KEY | LV | PART NUMBER | Q'TY | DESCRIPTION | REMARKS | NOTE1 | NOTE2 |
|-----|----|--------------|------|----------------------|---------|-------|-------|
| | | A021-003280 | 1 | CARBURETOR,DIAPHRAGM | | | |
| 1 | + | 123172-45130 | 1 | SWIVEL | | | |
| 2 | + | 123149-54230 | 1 | WASHER | | | |
| 3 | + | 123173-07930 | 1 | CLIP | | | |
| 4 | + | 123143-12110 | 1 | RING, PACKING | | | |
| 5 | + | 123114-40630 | 2 | SCREW | | | |
| 6 | + | 123128-54230 | 1 | BRACKET, IDLE ADJUST | | | |
| 7 | + | P003-004110 | 1 | NEEDLE | | | |
| 8 | + | P003-004100 | 1 | GASKET, PUMP | | | |
| 9 | + | 123112-40630 | 1 | DIAPHRAGM, PUMP | | | |
| 10 | + | P003-004080 | 1 | BODY ASSEMBLY, PUMP | | | |
| 11 | ++ | 123126-10631 | 1 | SCREEN, INLET | | | |
| 12 | ++ | P003-004070 | 1 | SPRING | | | |
| 13 | ++ | 123137-19830 | 1 | VALVE, INLET NEEDLE | | | |
| 14 | ++ | 123123-03930 | 1 | LEVER, METERING | | | |
| 15 | ++ | 123138-03930 | 1 | PIN, METERING LEVER | | | |
| 16 | ++ | 123139-05560 | 1 | SCREW, M. LEVER PIN | | | |
| 17 | + | P003-004090 | 1 | GASKET, M. DIAPHRAGM | | | |
| 18 | + | P003-001850 | 1 | DIAPHRAGM, METERING | | | |
| 19 | + | P003-003980 | 1 | BODY, AIR PURGE | | | |
| 20 | + | 123181-40630 | 1 | PUMP, PRIMER | | | |
| 21 | + | 123142-05560 | 1 | COVER, PRIMER PUMP | | | |
| 22 | + | 123110-05560 | 4 | SCREW, PUMP COVER | | | |
| 23 | + | 123183-40630 | 1 | O-RING | | | |
| 24 | + | P003-004120 | 1 | JET | | | |
| 25 | + | 123153-56430 | 1 | NUT, ADJUSTER | | | |

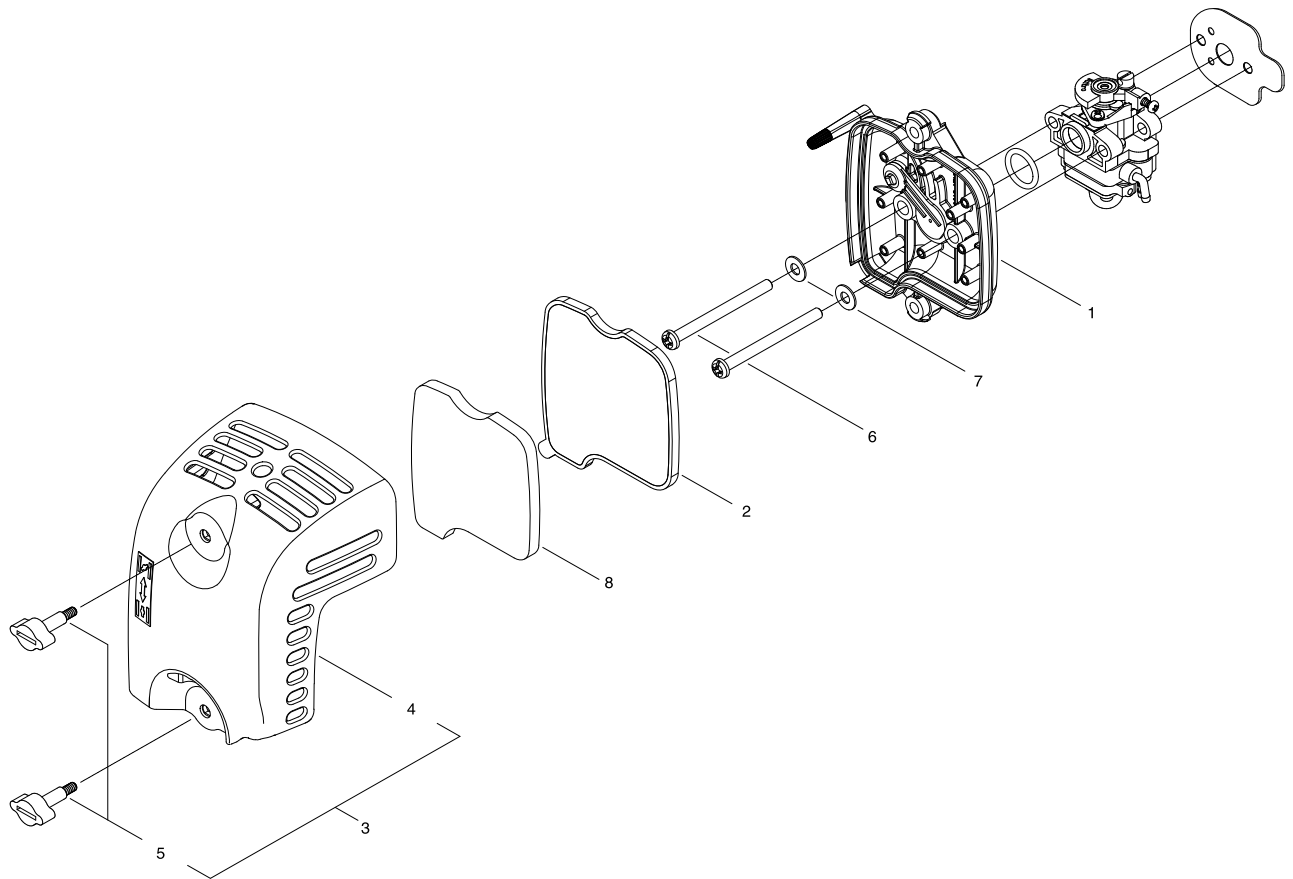
10. CARBURETOR



| KEY | LV | PART NUMBER | Q'TY | DESCRIPTION | REMARKS | NOTE1 | NOTE2 |
|-----|----|-------------|------|----------------|---------|-------|-------|
| 26 | + | P003-004140 | 1 | CABLE ADJUSTER | | | |
| 28 | | V103-000990 | 1 | GASKET | | | |
| 29 | | V490-000760 | 1 | CLIP,PULSE | | | |
| 30 | | V470-001780 | 1 | PIPE | | | |
| 31 | | V490-000500 | 1 | CLIP | | | |

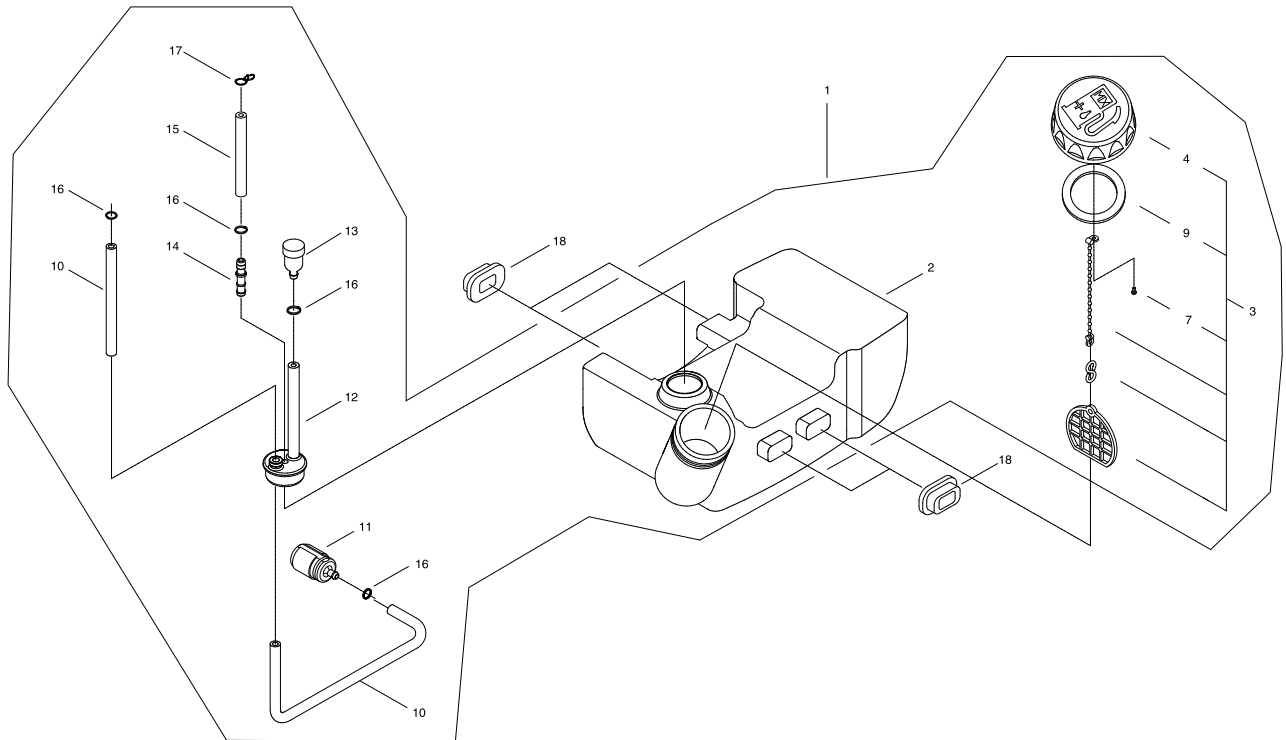


11. AIR CLEANER



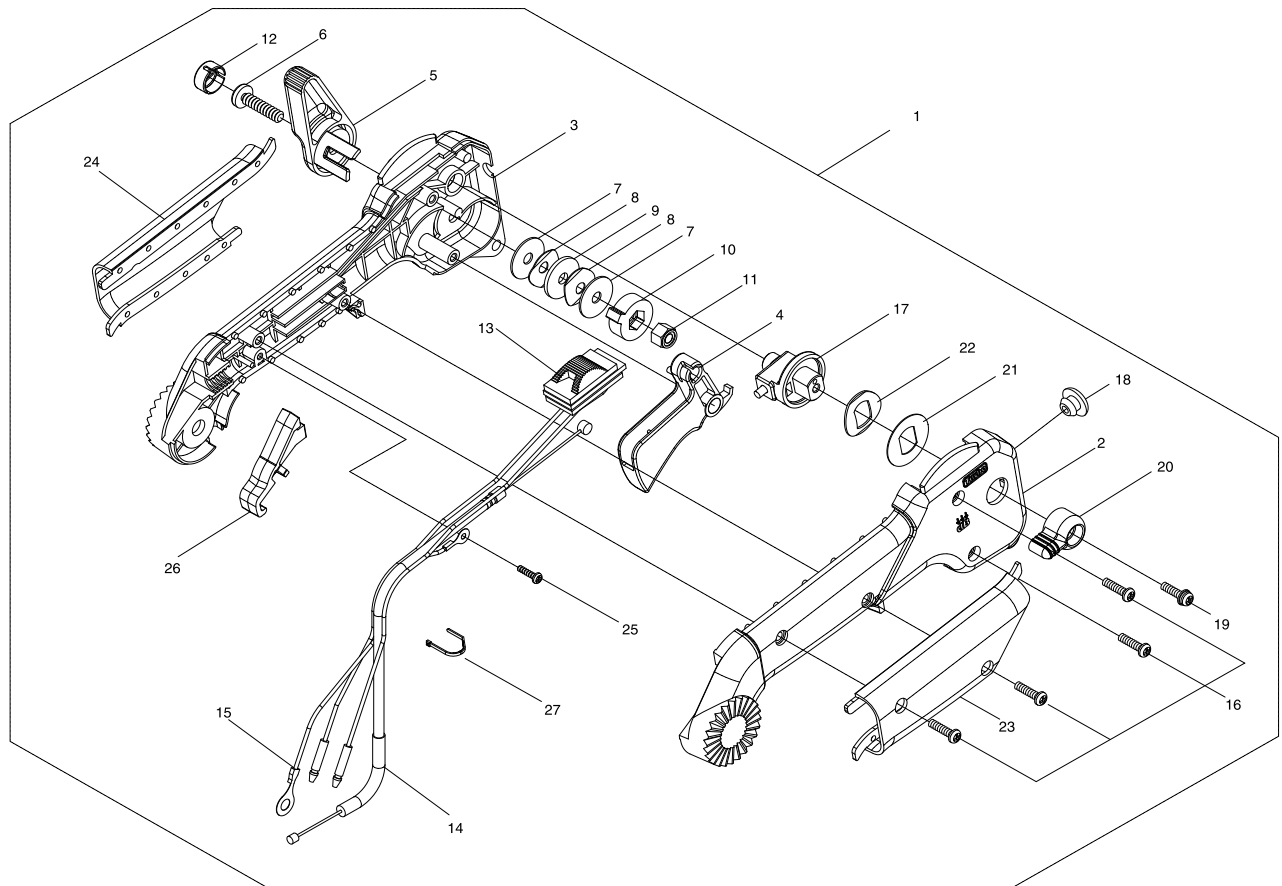
| KEY | LV | PART NUMBER | Q'TY | DESCRIPTION | REMARKS | NOTE1 | NOTE2 |
|-----|----|--------------|------|--------------------|------------|-------|-------|
| 1 | | A023-000271 | 1 | CASE,CLEANER | | | |
| 2 | | A226-000690 | 1 | FILTER | | | |
| 3 | | P021-028561 | 1 | CLEANER COVER ASSY | | | |
| 4 | + | A232-000911 | 1 | LID,CLEANER | | | |
| 5 | + | V299-000400 | 2 | KNOB | | | |
| 6 | | 91581-05060 | 2 | SCREW,PM | | | |
| 7 | | 900603-00005 | 2 | WASHER 5 | 5.5*12*0.8 | | |
| 8 | | A226-000700 | 1 | PREFILTER | | | |

12. FUEL TANK



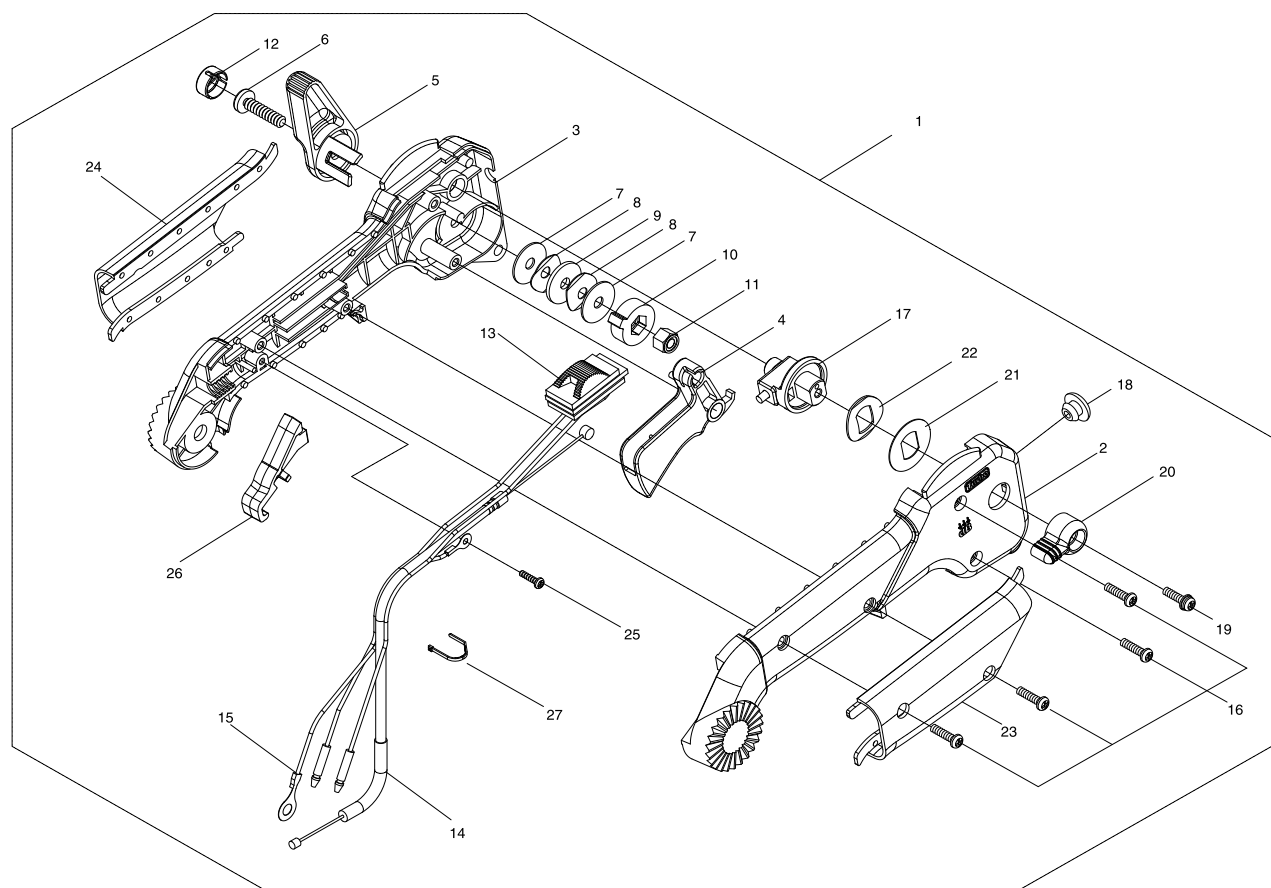
| KEY | LV | PART NUMBER | Q'TY | DESCRIPTION | REMARKS | NOTE1 | NOTE2 |
|-----|----|-------------|------|----------------|---------|-------|-------|
| 1 | | P021-028541 | 1 | FUEL TANK ASSY | | | |
| 2 | + | A350-001020 | 1 | FUEL TANK | | | |
| 3 | + | A033-000330 | 1 | CAP, FUEL | | | |
| 4 | ++ | A355-000180 | 1 | FUEL CAP | | | |
| 7 | ++ | 91483-02506 | 1 | SCREW TAPPING | | | |
| 9 | ++ | V107-000010 | 1 | GASKET | | | |
| 10 | + | V471-002350 | 1 | PIPE | | | |
| 11 | + | A369-000000 | 1 | STRAINER, FUEL | 125-528 | | |
| 12 | + | V470-000880 | 1 | GROMMET | | | |
| 13 | + | A356-000050 | 1 | VALVE, CHECK | | | |
| 14 | + | V186-000210 | 1 | JOINT | | | |
| 15 | + | V471-002520 | 1 | PIPE | | | |
| 16 | + | V490-000500 | 3 | CLIP | | | |
| 17 | + | V490-000510 | 1 | CLIP | | | |
| 18 | | V420-002220 | 4 | TANK CUSHION | | | |

13. THROTTLE LEVER

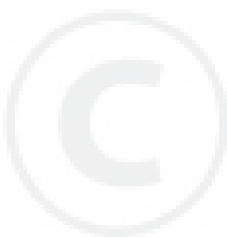


| KEY | LV | PART NUMBER | Q'TY | DESCRIPTION | REMARKS | NOTE1 | NOTE2 |
|-----|----|-------------|------|-------------------|---------|-------|-------|
| 1 | | C044-001211 | 1 | CONTROL, THROTTLE | | | |
| 2 | + | C400-000571 | 1 | HANDLE, FRONT | | | |
| 3 | + | C400-000581 | 1 | HANDLE, FRONT | | | |
| 4 | + | C450-000450 | 1 | THROTTLE LEVER | | | |
| 5 | + | C453-000320 | 1 | LOCK LEVER | | | |
| 6 | + | V204-000260 | 1 | ADJUST BOLT | | | |
| 7 | + | V304-000110 | 2 | WASHER | | | |
| 8 | + | V453-000110 | 2 | ADJ SPRING | | | |
| 9 | + | V304-000120 | 1 | WASHER | | | |
| 10 | + | C472-000070 | 1 | PLATE | | | |
| 11 | + | V264-000080 | 1 | NYLON NUT | | | |
| 12 | + | V162-000330 | 1 | RUBBER CAP | | | |
| 13 | + | A440-001330 | 1 | SWITCH | | | |
| 14 | + | V430-003440 | 1 | CABLE, BOWDEN | | | |
| 15 | + | V485-001270 | 1 | LEAD WIRE | | | |
| 16 | + | V252-000070 | 4 | SCREW | | | |
| 17 | + | C457-000010 | 1 | ADJUSTER ASSY | | | |
| 18 | + | V162-000340 | 1 | PLUG | | | |
| 19 | + | V252-000080 | 1 | SCREW | | | |
| 20 | + | C453-000330 | 1 | SUB LEVER | | | |
| 21 | + | V345-000010 | 1 | WASHER | | | |
| 22 | + | V453-000120 | 1 | ADJ SPRING | | | |
| 23 | + | C412-000240 | 1 | GRIP | | | |
| 24 | + | C412-000250 | 1 | GRIP | | | |
| 25 | + | V251-000030 | 1 | SCREW | | | |
| 26 | + | C411-000100 | 1 | COVER | | | |

13. THROTTLE LEVER



| KEY | LV | PART NUMBER | Q'TY | DESCRIPTION | REMARKS | NOTE1 | NOTE2 |
|-----|----|-------------|------|-------------|---------|-------|-------|
| | + | V495-001210 | 1 | BAND | | | |

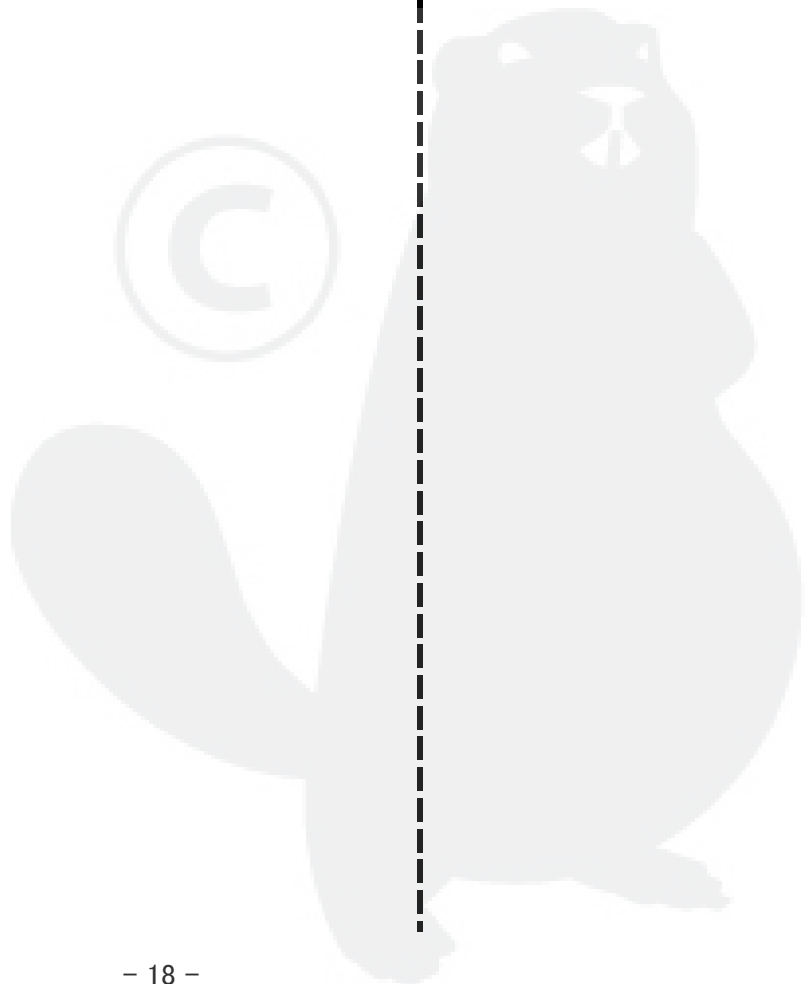
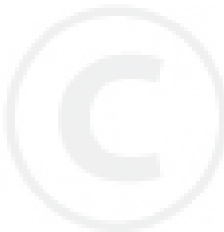


Index

| Patrs Number | Key No. | Patrs Number | Key No. | Patrs Number | Key No. |
|---------------------|----------------|---------------------|----------------|---------------------|----------------|
| 123110-05560 | 10 - 22 | A226-000700 | 11 - 8 | E104-000150 | 6 - 3 |
| 123112-40630 | 10 - 9 | A232-000911 | 11 - 4 | E165-000420 | 7 - 1 |
| 123114-40630 | 10 - 5 | A310-000390 | 2 - 2 | E165-000430 | 7 - 2 |
| 123123-03930 | 10 - 14 | A313-001141 | 2 - 3 | E165-000440 | 7 - 3 |
| 123126-10631 | 10 - 11 | A350-001020 | 12 - 2 | P003-001850 | 10 - 18 |
| 123128-54230 | 10 - 6 | A355-000180 | 12 - 4 | P003-003980 | 10 - 19 |
| 123137-19830 | 10 - 13 | A356-000050 | 12 - 13 | P003-004070 | 10 - 12 |
| 123138-03930 | 10 - 15 | A369-000000 | 12 - 11 | P003-004080 | 10 - 10 |
| 123139-05560 | 10 - 16 | A409-000420 | 8 - 1 | P003-004090 | 10 - 17 |
| 123142-05560 | 10 - 21 | A411-001170 | 8 - 4 | P003-004100 | 10 - 8 |
| 123143-12110 | 10 - 4 | A425-000040 | 8 - 11 | P003-004110 | 10 - 7 |
| 123149-54230 | 10 - 2 | A426-000070 | 8 - 6 | P003-004120 | 10 - 24 |
| 123153-56430 | 10 - 25 | A427-000110 | 8 - 5 | P003-004140 | 10 - 26 |
| 123172-45130 | 10 - 1 | A429-000080 | 3 - 9 | P021-028541 | 12 - 1 |
| 123173-07930 | 10 - 3 | A440-001330 | 13 - 13 | P021-028561 | 11 - 3 |
| 123181-40630 | 10 - 20 | A500-000630 | 9 - 2 | P021-033972 | 4 - 1 |
| 123183-40630 | 10 - 23 | A504-000100 | 9 - 4 | P021-035630 | 1 - 1 |
| 900105-05016 | 1 - 2 | A506-000140 | 9 - 3 | V103-000990 | 10 - 28 |
| 900105-05016 | 2 - 7 | A509-000070 | 9 - 5 | V103-001130 | 1 - 6 |
| 900342-40008 | 3 - 10 | A511-000100 | 9 - 6 | V104-001001 | 2 - 5 |
| 900600-00005 | 2 - 8 | A600-000001 | 5 - 8 | V107-000010 | 12 - 9 |
| 900603-00005 | 11 - 7 | A603-000000 | 5 - 16 | V109-000040 | 5 - 12 |
| 91341-03010 | 3 - 4 | A603-000010 | 5 - 17 | V109-000050 | 5 - 26 |
| 91449-04006 | 5 - 6 | A604-000010 | 5 - 18 | V109-000100 | 3 - 6 |
| 91483-02506 | 12 - 7 | A606-000040 | 5 - 19 | V136-000060 | 8 - 8 |
| 91572-04006 | 2 - 4 | A607-000000 | 5 - 10 | V162-000330 | 13 - 12 |
| 91581-05060 | 11 - 6 | A610-000050 | 5 - 20 | V162-000340 | 13 - 18 |
| 91582-05025 | 1 - 7 | A610-000060 | 5 - 21 | V186-000210 | 12 - 14 |
| 92423-08000 | 6 - 11 | A613-000010 | 5 - 22 | V202-000350 | 3 - 7 |
| 93115-03010 | 8 - 2 | A622-000000 | 5 - 2 | V202-000350 | 5 - 13 |
| A011-000651 | 4 - 2 | C044-001211 | 13 - 1 | V202-000350 | 5 - 27 |
| A021-003280 | 10 - | C226-000050 | 6 - 10 | V202-000350 | 9 - 11 |
| A023-000271 | 11 - 1 | C400-000571 | 13 - 2 | V202-000360 | 8 - 10 |
| A024-000020 | 1 - 3 | C400-000581 | 13 - 3 | V203-000450 | 3 - 11 |
| A030-000041 | 2 - 1 | C410-000620 | 6 - 6 | V203-000450 | 6 - 13 |
| A033-000330 | 12 - 3 | C411-000100 | 13 - 26 | V203-000530 | 6 - 14 |
| A051-001500 | 9 - 1 | C411-000150 | 6 - 4 | V203-001000 | 2 - 6 |
| A052-000300 | 9 - 10 | C412-000240 | 13 - 23 | V204-000260 | 13 - 6 |
| A063-000000 | 5 - 1 | C412-000250 | 13 - 24 | V204-000270 | 6 - 16 |
| A123-000000 | 3 - 5 | C450-000450 | 13 - 4 | V251-000030 | 13 - 25 |
| A136-000000 | 5 - 11 | C453-000320 | 13 - 5 | V252-000070 | 13 - 16 |
| A137-000000 | 5 - 25 | C453-000330 | 13 - 20 | V252-000080 | 13 - 19 |
| A146-000000 | 5 - 3 | C457-000010 | 13 - 17 | V253-000250 | 6 - 12 |
| A190-001021 | 3 - 8 | C472-000070 | 13 - 10 | V253-000310 | 9 - 7 |
| A200-000750 | 3 - 1 | C603-000240 | 5 - 5 | V253-000540 | 5 - 14 |
| A209-000200 | 1 - 5 | C810-000120 | 9 - 9 | V263-000100 | 6 - 5 |
| A211-000030 | 3 - 2 | E100-000130 | 6 - 15 | V263-000230 | 5 - 23 |
| A212-000040 | 3 - 3 | E103-000950 | 6 - 1 | V264-000080 | 13 - 11 |
| A226-000690 | 11 - 2 | E103-001040 | 6 - 2 | V265-000140 | 8 - 3 |

Index

| Patrs Number | Key No. | Patrs Number | Key No. | Patrs Number | Key No. |
|---------------------|----------------|---------------------|----------------|---------------------|----------------|
| V299-000400 | 11 - 5 | | | | |
| V303-000120 | 5 - 15 | | | | |
| V303-000220 | 5 - 9 | | | | |
| V304-000110 | 13 - 7 | | | | |
| V304-000120 | 13 - 9 | | | | |
| V322-000040 | 8 - 9 | | | | |
| V345-000010 | 13 - 21 | | | | |
| V353-000310 | 9 - 8 | | | | |
| V392-000030 | 5 - 28 | | | | |
| V420-002140 | 6 - 8 | | | | |
| V420-002150 | 6 - 9 | | | | |
| V420-002220 | 12 - 18 | | | | |
| V430-003440 | 13 - 14 | | | | |
| V450-000820 | 6 - 7 | | | | |
| V452-000610 | 5 - 4 | | | | |
| V453-000110 | 13 - 8 | | | | |
| V453-000120 | 13 - 22 | | | | |
| V470-000880 | 12 - 12 | | | | |
| V470-001780 | 10 - 30 | | | | |
| V471-002350 | 12 - 10 | | | | |
| V471-002520 | 12 - 15 | | | | |
| V475-005160 | 8 - 12 | | | | |
| V485-001260 | 1 - 4 | | | | |
| V485-001270 | 13 - 15 | | | | |
| V485-001910 | 8 - 7 | | | | |
| V490-000500 | 10 - 31 | | | | |
| V490-000500 | 12 - 16 | | | | |
| V490-000510 | 12 - 17 | | | | |
| V490-000760 | 10 - 29 | | | | |
| V495-001210 | 13 - 27 | | | | |
| V505-000020 | 4 - 3 | | | | |
| V505-000060 | 4 - 4 | | | | |
| V623-000010 | 5 - 24 | | | | |
| V623-000030 | 5 - 7 | | | | |
| X504-006750 | 9 - 12 | | | | |
| X505-002310 | 3 - 12 | | | | |
| X505-002730 | 6 - 18 | | | | |
| X543-003520 | 6 - 17 | | | | |
| X602-000100 | 7 - 4 | | | | |



YAMABIKO CORPORATION

7-2 SUEHIROCHO 1-CHOME, OHME, TOKYO 198-8760, JAPAN
PHONE: 81-428-32-6118. FAX: 81-428-32-6145.

shindaiwa[®]



11Hb
No. 03-393