

**shindaiwa<sup>®</sup>**

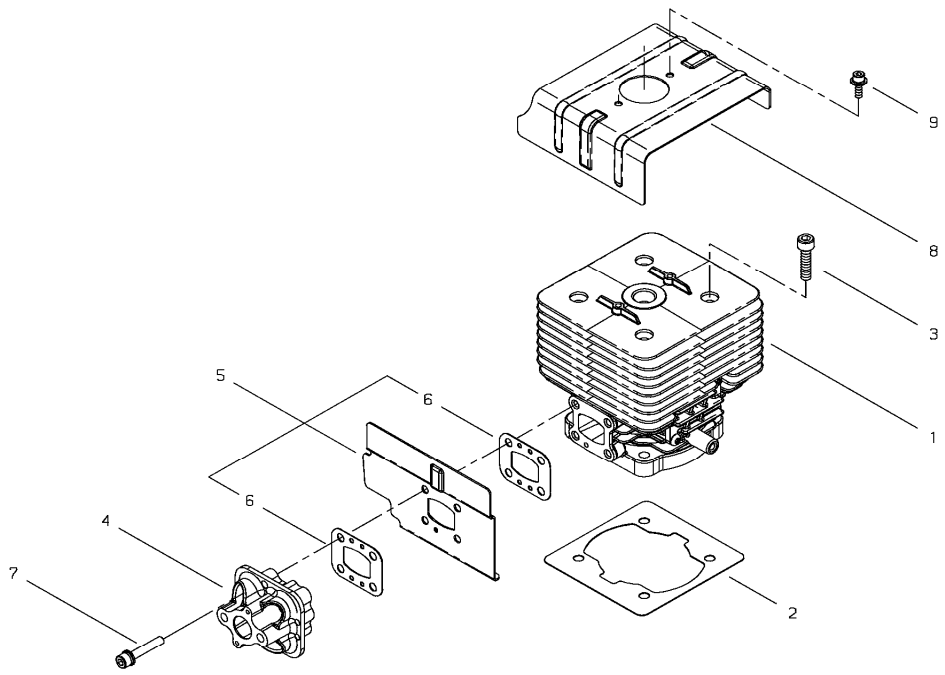
# **PARTS CATALOG**

**BLOWER  
EB802RT EPA2**



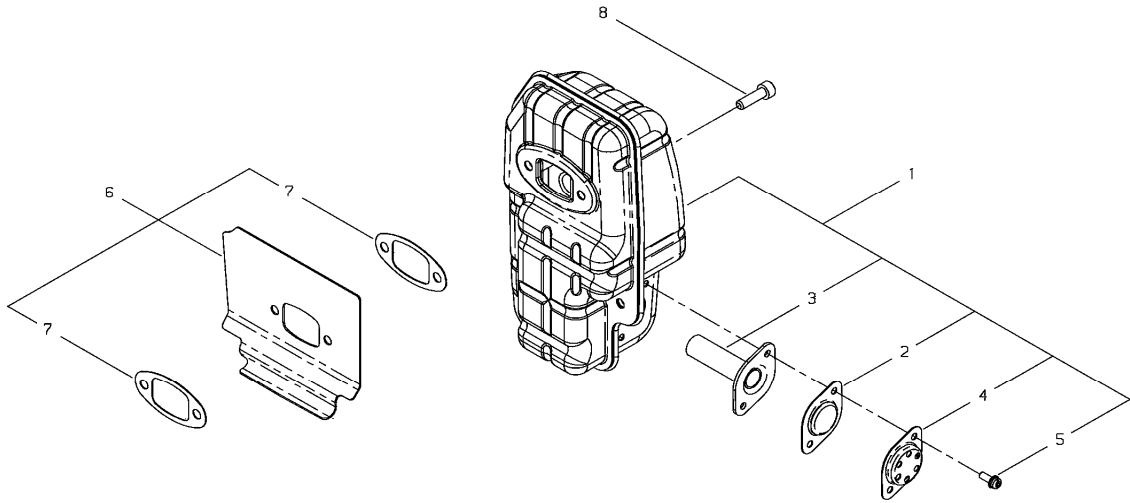
EB802RT EPA2

1. CYLINDER



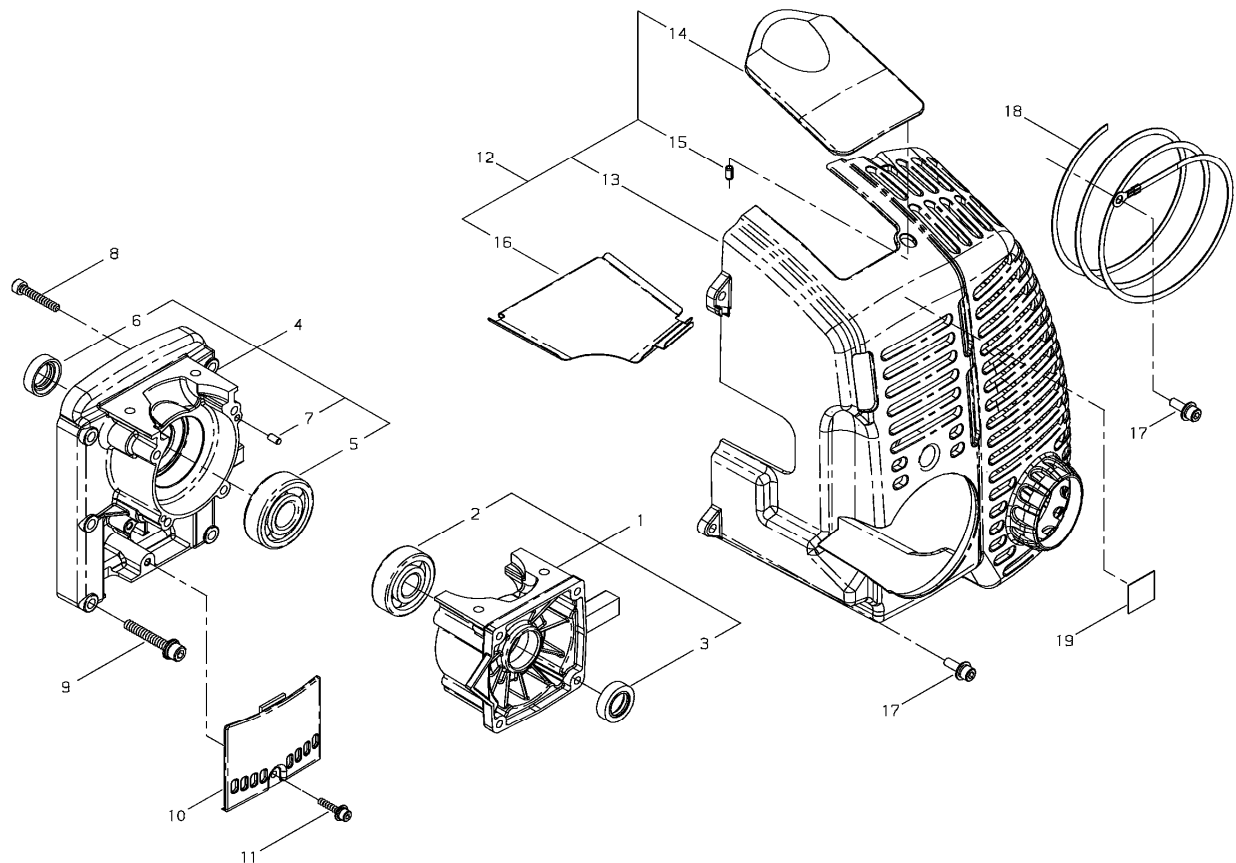
KEY	LV	PART NUMBER	Q'TY	DESCRIPTION	REMARKS	NOTE1	NOTE2
1		68242-12011	1	CYLINDER ASSY			
2		68242-12121	1	GASKET			
3		01020-06250	4	BOLT		M6x25	
4		68242-12210	1	INSULATOR			
5		68242-12311	1	BAFFLE PLATE COMP			
6		68900-12220	2	GASKET			
7		11022-05305	4	BOLT M5*30		M5x30	
8		68242-12330	1	CYLINDER COVER			
9		11024-04120	2	BOLT SPW		M4x12	

2. MUFFLER



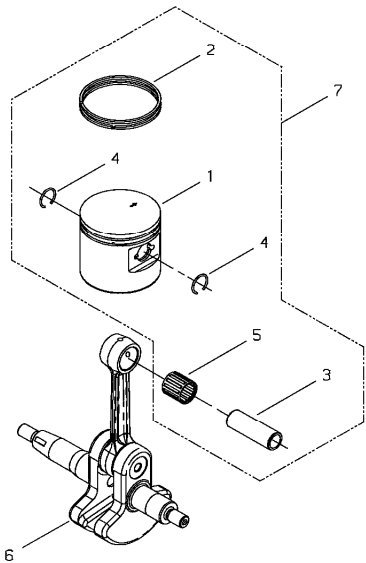
KEY	LV	PART NUMBER	Q'TY	DESCRIPTION	REMARKS	NOTE1	NOTE2
1		68242-15010	1	MUFFLER ASSY			
2	•	68242-15130	1	SCREEN			
3	•	68242-15140	1	TAIL PIPE			
4	•	68242-15160	1	TAIL PLATE			
5	•	11206-04120	2	SCREW PM SPW		M4x12	
6		68242-15211	1	GASKET			
7	•	68242-15320	2	GASKET			
8		01020-06200	4	BOLT		M6x20	

### 3. CRANKCASE, ENGINE COVER



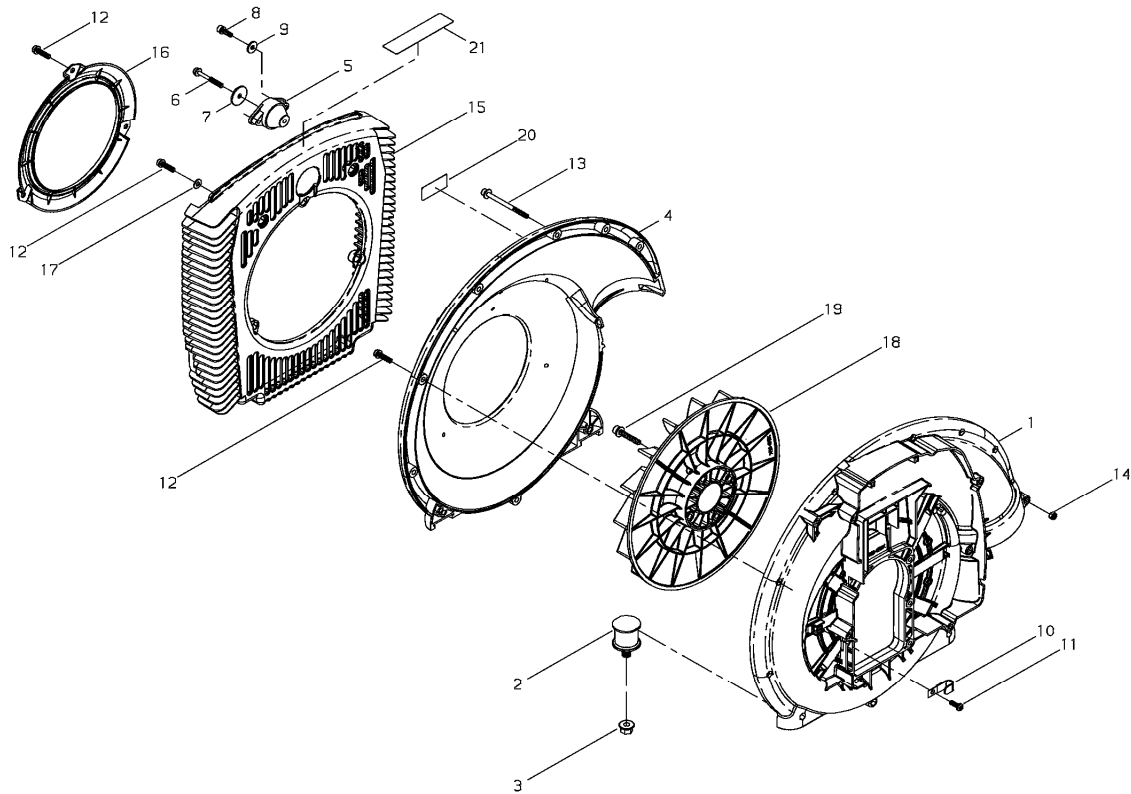
KEY	LV	PART NUMBER	Q'TY	DESCRIPTION	REMARKS	NOTE1	NOTE2
1		68242-21012	1	CRANKCASE,S COMP			
2	•	02030-06302	1	BALL BEARING 6302 C3		6302 C3	
3	•	12310-12000	1	OIL SEAL		15x25x7	
4		68242-21021	1	CRANKCASE,M COMP			
5	•	02030-06303	1	BEARING		6303 C3	
6	•	12310-12000	1	OIL SEAL		15x25x7	
7	•	12492-40080	2	ROLLER		E4X8F6 C3	
8		01020-05300	4	BOLT		M5x30	
9		11060-06400	6	BOLT ADHESIVE		M6x40	
10		68900-21311	1	IGNITION COIL COVER			
11		11024-04200	1	BOLT SW		M4x20	
12		68242-31011	1	ENGINE COVER COMP			
13	•	68242-31111	1	ENGINE COVER			
14	•	68900-31311	1	GROMMET			
15	•	02427-40085	1	PIN		4x8	
16	•	68242-31311	1	PLATE			
17		11024-05160	5	BOLT PM SPW		M5x16	
18		14395-09100	1	LEAD WIRE			
19		19402-00205	1	LABEL CAUTION			

4. PISTON, CRANKSHAFT



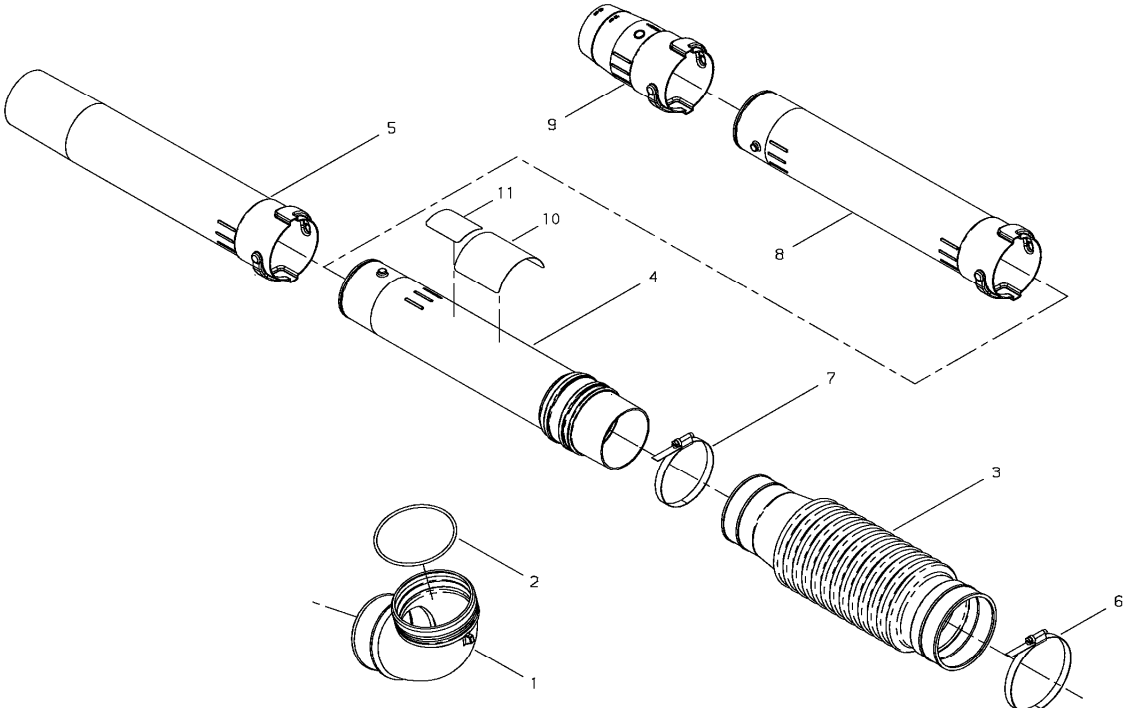
KEY	LV	PART NUMBER	Q'TY	DESCRIPTION	REMARKS	NOTE1	NOTE2
1	•	68242-41111	1	PISTON			
2	•	68242-41120	2	PISTON RING			
3	•	22169-41220	1	PISTON PIN			
4	•	22155-41230	2	SNAP RING			
5	•	22155-41281	1	BEARING SE			
6		68242-42011	1	CRANKSHAFT			
7		68242-98320	1	PISTON SET			

## 5. VOLUT CASE



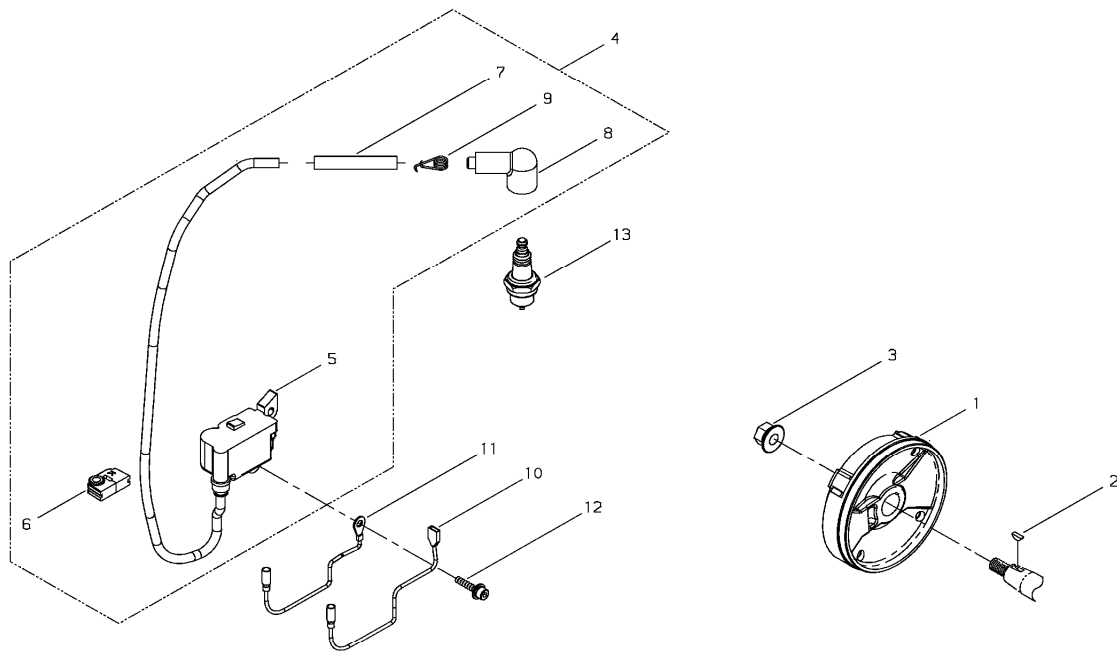
KEY	LV	PART NUMBER	Q'TY	DESCRIPTION	REMARKS	NOTE1	NOTE2
1		68242-61111	1	VOLUTE CASE			
2		68206-61320	2	AV RUBBER			
3		11526-06202	2	FLANGE NUT		M6	
4		68900-61121	1	VOLUTE COVER			
5		68206-61330	1	AV RUBBER			
6		68206-61340	1	BOLT TAPPING			
7		15401-20009	1	COLLAR		φ25xφ5.5xL2	
8		11020-05160	2	BOLT SW		M5x16	
9		15401-10010	2	COLLAR		φ15xφ5.2xL1.6	
10		68206-71370	1	CLAMP			
11		01280-05142	1	SCREW TAPPING		5x14	
12		70140-31480	14	BOLT PC			
13		11024-05700	2	BOLT SW		M5x70	
14		11500-05001	2	NUT		M5	
15		68913-61131	1	INTAKE COVER			
16		68900-61310	1	FUNNEL			
17		01613-05080	2	WASHER		5mm	
18		17343-07001	1	FAN		φ257	
19		11024-06351	4	BOLT SW		M6x35	
20		19402-00178	1	LABEL CAUTION			
21		19402-00290	1	LABEL CAUTION			

6. PIPE



KEY	LV	PART NUMBER	Q'TY	DESCRIPTION	REMARKS	NOTE1	NOTE2
1		68900-63111	1	BEND PIPE			
2		68900-63330	1	O RING			
3		68900-63120	1	FLEXIBLE PIPE			
4		68900-63130	1	JOINT PIPE			
5		68900-63150	1	NOZZLE			
6		68900-63340	1	CLAMP			
7		68900-63351	1	CLAMP			
8		68900-63140	1	PIPE			
9		68900-63360	1	NOZZLE			
10		19420-00109	1	LABEL TRADE		Professional Series,shindaiwa	
11		19402-00337	1	CAUTION LABEL			

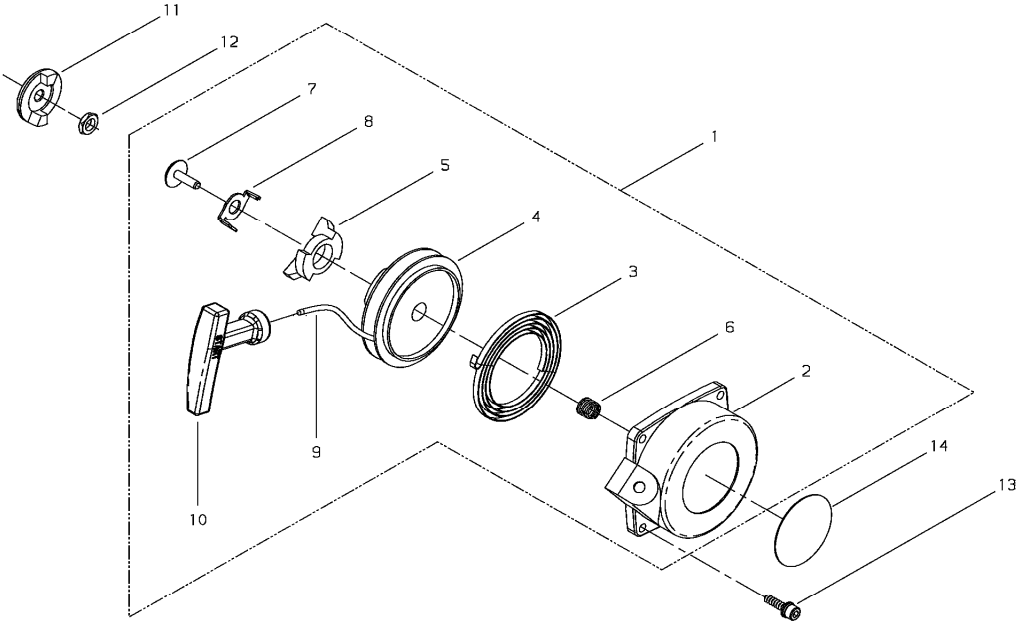
## 7. MAGNETO



KEY	LV	PART NUMBER	Q'TY	DESCRIPTION	REMARKS	NOTE1	NOTE2
1		68900-71112	1	ROTOR			
2		12408-03100	1	KEY		3x10	
3		20035-71220	1	NUT			
4		68242-71310	1	COIL ASSY			
5	▪	68242-71021	1	COIL ASSY			
6	▪	68900-71311	1	GROMMET			
7	▪	70168-71660	1	TUBE			
8	▪	22102-72220	1	PLUG CAP			
9	▪	20000-72230	1	SPRING SPARK PLUG			
10		14350-01702	1	LEAD WIRE		0.5mm <sup>2</sup> L170	
11		14350-11601	1	LEAD WIRE			
12		11024-04200	2	BOLT SW		M4x20	
13		RCJ-6Y	1	スパークプラグ RCJ-6Y			

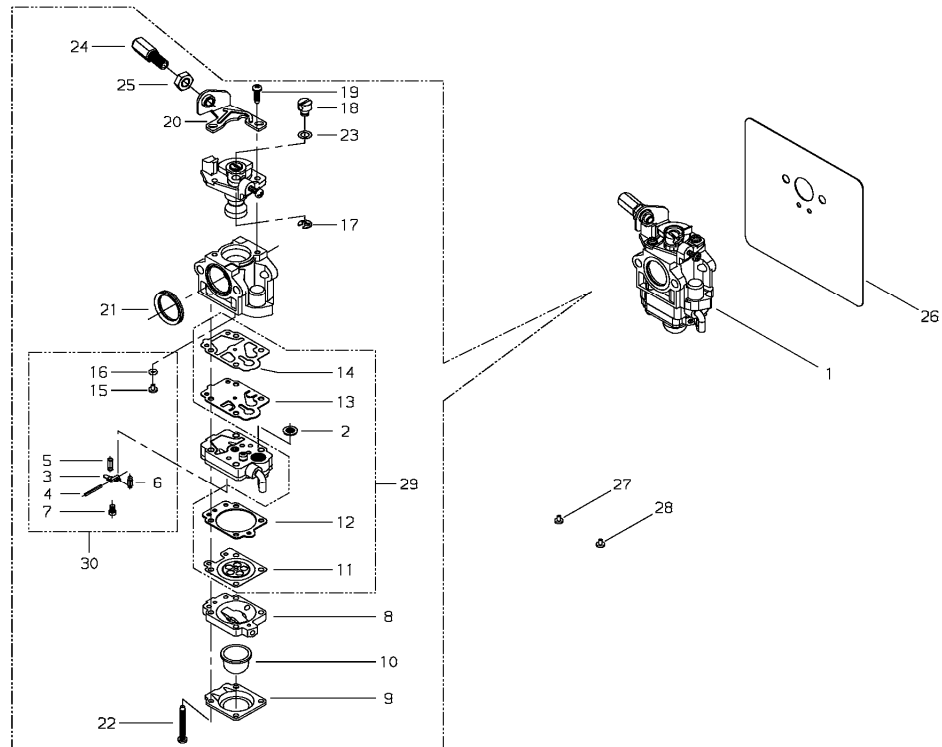


8. RECOIL STARTER



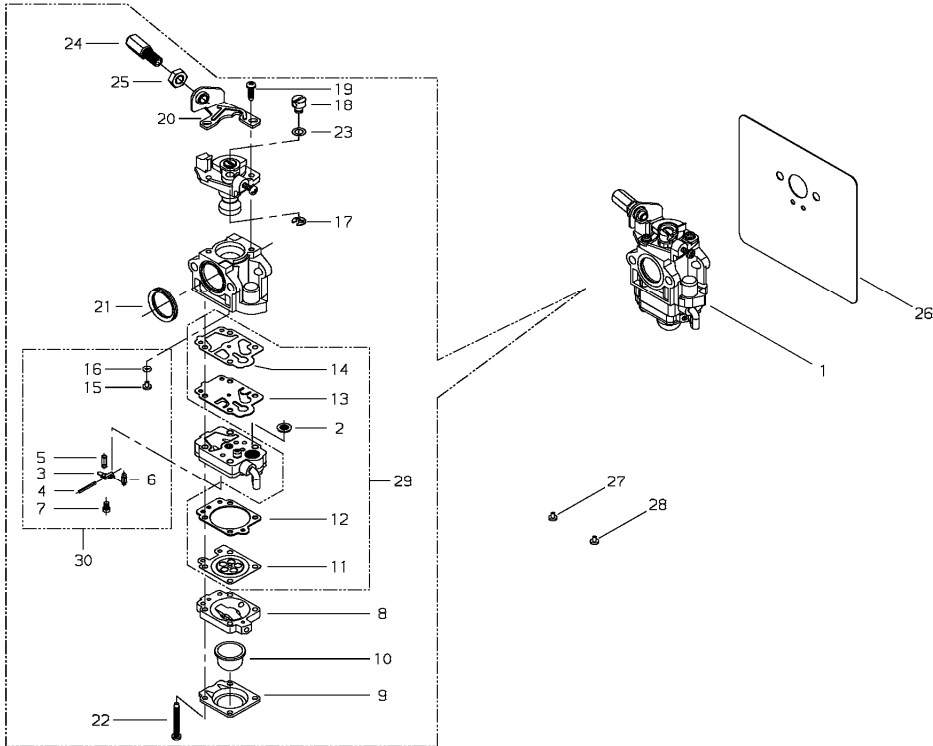
KEY	LV	PART NUMBER	Q'TY	DESCRIPTION	REMARKS	NOTE1	NOTE2
1		68900-75011	1	RECOIL STARTER ASSY			
2	•	68900-75110	1	STARTER CASE			
3	•	68900-75130	1	RECOIL SPRING			
4	•	68900-75120	1	REEL			
5	•	68900-75310	1	DOG			
6	•	68900-75320	1	BRAKE SPRING			
7	•	68900-75330	1	SCREW			
8	•	68900-75340	1	RETAINER			
9	•	68900-75140	1	ROPE			
10	•	68900-75150	1	KNOB			
11		68900-75210	1	STARTER PULLEY			
12		01511-08051	1	NUT		M8	
13		11024-05160	4	BOLT PM SPW		M5x16	
14		68242-91330	1	LABEL,TRADE			

## 9. CARBURETOR



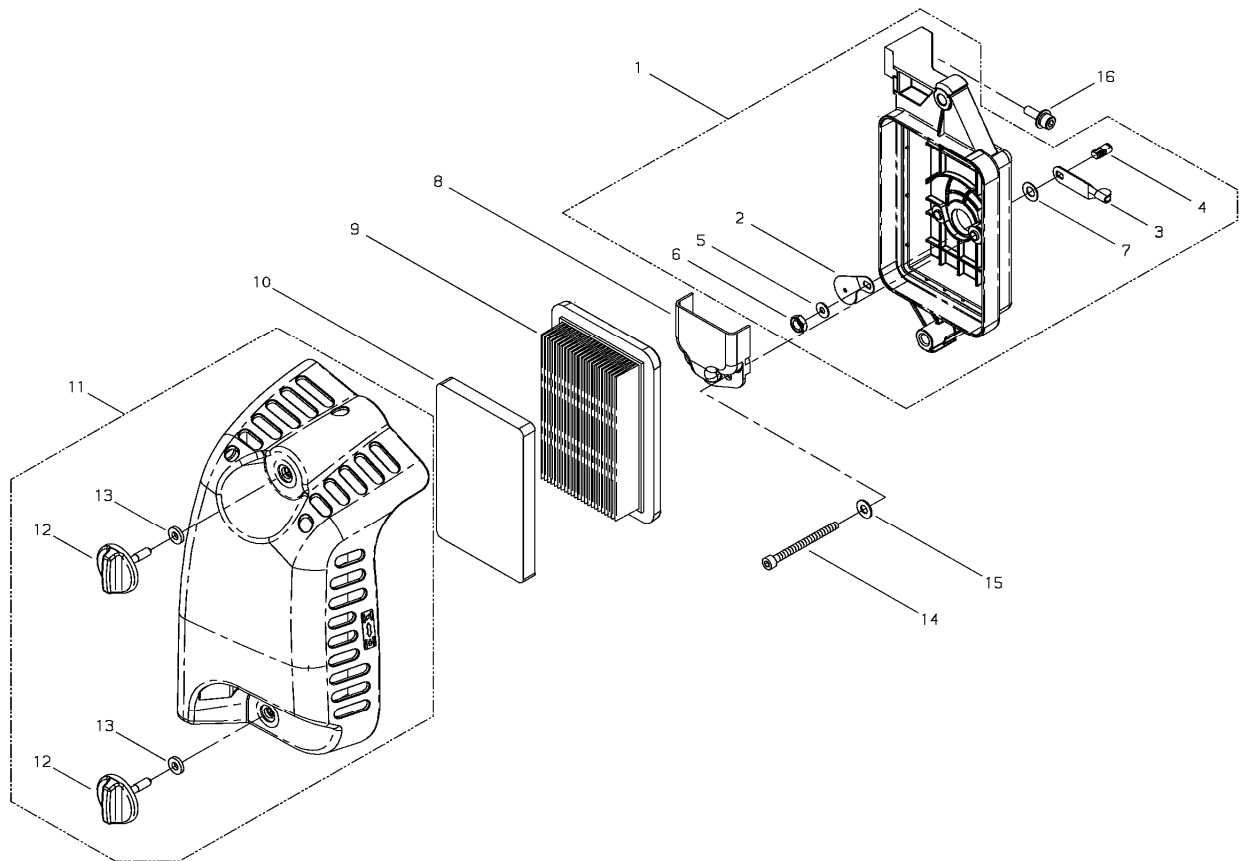
KEY	LV	PART NUMBER	Q'TY	DESCRIPTION	REMARKS	NOTE1	NOTE2
1		68242-81011	1	CARBURETOR ASSY			
2	•	70030-81380	1	SCREEN			
3	•	22100-81230	1	LEVER, METERING			
4	•	22100-81250	1	PIN			
5	•	72933-81270	1	SPRING			
6	•	20036-81440	1	VALVE			
7	•	20016-81450	1	SCREW			
8	•	20016-81420	1	PUMP BASE COMP			
9	•	20016-81510	1	PUMP COVER			
10	•	20036-81670	1	PRIMER PUMP			
11	•	37145-81320	1	DIAPHRAGM			
12	•	20016-81280	1	GASKET			
13	•	70097-81320	1	DIAPHRAGM			
14	•	70097-81310	1	GASKET,PUMP			
15	•	39046-81320	1	JET			
16	•	70097-81220	1	O-RING			
17	•	20036-81195	1	E RING			
18	•	72933-81450	1	SWIVEL			
19	•	70097-81290	2	SCREW			
20	•	20089-81130	1	BRACKET			
21	•	72933-81250	1	RING GASKET			
22	•	20016-81140	4	SCREW			
23	•	20089-81185	1	WASHER			
24	•	20089-81110	1	CABLE ADJUSTER			
25	•	20036-81120	1	NUT			
26		68242-81211	1	GASKET			

9. CARBURETOR



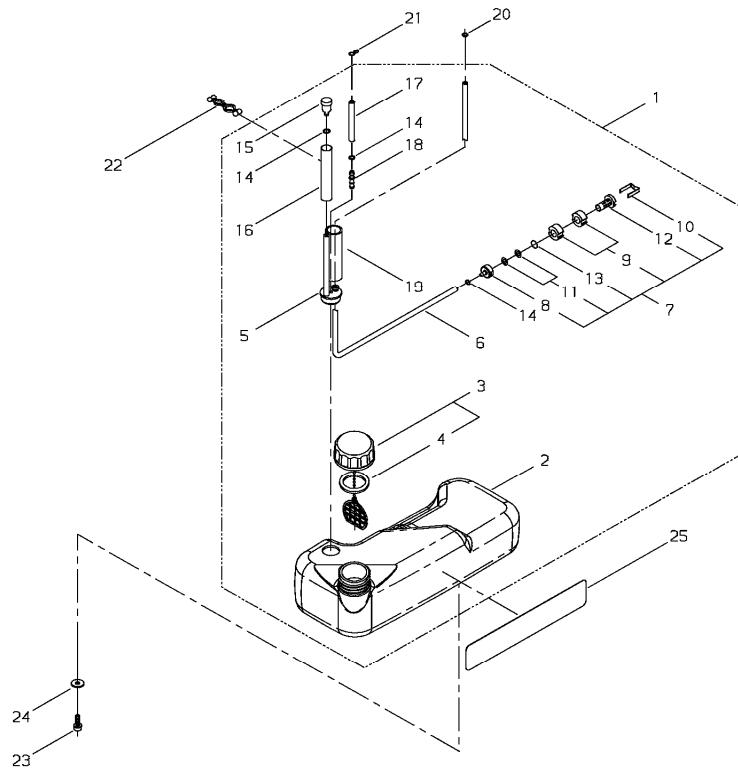
KEY	LV	PART NUMBER	Q'TY	DESCRIPTION	REMARKS	NOTE1	NOTE2
27		22137-81140	1	JET		1000m	
28		72361-98320	1	MAIN JET		2000m	
29		68242-98330	1	GASKET SET			
30		68242-98340	1	VALVE SET			

## 10. AIR CLEANER



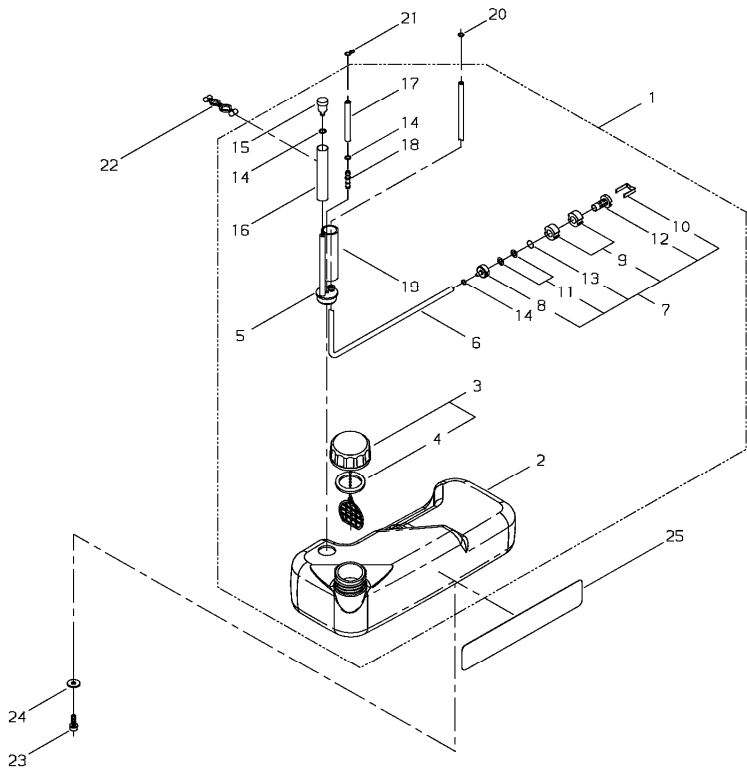
KEY	LV	PART NUMBER	Q'TY	DESCRIPTION	REMARKS	NOTE1	NOTE2
1		68913-82011	1	CLEANER BODY ASSY			
2	▪	20018-81711-B	1	CHOKE PLATE			
3	▪	20870-82120	1	CHOKE LEVER			
4	▪	20110-82140	1	CHOKE SHAFT			
5	▪	01600-06151	1	SPRING WASHER		6mm	
6	▪	11524-06211	1	U NUT		M6	
7	▪	20024-81790	1	CONE WASHER			
8		68900-82311	1	PLATE			
9		68242-82120	1	FILTER			
10		68242-82310	1	PREFILTER			
11		68242-82031	1	CLEANER COVER ASSY			
12	▪	22182-31220	2	KNOB,CLEANER LID			
13	▪	23627-21220	2	COLLAR			
14		01020-05705	2	BOLT		M5x70	
15		01612-00500	2	WASHER		5mm	
16		11022-05200	1	BOLT SPW		M5x20	

## 11. FUEL TANK



KEY	LV	PART NUMBER	Q'TY	DESCRIPTION	REMARKS	NOTE1	NOTE2
1		68913-85010	1	FUEL TANK ASSY			
2	•	68206-85110	1	FUEL TANK			
3	•	68204-85020	1	FUEL CAP ASSY			
4	• •	20000-85221	1	GASKET			
5	•	72933-85350	1	GROMMET			
6	•	68913-85310	1	FUEL PIPE			
7	•	22115-85401	1	FUEL FILTER			
8	•	22128-85410	1	FUEL LINE WEIGHT			
9	•	22128-85421	2	ELEMENT, STRAINER			
10	•	22128-85440	1	CLIP FILTER			
11	•	22118-85460	2	ELEMENT			
12	•	22128-85470	1	SLEEVE			
13	•	22128-85480	1	RING			
14	•	20020-85540	3	CLIP			
15	•	20035-85522	1	VALVE			
16	•	72935-85530	1	PIPE			
17	•	68913-85320	1	PIPE			
18	•	72933-85620	1	JOINT			
19	•	68913-85330	1	PIPE			
20		20020-85540	1	CLIP			
21		37013-85310	1	CLIP			
22		72935-85550	1	CLIP			
23		11060-05140	2	BOLT ADHESIVE		M5x14	
24		15401-10010	2	COLLAR		φ15xφ5.2xL1.6	

11. FUEL TANK

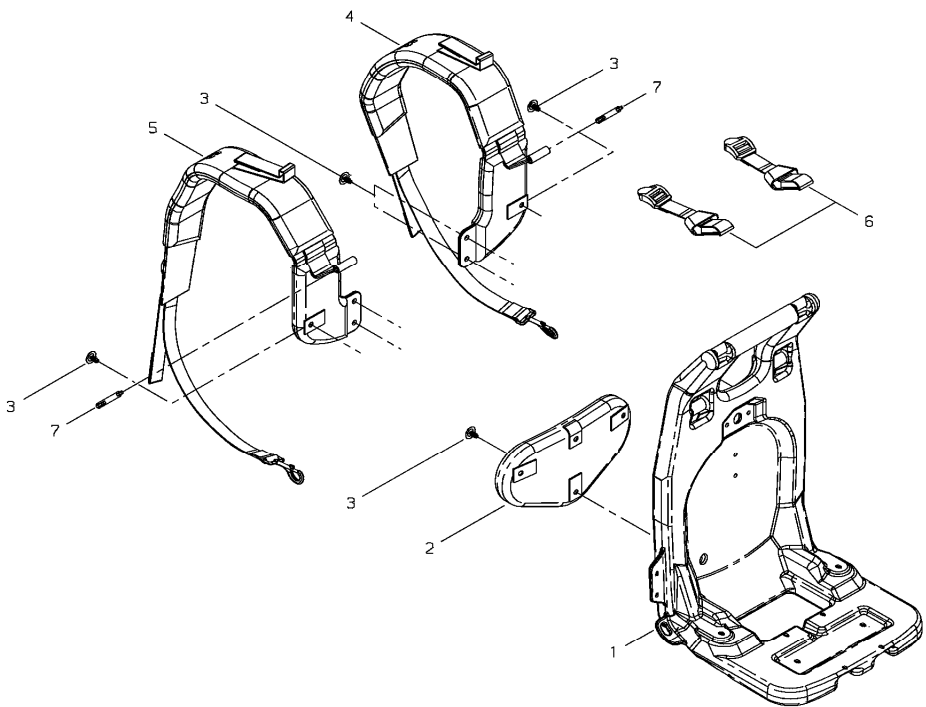


KEY	LV	PART NUMBER	Q'TY	DESCRIPTION	REMARKS	NOTE1	NOTE2
-----	----	-------------	------	-------------	---------	-------	-------

25		19420-00108	1	LABEL TRADE			
----	--	-------------	---	-------------	--	--	--

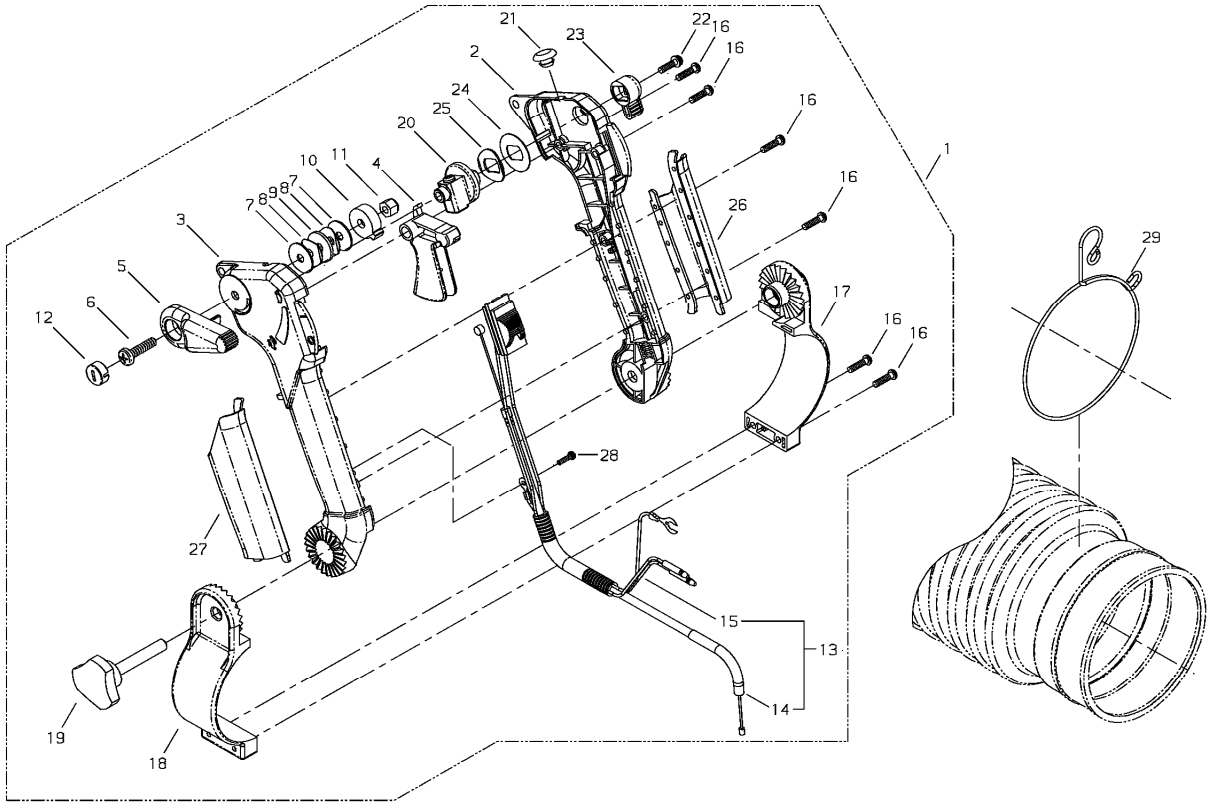
Professional Series,shindaiwa

12. FRAME



KEY	LV	PART NUMBER	Q'TY	DESCRIPTION	REMARKS	NOTE1	NOTE2
1		68913-86111	1	FRAME			
2		68913-86311	1	PAD			
3		68913-86321	8	CLIP			
4		68913-87011	1	BAND,RIGHT ASSY			
5		68913-87021	1	BAND,LEFT ASSY			
6		68913-87310	2	BAND			
7		68913-87320	2	CLIP			

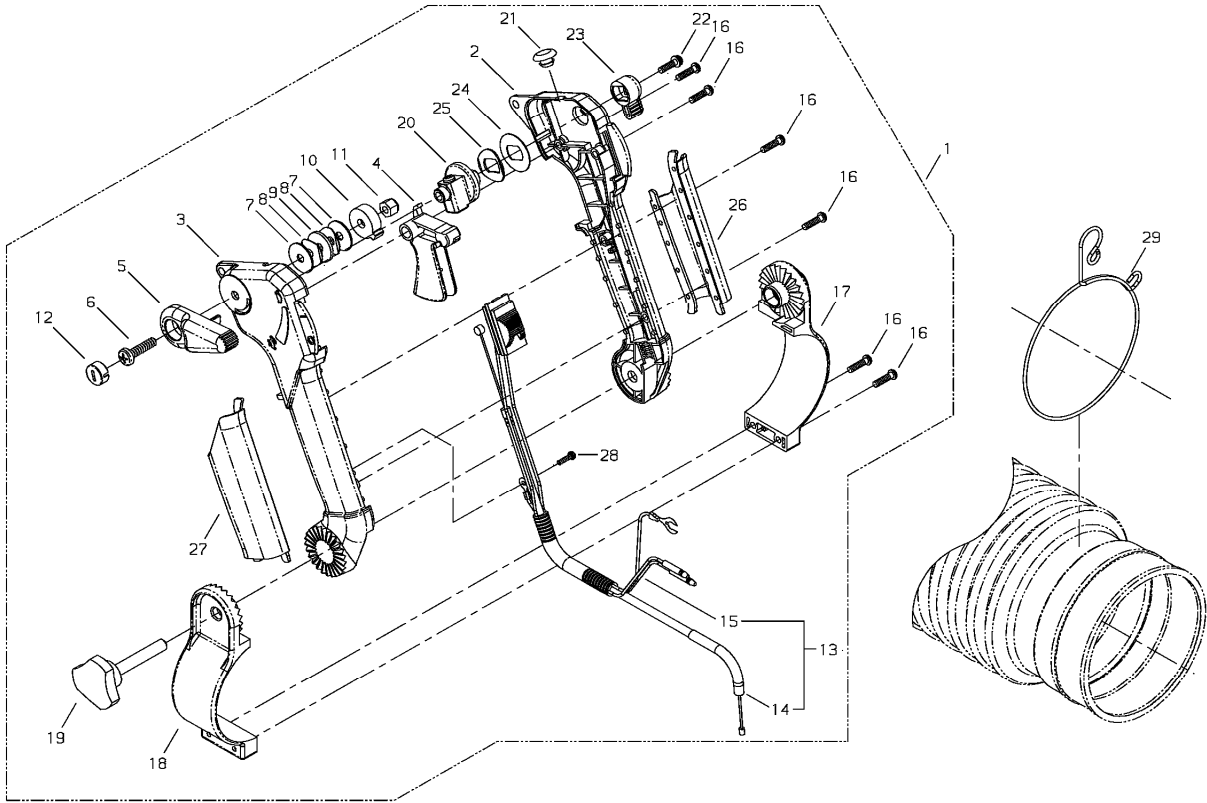
13. HANDLE THROTTLE LEVER



KEY	LV	PART NUMBER	Q'TY	DESCRIPTION	REMARKS	NOTE1	NOTE2
1		68209-84011	1	THROTTLE LEVER ASSY			
2	▪	68209-84321	1	BODY RIGHT			
3	▪	68209-84331	1	BODY LEFT			
4	▪	68209-84340	1	THROTTLE LEVER			
5	▪	68209-84350	1	LOCK LEVER			
6	▪	68209-84360	1	ADJUST BOLT			
7	▪	68209-84370	2	WASHER			
8	▪	68209-84380	2	ADJ SPRING			
9	▪	68209-84390	1	WASHER			
10	▪	68209-84400	1	PLATE			
11	▪	68209-84410	1	NYLON NUT			
12	▪	68209-84420	1	RUBBER CAP			
13	▪	68209-84430	1	THROTTLE CABLE COMP			
14	▪▪	68209-84570	1	THROTTLE CABLE			
15	▪▪	68209-84580	1	SWITCH			
16	▪	68209-84440	6	SCREW			
17	▪	68209-84450	1	BAND RIGHT			
18	▪	68209-84460	1	BAND LEFT			
19	▪	68209-84470	1	KNOB BOLT			
20	▪	68209-84480	1	ADJUSTER ASSY			
21	▪	68209-84490	1	PLUG			
22	▪	68209-84500	1	SCREW			
23	▪	68209-84510	1	SUB LEVER			
24	▪	68209-84520	1	WASHER			
25	▪	68209-84530	1	ADJ SPRING			
26	▪	68209-84541	1	GRIP			

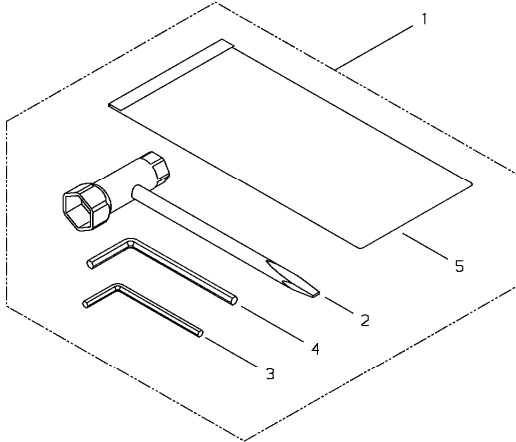


13. HANDLE THROTTLE LEVER



KEY	LV	PART NUMBER	Q'TY	DESCRIPTION	REMARKS	NOTE1	NOTE2
27	•	68209-84551	1	GRIP			
28	•	68209-84561	1	SCREW			
29		68901-84311	1	CLAMP			

14. TOOL



KEY	LV	PART NUMBER	Q'TY	DESCRIPTION	REMARKS	NOTE1	NOTE2
1		68242-92310	1	TOOL SET			
2	•	72320-91410	1	PLUG WRENCH	19-13		
3	•	09026-04001	1	HEXA WRENCH	4MM M5㉿	4mm M5	
4	•	09026-05001	1	HEXA WRENCH 6MM		5mm M6	
5	•	19639-01100	1	POLY BAG		0.04*175*115	

**Index**

<b>Patrs Number</b>	<b>Key No.</b>	<b>Patrs Number</b>	<b>Key No.</b>	<b>Patrs Number</b>	<b>Key No.</b>
01020-05300	3 - 8	20000-85221	11 - 4	68209-84340	13 - 4
01020-05705	10 - 14	20016-81140	9 - 22	68209-84350	13 - 5
01020-06200	2 - 8	20016-81280	9 - 12	68209-84360	13 - 6
01020-06250	1 - 3	20016-81420	9 - 8	68209-84370	13 - 7
01280-05142	5 - 11	20016-81450	9 - 7	68209-84380	13 - 8
01511-08051	8 - 12	20016-81510	9 - 9	68209-84390	13 - 9
01600-06151	10 - 5	20018-81711-B	10 - 2	68209-84400	13 - 10
01612-00500	10 - 15	20020-85540	11 - 14	68209-84410	13 - 11
01613-05080	5 - 17	20020-85540	11 - 20	68209-84420	13 - 12
02030-06302	3 - 2	20024-81790	10 - 7	68209-84430	13 - 13
02030-06303	3 - 5	20035-71220	7 - 3	68209-84440	13 - 16
02427-40085	3 - 15	20035-85522	11 - 15	68209-84450	13 - 17
09026-04001	14 - 3	20036-81120	9 - 25	68209-84460	13 - 18
09026-05001	14 - 4	20036-81195	9 - 17	68209-84470	13 - 19
11020-05160	5 - 8	20036-81440	9 - 6	68209-84480	13 - 20
11022-05200	10 - 16	20036-81670	9 - 10	68209-84490	13 - 21
11022-05305	1 - 7	20089-81110	9 - 24	68209-84500	13 - 22
11024-04120	1 - 9	20089-81130	9 - 20	68209-84510	13 - 23
11024-04200	3 - 11	20089-81185	9 - 23	68209-84520	13 - 24
11024-04200	7 - 12	20110-82140	10 - 4	68209-84530	13 - 25
11024-05160	3 - 17	20870-82120	10 - 3	68209-84541	13 - 26
11024-05160	8 - 13	22100-81230	9 - 3	68209-84551	13 - 27
11024-05700	5 - 13	22100-81250	9 - 4	68209-84561	13 - 28
11024-06351	5 - 19	22102-72220	7 - 8	68209-84570	13 - 14
11060-05140	11 - 23	22115-85401	11 - 7	68209-84580	13 - 15
11060-06400	3 - 9	22118-85460	11 - 11	68242-12011	1 - 1
11206-04120	2 - 5	22128-85410	11 - 8	68242-12121	1 - 2
11500-05001	5 - 14	22128-85421	11 - 9	68242-12210	1 - 4
11524-06211	10 - 6	22128-85440	11 - 10	68242-12311	1 - 5
11526-06202	5 - 3	22128-85470	11 - 12	68242-12330	1 - 8
12310-12000	3 - 3	22128-85480	11 - 13	68242-15010	2 - 1
12310-12000	3 - 6	22137-81140	9 - 27	68242-15130	2 - 2
12408-03100	7 - 2	22155-41230	4 - 4	68242-15140	2 - 3
12492-40080	3 - 7	22155-41281	4 - 5	68242-15160	2 - 4
14350-01702	7 - 10	22169-41220	4 - 3	68242-15211	2 - 6
14350-11601	7 - 11	22182-31220	10 - 12	68242-15320	2 - 7
14395-09100	3 - 18	23627-21220	10 - 13	68242-21012	3 - 1
15401-10010	5 - 9	37013-85310	11 - 21	68242-21021	3 - 4
15401-10010	11 - 24	37145-81320	9 - 11	68242-31011	3 - 12
15401-20009	5 - 7	39046-81320	9 - 15	68242-31111	3 - 13
17343-07001	5 - 18	68204-85020	11 - 3	68242-31311	3 - 16
19402-00178	5 - 20	68206-61320	5 - 2	68242-41111	4 - 1
19402-00205	3 - 19	68206-61330	5 - 5	68242-41120	4 - 2
19402-00290	5 - 21	68206-61340	5 - 6	68242-42011	4 - 6
19402-00337	6 - 11	68206-71370	5 - 10	68242-61111	5 - 1
19420-00108	11 - 25	68206-85110	11 - 2	68242-71021	7 - 5
19420-00109	6 - 10	68209-84011	13 - 1	68242-71310	7 - 4
19639-01100	14 - 5	68209-84321	13 - 2	68242-81011	9 - 1
20000-72230	7 - 9	68209-84331	13 - 3	68242-81211	9 - 26

**Index**

<b>Patrs Number</b>	<b>Key No.</b>	<b>Patrs Number</b>	<b>Key No.</b>	<b>Patrs Number</b>	<b>Key No.</b>
68242-82031	10 - 11	68913-87320	12 - 7		
68242-82120	10 - 9	70030-81380	9 - 2		
68242-82310	10 - 10	70097-81220	9 - 16		
68242-91330	8 - 14	70097-81290	9 - 19		
68242-92310	14 - 1	70097-81310	9 - 14		
68242-98320	4 - 7	70097-81320	9 - 13		
68242-98330	9 - 29	70140-31480	5 - 12		
68242-98340	9 - 30	70168-71660	7 - 7		
68900-12220	1 - 6	72320-91410	14 - 2		
68900-21311	3 - 10	72361-98320	9 - 28		
68900-31311	3 - 14	72933-81250	9 - 21		
68900-61121	5 - 4	72933-81270	9 - 5		
68900-61310	5 - 16	72933-81450	9 - 18		
68900-63111	6 - 1	72933-85350	11 - 5		
68900-63120	6 - 3	72933-85620	11 - 18		
68900-63130	6 - 4	72935-85530	11 - 16		
68900-63140	6 - 8	72935-85550	11 - 22		
68900-63150	6 - 5	RCJ-6Y	7 - 13		
68900-63330	6 - 2				
68900-63340	6 - 6				
68900-63351	6 - 7				
68900-63360	6 - 9				
68900-71112	7 - 1				
68900-71311	7 - 6				
68900-75011	8 - 1				
68900-75110	8 - 2				
68900-75120	8 - 4				
68900-75130	8 - 3				
68900-75140	8 - 9				
68900-75150	8 - 10				
68900-75210	8 - 11				
68900-75310	8 - 5				
68900-75320	8 - 6				
68900-75330	8 - 7				
68900-75340	8 - 8				
68900-82311	10 - 8				
68901-84311	13 - 29				
68913-61131	5 - 15				
68913-82011	10 - 1				
68913-85010	11 - 1				
68913-85310	11 - 6				
68913-85320	11 - 17				
68913-85330	11 - 19				
68913-86111	12 - 1				
68913-86311	12 - 2				
68913-86321	12 - 3				
68913-87011	12 - 4				
68913-87021	12 - 5				
68913-87310	12 - 6				

# YAMABIKO CORPORATION

7-2 SUEHIROCHO 1-CHOME, OHME, TOKYO 198-8760, JAPAN  
PHONE: 81-428-32-6118. FAX: 81-428-32-6145.

**shindaiwa<sup>®</sup>**



EPA2  
No.