

shindaiwa[®]

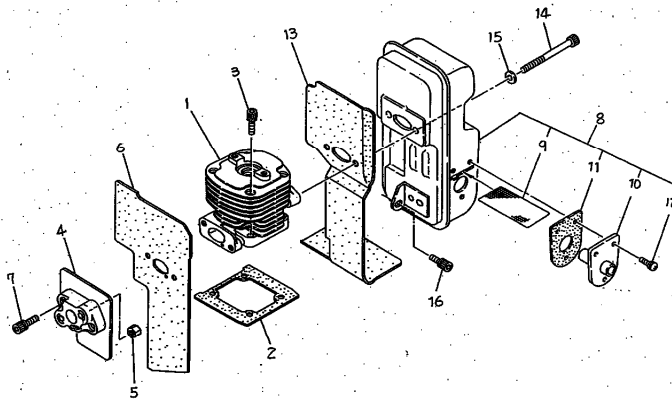
PARTS CATALOG

**BLOWER
EB500 EC1**



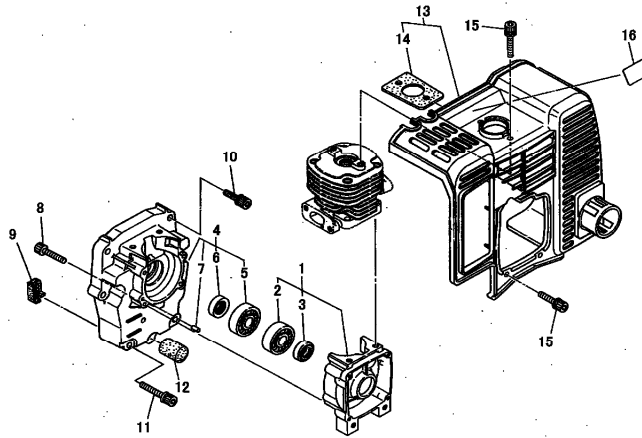
EB500 EC1

1. CYLINDER, MUFFLER



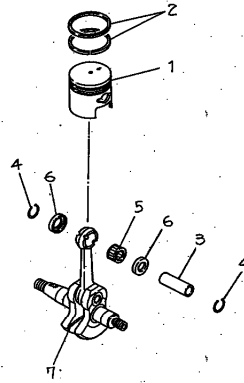
KEY	LV	PART NUMBER	Q'TY	DESCRIPTION	REMARKS	NOTE1	NOTE2
1		72935-12111	1	CYLINDER			
2		72935-12120	1	GASKET			
3		11060-05253	4	BOLT ADHESIVE		M5x25	
4		68200-12210	1	INSULATOR			
5		20011-12260	2	NUT		M5xH6.3	
6		72935-12221	1	GASKET			
7		1106005251	2	BOLT ADHISIVE		M5x25	
8		68200-15010	1	MUFFLER ASSY			
9		70029-15120	1	ARESTER			
10		68200-15140	1	TAIL PIPE			
11		70029-15140	1	GASKET PIPE			
12		11206-04120	3	SCREW PM SPW		M4x12	
13		72935-15211	1	GASKET			
14		01020-06700	2	BOLT		M6x70	
15		01610-06080	2	WASHER			
16		11024-05120	1	BOLT SLPW		M5x12	

2. CRANKCASE, ENGINE COVER



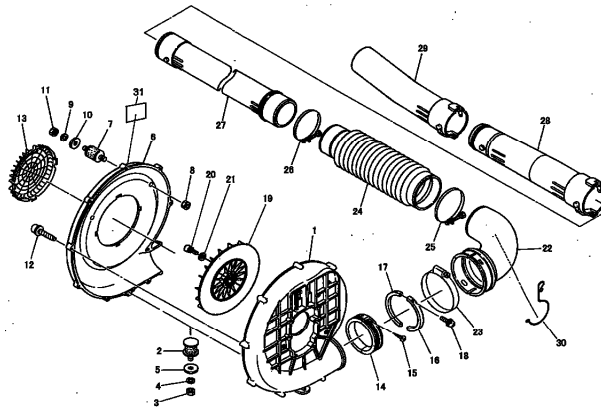
KEY	LV	PART NUMBER	Q'TY	DESCRIPTION	REMARKS	NOTE1	NOTE2
1		72935-21101	1	CRANK CASE S COMP			
2	•	12900-62020	1	BEARING			
3	•	20010-21211	1	OIL SEAL			
4		72935-21200	1	CASE M COMP			
5	•	12900-62020	1	BEARING			
6	•	20010-21211	1	OIL SEAL			
7	•	12492-50100	2	ROLLER			
8		11060-05300	4	BOLT ADHESIVE		M5x30	
9		72935-21220	1	SEAL			
10		11060-06300	4	BOLT ADHESIVE		M6x30	
11		11060-06450	2	BOLT ADHESIVE		M6x45	
12		72935-21230	1	CUSHION			
13		7293531103	1	ENGINE COVER ASY			
14	•	20028-32131	1	GASKET COVER			
15		11060-05162	4	BOLT ADHESIVE		M5x16	
16		19402-00148	1	LABEL,CAUTION			

3. PISTON, CRANKSHAFT



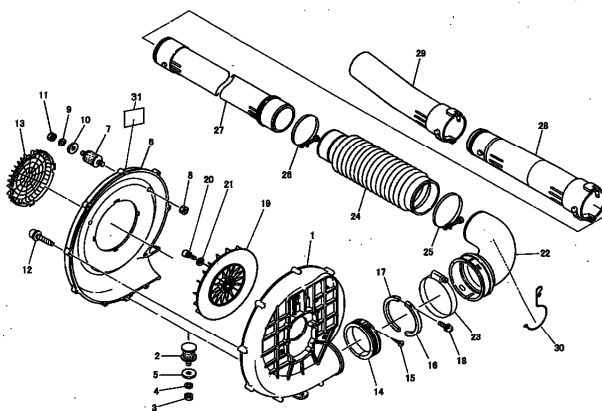
KEY	LV	PART NUMBER	Q'TY	DESCRIPTION	REMARKS	NOTE1	NOTE2
1		72935-41110	1	PISTON			
2		72935-41210	2	PISTON RING			
3		20021-41310	1	PISTON PIN			
4		22150-41230	2	SNAP RING			
5		20021-41330	1	BEARING SE			
6		20021-41342	2	THRUST WASHER			
7		72935-42000	1	CRANK SHAFT ASSY			

4. VOLUT CASE



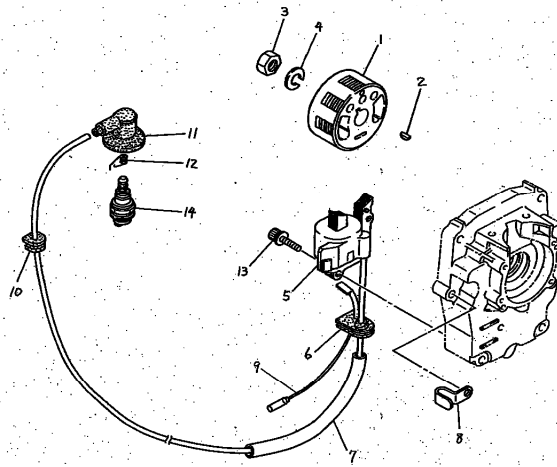
KEY	LV	PART NUMBER	Q'TY	DESCRIPTION	REMARKS	NOTE1	NOTE2
1		72935-61112	1	VOLUTE CASE			
2		72935-61120	1	CUSHION			
3		01500-06051	1	NUT	M6	M6 MFZN3-C	
4		01600-06151	1	SPRING WASHER		6mm MFZN3-C	
5		15401-10016	1	COLLAR		MFZN3 6.4*18*T2	
6		72935-61212	1	VOLUTE COVER			
7		72935-61220	2	CUSHION			
8		01500-05041	2	NUT	M5	M5 MFZN3-C	
9		01600-05131	2	SPRING WASHER		5mm MFZN3-C	
10		22104-31620	2	WASHER			
11		01500-05041	2	NUT	M5	M5 MFZN3-C	
12		72935-61230	9	BOLT TAPPING			
13		72935-61310	1	INTAKE COVER			
14		72935-61410	1	SLEEVE			
15		11270-03202	1	SCREW TAPPING			
16		72935-61420	1	RING			
17		72935-61430	1	RING			
18		11203-03250	2	SCREW PM			
19		68200-62112	1	FAN			
20		11060-06251	3	BOLT ADHESIVE			
21		01612-00600	3	WASHER			
22		72935-63110	1	BEND PIPE			
23		72935-63120	1	CLAMP			
24		72935-63210	1	FLEXIBLE PIPE			
25		72935-63221	1	CLAMP			

4. VOLUT CASE



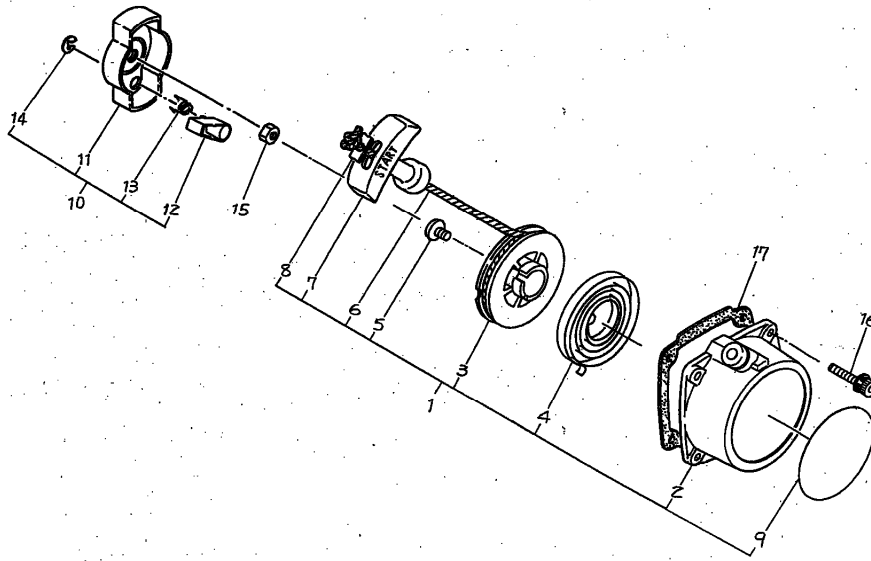
KEY	LV	PART NUMBER	Q'TY	DESCRIPTION	REMARKS	NOTE1	NOTE2
26		72935-63231	1	CLAMP			
27		72935-63311	1	JOINT PIPE			
28		72935-63340	1	PIPE			
29		72935-63331	1	NOZZLE			
30		68208-84410	1	CLAMP			
31		19404-00033	1	LABEL DECIBEL			

5. MAGNETO



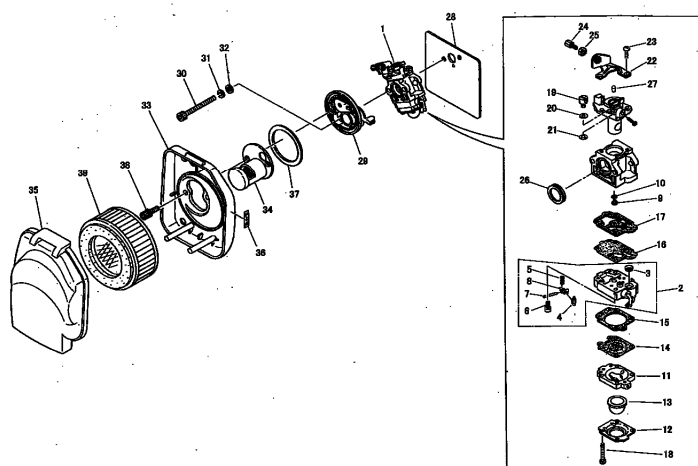
KEY	LV	PART NUMBER	Q'TY	DESCRIPTION	REMARKS	NOTE1	NOTE2
1		72935-71200	1	ROTOR			
2		02403-03100	1	KEY	3*10		
3		01511-10061	1	NUT			
4		01600-10251	1	SPRING WASHER			
5		68232-71210	1	COIL			
6		70029-72110	1	GROMMET			
7		20016-71660	1	TUBE		φ8×φ6×L125	
8		72935-72140	1	CORD CLIP			
9		14352-01600	1	LEAD WIRE			
10		20011-72110	1	GROMMET			
11		20024-72220	1	PLUG CAP			
12		20000-72230	1	SPRING SPARK PLUG			
13		11060-05201	2	SCREW ADHESIVE		M5x20	
14		13000-13406	1	SPARK PLUG BMR6A		BMR6A	

6. RECOIL STARTER



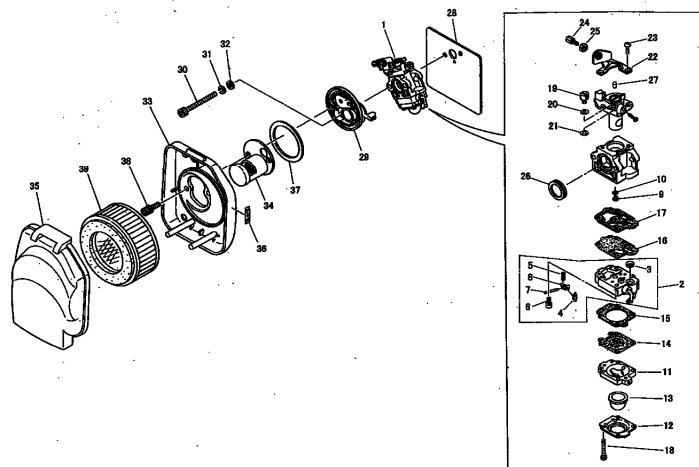
KEY	LV	PART NUMBER	Q'TY	DESCRIPTION	REMARKS	NOTE1	NOTE2
1		72935-75101	1	RECOIL STARETR			
2	•	72935-75111	1	STARTER CASE			
3	•	70131-75120	1	REEL			
4	•	20024-75130	1	RECOIL SPRING			
5	•	72935-75170	1	SCREW TAPPING			
6	•	20020-75180	1	ROPE			
7	•	20010-75190	1	STARTER KNOB			
8	•	20010-75210	1	STOPPER			
9	•	19420-00027	1	LABEL TRADE			
10		72935-75200	1	STARTER PULLY ASSY			
11	•	72935-75210	1	STARTER PULLEY		M8x1.25	
12	•	20024-75220	1	RATCHET			
13	•	72935-75230	1	RETURN SPRING			
14	•	20024-75240	1	E RING			
15		72935-75310	1	NUT		M8x1.25	
16		11060-04160	4	BOLT ADHESIVE			
17		20020-76111	1	GASKET STARTER			

7. CARBURETOR, AIR CLEANER



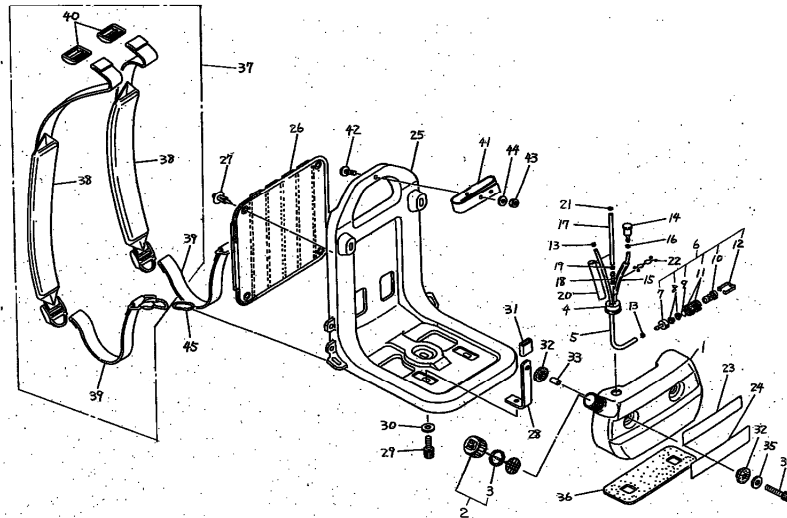
KEY	LV	PART NUMBER	Q'TY	DESCRIPTION	REMARKS	NOTE1	NOTE2
1		68237-81010	1	CARBURETOR ASSY			
2	•	72933-81411	1	PUMP BODY ASSY			
3	• •	70030-81380	1	SCREEN			
4	• •	20036-81440	1	VALVE			
5	• •	72933-81270	1	SPRING			
6	• •	20016-81450	1	SCREW			
7	• •	22100-81250	1	PIN			
8	• •	22100-81230	1	LEVER, METERING			
9	•	68232-81320	1	MAIN JET			
10	•	70097-81220	1	O-RING			
11	•	20016-81420	1	PUMP BASE COMP			
12	•	20016-81510	1	PUMP COVER			
13	•	20036-81670	1	PRIMER PUMP			
14	•	22100-81260	1	DIAPHRAGM ASM			
15	•	20016-81280	1	GASKET			
16	•	70097-81320	1	DIAPHRAGM			
17	•	70097-81310	1	GASKET,PUMP			
18	•	20016-81140	4	SCREW			
19	•	72933-81450	1	SWIVEL			
20	•	20089-81185	1	WASHER			
21	•	20036-81195	1	E RING			
22	•	20089-81130	1	BRACKET			
23	•	70097-81290	1	SCREW			
24	•	20089-81110	1	CABLE ADJUSTER			
25	•	20036-81120	2	NUT			
26	•	72933-81250	1	RING GASKET			

7. CARBURETOR, AIR CLEANER



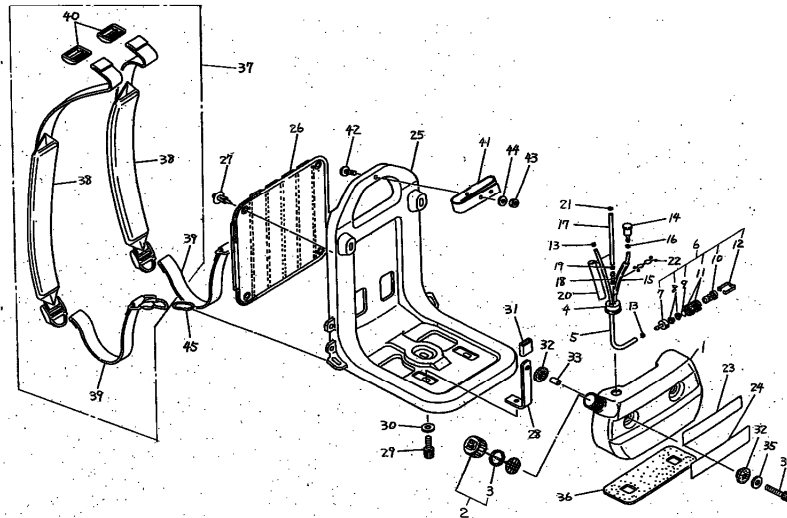
KEY	LV	PART NUMBER	Q'TY	DESCRIPTION	REMARKS	NOTE1	NOTE2
27	.	62074-81320	1	PLAG			
28		72935-81711	1	GASKET CABURETOR			
29		72935-81501	1	CHOKE COMP			
30		01020-05600	2	BOLT		M5*60	
31		01600-05131	2	SPRING WASHER		5mm MFZN3-C	
32		01610-05080	2	WASHER		5mm T:0.8 MFZN3-C	
33		72935-82111	1	CLEANER BODY			
34		72935-82130	1	PIPE			
35		72935-82120	1	CLEANER COVER			
36		19404-00008	1	LABEL CHOKE			
37		72935-82210	1	GASKET			
38		11024-04140	2	BOLT SPW			
39		72935-82310	1	FILTER			

8. FUEL TANK, FRAME



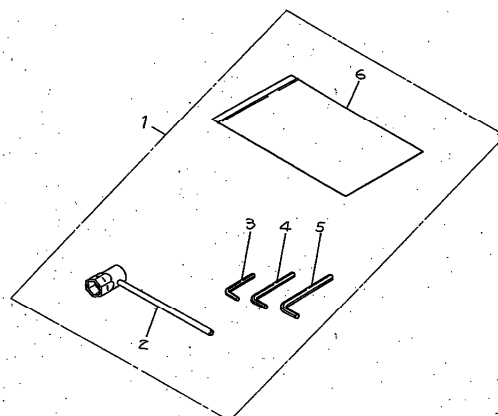
KEY	LV	PART NUMBER	Q'TY	DESCRIPTION	REMARKS	NOTE1	NOTE2
1		72935-85111	1	FUEL TANK			
2		68204-85020	1	FUEL CAP ASSY			
3	•	20000-85221	1	GASKET			
4		72933-85350	1	GROMMET			
5		68206-85340	1	PIPE			
6		22115-85401	1	FUEL FILTER			
7	•	22128-85410	1	FUEL LINE WEIGHT			
8	•	22118-85460	2	ELEMENT			
9	•	22128-85480	1	RING			
10	•	22128-85470	1	SLEEVE			
11	•	22128-85421	2	ELEMENT, STRAINER			
12	•	22128-85440	1	CLIP FILTER			
13		20020-85540	2	CLIP		φ6	
14		20035-85522	1	VALVE			
15		72935-85530	1	PIPE		φ10×φ8×L70	
16		20020-85540	1	CLIP		φ6	
17		72935-85512	1	PIPE		φ5×φ3×L140	
18		72933-85620	1	JOINT			
19		20020-85540	1	CLIP		φ6	
20		72935-85540	1	PIPE		φ12×φ11×L95	
21		20021-85540	1	CLIP		φ5	
22		72935-85550	1	CLIP		φ8×φ10	
23		68200-91032	1	LABEL TRADE			
24		19420-00056	1	LABEL TRADE			
25		72935-86111	1	FRAME			
26		72935-86120	1	PAD			

8. FUEL TANK, FRAME



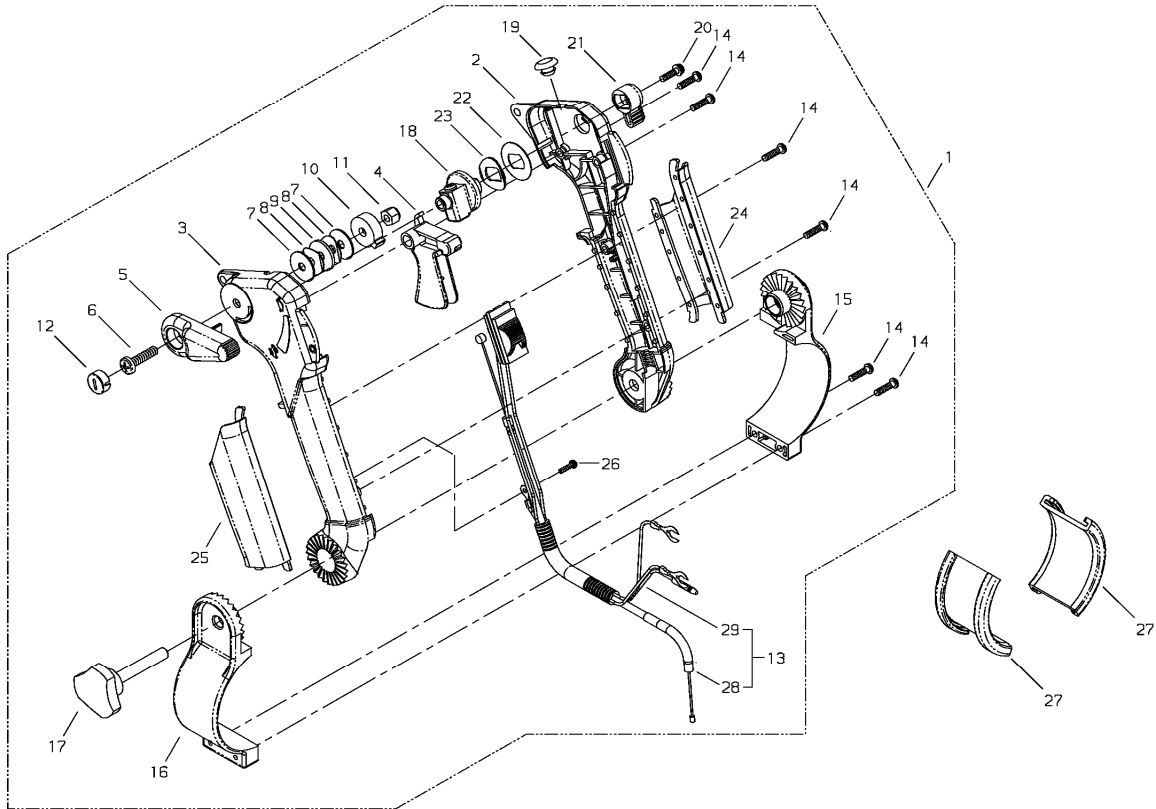
KEY	LV	PART NUMBER	Q'TY	DESCRIPTION	REMARKS	NOTE1	NOTE2
27		72935-86130	4	CLIP			
28		72935-86411	2	BRACKET			
29		11020-06200	2	BOLT SW		M6x20	
30		15401-10016	2	COLLAR			
31		72935-86440	2	CUSHION			
32		72935-86421	4	CUSHION			
33		17901-06150	2	COLLAR			
34		11020-06250	2	BOLT SW		M6x25	
35		15401-20004	2	COLLAR			
36		72935-86431	1	CUSHION			
37		72935-87100	2	BAND ASSY			
38		72935-87111	2	BAND			
39		72935-87120	2	BAND			
40		72451-17230	2	BUCKLE			
41		72935-87210	1	BAND			
42		01215-06300	1	SCREW		M6x30	
43		22011-97840	1	LOCK NUT		M6	
44		15401-10016	1	COLLAR			
45		72935-87310	2	RING			

9. TOOL



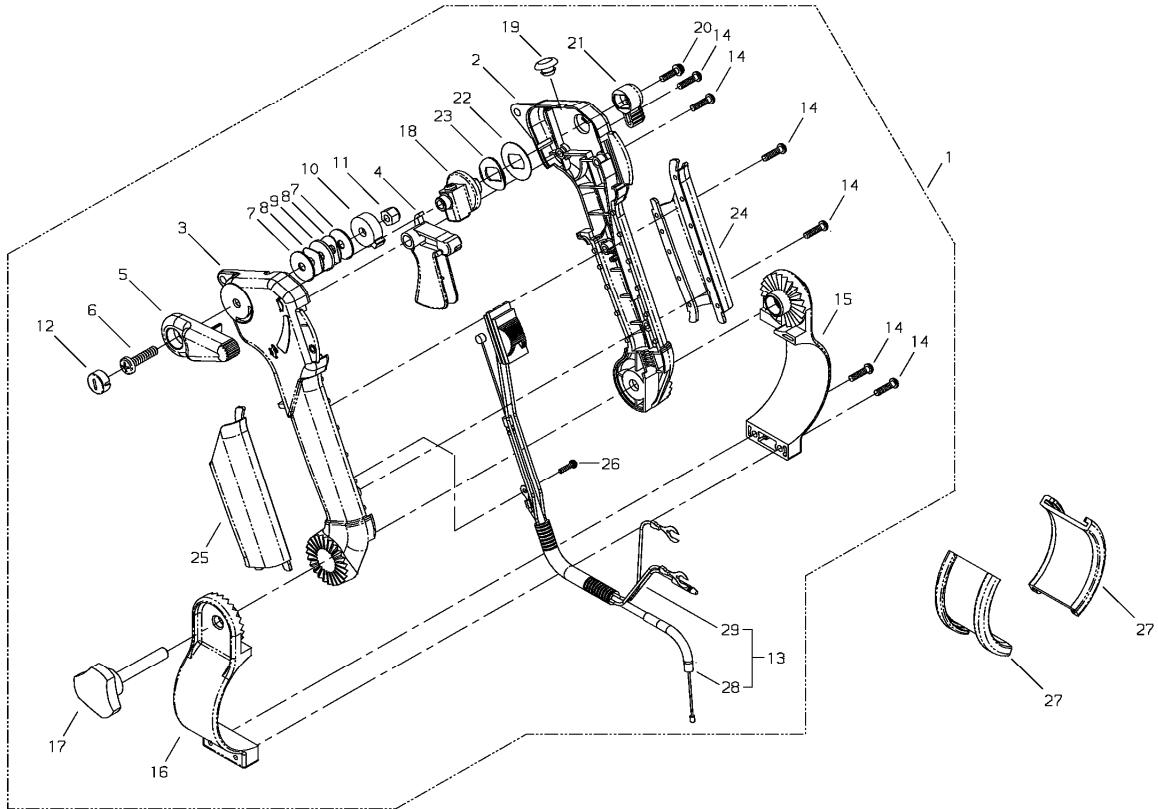
KEY	LV	PART NUMBER	Q'TY	DESCRIPTION	REMARKS	NOTE1	NOTE2
1		72935-91000	1	TOOL SET			
2	▪	22900-91180	1	PLUG WRENCH			
3	▪	09026-03001	1	HEXA WRENCH 4MM		3mm M4	
4	▪	09026-04001	1	HEXA WRENCH	4MM M5㉿	4mm M5	
5	▪	09026-05001	1	HEXA WRENCH 6MM		5mm	
6	▪	19639-01100	1	POLY BAG		0.04*175*115	

10. THROTTLE LEVER

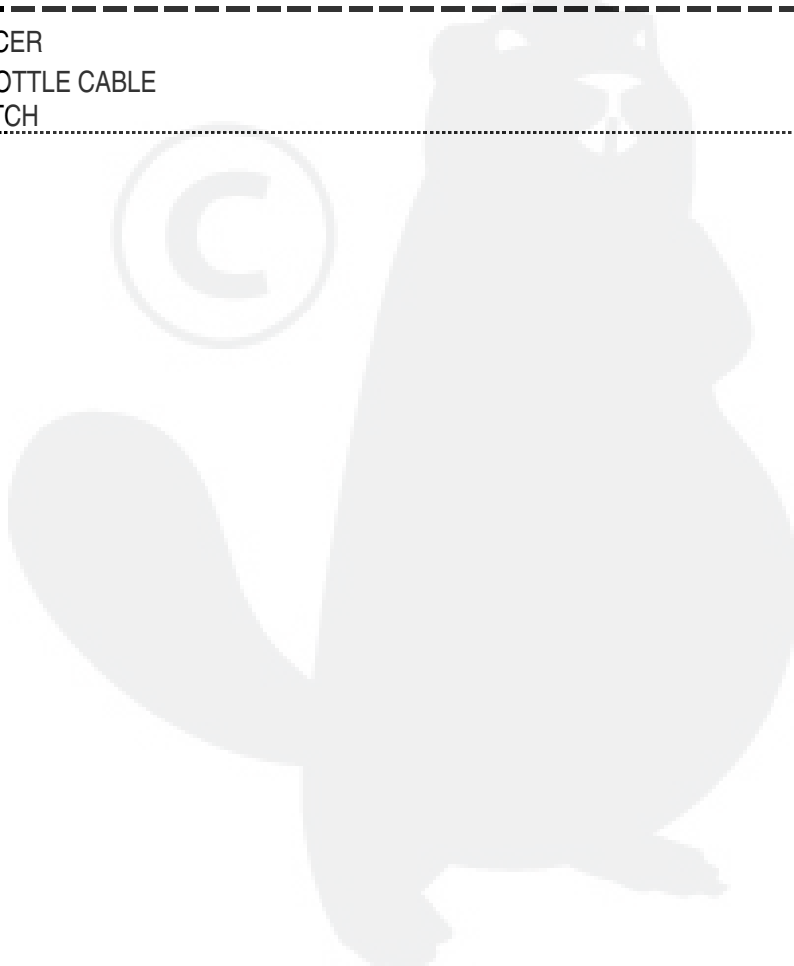


KEY	LV	PART NUMBER	Q'TY	DESCRIPTION	REMARKS	NOTE1	NOTE2
1		68237-84011	1	THROTTLE LEVER ASSY			
2	•	68209-84321	1	BODY RIGHT			
3	•	68209-84331	1	BODY LEFT			
4	•	68209-84340	1	THROTTLE LEVER			
5	•	68209-84350	1	LOCK LEVER			
6	•	68209-84360	1	ADJUST BOLT			
7	•	68209-84370	2	WASHER			
8	•	68209-84380	2	ADJ SPRING			
9	•	68209-84390	1	WASHER			
10	•	68209-84400	1	PLATE			
11	•	68209-84410	1	NYLON NUT			
12	•	68209-84420	1	RUBBER CAP			
13	•	68237-84310	1	THROTTLE CABLE ASSY			
14	•	68209-84440	6	SCREW			
15	•	68209-84450	1	BAND RIGHT			
16	•	68209-84460	1	BAND LEFT			
17	•	68209-84470	1	KNOB BOLT			
18	•	68209-84480	1	ADJUSTER ASSY			
19	•	68209-84490	1	PLUG			
20	•	68209-84500	1	SCREW			
21	•	68209-84510	1	SUB LEVER			
22	•	68209-84520	1	WASHER			
23	•	68209-84530	1	ADJ SPRING			
24	•	68209-84541	1	GRIP			
25	•	68209-84551	1	GRIP			
26	•	68209-84561	1	SCREW			

10. THROTTLE LEVER



KEY	LV	PART NUMBER	Q'TY	DESCRIPTION	REMARKS	NOTE1	NOTE2
27		68237-84340	2	SPACER			
28	• •	68237-84330	1	THROTTLE CABLE			
29	• •	68237-84320	1	SWITCH			



Index

Patrs Number	Key No.	Patrs Number	Key No.	Patrs Number	Key No.
01020-05600	7 - 30	19639-01100	9 - 6	22150-41230	3 - 4
01020-06700	1 - 14	20000-72230	5 - 12	22900-91180	9 - 2
01215-06300	8 - 42	20000-85221	8 - 3	62074-81320	7 - 27
01500-05041	4 - 8	20010-21211	2 - 3	68200-12210	1 - 4
01500-05041	4 - 11	20010-21211	2 - 6	68200-15010	1 - 8
01500-06051	4 - 3	20010-75190	6 - 7	68200-15140	1 - 10
01511-10061	5 - 3	20010-75210	6 - 8	68200-62112	4 - 19
01600-05131	4 - 9	20011-12260	1 - 5	68200-91032	8 - 23
01600-05131	7 - 31	20011-72110	5 - 10	68204-85020	8 - 2
01600-06151	4 - 4	20016-71660	5 - 7	68206-85340	8 - 5
01600-10251	5 - 4	20016-81140	7 - 18	68208-84410	4 - 30
01610-05080	7 - 32	20016-81280	7 - 15	68209-84321	10 - 2
01610-06080	1 - 15	20016-81420	7 - 11	68209-84331	10 - 3
01612-00600	4 - 21	20016-81450	7 - 6	68209-84340	10 - 4
02403-03100	5 - 2	20016-81510	7 - 12	68209-84350	10 - 5
09026-03001	9 - 3	20020-75180	6 - 6	68209-84360	10 - 6
09026-04001	9 - 4	20020-76111	6 - 17	68209-84370	10 - 7
09026-05001	9 - 5	20020-85540	8 - 13	68209-84380	10 - 8
11020-06200	8 - 29	20020-85540	8 - 16	68209-84390	10 - 9
11020-06250	8 - 34	20020-85540	8 - 19	68209-84400	10 - 10
11024-04140	7 - 38	20021-41310	3 - 3	68209-84410	10 - 11
11024-05120	1 - 16	20021-41330	3 - 5	68209-84420	10 - 12
11060-04160	6 - 16	20021-41342	3 - 6	68209-84440	10 - 14
11060-05162	2 - 15	20021-85540	8 - 21	68209-84450	10 - 15
11060-05201	5 - 13	20024-72220	5 - 11	68209-84460	10 - 16
1106005251	1 - 7	20024-75130	6 - 4	68209-84470	10 - 17
11060-05253	1 - 3	20024-75220	6 - 12	68209-84480	10 - 18
11060-05300	2 - 8	20024-75240	6 - 14	68209-84490	10 - 19
11060-06251	4 - 20	20028-32131	2 - 14	68209-84500	10 - 20
11060-06300	2 - 10	20035-85522	8 - 14	68209-84510	10 - 21
11060-06450	2 - 11	20036-81120	7 - 25	68209-84520	10 - 22
11203-03250	4 - 18	20036-81195	7 - 21	68209-84530	10 - 23
11206-04120	1 - 12	20036-81440	7 - 4	68209-84541	10 - 24
11270-03202	4 - 15	20036-81670	7 - 13	68209-84551	10 - 25
12492-50100	2 - 7	20089-81110	7 - 24	68209-84561	10 - 26
12900-62020	2 - 2	20089-81130	7 - 22	68232-71210	5 - 5
12900-62020	2 - 5	20089-81185	7 - 20	68232-81320	7 - 9
13000-13406	5 - 14	22011-97840	8 - 43	68237-81010	7 - 1
14352-01600	5 - 9	22100-81230	7 - 8	68237-84011	10 - 1
15401-10016	4 - 5	22100-81250	7 - 7	68237-84310	10 - 13
15401-10016	8 - 30	22100-81260	7 - 14	68237-84320	10 - 29
15401-10016	8 - 44	22104-31620	4 - 10	68237-84330	10 - 28
15401-20004	8 - 35	22115-85401	8 - 6	68237-84340	10 - 27
17901-06150	8 - 33	22118-85460	8 - 8	70029-15120	1 - 9
19402-00148	2 - 16	22128-85410	8 - 7	70029-15140	1 - 11
19404-00008	7 - 36	22128-85421	8 - 11	70029-72110	5 - 6
19404-00033	4 - 31	22128-85440	8 - 12	70030-81380	7 - 3
19420-00027	6 - 9	22128-85470	8 - 10	70097-81220	7 - 10
19420-00056	8 - 24	22128-85480	8 - 9	70097-81290	7 - 23

Index

Patrs Number	Key No.	Patrs Number	Key No.	Patrs Number	Key No.
70097-81310	7 - 17	72935-81711	7 - 28		
70097-81320	7 - 16	72935-82111	7 - 33		
70131-75120	6 - 3	72935-82120	7 - 35		
72451-17230	8 - 40	72935-82130	7 - 34		
72933-81250	7 - 26	72935-82210	7 - 37		
72933-81270	7 - 5	72935-82310	7 - 39		
72933-81411	7 - 2	72935-85111	8 - 1		
72933-81450	7 - 19	72935-85512	8 - 17		
72933-85350	8 - 4	72935-85530	8 - 15		
72933-85620	8 - 18	72935-85540	8 - 20		
72935-12111	1 - 1	72935-85550	8 - 22		
72935-12120	1 - 2	72935-86111	8 - 25		
72935-12221	1 - 6	72935-86120	8 - 26		
72935-15211	1 - 13	72935-86130	8 - 27		
72935-21101	2 - 1	72935-86411	8 - 28		
72935-21200	2 - 4	72935-86421	8 - 32		
72935-21220	2 - 9	72935-86431	8 - 36		
72935-21230	2 - 12	72935-86440	8 - 31		
7293531103	2 - 13	72935-87100	8 - 37		
72935-41110	3 - 1	72935-87111	8 - 38		
72935-41210	3 - 2	72935-87120	8 - 39		
72935-42000	3 - 7	72935-87210	8 - 41		
72935-61112	4 - 1	72935-87310	8 - 45		
72935-61120	4 - 2	72935-91000	9 - 1		
72935-61212	4 - 6				
72935-61220	4 - 7				
72935-61230	4 - 12				
72935-61310	4 - 13				
72935-61410	4 - 14				
72935-61420	4 - 16				
72935-61430	4 - 17				
72935-63110	4 - 22				
72935-63120	4 - 23				
72935-63210	4 - 24				
72935-63221	4 - 25				
72935-63231	4 - 26				
72935-63311	4 - 27				
72935-63331	4 - 29				
72935-63340	4 - 28				
72935-71200	5 - 1				
72935-72140	5 - 8				
72935-75101	6 - 1				
72935-75111	6 - 2				
72935-75170	6 - 5				
72935-75200	6 - 10				
72935-75210	6 - 11				
72935-75230	6 - 13				
72935-75310	6 - 15				
72935-81501	7 - 29				

YAMABIKO CORPORATION

7-2 SUEHIROCHO 1-CHOME, OHME, TOKYO 198-8760, JAPAN
PHONE: 81-428-32-6118. FAX: 81-428-32-6145.

shindaiwa[®]



EC1
No.