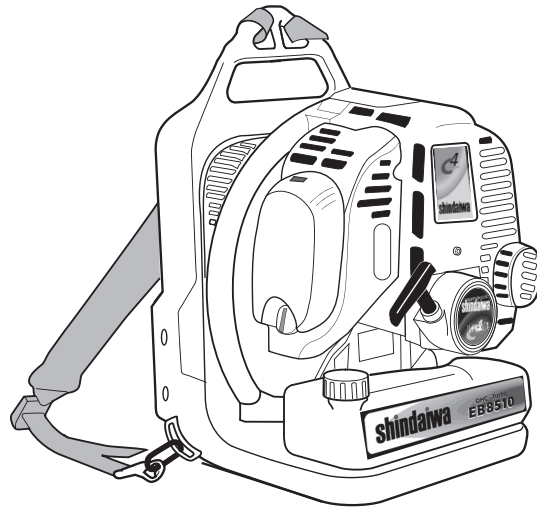


Shindaiwa Illustrated Parts List

EB8510 EC2 Blower



CYLINDER / MUFFLER	2
CRANKCASE	3
CRANKSHAFT / PISTON	4
VOLUTE	5
ROTOR / COIL ASSEMBLY	6
RECOIL STARTER	7
CARBURETOR / CLEANER	8
FUEL TANK	9
THROTTLE LEVER	10
BAND ASSEMBLY	11
TOOL SET	11

www.shindaiwa.com

11975 SW Herman Road

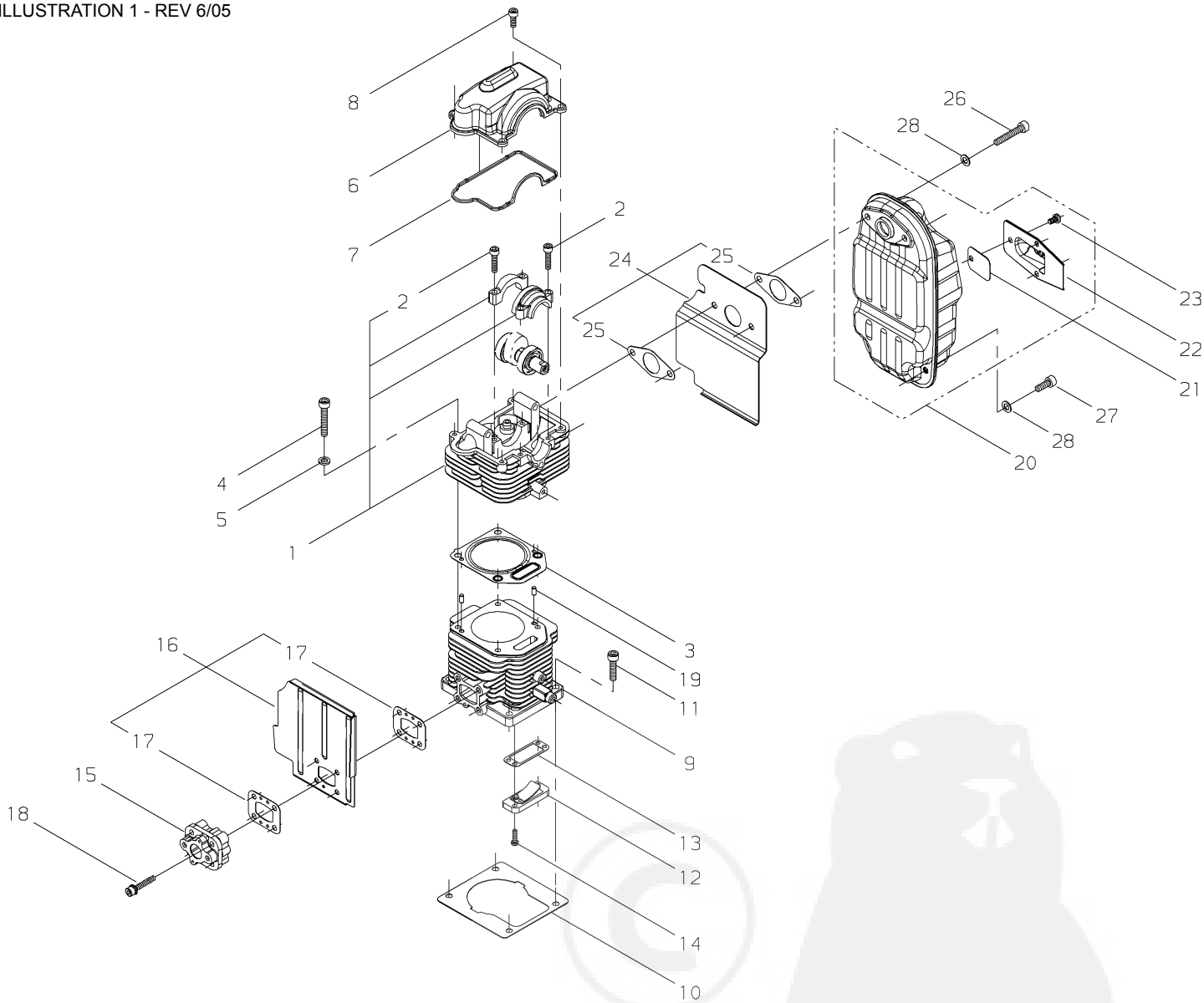
Tualatin, Oregon 97062, U.S.A.

1 + 503.692.3070 • fax 1 + 503.692.6696 •

shindaiwa

CYLINDER / MUFFLER

ILLUSTRATION 1 - REV 6/05

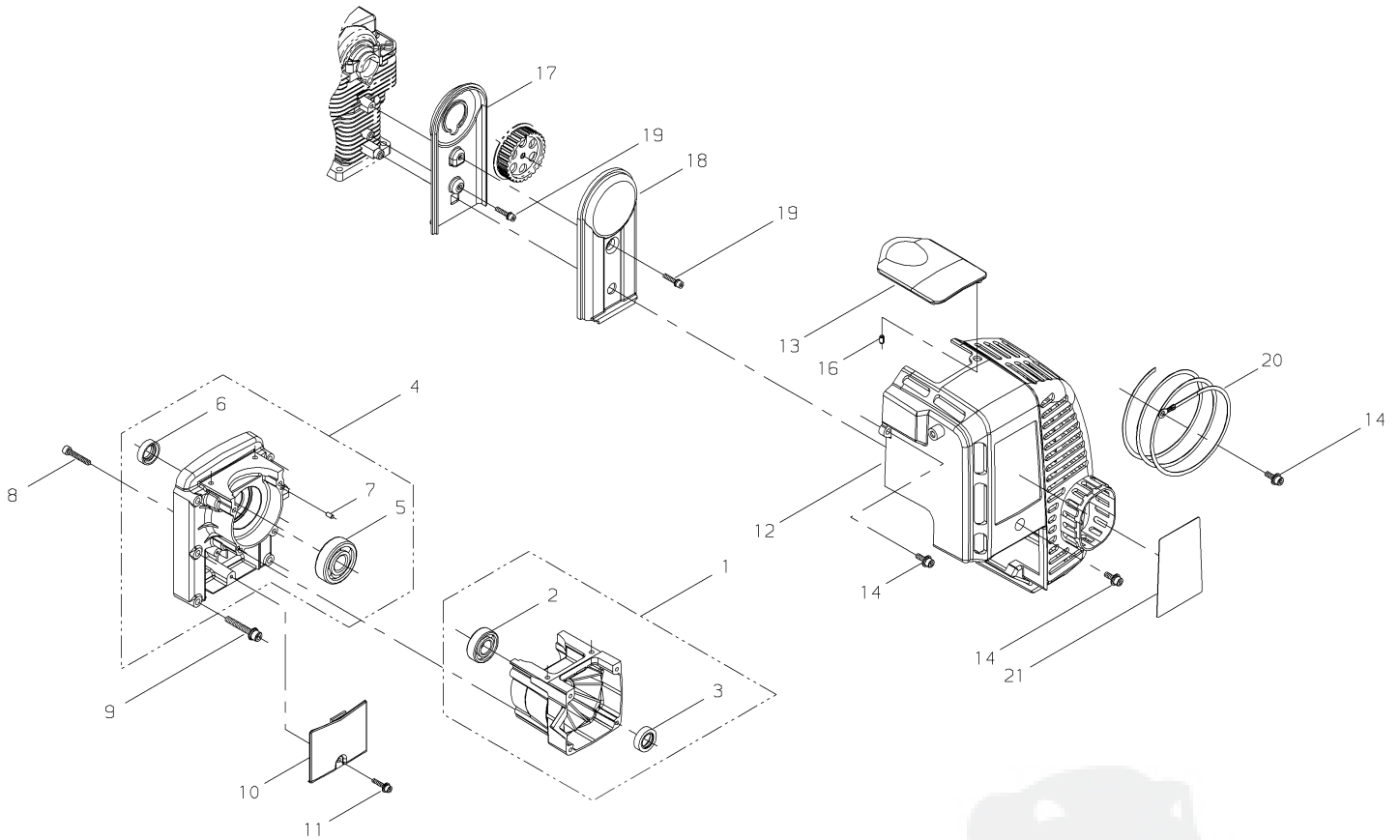


Ref. No	Part No.	Part Name	Q'ty
1-1	68900-11021	CYLINDER HEAD ASSEMBLY	1
2	01020-05220	*BOLT	4
3	68900-11260	GASKET	1
4	01020-06350	BOLT	4
5	11620-10001	WASHER	4
6	68900-11270	ROCKER ARM COVER	1
7	68900-11280	GASKET	1
8	01020-05140	BOLT	4
9	68900-12111	CYLINDER	1
10	68900-12121	GASKET	1
11	01020-06250	BOLT	4
12	68900-12310	REED VALVE ASSEMBLY	1
13	68900-12320	GASKET	1
14	01210-04140	SCREW	2

Ref. No	Part No.	Part Name	Q'ty
15	68900-12211	INSULATOR	1
16	68900-12332	BAFFLE PLATE COMP	1
17	68900-12220	GASKET	2
18	11022-05300	BOLT SW	4
19	12492-40080	ROLLER	2
20	68900-15010	MUFFLER ASSEMBLY	1
21	68900-15130	*SCREEN	1
22	68900-15160	*TAIL PLATE	1
23	01210-05086	*SCREW	3
24	68900-15210	GASKET	1
25	68900-15320	*GASKET	2
26	01020-06355	BOLT	2
27	01020-06160	BOLT	2
28	01610-06080	WASHER	4

CRANKCASE

ILLUSTRATION 2 - REV 6/05

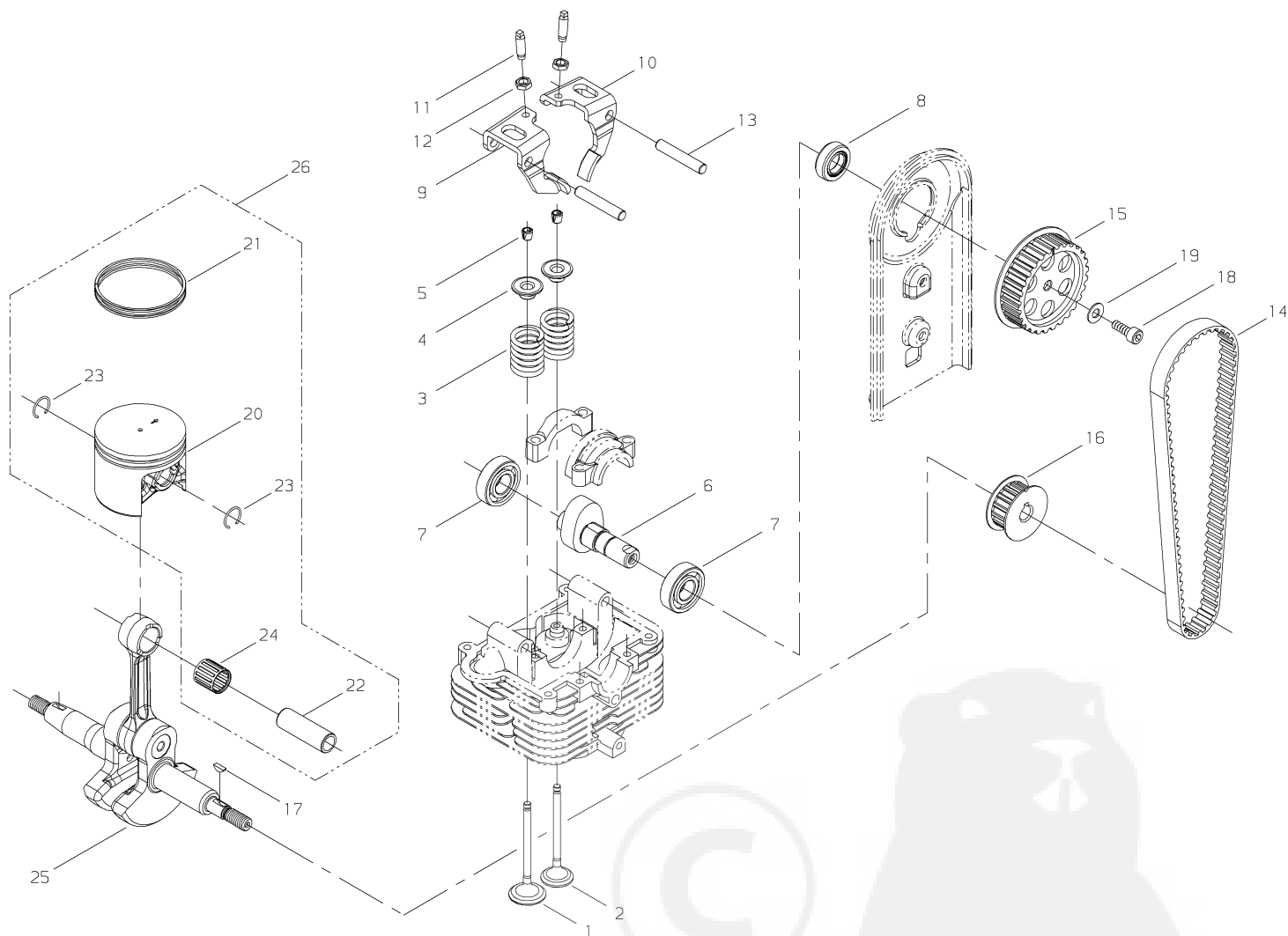


Ref. No	Part No.	Part Name	Q'ty
2-1	68900-21011	CRANKCASE S COMP	1
2	12900-62020	*BEARING	1
3	12310-12000	*OIL SEAL	1
4	68900-21020	CRANKCASE M COMP	1
5	02030-06303	*BEARING	1
6	12310-12000	*OIL SEAL	1
7	12492-40080	*ROLLER	2
8	01020-05300	BOLT	4
9	11060-06400	BOLT ADHESIVE	6
10	68900-21310	COVER	1
11	11024-04200	BOLT SW	1
12	68900-31110	ENGINE COVER	1
13	68900-31310	GROMMET	1
14	11024-05160	BOLT PMSPW	4
16	02427-40085	PIN	1
17	68900-32110	BELT CASE	1
18	68900-32120	BELT COVER	1
19	11022-05120	BOLT SPW	2
20	14395-09100	LEAD WIRE	1
21	68900-91330	LABEL TRADE	1

* Denotes item is part of an assembly ** Denotes item is part of a sub-assembly

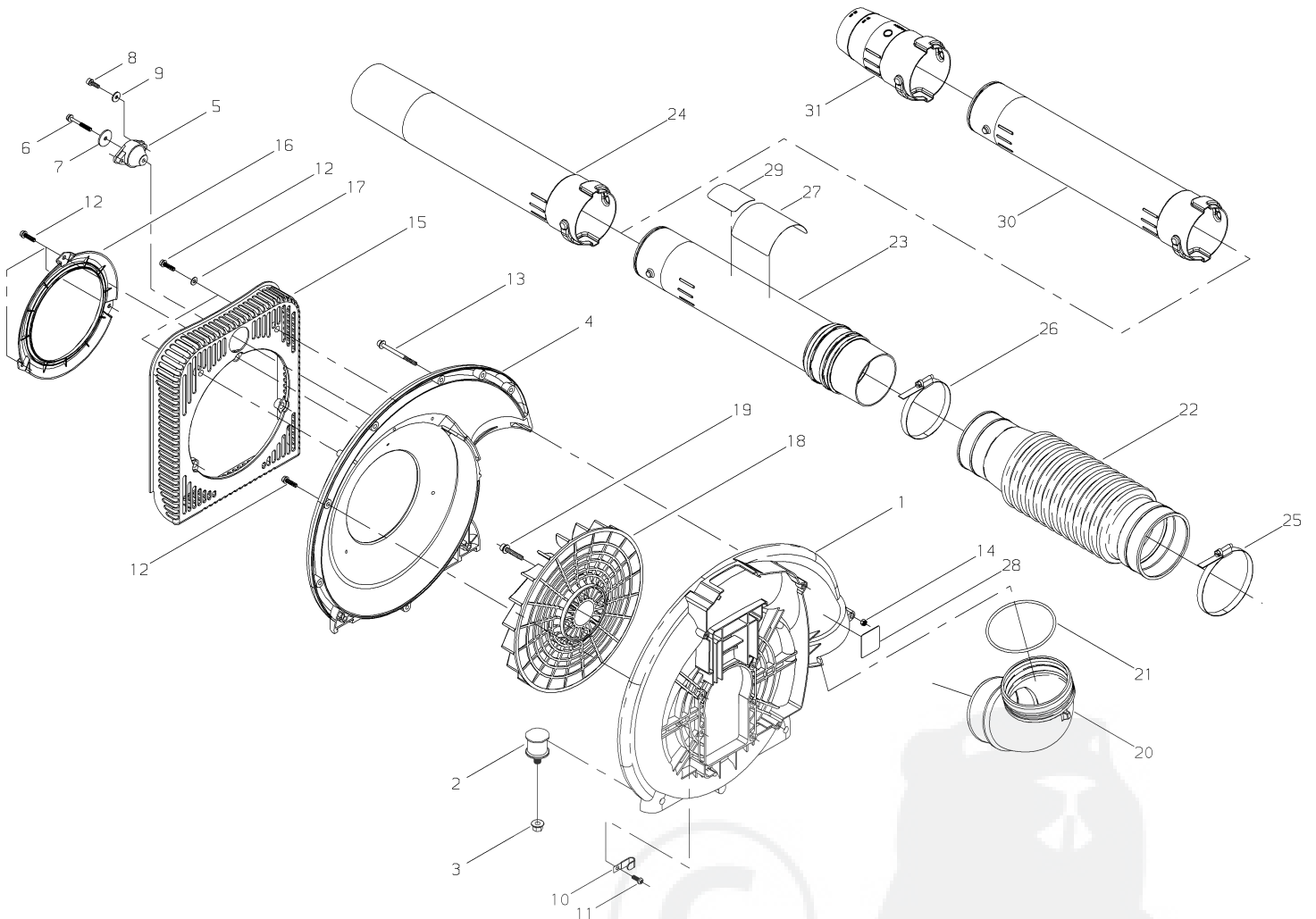
CRANKSHAFT / PISTON

ILLUSTRATION 3 - REV 6/05



Ref. No	Part No.	Part Name	Q'ty
3-1	68900-11210	INTAKE VALVE	1
2	68900-11220	EXHAUST VALVE	1
3	68900-11230	VALVE SPRING	2
4	68900-11240	RETAINER	2
5	68900-11250	COTTER	4
6	68900-13110	CAMSHAFT	1
7	02030-06001	BEARING	2
8	62901-42260	OIL SEAL	1
9	68900-13120	ROCKER ARM	1
10	68900-13130	ROCKER ARM	1
11	68900-13140	ADJUST SCREW	2
12	62901-44231	NUT	2
13	12492-60350	ROLLER	2

Ref. No	Part No.	Part Name	Q'ty
14	68900-13150	BELT	1
15	68900-13160	CAM PULLEY	1
16	68900-13170	CRANK PULLEY	1
17	12408-03100	KEY	1
18	01020-05140	BOLT	1
19	01612-00500	WASHER	1
26	68900-98380	PISTON SET	1
20	68900-41110	*PISTON	1
21	68900-41120	*PISTON RING	2
22	22169-41220	*PISTON PIN	1
23	22155-41230	*SNAP RING	2
24	22155-41281	*BEARING SE	1
25	68900-42010	CRANKSHAFT	1



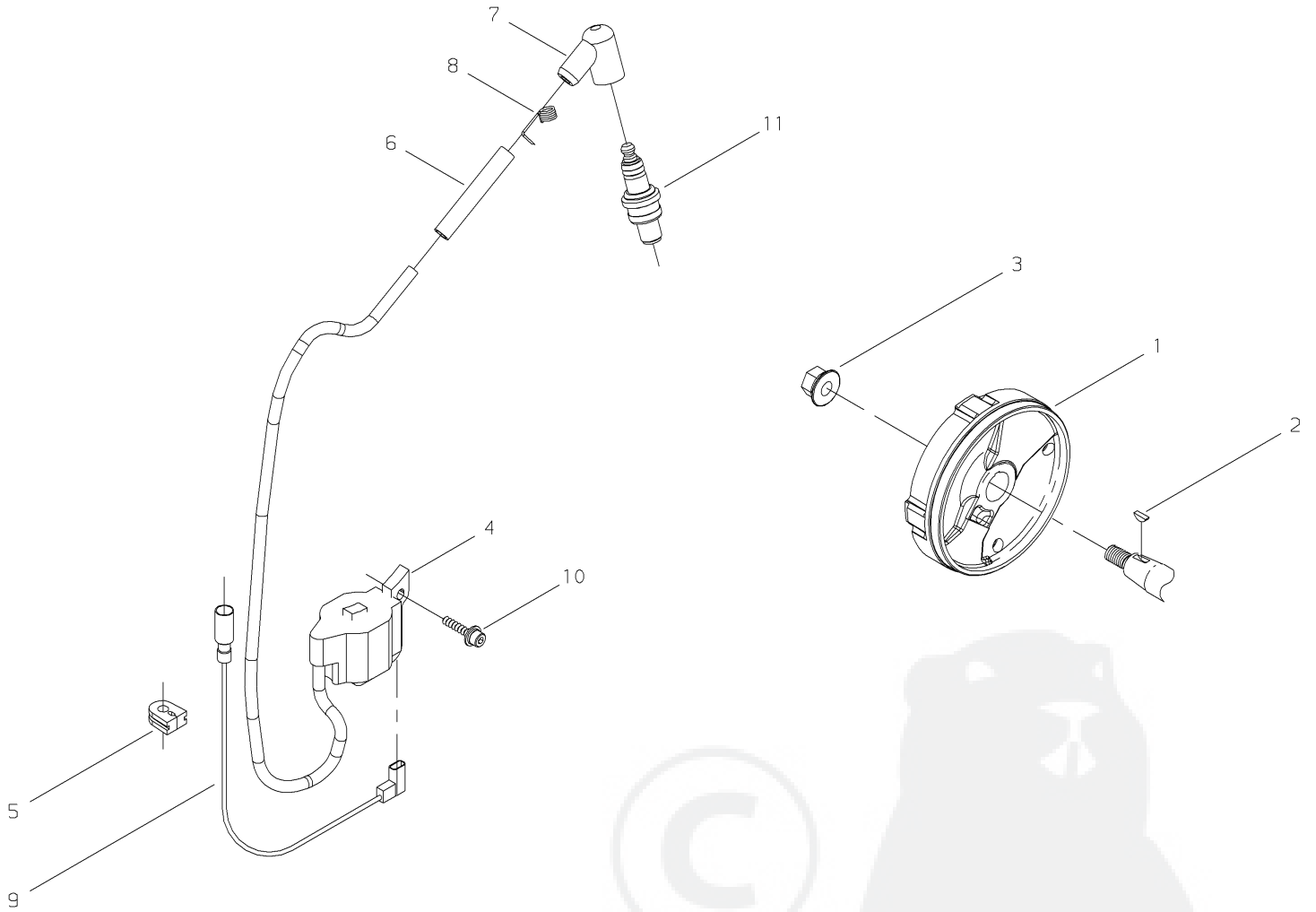
Ref. No	Part No.	Part Name	Q'ty
4-1	68900-61112	VOLUTE CASE	1
2	68206-61320	AV RUBBER	2
3	11526-06202	FLANGE NUT	2
4	68900-61120	VOLUTE COVER	1
5	68206-61330	AV RUBBER	1
6	68206-61340	BOLT TAPPING	1
7	15401-20009	COLLAR	1
8	11020-05160	BOLT SW	2
9	15401-10010	COLLAR	2
10	68206-71370	CLAMP	1
11	01280-05142	SCREW TAPPING	1
12	70140-31480	BOLT PC	14
13	11024-05700	BOLT SW	2
14	11500-05001	NUT	2
15	68900-61130	INTAKE COVER	1

Ref. No	Part No.	Part Name	Q'ty
16	68900-61310	FUNNEL	1
17	01613-05080	WASHER	2
18	17343-07000	FAN	1
19	11024-06351	BOLT SW	1
20	68900-63111	BEND PIPE	1
21	68900-63330	O-RING	1
22	68900-63120	FLEXIBLE PIPE	1
23	68900-63130	JOINT PIPE	1
24	68900-63150	NOZZLE	1
25	68900-63340	CLAMP	1
26	68900-63350	CLAMP	1
27	68900-91340	LABEL TRADE	1
28	19404-00036	LABEL DECIBEL	1
29	19402-00304	LABEL CAUTION	1
30	68900-63360	NOZZLE	1
30	68900-63140	PIPE	1

* Denotes item is part of an assembly ** Denotes item is part of a sub-assembly

ROTOR / COIL ASSEMBLY

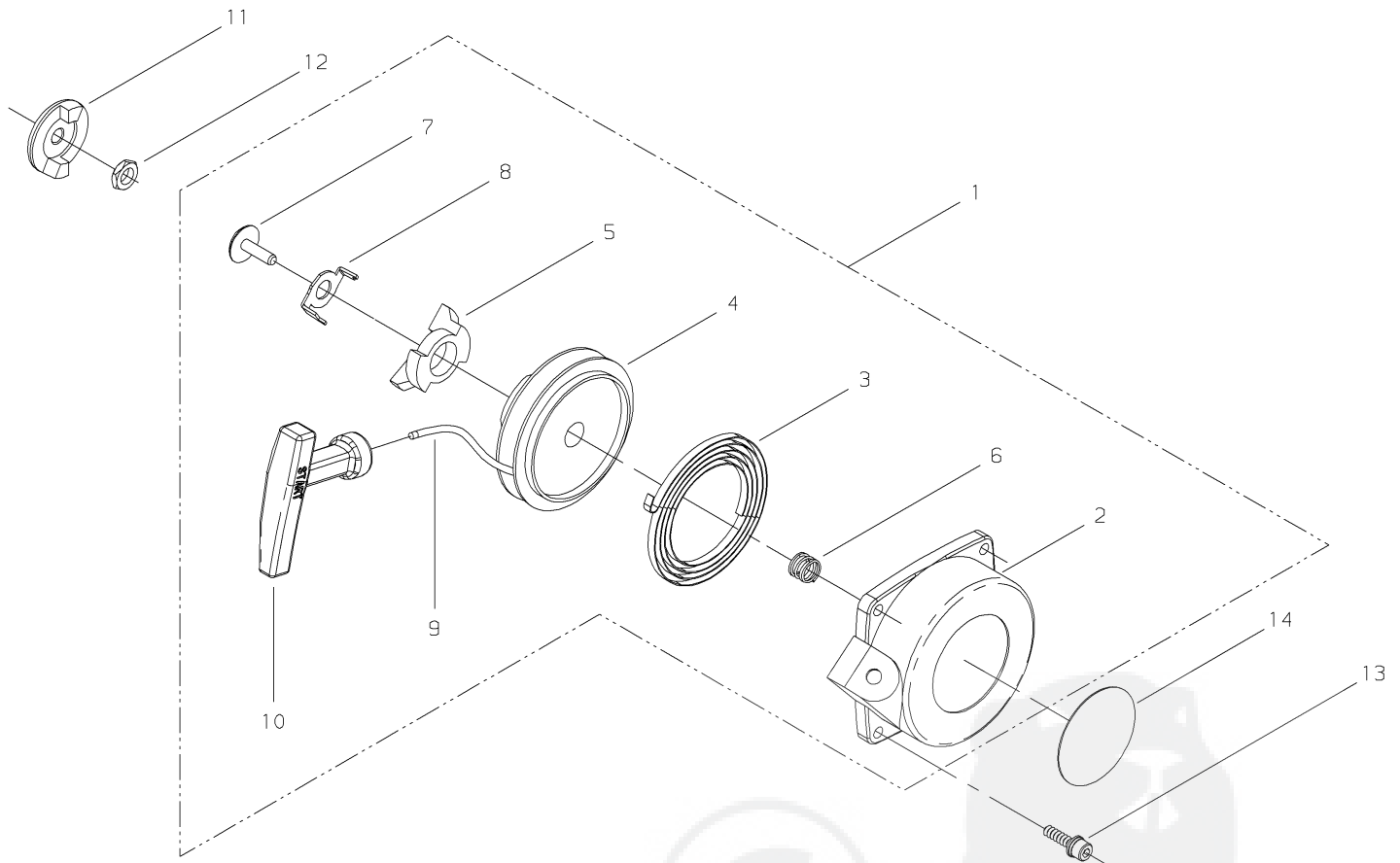
ILLUSTRATION 5 - REV 6/05



Ref. No	Part No.	Part Name	Q'ty
5- 1	68900-71111	ROTOR	1
2	12408-03100	KEY	1
3	20035-71220	NUT	1
4	68900-71020	COIL ASSEMBLY	1
5	68900-71310	GROMMET	1
6	70168-71660	TUBE	1
7	62901-71250	PLUG CAP	1
8	22154-72230	SPRING PLUG	1
9	14350-01701	LEAD WIRE	2
10	11024-04200	BOLT SW	2
11	CMR5H	SPARKPLUG	1

RECOIL STARTER

ILLUSTRATION 6 - REV 6/05

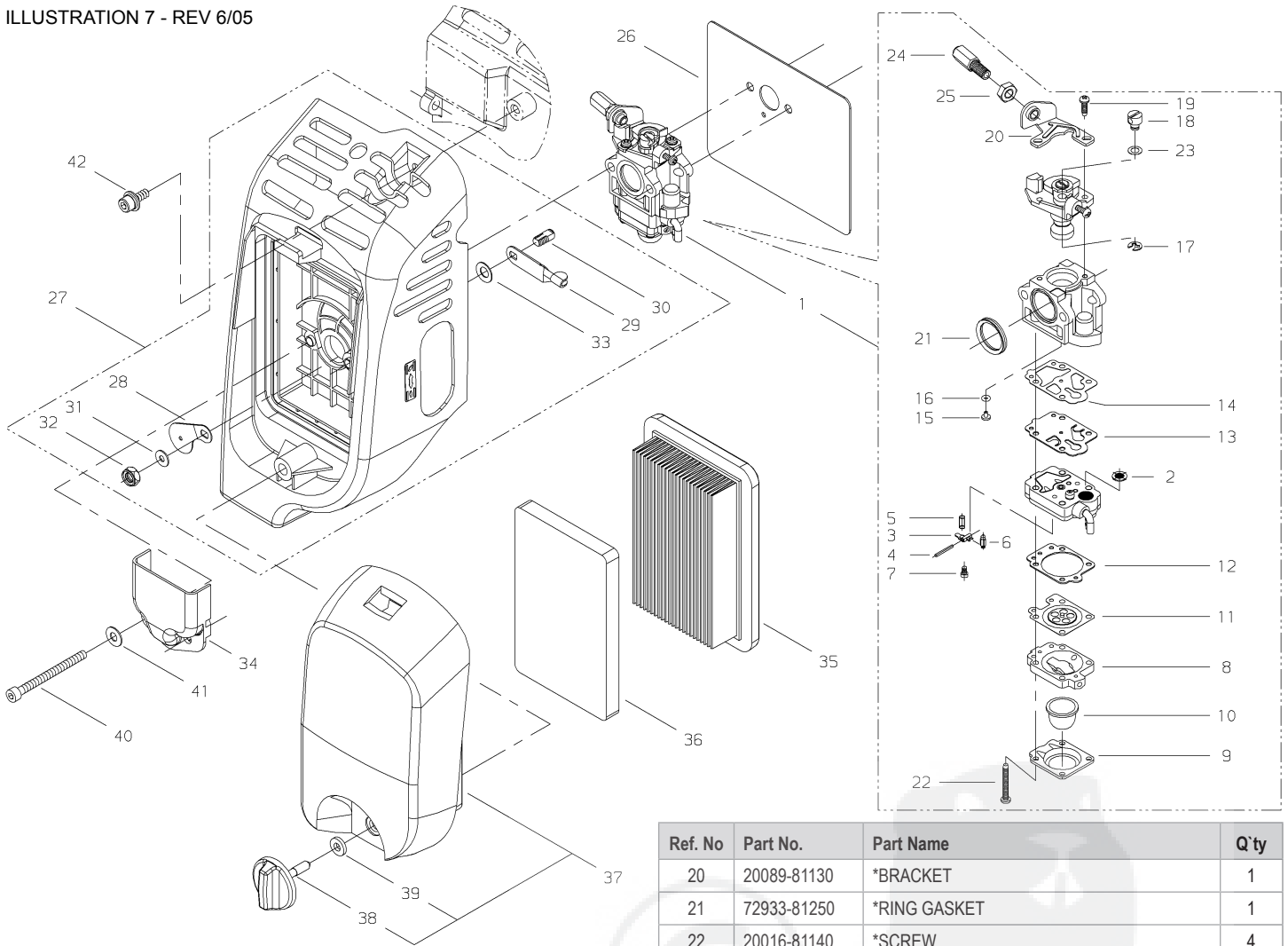


Ref. No	Part No.	Part Name	Q'ty
6-1	68900-75010	RECOIL STARTER ASSEMBLY	1
2	68900-75110	*STARTER CASE	1
3	68900-75130	*RECOIL SPRING	1
4	68900-75120	*REEL	1
5	68900-75310	*DOG	1
6	68900-75320	*BRAKE SPRING	1
7	68900-75330	*SCREW	1
8	68900-75340	*RETAINER	1
9	68900-75140	*ROPE	1
10	68900-75150	*KNOB	1
11	68900-75210	STARTER PULLEY	1
12	01511-08051	NUT	1
13	11022-05200	BOLT SPW	4
14	19420-00070	LABEL TRADE	1

* Denotes item is part of an assembly ** Denotes item is part of a sub-assembly

CARBURETOR / CLEANER

ILLUSTRATION 7 - REV 6/05

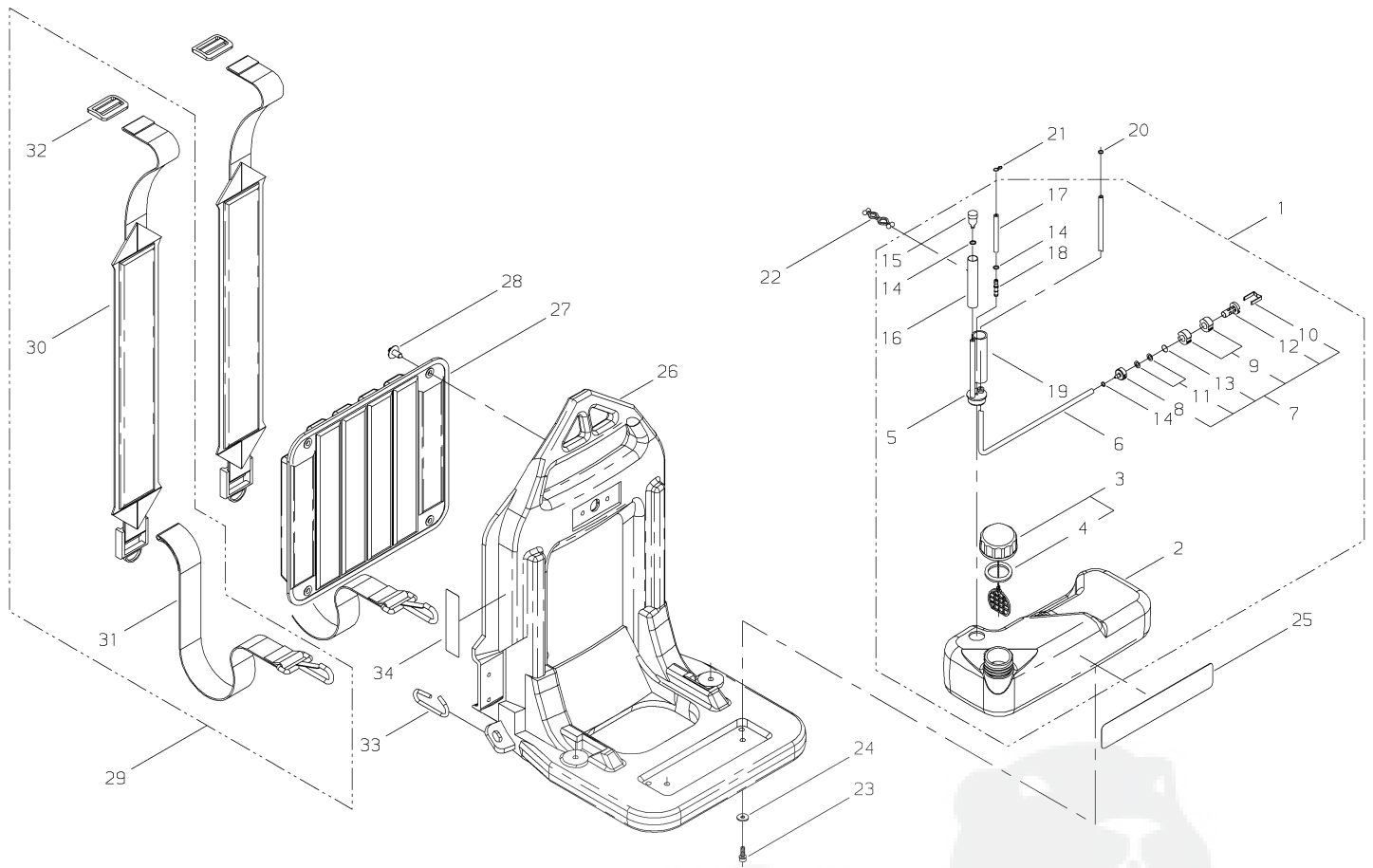


Ref. No	Part No.	Part Name	Q'ty
7-1	68900-81011	CARBURETOR ASSEMBLY	1
2	70030-81380	*SCREEN	1
3	22100-81230	*LEVER	1
4	22100-81250	*PIN	1
5	72933-81270	*SPRING	1
6	20036-81440	*NEEDLE VALVE	1
7	20016-81450	*SCREW	1
8	20016-81420	*PUMP BASE COMP	1
9	20016-81510	*PUMP COVER	1
10	20036-81670	*PRIMER PUMP	1
11	37013-81310	*DIAPHRAGM	1
12	20016-81280	*GASKET	1
13	70097-81320	*DIAPHRAGM	1
14	70097-81310	*GASKET PUMP	1
15	68900-81330	*MAIN JET	1
16	70097-81220	*O-RING	1
17	20036-81195	*E-RING	1
18	72933-81450	*SWIVEL	1
19	70097-81290	*SCREW	2

Ref. No	Part No.	Part Name	Q'ty
20	20089-81130	*BRACKET	1
21	72933-81250	*RING GASKET	1
22	20016-81140	*SCREW	4
23	20089-81185	*WASHER	1
24	20089-81110	*CABLE ADJUSTER	1
25	20036-81120	*NUT	1
26	68900-81210	GASKET	1
27	68900-82010	CLEANER BODY ASSEMBLY	1
28	20018-81711	*CHOKE PLATE	1
29	20870-82120	*CHOKE LEVER	1
30	20110-82140	*CHOKE SHAFT	1
31	01600-06151	*SPRING WASHER	1
32	11524-06211	*U NUT	1
33	20024-81790	*CONE WASHER	1
34	68900-82311	PLATE	1
35	68900-82120	FILTER	1
36	68900-82320	PRIFILTER	1
37	68900-82030	CLEANER COVER ASSEMBLY	1
38	22182-31220	*KNOB CLEANER COVER	1
39	23627-21220	*COLLAR	1
40	01020-05650	BOLT	2
41	01612-00500	WASHER	2
42	11024-05160	BOLT PMSPW	1

FUEL TANK

ILLUSTRATION 8 - REV 6/05



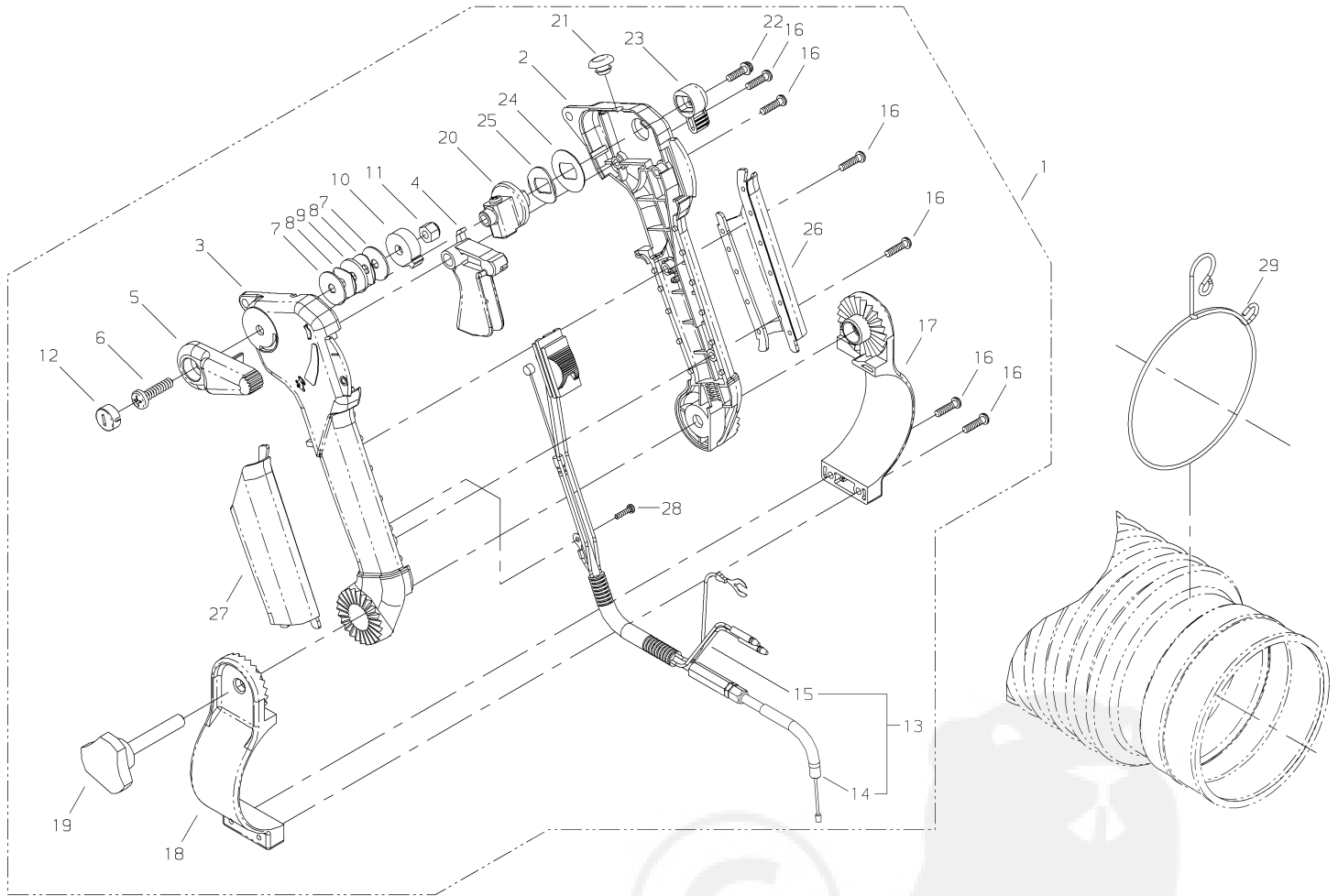
Ref. No	Part No.	Part Name	Q'ty
8- 1	68900-85010	FUEL TANK ASSEMBLY	1
2	68206-85110	*FUEL TANK	1
3	68204-85020	*FUEL CAP ASSEMBLY	1
4	20000-85221	**GASKET	1
5	72933-85350	*GROMMET	1
6	68900-85310	*FUEL PIPE	1
7	22115-85401	*FUEL FILTER SUB ASSEMBLY	1
8	22128-85410	**FUEL LINE WEIGHT	1
9	22128-85421	**FILTER	2
10	22128-85440	**CLIP FILTER	1
11	22118-85460	**SCREEN	2
12	22128-85470	**SLEEVE	1
13	22128-85480	**RING	1
14	20020-85540	*CLIP	3
15	20035-85522	*VALVE	1
16	72935-85530	*PIPE	1
17	68900-85320	*PIPE	1

Ref. No	Part No.	Part Name	Q'ty
18	72933-85620	*JOINT	1
19	68206-85330	*PIPE	1
20	20020-85540	CLIP	1
21	37013-85310	CLIP	1
22	72935-85550	CLIP	1
23	11060-05140	BOLT ADHESIVE	2
24	15401-10010	COLLAR	2
25	68900-91320	LABEL TRADE	1
26	68206-86111	FRAME	1
27	72935-86120	PAD	1
28	72935-86130	CLIP	4
29	68206-87010	BAND ASSEMBLY	2
30	68206-87110	*BAND	1
31	72935-87120	*BAND	1
32	72451-17230	*BUCKLE	1
33	72935-87310	RING	2
34	19402-00148	LABEL CAUTION	1

* Denotes item is part of an assembly ** Denotes item is part of a sub-assembly

THROTTLE LEVER

ILLUSTRATION 10 - REV 6/05

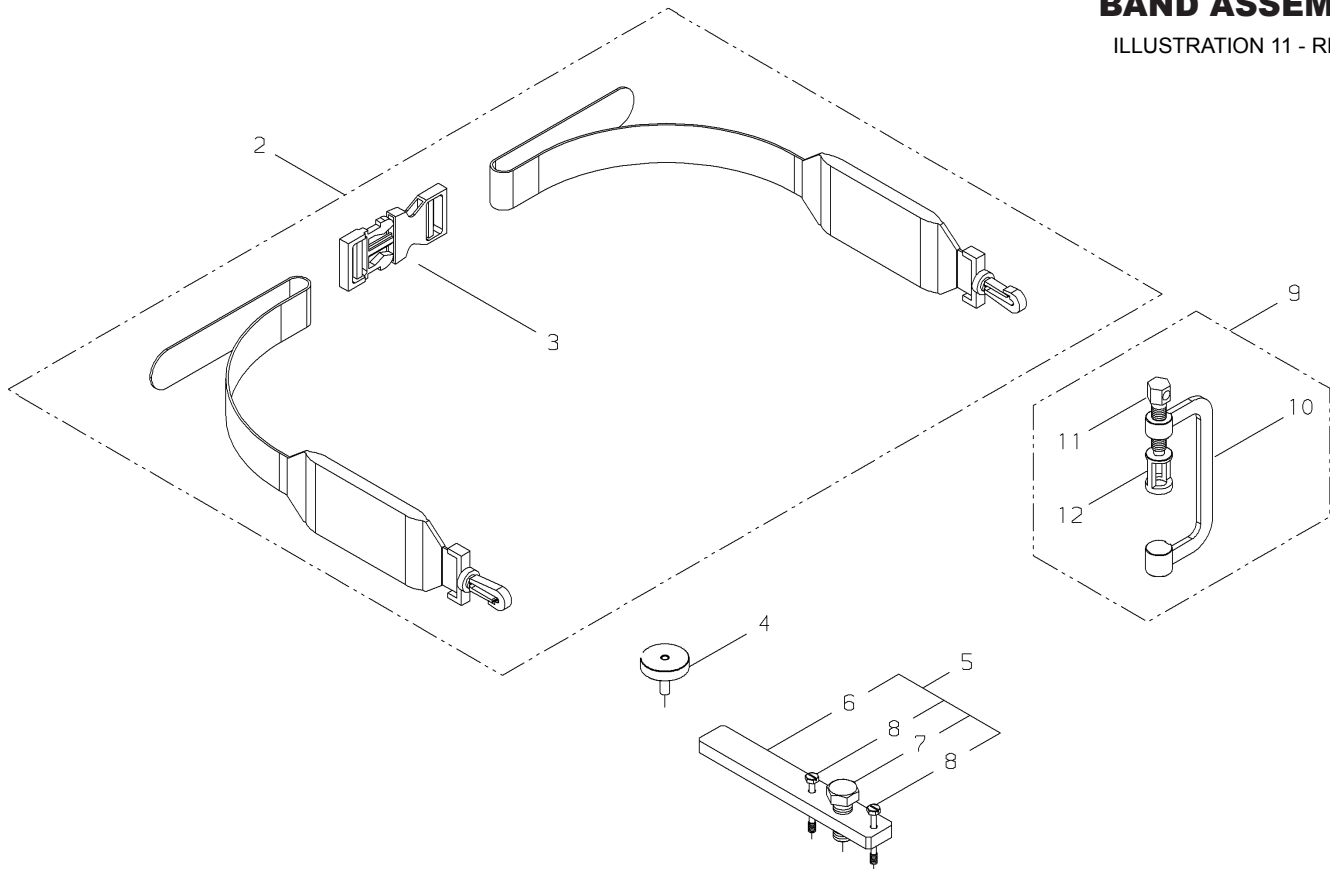


Ref. No	Part No.	Part Name	Q'ty
10-1	68901-84010	THROTTLE LEVER ASSEMBLY	1
2	68209-84321	*BODY RIGHT	1
3	68209-84331	*BODY LEFT	1
4	68209-84340	*THROTTLE LEVER	1
5	68209-84350	*LOCK LEVER	1
6	68209-84360	*ADJUST BOLT	1
7	68209-84370	*WASHER	2
8	68209-84380	*ADJ SPRING	2
9	68209-84390	*WASHER	1
10	68209-84400	*PLATE	1
11	68209-84410	*NYLON NUT	1
12	68209-84420	*RUBBER CAP	1
13	68901-84320	*THROTTLE CABLE ASSEMBLY	1
14	68901-84330	**THROTTLE CABLE	1
15	68901-84340	**SWITCH	1

Ref. No	Part No.	Part Name	Q'ty
16	68209-84440	*SCREW	6
17	68209-84450	*BAND RIGHT	1
18	68209-84460	*BAND LEFT	1
19	68209-84470	*KNOB BOLT	1
20	68209-84480	*ADJUSTER ASSEMBLY	1
21	68209-84490	*PLUG	1
22	68209-84500	*SCREW	1
23	68209-84510	*SUBLEVER	1
24	68209-84520	*WASHER	1
25	68209-84530	*ADJ SPRING	1
26	68209-84541	*GRIP	1
27	68209-84551	*GRIP	1
28	68209-84561	*SCREW	1
29	68901-84311	CLAMP	1

BAND ASSEMBLY

ILLUSTRATION 11 - REV 6/05

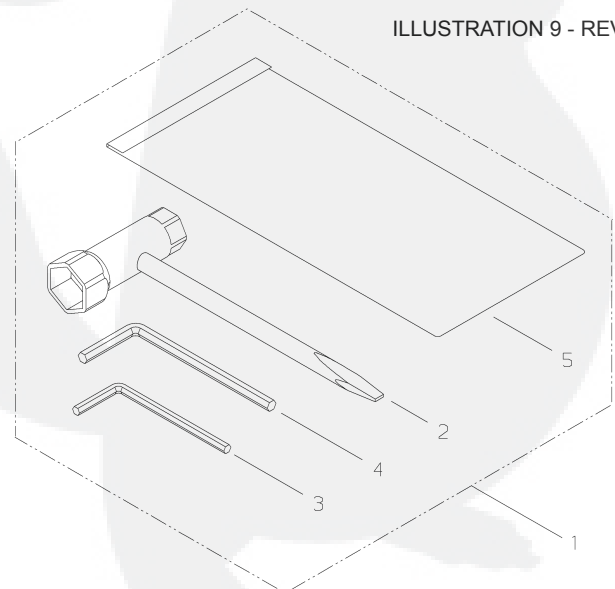


Ref. No	Part No.	Part Name	Q'ty
11-2	68900-87030	BAND ASSEMBLY	1
3	68900-87310	*BUCKLE	1
4	68900-98310	ADJUST WRENCH	1
5	68900-98320	PULLER ASSEMBLY	1
6	68900-98330	*LEVER	1

Ref. No	Part No.	Part Name	Q'ty
7	22100-96121	*CENTERBOLT	1
8	22102-96130	*BOLT	2
9	68900-98340	SPRING COMPRESSOR	1
10	68900-98350	*FRAME	1
11	68900-98360	*SHAFT BOLT	1
12	68900-98370	*ADAPTER	1

TOOL SET

ILLUSTRATION 9 - REV 6/05



Ref. No	Part No.	Part Name	Q'ty
9-1	68900-92310	TOOLSET	1
2	22580-91180	*PLUG WRENCH	1
3	09026-04001	*HEX A WRENCH 5MM	1
4	09026-05001	*HEX A WRENCH 6MM	1
5	19639-01100	*POLYBAG	1

* Denotes item is part of an assembly ** Denotes item is part of a sub-assembly



shindaiwa

www.shindaiwa.com

11975 SW Herman Road, Tualatin, Oregon 97062, U.S.A.

1 + 503.692.3070 • fax 1 + 503.692.6696 •

Item #xxxx Effective 06/05