

# Shindaiwa Illustrated Parts List

## EB630 CE Blower

---

CYLINDER / MUFFLER .....	2
CRANKCASE .....	3
PISTON / CRANKSHAFT .....	4
VOLUTE / THROTTLE LEVER .....	5
ROTOR / COIL SPRING .....	6
RECOIL STARTER .....	7
CARBURETOR / CLEANER .....	8
CARBURETOR / CLEANER .....	9
FUEL TANK .....	10
TOOL SET .....	11

[www.shindaiwa.com](http://www.shindaiwa.com)

11975 SW Herman Road

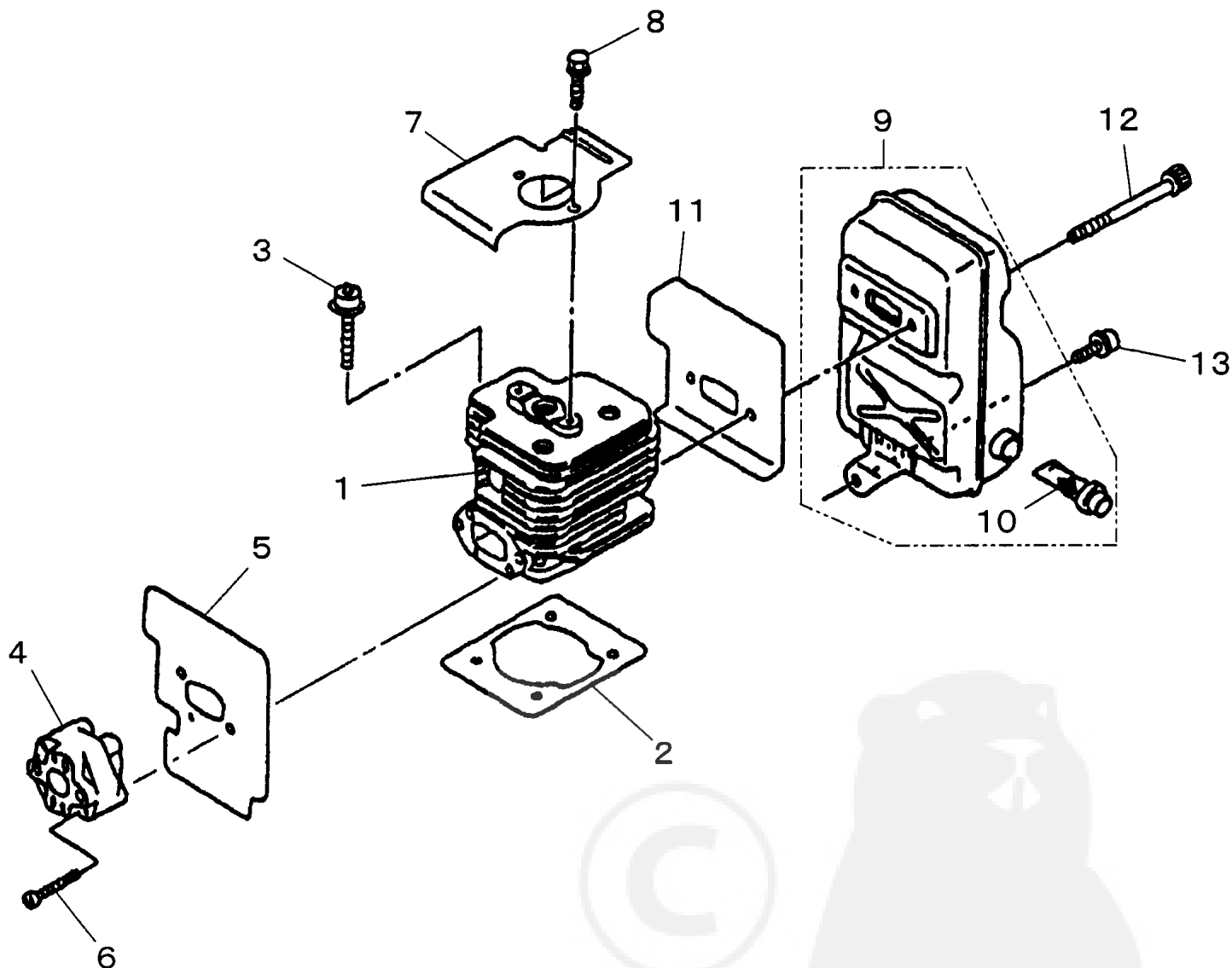
Tualatin, Oregon 97062, U.S.A.

1 + 503.692.3070 • fax 1 + 503.692.6696 •

**shindaiwa**

## CYLINDER / MUFFLER

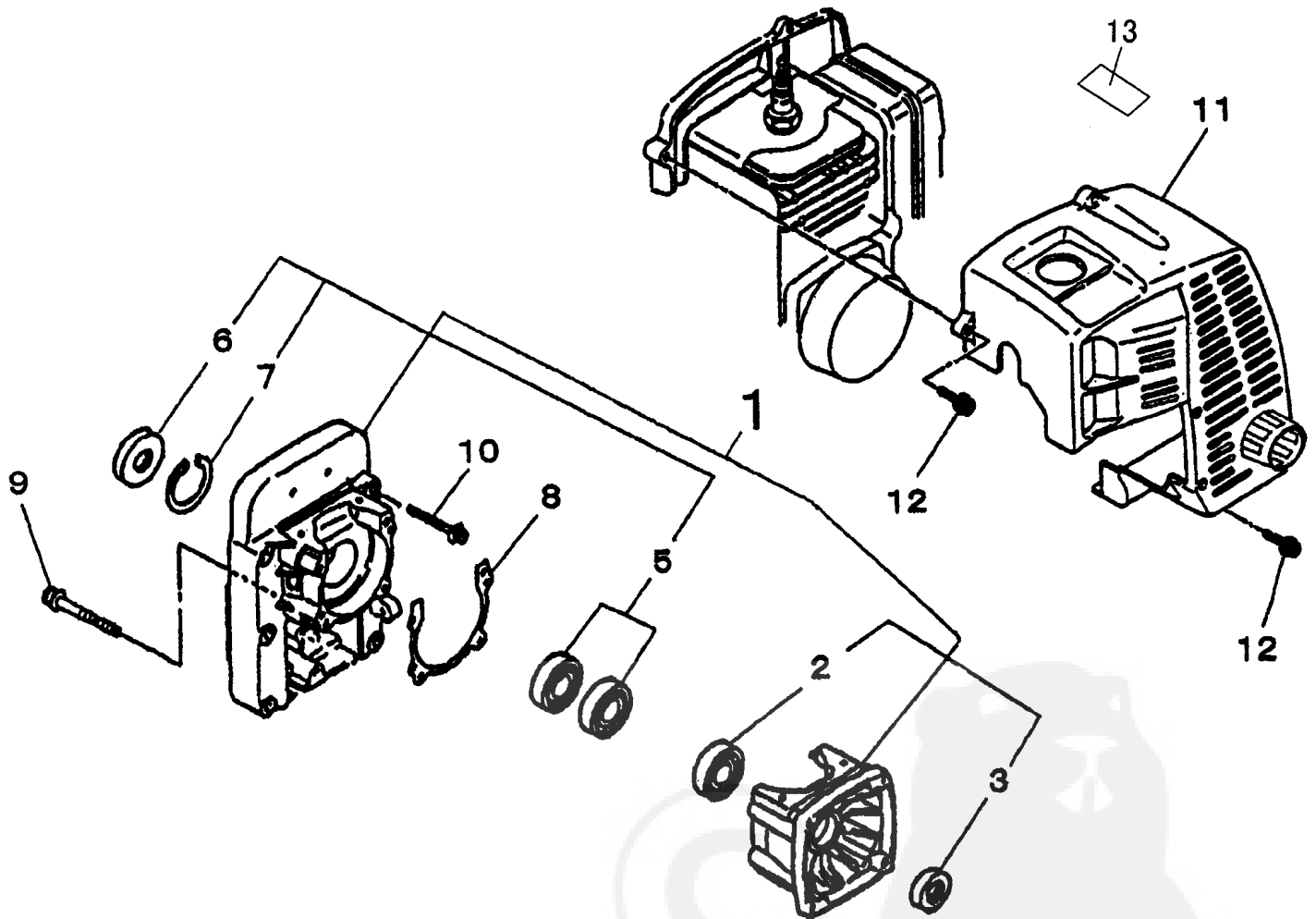
ILLUSTRATION 1 - REV 11/02



Ref. No	Part No.	Part Name	Q'ty
1-1	68206-12110	CYLINDER	1
2	68206-12120	GASKET CYLINDER	1
3	68206-12310	BOLT	4
4	68206-12210	INSULATOR	1
5	68206-12220	GASKET INSULATOR	1
6	11206-05350	SCREW PMSPW	2
7	68206-12320	CYLINDER COVER	1
8	68206-12330	BOLT	1
9	68206-15010	MUFFLER ASSEMBLY	1
10	68206-15130	*SPARK ARRESTER	1
11	68206-15210	GASKET MUFFLER	1
12	11022-06700	BOLT SPW	2
13	68206-15310	FLANGE BOLT	1

CRANKCASE

ILLUSTRATION 2 - REV 11/02

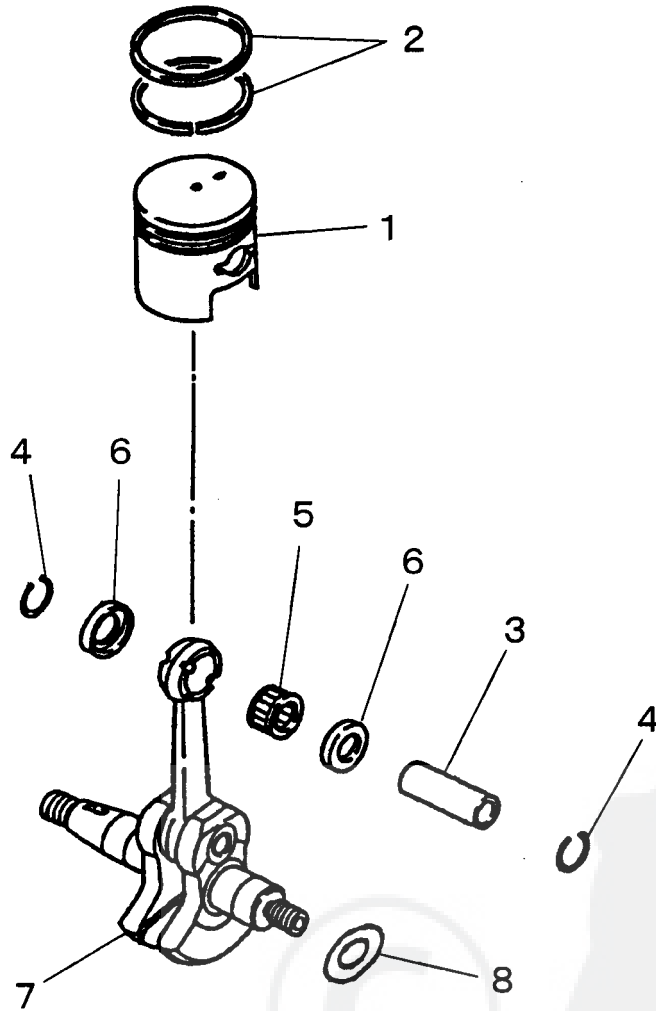


Ref. No	Part No.	Part Name	Q'ty
2-1	68206-98021	CRANKCASE ASSEMBLY	1
2	68206-21350	BEARING	1
3	68206-21120	OIL SEAL	1
5	68206-21350	BEARING	2
6	68206-21220	OIL SEAL	1
7	68206-21310	SNAP RING	1
8	68206-21320	GASKET	1
9	01020-05300	BOLT	4
10	11060-06400	BOLT ADHESIVE	6
11	68206-31111	ENGINE COVER	1
12	70140-31480	BOLT PC	4
13	68208-91010	LABEL NAME	1

\* Denotes item is part of an assembly \*\* Denotes item is part of a sub-assembly

## PISTON / CRANKSHAFT

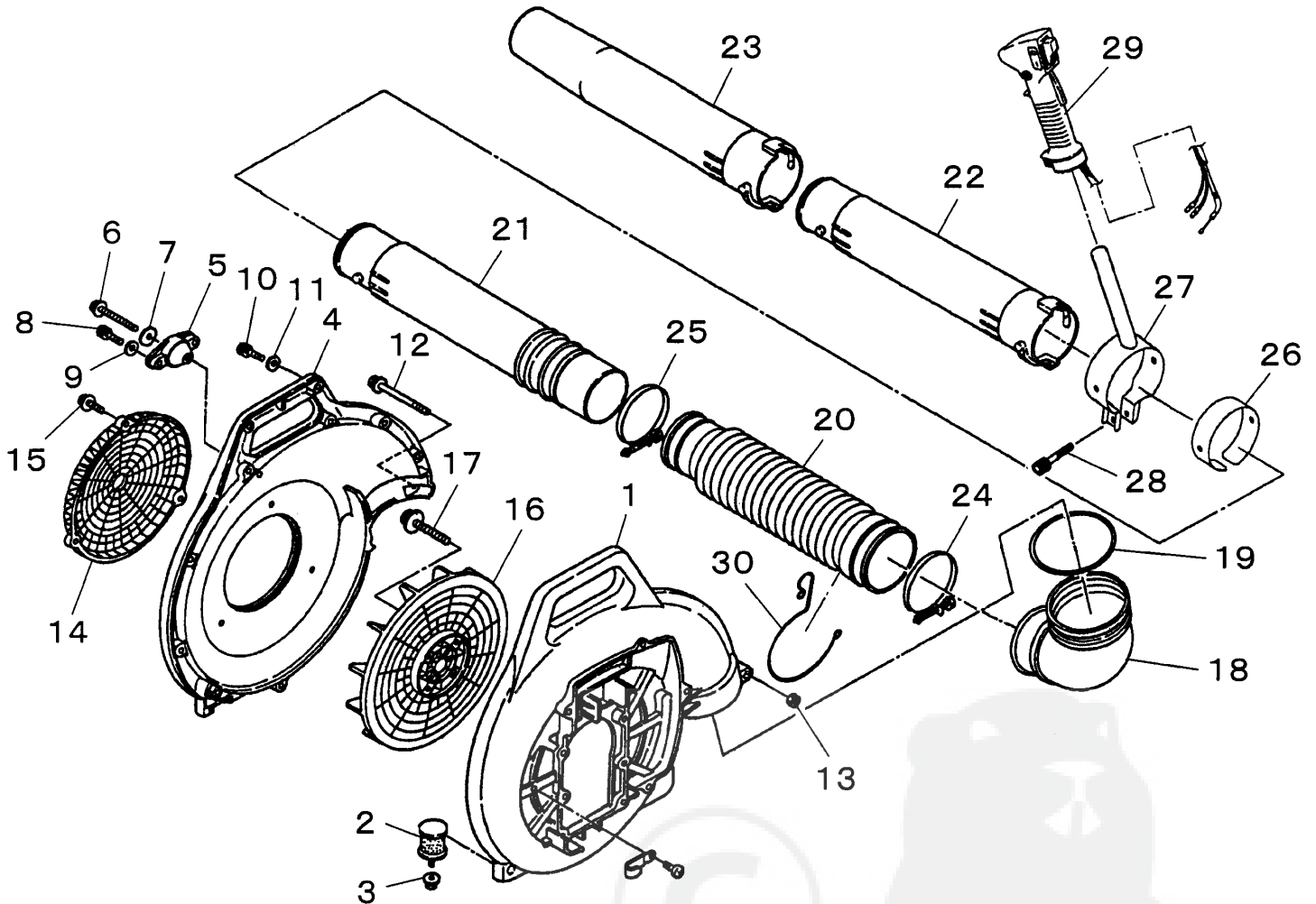
ILLUSTRATION 3 - REV 11/02



Ref. No	Part No.	Part Name	Q'ty
3-1	68206-41110	PISTON	1
2	68206-41120	PISTON RING	2
3	68206-41210	PISTON PIN	1
4	68206-41220	SNAP RING	2
5	68206-41230	BEARING SE	1
6	68206-41240	THRUST WASHER	2
7	68206-42010	CRANKSHAFT	1
8	68206-42310	SHIM	1

VOLUTE / THROTTLE LEVER

ILLUSTRATION 4 - REV 11/02



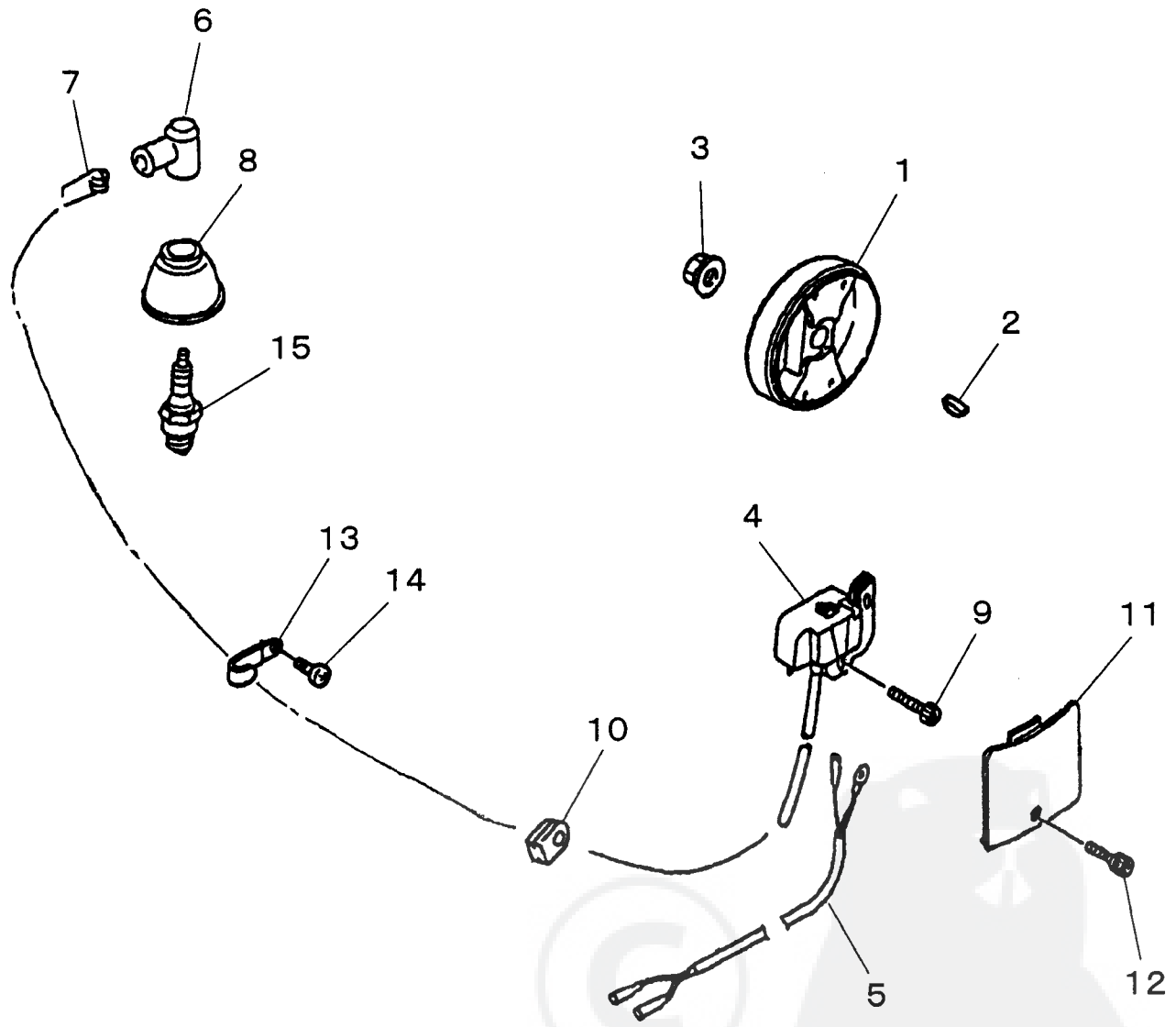
Ref. No	Part No.	Part Name	Q'ty
4-1	68206-61110	VOLUTE CASE	1
2	68206-61320	AV RUBBER	2
3	11526-06202	FLANGE NUT	2
4	68206-61121	VOLUTE COVER	1
5	68206-61330	AV RUBBER	1
6	68206-61340	BOLT TAPPING	1
7	15401-20009	COLLAR	1
8	11020-05160	BOLT SW	2
9	15401-10010	COLLAR	2
10	70140-31480	BOLT PC	11
11	01610-05080	WASHER	11
12	11024-05700	BOLT SW	2
13	01500-05041	NUT	2
14	68206-61130	INTAKE COVER	1
15	68206-61360	BOLT TAPPING	3

Ref. No	Part No.	Part Name	Q'ty
16	68206-62110	FAN	1
17	68206-62310	BOLT SLPW	4
18	68206-63110	BEND PIPE	1
19	68206-63330	O-RING	1
20	68206-63121	FLEXIBLE PIPE	1
21	68206-63130	JOINT PIPE	1
22	68206-63140	PIPE	1
23	68206-63150	NOZZLE	1
24	68206-63340	CLAMP	1
25	68206-63350	CLAMP	1
26	68208-84390	CUSHION	1
27	68208-84380	HANDLE	1
28	01020-06300	BOLT	1
29	68208-84010	THROTTLE LEVER ASSEMBLY	1
30	68208-84410	CLAMP	1

\* Denotes item is part of an assembly \*\* Denotes item is part of a sub-assembly

## ROTOR / COIL SPRING

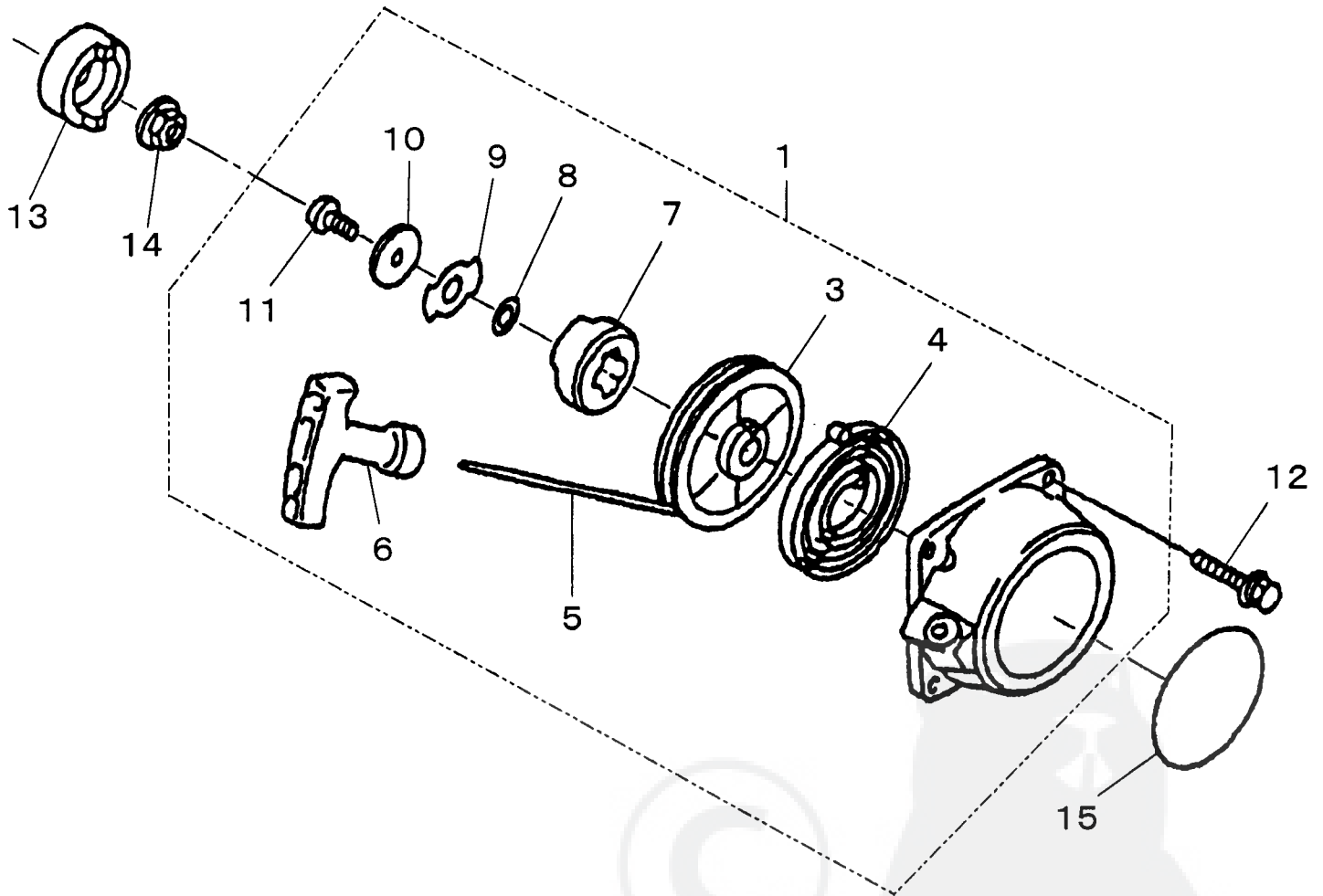
ILLUSTRATION 5 - REV 11/02



Ref. No	Part No.	Part Name	Q'ty
5-1	68206-71110	ROTOR	1
2	68206-71310	KEY	1
3	11527-10202	FLANGE NUT	1
4	68206-71210	COIL	1
5	68206-71240	LEAD WIRE	1
6	68206-71250	PLUG CAP	1
7	68206-71320	COIL SPRING	1
8	68206-71330	CAP	1
9	11022-04205	BOLT SPW	2
10	68206-71340	GROMMET	1
11	68206-71350	COVER	1
12	68206-71360	BOLT SLPW	1
13	68206-71370	CLAMP	1
14	01280-05142	SCREW TAPPING	1
15	13000-13507	SPARKPLUG BPMR7A	1

RECOIL STARTER

ILLUSTRATION 6 - REV 11/02



Ref. No	Part No.	Part Name	Q'ty
6-1	68206-75010	RECOIL STARTER ASSEMBLY	1
3	68206-75120	*REEL	1
4	68206-75130	*RECOIL SPRING	1
5	68206-75140	*ROPE	1
6	68206-75150	*KNOB	1
7	68206-75310	*DOG	1
8	68206-75320	*WASHER	1
9	68206-75330	*RETAINER	1
10	68206-75340	*WASHER	1
11	68206-75350	*SCREW	1
12	68206-75360	BOLT SLPW	4
13	68206-75210	STARTER PULLEY	1
14	11527-10202	FLANGE NUT	1
15	19420-00027	LABEL TRADE	1

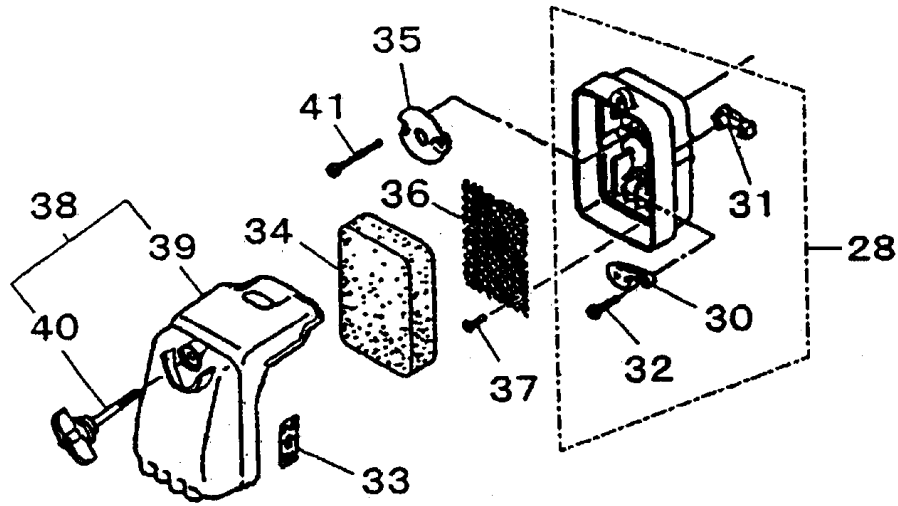
\* Denotes item is part of an assembly \*\* Denotes item is part of a sub-assembly

CARBURETOR / CLEANER

ILLUSTRATION 7 - REV 11/02

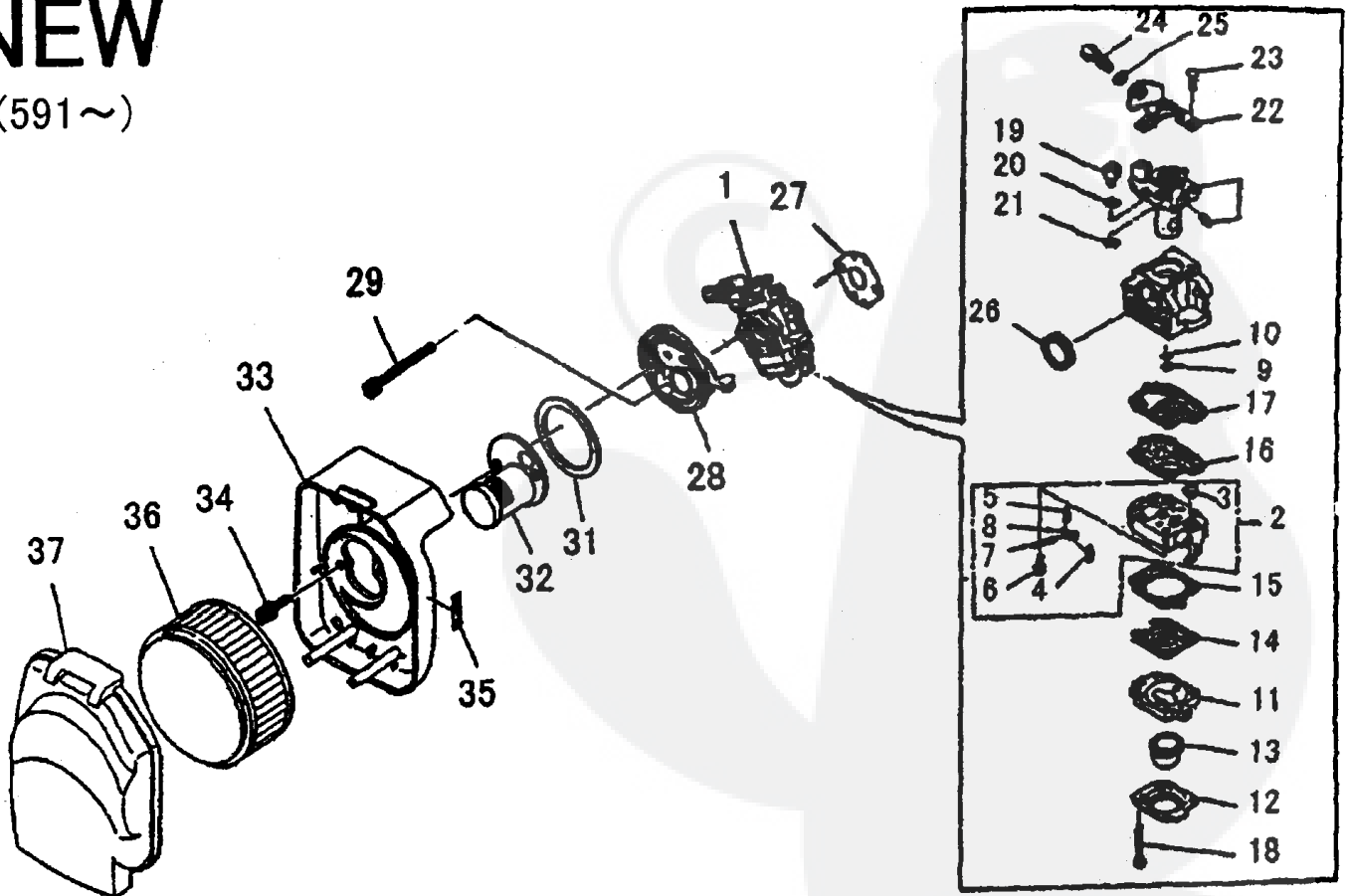
OLD

(~590)



NEW

(591~)





## CARBURETOR / CLEANER

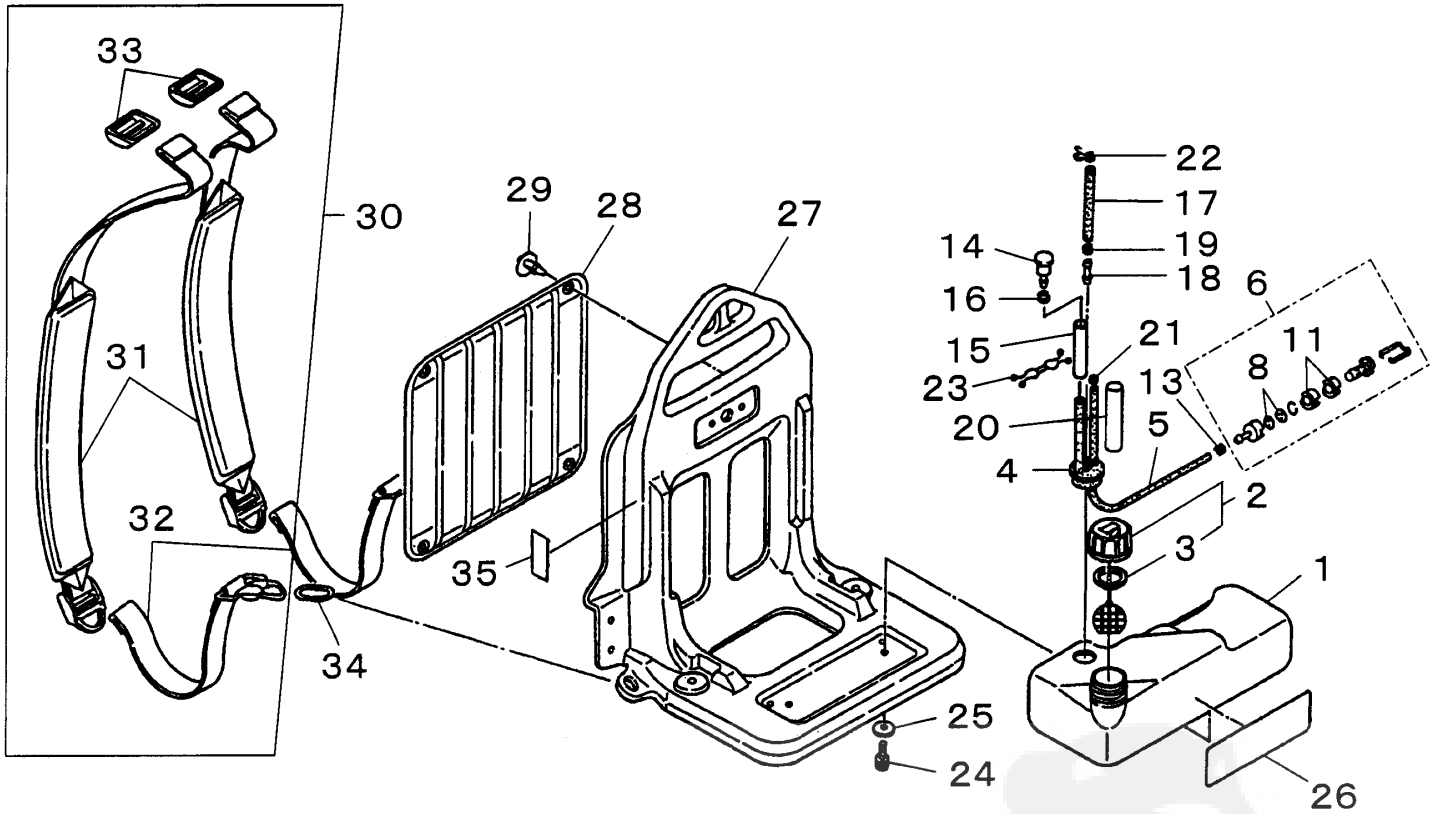
ILLUSTRATION 7 - REV 11/02

Ref. No	Part No.	Part Name	Q'ty
7-1	68206-81010	CARBURETOR ASSEMBLY	1
2	68206-81310	*BODY ASSEMBLY	1
3	68206-81320	**SCREEN	1
4	68206-81330	**NEEDLE VALVE	1
5	68206-81340	**SPRING	1
6	68206-81350	**SCREW	1
7	68206-81360	**PIN	1
8	68206-81370	**LEVER	1
9	68206-81380	*MAIN JET	1
10	68206-81390	*O-RING	1
11	68206-81410	*PUMP BASE COMP	1
12	68206-81420	*PUMP COVER	1
13	68206-81430	*PRIMER PUMP	1
14	68206-81440	*DIAPHRAGM	1
15	68206-81450	*GASKET	1
16	68206-81460	*DIAPHRAGM	1
17	68206-81470	*GASKET PUMP	1
18	68206-81480	*SCREW	1
19	68206-81490	*SWIVEL	1
20	68206-81510	*WASHER	1
21	68206-81520	*SNAP RING	1
22	68206-81530	*CABLE BRACKET	1
23	68206-81540	*SCREW	1
24	68206-81550	*CABLE ADJUSTER	1

Ref. No	Part No.	Part Name	Q'ty
25	68206-81560	*NUT	1
26	68206-81570	*RING GASKET	1
27	68206-81210	GASKET CARBURETOR	1
28	72935-81501	CHOKE COMP	1
28	68206-82010	CLEANER BODY COMP	1
29	11020-05500	BOLT SW	2
30	68206-82310	*SHUTTER PLATE	1
31	72935-82210	GASKET	1
31	68206-82320	*CHOKE LEVER	1
32	72935-82130	PIPE	1
32	68206-82330	*SCREW	1
33	68206-82390	CLEANER BODY	1
33	68206-82340	LABEL CHOKE	1
34	11024-04140	BOLT SPW	1
34	68206-82120	FILTER	1
35	19404-00008	LABEL CHOKE	1
35	68206-82350	PLATE	1
36	68206-82400	FILTER	1
36	68206-82360	SCREEN	1
37	72935-82120	CLEANER COVER	1
37	68206-82370	SCREW TAPPING	1
38	68206-82040	CLEANER COVER COMP	1
39	68206-82130	*CLEANER COVER	1
40	68206-82380	*KNOB	1
41	11206-05600	SCREW PMSW	2

## FUEL TANK

ILLUSTRATION 8 - REV 11/02

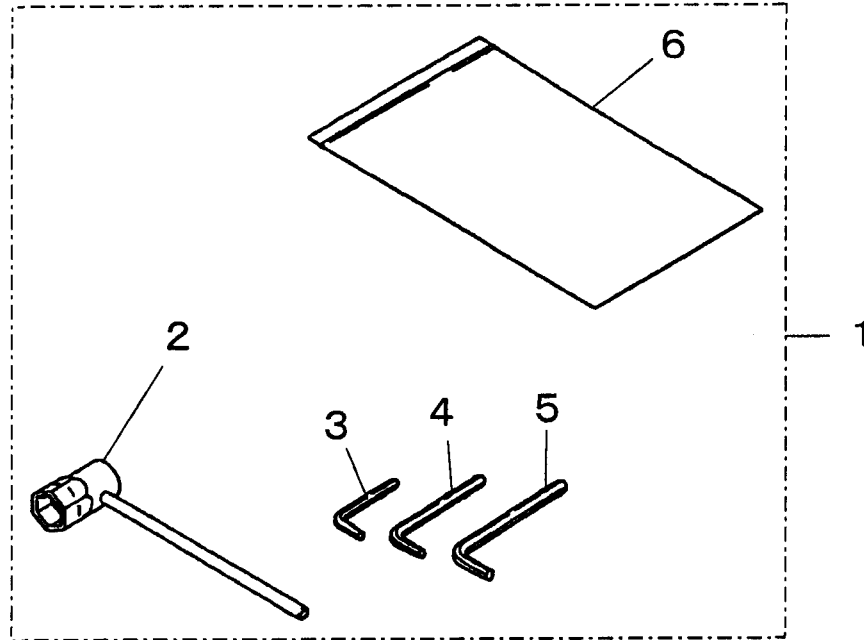


Ref. No	Part No.	Part Name	Q'ty
8-1	68206-85110	FUEL TANK	1
2	68204-85020	FUEL CAP ASSEMBLY	1
3	20000-85221	*GASKET	1
4	72933-85350	GROMMET	1
5	68206-85340	PIPE	1
6	22115-85401	FUEL FILTER SUB ASSEMBLY	1
8	22118-85460	*SCREEN	2
11	22128-85421	*FILTER	2
13	20020-85540	CLIP	1
14	20035-85522	VALVE	1
15	72935-85530	PIPE	1
16	20020-85540	CLIP	1
17	68206-85320	PIPE	1
18	72933-85620	JOINT	1
19	20020-85540	CLIP	1

Ref. No	Part No.	Part Name	Q'ty
20	68206-85330	PIPE	1
21	20020-85540	CLIP	1
22	37013-85310	CLIP	1
23	72935-85550	CLIP	1
24	11060-05140	BOLT ADHESIVE	2
25	15401-10010	COLLAR	2
26	68206-91021	LABEL TRADE	1
27	68206-86110	FRAME	1
28	72935-86120	PAD	1
29	72935-86130	CLIP	4
30	68206-87010	BAND ASSEMBLY	2
31	68206-87110	*BAND	2
32	72935-87120	*BAND	2
33	72451-17230	*BUCKLE	2
34	72935-87310	RING	2
35	19402-00148	LABEL CAUTION	1

TOOL SET

ILLUSTRATION 9 - REV 11/02



Ref. No	Part No.	Part Name	Q'ty
9- 1	72935-91000	TOOLSET	1
2	22900-91180	*PLUG WRENCH	1
3	09026-03001	*HEX A WRENCH	1
4	09026-04001	*HEX A WRENCH	1
5	09026-05001	*HEX A WRENCH	1
6	19639-01100	*POLYBAG	1

\* Denotes item is part of an assembly \*\* Denotes item is part of a sub-assembly



**shindaiwa**

[www.shindaiwa.com](http://www.shindaiwa.com)

11975 SW Herman Road, Tualatin, Oregon 97062, U.S.A.

1 + 503.692.3070 • fax 1 + 503.692.6696 •

Item #xxxx Effective 11/02