

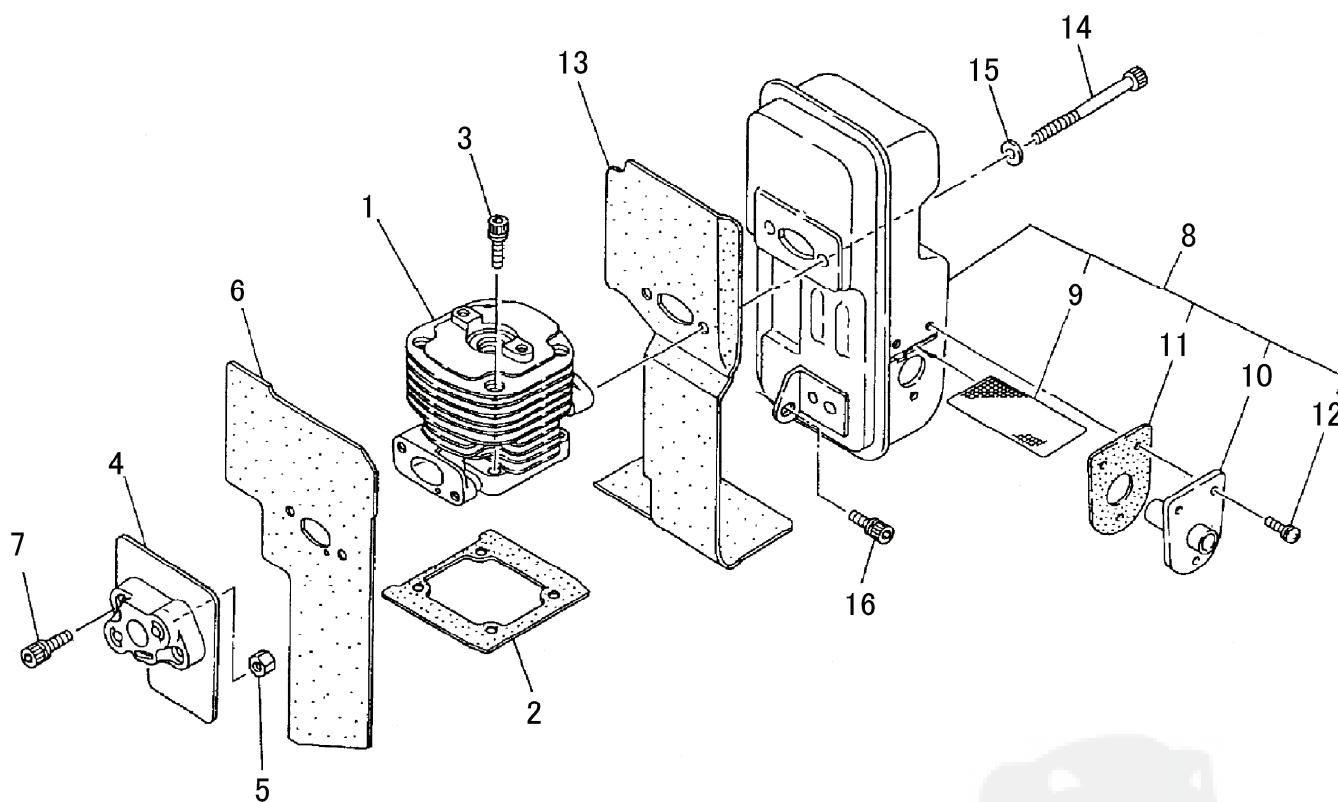
Shindaiwa Illustrated Parts List

EB500 EC1 BLOWER

CYLINDER	2
CRANKCASE	3
PISTON	4
VOLUTE CASE	5
ROTOR	6
RECOIL STARTER ASSEMBLY	7
CARBURETOR ASSEMBLY	8
FUEL TANK ASSEMBLY	9
THROTTLE LEVER ASSEMBLY	10
TOOL SET	11

CYLINDER

REV 3/05



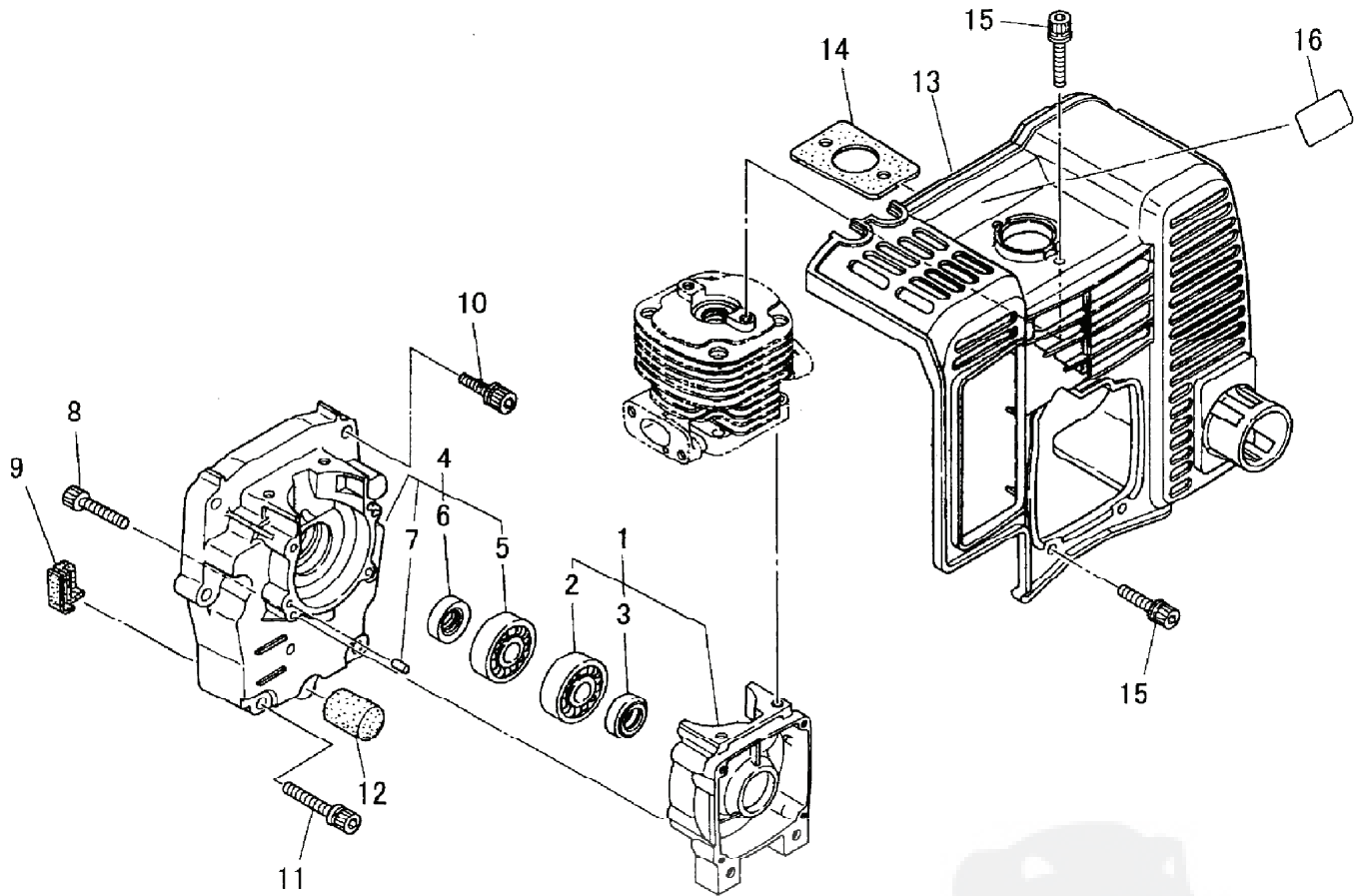
Ref. No	Part No.	Part Name	Qty.
1-1	72935-12111	CYLINDER	1
2	72935-12120	GASKET	1
3	11060-05253	BOLT ADHESIVE	4
4	68200-12210	INSULATOR	1
5	20011-12260	NUT	2
6	72935-12221	GASKET	1
7	11060-05250	BOLT ADHESIVE	2
8	68200-15010	MUFFLER ASSEMBLY	1
9	70029-15120	*ARESTER	1
10	68200-15140	*TAILPIPE	1
11	70029-15140	*GASKET PIPE	1
12	11206-04120	*SCREW PM SPW	3
13	72935-15211	GASKET	1
14	01020-06700	BOLT	2
15	01610-06080	WASHER	2
16	11024-05120	BOLT SLPW	1

* Denotes item is part of an assembly

** Denotes item is part of a sub-assembly

CRANKCASE

REV 3/05

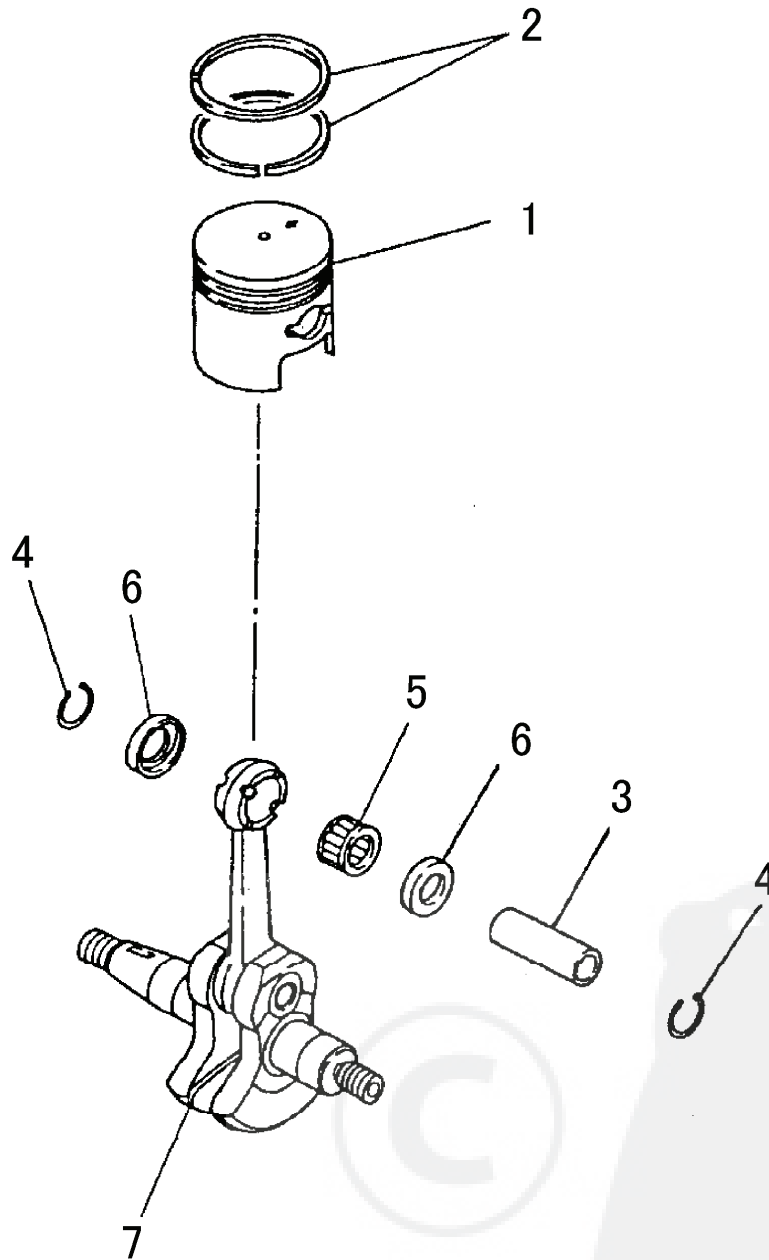


Ref. No	Part No.	Part Name	Qty.
2-1	72935-21101	CRANK CASE S COMP	1
2	12900-62020	*BEARING	1
3	20010-21211	*OIL SEAL	1
4	72935-21200	CASE M COMP	1
5	12900-62020	*BEARING	1
6	20010-21211	*OIL SEAL	1
7	12492-50100	*DOWEL PIN	2
8	11060-05300	BOLT ADHESIVE	4
9	72935-21220	SEAL	1
10	11060-06300	BOLT ADHESIVE	4
11	11060-06450	BOLT ADHESIVE	2
12	72935-21230	CUSHION	1
13	72935-31112	ENGINE COVER	1
14	20028-32131	GASKET COVER	1
15	11060-05162	BOLT ADHESIVE	4
16	19402-00148	LABEL CAUTION	1

* Denotes item is part of an assembly
 ** Denotes item is part of a sub-assembly

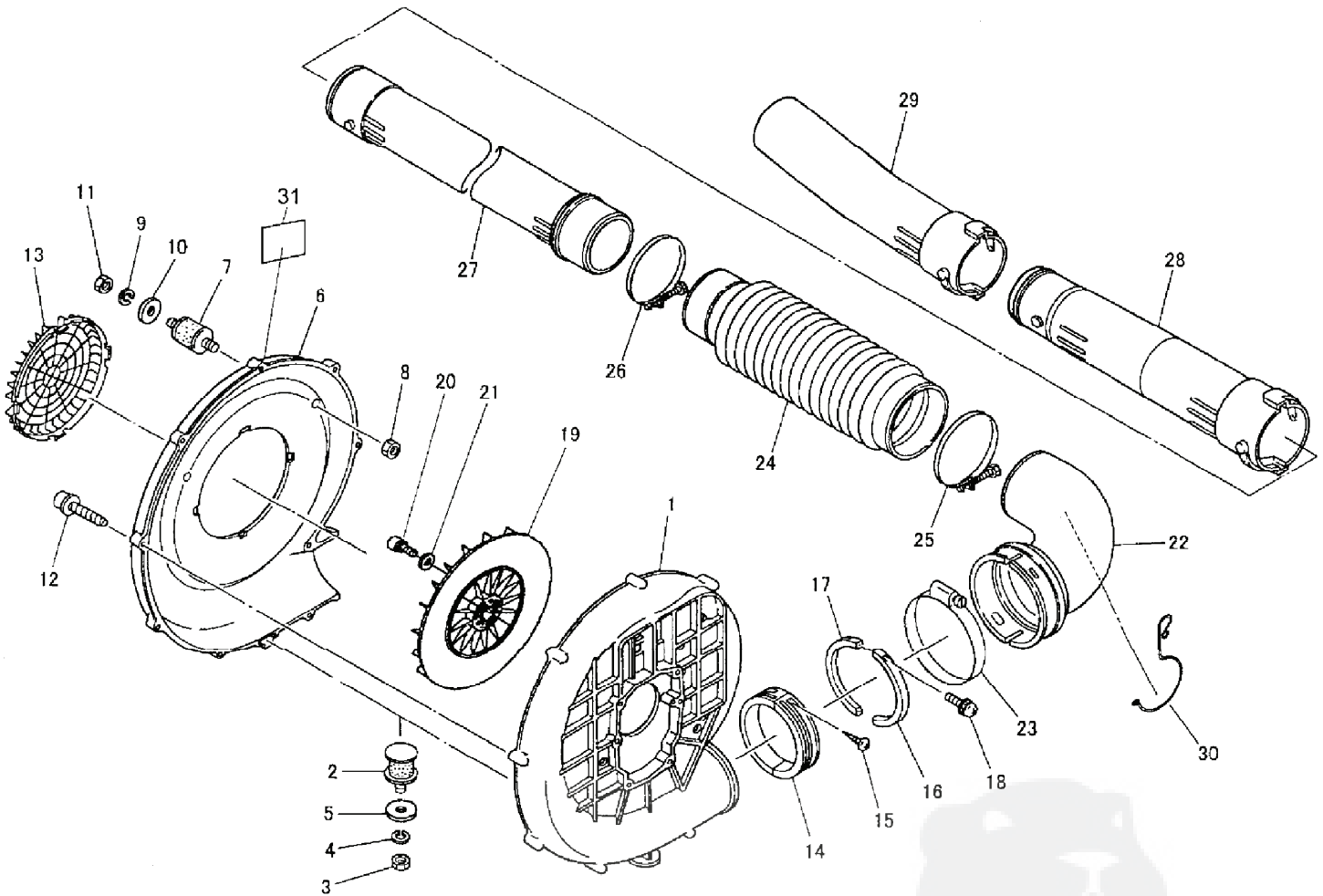
PISTON

REV 3/05



Ref. No	Part No.	Part Name	Qty.
3-1	72935-41110	PISTON	1
2	72935-41210	PISTON RING	2
3	20021-41310	PISTON PIN	1
4	22150-41230	SNAP RING	2
5	20021-41330	BEARING SE	1
6	20021-41341	THRUST WASHER	2
7	72935-42000	CRANK SHAFT ASSEMBLY	1

* Denotes item is part of an assembly
 ** Denotes item is part of a sub-assembly



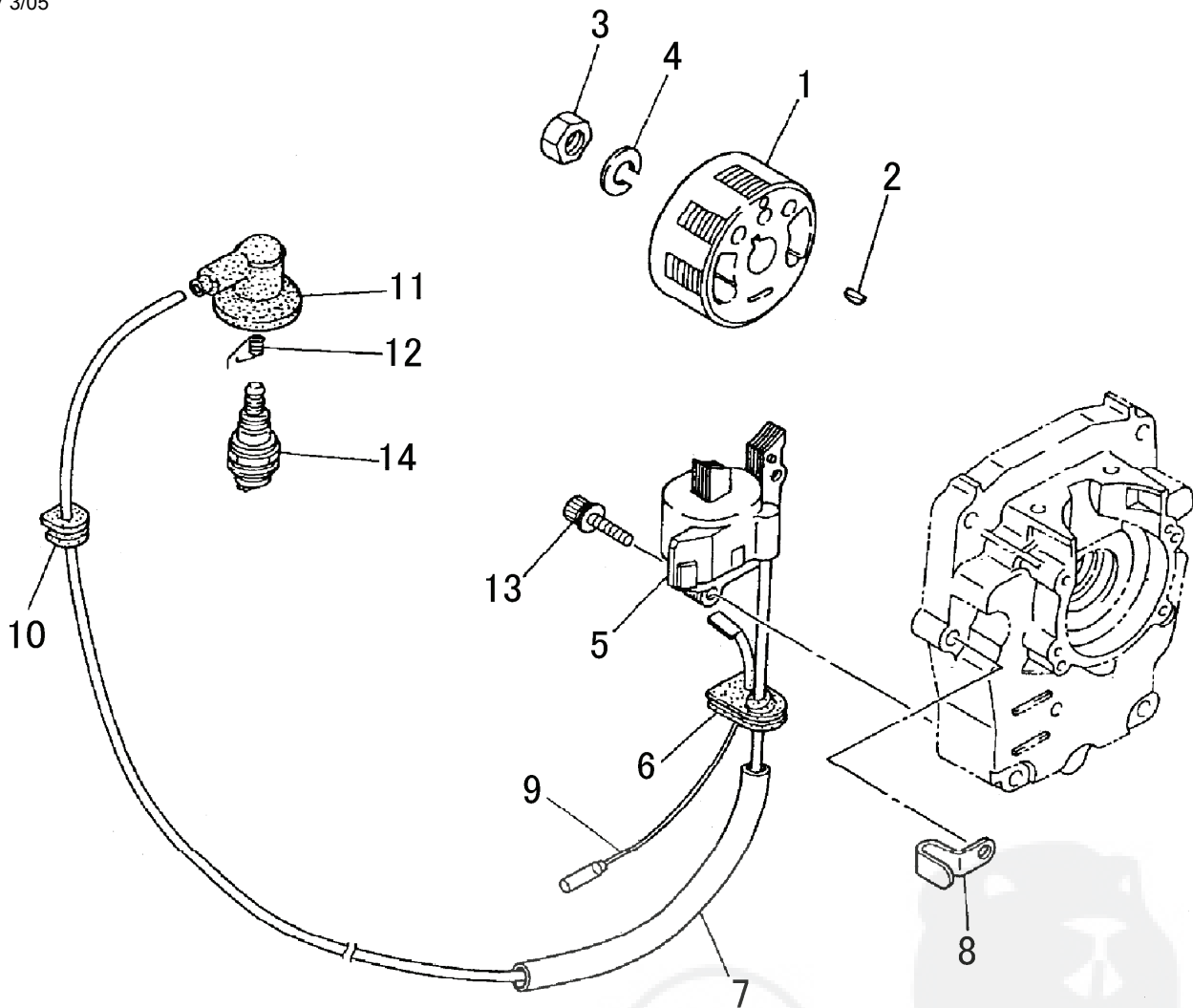
Ref. No	Part No.	Part Name	Qty.
4-1	72935-61112	VOLUTE CASE	1
2	72935-61120	CUSHION	1
3	01500-06051	NUT	1
4	01600-06151	SPRING WASHER	1
5	15401-10016	COLLAR	1
6	72935-61212	VOLUTE COVER	1
7	72935-61220	CUSHION	2
8	01500-05041	NUT	2
9	01600-05131	SPRING WASHER	2
10	22104-31620	WASHER	2
11	01500-05041	NUT	2
12	72935-61230	BOLT TAPPING	9
13	72935-61310	INTAKE COVER	1
14	72935-61410	SLEEVE	1
15	11270-03202	SCREW TAPPING	1

Ref. No	Part No.	Part Name	Qty.
16	72935-61420	RING	1
17	72935-61430	RING	1
18	11203-03250	SCREW PM	2
19	68200-62112	FAN	1
20	11060-06251	BOLT ADHESIVE	3
21	01612-00600	WASHER	3
22	72935-63110	BEND PIPE	1
23	72935-63120	CLAMP	1
24	72935-63210	FLEXIBLE PIPE	1
25	72935-63221	CLAMP	1
26	72935-63231	CLAMP	1
27	72935-63311	JOINT PIPE	1
28	72935-63340	PIPE	1
29	72935-63331	NOZZLE	1
30	68208-84410	CLAMP	1
31	19404-00033	LABEL DECIBEL	1

* Denotes item is part of an assembly
 ** Denotes item is part of a sub-assembly

ROTOR

REV 3/05

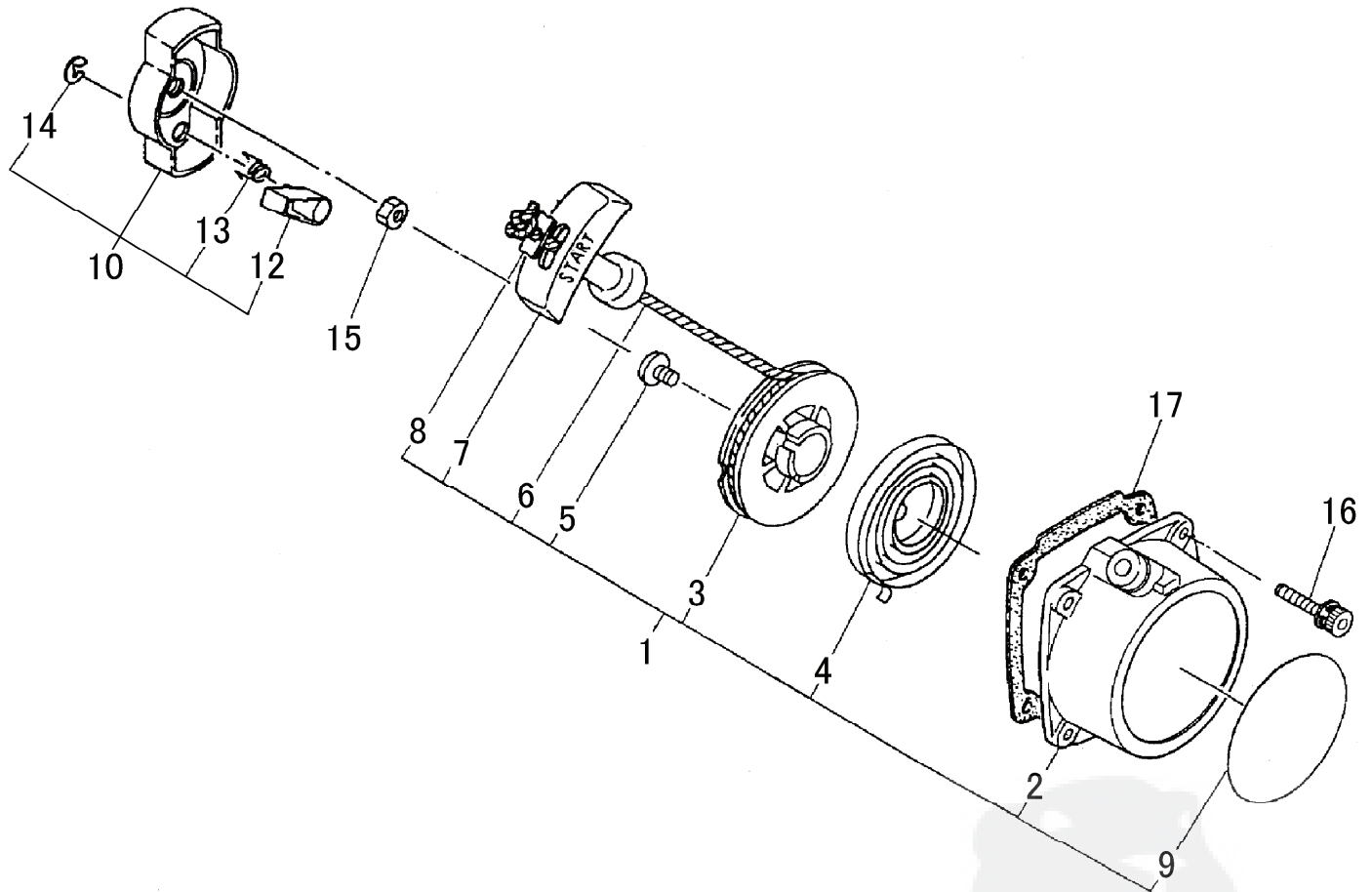


Ref. No	Part No.	Part Name	Qty.
5- 1	72935-71200	ROTOR	1
2	02403-03100	KEY	1
3	01511-10061	NUT	1
4	01600-10251	SPRING WASHER	1
5	68232-71210	COIL	1
6	70029-72110	GROMMET	1
7	20016-71660	TUBE	1
8	72935-72140	CORD CLIP	1
9	14352-01600	LEAD WIRE	1
10	20011-72110	GROMMET	1
11	20024-72220	PLUG CAP	1
12	20000-72230	SPRING SPARKPLUG	1
13	11060-05201	SCREW ADHESIVE	2
14	13000-13406	SPARK PLUG BMR6A	1

* Denotes item is part of an assembly
 ** Denotes item is part of a sub-assembly

RECOIL STARTER ASSEMBLY

REV 3/05

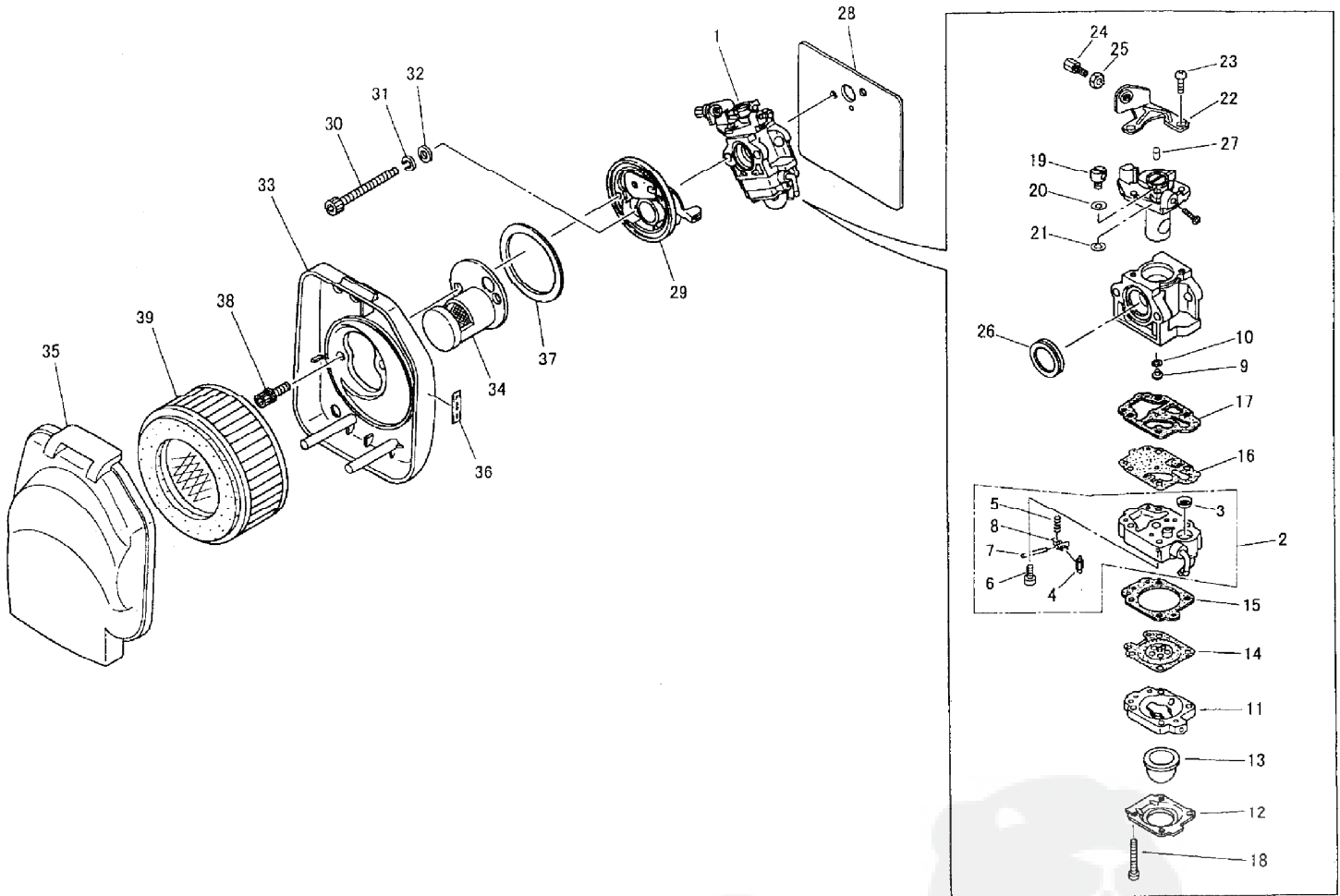


Ref. No	Part No.	Part Name	Qty.
6-1	72935-75101	RECOIL STARTER SUB ASSEMBLY	1
2	72935-75111	*STARTER CASE	1
3	70131-75120	*REEL	1
4	20024-75130	*RECOIL SPRING	1
5	72935-75170	*SCREW TAPPING	1
6	20020-75180	*ROPE	1
7	20010-75190	*STARTER KNOB	1
8	20010-75210	*STOPPER	1
9	19420-00027	*LABEL TRADE	1
10	72935-75200	STARTER PULLEY ASSEMBLY	1
12	20024-75220	*RATCHET	1
13	72935-75230	*RETURN SPRING	1
14	20024-75240	*E-RING	1
15	72935-75310	NUT	1
16	11060-04160	BOLT ADHESIVE	4
17	20020-76111	GASKET STARTER	1

* Denotes item is part of an assembly
 ** Denotes item is part of a sub-assembly

CARBURETOR ASSEMBLY

REV 3/05

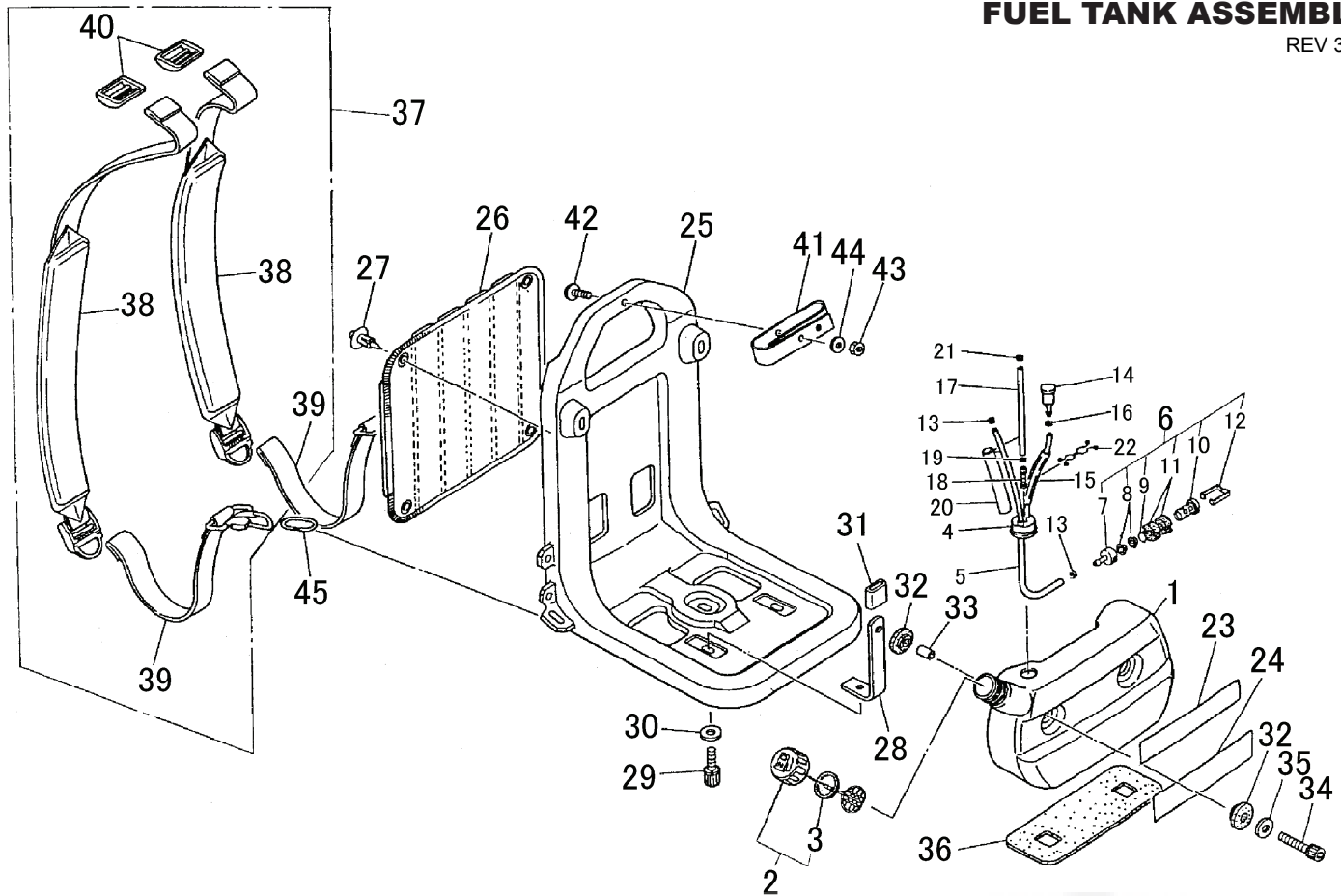


Ref. No	Part No.	Part Name	Qty.	Ref. No	Part No.	Part Name	Qty.
7-1	68237-81010	CARBURETOR ASSEMBLY	1	20	20089-81185	*WASHER	1
2	72933-81410	*PUMP BODY ASSEMBLY	1	21	20036-81195	*E-RING	1
3	70030-81380	**SCREEN	1	22	20089-81130	*BRACKET	1
4	20036-81440	**NEEDLE VALVE	1	23	70097-81290	*SCREW	1
5	72933-81270	**SPRING	1	24	20089-81110	*CABLE ADJUSTER	1
6	20016-81450	**SCREW	1	25	20036-81120	*NUT	2
7	22100-81250	**PIN	1	26	72933-81250	*RING GASKET	1
8	22100-81230	**LEVER	1	27	62074-81320	*PLAG	1
9	68232-81321	*MAIN JET	1	28	72935-81711	GASKET CABURETOR	1
10	70097-81220	*O-RING	1	29	72935-81501	CHOKE COMP	1
11	20016-81420	*PUMP BASE COMP	1	30	01020-05600	BOLT	2
12	20016-81510	*PUMP COVER	1	31	01600-05131	SPRING WASHER	2
13	20036-81670	*PRIMER PUMP	1	32	01610-05080	WASHER	2
14	22100-81260	*DIAPHRAGM ASSEMBLY	1	33	72935-82111	CLEANER BODY	1
15	20016-81280	*GASKET	1	34	72935-82130	PIPE	1
16	70097-81320	*DIAPHRAGM	1	35	72935-82120	CLEANER COVER	1
17	70097-81310	*GASKET PUMP	1	36	19404-00008	LABEL CHOKE	1
18	20016-81140	*SCREW	4	37	72935-82210	GASKET	1
19	72933-81450	*SWIVEL	1	38	11024-04140	BOLT SPW	2
				39	72935-82310	FILTER	1

* Denotes item is part of an assembly
 ** Denotes item is part of a sub-assembly

FUEL TANK ASSEMBLY

REV 3/05

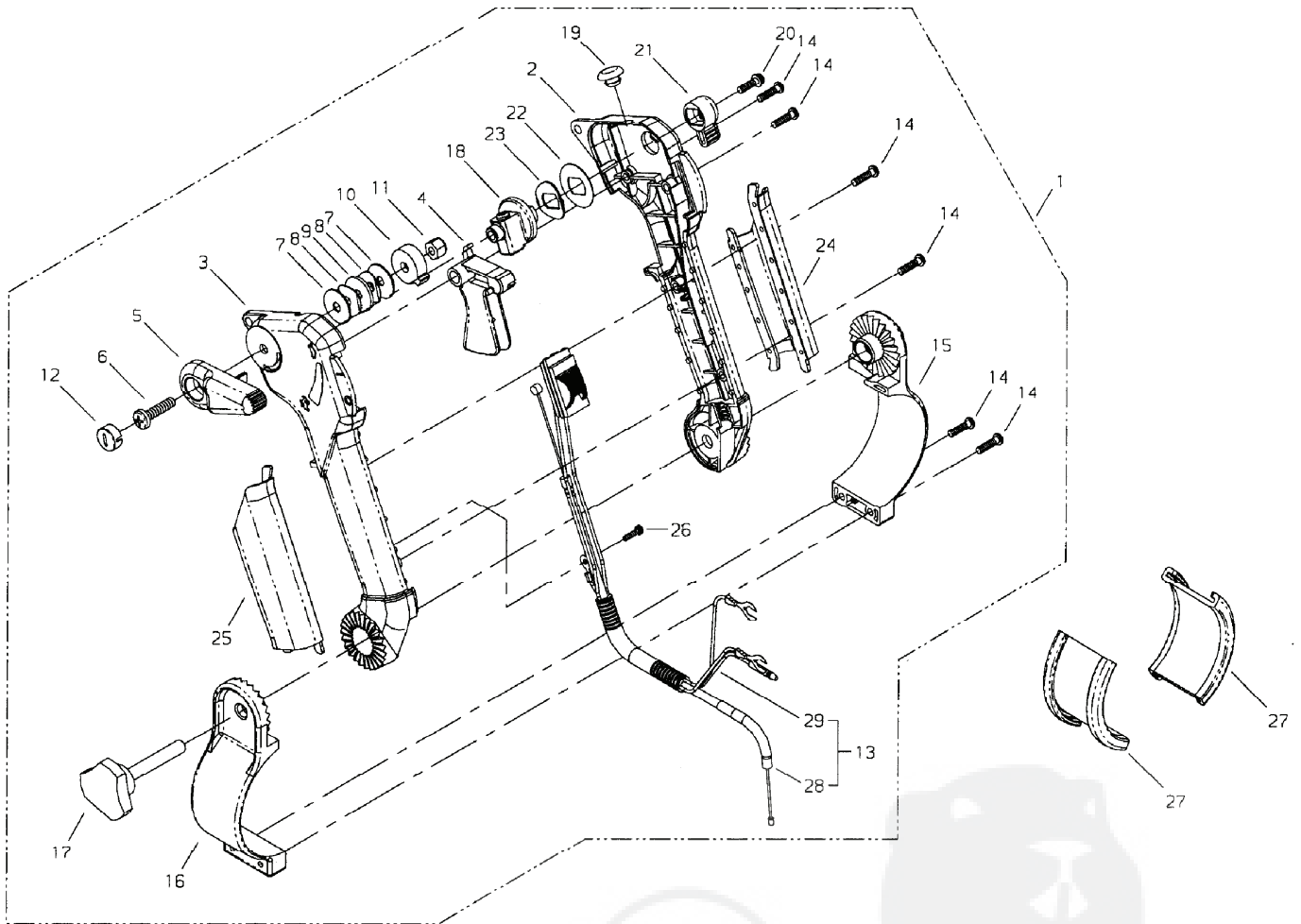


Ref. No	Part No.	Part Name	Qty.	Ref. No	Part No.	Part Name	Qty.
8-1	72935-85111	FUEL TANK	1	23	68200-91032	LABEL TRADE	1
2	68204-85020	FUEL CAP ASSEMBLY	1	24	19420-00055	LABEL TRADE	1
3	20000-85221	*GASKET	1	25	72935-86111	FRAME	1
4	72933-85350	GROMMET	1	26	72935-86120	PAD	1
5	68206-85340	PIPE	1	27	72935-86130	CLIP	4
6	22115-85401	FUEL FILTER SUB ASSEMBLY	1	28	72935-86411	BRACKET	2
7	22128-85410	*FUEL LINE WEIGHT	1	29	11020-06200	BOLT SW	2
8	22118-85460	*SCREEN	2	30	15401-10016	COLLAR	2
9	22128-85480	*RING	1	31	72935-86440	CUSHION	2
10	22128-85470	*SLEEVE	1	32	72935-86421	CUSHION	4
11	22128-85421	*FILTER	2	33	17901-06150	COLLAR	2
12	22128-85440	*CLIP FILTER	1	34	11020-06250	BOLT SW	2
13	20020-85540	CLIP	2	35	15401-20004	COLLAR	2
14	20035-85522	VALVE	1	36	72935-86431	CUSHION	1
15	72935-85530	PIPE	1	37	72935-87100	BAND ASSEMBLY	2
16	20020-85540	CLIP	1	38	72935-87111	*BAND	2
17	72935-85512	PIPE	1	39	72935-87120	*BAND	2
18	72933-85620	JOINT	1	40	72451-17230	*BUCKLE	2
19	20020-85540	CLIP	1	41	72935-87210	BAND	1
20	72935-85540	PIPE	1	42	01215-06300	SCREW	1
21	20021-85540	CLIP	1	43	22011-97840	LOCKNUT	1
22	72935-85550	CLIP	1	44	15401-10016	COLLAR	1
				45	72935-87310	RING	2

* Denotes item is part of an assembly
 ** Denotes item is part of a sub-assembly

THROTTLE LEVER ASSEMBLY

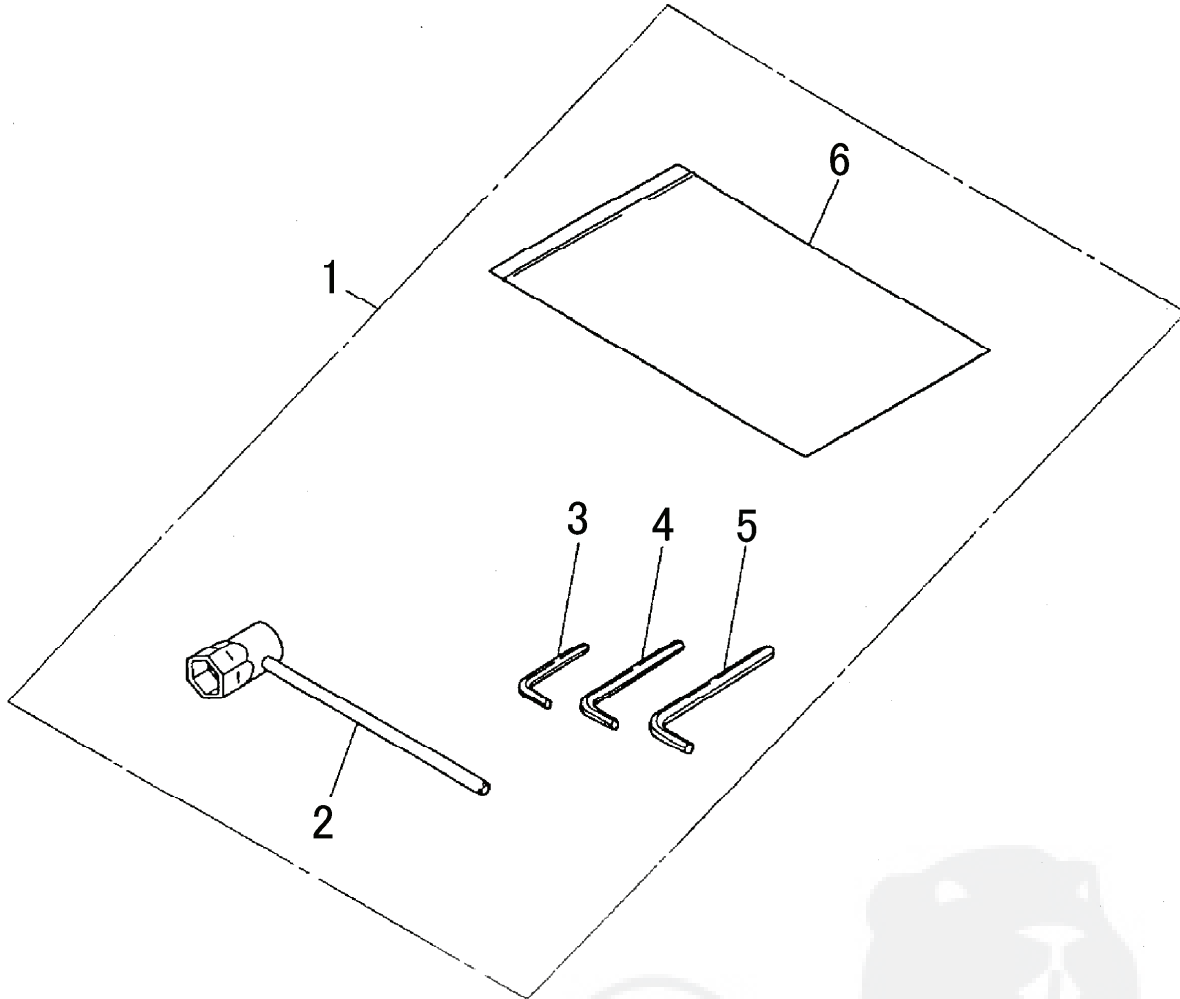
REV 3/05



Ref. No	Part No.	Part Name	Qty.
10-1	68237-84010	THROTTLE LEVER ASSEMBLY	1
2	68209-84320	*STAY	1
3	68209-84330	*STAY	1
4	68209-84340	*THROTTLE LEVER	1
5	68209-84350	*LOCK LEVER	1
6	68209-84360	*ADJUST BOLT	1
7	68209-84370	*WASHER	2
8	68209-84380	*ADJUSTABLE SPRING	2
9	68209-84390	*WASHER	1
10	68209-84400	*PLATE	1
11	68209-84410	*NYLON NUT	1
12	68209-84420	*RUBBER CAP	1
13	68237-84310	*THROTTLE CABLE ASSEMBLY	1
28	68237-84330	**THROTTLE CABLE	1

Ref. No	Part No.	Part Name	Qty.
29	68237-84320	**SWITCH	1
14	68209-84440	*SCREW	6
15	68209-84450	*BAND RIGHT	1
16	68209-84460	*BAND LEFT	1
17	68209-84470	*KNOB BOLT	1
18	68209-84480	*ADJUSTER ASSEMBLY	1
19	68209-84490	*PLUG	1
20	68209-84500	*SCREW	1
21	68209-84510	*SUB LEVER	1
22	68209-84520	*WASHER	1
23	68209-84530	*ADJUSTABLE SPRING	1
24	68209-84540	*GRIP	1
25	68209-84550	*GRIP	1
26	68209-84560	*SCREW	1
27	68237-84340	SPACER	2

* Denotes item is part of an assembly
 ** Denotes item is part of a sub-assembly



Ref. No	Part No.	Part Name	Qty.
9- 1	72935-91000	TOOLSET	1
2	22900-91180	*PLUG WRENCH	1
3	09026-03001	*HEXA WRENCH	1
4	09026-04001	*HEXA WRENCH	1
5	09026-05001	*HEXA WRENCH	1
6	19639-01100	*POLY BAG	1

* Denotes item is part of an assembly
 ** Denotes item is part of a sub-assembly