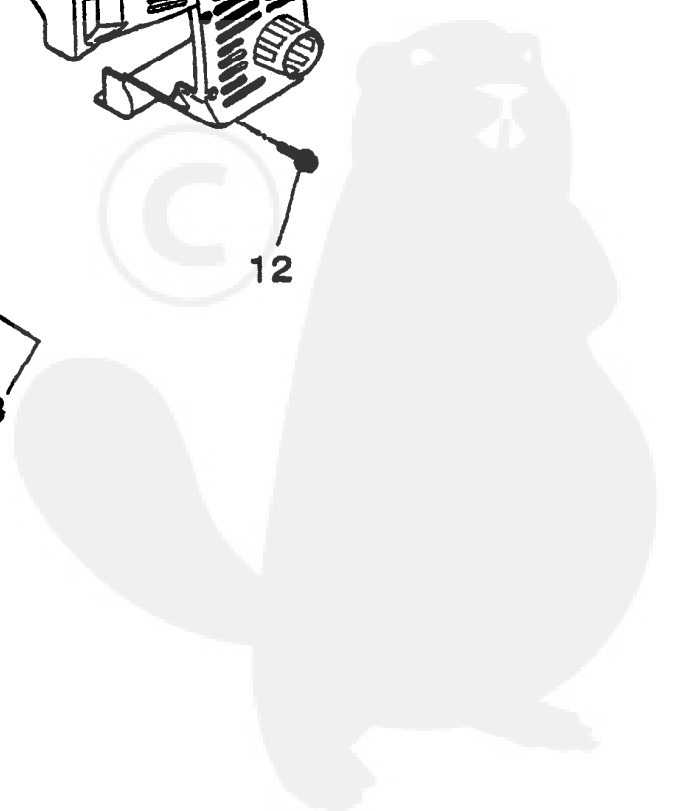
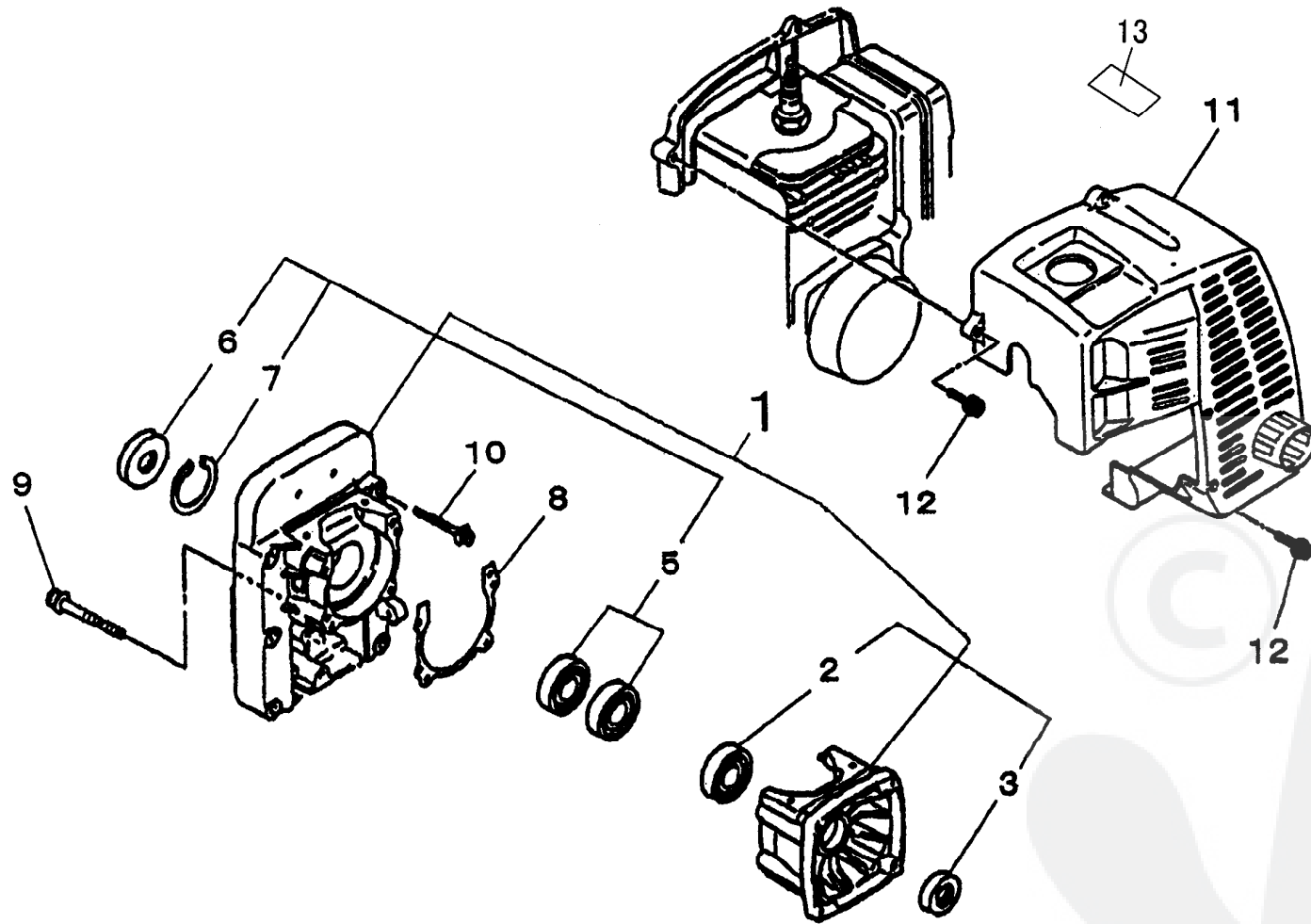
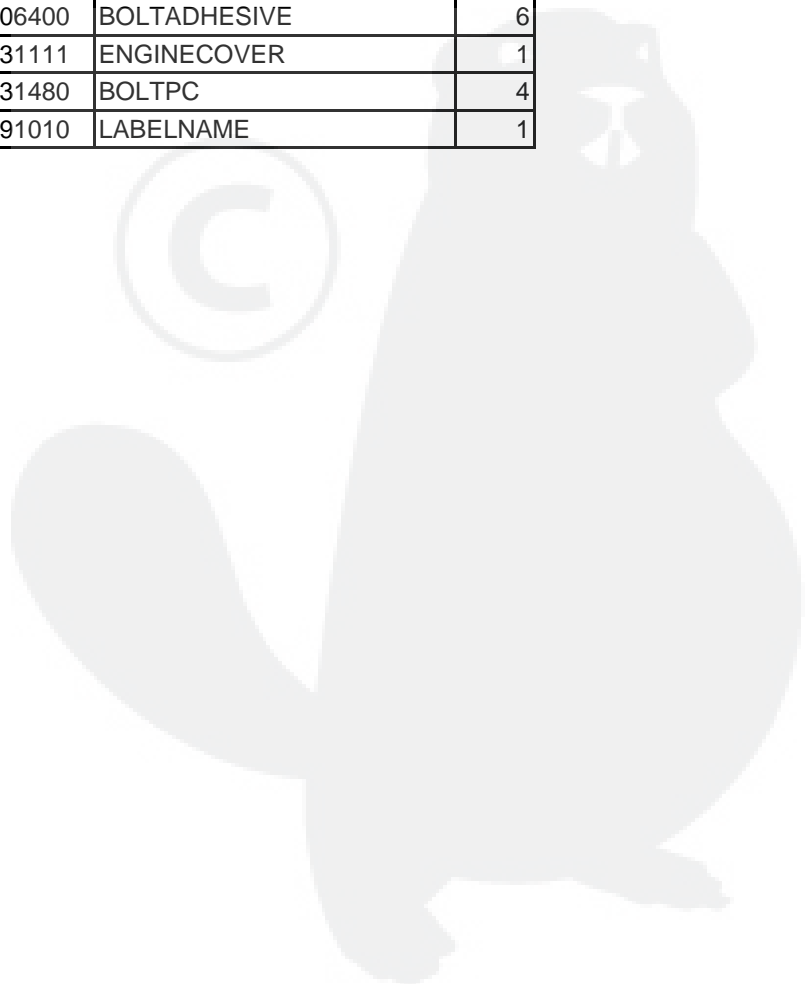
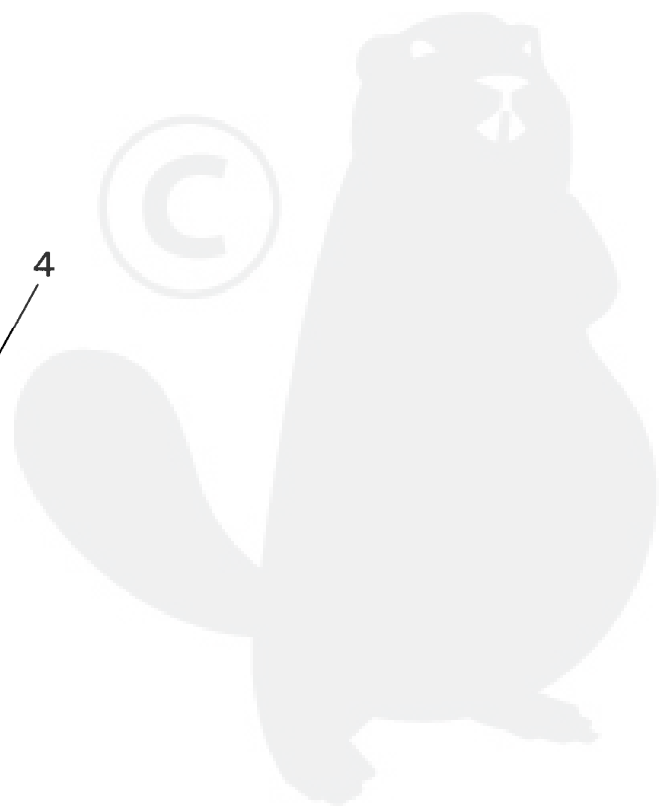
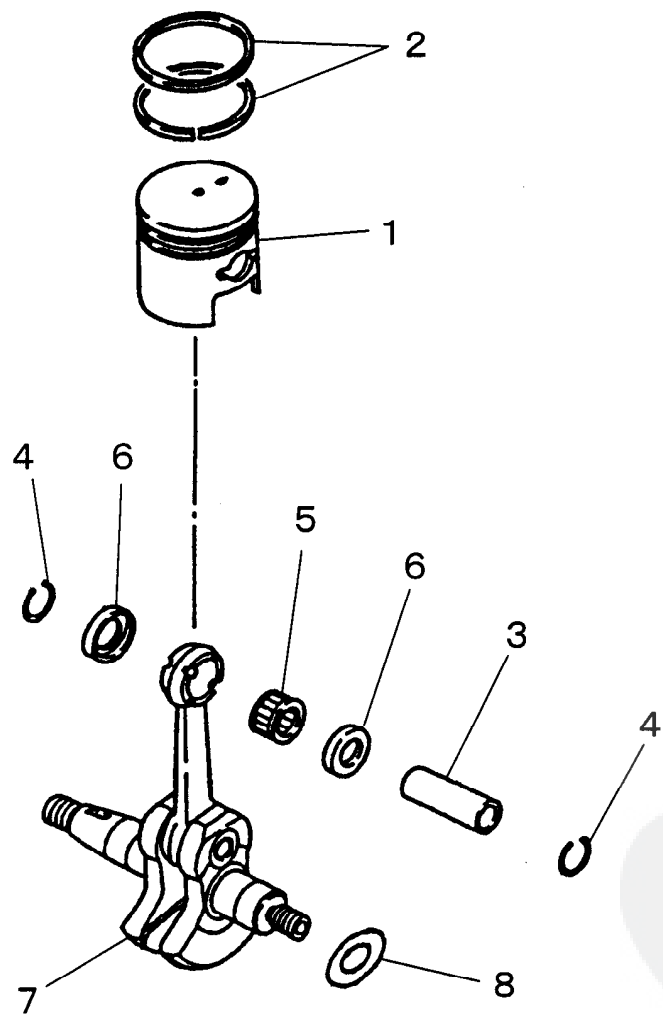


Ref. No	Part No.	Part Name	Q'ty
1- 1	68206-12110	CYLINDER	1
2	68206-12120	GASKETCYLINDER	1
3	68206-12310	BOLT	4
4	68206-12210	INSULATOR	1
5	68206-12220	GASKETINSULATOR	1
6	11206-05350	SCREWPMSPW	2
7	68206-12320	CYLINDERCOVER	1
8	68206-12330	BOLT	1
9	68206-15010	MUFFLERASSY	1
10	68206-15130	*SPARKARRESTER	1
11	68206-15210	GASKETMUFFLER	1
12	11022-06700	BOLTSPW	2
13	68206-15310	FLANGEBOLT	1

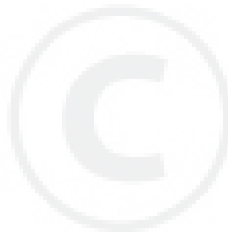


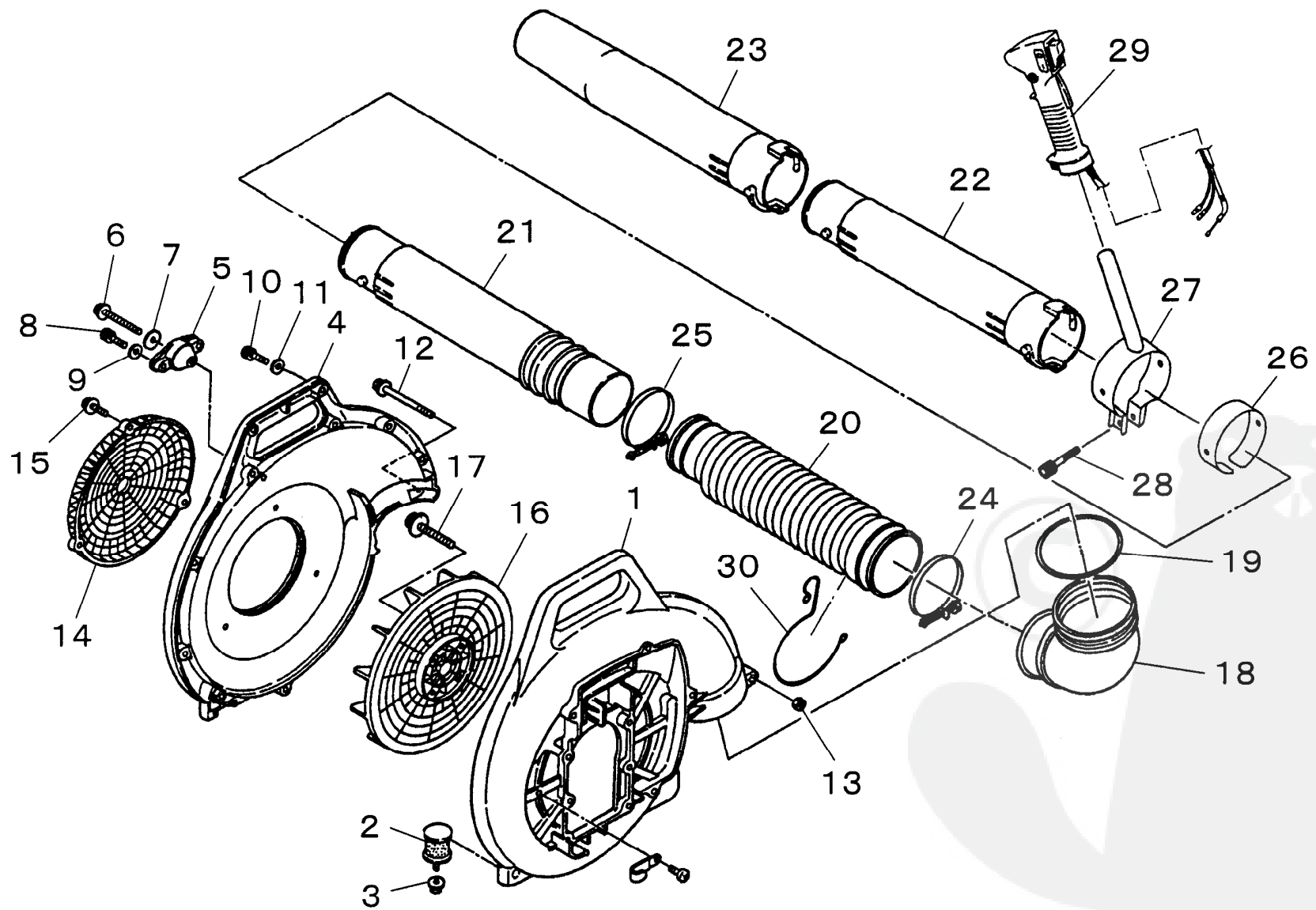
2-1	68206-98021	CRANKCASEASSY	1
2	68206-21350	BEARING	1
3	68206-21120	OILSEAL	1
5	68206-21350	BEARING	2
6	68206-21220	OILSEAL	1
7	68206-21310	SNAPRING	1
8	68206-21320	GASKET	1
9	01020-05300	BOLT	4
10	11060-06400	BOLTADHESIVE	6
11	68206-31111	ENGINECOVER	1
12	70140-31480	BOLTPC	4
13	68208-91010	LABELNAME	1



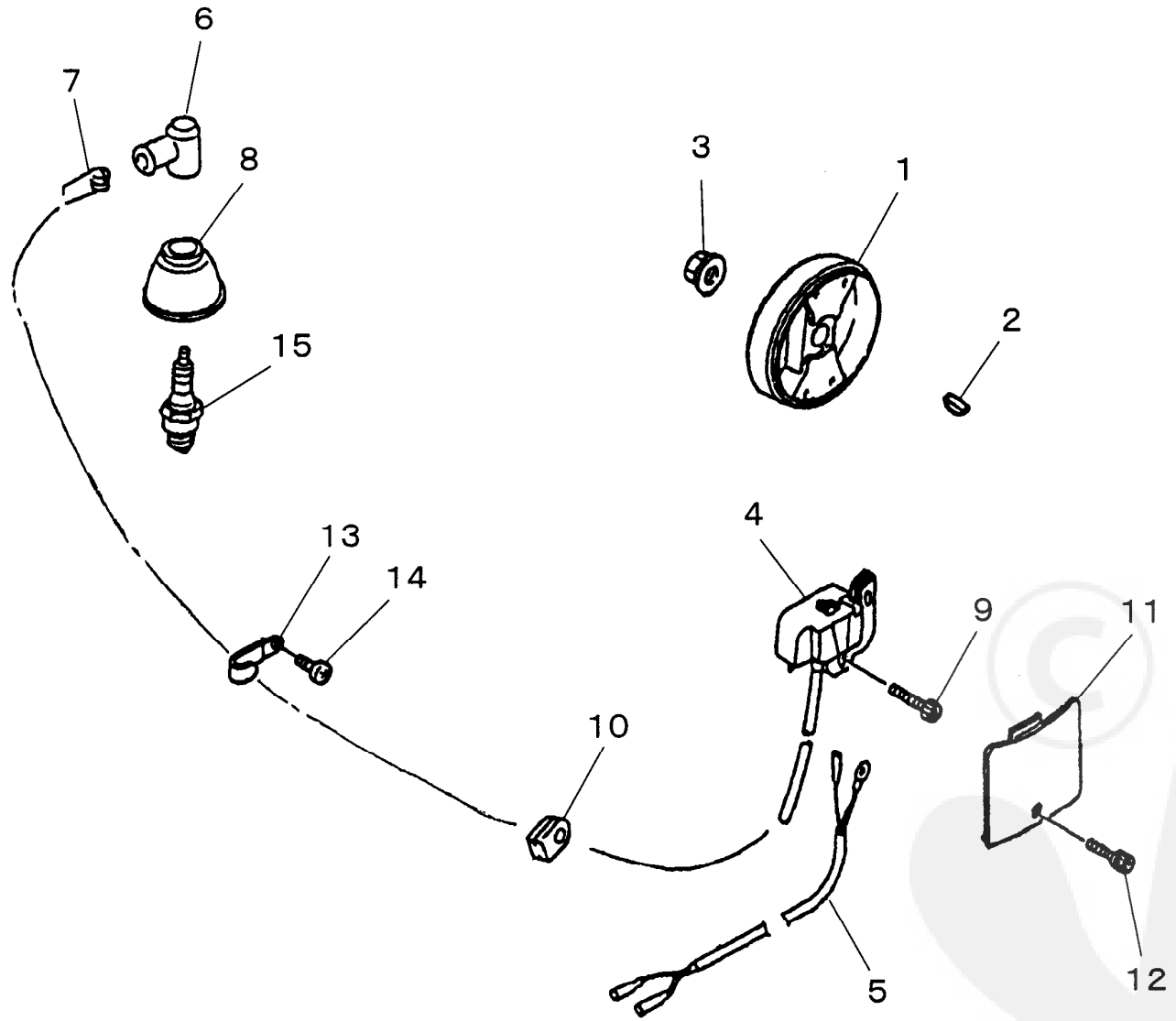


3- 1	68206-41110	PISTON	1
2	68206-41120	PISTONRING	2
3	68206-41210	PISTONPIN	1
4	68206-41220	SNAPRING	2
5	68206-41230	BEARINGSE	1
6	68206-41240	THRUSTWASHER	2
7	68206-42010	CRANKSHAFT	1
8	68206-42310	SHIM	1

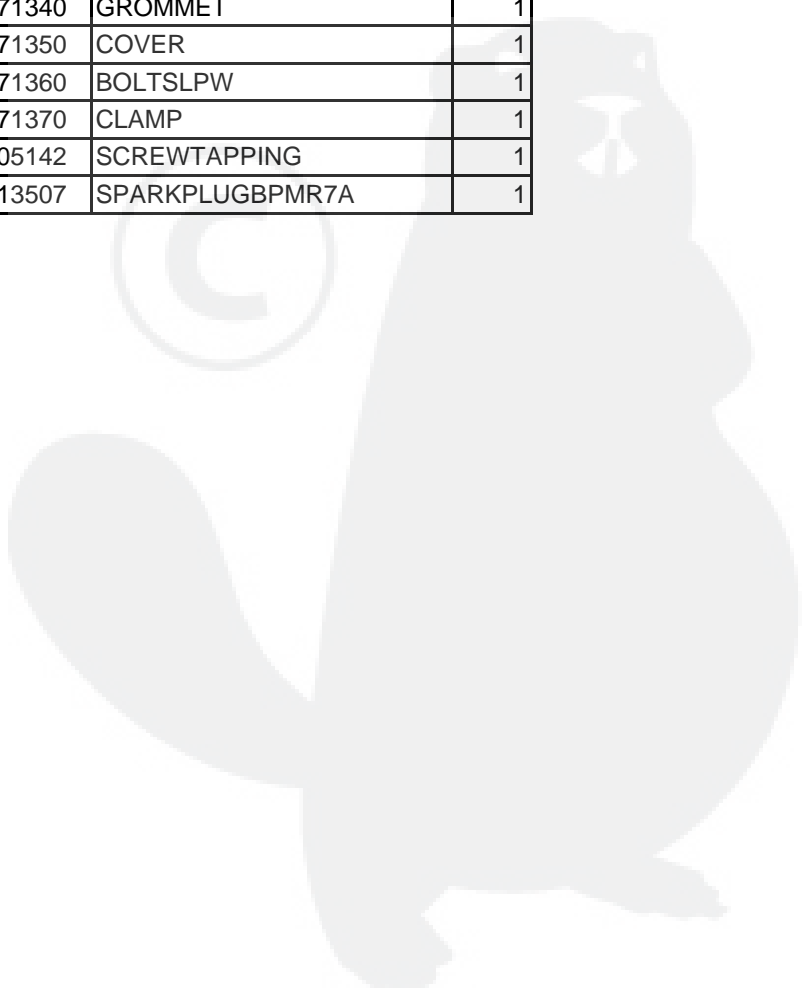


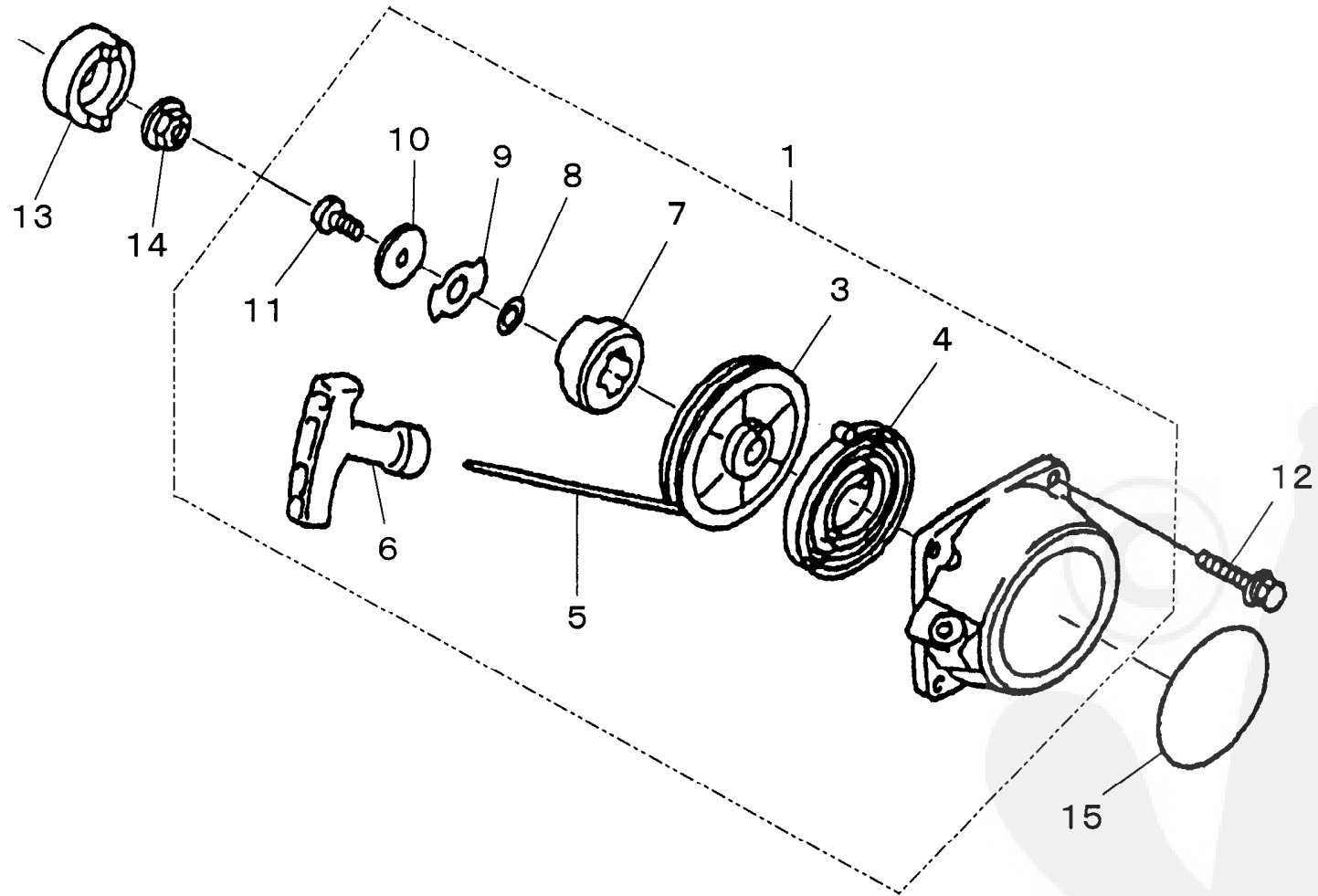


4-1	68206-61110	VOLUTECASE	1
2	68206-61320	AVRUBBER	2
3	11526-06202	FLANGENUT	2
4	68206-61121	VOLUTECOVER	1
5	68206-61330	AVRUBBER	1
6	68206-61340	BOLTTAPPING	1
7	15401-20009	COLLAR	1
8	11020-05160	BOLTSW	2
9	15401-10010	COLLAR	2
10	70140-31480	BOLTPC	11
11	01610-05080	WASHER	11
12	11024-05700	BOLTSW	2
13	01500-05041	NUT	2
14	68206-61130	INTAKECOVER	1
15	68206-61360	BOLTTAPPING	3
16	68206-62110	FAN	1
17	68206-62310	BOLTSLPW	4
18	68206-63110	BENDPIPE	1
19	68206-63330	ORING	1
20	68206-63121	FLEXIBLEPIPE	1
21	68206-63130	JOINTPIPE	1
22	68206-63140	PIPE	1
23	68206-63150	NOZZLE	1
24	68206-63340	CLAMP	1
25	68206-63350	CLAMP	1
26	68208-84390	CUSHION	1
27	68208-84380	HANDLE	1
28	01020-06300	BOLT	1
29	68208-84010	THROTTLELEVERASSY	1
30	68208-84410	CLAMP	1

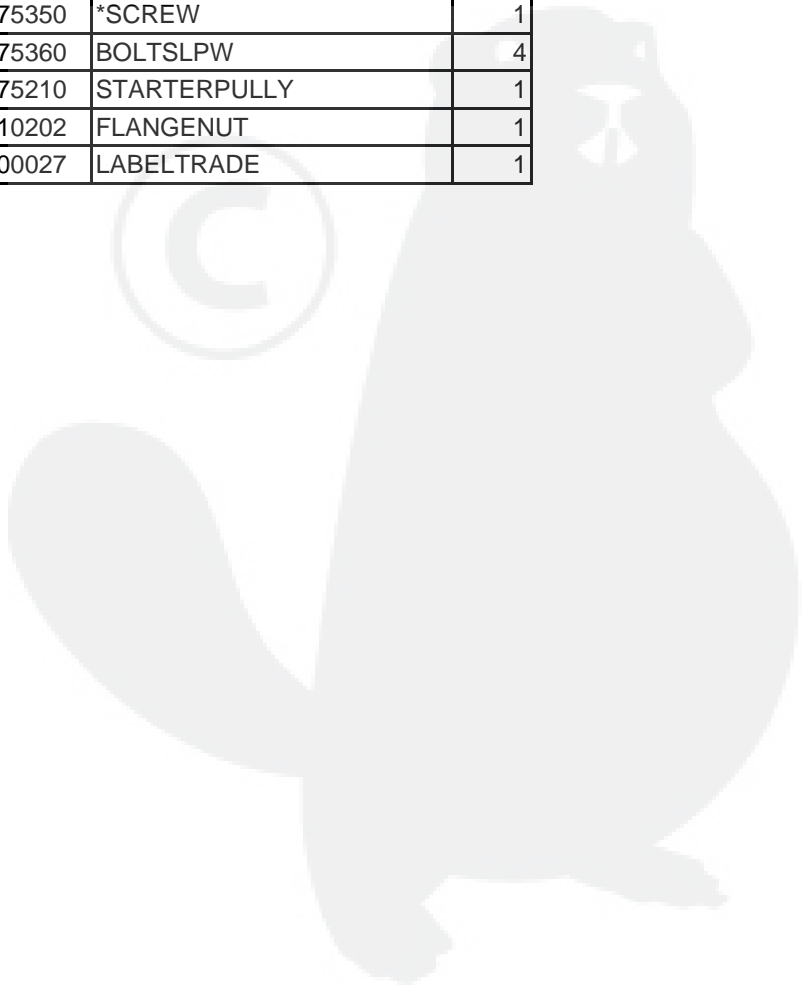


5- 1	68206-71110	ROTOR	1
2	68206-71310	KEY	1
3	11527-10202	FLANGENUT	1
4	68206-71210	COIL	1
5	68206-71240	LEADWIRE	1
6	68206-71250	PLUGCAP	1
7	68206-71320	COILSPRING	1
8	68206-71330	CAP	1
9	11022-04205	BOLTSPW	2
10	68206-71340	GROMMET	1
11	68206-71350	COVER	1
12	68206-71360	BOLTSLPW	1
13	68206-71370	CLAMP	1
14	01280-05142	SCREWTAPPING	1
15	13000-13507	SPARKPLUGBPMR7A	1

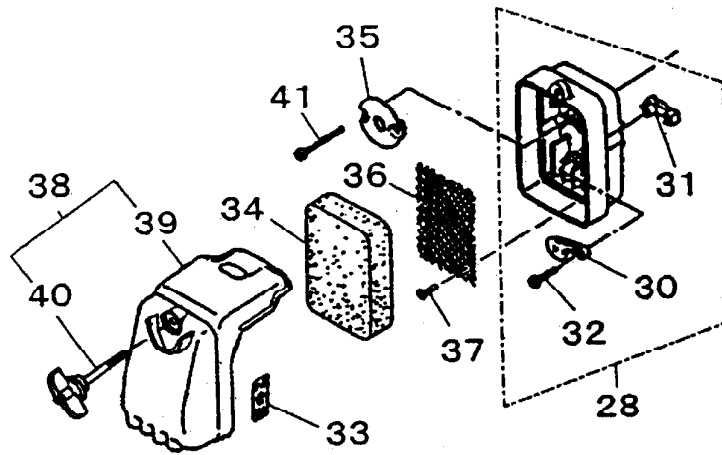




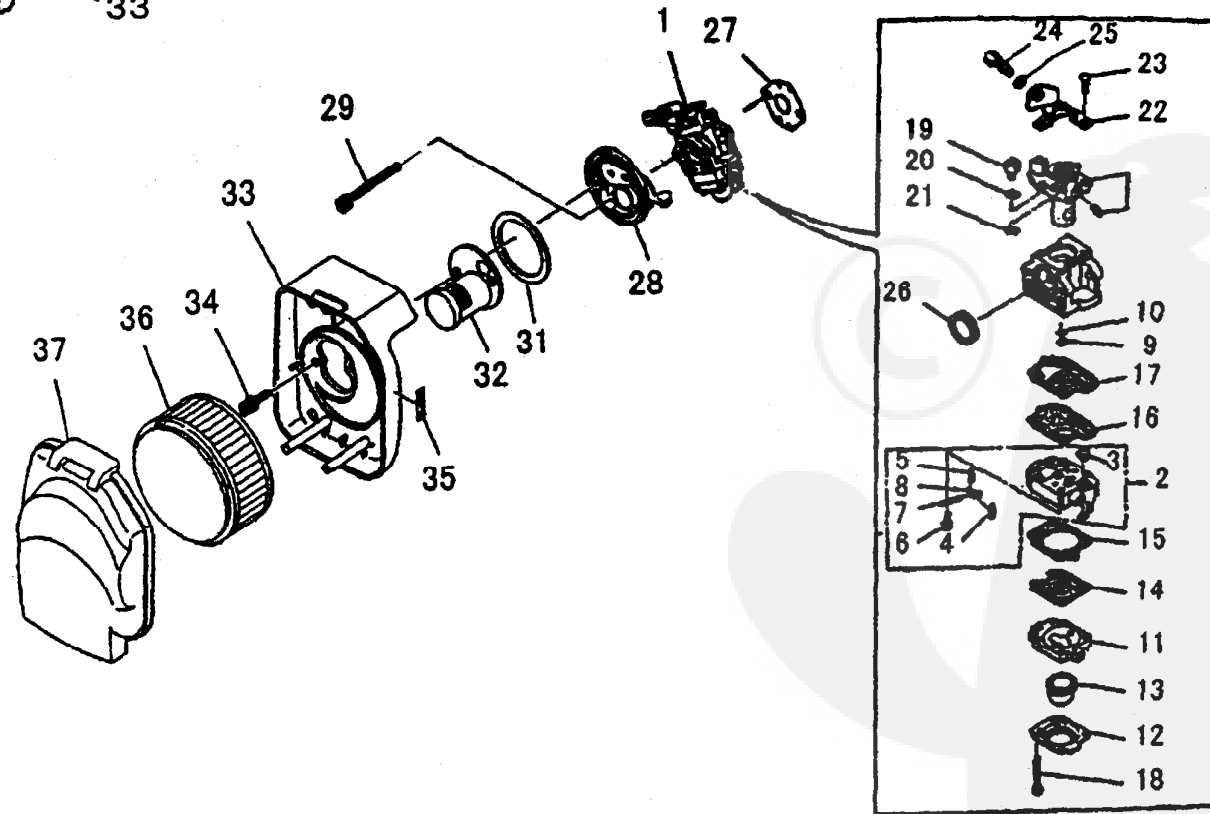
6-1	68206-75010	RECOILSTARTERASSY	1
3	68206-75120	*REEL	1
4	68206-75130	*RECOILSPRING	1
5	68206-75140	*ROPE	1
6	68206-75150	*KNOB	1
7	68206-75310	*DOG	1
8	68206-75320	*WASHER	1
9	68206-75330	*RETAINER	1
10	68206-75340	*WASHER	1
11	68206-75350	*SCREW	1
12	68206-75360	BOLTSLPW	4
13	68206-75210	STARTERPULLY	1
14	11527-10202	FLANGENUT	1
15	19420-00027	LABELTRADE	1



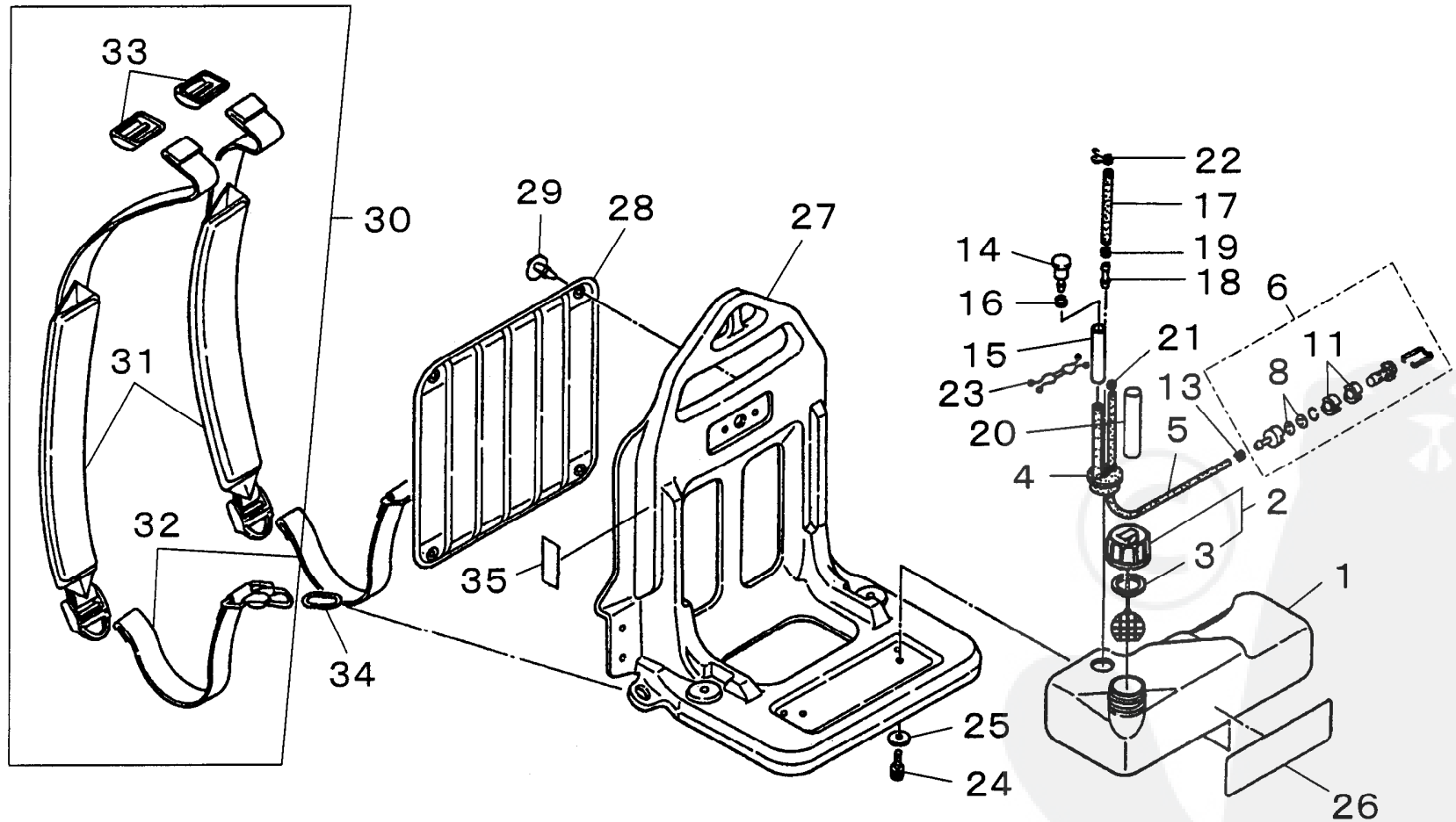
OLD
(~590)



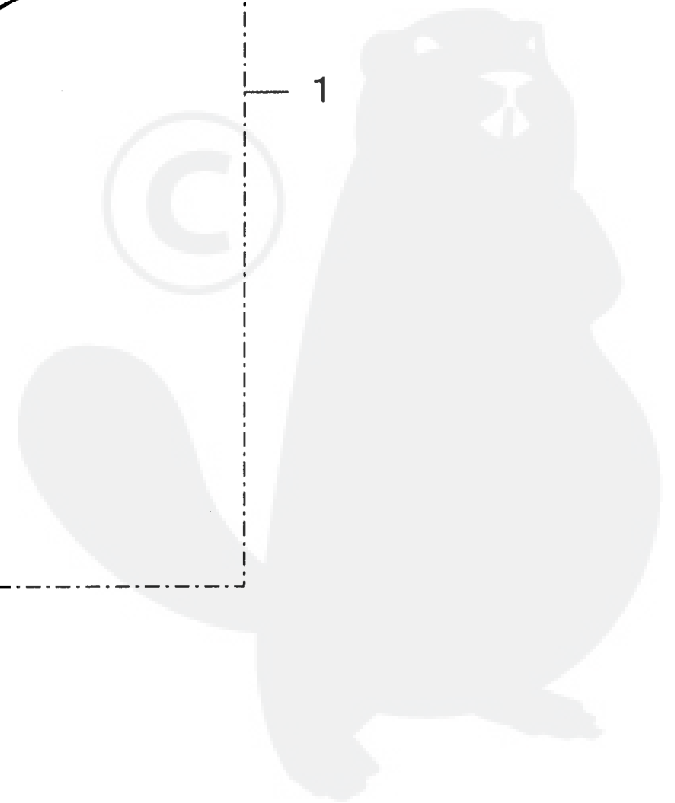
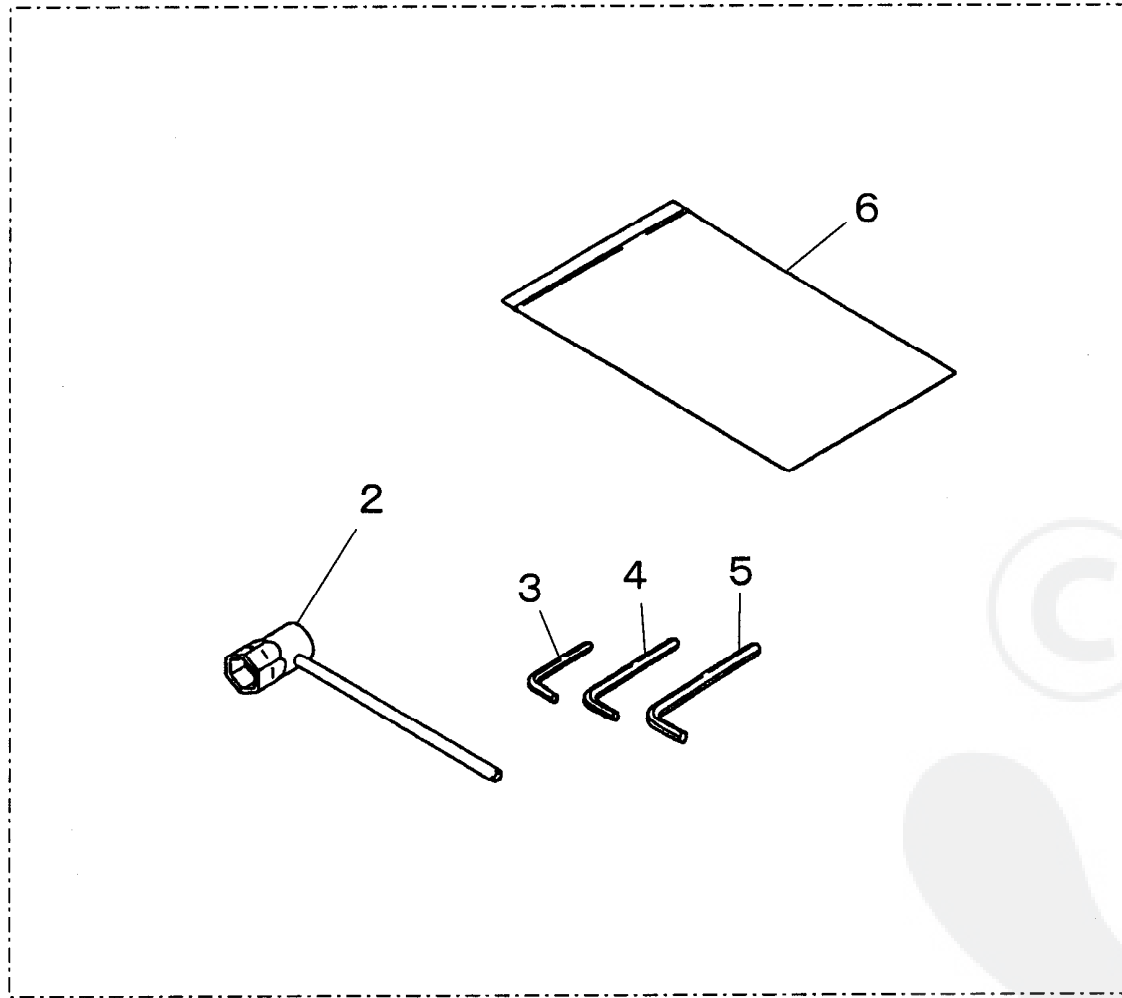
NEW
(591~)



7- 1	68206-81010	CABURETORASSY	1
2	68206-81310	*BODYASSY	1
3	68206-81320	**SCREEN	1
4	68206-81330	**NEEDLEVALVE	1
5	68206-81340	**SPRING	1
6	68206-81350	**SCREW	1
7	68206-81360	**PIN	1
8	68206-81370	**LEVER	1
9	68206-81380	*MAINJET	1
10	68206-81390	*ORING	1
11	68206-81410	*PUMPBASECOMP	1
12	68206-81420	*PUMPCOVER	1
13	68206-81430	*PRIMERPUMP	1
14	68206-81440	*DIAPHRAGM	1
15	68206-81450	*GASKET	1
16	68206-81460	*DIAPHRAGM	1
17	68206-81470	*GASKETPUMP	1
18	68206-81480	*SCREW	1
19	68206-81490	*SWIVEL	1
20	68206-81510	*WASHER	1
21	68206-81520	*SNAPRING	1
22	68206-81530	*CABLEBRACKET	1
23	68206-81540	*SCREW	1
24	68206-81550	*CABLEADJUSTER	1
25	68206-81560	*NUT	1
26	68206-81570	*RINGGASKET	1
27	68206-81210	GASKETCABURETOR	1
28	72935-81501	CHOKECOMP	1
28	68206-82010	CLEANERBODYCOMP	1
29	11020-05500	BOLTSPW	2
30	68206-82310	*SHUTTERPLATE	1
31	72935-82210	GASKET	1
31	68206-82320	*CHOKELEVER	1
32	72935-82130	PIPE	1
32	68206-82330	*SCREW	1
33	68206-82390	CLEANERBODY	1
33	68206-82340	LABELCHOKE	1
34	11024-04140	BOLTSPW	1
34	68206-82120	FILTER	1
35	19404-00008	LABELCHOKE	1
35	68206-82350	PLATE	1
36	68206-82400	FILTER	1
36	68206-82360	SCREEN	1
37	72935-82120	CLEANERCOVER	1
37	68206-82370	SCREWTAPPING	1
38	68206-82040	CLEANERCOVERCOMP	1
39	68206-82130	*CLEANERCOVER	1
40	68206-82380	*KNOB	1
41	11206-05600	SCREWPSW	2



8- 1	68206-85110	FUELTANK	1
2	68204-85020	FUELCAPASSY	1
3	20000-85221	*GASKET	1
4	72933-85350	GROMMET	1
5	68206-85340	PIPE	1
6	22115-85401	FUELFILTERSUBASSY	1
8	22118-85460	*SCREEN	2
11	22128-85421	*FILTER	2
13	20020-85540	CLIP	1
14	20035-85522	VALVE	1
15	72935-85530	PIPE	1
16	20020-85540	CLIP	1
17	68206-85320	PIPE	1
18	72933-85620	JOINT	1
19	20020-85540	CLIP	1
20	68206-85330	PIPE	1
21	20020-85540	CLIP	1
22	37013-85310	CLIP	1
23	72935-85550	CLIP	1
24	11060-05140	BOLTADHESIVE	2
25	15401-10010	COLLAR	2
26	68206-91021	LABELTRADE	1
27	68206-86110	FRAME	1
28	72935-86120	PAD	1
29	72935-86130	CLIP	4
30	68206-87010	BANDASSY	2
31	68206-87110	*BAND	2
32	72935-87120	*BAND	2
33	72451-17230	*BUCKLE	2
34	72935-87310	RING	2
35	19402-00148	LABELCAUTION	1



9- 1	72935-91000	TOOLSET	1
2	22900-91180	*PLUGWRENCH	1
3	09026-03001	*HEXAWRENCH	1
4	09026-04001	*HEXAWRENCH	1
5	09026-05001	*HEXAWRENCH	1
6	19639-01100	*POLYBAG	1

