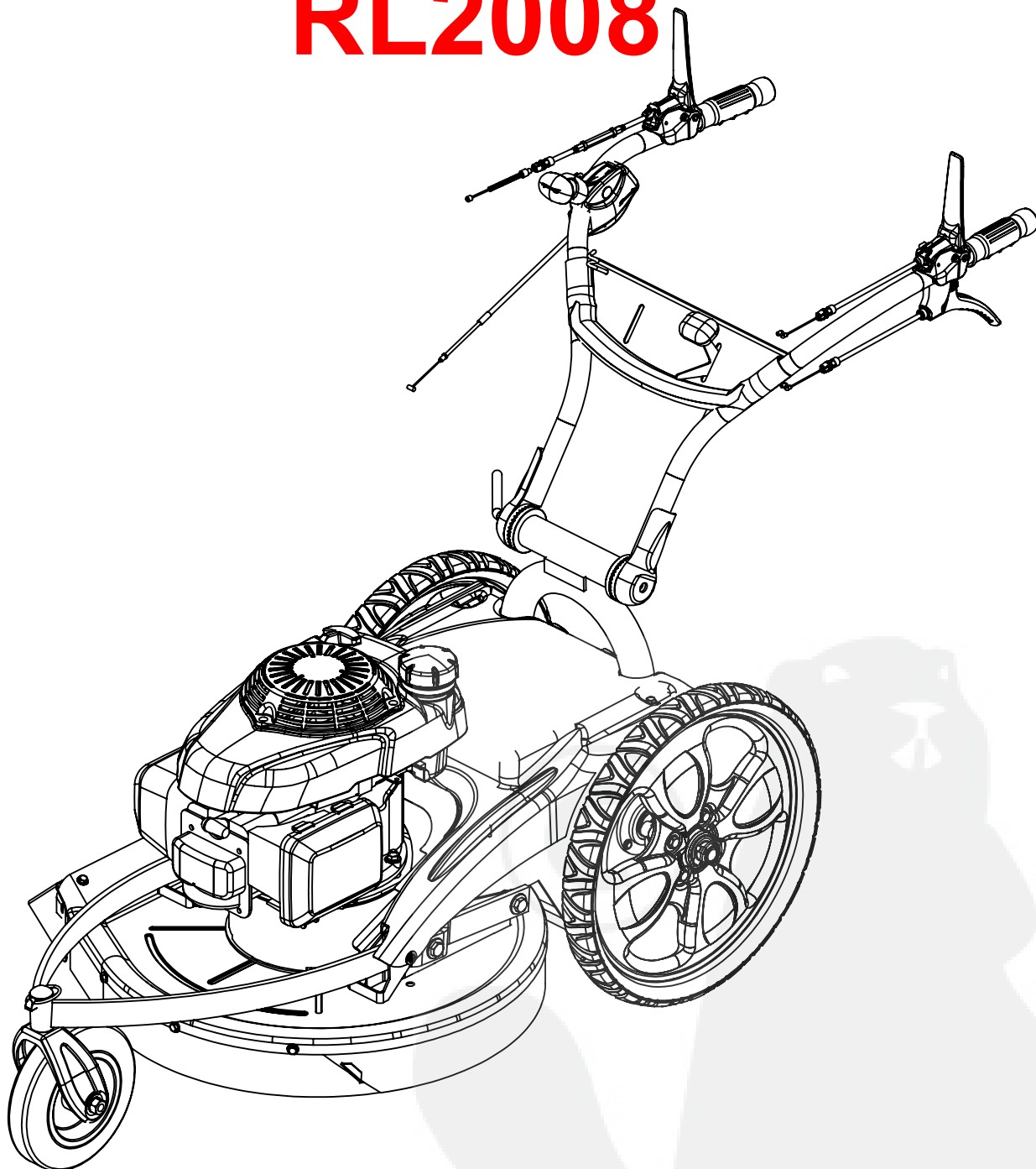
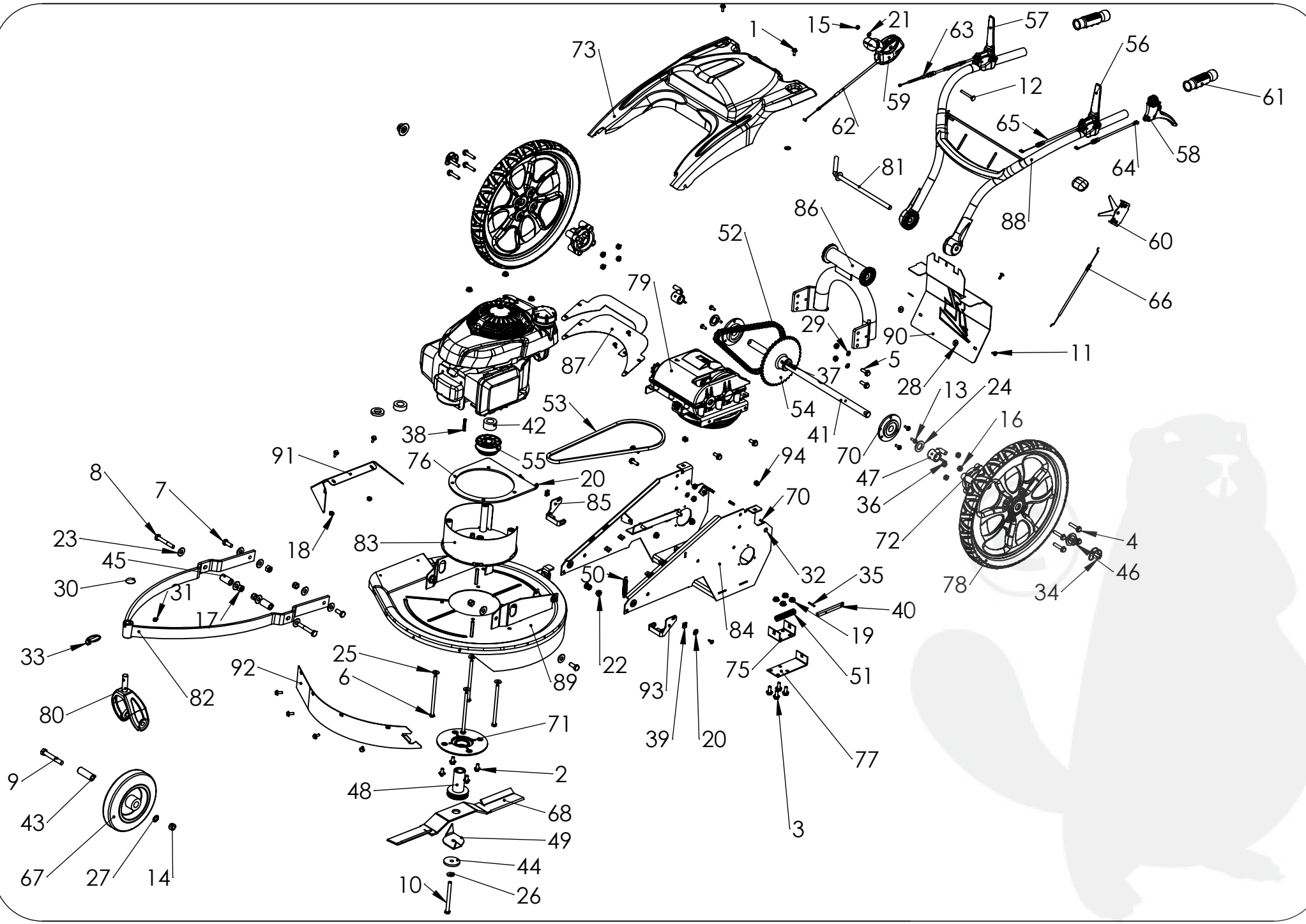


Pièces de rechange Spare parts list

RL2008



**DEBROUSSAILLEUSE
BRUSHCUTTER**



Rep N°	Ref.	Désignation	Description	Moteur Engine	MAv/MAR*	Qte
1	0300010609	VIS H 6x16 Z EMB CR DIN 6921	SCREW HM 6X16 Z NOTCHED SHOULD			8
2	0300010815	VIS H 8x16 Z EMB CR DIN 6921 CL 6.8	SCREW H M8X16 Z NOTCHED SHOULDER CL 6.8			4
3	0300010816	VIS H 8x20 Z EMB CR	SCREW H M8X20 Z NOTCHED SHOULDER CL 8.8			10
4	0300010817	VIS H 8x40 Z EMB CR DIN 6921	SCREW H M8 X 40			8
5	0300010838	VIS H 8x25 Z EMB CR DIN 6921 CL 6.8	SCREW H 8x25 Z DIN 6921 NOTCHED SHOULDER CL 6.8			4
6	0300010845	VIS H 8x140/22 Z CL8.8 DIN 931 - ISO 4014	Screw HM 8x140 z			4
7	0300011008	VIS H 10 X25 Z DIN 933/8/8	SCREW H M10x25 Z			4
8	0300011011	VIS H 10X70/26 Z DIN 931/6.8	Screw H M10x70 z			2
9	0300011206	VIS H M 12x80/30 Z ISO 4014 CL 6.8	SCREW H M 12X80/30 Z ISO4014			1
10	0300060309	VIS 3/8 TH24 UNF LG 105 Z	Screw 3/8 TH24 UNF Lg70			1
11	0300080405	VIS TOLE TETE POELIER D11 POZI Cr 4.2X16 Z	SCREW POZI 4.2X16Z			10
12	0300080605	VIS TRCC 6 X 55/20 Z Din603	Screw TRCC M6x55 z			1
13	0300090602	VIS AUTOTAR TH A EMB 6 X 16 Z	Screw HM6x16 z Self-tapping			6
14	0300201201	ECROU M12	NUT M12			1
15	0300210602	ECROU FREIN M 6 Z DIN 985-8	BLOCKING NUT M 6 Z			1
16	0300210802	ECROU FREIN M 8 Z DIN 985/8	BLOCKING NUT HM 8 Z DIN 985/8			14
17	0300211001	ECROU FREIN M 10 Z DIN 985/8	BLOCKING NUT M 10 Z			6
18	0300260601	ECROU HM 6 ZEMB CR DIN 6923	NUT H M6 Z NOTCHED SHOULDER			6
19	0300260801	ECROU HM 8 ZEMB CR DIN 6923-8	NUT H M8 Z NOTCHED SHOULDER			12
20	0300400601	RONDELLE 6 X 18 X 1.2 Z SERIE L	Washer M6x18x1.2 Z			2
21	0300400602	RONDELLE PLATE M 6X14X1,2 Z	PLATE WASHER M 6X14X1,2 Z NFEN 25513			1
22	0300400802	RONDELLE PLATE M 8X18X1,5 Z NFE 25513	PLATE WASHER M 8X18X1,5 Z NFE 25513			2
23	0300401001	RONDELLE PLATE M 10X27X2 Z NFE 27611	PLATE WASHER M 10X27X2 Z NFE 27611			12
24	0300402001	RONDELLE PLATE 21x36x3z	WASHER 21x36x3z			2
25	0300430801	RONDELLE CONTACT M8 NF E 25511	CONTACT WASHER 8			4
26	0300431001	RONDELLE CONTACT 10 BIC NFE 25-511	Elastic washer 10 Bic			1
27	0300441201	RONDELLE EVENTAIL 12 Z	EXTERNAL TOOTH LOCK WASHER 12			1
28	0300470501	RONDELLE NOIR PA6.6 QUICKLOCK SERIE60	BLACK PA6.6 WASHER QUICKLOCK SERIE60			6
29	0300480801	RONDELLE NORDLOCK M8 NL8				4
30	0300701601	CALOTTE AUTO BLOQUANTE 16x30 6201630				1
31	0301000012	GRAISSEUR M6x100				1
32	0301000019	RIVET STD TP 6.4X22 14	RIVET STD TP 6.4X22 14			2
33	0301010009	GOUPILLE CLIPS 8X42 ZING	Cotter-pin			1
34	0301010013	GOUPILLE CLIPS 8 x 36	CLIP PIN D8 x 36			2
35	0301020002	GOUPILLE HBK 4x24	Cotter-pin 4x24 HBK			1
36	0301020004	GOUPILLE HBK 5x30 ISO 8748ST	Pin Ø5x30 HBK			2
37	0301020005	GOUPILLE HBK 5x40	Pin Ø5x40 HBK			1
38	0301040001	CLAVETTE 4.76X4.76X 40 BTS DRO TOL h 9 - XC 48	KEY 4.76X4.76X40 DRO TOL h 9 - XC 48			1
39	0301050001	CLIPS PRESTOLE Z/VIS 4.2 EP 4	CLIPS 4.2			10
40	0302010030	AXE RELEVAGE xE51-03xBICHx	Locking pin			1
41	0302010171	ARBRE ROUE				1
42	0302020045	ENTRETOISE 40x22x22 Moteur GCV E51ProV2	Spacer 40 x 22 x 22 (GCV)			1
42	0302020197	ENTRETOISE 40x22x6.8 Moteur R170 - BS				1
42	0302020198	ENTRETOISE 40x22x14 Moteur Kholer				1
43	0302020124	ENTRETOISE COURTE ACIER				1
44	0302020161	RONDELLE DE BLOCAGE				1
45	0302020195	ENTRETOISE BRAS RJ				2
46	0302020196	BAGUE ARRET ROUE				2
47	0302030014	MOYEU ROUE INTERIEUR xE51x	Wheel hub E51			2

*MAv=Marche Avant / Forward running
MAR=Marche Arrière / Reverse running

Rep N°	Ref.	Désignation	Description	Moteur Engine	MAv/MAR*	Qte
48	0302030107	MOYEU DE LAME				1
49	0304000117	COUPE FILANDREUX E51ProV2	Stringy cutter			1
50	0305010004	RESSORT TR 12.2x75.2 18/10 GAL	EXTENSION SPRING 12.2x75.2			2
51	0305020001	RESSORT CP 13,4x75 16/10	Locking spring			1
52	0306020044	CHAINE OUV. ISO 08B 12.7mm				1
53	0306030055	COURROIE 6220MC AVX10 x 1000La	Belt AVX10 x 1000La			1
54	0306050090	PIGNON 40dts PAS 12.7				1
55	0306060014	POULIE MOTEUR VARIATRICE D22.2 FLASQUE MOBILE ALU	VARIATION MOTOR PULLEY Ø22.2			1
56	0307010051	POIGNEE HOME MORT GLT1453 001				1
57	0307010064	LEVIER EMB MAV LASC C=30 TEMPO LASC35Y00T.MA				1
58	0307010066	LEVIER REG HT LAB D7B01+TEMPO LABC7B01.RH	LEVER LAB D25 STROKE 30 Handlebar D25mm			1
59	0307020021	MANETTE VAR. VITESSE x LGK07FK40	Speed transition lever LGK07FK40			1
60	0307020026	MANETTE ACCELERATEUR				1
61	0307020027	POIGNEE GUIDON				2
62	0308010018	CABLE VARIATION VITESSE LG GAINÉ 870 C45 COUDE				1
63	0308020071	CABLE EMBR MAV LG1080 CF125				1
64	0308030012	CABLE REGL HAUTEUR COUPELLE	Height setting cable			1
65	0308050012	CABLE FREIN MOTEUR 1354/55 (manette LASC)	ENGINE BRAKE CABLE 1354/55 (LASC lever)			1
66	0308080006	CABLE DE GAZ				1
67	0309000045	ROUE D=200 FASQUE TOLE				1
68	0320020017	LAME COUDEE L=53				1
69	0330011027 GCV190					1
70	0340030013	PALIER ARBRE ROUE DIAM 20	WHEEL FLANGE BEARING Ø20			2
71	0340030028	PALIER COUPELLE	Flange bearing			1
72	0340030050	MOYEU DE ROUE D1001 NOIR RAL9005	Black RAL9005 D1001 wheel hub			2
73	0340410001	CAPOT JAUNE				1
70	3002080101	PATTE FIX TOLE PROT GRANJAxBIC	fixing protective sheet			2
75	4002000102	SUPP AXE RELEVAGExE51-03xBICHx	Locking pin support			1
76	4002080311	REHAUSSE MOTEUR BVM NOIR RAL9005	Black RAL9005 Xtrem BVM engine upstand			1
77	4004020003	SUPP VERR RELEVAG E51-03	Support locking raising			1
78	4101020008	ROUE NOIRE GIVREE ASSEMBLEE				2
79	4101030001	TRANSMISSION MODULAIRE V2 MAV VAR - MAR				1
80	4102023703	CHAPE RJ NOIRE				1
81	4102023720	POIGNEE LATERALE NOIR GIVRE				1
82	4102023727	SUPPORT RJ NOIR GIVRE				1
83	4102043701	REHAUSSE MOTEUR ACIER NOIR GIV				1
84	4102043702	CHASSIS NOIR GIVRE				1
85	4102043703	ATTACHE CAPOT DROIT NOIR GIVRE				1
86	4102043705	POTENCE RL2008 NOIRE GIVREE				1
87	4102043706	TOLE PROTECTION COURROIE				1
87	4102043707	TOLE PROT COURROIE NOIR GIVREE MOTEUR B&S				1
88	4102043708	GUIDON PERCE NOIR GIVRE				1
89	4102043901	COUPELLE RL2008 JAUNE				1
90	4102043902	CAPOT ARRIERE				1
91	4102043903	ENDAINEUR				1
92	4102043904	JUPE AVANT JAUNE				1
93	4102043704	ATTACHE CAPOT CENTRAL GAUCHE				1
94	K300230602	ECROU RAPID M6 C 4806 C	NUT RAPID M6 C 4806C			2

*MAv=Marche Avant / Forward running
MAR=Marche Arrière / Reverse running