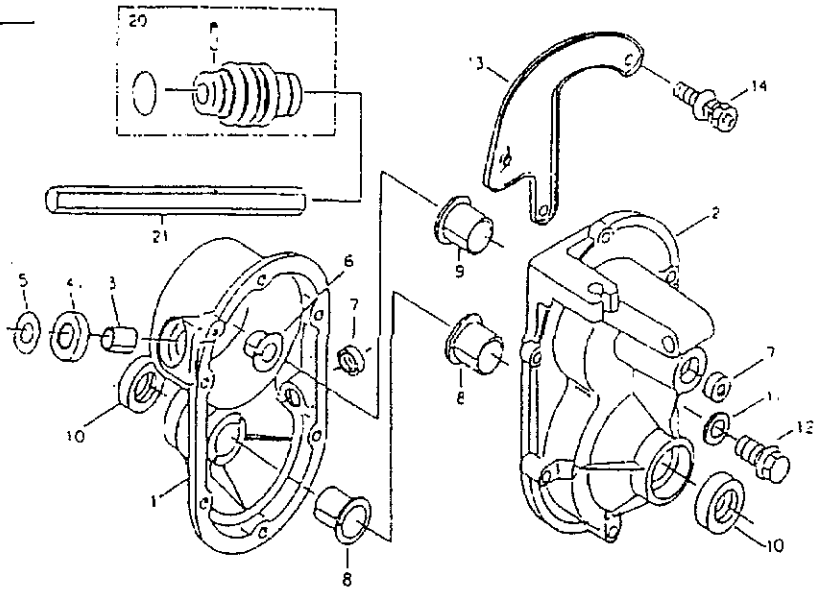
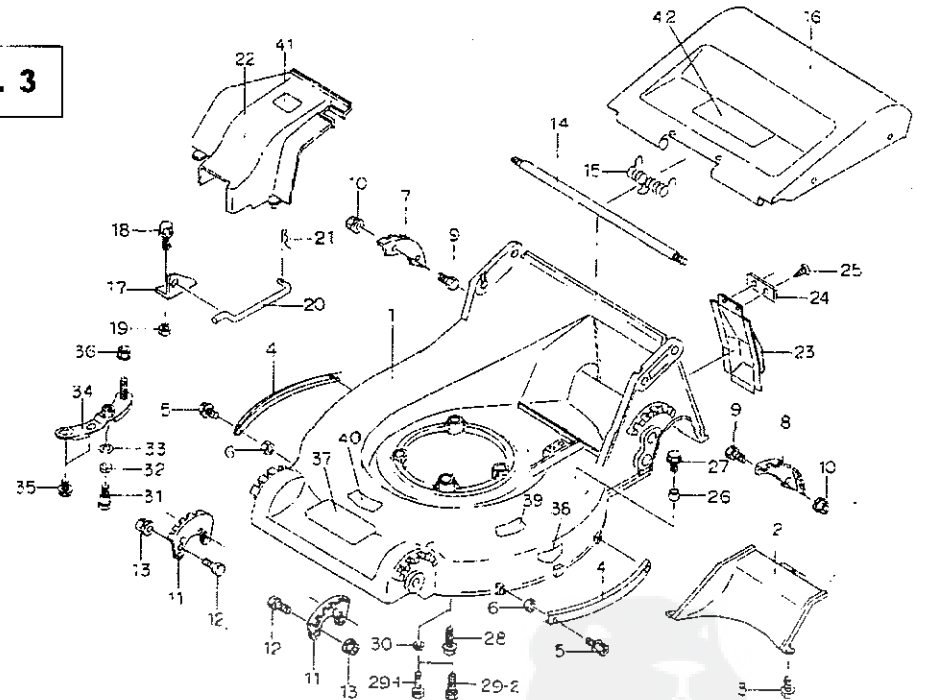


# GR481, 531, 532 PARTS

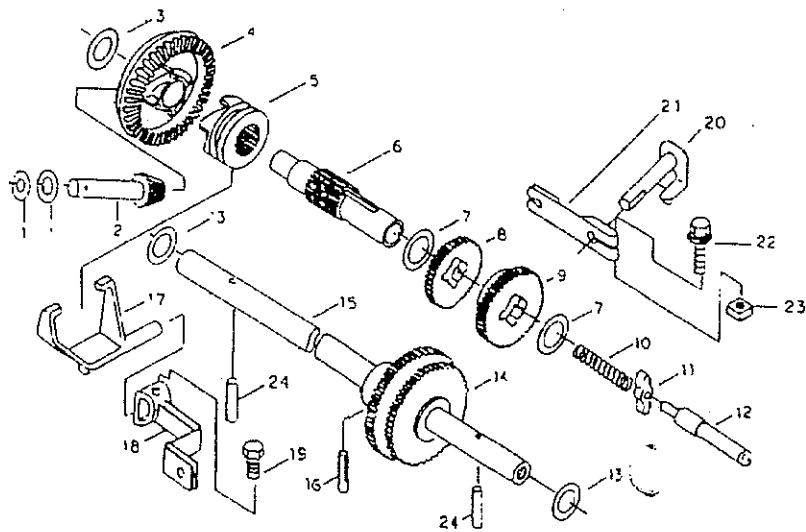
**Fig. 1**



**Fig. 3**



**Fig. 2**



**Fig. 4 (GR481, 531)**

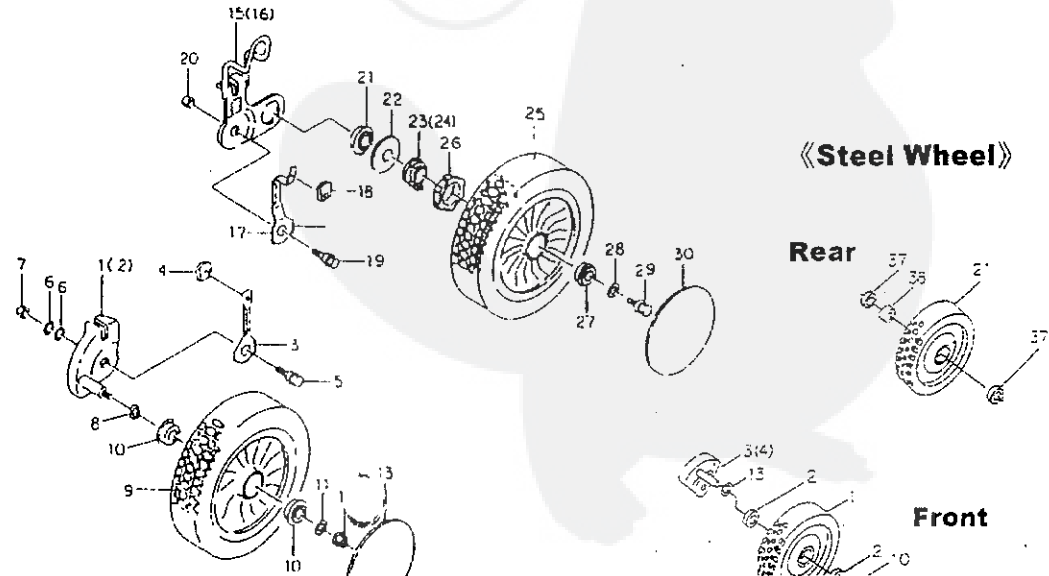


Fig 1 (GR532)

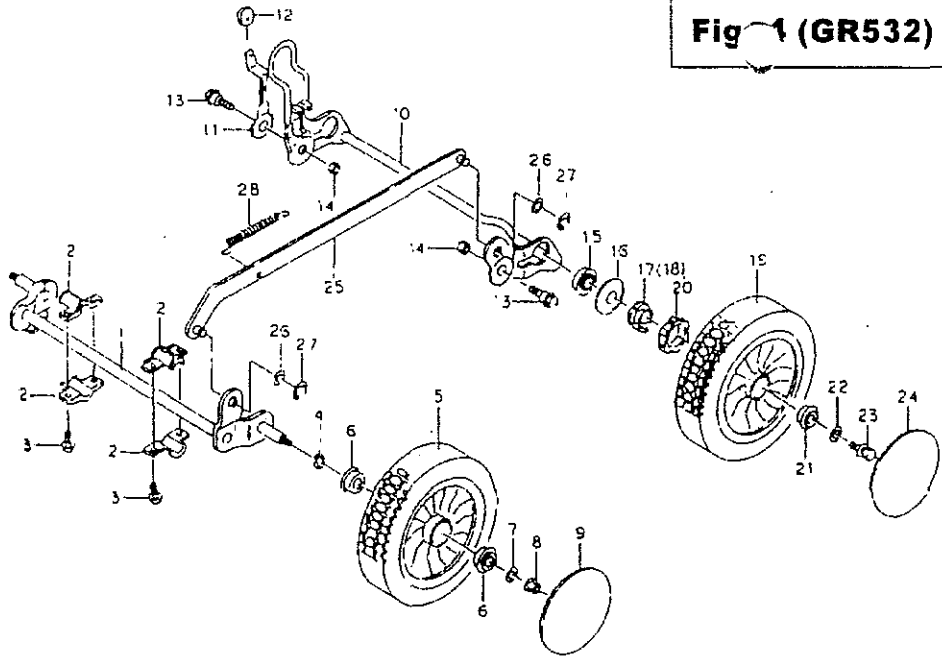


Fig. 6

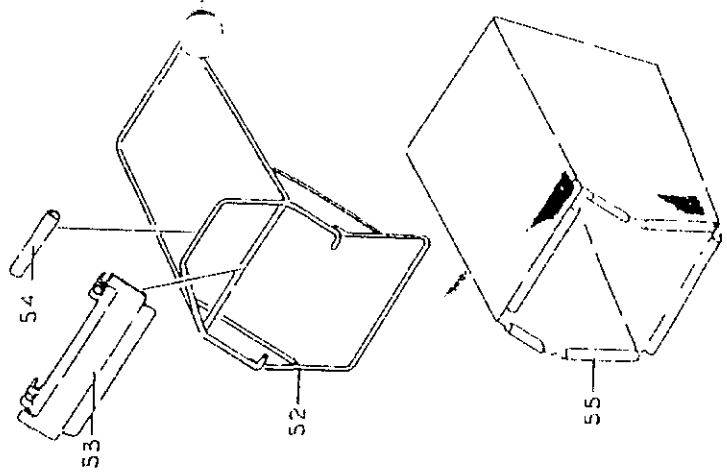
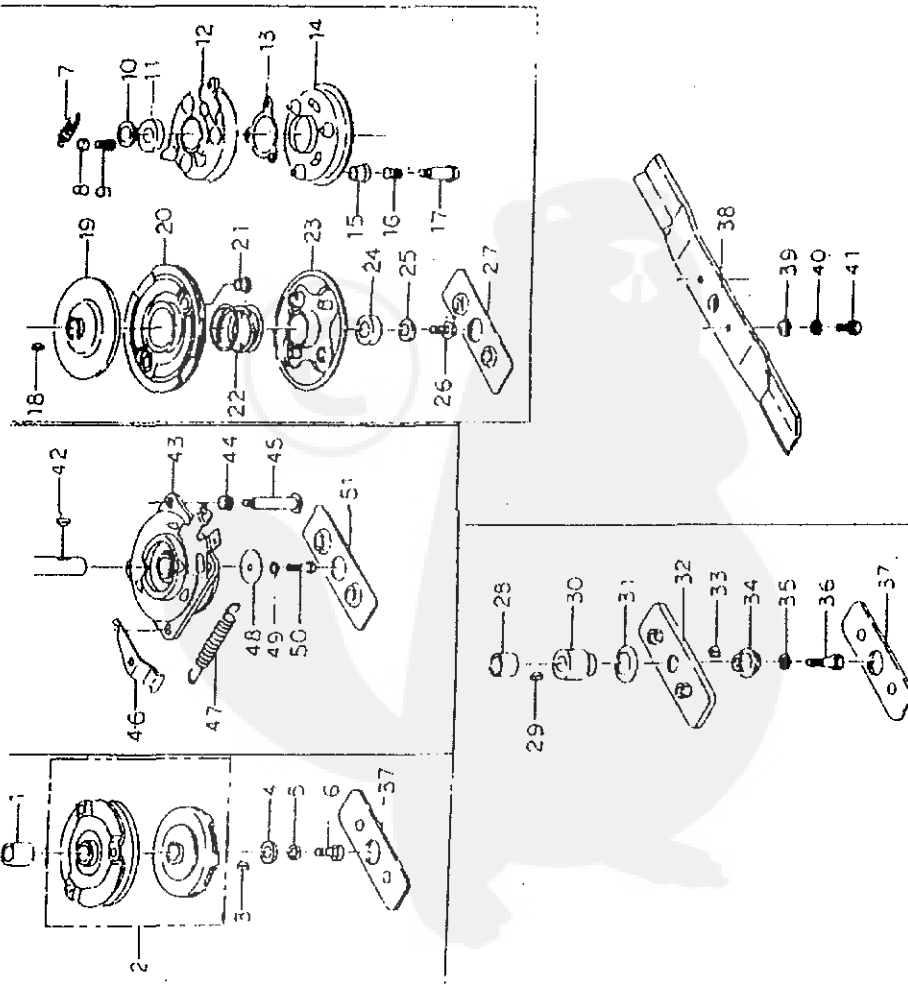
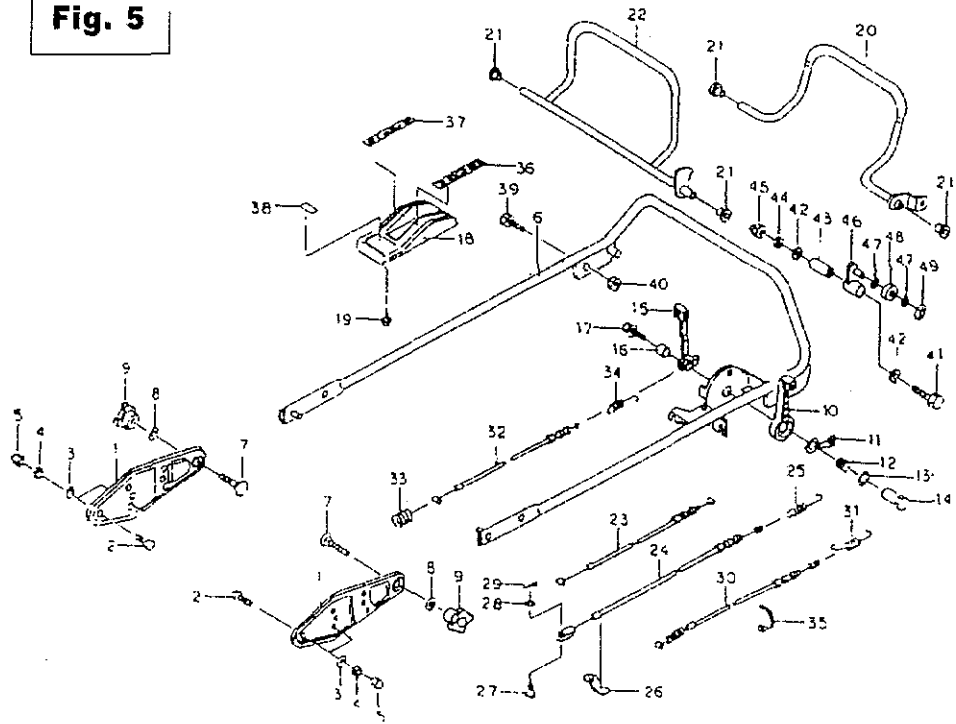


Fig. 5



**Fig. 1 Gear Case**

Ref.	Parts No.	Quantity						Remarks
		481		531		532		
		C	D	C	D	C	D	
1	80-1020-100-00	1	1	1	1	1	1	
2	80-1020-101-00	1	1	1	1	1	1	
3	80-1020-103-00	1	1	1	1	1	1	
4	89-3512-010150	1	1	1	1	1	1	
5	89-5121-102007	1	1	1	1	1	1	
6	83-1210-352-00	1	1	1	1	1	1	
7	89-3511-012100	1	1	1	1	1	1	
8	89-5131-081404	2	2	2	2	2	2	
9	89-3511-015150	2	2	2	2	2	2	
10	89-3511-016150	1	1	1	1	1	1	
11	89-5121-152507	2	2	2	2	2	2	
12	83-1020-349-00	1	1	1	1	1	1	
13	89-1254-100143	1	1	1	1	1	1	
14	80-1020-198-10	1	1	1	1	1	1	
20	89-1144-060223	6	6	6	6	6	6	
21	80-1020-515-00	2	2	2	2	2	2	
	80-1020-522-10	1	1	1	1	1	1	FC150V
	80-1020-525-00	1	1	1	1	1	1	GXV120
	80-1020-526-00	1	1	1	1	1	1	GXV160

**Fig. 2 Gear Case (Inside, Outside)**

Ref.	Parts No.	Quantity					
		C	D	C	D	C	D
1	83-1020-351-00	2	2	2	2	2	2
2,4	80-1020-115-10	1	1	1	1	1	1
2	80-1020-116-10	1	1	1	1	1	1
3	83-1020-355-00	1	1	1	1	1	1
4	80-1020-117-10	1	1	1	1	1	1
5	80-1020-119-10	1	1	1	1	1	1
6	80-1020-118-20	1	1	1	1	1	1
7	83-1020-363-00	2	2	2	2	2	2
8~9	80-1020-125-10	1	1	1	1	1	1
8	80-1020-123-10	1	1	1	1	1	1
9	80-1020-121-10	1	1	1	1	1	1
10	80-1020-161-00	1	1	1	1	1	1
11	80-1020-108-00	1	1	1	1	1	1
12	83-1020-107-00	1	1	1	1	1	1
13	83-1020-361-00	2	2	2	2	2	2
14	80-1020-148-30	1	1	1	1	1	1
15	80-1020-146-00	1	1	1	1	1	1
16	83-1020-157-00	1	1	1	1	1	1
17	80-1020-113-00	1	1	1	1	1	1
18	80-1020-153-10	1	1	1	1	1	1
19	89-1113-060123	1	1	1	1	1	1
20	80-1020-106-00	1	1	1	1	1	1
21	80-1020-193-10	1	1	1	1	1	1
22	89-1144-060253	1	1	1	1	1	1
23	83-1020-198-00	1	1	1	1	1	1
24	89-2142-050250	2	2	2	2	2	2

**Fig. 3 Safety Cover**

Ref.	Parts No.	Quantity					
		C	D	C	D	C	D
1	80-1010-731-00	1	1				
	80-1022-731-00			1	1	1	1
2	80-1010-714-00	1	1				
	80-1022-714-00			1	1	1	1
3	83-1020-143-00	3	3				
	83-1020-148-00			3	3	3	3
4	80-1010-741-00	2	2				
5	89-1133-060163	4	4				
6	89-1511-060043	4	4				
7	80-1022-748-00			1	1	1	1
8	80-1022-747-00			1	1		
9	89-1113-060143			4	4	2	2
10	89-1541-060003			4	4	2	2
11	80-1022-745-00			2	2		
12	89-1113-060143			4	4		
13	89-1541-060003			4	4		
14	80-1020-207-10	1	1	1	1	1	1
15	80-1020-753-00	1	1	1	1	1	1
16	80-1022-751-00	1	1	1	1	1	1
17	80-1020-705-30	1	1	1	1	1	1
18	89-1132-080253	2	2	2	2	2	2
19	89-1511-080043	2	2	2	2	2	2
20	80-1020-707-20	1	1	1	1	1	1
21	89-2131-080002	1	1	1	1	1	1
22	80-1020-733-00	1	1				
	80-1022-733-00			1	1	1	1
	80-1022-734-00			1	1	1	1
23	80-1020-735-00	1	1				
24	80-1020-736-00	1	1				

**Fig. 3 Safety Cover**

Ref.	Parts No.	Quantity						Remarks
		481		531		532		
		C	D	C	D	C	D	
25	89-1162-050163	2	2					
26	80-1024-952-00					1	1	
27	83-1515-148-00					1	1	
28	89-1133-100503	3	3	3	3	3	3	FC150V
29-1	83-1020-116-00	2	2	2	2	2	2	GXV120-GXV160
29-2	83-1022-116-00			1	1	1	1	GXV160 *1
30	89-1750-080003	2	2	2	2	2	2	GXV120-GXV160
31	80-1010-789-00	1	1	1	1	1	1	GXV120-GXV160
32	89-1750-100003	1	1	1	1	1	1	GXV120-GXV160
33	89-1711-100003	1	1	1	1	1	1	GXV120-GXV160
34	80-1020-721-00	1	1	1	1	1	1	GXV120-GXV160
35	83-1020-148-00	2	2	2	2	2	2	GXV120-GXV160
36	83-1310-191-00	1	1	1	1	1	1	GXV120-GXV160
37	80-1020-902-00	1	1	1	1	1	1	
38	80-1020-926-00	2	2					
	80-1020-927-00			2	2	2	2	
39	80-1020-907-00	1	1	1	1	1	1	
40	80-1020-928-00	1	1	1	1	1	1	
41	80-1022-909-00	1	1	1	1	1	1	
42	80-1020-929-00	1	1	1	1	1	1	

**Fig. 4 Front Wheel - Rear Wheel (GR481-531)**

Ref.	Parts No.	Quantity						Remarks
		C	D	C	D	C	D	
1	80-1021-404-10	1	1	1	1			
2	80-1021-405-10	1	1	1	1			
3	80-1020-424-10	2	2					
	80-1022-424-00			2	2			
4	80-1020-426-10	2	2	2	2			
5	80-1020-406-10	2	2	2	2			
6	83-1020-395-00							for Adjustment
7	89-1551-080003	2	2	2	2			
8	83-1022-369-00	2	2	2	2			
9~10	80-1022-421-00	2	2	2	2			
9	80-1022-407-00	2	2	2	2			
10	80-1022-431-00	4	4	4	4			
11	89-1713-080003	2	2	2	2			
12	89-1541-080003	2	2	2	2			
13	80-1022-441-00	2	2	2	2			
15	80-1020-414-20	1	1					
	80-1022-414-00			1	1			
16	80-1020-415-20	1	1					
	80-1022-415-00			1	1			
17	80-1022-425-00	2	2	2	2			
18	80-1020-426-10	2	2	2	2			
19	80-1020-406-10	2	2	2	2			
20	89-1551-080003	2	2	2	2			
21	83-1020-987-00	2	2	2	2			
22	80-1020-433-00	2	2	2	2			
23	80-1020-458-00	1	1	1	1			
24	80-1020-459-00	1	1	1	1			
25~27	80-1022-422-00	2	2	2	2			
25	80-1022-408-00	2	2	2	2			
26	80-1020-409-00	2	2	2	2			
27	80-1022-432-00	2	2	2	2			
28	89-1713-080003	2	2	2	2			
29	89-1132-080203	2	2	2	2			
30	80-1022-441-00	2	2	2	2			

**Steel wheel**

Ref.	Parts No.	Quantity						Remarks
		C	D	C	D	C	D	
1~2	80-1020-481-00			2	2			
1	80-1020-483-00			2	2			
2	89-3115-062024			4	4			
3	80-1020-404-10			1	1			
4	80-1020-405-10			1	1			
10	83-1415-344-00			2	2			
11	89-1132-080203			2	2			
13	83-1020-361-00			2	2			
21~38	80-1020-482-00			2	2			Ref. 21, 37, 38
21	80-1020-484-00			2	2			
37	89-3115-062024			4	4			
38	80-1020-486-00			2	2			

**Fig. 4 Front Wheel - Rear Wheel (GR532)**

Ref.	Parts No.	Quantity					
		C	D	C	D	C	D
1	80-1023-405-00					1	1
2	80-1023-742-00					4	4
3	83-1020-148-00					4	4
4	83-1022-369-00					2	2
5~6	80-1022-421-00					2	2
5	80-1022-407-00					2	2

**Fig. 4 Front Wheel - Rear Wheel (GR532)**

Ref.	Parts No.	Quantity						Remarks
		481		531		532		
		C	D	C	D	C	D	
6	80-1022-431-00					4	4	
7	89-1713-080003					2	2	
8	89-1541-080003					2	2	
9	80-1022-441-00					2	2	
10	80-1023-415-00					1	1	
11	80-1022-425-00					1	1	
12	80-1020-426-10					1	1	
13	80-1020-406-10					2	2	
14	89-1551-080003					2	2	
15	83-1020-987-00					2	2	
16	80-1020-433-00					2	2	
17	80-1020-458-00					1	1	
18	80-1020-459-00					1	1	
19~21	80-1022-422-00					2	2	
19	80-1022-408-00					2	2	
20	80-1020-409-00					2	2	
21	80-1022-432-00					2	2	
22	89-1713-080003					2	2	
23	89-1132-080203					2	2	
24	80-1022-441-00					2	2	
25	80-1023-416-00					1	1	
26	89-1713-100003					2	2	
27	89-2521-000083					2	2	
28	80-1023-417-00					1	1	

**Fig. 5 Handle**

1	80-1022-201-00	2	2	2	2	2	2	
2	89-1113-080253	2	2	2	2	2	2	
3	89-1711-080003	4	4	4	4	4	4	
4	89-1750-080003	4	4	4	4	4	4	
5	89-1571-080043	4	4	4	4	4	4	
6	80-1022-211-00		1		1		1	
	80-1022-224-00	1		1		1		
7	89-1412-080403	2	2	2	2	2	2	
8	89-1711-080003	2	2	2	2	2	2	
9	80-1020-228-10	2	2	2	2	2	2	
10	80-1020-261-00	1	1	1	1	1	1	FC150V
	80-1020-265-00	1	1	1	1	1	1	GXV120·GXV160
11	80-1020-264-00	1	1	1	1	1	1	
12	80-1020-263-00	1	1	1	1	1	1	
13	89-1711-120003	1	1	1	1	1	1	
14	80-1020-262-00	1	1	1	1	1	1	
15	80-1020-260-00	1	1	1	1	1	1	
16	80-1020-270-00	1	1	1	1	1	1	
17	89-1133-080303	1	1	1	1	1	1	
18	80-1020-231-00	1	1	1	1	1	1	
19	89-1161-050123	2	2	2	2	2	2	
20	80-1022-242-00	1	1	1	1	1	1	
21	80-1020-243-00	4	4	4	4	4	4	
22	80-1022-252-00	2	2	2	2	2	2	
23	83-1024-952-00	1	1	1	1	1	1	FC150V
	83-1022-955-10	1	1	1	1	1	1	GXV120·GXV160
24	83-1024-945-00	1	1	1	1	1	1	
	83-1022-958-00	1	1	1	1	1	1	FC150V
25	80-1021-968-10	1	1	1	1	1	1	
26	80-1010-717-00		1		1		1	
27	89-2181-060162		1		1		1	
28	89-1711-060002		1		1		1	
29	89-2120-200152		1		1		1	
30	83-1024-932-00	1	1	1	1	1	1	
31	80-1022-966-10	1	1	1	1	1	1	
32	83-1024-936-00	1	1	1	1	1	1	
33	80-1020-969-00	1	1	1	1	1	1	
34	80-1020-967-00	1	1	1	1	1	1	
35	83-1415-718-00	2	2	2	2	2	2	
36	80-1020-911-00	1	1	1	1	1	1	FC150V
	80-1020-913-00	1	1	1	1	1	1	GXV120·GXV160
37	80-1020-912-00	1	1	1	1	1	1	
38	80-1020-903-00	1	1	1	1	1	1	
39	89-1113-080303	1	1	1	1	1	1	
40	89-1511-080043	1	1	1	1	1	1	
41	80-1113-080503	1	1	1	1	1	1	
42	89-1713-080003	2	2	2	2	2	2	
43	80-1022-254-00	1	1	1	1	1	1	
44	89-1750-080003	1	1	1	1	1	1	
45	80-1571-080043	1	1	1	1	1	1	
46	80-1021-252-00	1	1	1	1	1	1	

**Fig. 5 Handle**

Ref.	Parts No.	Quantity						Remarks
		481		531		532		
		C	D	C	D	C	D	
47	83-1020-395-00	2	2	2	2	2	2	
48	80-1021-253-00	1	1	1	1	1	1	with Bush 08.07
49	83-1021-195-00	1	1	1	1	1	1	

**Fig. 6 Blade and Bag**

1	80-1020-944-00							1	FC150V, Note1
2	80-1020-943-00							1	FC150V, Note1
3	80-1020-892-00							1	FC150V
4	83-1610-321-00							1	FC150V, Note1
5	89-1750-100003							1	FC150V
6	83-1020-118-00							1	FC150V
7	80-1020-971-00		2		2			2	GXV120·GXV160
8	80-1020-972-00		2		2			2	GXV120·GXV160
9	83-1020-148-00		2		2			2	GXV120·GXV160
10	80-1020-874-00		1		1			1	GXV120·GXV160
11	80-1020-875-00		1		1			1	GXV120·GXV160
12	80-1020-876-00		1		1			1	GXV120·GXV160
13	80-1020-877-00		1		1			1	GXV120·GXV160
14	80-1020-878-00		1		1			1	GXV120·GXV160
15	80-1020-879-00		3		3			3	GXV120·GXV160
16	80-1020-881-00		3		3			3	GXV120·GXV160
17	80-1020-882-00		3		3			3	GXV120·GXV160
18	80-1020-892-00		1		1			1	GXV120·GXV160
19	80-1020-883-00		1		1			1	GXV120·GXV160
20	80-1020-884-00		1		1			1	GXV120·GXV160
21	80-1020-885-00		2		2			2	GXV120·GXV160
22	80-1020-886-00		1		1			1	GXV120·GXV160
23	80-1020-887-00		1		1			1	GXV120·GXV160
24	80-1020-888-00		1		1			1	GXV120·GXV160
25	83-1020-323-00		1		1			1	GXV120·GXV160
26	89-1254-100252		1		1			1	GXV120·GXV160
27	80-1022-843-00		1		1			1	GXV120·GXV160
28	80-1020-808-00			1			1		FC150V
	80-1020-816-00			1			1		GXV120·GXV160
29	80-1020-892-00		1		1			1	FC150V
30	80-1020-833-00			1			1		FC150V
	80-1020-837-00			1			1		GXV120·GXV160
31	89-1852-280001			1			1		
32	80-1020-807-10			1			1		
33	89-2151-040150			1			1		FC150V
	89-2151-040090			1			1		GXV120·GXV160
34	80-1020-835-00			1			1		FC150V
	80-1020-836-00			1			1		GXV120·GXV160
35	89-1750-100003			1			1		
36	83-1020-115-00			1			1		FC150V
	89-1254-100402			1			1		GXV120·GXV160
37	80-1022-845-00		1		1		1		FC150V, Note1
	80-1022-845-00			1			1		GXV120·GXV160
38	80-1010-821-10		1						
38	80-1020-821-10			1		1	1	1	
39	89-1711-100003	2	2	2	2	2	2	2	FC150V
	89-1711-100003	2	2	2	2	2	2	2	GXV120·GXV160
40	89-1750-100003	2	2	2	2	2	2	2	FC150V
	89-1750-100003	2	2	2	2	2	2	2	GXV120·GXV160
41	89-1113-100253		2		2			2	FC150V, Note1
	89-1113-100303		2		2			2	FC150V, Note2
	89-1113-100253	2		2			2		
	89-1254-100252		2		2			2	GXV120·GXV160
42	80-1020-892-00		1		1			1	FC150V, Note2
43	80-1020-943-10		1		1			1	FC150V, Note2
44	80-1020-958-00		4		4			4	FC150V, Note2
45	80-1020-959-00		4		4			4	FC150V, Note2
46	80-1020-719-00		1		1			1	FC150V, Note2
47	80-1020-965-00		1		1			1	FC150V
48	80-1020-945-10		1		1			1	FC150V, Note2
49	89-1750-100003		1		1			1	FC150V
50	83-1020-119-00		1		1			1	FC150V
51	80-1022-843-00		1		1			1	FC150V, Note2
52	80-1022-851-00		1		1		1	1	
53	80-1022-854-00		1		1		1	1	
54	80-1020-854-00		1		1		1	1	
55	80-1022-853-00		1		1		1	1	

\* 1 GR532, 531 No. VH01M00393~

Note1 GR532D No. ~VE96F00031

Note2 GR532D No. VE97A00032~