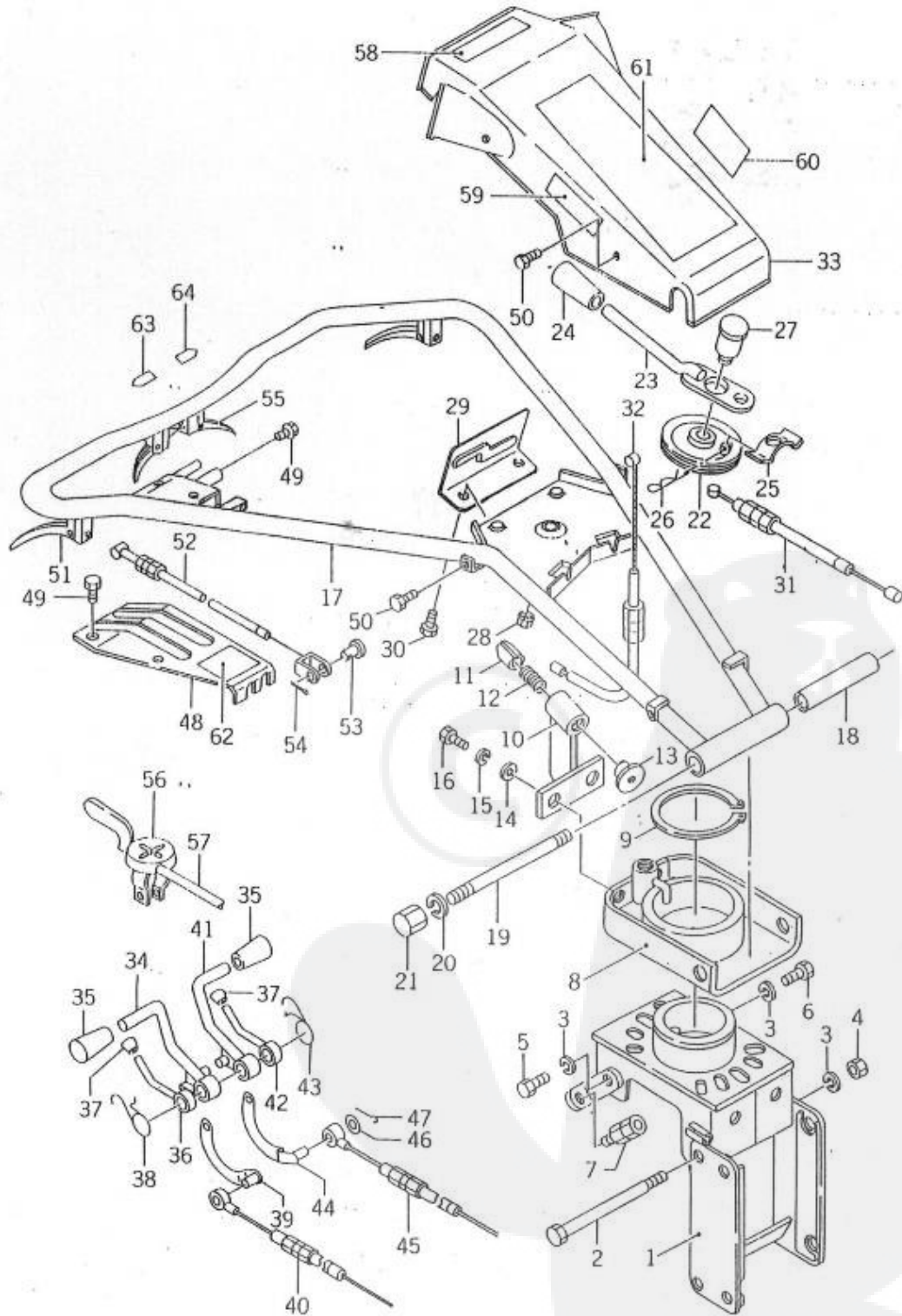


HR550B/660B(1)
Fig.1 Control System



Ref.	Parts No.	Parts Name	Qty.55 0	Qty.66 0	Remarks
1	80-1310-201-00	Bracket for Handle	1	1	
2	89-1113-101222	Bolt, 8T M10*122	4	4	S11101221C
3	89-1750-100002	Spring Washer 10	6	6	S58100000C
4	89-1511-100042	Nut M10	4	4	S31100000C
5	89-1111-100202	Bolt M10*20	1	1	S11100200C
6	89-1111-100162	Bolt M10*16	1	1	S11100160C
7	80-1210-554-00	Stopper for Tension Wire	1	1	
8	80-1310-203-00	Turntable for Handle	1	1	
9	89-2511-000500	Snap Ring 85	1	1	S71S850000
10	80-1310-214-00	Stopper for Handle Up/Down	1		
	80-1330-214-00	Stopper for Handle Up/Down		1	
11	80-1210-216-00	Stopper Pin	2	2	
12	80-1210-217-00	Stopper Spring	2	2	
13	80-1711-215-00	Stopper Cap	2	2	80-1210-215-00
14	89-1711-100002	Washer 10	2	2	S50100000C
15	89-1750-100002	Spring Washer 10	2	2	S58100000C
16	89-1111-100162	Bolt M10*16	2	2	S11100160C
17	80-1310-221-00	Handle	1	1	
18	80-1210-222-00	Handle Setting Collar	1	1	
19	83-1210-133-00	Handle Setting Bolt M12*160	1	1	80-1310-227-00

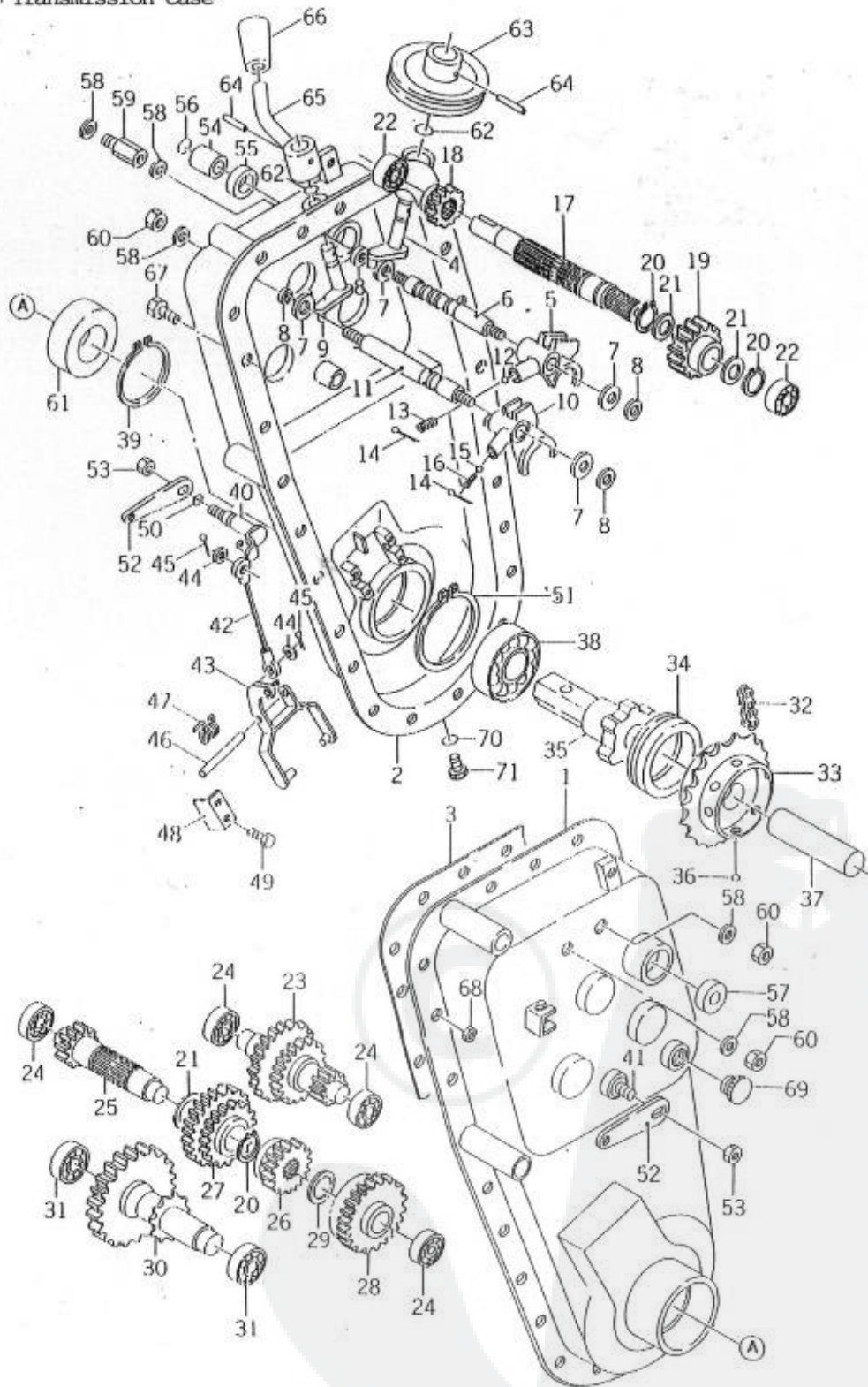
20	89-1750-100002	Spring Washer 10	2	2	S58100000C
21	80-1310-228-00	Handle Fitting Nut	2	2	
22	80-1310-266-00	Wire Guide B	1	1	
23	80-1310-263-00	Change Lever	1	1	
24	83-1210-425-00	Gripe 10	1	1	S781000000
25	80-1310-268-00	Leaf Spring	1	1	
26	89-2131-100002	Snap Pin 10	1	1	S61100000C
27	80-1210-267-00	Change Lever Setting Bolt	1	1	
28	89-1541-080002	Nut, sw M8	1	1	S36080000C
29	80-1310-261-00	Change Guide Plate	1	1	
30	89-1131-060122	Bolt, pw M6*12	2	2	S15060120C
31	83-1310-936-00	Change Wire	2	2	80-1310-954-00
32	83-1310-965-00	Wire Vertical & Horizontal	2	2	80-1310-956-00
33	80-1310-223-00	Handle Bonnet	1	1	80-1310-123-00
34	80-1310-241-00	Main Clutch Lever	1	1	
35	83-1210-425-00	Gripe 10	2	2	S781000000
36	80-1310-247-00	Return Lever, Main Clutch	1	1	
37	83-1310-429-00	Gripe 6	2	2	S780600000
38	80-1310-248-00	Spring	1	1	
39	80-1310-245-00	Joint A	1	1	
40	83-1310-931-00	Wire, Main Clutch	1	1	80-1310-961-00

41	80-1310-251-00	Rotary Clutch Lever	1	1	
42	80-1310-257-00	Return Lever, Rotary Clutch	1	1	
43	80-1310-258-00	Spring	1	1	
44	80-1310-255-00	Joint B	1	1	
45	83-1612-947-00	Wire, Rotary Clutch	1	1	80-1613-964-00
46	89-1711-060002	Washer 6	4	4	S50060000C
47	89-2120-200152	Split Pin 2*15	4	4	S60201500C
48	80-1310-231-00	Clutch Lever Case	1	1	
49	89-1131-060122	Bolt, pw M6*12	3	3	S15060120C
50	89-1151-060122	Screw M6*12	4	4	S27060120C
51	83-1210-457-00	Side Clutch Lever 3101	2	2	S82SC31010
52	83-1310-962-00	Wire, Side Clutch	2	2	80-1310-958-00
53	89-2181-060202	Pin, Cylinder Head 6*20	2	2	S63060200C
54	89-2120-200152	Split Pin 2*15	2	2	S60201500C
55	83-1110-452-00	Lever, Vertical & Horizontal 1205	2	2	S82SC12030
56	83-1210-462-00	Throttle Lever 25	1	1	S82ST20020
57	83-1210-951-00	Throttle Wire	1	1	80-1210-951-00
58	80-1310-911-00	Label	1	1	
59	80-1210-925-00	Label	1	1	
60	80-1210-921-00	Label	1	1	
61	80-1602-904-00	Label	1		80-1310-904-00

	80-1612-904-00	Label			80-1330-904-100
62	80-1310-914-00	Label	1	1	
63	80-1210-917-00	Label	1	1	
64	80-1210-918-00	Label	1	1	



HR550B/660B(1)
Fig.2 Transmission Case



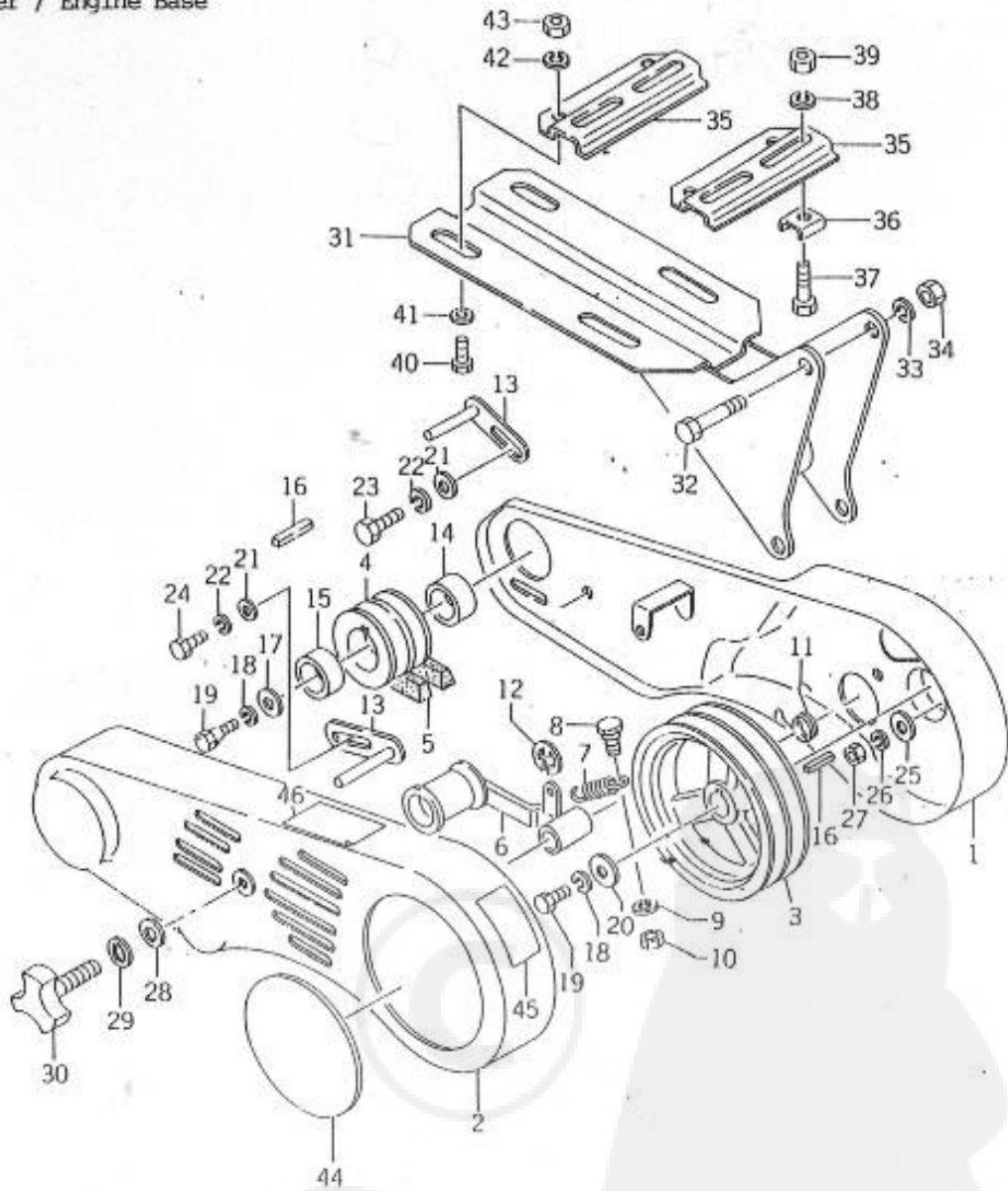
Ref.	Parts No.	Parts Name	Qty.550	Qty.660	Remarks
1	80-1310-101-00	Gear Case (Left)	1		
	80-1330-101-00	Gear Case (Left)		1	
2	80-1310-103-00	Gear Case (Right)	1		
	80-1330-103-00	Gear Case (Right)		1	
3	80-1310-105-00	Case Packing	1	1	
4	80-1310-106-00	Swing Arm	1	1	
5	80-1310-108-00	Shifter Fork	1	1	
6	80-1310-107-00	Shifter Fork Shaft	1	1	
7	83-1210-352-00	Thrust Washer 10*22*1.0	4	4	80-1210-137-00
8	89-5230-100000	Seal Washer 10	4	4	S741000000
9	80-1310-109-00	Swing Arm	1	1	
10	80-1310-111-00	Shifter Fork	1	1	
11	80-1310-110-00	Shifter Fork Shaft	1	1	
12	89-3410-075000	Steel Ball 7.5	1	1	S690750000
13	80-1310-138-00	Spring	1	1	
14	89-2120-200202	Split Pin 2*20	2	2	S602020000
15	89-3410-080000	Steel Ball 8	1	1	S690800000
16	80-1210-139-00	Spring	1	1	
17	80-1310-118-00	The 1st Shaft	1	1	
18	80-1310-120-00	Shifter Gear	1	1	
19	80-1310-121-00	Top Gear	1	1	
20	89-2511-000220	Snap Ring 22	3	3	S71S220000
21	83-1310-374-00	Thrust Washer 22*32*1.0	3	3	80-1310-126-00
22	89-3111-060044	Ball Bearing 6004	2	2	S706004000
23	80-1310-127-00	The 2nd Shaft (complet)	1	1	
24	89-3111-062024	Ball Bearing 6202	4	4	S706202000
25	80-1210-122-00	Back Shaft	1	1	
26	80-1310-130-00	Shifter Gear	1	1	
27	80-1310-123-00	Gear ASSY 23-32T	1	1	
28	80-1310-124-00	Gear 36T	1	1	
29	83-1310-371-00	Thrust Washer 20*30*1.0	1	1	80-1310-133-00
30	80-1310-134-00	The 3rd Shaft (complet)	1	1	
31	89-3111-062034	Ball Bearing 6203	2	2	S706203000
32	89-6513-520046	Chain #520-46	1	1	S835200460
33	80-1310-148-00	Sprocket, 23T	1	1	
34	80-1310-143-00	Side Clutch Cone	2	2	

35	80-1310-146-00	Axle	2		
	80-1751-146-00	Axle		2	80-1330-146-00
36	89-3410-080000	Steel Ball 8	12	12	S690800000
37	80-1310-150-00	Axle Pin	1		
	80-1751-150-00	Axle Pin		1	
38	89-3131-060074	Ball Bearing 6007NR	2		S706007NR0
	89-3111-060074	Ball Bearing 6007		2	S706007000
39	89-2512-000620	Snap Ring 62		2	S72R62000
40	80-1310-152-00	Rod Arm (Right)	1	1	
41	80-1310-112-00	Rod Arm (Left)	1	1	
42	80-1310-155-00	Rod Wire	2	2	80-1310-959-00
43	80-1310-114-00	Fork	2	2	
44	89-1711-060002	Washer 6	4	4	S50060000C
45	89-2120-200152	Split Pin 2*15	4	4	S60201500C
46	80-1310-115-00	Fork Pin	2	2	
47	80-1310-162-00	Return Spring	2	2	
48	80-1310-161-00	Pushing Plate	4	4	
49	89-1231-060202	Bolt, pw M6*20	8	8	S15060200C
50	89-5221-009000	Ring O Type P9	2	2	S730900000
51	89-2512-000720	Snap Ring 72	2	2	S72R72000
52	80-1310-153-00	Arm, Side Clutch	2	2	
53	89-1541-080002	Nut, sw M8	2	2	S36080000C
54	80-1210-167-00	Seal Collar	1	1	
55	89-5121-283808	Oil Seal 28.38.8	1	1	S802838080
56	89-5221-020000	Ring O Type P20	1	1	S73P200000
57	89-5121-203810	Oil Seal 20.38.10	1	1	S802038100
58	89-1711-100002	Washer 10	5	5	S50100000C
59	80-1310-197-00	Belt Cover Fitting Bolt	1	1	
60	89-1511-100042	Nut M10	3	3	S31100000C
61	83-1310-611-00	Water Seal 35.62.17	2	2	S803562170
62	59-5221-010000	Ring O Type P10	2	2	S739100000
63	80-1310-191-00	Wire Guide A	1	1	
64	89-2111-040022	Spring Roll Pin 4*22	2	2	S654022000
65	80-1310-193-00	Sub-Change Gear Lever	1	1	
66	83-1210-425-00	Gripe 10	1	1	S781000000
67	89-1113-060142	Bolt (8T) M6*14	22	22	S11060141C
68	83-1712-194-00	Locking Nut M6	22	22	S45060000C
69	83-1210-684-00	Oil Cap, KRM-A2	1	1	80-1210-166-00

70	89-5230-100000	Seal Washer 10	1	1	S741000000
71	89-1111-100122	Bolt M10*12	1	1	S11100120C



HR550B/660B(1)
 Fig.3 Belt Cover / Engine Base



Ref.	Parts No.	Parts Name	Qty.55	Qty.66	Remarks
1	80-1310-501-00	Belt Case (IN)	0	0	
2	80-1310-502-00	Belt Case (OUT)	1	1	
3	80-1310-521-00	Transmission Pulley	1		
	80-1330-	Transmission		1	

	521-00	Pulley			
4	80-1310-514-00	Engine Pulley	1		
	80-1330-514-00	Engine Pulley		1	
5	89-6122-003700	V Belt LA-37	2		S81LA37000
	89-6123-003700	V Belt LB-37		2	S81LB37000
6	80-1310-542-00	Tension Arm	1	1	
7	80-1310-551-00	Spring	1	1	80-1210-551-00
80-10	80-1210-559-00	Wire Setting Bolt ASSY	1	1	
8	83-1210-182-00	Wire Setting Bolt	1	1	80-1210-559-00
9	89-1750-080002	Spring Washer 8	1	1	S58080000C
10	89-1511-080042	Nut M8	1	1	S31080000C
11	80-1210-552-00	Return Spring	1	1	
12	89-2521-000150	Ring E Type 15	1	1	S75150000C
13	80-1310-561-00	Belt Supporter	2	2	80-1210-561-00
14	80-1310-515-00	Pulley Collar (IN)	1		
	80-1330-515-00	Pulley Collar (IN)		1	
15	80-1310-517-00	Pulley Collar (OUT)	1		
	80-1330-517-00	Pulley Collar (OUT)		1	
16	89-2151-050350	Key 5*35	2	2	S68050530A(550) S68070737A(660)
17	83-1020-312-00	Washer 8*30*3.2	1	1	80-1210-525-00
18	89-1750-080002	Spring Washer 8	1	1	S58100000C
19	89-1113-	Bolt (8T) M8*25	2	2	S11080251C

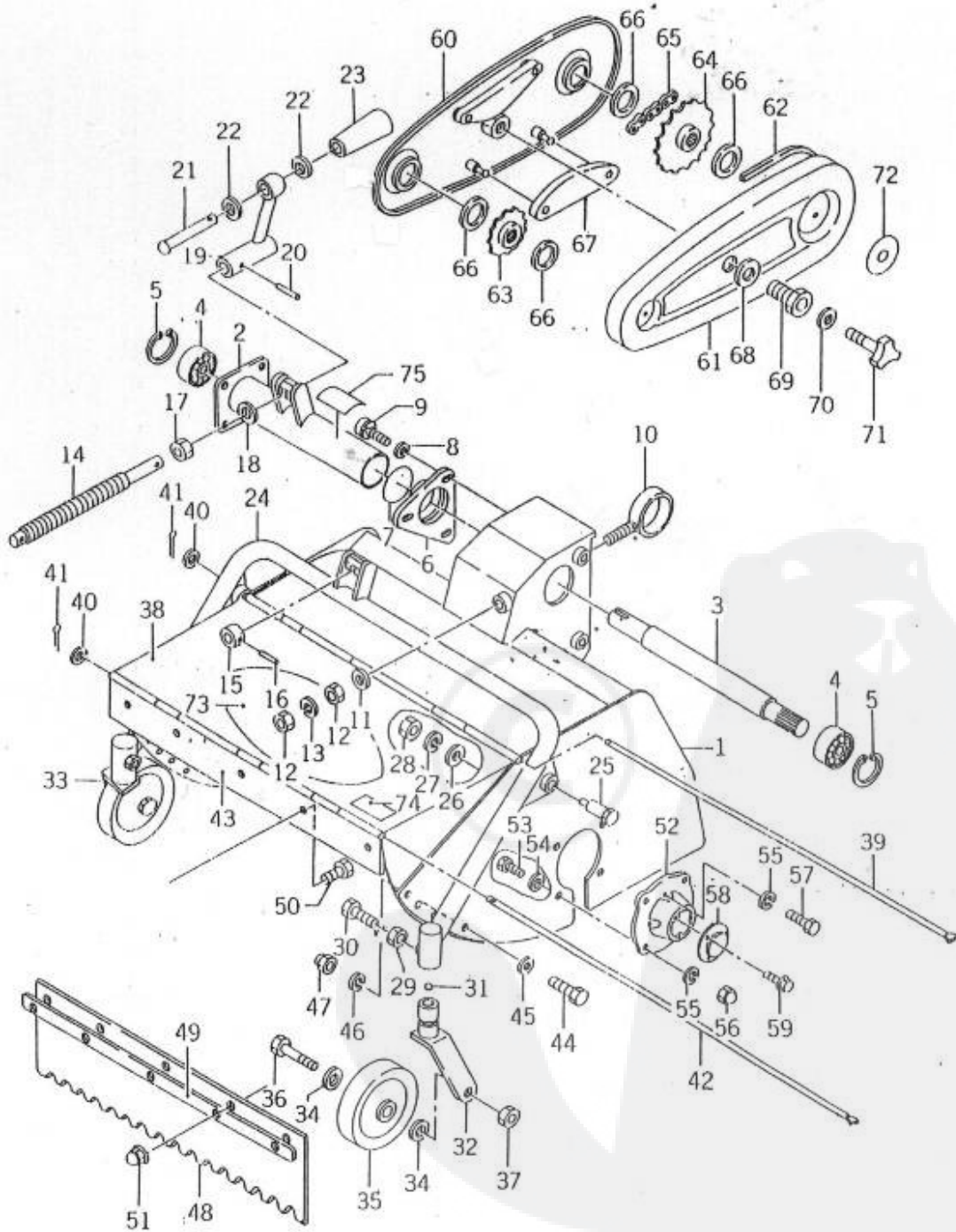
	080252				
20	83-1020-312-00	Washer 8*30*3.2	1	1	80-1210-525
21	89-1711-080002	Washer 8	2	2	S50080000C
22	89-1750-080002	Spring Washer 8	2	2	S58080000C
23	89-1111-080162	Bolt M8*16	1	1	S11080160C
24	89-1111-080202	Bolt M8*20	1	1	S11080200C
25	89-1711-100002	Washer 10	1	1	S50100000C
26	89-1750-100002	Spring Washer 10	1	1	S58100000C
27	89-1511-100042	Nut M10	1	1	S31100000C
28	89-1711-080002	Washer 8	1	1	S50080000C
29	89-1812-080002	Toothed Washer 8	1	1	S56080000C
30	83-1310-102-00	Knob Bolt N8*20	1	1	80-1310-565-00
31	80-1310-301-00	Engine Base	1	1	
32	89-1113-100752	Bolt (8T) M10*75	2	2	S11100750C
33	89-1750-100002	Spring Washer 10	2	2	S58100000C
34	89-1511-100042	Nut M10	2	2	S31100000C
35	80-1310-311-00	Engine Fitting Plate	2	2	80-1210-311-00
36	83-1310-387-00	Whirl-Stop Plate A8	4		80-1210-318-00
	83-1210-389-00	Whirl-Stop Plate A10	4	4	80-1210-319-00
37	89-1111-080452	Bolt M8*45	4		S11080450C
	89-1111-100452	Bolt M10*45	4	4	S11100450C
38	89-1750-	Spring Washer 8	4		S58080000C

	080002				
	89-1750-100002	Spring Washer 10	4	4	S58100000C
39	89-1511-080042	Nut M8	4		S31080000C
	89-1511-100042	Nut M10	4	4	S31100000C
40					
41	89-1711-100002	Washer 10	4	4	S50100000C
42	89-1750-100002	Spring Washer	4	4	S58100000C
43	89-1511-100042	Nut M10	4	4	S31100000C
44	80-1603-905-00	Label	1		80-1310-905-00
	80-1612-905-00	Label		1	80-1330-905-00
45	80-1630-912-00	Label	1	1	
46	83-1210-909-00	Label	1	1	80-1210-927-00



Fig. 4

HR550B/660B(!)
Fug,4 Rotary Cover / Counter Case



Ref.	Parts No.	Parts Name	Qty.550	Qty.660	Remarks
------	-----------	------------	---------	---------	---------

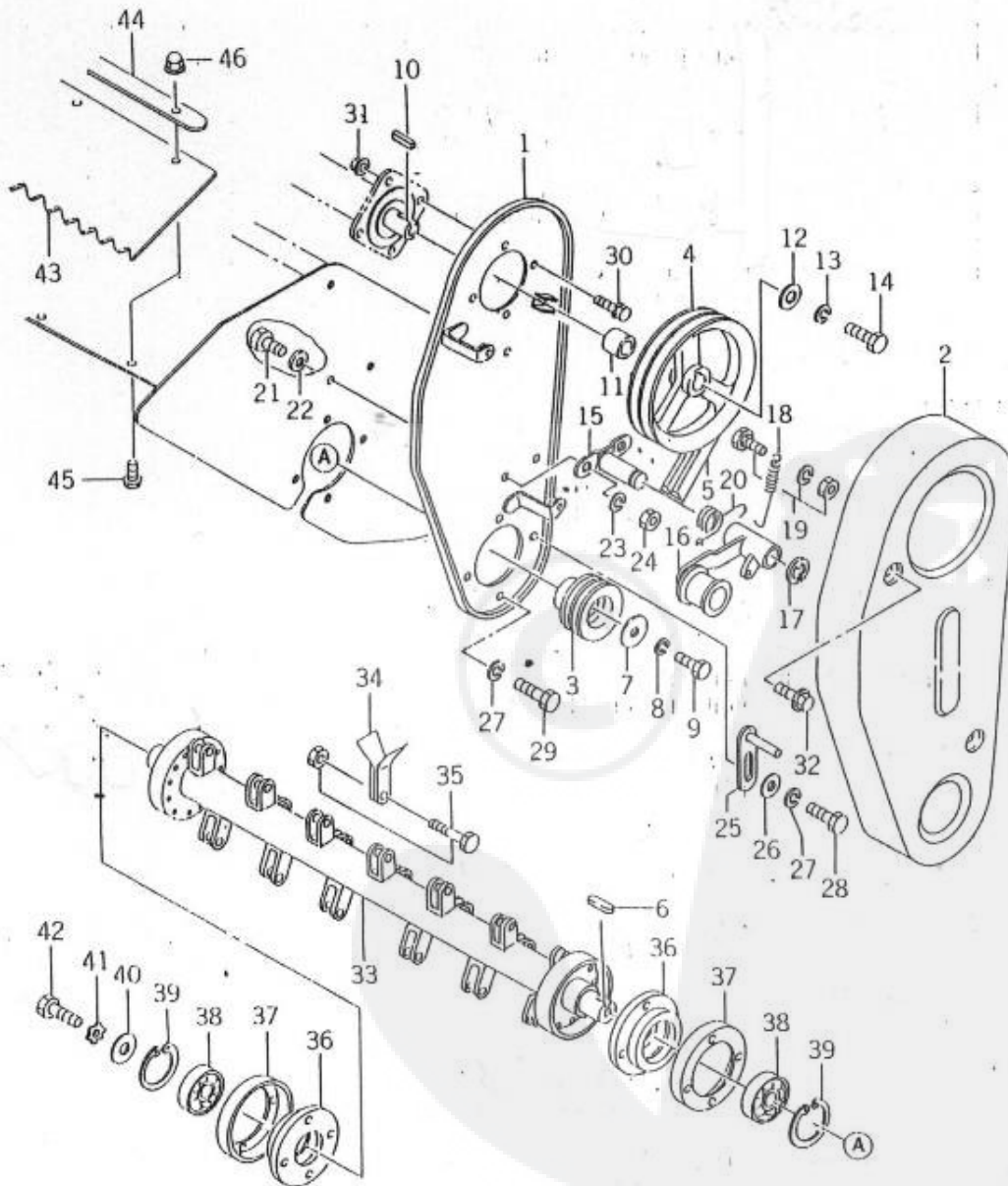
1	80-1612-703-00	Rotary Cover		1	80-1613-702-00
	80-1602-703-00	Rotary Cover		1	80-1603-702-00
2	80-1612-691-00	Supporter Pipe		1	80-1613-691-00
	80-1602-691-00	Supporter Pipe		1	80-1603-691-00
3	80-1612-621-00	The 1st Shaft for Knife		1	80-1613-621-00
	80-1602-621-00	The 1st Shaft for Knife		1	80-1603-621-00
4	89-3115-060044	Ball Bearing 6004 2RS		2	2 S7060042RS
5	89-2512-000420	Snap Ring 42		2	2 S72R420000
6	80-1610-692-00	Pipe Fitting Plate		1	1 80-1613-692-00
7	89-5221-048000	Ring O Type P48		1	1 S73P480000
8	89-1711-080002	Washer 8		3	3 S50080000C
9	89-1132-080162	Bolt, sw M8*16		3	3 S16080160C
10	80-1612-594-00	Chain Puller		1	1 80-1613-594-00
11	89-1711-100002	Washer 10		1	1 S50100000C
12	89-1511-100042	Nut M10		2	2 S31100000C
13	89-1750-100002	Spring Washer 10		1	1 S58100000C
14	84-1723-724-00	Adjusting Screw		1	1
15	84-1723-744-00	Adjusting Stopper Boss		1	1
16	89-2111-050022	Spring Roll Pin 5*22		1	1 S655022000
17	89-1511-160042	Nut M16		1	1 S31160000C
18	89-1711-120002	Washer 12		1	1 S50120000C
19	84-1723-739-00	Adjusting Handle		1	1
20	89-2111-050022	Spring Roll Pin 5*22		1	1 S655022000
21	83-1713-166-00	Pin, Round-head 10*80		1	1 S62100800C
22	89-1711-100002	Washer 10		2	2 S50100000C
23	83-1210-425-00	Gripe 10		1	1 S781000000
24	80-1612-723-00	Front Arm		1	1 80-1613-723-00

	80-1602-723-00	Front Arm	1		80-1603-723-00
25	80-1610-714-00	Fitting Bolt	2	2	
26	89-1711-120002	Washer 12	2	2	S50120000C
27	89-1750-120002	Spring Washer 12	2	2	S58120000C
28	83-1610-192-00	Nut M12 P=1.25	2	2	80-1610-715-00
29	89-1511-100042	Nut M10	2	2	S31100000C
30	89-1111-100352	Bolt M10*35	2	2	S11100350C
31	89-3410-110000	Steel Ball 11	2	2	S691100000
32	80-1612-725-10	Front Wheel Fork (left)	1	1	80-1613-725-00
33	80-1612-726-10	Front Wheel Fork (right)	1	1	80-1613-726-00
34	89-1711-120002	Washer 12	4	4	S80120000C
35	80-1610-727-11	Front Wheel	2	2	
36	89-1115-120751	Bolt (11T) M12*75	2	2	S11120750C
37	89-1511-120042	Nut M12	2	2	S31120000C
38	80-1610-764-00	Front Cover		1	80-1613-764-00
	80-1602-764-00	Front Cover	1		80-1603-764-00
39	80-1610-748-00	Shaft for Hinge (A)		1	80-1613-748-00
	80-1602-748-00	Shaft for Hinge (A)	1		80-1603-748-00
40	89-1711-050002	Washer 5	4	4	S50050000C
41	89-2120-200152	Split Pin 2*15	2	2	S60201500C
42	80-1610-749-00	Shaft for Hinge (B)		1	80-1613-749-00
	80-1602-749-00	Shaft for Hinge (B)	1		80-1603-749-00
43	80-1610-771-00	Flapper Fitting Plate		1	80-1613-771-00
	80-1602-771-00	Flapper Fitting Plate	1		80-1603-771-00
44	89-1111-080162	Bolt M8*16	4	4	S11080160C
45	89-1711-080002	Washer 8	4	4	S50080000C
46	89-1750-080002	Spring Washer 8	4	4	S58080000C

47	89-1571-080042	Cap Nut M8	4	4	S41080000C
48	80-1612-781-00	Flapper (front)		1	80-1613-791-00
	80-1602-781-00	Flapper (front)	1		80-1603-791-00
49	80-1610-787-00	Flapper Pad		1	80-1613-798-00
	80-1602-787-00	Flapper Pad	1		80-1603-798-00
50	89-1131-060162	Bolt, pw M6*16	4	5	S15060160C
51	83-1575-189-00	Cap Nut, Flange M6	4	5	S47060000C
52	80-1610-811-00	B.B.Case Receiver	1	1	
53	89-1111-080252	Bolt M8*25	4	4	S11080250C
54	89-1711-080002	Washer 8	4	4	S50080000C
55	89-1750-080002	Spring Washer 8	8	8	S58080000C
56	89-1571-080042	Cap Nut M8	4	4	S41080000C
57	89-1111-080252	Bolt M8*25	4	4	S11080250C
58	80-1610-812-00	B.B.Case Receiver Cover	1	1	
59	89-1131-060122	Bolt, pw M6*12	3	3	S15060120C
60-72	80-1612-580-00	Transmission Case ASSY	1	1	80-1613-580-00
60	80-1310-581-00	Transmission Case (in)	1	1	
61	80-1310-582-00	Transmission Case (out)	1	1	
62	80-1310-583-00	Packing	1	1	
63	80-1310-591-00	Sprocket, 13T	1	1	
64	80-1612-592-00	Sprocket, 22T	1	1	80-1613-592-00
65	89-6512-040056	Chain #40-56	1	1	S834000560
66	80-1210-588-00	Friction Stopper	4	4	
67	80-1210-585-00	Chain Sag Stopper	2	2	
68	89-1812-160002	Toothed Washer 16	1	1	S56160000C
69	80-1310-584-00	Fitting Bolt	1	1	
70	89-1812-100002	Toothed Washer 10	1	1	S56100000C
71	83-1310-106-00	Knob Bolt M10*50	1	1	80-1310-598-00
72	80-1612-907-00	Label		1	80-1613-936-00

	80-1603-907-00	Label		1		80-1603-936-00
73	83-1050-901-00	Label		1	1	80-1613-903-00
74	83-1415-908-00	Label		1	1	80-1210-928-00
75	80-1610-927-00	Label		1	1	

HR550B/660B(1)
Fig.5 Rotary / Knife Drum



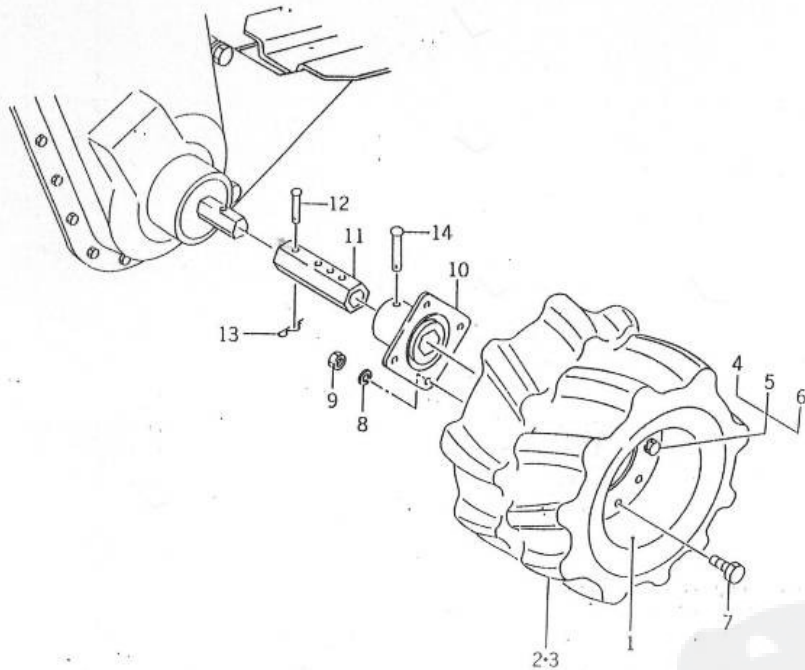
Ref.	Parts No.	Parts Name	Qty.55 0	Qty.66 0	Remarks
1	80-1610-693-00	Belt Case (in)	1	1	1
2	80-1610-694-00	Belt Case (out)	1	1	1
3	80-1610-634-00	Knife Pulley	1	1	1
4	80-1610-636-00	Drive Pulley	1	1	1
5	89-6112-003900	V Belt (LA-39)	2	2	2
6	89-2150-070370	Key 7*37	1	1	1
7	83-1610-322-00	Pulley Pushing Washer 10*36*6	1	1	1
8	89-1750-100002	Spring Washer 10	1	1	1
9	89-1113-100352	Bolt (8T) M10*35	1	1	1
10	89-2150-050300	Key 5*30	1	1	1
11	80-1610-637-00	Pulley Collar	1	1	1
12	83-1210-313-00	Washer 8*32*3.2	1	1	1
13	89-1750-080002	Spring Washer 8	1	1	
14	89-1111-080252	Bolt M8*25	1	1	1
15	84-1713-633-00	Tension Arm Shaft	1	1	1
16	80-1610-632-00	Tension Arm	1	1	1
17	89-2521-000150	Ring E Type 15	1	1	S75150000C
18	80-1610-655-00	Tension Pulling Spring	1	1	80-1613-558-00
19	80-1210-559-00	Wire Fitting Bolt ASSY	1	1	
20	80-1210-552-00	Return Spring	1	1	

21	89-1111-100252	Bolt M10*25	2	2	S11100250C
22	89-1711-100002	Washer 10	2	2	S50100000C
23	89-1750-100002	Spring Washer 10	2	2	S58100000C
24	89-1511-100042	Nut M10	2	2	S31100000C
25	80-1210-561-00	Belt Support	2	2	80-1613-575-200
26	89-1711-080002	Washer 8*32*3.2	2	2	S50080000C
27	89-1750-080002	Spring Washer 8	4	4	S58080000C
28	89-1111-080202	Bolt M8*20	2	2	S11080200C
29	89-1111-080162	Bolt M8*16	2	2	S11080160C
30	89-1132-080162	Bolt, sw M8*16	4	4	S16080160C
31	89-1631-080042	Nut, flange M8	4	4	S37080000C
32	89-1133-080162	Bolt, pw & sw M8*16	2	2	S17080160C
33-35	80-1610-800-00	Knife Drum ASSY		1	
	80-1602-800-00	Knife Drum ASSY	1		1
33	80-1610-803-00	Knife Drum		1	
	80-1602-803-00	Knife Drum	1		1
34	80-1610-821-00	Hammer Knife Blade	32	38	32
35	80-1610-835-00	Fitting Bolt ASSY	16	19	16
36	80-1610-804-00	B.B Case	2	2	2
37	80-1612-813-00	Dust Cover	2	2	2
38	89-3115-062064	Ball Bearing 6206 2RS	2	2	2

39	89-2512-000620	Snap Ring 62	2	2	2
40	83-1610-321-00	Washer 10*36*4.5	1	1	1
41	89-1812-100002	Spring Washer 10	1	1	1
42	83-1610-126-00	Bolt (8T) M10*25	1	1	1
43	80-1612-782-00	Flapper (rear)		1	
	80-1602-782-00	Flapper (rear)	1		
44	80-1610-787-00	Flapper Pad		1	80-1613-798-00
	80-1602-787-00	Flapper Pad	1		80-1603-798-00
45	89-1131-060162	Bolt, pw M6*16	4	5	S15060160C
46	83-1575-189-00	Cap Nut, flange M6	4	5	S47060000C



HR550B/660B(1)
Fig.6 Wheel



Ref.	Parts No.	Parts Name	Qty.550	Qty.660	Remarks
1-6	80-1560-411-00	Tire (16*700-8) ASSY Left		1	
	80-1230-411-00	Tire (350-7) ASSY Left	1		
	80-1560-412-00	Tire (16*700-8) ASSY Right		1	
	80-1230-412-00	Tire (350-7) ASSY Right	1		
1	80-1560-407-00	Wheel ASSY		2	
	80-1230-407-00	Wheel ASSY	2		
2	80-1560-401-00	Tire (16*700-8)		2	
	80-1230-401-00	Tire (350-7)	2		
3	80-1560-404-00	Tube		2	
	80-1230-404-00	Tube	2		
4	89-1111-080142	Bolt M8*14		12	S11080140C
	89-1111-080202	Bolt M8*20	8		S11080200C
5	89-1750-080002	Spring Washer 8	8		S58080000C
6	89-1631-080042	Nut, flange M8		12	S37080000C
	89-1511-080042	Nut M8	8		S31080000C

7	89-1111-100202	Bolt M10*20	8		S11100200C
	89-1111-100162	Bolt	8		S11100160C
8	89-1750-100002	Spring Washer	8	8	S58100000C
9	89-1511-100042	Nut	8	8	S31100000C
10	80-1751-413-00	Wheel Boss		2	
	80-1330-413-00	Wheel Boss	2		
11	80-1310-416-00	Wheel Tube	2	2	
12	83-1711-151-00	Pin, Cylinder Head 8*42	2	2	S63080420C
13	89-2131-080002	Snap Pin 8	4	4	S61080000C
14	89-2181-080602	Pin, Cylinder Head 8*60	2	2	S63080600C

