

Parts catalogue

FLAIL MOWER

(EXPORT MODEL)

HR661

HR661A

HR801A

MODEL	CODE
HR661	80-1614-ΔΔΔ-00
HR661A	0211-ΔΔΔΔΔ
HR801A	0204-ΔΔΔΔΔ

CONTENTS

Fig.1	HANDLE(OLD TYPE)-----	1
Fig.1	HANDLE(NEW TYPE)-----	5
Fig.2	TRANSMISSION-----	9
Fig.3	FRAME-----	13
Fig.4	ROTARY COVER-----	17

OREC CO.,LTD.

Update : December 2005

Fig. 1 HANDLE (OLD TYPE)

HR661A Serial No. ~YD01D00075

HR801A Serial No. ~YG01E00032

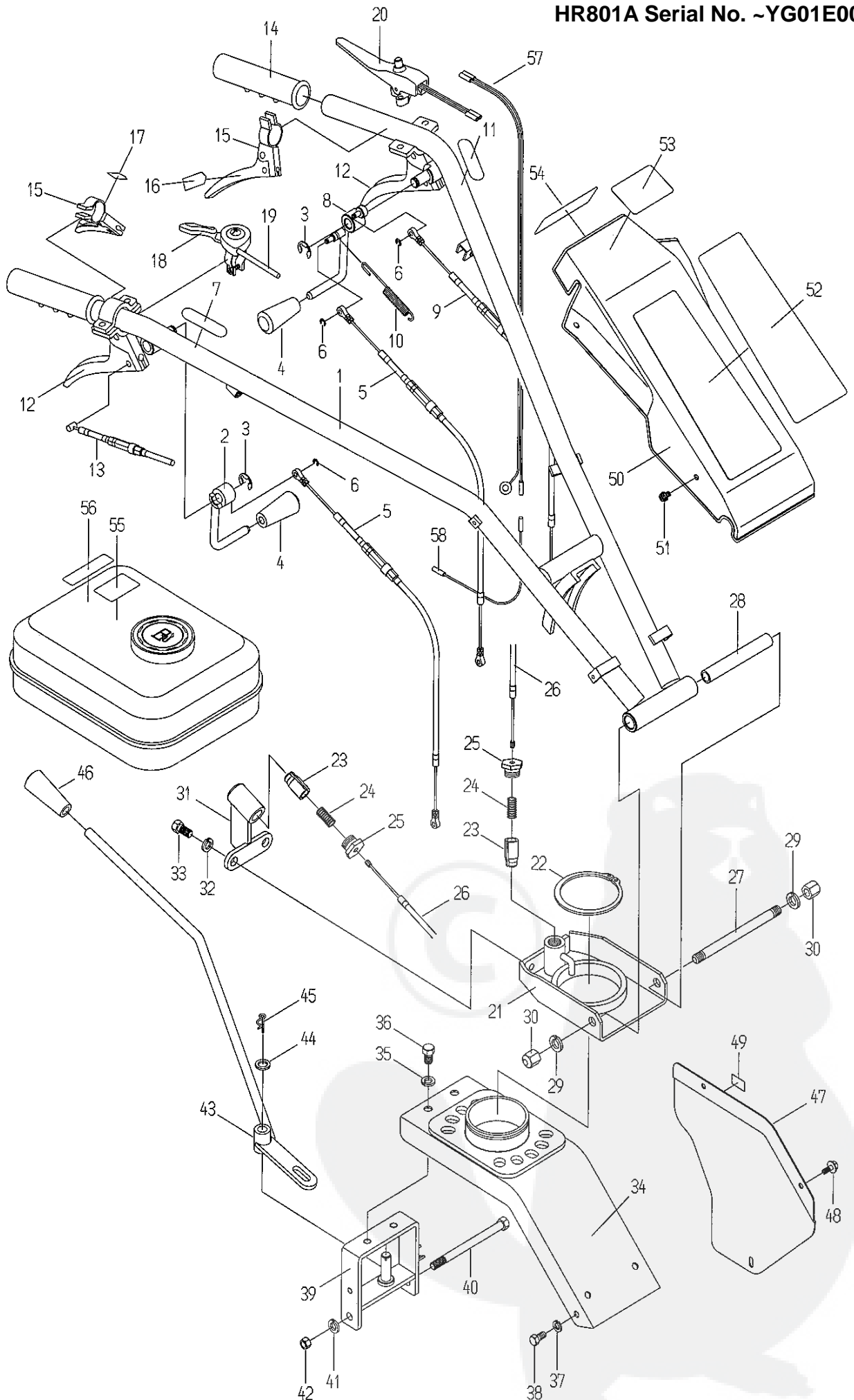


FIG. 1 HANDLE (OLD TYPE)

Ref.	Parts No.	Parts Name	Quantity								Remarks										
			OLD	OLD	OLD	OLD	NEW	NEW	NEW	NEW											
			HR	HR	HR	HR	HR	HR	HR	HR											
			661A	661A	801A	801A	661A	661A	801A	801A											
				EY28	FE250	GM301	FE290														
1	80-1614-221-00	Handle CMP	1	1	1	1														*4)	
2	80-1614-251-00	Knife Tension Lever	1	1	1	1															*4)
3	89-2521-000100	E-type Ring 10	2	2	2	2	1	1	1	1											
4	83-1210-425-00	Lever Grip 10	2	2	2	2															*4)
5	83-1614-932-00	Tension Wire	2	2	2	2	2	2	2	2	2	2	2	2	2	2	2	2	2	2	
6	89-2521-000050	E-type Ring 5	3	3	3	3	3	3	3	3	3	3	3	3	3	3	3	3	3	3	
7	80-1614-915-00	Label, Blade	1	1	1	1															*4)
8	80-1614-241-00	Driving Tension Lever	1	1	1	1															*4)
9	83-1614-938-00	Brake Wire	1	1	1	1															*4)
10	80-1614-248-00	Brake Spring	1	1	1	1															*4)
11	80-1614-914-00	Label, Driving	1	1	1	1															*4)
12	83-1210-457-00	Lever 3101	2	2	2	2															*4)
	83-1210-457-10	Lever 27-05-0822M	2	2	2	2															*1)
13	83-1614-962-00	Side Clutch Wire	2	2	2	2	2	2	2	2	2	2	2	2	2	2	2	2	2	2	
14	83-1560-414-00	Handle Grip 27	2	2	2	2	2	2	2	2	2	2	2	2	2	2	2	2	2	2	
15	83-1415-453-00	Lever SC1215	2	2	2	2	2	2	2	2	2	2	2	2	2	2	2	2	2	2	Remark 1
	83-1415-453-10	Lever 27-05-0822S	2	2	2	2	2	2	2	2	2	2	2	2	2	2	2	2	2	2	
16	80-1614-917-00	Label, Handle Up/Down	1	1	1	1	1	1	1	1	1	1	1	1	1	1	1	1	1	1	
17	80-1614-918-00	Label, Handle Right/Left	1	1	1	1	1	1	1	1	1	1	1	1	1	1	1	1	1	1	
18	83-1530-463-00	Throttle Lever	1	1	1	1	1	1	1	1	1	1	1	1	1	1	1	1	1	1	
19	83-1415-951-00	Throttle Wire	1	1	1	1	1	1	1	1	1	1	1	1	1	1	1	1	1	1	
20	80-1613-950-00	Engine stop lever assy.	1	1	1	1															*4)
21	80-1310-203-00	Turntable for Handle	1	1	1	1	1	1	1	1	1	1	1	1	1	1	1	1	1	1	
22	89-2511-000850	Snap Ring 85	1	1	1	1	1	1	1	1	1	1	1	1	1	1	1	1	1	1	
23	80-1210-216-00	Stopper Pin	2	2	2	2	2	2	2	2	2	2	2	2	2	2	2	2	2	2	
24	80-1210-217-00	Stopper Spring	2	2	2	2	2	2	2	2	2	2	2	2	2	2	2	2	2	2	
25	80-1310-215-00	Stopper Cap	2	2	2	2	2	2	2	2	2	2	2	2	2	2	2	2	2	2	
26	83-1445-965-00	Handle Up/Down/Right/Left Wire	2	2	2	2															*4)
	83-1445-965-10	Handle Up/Down/Right/Left Wire	2	2	2	2															
27	83-1210-133-00	Setting Bolt M12X160	1	1	1	1	1	1	1	1	1	1	1	1	1	1	1	1	1	1	
28	80-1210-222-00	Handle Setting Collar	1	1	1	1	1	1	1	1	1	1	1	1	1	1	1	1	1	1	
29	89-1750-120002	Spring Washer 12	2	2	2	2	2	2	2	2	2	2	2	2	2	2	2	2	2	2	
30	80-1310-228-00	Handle Fix Nut	2	2	2	2	2	2	2	2	2	2	2	2	2	2	2	2	2	2	
31	80-1330-214-10	Stopper for Handle Up/Down	1	1	1	1	1	1	1	1	1	1	1	1	1	1	1	1	1	1	
32	89-1750-100002	Spring Washer 10	2	2	2	2	2	2	2	2	2	2	2	2	2	2	2	2	2	2	
33	89-1211-100202	Mini Hexagonal Bolt M10*20	2	2	2	2	2	2	2	2	2	2	2	2	2	2	2	2	2	2	
34	80-1614-732-20	Under Bonnet CMP	1	1	1	1	1	1	1	1	1	1	1	1	1	1	1	1	1	1	
35	89-1750-100002	Spring Washer 10	2	2	2	2	2	2	2	2	2	2	2	2	2	2	2	2	2	2	
36	89-1211-100162	Mini Hexagonal Bolt M10*16	2	2	2	2	2	2	2	2	2	2	2	2	2	2	2	2	2	2	
37	89-1750-080002	Spring Washer 8	2	2	2	2	2	2	2	2	2	2	2	2	2	2	2	2	2	2	
38	89-1213-080162	Mini Hexagonal Bolt (8T) M8*16	2	2	2	2	2	2	2	2	2	2	2	2	2	2	2	2	2	2	
39	80-1614-262-00	Change Plate	1	1	1	1	1	1	1	1	1	1	1	1	1	1	1	1	1	1	
40	89-1213-101302	Mini Hexagonal Bolt (8T) M10*130	1	1	1	1	1	1	1	1	1	1	1	1	1	1	1	1	1	1	
41	89-1750-100002	Spring Washer 10	1	1	1	1	1	1	1	1	1	1	1	1	1	1	1	1	1	1	
42	89-1611-100042	Mini Hexagonal Nut M8	1	1	1	1	1	1	1	1	1	1	1	1	1	1	1	1	1	1	
43	80-1614-265-00	Change Lever (FE250.290.EY28)	1	1			1	1	1												
	80-1614-266-00	Change Lever (GM301)				1											1				
44	83-1565-329-00	Washer 13x22x2.3	1	1	1	1	1	1	1	1	1	1	1	1	1	1	1	1	1	1	
45	89-2131-120002	R Pin 12	1	1	1	1	1	1	1	1	1	1	1	1	1	1	1	1	1	1	
46	83-1711-426-00	Lever Griot 12	1	1	1	1	1	1	1	1	1	1	1	1	1	1	1	1	1	1	
47	80-1614-746-10	Side Cover	1	1	1	1	1	1	1	1	1	1	1	1	1	1	1	1	1	1	

Fig. 1 HANDLE (OLD TYPE)

HR661A Serial No. ~YD01D00075

HR801A Serial No. ~YG01E00032

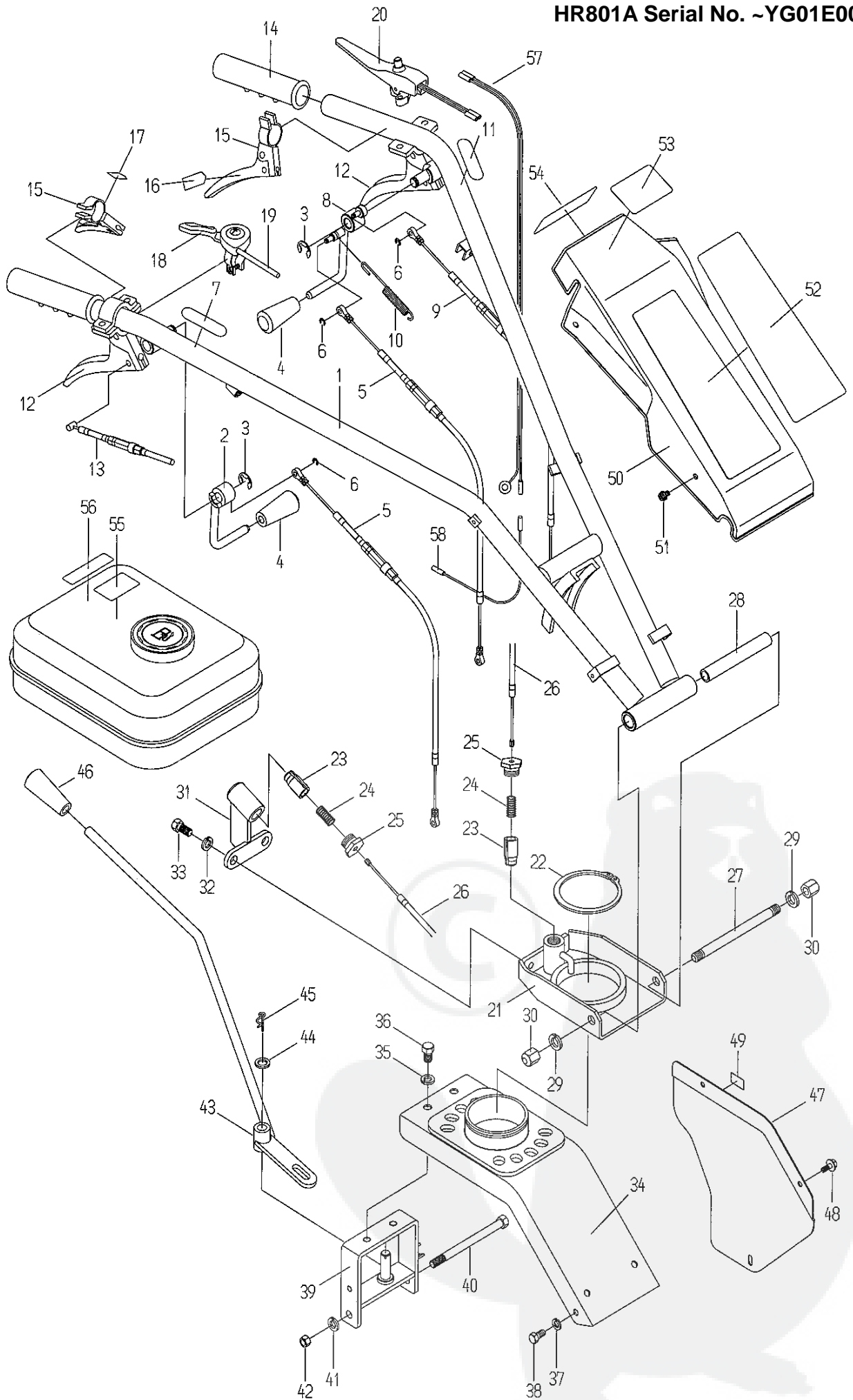


FIG. 1 HANDLE (OLD TYPE)

Ref.	Parts No.	Parts Name	Quantity								Remarks
			OLD	OLD	OLD	OLD	NEW	NEW	NEW	NEW	
			HR	HR	HR	HR	HR	HR	HR	HR	
			661A	661A	801A	801A	661A	661A	801A	801A	
48	89-1131-060152	Hexagonal Bolt(PW) 6*15	3	3	3	3	3	3	3	3	
49	83-1712-923-00	Label, Oil Quantity 1.6 L	1	1	1	1	1	1	1	1	
50	80-1415-223-00	Handle Bonnet	1	1	1	1	1	1	1	1	
51	89-1158-060102	Mini Screw(PWSW) M6*10	4	4	4	4	4	4	4	4	
52	80-1614-904-00	Label, Bonnet	1	1	1	1	1	1	1	1	
53	80-1614-907-00	Label, Model									
	0211-70100	Label, Model	1	1			1	1			
	0204-70100	Label, Model			1	1			1	1	
54	80-1565-911-10	Label, Change	1	1	1	1	1	1	1	1	
55	83-1415-909-00	Label, Caution for Engine etc	1	1	1	1	1	1	1	1	
56	80-1415-911-10	Label, Change	1	1	1	1	1	1	1	1	
57	80-1613-953-00	Harness ASSY	1	1	1	1					*4)
58	80-1614-285-00	Lead Wire (EY28)	1								

M E M O

Remark 1 : Supplied Parts 83-1415-453-10 . 83-1445-965-10 (1 set)

Remark 2 : Supplied Parts 83-1415-453-10 . 83-1110-965-10 (1 set)

*1) : Interchangeable

*2) : Serial Number HR661A : ~YD00M00502 HR801A : ~YG00M00030

*3) : Serial Number HR661A : YD01A00503~ HR801A : YG01A00031~

*4) : Serial Number HR661A : ~YD01D00075 HR801A : ~YG01E00032

*5) : Serial Number HR661A : YD01K00076~ HR801A : YG01M00034~

*6) : Serial Number HR661A : ~YD03G00104 HR801A : ~YG03G00024

*7) : Serial Number HR661A : YD03K00105~ HR801A : YG03J00025~

*8) : Serial Number HR661A : YD004M00409~ HR801A : YG05C00001~

*9) : Serial Number HR661A : ~YD05A00482 HR801A : ~YG04L00034

*10) : Serial Number HR661A : YD05B00001~ HR801A : YG05C00001~

Fig. 1 HANDLE (NEW TYPE)

HR661A Serial No. YD01K00076~

HR801A Serial No. YG01M00034~

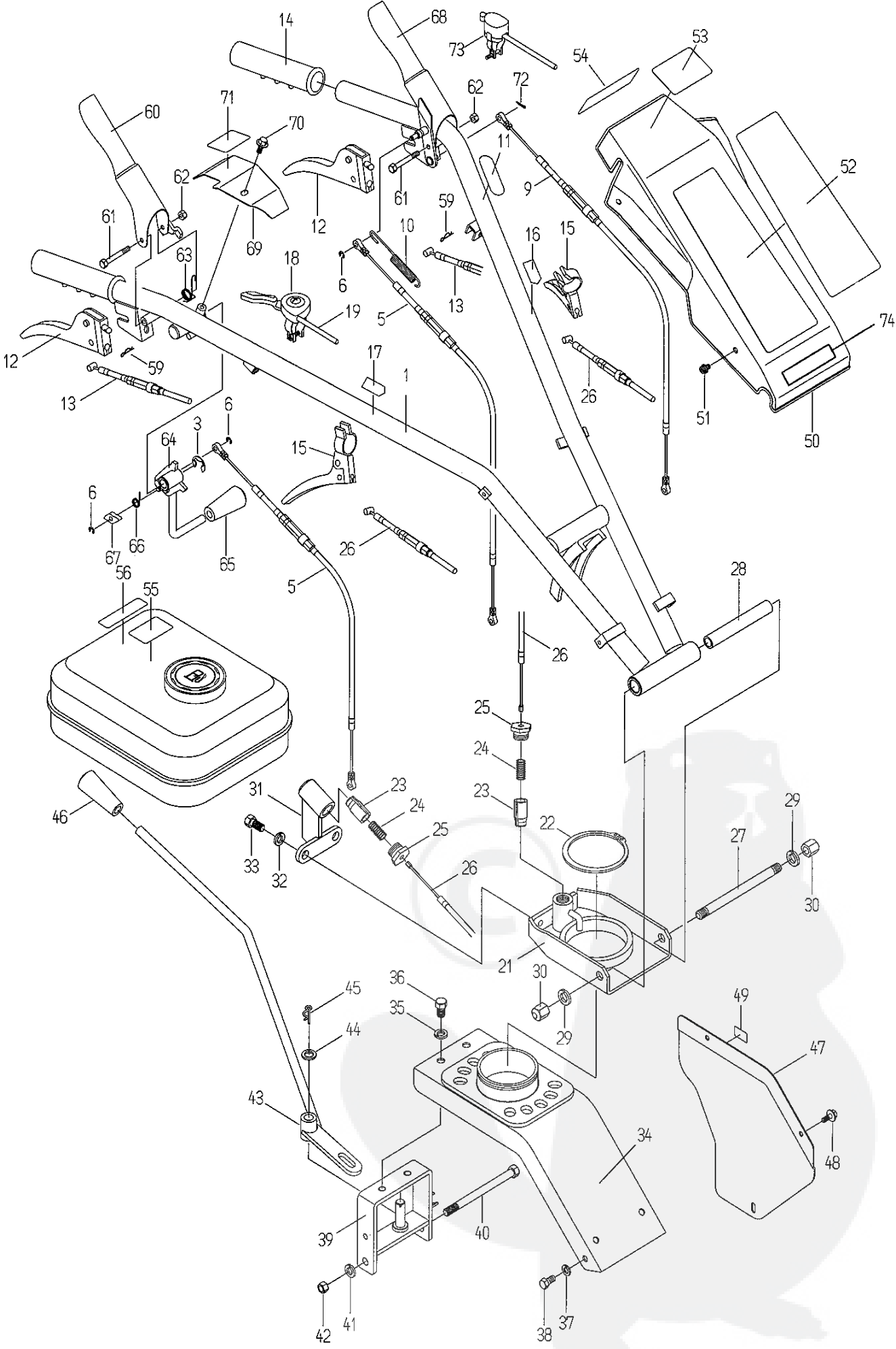


FIG. 1 HANDLE (NEW TYPE)

Ref.	Parts No.	Parts Name	Quantity								Remarks
			OLD	OLD	OLD	OLD	NEW	NEW	NEW	NEW	
			HR	HR	HR	HR	HR	HR	HR	HR	
			661A	661A	801A	801A	661A	661A	801A	801A	
1	0211-20100	Handle CMP					1	1	1	1	*5)
3	89-2521-000100	E-type Ring 10	2	2	2	2	1	1	1	1	
5	83-1614-932-00	Tension Wire	2	2	2	2	2	2	2	2	
6	89-2521-000050	E-type Ring 5	3	3	3	3	3	3	3	3	
9	0211-70500	Brake Wire					1	1	1	1	*5)
10	0211-20600	Brake Spring					1	1	1	1	*5)
11	0211-70600	Label, Driving					1	1	1	1	*5)
12	83-1761-457-00	Side Clutch Lever					2	2	2	2	*5)
13	83-1614-962-00	Side Clutch Wire	2	2	2	2	2	2	2	2	
14	83-1560-414-00	Handle Grip 27	2	2	2	2	2	2	2	2	
15	83-1415-453-00	Lever SC1215	2	2	2	2	2	2	2	2	*9) Remark 2
	83-1415-453-10	Lever 27-05-0822S	2	2	2	2	2	2	2	2	*10)
16	80-1614-917-00	Label, Handle Up/Down	1	1	1	1	1	1	1	1	
17	80-1614-918-00	Label, Handle Right/Left	1	1	1	1	1	1	1	1	
18	83-1530-463-00	Throttle Lever	1	1	1	1	1	1	1	1	
19	83-1415-951-00	Throttle Wire	1	1	1	1	1	1	1	1	
21	80-1310-203-00	Turntable for Handle	1	1	1	1	1	1	1	1	
22	89-2511-000850	Snap Ring 85	1	1	1	1	1	1	1	1	
23	80-1210-216-00	Stopper Pin	2	2	2	2	2	2	2	2	
24	80-1210-217-00	Stopper Spring	2	2	2	2	2	2	2	2	
25	80-1310-215-00	Stopper Cap	2	2	2	2	2	2	2	2	
26	83-1110-965-00	Handle Up/Down/Right/Left Wire					2	2	2	2	*5) *9)
	83-1110-965-10	Handle Up/Down/Right/Left Wire					2	2	2	2	*10)
27	83-1210-133-00	Setting Bolt M12X160	1	1	1	1	1	1	1	1	
28	80-1210-222-00	Handle Setting Collar	1	1	1	1	1	1	1	1	
29	89-1750-120002	Spring Washer 12	2	2	2	2	2	2	2	2	
30	80-1310-228-00	Handle Fix Nut	2	2	2	2	2	2	2	2	
31	80-1330-214-10	Stopper for Handle Up/Down	1	1	1	1	1	1	1	1	
32	89-1750-100002	Spring Washer 10	2	2	2	2	2	2	2	2	
33	89-1211-100202	Mini Hexagonal Bolt M10*20	2	2	2	2	2	2	2	2	
34	80-1614-732-20	Under Bonnet CMP	1	1	1	1	1	1	1	1	
35	89-1750-100002	Spring Washer 10	2	2	2	2	2	2	2	2	
36	89-1211-100162	Mini Hexagonal Bolt M10*16	2	2	2	2	2	2	2	2	
37	89-1750-080002	Spring Washer 8	2	2	2	2	2	2	2	2	
38	89-1213-080162	Mini Hexagonal Bolt (8T) M8*16	2	2	2	2	2	2	2	2	
39	80-1614-262-00	Change Plate	1	1	1	1	1	1	1	1	
40	89-1213-101302	Mini Hexagonal Bolt (8T) M10*130	1	1	1	1	1	1	1	1	
41	89-1750-100002	Spring Washer 10	1	1	1	1	1	1	1	1	
42	89-1611-100042	Mini Hexagonal Nut M8	1	1	1	1	1	1	1	1	
43	80-1614-265-00	Change Lever (FE250.290.EY28)	1	1		1	1	1		1	
	80-1614-266-00	Change Lever (GM301)			1				1		
44	83-1565-329-00	Washer 13x22x2.3	1	1	1	1	1	1	1	1	
45	89-2131-120002	R Pin 12	1	1	1	1	1	1	1	1	
46	83-1711-426-00	Lever Griot 12	1	1	1	1	1	1	1	1	
47	80-1614-746-10	Side Cover	1	1	1	1	1	1	1	1	
48	89-1131-060152	Hexagonal Bolt(PW) 6*15	3	3	3	3	3	3	3	3	
49	83-1712-923-00	Label, Oil Quantity 1.6 L	1	1	1	1	1	1	1	1	
50	80-1415-223-00	Handle Bonnet	1	1	1	1	1	1	1	1	
51	89-1158-060102	Mini Screw(PWSW) M6*10	4	4	4	4	4	4	4	4	
52	80-1614-904-00	Label, Bonnet	1	1	1	1	1	1	1	1	

Fig. 1 HANDLE (NEW TYPE)

HR661A Serial No. YD01K00076~

HR801A Serial No. YG01M00034~

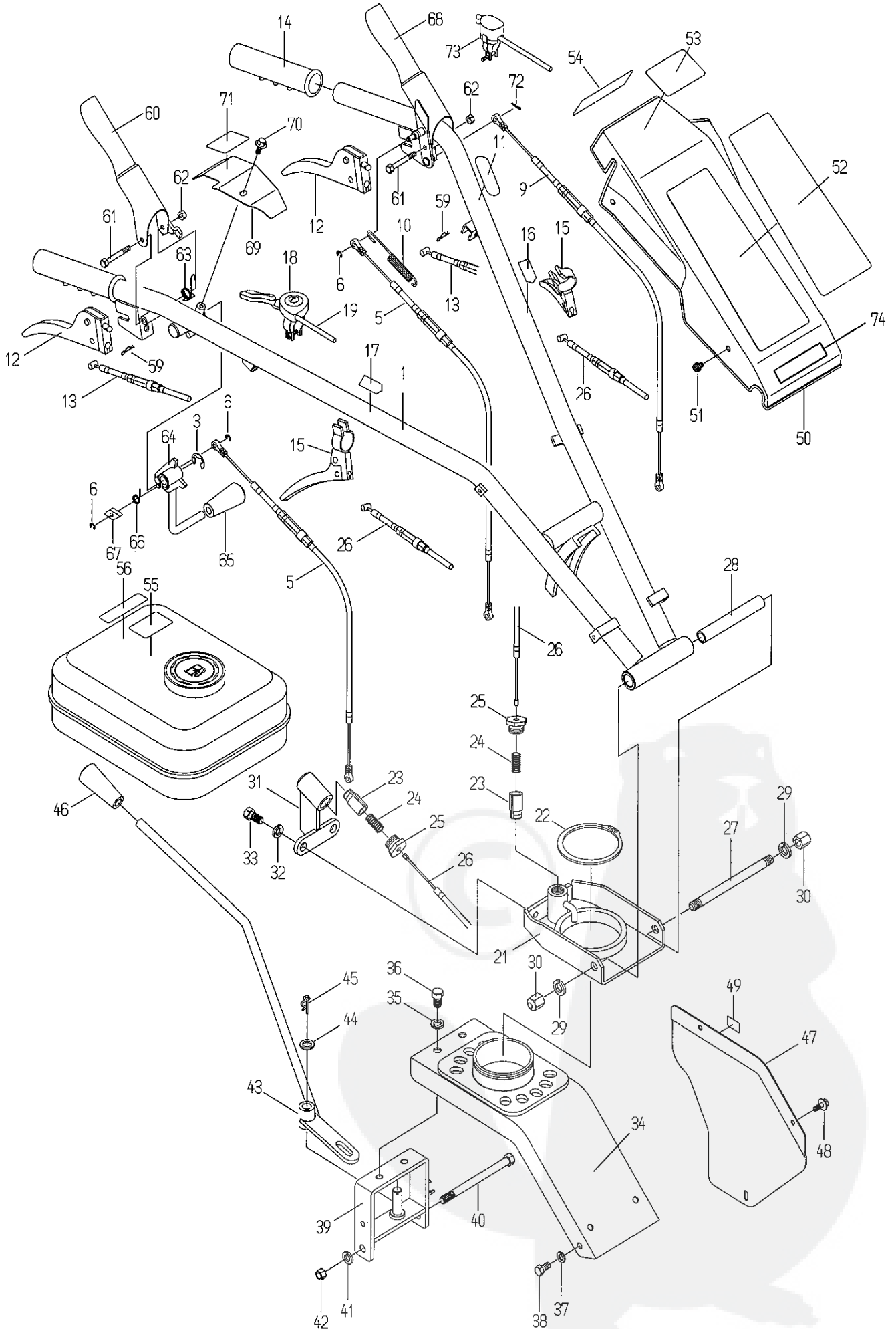


FIG. 1 HANDLE (NEW TYPE)

Ref.	Parts No.	Parts Name	Quantity								Remarks	
			OLD	OLD	OLD	OLD	NEW	NEW	NEW	NEW		
			HR	HR	HR	HR	HR	HR	HR	HR		
			661A	661A	801A	801A	661A	661A	801A	801A		
				EY28	FE250	GM301	FE290					
53	80-1614-907-00	Label, Model										
	0211-70100	Label, Model	1	1				1	1			
	0204-70100	Label, Model			1	1				1	1	
54	80-1565-911-10	Label, Change	1	1	1	1	1	1	1	1	1	1
55	83-1415-909-00	Label, Caution for Engine etc	1	1	1	1	1	1	1	1	1	*6)
	0223-76200	Label, Caution for Engine etc						1	1	1	1	*1) *7)
56	80-1415-911-10	Label, Change	1	1	1	1	1	1	1	1	1	
59	89-2131-060002	Snap Pin 6						2	2	2	2	*5)
60	0211-20300	Blade clutch lever						1	1	1	1	*5)
61	89-1113-060552	Hexagonal Bolt (8T) M6*55						2	2	2	2	*5)
62	89-1551-060002	Hexagonal U Nut M6						2	2	2	2	*5)
63	80-1417-971-00	Blade clutch return spring						1	1	1	1	*5)
64	0211-20400	Blade tension lever						1	1	1	1	*5)
65	80-1417-255-00	Lever Grip(Red) 10						1	1	1	1	*5)
66	0211-70400	Stopper return spring						1	1	1	1	*5)
67	80-1417-253-00	Stopper						1	1	1	1	*5)
68	0211-20200	Driving clutch lever						1	1	1	1	*5)
69	0211-20500	Upper cover						1	1	1	1	*5)
70	89-1137-060122	Hexagonal Bolt (PW) M6*12						1	1	1	1	*5)
71	80-1417-918-00	Label, Cutting						1	1	1	1	*5)
72	89-2120-200152	Split Pin 2*15						1	1	1	1	*5)
73	80-1614-280-00	Switch Assy						1	1	1	1	*5)
74	83-1310-902-00	OREC Mark	1	1	1	1	1	1	1	1	1	

M E M O

Remark 1 : Supplied Parts 83-1415-453-10 . 83-1445-965-10 (1 set)

Remark 2 : Supplied Parts 83-1415-453-10 . 83-1110-965-10 (1 set)

*1) : Interchangeable

*2) : Serial Number HR661A : ~YD00M00502 HR801A : ~YG00M00030

*3) : Serial Number HR661A : YD01A00503~ HR801A : YG01A00031~

*4) : Serial Number HR661A : ~YD01D00075 HR801A : ~YG01E00032

*5) : Serial Number HR661A : YD01K00076~ HR801A : YG01M00034~

*6) : Serial Number HR661A : ~YD03G00104 HR801A : ~YG03G00024

*7) : Serial Number HR661A : YD03K00105~ HR801A : YG03J00025~

*8) : Serial Number HR661A : YD004M00409~ HR801A : YG05C00001~

*9) : Serial Number HR661A : ~YD05A00482 HR801A : ~YG04L00034

*10) : Serial Number HR661A : YD05B00001~ HR801A : YG05C00001~

Fig. 2 TRANSMISSION

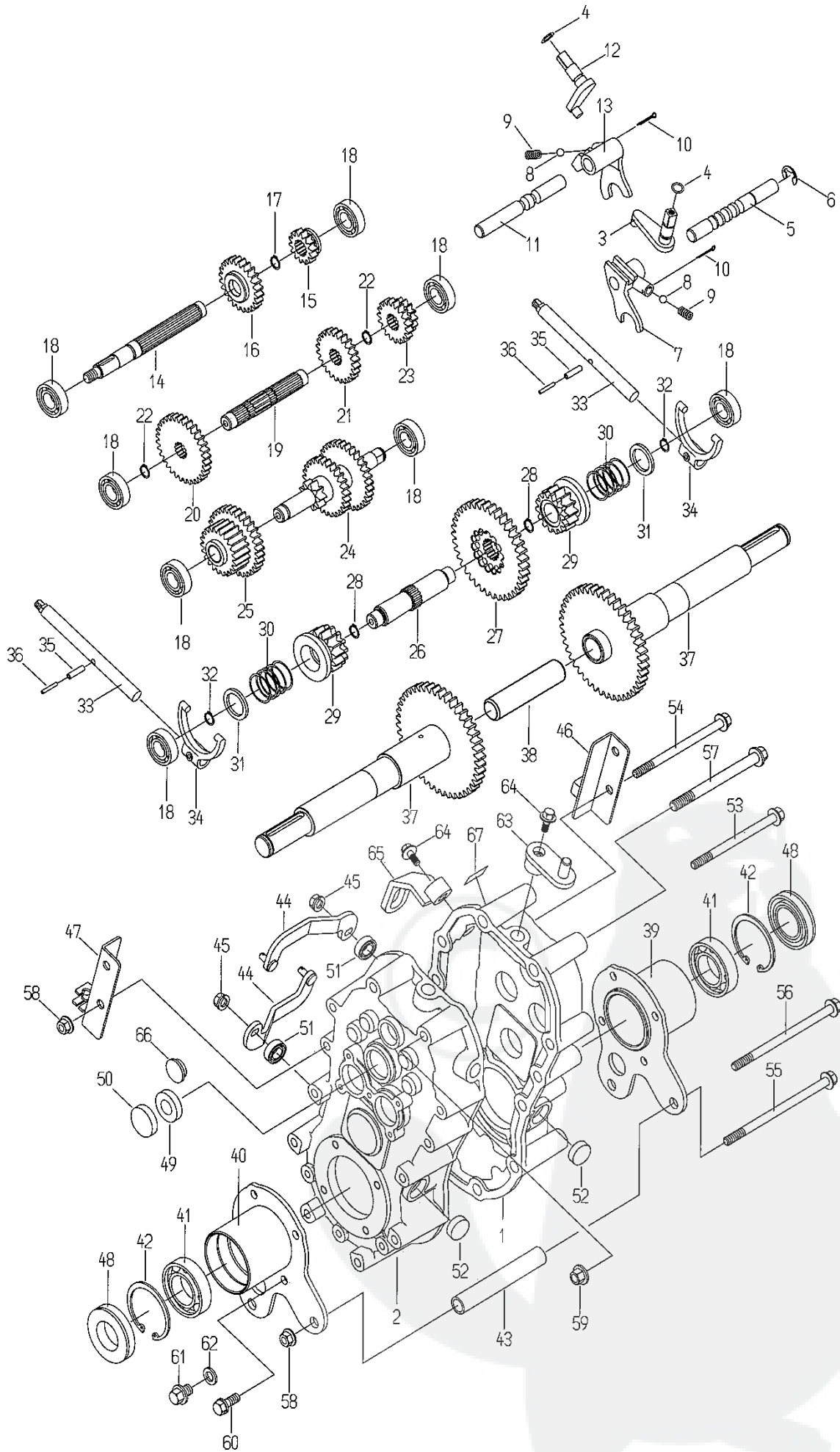


FIG. 2 TRANSMISSION

Ref.	Parts No.	Parts Name	Quantity								Remarks
			OLD	OLD	OLD	OLD	NEW	NEW	NEW	NEW	
			HR	HR	HR	HR	HR	HR	HR	HR	
			661A	661A	801A	801A	661A	661A	801A	801A	
EY28	FE250	GM301	FE290	EY28	FE250	GM301	FE290				
1	80-1614-101-00	Transmission Case (L)	1	1	1	1	1	1	1	1	
2	80-1614-103-00	Transmission Case (R)	1	1	1	1	1	1	1	1	
3	80-1575-106-00	Swing Arm	1	1	1	1	1	1	1	1	
4	89-5221-009000	O Ring P9	2	2	2	2	2	2	2	2	
5	80-1575-107-20	Shift Folk Shaft	1	1	1	1	1	1	1	1	
6	89-2521-000100	E-type Ring 10	1	1	1	1	1	1	1	1	
7	80-1575-108-10	1st Shaft Shift Folk	1	1	1	1	1	1	1	1	
8	89-3410-075000	Ball 7.5	2	2	2	2	2	2	2	2	
9	80-1310-138-00	Spring 1.4	2	2	2	2	2	2	2	2	
10	89-2120-200202	Pin 2*20	2	2	2	2	2	2	2	2	
11	80-1575-110-00	Sub Change Shift Fork Shaft	1	1	1	1	1	1	1	1	
12	80-1575-109-00	Swing Arm	1	1	1	1	1	1	1	1	
13	80-1575-111-00	Sub Change Shift Fork	1	1	1	1	1	1	1	1	
14	80-1614-118-00	Trasmission 1st Shaft	1	1	1	1	1	1	1	1	
15	80-1575-120-10	1st Shaft Shift Gear 14T	1	1	1	1	1	1	1	1	
16	80-1575-121-00	Top Gear 24T									
	0211-00100	Top Gear 27T	1	1	1	1	1	1	1	1	
17	89-2511-000160	Snap Ring 16	1	1	1	1	1	1	1	1	
18	89-3111-062024	Bearing 6202	8	8	8	8	8	8	8	8	
19	80-1575-127-20	2nd Shaft	1	1	1	1	1	1	1	1	
20	80-1575-128-10	2nd Shaft Gear 32T	1	1	1	1	1	1	1	1	
21	80-1575-129-10	2nd Shaft Gear 24T									
	0211-00200	2nd Shaft Gear 27T	1	1	1	1	1	1	1	1	
22	89-2511-000170	Snap Ring 17	2	2	2	2	2	2	2	2	
23	80-1575-130-50	Sub Change Shift Gear 14-19	1	1	1	1	1	1	1	1	
24	80-1614-134-10	3rd Shaft CMP	1	1	1	1	1	1	1	1	
25	80-1575-135-10	3rd Shaft Law Gear CMP 22-32									
	0211-00300	3rd Shaft Law Gear CMP 19-32	1	1	1	1	1	1	1	1	
26	80-1575-140-00	Side Clutch Shaft	1	1	1	1	1	1	1	1	
27	80-1575-142-00	Side Clutch Gear 38T	1	1	1	1	1	1	1	1	
28	89-2511-000200	Snap Ring 20	2	2	2	2	2	2	2	2	
29	80-1032-141-00	Side Clutch Gear 14T	2	2	2	2	2	2	2	2	
30	80-1575-162-00	Side Clutch Spring	2	2	2	2	2	2	2	2	
31	83-1633-362-10	Thrust Washer 15x30x1.2	2	2	2	2	2	2	2	2	
32	89-2511-000150	Snap Ring 15	2	2	2	2	2	2	2	2	
33	80-1425-112-00	Driving Clutch Folk Shaft	2	2	2	2	2	2	2	2	
34	80-1415-114-00	Side Clutch Folk	2	2	2	2	2	2	2	2	
35	89-2111-050020	Spring Pin 5x20	2	2	2	2	2	2	2	2	
36	89-2111-030020	Spring Pin 3x20	2	2	2	2	2	2	2	2	
37	80-1614-146-10	Axle CMP	2	2			2	2			
	0204-00100	Axle CMP			2	2			2	2	
38	80-1310-150-10	Shaft Pin	1	1	1	1	1	1	1	1	
39	80-1565-156-00	Shaft BB Case (R)	1	1	1	1	1	1	1	1	
40	80-1565-155-00	Shaft BB Case (L)	1	1	1	1	1	1	1	1	
41	89-3111-060064	Bearing 6006	2	2	2	2	2	2	2	2	
42	89-2512-000550	Snap Ring 55	2	2	2	2	2	2	2	2	
43	80-1565-159-00	Shaft BB Reinforce Pipe	2	2	2	2	2	2	2	2	
44	80-1565-153-00	Side Clutch Arm	2	2	2	2	2	2	2	2	
45	89-1543-080002	Mini Hexagonal Nut(SW) M8	2	2	2	2	2	2	2	2	
46	80-1565-197-00	Side Clutch Wire Stopper (L)	1	1	1	1	1	1	1	1	
47	80-1614-198-10	Side Clutch Wire Stopper (R)	1	1	1	1	1	1	1	1	

Fig. 2 TRANSMISSION

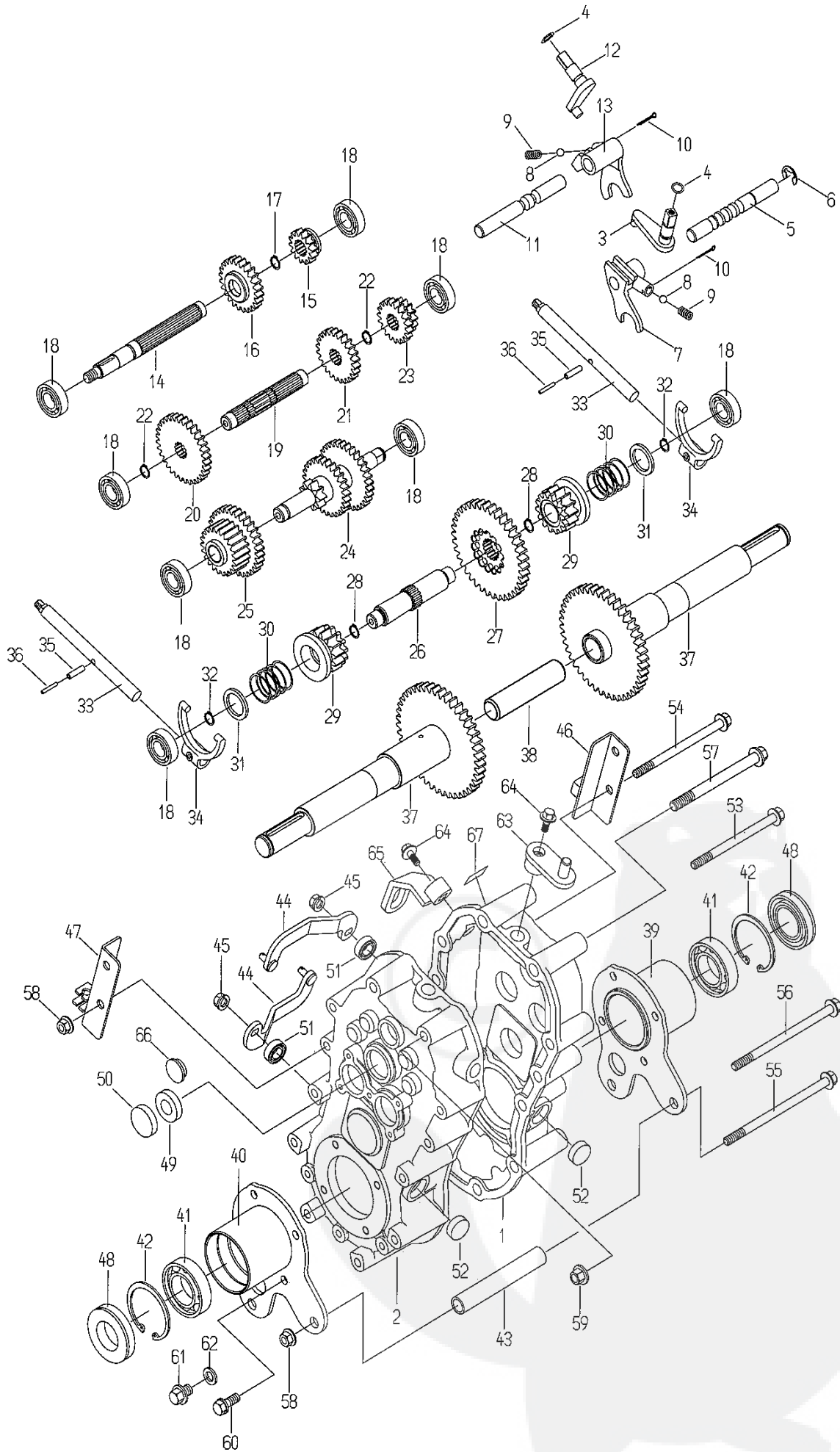


FIG. 2 TRANSMISSION

Ref.	Parts No.	Parts Name	Quantity								Remarks
			OLD	OLD	OLD	OLD	NEW	NEW	NEW	NEW	
			HR	HR	HR	HR	HR	HR	HR	HR	
			661A	661A	801A	801A	661A	661A	801A	801A	
EY28	FE250	GM301	FE290	EY28	FE250	GM301	FE290				
48	83-1415-662-00	Oil Seal AP 35.55.8	2	2	2	2	2	2	2	2	
49	89-5121-153007	Oil Seal UE 15.30.7	2	2	2	2	2	2	2	2	
50	83-1415-672-00	Blind Cover 30	2	2	2	2	2	2	2	2	
51	89-5121-122207	Oil Seal UE 12x22x7	2	2	2	2	2	2	2	2	
52	83-1415-671-00	Blind Cover 22	2	2	2	2	2	2	2	2	
53	89-1251-081122	Flange Hexagonal Bolt M8*112	2	2	2	2	2	2	2	2	
54	89-1251-081202	Flange Hexagonal Bolt M8*120	2	2	2	2	2	2	2	2	
55	89-1251-081402	Flange Hexagonal Bolt M8*140	3	3	3	3	3	3	3	3	
56	89-1251-081352	Flange Hexagonal Bolt M8*135	2	2	2	2	2	2	2	2	
57	89-1251-101152	Flange Hexagonal Bolt M8*115	1	1	1	1	1	1	1	1	
58	89-1565-080003	Mini Flange U Nut M8	9	9	9	9	9	9	9	9	
59	89-1565-100003	Mini Flange U Nut M10	1	1	1	1	1	1	1	1	
60	83-1415-127-00	Seal Bolt(SW) M8x20	8	8	8	8	8	8	8	8	
61	89-1251-100122	Flange Hexagonal Bolt M10*12	1	1	1	1	1	1	1	1	
62	83-1020-349-00	Copper Packing 10	1	1	1	1	1	1	1	1	
63	80-1565-264-00	Main Change Arm(Complete)	1	1	1	1	1	1	1	1	
64	83-1565-111-00	Hexagonal Bolt(with Big Washer) M	2	2	2	2	2	2	2	2	
65	80-1614-194-10	Sub Change Arm(complete)	1	1	1	1	1	1	1	1	
66	83-1110-683-00	Oil Stopper 20	2	2	2	2	2	2	2	2	
67	80-1614-909-00	Label, Transmission Set									
	0211-70200	Label, Transmission	1	1			1	1			
	0204-70200	Label, Transmission			1	1			1	1	

M E M O



Fig. 3 FRAME

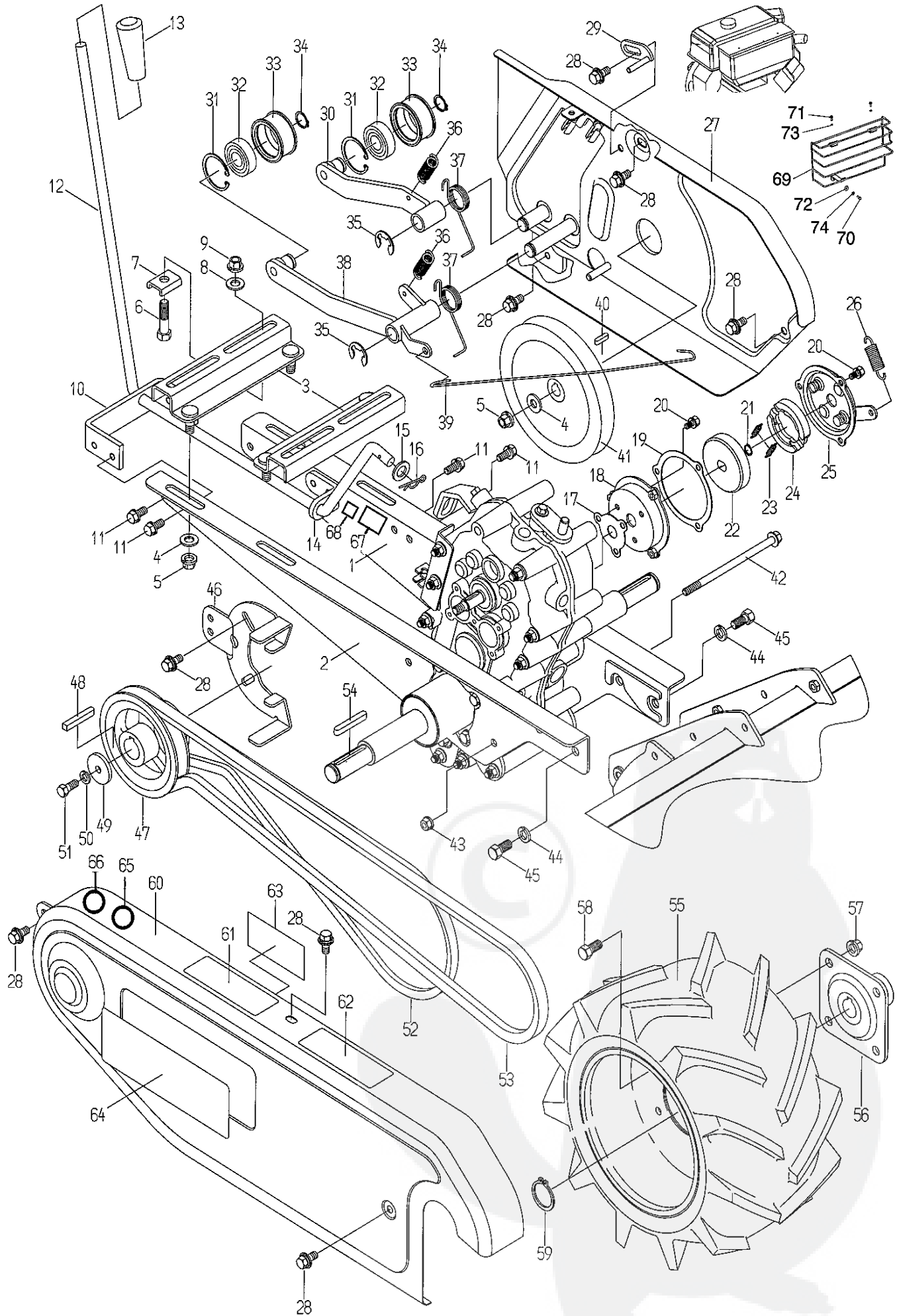


FIG. 3 FRAME

Ref.	Parts No.	Parts Name	Quantity								Remarks
			OLD	OLD	OLD	OLD	NEW	NEW	NEW	NEW	
			HR	HR	HR	HR	HR	HR	HR	HR	
			661A	661A	801A	801A	661A	661A	801A	801A	
				EY28	FE250	GM301	FE290				
1	80-1614-301-20	Main Frame(L) CMP	1	1	1	1	1	1	1	1	
2	80-1614-302-20	Main Frame(R) CMP	1	1	1	1	1	1	1	1	
3	80-1415-311-20	Free Base	2	2	2	2	2	2	2	2	
4	89-1711-100002	Flat Washer	5	5	5	5	5	5	5	5	
5	89-1543-100002	Mini Hexagonal Nut(SW) M10	5	5	5	5	5	5	5	5	
6	89-1211-100402	Mini Hexagonal Bolt M10*40	4		4		4		4		
	89-1213-080402	Mini Hexagonal Bolt (8T) M8*40		4		4		4		4	
7	83-1210-389-00	Whirl Stop Plate A10 (H17)	4		4		4		4		
	0211-31100	Whirl Stop Plate A10 (H14)	4		4		4		4		
	83-1210-388-00	Whirl Stop Plate B8		4		4		4		4	
8	89-1711-100002	Flat Washer 10	2		2	2	2		2		
	89-1711-080002	Flat Washer 8		2				2		2	
9	89-1543-100002	Mini Hexagonal Nut(SW) M10	4		4		4		4		
	89-1543-080002	Mini Hexagonal Nut(SW) M8		4		4		4		4	
10	80-1415-326-00	Rear Bracket	1	1	1	1	1	1	1	1	
11	89-1232-080162	Mini Hexagonal Bolt (SW) M8*16	6	6	6	6	6	6	6	6	
12	80-1415-263-00	Change Lever (FE250.FE290.GM301)		1	1	1		1	1	1	
	80-1415-263-10	Change Lever (FE250.FE290.GM301)		1	1	1		1	1	1	*1)
	80-1614-263-00	Change Lever (EY28)	1				1				
13	83-1711-426-00	Lever Grip 12	1	1	1	1	1	1	1	1	
14	80-1415-327-00	Change Rod Setting	1	1	1	1	1	1	1	1	
15	89-1711-120002	Flat Washer 12	1	1	1	1	1	1	1	1	
16	89-2131-120002	R Pin 12	1	1	1	1	1	1	1	1	
17	85-1445-317-00	Brake Packing(small)	1	1	1	1	1	1	1	1	
18	80-1614-312-00	Brake Cover CMP	1	1	1	1	1	1	1	1	
19	85-1445-318-00	Brake Packing(large)	1	1	1	1	1	1	1	1	
	0211-31800	Brake Packing(large)	1	1	1	1	1	1	1	1	*1)
20	89-1132-060122	Hexagonal Bolt(SW) M6*12	6	6	6	6	6	6	6	6	
21	89-2511-000140	Snap Ring 14	1	1	1	1	1	1	1	1	
22-25	80-1614-310-00	Brake ASSY	1	1	1	1	1	1	1	1	
22	85-1711-315-00	Brake Drum	1	1	1	1	1	1	1	1	
23	85-1711-317-00	Shoe Return Spring	2	2	2	2	2	2	2	2	
24	85-1711-316-00	Brake Shoe	2	2	2	2	2	2	2	2	
25	80-1614-314-00	Brake Cover	1	1	1	1	1	1	1	1	
26	80-1614-315-00	Return Spring	1	1	1	1	1	1	1	1	
27	80-1614-501-20	Belt Cover Inside CMP	1	1	1	1	1	1	1	1	
28	89-1233-080162	Mini Hexagonal Bolt (PWSW) M8*1	9	9	9	9	9	9	9	9	
29	80-1321-561-10	Belt Holder	1	1	1	1	1	1	1	1	
30	80-1614-542-10	Driving Tension Arm	1	1	1	1	1	1	1	1	
31	89-2512-000400	Snap Ring 40	2	2	2	2	2	2	2	2	
32	89-3115-062034	Bearing 6203 2RS	2	2	2	2	2	2	2	2	
33	83-1032-765-00	Tension Pulley	2	2	2	2	2	2	2	2	
34	89-2511-000170	Snap Ring 17	2	2	2	2	2	2	2	2	
35	89-2521-000150	E-type Ring 15	2	2	2	2	2	2	2	2	
36	80-1560-551-00	Return Spring	2	2	2	2	2	2	2	2	
37	80-1614-552-00	Tension Spring	2	2	2	2	2	2	2	2	
38	80-1614-546-10	Knife Tension Arm	1	1	1	1	1	1	1	1	
39	80-1614-374-30	Brake Rod	1	1	1	1	1	1	1	1	
40	89-2150-050200	Key 5x20	1	1	1	1	1	1	1	1	
41	80-1614-521-00	Transmission Pulley	1	1	1	1	1	1	1	1	
42	89-1251-081453	Flange Hexagonal Bolt M8*145	3	3	3	3	3	3	3	3	

Fig. 3 FRAME

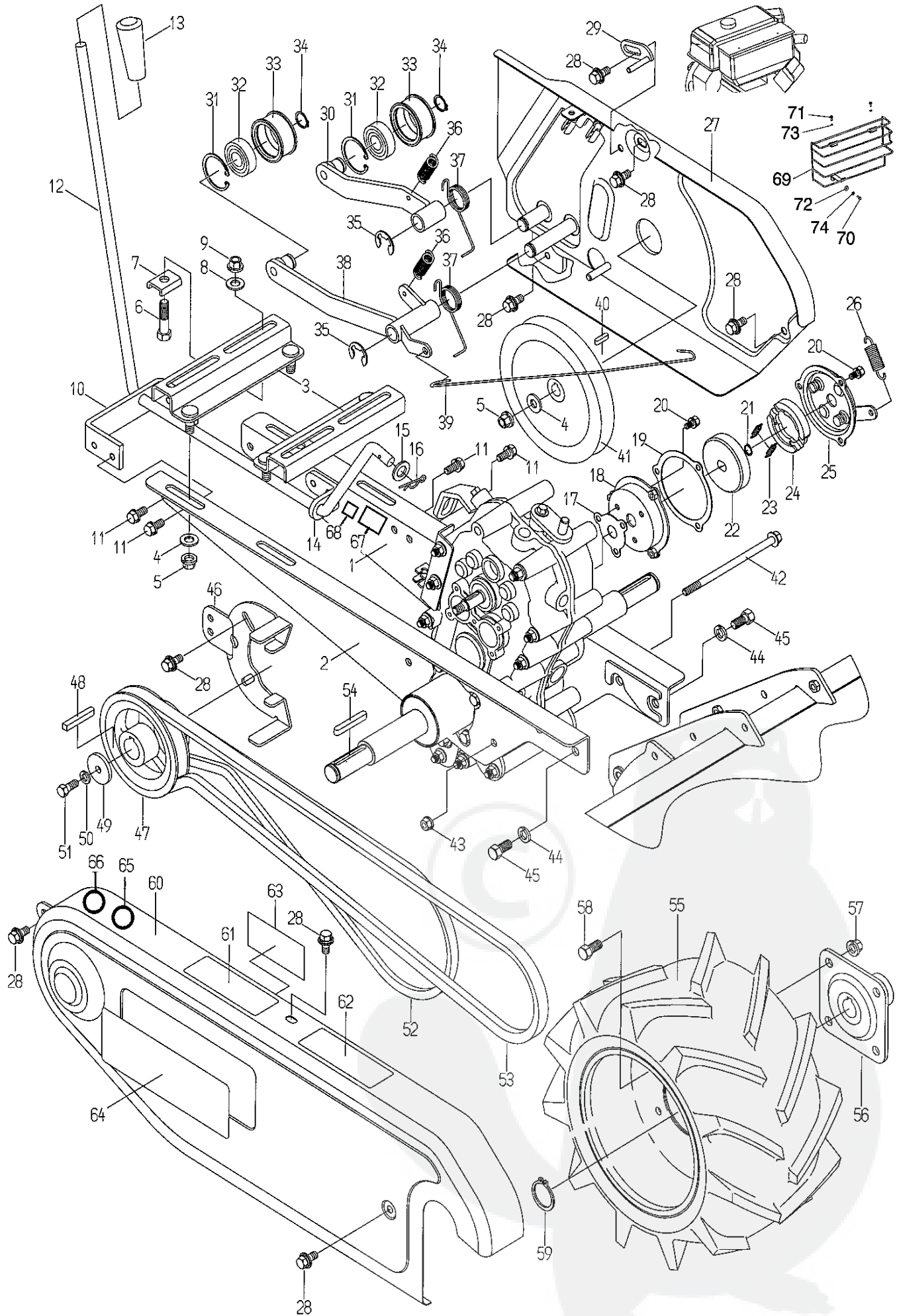


FIG. 3 FRAME

Ref.	Parts No.	Parts Name	Quantity								Remarks
			OLD	OLD	OLD	OLD	NEW	NEW	NEW	NEW	
			HR	HR	HR	HR	HR	HR	HR	HR	
			661A	661A	801A	801A	661A	661A	801A	801A	
EY28	FE250	GM301	FE290	EY28	FE250	GM301	FE290				
43	89-1543-080002	Mini Hexagonal Nut(SW) M8	3	3	3	3	3	3	3	3	
44	89-1750-100002	Spring Washer 10	4	4	4	4	4	4	4	4	
45	89-1213-100202	Mini Hexagonal Bolt (8T) M10*20	4	4	4	4	4	4	4	4	
46	80-1614-561-20	Belt Holder	1	1	1	1	1	1	1	1	
47	80-1614-514-20	Engine Pulley 132	1	1	1	1	1	1	1	1	
48	89-2151-070400	Key 7x40	1	1	1	1	1	1	1	1	
49	83-1565-315-00	Washer 8x36x4.5	1	1	1	1	1	1	1	1	
50	89-1750-080002	Spring Washer 8	1	1	1	1	1	1	1	1	
51	89-1213-080202	Mini Hexagonal Bolt (8T) M8*20	1	1	1	1	1	1	1	1	
52	89-6122-004601	V Belt LA-46		1				1			
	89-6122-004701	V Belt LA-47	1				1				
	89-6122-004602	V Belt LA-46 W800			1	1			1	1	
53	89-6123-006201	V Belt LB-62		1				1			
	89-6123-006301	V Belt LB-63	1				1				
	89-6123-006202	V Belt LB-62 W800			1	1			1	1	
54	89-2150-070500	Key 7x50	2	2	2	2	2	2	2	2	
55	80-1751-412-00	Tire(R) ASSY	1	1	1	1	1	1	1	1	
	80-1751-411-00	Tire(L) ASSY	1	1	1	1	1	1	1	1	
56	80-1565-413-00	Wheel Boss	2	2	2	2	2	2	2	2	
57	89-1543-100002	Mini Hexagonal Nut(SW) M10	8	8	8	8	8	8	8	8	
58	89-1211-100202	Mini Hexagonal Bolt M10*20	8	8	8	8	8	8	8	8	
59	89-2511-000220	Snap Ring 22	2	2	2	2	2	2	2	2	
60	80-1614-504-10	Belt Cover CMP	1	1	1	1	1	1	1	1	
	80-1614-504-20	Belt Cover CMP	1	1	1	1	1	1	1	1	*1)
61	80-1488-928-00	Label, Caution for Pinching	1	1	1	1	1	1	1	1	*6)
	80-1488-928-10	Label, Caution for Pinching					1	1	1	1	*1) *7)
62	83-1260-908-00	Label, Caution for Back	1	1	1	1	1	1	1	1	*6)
63	83-1614-920-10	Label, Belt Size	1	1	1	1	1	1	1	1	
64	80-1614-905-00	Label, Belt Case	1	1	1	1	1	1	1	1	
65	0215-83200	Label, Protection Equipment					1	1	1	1	*7)
66	0223-72900	Attention Mark for Slope					1	1	1	1	*7)
	0223-72910	Attention Mark for Slope					1	1	1	1	*1) 8)
67	80-1020-932-00	Label, Noise 100db	1	1	1	1	1	1	1	1	
68	80-1010-933-00	Label, CE	1	1	1	1	1	1	1	1	
69	0223-60700	Muffler Guard CMP						1		1	*8)
70	89-1113-060162	Hexagonal Bolt (8T) M6*16						1		1	*8)
71	89-1251-050123	Flange Hexagonal Bolt M5*12						2		2	*8)
72	89-1713-060002	Flat Washer 6						1		1	*8)
73	89-1750-050003	Spring Washer 5						2		2	*8)
74	89-1750-060002	Spring Washer 6						1		1	*8)

M E M O

Fig. 4 ROTARY COVER

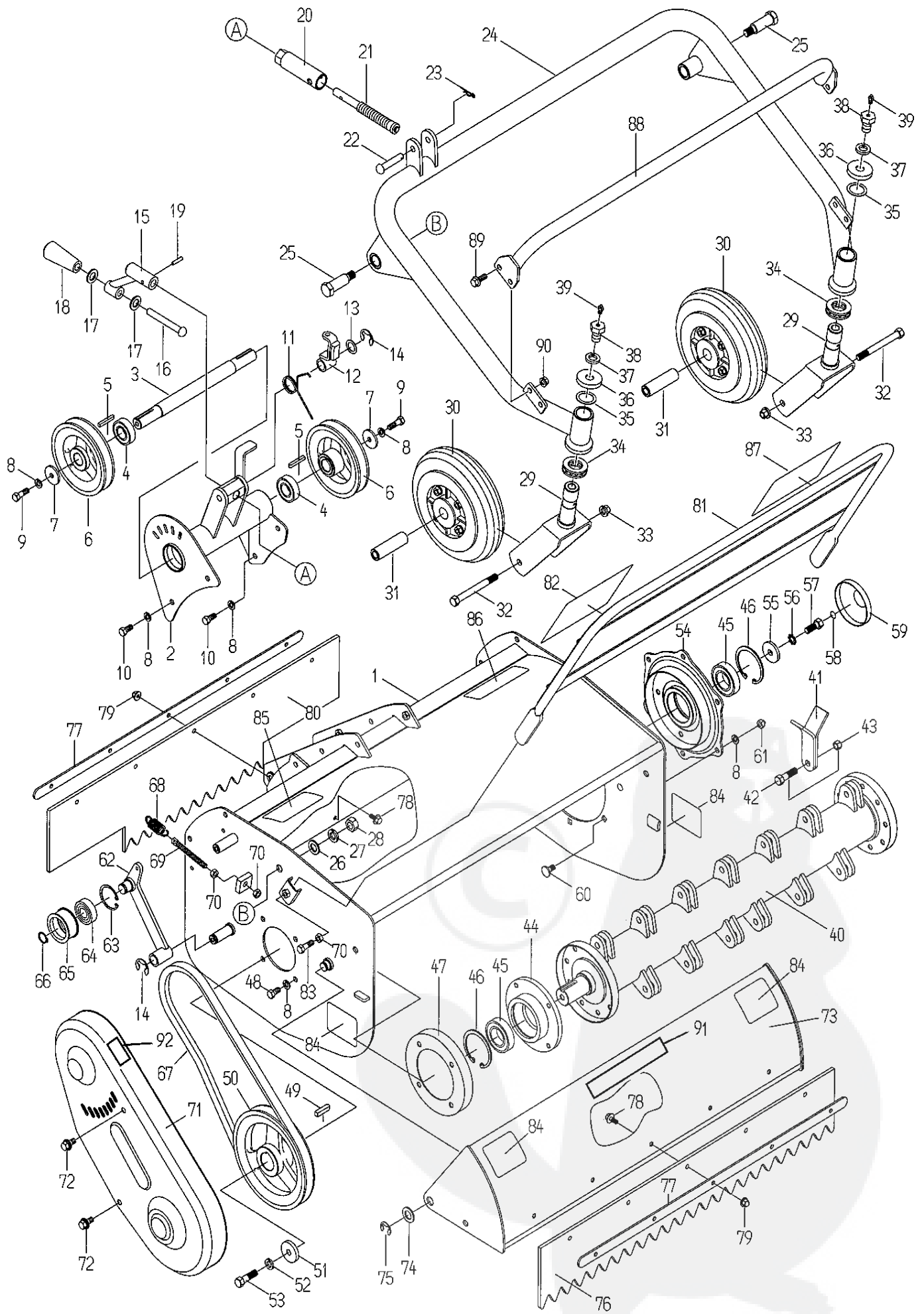


FIG. 4 ROTARY COVER

Ref.	Parts No.	Parts Name	Quantity								Remarks		
			OLD	OLD	OLD	OLD	NEW	NEW	NEW	NEW			
			HR	HR	HR	HR	HR	HR	HR	HR			
			661A	661A	801A	801A	661A	661A	801A	801A			
EY28	FE250	GM301	FE290	EY28	FE250	GM301	FE290						
1	80-1614-703-20	Rotary Cover CMP	1	1									
	80-1614-703-30	Rotary Cover CMP	1	1			1	1					*1)
	0204-60100	Rotary Cover CMP			1	1							
	0204-60110	Rotary Cover CMP			1	1				1	1		*1)
2	80-1614-691-20	Supporter Pipe CMP	1	1									
	80-1614-691-30	Supporter Pipe CMP	1	1			1	1					*1)
	0204-40200	Supporter Pipe CMP			1	1				1	1		
3	80-1614-621-20	Supporter Shaft	1	1			1	1					*2)
	80-1614-621-30	Supporter Shaft	1	1			1	1					*3)
	0204-40100	Supporter Shaft			1	1				1	1		*2)
	0204-40110	Supporter Shaft			1	1				1	1		*3)
4	89-3115-060044	Bearing 6004 2RS	2	2	2	2	2	2	2	2	2	2	
5	89-2151-050350	Key 5x35	2	2	2	2	2	2	2	2	2	2	
6	80-1614-636-00	Supporter Pulley	2	2	2	2	2	2	2	2	2	2	
7	83-1565-315-00	Washer 8x36x4.5	2	2	2	2	2	2	2	2	2	2	*2)
	83-1610-321-00	Washer 10x36x4.5	2	2	2	2	2	2	2	2	2	2	*3)
8	89-1750-080002	Spring Washer 8	16	16	16	16	16	16	16	16	16	16	*2)
	89-1750-080002	Spring Washer 8	14	14	14	14	14	14	14	14	14	14	*3)
	89-1750-100002	Spring Washer 10	2	2	2	2	2	2	2	2	2	2	*3)
9	89-1213-080252	Mini Hexagonal Bolt (8T) M8*25	2	2	2	2	2	2	2	2	2	2	*2)
	89-1213-100252	Mini Hexagonal Bolt (8T) M10*25	2	2	2	2	2	2	2	2	2	2	*3)
10	89-1213-080182	Mini Hexagonal Bolt (8T) M8*18	4	4	4	4	4	4	4	4	4	4	
11	80-1614-373-20	Knife Brake Spring	1	1	1	1	1	1	1	1	1	1	
12	80-1417-371-00	Knife Brake	1	1	1	1	1	1	1	1	1	1	
	0231-37100	Knife Brake	1	1	1	1	1	1	1	1	1	1	*1)
13	83-1020-363-00	Thrust Washer 16x24x1.0	1	1	1	1	1	1	1	1	1	1	
14	89-2521-000150	E-type Ring 15	2	2	2	2	2	2	2	2	2	2	
15	84-1723-739-00	Cutting Height Adjusting Handle	1	1	1	1	1	1	1	1	1	1	
16	83-1713-166-00	Round Head Pin 10x80	1	1	1	1	1	1	1	1	1	1	
17	89-1711-100002	Flat Washer 10	2	2	2	2	2	2	2	2	2	2	
18	83-1210-425-00	Lever Grip 10	1	1	1	1	1	1	1	1	1	1	
19	89-2111-050022	Spring Pin 5x22	1	1	1	1	1	1	1	1	1	1	
20	80-1614-742-10	Height Adjusting Bolt Receiver	1	1	1	1	1	1	1	1	1	1	
21	80-1614-724-10	Height Adjusting Bolt CMP	1	1	1	1	1	1	1	1	1	1	
22	89-2181-100502	Flat Head Pin 10x50	1	1	1	1	1	1	1	1	1	1	
23	89-2131-100002	R Pin 10	1	1	1	1	1	1	1	1	1	1	
24	80-1614-723-20	Front Arm CMP	1	1									
	0211-60400	Front Arm CMP					1	1					*1) *5)
	0204-60200	Front Arm CMP			1	1							
	0204-61100	Front Arm CMP								1	1		*1) *5)
25	80-1610-714-00	Front Arm Setting Shaft	2	2	2	2	2	2	2	2	2	2	
26	89-1711-120002	Flat Washer 12	2	2	2	2	2	2	2	2	2	2	
27	89-1750-120002	Spring Washer 12	2	2	2	2	2	2	2	2	2	2	
28	83-1610-192-00	Hexagonal Nut(slender) M12 P=1.2	2	2	2	2	2	2	2	2	2	2	
29	80-1614-725-10	Front Fork CMP	2	2	2	2	2	2	2	2	2	2	
	80-1614-725-20	Front Fork CMP	2	2	2	2	2	2	2	2	2	2	*1)
30	80-1614-727-00	Front Wheel	2	2	2	2	2	2	2	2	2	2	
31	80-1614-726-00	Front Wheel Collar	2	2	2	2	2	2	2	2	2	2	
32	89-1211-100952	Mini Hexagonal Bolt M10*95	2	2	2	2	2	2	2	2	2	2	
33	89-1543-100002	Mini Hexagonal Nut(SW) M10	2	2	2	2	2	2	2	2	2	2	
34	89-3370-051105	Thrust Bearing 51105	2	2	2	2	2	2	2	2	2	2	

Fig. 4 ROTARY COVER

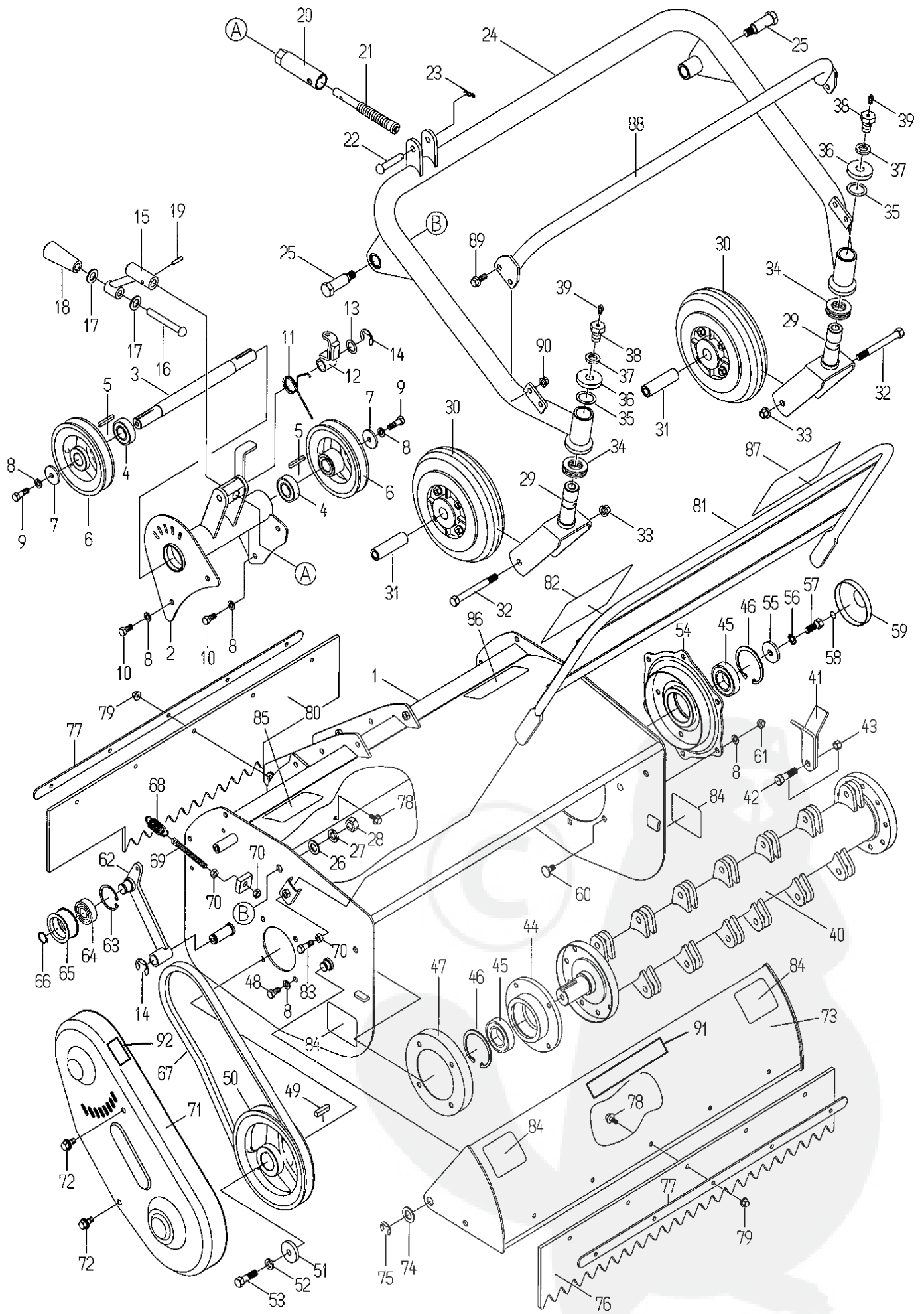


FIG. 4 ROTARY COVER

Ref.	Parts No.	Parts Name	Quantity								Remarks
			OLD	OLD	OLD	OLD	NEW	NEW	NEW	NEW	
			HR	HR	HR	HR	HR	HR	HR	HR	
			661A	661A	801A	801A	661A	661A	801A	801A	
				EY28	FE250	GM301	FE290				
35	83-1783-376-00	Thrust Washer 25x34x1.0	2	2	2	2	2	2	2	2	
36	84-1783-729-00	Dust Cover	2	2	2	2	2	2	2	2	
37	89-1750-140002	Spring Washer 14	2	2	2	2	2	2	2	2	
38	84-1783-791-00	Grease Nipple Bolt	2	2	2	2	2	2	2	2	
39	83-1415-975-00	Grease Nipple M6	2	2	2	2	2	2	2	2	
40-43	80-1614-800-00	Knife Drum ASSY	1	1			1	1			
40-43	0204-50000	Knife Drum ASSY			1	1			1	1	
41	80-1610-821-00	Hammer Knife Blade	38	38	46	46	38	38	46	46	
42-43	83-1610-835-00	Knife Setting Bolt Set	19	19	23	23	19	19	23	23	
44	80-1610-804-00	BB Case	1	1	1	1	1	1	1	1	
45	89-3115-062064	Bearing 6206 2RS	2	2	2	2	2	2	2	2	
46	89-2512-000620	Snap Ring 62	2	2	2	2	2	2	2	2	
47	80-1612-813-00	Dust Cover	1	1	1	1	1	1	1	1	
48	89-1213-080162	Mini Hexagonal Bolt (8T) M8*16	4	4	4	4	4	4	4	4	
49	89-2151-070300	Key 7x30	1	1	1	1	1	1	1	1	
50	80-1614-634-20	Knife Pulley 155	1	1	1	1	1	1	1	1	
51	83-1610-322-00	Washer 10x36x6	1	1	1	1	1	1	1	1	
52	89-1750-100002	Spring Washer 10	1	1	1	1	1	1	1	1	
53	83-1610-125-00	Hexagonal Bolt(8T) M10x35	1	1	1	1	1	1	1	1	
54	80-1614-804-20	Knife Shaft BB Case CMP	1	1	1	1	1	1	1	1	
55	83-1610-321-00	Washer 10x36x4.5	1	1	1	1	1	1	1	1	
56	89-1812-100002	Tooth Washer 10	1	1	1	1	1	1	1	1	
57	83-1610-124-00	Hexagonal Bolt(8T) M10x25(left sc	1	1	1	1	1	1	1	1	
58	80-1610-919-00	Label for Left Screw	1	1	1	1	1	1	1	1	
59	80-1614-810-00	BB Case Cover	1	1	1	1	1	1	1	1	
60	80-1614-705-00	Flat Head Bolt M8x18	6	6	6	6	6	6	6	6	
61	89-1671-080042	Mini Bag Nut M8	6	6	6	6	6	6	6	6	
62	80-1614-632-00	Front Tension Arm CMP	1	1	1	1	1	1	1	1	
63	89-2512-000400	Snap Ring 40	1	1	1	1	1	1	1	1	
64	89-3115-062034	Bearing 6203 2RS	1	1	1	1	1	1	1	1	
65	83-1032-765-00	Tension Pulley	1	1	1	1	1	1	1	1	
66	89-2511-000170	Snap Ring 17	1	1	1	1	1	1	1	1	
67	89-6123-003901	V Belt LB-39	1	1			1	1			
	89-6123-003902	V Belt LB-39 W800			1	1			1	1	
68	80-1614-315-00	Return Spring	1	1	1	1	1	1	1	1	
69	80-1182-527-00	Tension Pulling Bolt	1	1	1	1	1	1	1	1	
70	89-1611-080042	Mini Hexagonal Nut M8	4	4	4	4	4	4	4	4	
71	80-1614-694-10	Knife Belt Cover	1	1	1	1	1	1	1	1	
72	89-1233-080162	Mini Hexagonal Bolt (PWSW) M8*1	2	2	2	2	2	2	2	2	
73	80-1614-764-00	Front Cover CMP	1	1			1	1			
	0204-60300	Front Cover CMP			1	1			1	1	
74	83-1110-332-00	Washer 15x26x2.3	2	2	2	2	2	2	2	2	
75	89-2521-000120	E-type Ring 12	2	2	2	2	2	2	2	2	
76	80-1614-781-00	Front Flapper	1	1			1	1			
	80-1614-781-10	Front Flapper	1	1			1	1			*1)
	0204-60400	Front Flapper			1	1			1	1	
77	80-1610-787-00	Flapper Holder	2	2			2	2			
	0204-70600	Flapper Holder			2	2			2	2	
78	89-1137-060152	Hexagonal Bolt(PW) M6*15	10	10	10	10	10	10	10	10	
79	83-1575-189-00	Flange Cap Nut M6	10	10	10	10	10	10	10	10	

Fig. 4 ROTARY COVER

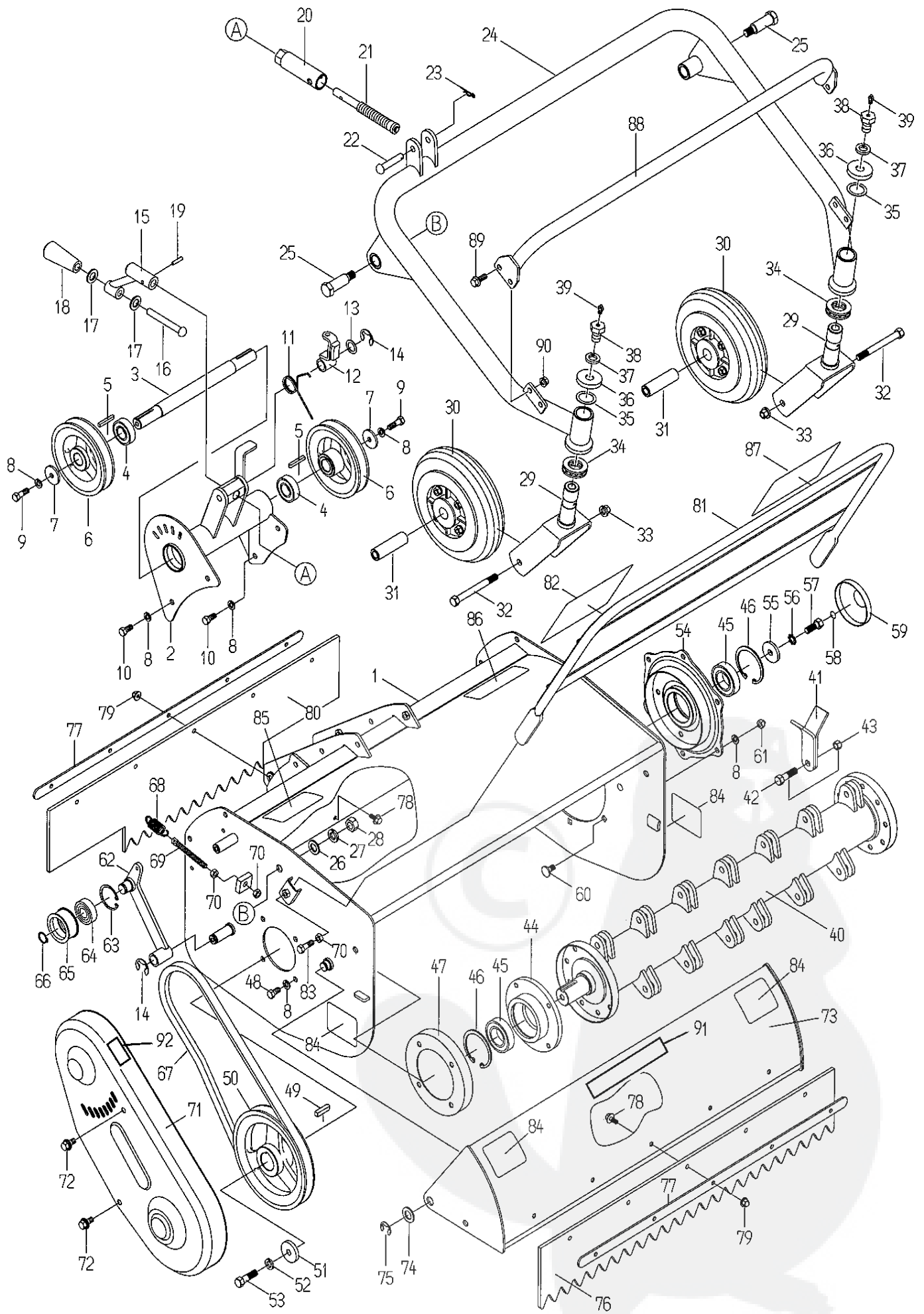


FIG. 4 ROTARY COVER

Ref.	Parts No.	Parts Name	Quantity								Remarks	
			OLD	OLD	OLD	OLD	NEW	NEW	NEW	NEW		
			HR	HR	HR	HR	HR	HR	HR	HR		
			661A	661A	801A	801A	661A	661A	801A	801A		
EY28	FE250	GM301	FE290	EY28	FE250	GM301	FE290					
80	80-1614-782-00	Rear Flapper	1	1			1	1				
	80-1614-782-10	Rear Flapper	1	1			1	1				*1)
	0204-60500	Rear Flapper			1	1				1	1	
81	80-1613-733-10	Safety Cover	1	1			1	1				
	0204-60700	Safety Cover			1	1				1	1	
82	80-1614-906-00	Label, Safety Cover	1	1	1	1	1	1	1	1	1	
83	89-1211-080252	Mini Hexagonal Bolt M8*25	2	2	2	2	2	2	2	2	2	
84	83-1613-907-00	Label, Caution for Hand and Leg	4	4	4	4	4	4	4	4	4	*6)
	83-1613-907-10	Label, Caution for Hand and Leg					4	4	4	4	4	*7)
85	83-1415-912-00	Label, Caution for Hitting Object	1	1	1	1	1	1	1	1	1	*6)
86	83-1415-913-00	Label, Eye Guard	1	1	1	1	1	1	1	1	1	*6)
87	80-1484-A47-00	Label, Caution(large)	1	1	1	1	1	1	1	1	1	*6)
	0223-76100	Label, Caution(large)					1	1	1	1	1	*7)
88	0211-60500	Front Bumper					1	1				*5)
	0204-61200	Front Bumper								1	1	*5)
89	89-1253-080202	Mini Flange Bolt(8T) M8*20					4	4	4	4	4	*5)
90	89-1543-080002	Mini Hexagonal Nut (SW) M8					4	4	4	4	4	*5)
91	83-1050-901-00	Label, OREC	1	1	1	1	1	1	1	1	1	
92	80-1488-928-10	Label, Caution for Pinching					1	1	1	1	1	*7)

M E M O

Remark 1 : Supplied Parts 83-1415-453-10 . 83-1445-965-10 (1 set)

Remark 2 : Supplied Parts 83-1415-453-10 . 83-1110-965-10 (1 set)

*1) : Interchangeable

*2) : Serial Number HR661A : ~YD00M00502 HR801A : ~YG00M00030

*3) : Serial Number HR661A : YD01A00503~ HR801A : YG01A00031~

*4) : Serial Number HR661A : ~YD01D00075 HR801A : ~YG01E00032

*5) : Serial Number HR661A : YD01K00076~ HR801A : YG01M00034~

*6) : Serial Number HR661A : ~YD03G00104 HR801A : ~YG03G00024

*7) : Serial Number HR661A : YD03K00105~ HR801A : YG03J00025~

*8) : Serial Number HR661A : YD004M00409~ HR801A : YG05C00001~

*9) : Serial Number HR661A : ~YD05A00482 HR801A : ~YG04L00034

*10) : Serial Number HR661A : YD05B00001~ HR801A : YG05C00001~