

# Parts catalogue

## BUSH CUTTER

(EXPORT MODEL)

**SH61, SH71**  
**SH61H, SH71H**

MODEL	CODE
SH61	0257-△△△△△
SH71	0258-△△△△△

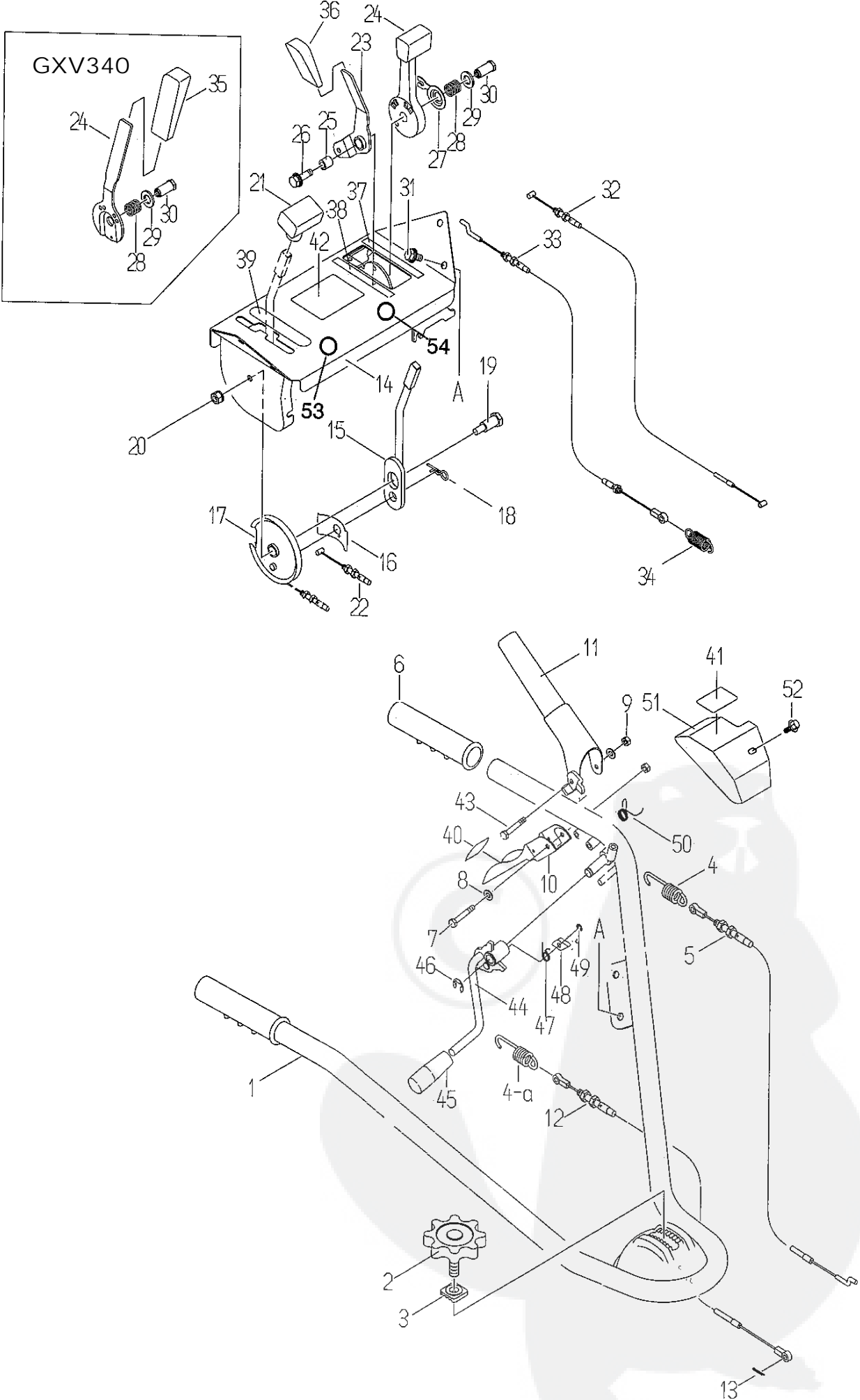
### CONTENTS

Fig.1	HANDLE-----	1
Fig.2	FRAME-----	5
Fig.3	ENGINE PARTS-----	7
Fig.4	TRANSMISSION OUTSIDE & REAR WHEEL-----	9
Fig.5	TRANSMISSION-----	11
Fig.6	KNIFE COVER-----	15
Fig.7	FRONT WHEEL & BRAKE SET-----	19

**OREC CO.,LTD.**

*Update : March 2006*

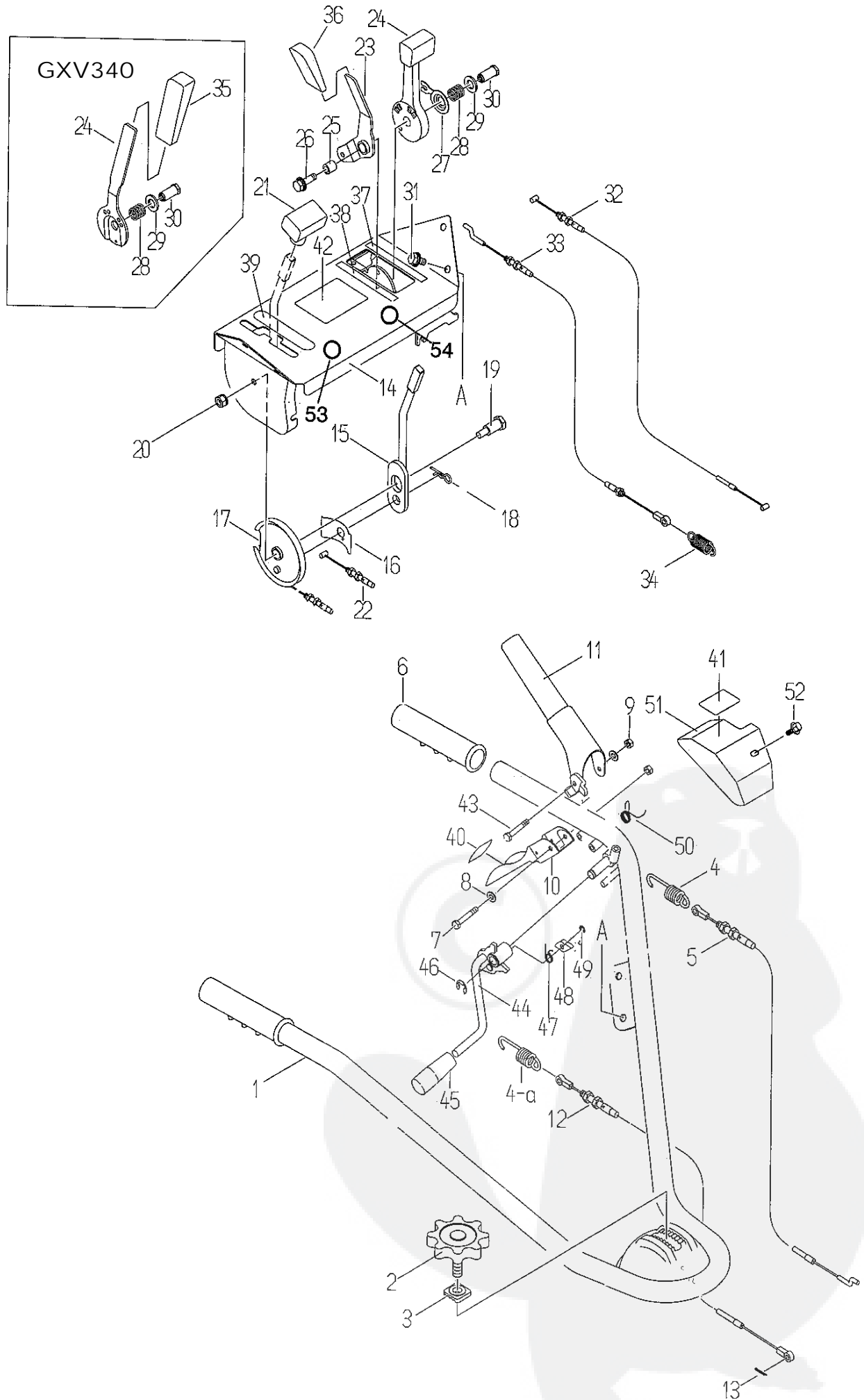
Fig. 1 HANDLE



**FIG. 1 Handle**

Ref.	Parts No.	Parts Name	Quantity							Remarks	
			SH								
			61			61H			71		71H
			FC	GXV	GXV	FC	GXV	GXV	GXV		GXV
180V	160	340	180V	160	340	340	340				
1	<b>0257-10100</b>	<b>Handle</b>	1	1	1	1	1	1	1	1	
2	80-1516-108-00	Knob Bolt	1	1	1	1	1	1	1	1	
3	80-1516-251-00	Washer	1	1	1	1	1	1	1	1	
4	80-1515-966-00	Clutch SP	1	1	1	1	1	1	1	1	
4-a	80-1417-966-00	Clutch SP	1	1	1	1	1	1	1	1	
5	<b>0257-70100</b>	<b>Driving Clutch Wire</b>	1	1	1	1	1	1	1	1	
6	83-1560-414-00	Handle Grip 27	2	2	2	2	2	2	2	2	
7	89-1111-060402	Hexagonal Bolt M6*40	1	1	1	1	1	1	1	1	
8	89-1711-060002	Washer 6	4	4	4	4	4	4	4	4	
9	89-1551-060002	U-type Nut M6	2	2	2	2	2	2	2	2	
10	80-1417-241-10	Clutch Lever	1	1	1	1	1	1	1	1	
11	80-1417-251-00	Knife Clutch Lever	1	1	1	1	1	1	1	1	
12	<b>0257-70300</b>	<b>Knife Clutch Wire</b>	1	1	1	1	1	1	1	1	
13	89-2120-200152	Split Pin 2*15	1	1	1	1	1	1	1	1	
14	80-1417-223-00	Control Panel CMP	1	1	1	1	1	1	1	1	
15	80-1417-263-00	Change Lever	1	1	1	1	1	1	1	1	
16	80-1310-268-00	Non Flap Spring	1	1	1	1	1	1	1	1	
17	80-1417-266-10	Wire Guide B	1	1	1	1	1	1	1	1	
18	89-2131-120002	Snap Pin 12	1	1	1	1	1	1	1	1	
19	80-1210-267-00	Wire Guide Axle	1	1	1	1	1	1	1	1	
20	89-1541-080002	Hexagonal Nut (SW) M8	1	1	1	1	1	1	1	1	
21	83-1417-435-00	Lever Grip (Red)	1	1	1	1	1	1	1	1	
22	83-1417-936-00	Change Wire	2	2	2	2	2	2	2	2	
23	80-1484-273-10	Differential Lock Lever	1	1	1	1	1	1	1	1	
24	80-1020-261-00	Throttle Lever (FC180V)	1			1					
	80-1020-265-00	Throttle Lever (GXV160)		1			1				
	80-1437-261-00	Throttle Lever (GXV270)			1			1	1	1	
25	80-1020-270-00	Inner Collar	1	1	1	1	1	1	1	1	
26	89-1139-080302	Hexagonal Bolt (PWSW) M8*30	1	1	1	1	1	1	1	1	
27	80-1020-264-00	Control Washer	1	1		1	1				
28	80-1020-263-00	Control Axle Spring	1	1	1	1	1	1	1	1	
29	89-1711-120003	Flat Washer 12	1	1	1	1	1	1	1	1	
30	80-1020-262-00	Control Lever Axle	1	1	1	1	1	1	1	1	
31	89-1133-080162	Hexagonal Bolt (PWSW) M8*16	4	4	4	4	4	4	4	4	
32	83-1417-951-00	Throttle Wire (FC180V)	1			1					
	83-1417-952-00	Throttle Wire (GXV160)		1			1				
	83-1437-952-10	Throttle Wire (GXV270)			1			1	1	1	
33	83-1417-937-20	Differential Lock Wire	1	1	1	1	1	1	1	1	
34	80-1417-155-00	Spring	1	1	1	1	1	1	1	1	
35	80-1484-262-00	Arm Grip(red) GXV270			1			1	1	1	
36	80-1515-262-00	Arm Grip(black)	1	1	1	1	1	1	1	1	
37	80-1020-911-10	Throttle Label (K)	1			1					
	80-1020-913-10	Throttle Label (H)		1	1		1	1	1	1	
38	80-1417-906-10	Differential Rock Label	1	1	1	1	1	1	1	1	
39	80-1417-911-10	Label (Change)	1	1	1	1	1	1	1	1	
40	80-1417-914-10	Label(driving)	1	1	1	1	1	1	1	1	
41	80-1417-918-10	Label(Blade)	1	1	1	1	1	1	1	1	
42	<b>0257-71100</b>	<b>Label</b>	1	1	1	1	1	1			
	<b>0258-71100</b>	<b>Label</b>							1	1	
43	89-1113-060552	Hexagonal Bolt (8T) M6*55	1	1	1	1	1	1	1	1	

Fig. 1 HANDLE



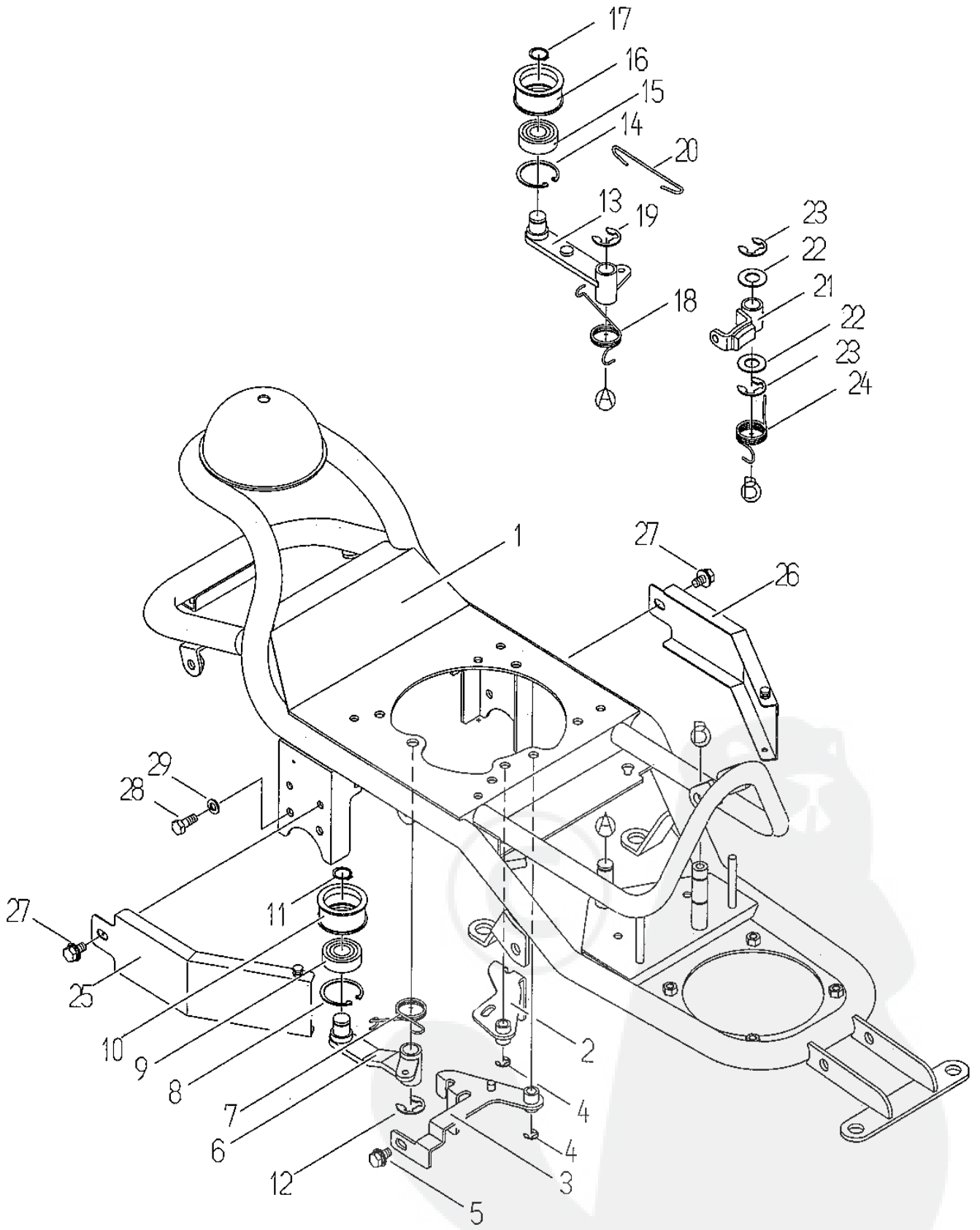
**FIG. 1 Handle**

Ref.	Parts No.	Parts Name	Quantity								Remarks
			SH								
			61			61H			71	71H	
			FC	GXV	GXV	FC	GXV	GXV	GXV	GXV	
180V	160	340	180V	160	340	340	340				
44	80-1417-252-00	Blade tension lever	1	1	1	1	1	1	1	1	
	<b>0231-25200</b>	<b>Blade tension lever</b>	<b>1</b>	<b>1</b>	<b>1</b>	<b>1</b>	<b>1</b>	<b>1</b>	<b>1</b>	<b>1</b>	<b>*1)</b>
45	80-1417-255-00	Lever Grip(Red) 10	1	1	1	1	1	1	1	1	
46	89-2521-000100	E Type Ring 10	1	1	1	1	1	1	1	1	
47	80-1417-972-00	Stopper return spring	1	1	1	1	1	1	1	1	
48	80-1417-253-00	Stopper	1	1	1	1	1	1	1	1	
49	89-2521-000050	E Type Ring 5	1	1	1	1	1	1	1	1	
50	80-1417-971-00	Blade clutch return spring	1	1	1	1	1	1	1	1	
51	80-1417-254-00	Upper cover	1	1	1	1	1	1	1	1	
52	89-1137-060122	Hexagonal Bolt (PW) M6*12	1	1	1	1	1	1	1	1	
53	0215-83200	Label, Protection Equipment	1	1	1	1	1	1	1	1	
54	0223-72910	Attention Mark for Slope	1	1	1	1	1	1	1	1	

**\*1)Interchangeable**



Fig. 2 FRAME

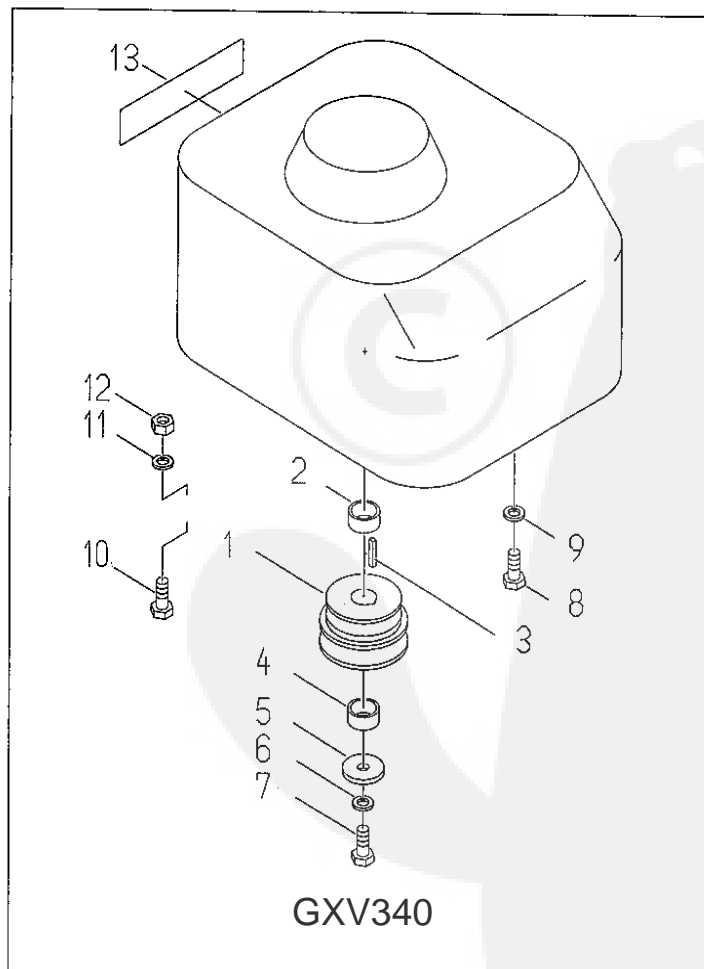
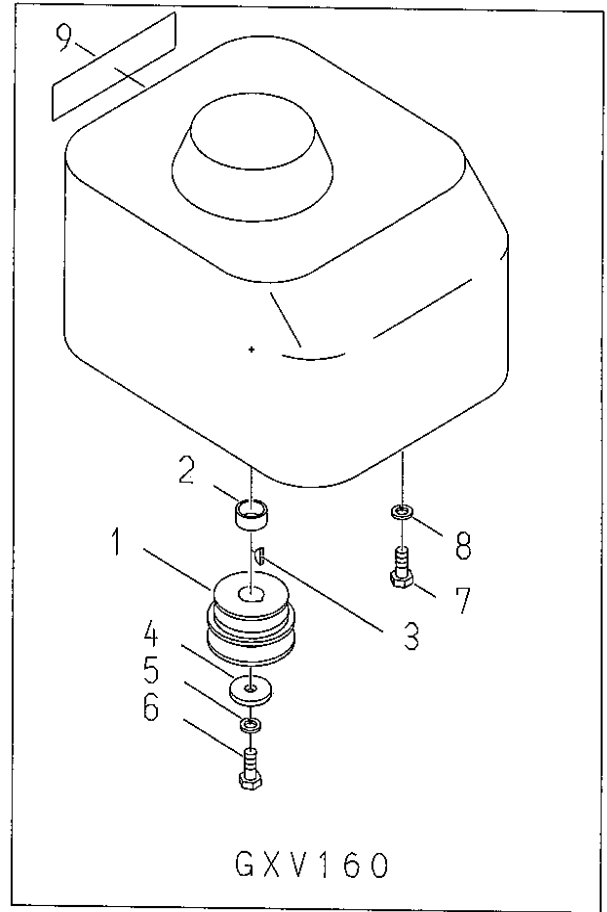
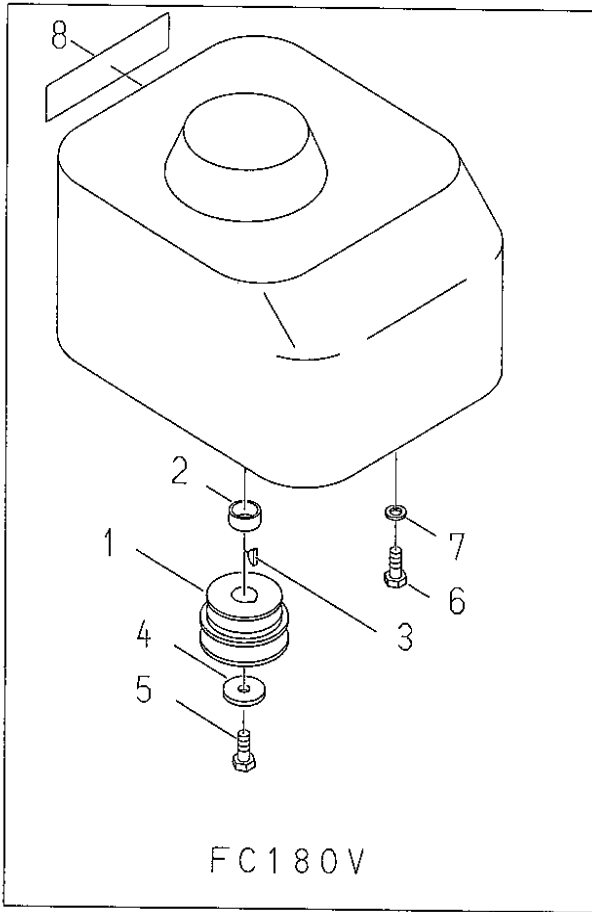


**FIG. 2 Frame**

Ref.	Parts No.	Parts Name	Quantity							Remarks	
			SH								
			61			61H			71		71H
			FC	GXV	GXV	FC	GXV	GXV	GXV		GXV
180V	160	340	180V	160	340	340	340				
1	<b>0257-20100</b>	<b>Frame CMP</b>	1	1	1	1	1	1	1	1	
2	<b>0257-41300</b>	<b>Engine Belt Stopper A</b>	1	1	1				1		
	<b>0257-40300</b>	<b>Engine Belt Stopper A</b>				1	1	1		1	
3	<b>0257-41500</b>	<b>Engine Belt Stopper B</b>	1	1	1				1		
	<b>0257-40500</b>	<b>Engine Belt Stopper B</b>				1	1	1		1	
4	89-2521-000080	E-Type Ring 8	2	2	2	2	2	2	2	2	
5	89-1133-080162	Hexagonal Bolt (PWSW) M8*16	1	1	1	1	1	1	1	1	
6	80-1417-542-00	Tension Arm	1	1	1	1	1	1	1	1	
	<b>0231-54200</b>	<b>Tension Arm</b>	1	1	1	1	1	1	1	1	*1)
7	80-1417-552-00	Return Spring	1	1	1	1	1	1	1	1	
8	89-2512-000400	Snap Ring 40	1	1	1	1	1	1	1	1	
9	89-3115-062034	Bearing 6203 2RS	1	1	1	1	1	1	1	1	
10	83-1032-765-00	Tension Pulley	1	1	1	1	1	1	1	1	
11	89-2511-000170	Snap Ring 17	1	1	1	1	1	1	1	1	
12	89-2521-000150	E-Type Ring 15	1	1	1	1	1	1	1	1	
13	80-1417-546-20	Knife Tension Arm	1	1	1	1	1	1	1	1	
	<b>0231-54600</b>	<b>Knife Tension Arm</b>	1	1	1	1	1	1	1	1	*1)
14	89-2512-000400	Snap Ring 40	1	1	1	1	1	1	1	1	
15	89-3115-062034	Bearing 6203 2RS	1	1	1	1	1	1	1	1	
16	83-1032-765-00	Tension Pulley	1	1	1	1	1	1	1	1	
17	89-2511-000170	Snap Ring 17	1	1	1	1	1	1	1	1	
18	80-1417-568-10	Return Spring	1	1	1	1	1	1	1	1	
19	89-2521-000150	E-Type Ring 15	1	1	1	1	1	1	1	1	
20	<b>0257-41100</b>	<b>Brake Rod</b>	1	1	1	1	1	1	1	1	
21	80-1417-371-00	Knife Brake	1	1	1	1	1	1	1	1	
	<b>0231-37100</b>	<b>Knife Brake</b>	1	1	1	1	1	1	1	1	*1)
22	83-1020-363-00	Thrust Washer 16*24*1	2	2	2	2	2	2	2	2	
23	89-2521-000150	E-Type Ring 15	2	2	2	2	2	2	2	2	
24	80-1417-373-00	Return Spring	1	1	1	1	1	1	1	1	
25	<b>0257-60100</b>	<b>Engine Pulley Cover (Right)</b>	1	1	1	1	1	1	1	1	
26	<b>0257-60300</b>	<b>Engine Pulley Cover (Left)</b>	1	1	1	1	1	1	1	1	
27	89-1133-080162	Hexagonal Bolt (PWSW) M8*16	2	2	2	2	2	2	2	2	
28	89-1113-080162	Hexagonal Bolt (8T) M8*16	4	4	4	4	4	4	4	4	
29	89-1750-080002	Spring Washer 8	4	4	4	4	4	4	4	4	

\*1)Interchangeable

Fig. 3 ENGINE PARTS





**FIG. 3 Engine Parts (KAWASAKI FC180V)**

Ref.	Parts No.	Parts Name	Quantity						Remarks		
			SH								
			61			61H				71	71H
			FC	GXV	GXV	FC	GXV	GXV		GXV	GXV
180V	160	340	180V	160	340	340	340				
1	80-1417-514-20	Engine Pulley	1								
	<b>0257-40100</b>	<b>Engine Pulley</b>				<b>1</b>					
2	80-1417-516-10	Pulley Collar (L12.5)	1			1					
3	89-2160-040160	Key 4*16	1			1					
4	83-1610-321-00	Washer 10*36*4.5	1			1					
5	83-1020-118-00	Hexagonal Bolt 3/8-24*32UNF	1			1					
6	89-1113-100252	Hexagonal Bolt (8T) M10*25	4			4					
7	89-1750-100002	Spring Washer 10	4			4					
8	Engine Parts	Sticker for Engine	1			1					

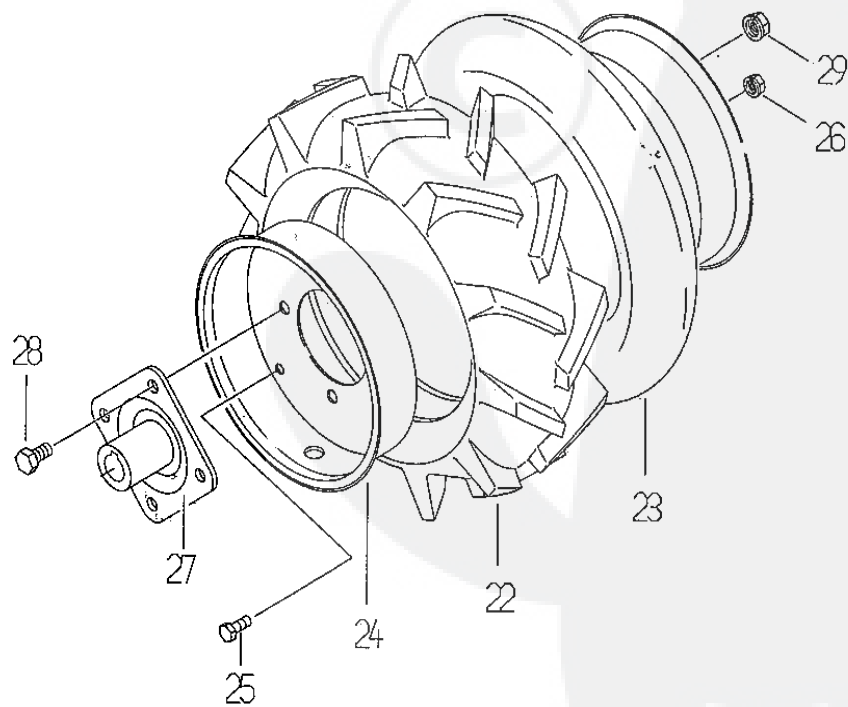
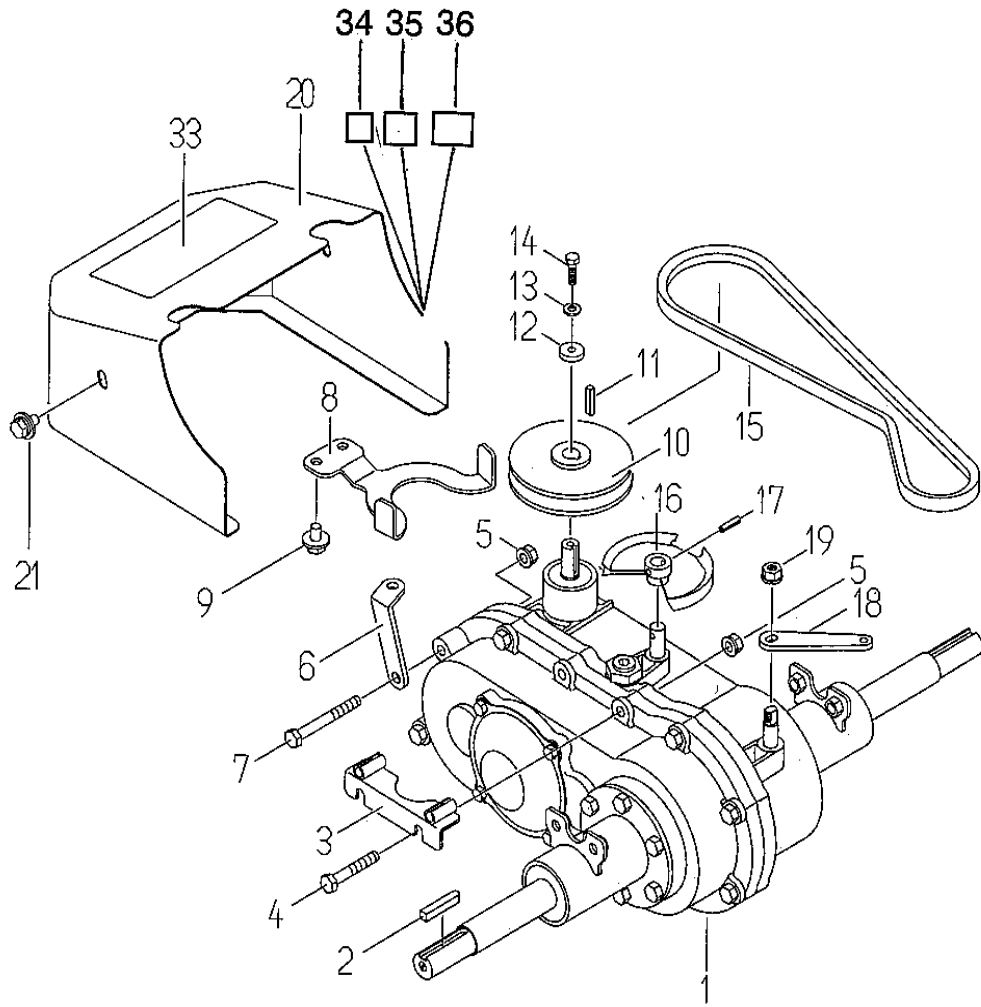
**FIG. 3 Engine Parts (HONDA GXV160)**

Ref.	Parts No.	Parts Name	Quantity						Remarks		
			SH								
			61			61H				71	71H
			FC	GXV	GXV	FC	GXV	GXV		GXV	GXV
180V	160	340	180V	160	340	340	340				
1	80-1417-515-10	Engine Pulley		1							
	<b>0257-40200</b>	<b>Engine Pulley</b>				<b>1</b>					
2	80-1417-517-10	Pulley Collar (L15.5)		1		1					
3	89-2160-040160	Key 4*16		1		1					
4	83-1610-321-00	Washer 10*36*4.5		1		1					
5	89-1750-100002	Spring Washer 10		1		1					
6	89-1113-100352	Hexagonal Bolt (8T) M10*35		1		1					
7	83-1482-116-00	Hexagonal Bolt UNF5/16-24*25		4		4					
8	89-1750-080002	Spring Washer 8		4		4					
9	0214-72100	Sticker for Engine		1		1					

**FIG. 3 Engine Parts (HONDA GXV340)**

Ref.	Parts No.	Parts Name	Quantity						Remarks		
			SH								
			61			61H				71	71H
			FC	GXV	GXV	FC	GXV	GXV		GXV	GXV
180V	160	340	180V	160	340	340	340				
1	80-1437-514-10	Engine Pulley			1			1			
	<b>0258-40100</b>	<b>Engine Pulley</b>					<b>1</b>		<b>1</b>		
2	80-1437-516-10	Pulley Collar (L23)			1		1	1	1		
3	83-1437-205-00	Key 1/4"*40			1		1	1	1		
4	80-1330-515-00	Pulley Collar (L13)			1		1	1	1		
5	83-1482-319-00	Washer 11*36*4.5			1		1	1	1		
6	89-1750-120002	Spring Washer 12			1		1	1	1		
7	83-1437-115-00	Hexagonal Bolt (8T) UNF7/16*35			1		1	1	1		
8	83-1482-116-00	Hexagonal Bolt UNF5/16-24*25			2		2	2	2		
9	89-1750-080002	Spring Washer 8			2		2	2	2		
10	89-1113-080402	Hexagonal Bolt (8T) M8*40			2		2	2	2		
11	89-1750-080002	Spring Washer 8			2		2	2	2		
12	89-1511-080042	Hexagonal Nut M8			2		2	2	2		
13	0214-72100	Sticker for Engine			1		1	1	1		

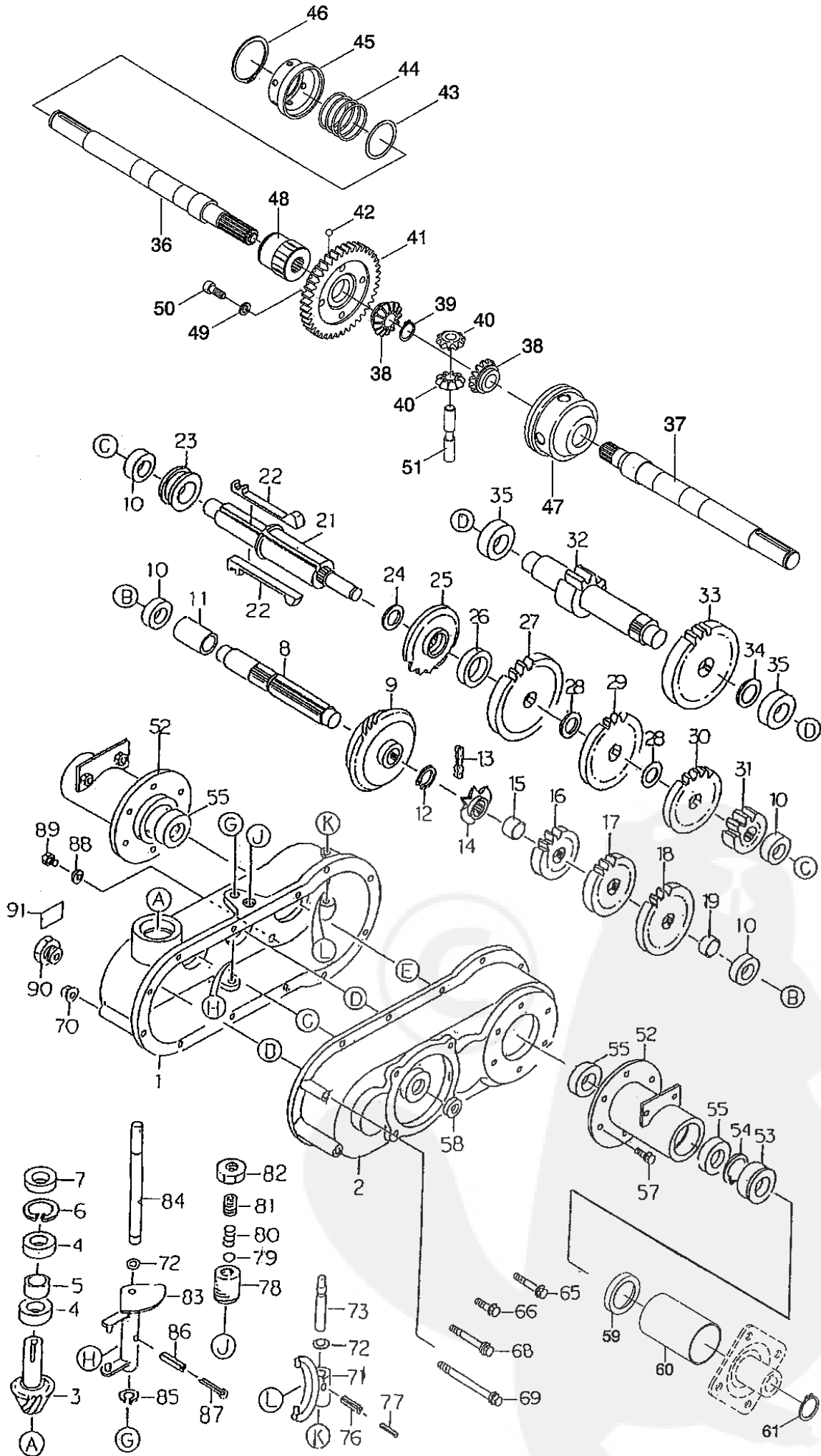
Fig. 4 TRANSMISSION OUTSIDE & REAR WHEEL



**FIG. 4 Transmission Outside & Rear Wheel**

Ref.	Parts No.	Parts Name	Quantity								Remarks
			SH								
			61			61H			71	71H	
			FC	GXV	GXV	FC	GXV	GXV	GXV	GXV	
180V	160	340	180V	160	340	340	340				
1	80-1417-100-20	Transmission Case ASSY	1	1	1	1	1	1	1	1	
2	89-2150-070500	Key 7*50	2	2	2	2	2	2	2	2	
3	80-1417-195-00	Receiver for Change Wire	1	1	1	1	1	1	1	1	
4	89-1251-080502	Bolt M8*50	8	8	8	8	8	8	8	8	
5	89-1555-080002	U-Type Nut M8	12	12	12	12	12	12	12	12	
6	80-1417-198-00	Transmission Arm	1	1	1	1	1	1	1	1	
7	89-1251-080702	Bolt M8*70	1	1	1	1	1	1	1	1	
8	80-1417-527-10	Driving Belt Stopper	1	1	1	1	1	1	1	1	
9	89-1133-080162	Hexagonal Bolt (PWSW) M8*16	3	3	3	3	3	3	3	3	
10	80-1417-521-10	Transmission Pulley	1	1	1	1	1	1	1	1	
11	89-2151-050250	Key 5*25	1	1	1	1	1	1	1	1	
12	83-1482-311-00	Washer 6*22*3.2	1	1	1	1	1	1	1	1	
13	89-1750-060002	Spring Washer 6	1	1	1	1	1	1	1	1	
14	89-1113-060202	Hexagonal Bolt (8T) 6*20	1	1	1	1	1	1	1	1	
15	<b>89-6122-003601</b>	<b>V Belt SA-36</b>	<b>1</b>	<b>1</b>	<b>1</b>	<b>1</b>	<b>1</b>	<b>1</b>	<b>1</b>	<b>1</b>	
16	80-1417-191-00	Wire Guard A	1	1	1	1	1	1	1	1	
17	89-2111-050020	Spring Pin 5x20	1	1	1	1	1	1	1	1	
18	80-1417-153-00	Differential Lock Arm	1	1	1	1	1	1	1	1	
19	89-1541-080002	Hexagonal Nut (SW) M8	1	1	1	1	1	1	1	1	
20	80-1417-504-10	Transmission Pulley Cover	1	1	1	1	1	1	1	1	
21	89-1133-080162	Hexagonal Bolt (PWSW) M8*16	2	2	2	2	2	2	2	2	
22	80-1711-401-00	Tire (400-7)	2	2	2	2	2	2	2	2	
23	80-1711-404-00	Tube (400-7)	2	2	2	2	2	2	2	2	
24	80-1711-407-00	Wheel Assy (400-7)	2	2	2	2	2	2	2	2	
25	89-1111-080202	Hexagonal Bolt M8*20	8	8	8	8	8	8	8	8	
26	89-1541-080002	Hexagonal Nut (SW) M8	8	8	8	8	8	8	8	8	
27	80-1565-413-10	Wheel Boss	2	2	2	2	2	2			
	80-1437-413-10	Wheel Boss							2	2	
28	89-1111-100202	Hexagonal Bolt M10*20	8	8	8	8	8	8	8	8	
29	89-1541-100002	Hexagonal Nut (SW) M10	8	8	8	8	8	8	8	8	
33	0223-76100	Label, Caution (large)	1	1	1	1	1	1	1	1	
34	80-1010-933-00	Label, CE	1	1	1	1	1	1	1	1	Not for Sale
35	80-1020-932-00	Label, Noise 100db	1	1	1	1	1	1	1	1	Not for Sale
36		Serial Number	1	1	1	1	1	1	1	1	Not for Sale

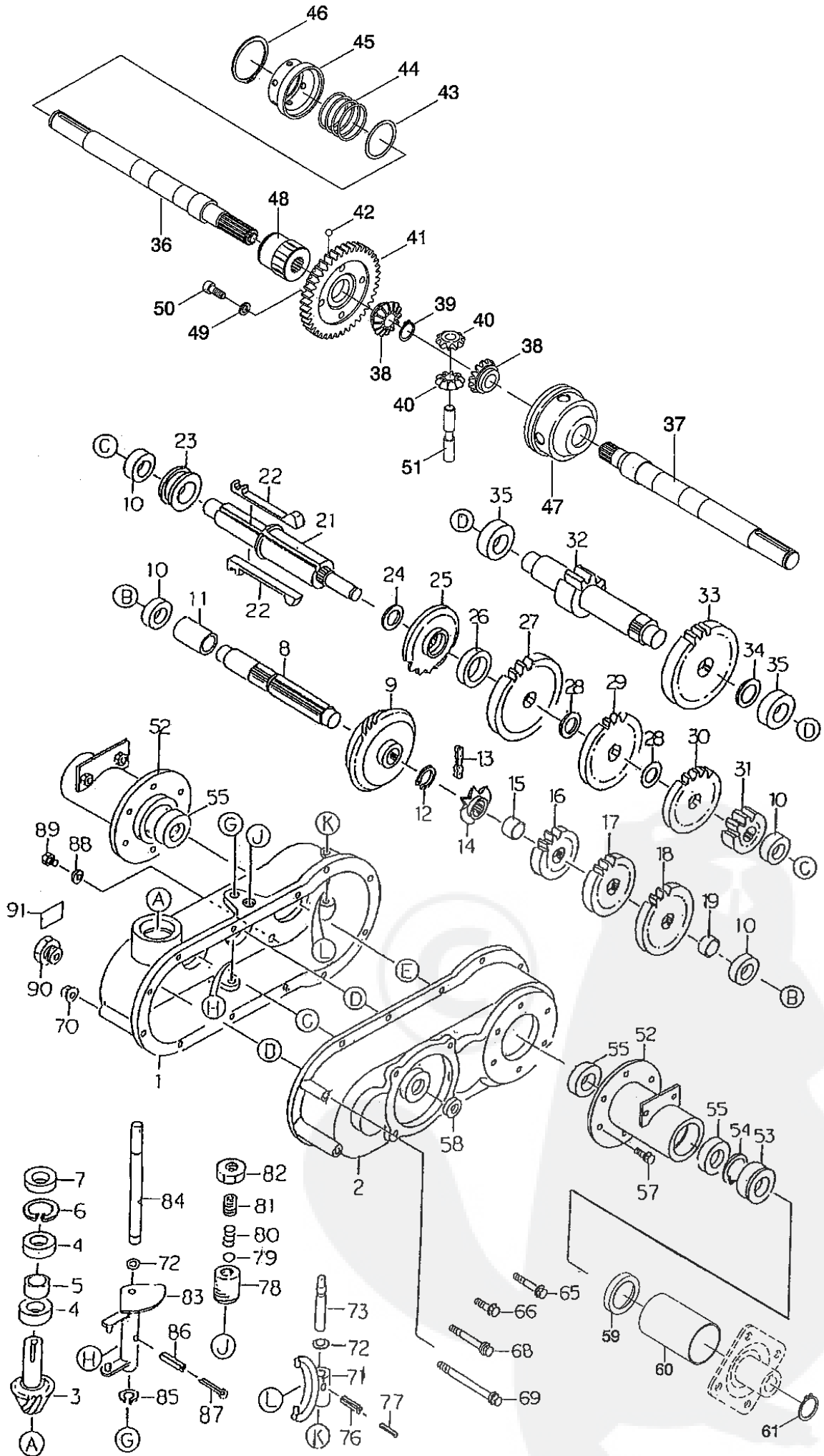
Fig. 5 TRANSMISSION



**FIG. 5 Transmission**

Ref.	Parts No.	Parts Name	Quantity							Remarks	
			SH								
			61			61H			71		71H
			FC	GXV	GXV	FC	GXV	GXV	GXV		GXV
180V	160	340	180V	160	340	340	340				
1	80-1482-101-00	Transmission Case (Left)	1	1	1	1	1	1	1	1	
2	80-1482-103-00	Transmission Case (Right)	1	1	1	1	1	1	1	1	
3	80-1481-118-00	A Axle 15T	1	1	1	1	1	1	1	1	
4	89-3115-062024	Bearing 6202 2RS	2	2	2	2	2	2	2	2	
5	80-1482-119-00	A Axle Collar 9	1	1	1	1	1	1	1	1	
6	89-2512-000350	Snap Ring 35	1	1	1	1	1	1	1	1	
7	89-5121-153507	Oil Seal AD.15.35.7	1	1	1	1	1	1	1	1	
8	80-1482-122-00	B Axle	1	1	1	1	1	1	1	1	
9	80-1482-127-00	Bevel Gear 45T	1	1	1	1	1	1	1	1	
10	89-3111-062024	Bearing 6202	4	4	4	4	4	4	4	4	
11	80-1482-131-00	Collar 18*22*34	1	1	1	1	1	1	1	1	
12	89-2511-000170	Snap Ring 17	1	1	1	1	1	1	1	1	
13	89-6513-420024	Chain 420-24L	1	1	1	1	1	1	1	1	
14	80-1482-128-00	B Axle Sprocket 8T	1	1	1	1	1	1	1	1	
15	80-1417-129-00	Collar 18*22*16.5	1	1	1	1	1	1	1	1	
16	80-1417-123-00	B Axle Gear 20T	1	1	1	1	1	1	1	1	
17	80-1417-124-00	B Axle Gear 26T	1	1	1	1	1	1	1	1	
18	80-1481-125-00	B Axle Gear 33T	1	1	1	1	1	1	1	1	
19	80-1482-130-00	Collar 18*22*11	1	1	1	1	1	1	1	1	
21	80-1482-132-00	C Axle	1	1	1	1	1	1	1	1	
22	80-1482-113-00	Shift Key	2	2	2	2	2	2	2	2	
23	80-1481-111-00	Shift Key Holder	1	1	1	1	1	1	1	1	
24	80-1481-139-00	C Axle Washer 29*40*1.0	1	1	1	1	1	1	1	1	
25	80-1482-138-00	Sprocket 18T	1	1	1	1	1	1	1	1	
26	80-1417-136-00	C Axle Collar	1	1	1	1	1	1	1	1	
27	80-1417-137-00	C Axle Gear 45T	1	1	1	1	1	1	1	1	
28	80-1482-139-00	C Axle Thrust Washer	2	2	2	2	2	2	2	2	
29	80-1417-138-00	C Axle Gear 39T	1	1	1	1	1	1	1	1	
30	80-1417-135-00	C Axle Gear 33T	1	1	1	1	1	1	1	1	
31	80-1482-133-00	C Axle Gear 12T	1	1	1	1	1	1	1	1	
32	80-1417-142-00	D Axle	1	1	1	1	1	1	1	1	
33	80-1482-144-00	D Axle Gear 36T	1	1	1	1	1	1	1	1	
34	83-1830-368-00	Thrust Washer 18*26*1.0	1	1	1	1	1	1	1	1	
35	89-3111-062034	Bearing 6203	2	2	2	2	2	2	2	2	
36	80-1417-146-50	Axle(L)	1	1	1	1	1	1	1	1	
37	80-1417-147-60	Axle(R)	1	1	1	1	1	1	1	1	
38	80-1260-152-00	Differential Lock Gear	2	2	2	2	2	2	2	2	
39	89-2511-000200	Snap Ring 20	1	1	1	1	1	1	1	1	
40	80-1260-153-00	Pinion 10T Gear	2	2	2	2	2	2	2	2	
41	80-1417-148-00	Axle 40T Gear	1	1	1	1	1	1	1	1	
42	89-3410-075000	Steel Ball 7.5	3	3	3	3	3	3	3	3	
43	83-1830-382-00	Thrust Washer 40*48*1.0	1	1	1	1	1	1	1	1	
44	80-1417-162-00	Differential Lock SP	1	1	1	1	1	1	1	1	
45	80-1425-143-00	Differential Lock Corn	1	1	1	1	1	1	1	1	
46	89-2511-000400	Snap Ring 40	1	1	1	1	1	1	1	1	
47	80-1260-151-00	Differential Lock Case	1	1	1	1	1	1	1	1	
48	80-1417-143-10	Differential Lock Shaft	1	1	1	1	1	1	1	1	
49	89-1750-080002	Spring Washer 8	4	4	4	4	4	4	4	4	
50	83-1981-149-00	Hexagonal Bolt with Hole M8*20	4	4	4	4	4	4	4	4	
51	80-1260-155-10	Differential Pinion Shaft	1	1	1	1	1	1	1	1	
52	80-1417-156-10	Axle BB Case CMP	2	2	2	2	2	2	2	2	

Fig. 5 TRANSMISSION



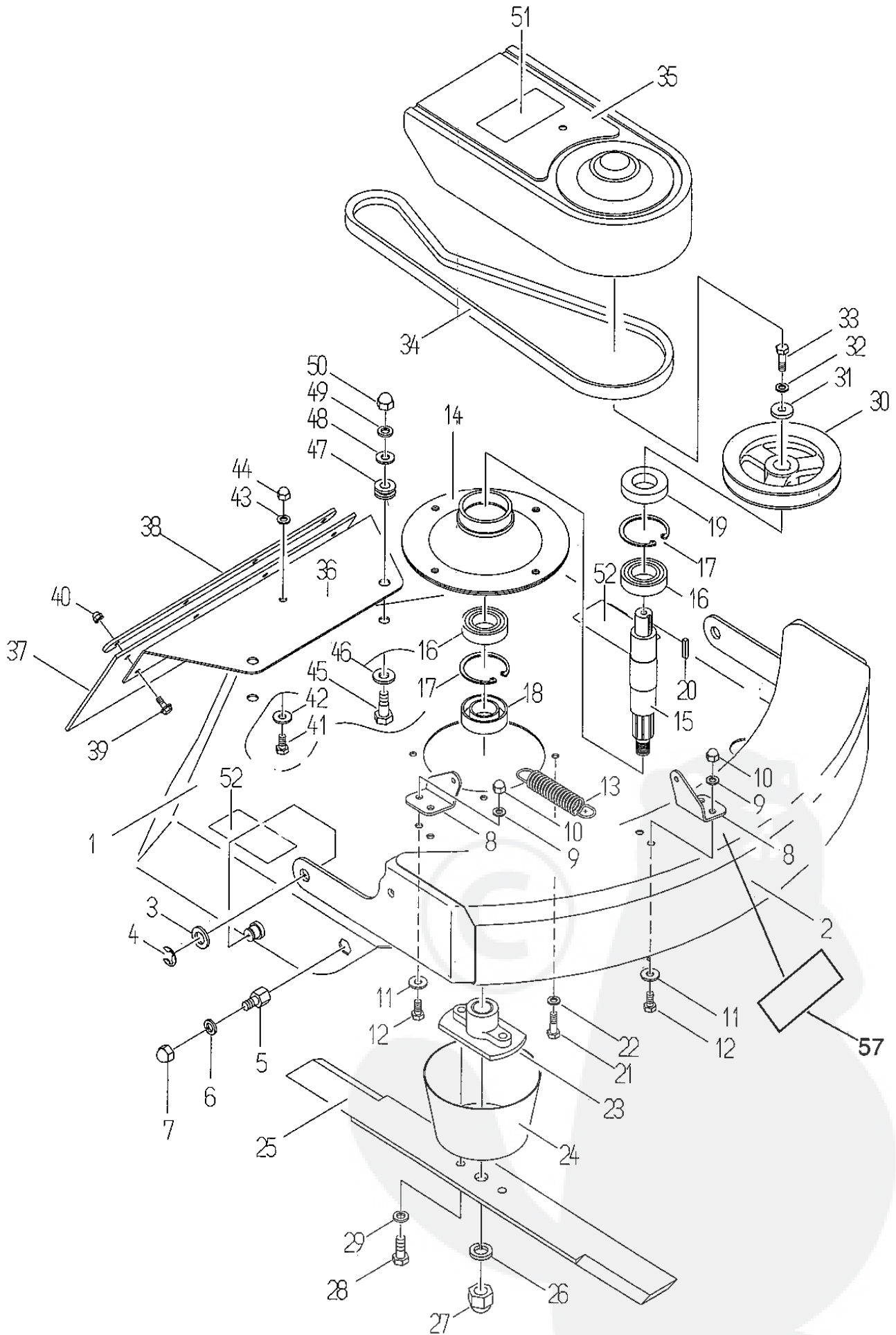


**FIG. 5 Transmission**

Ref.	Parts No.	Parts Name	Quantity								Remarks
			SH								
			61			61H			71	71H	
			FC	GXV	GXV	FC	GXV	GXV	GXV	GXV	
180V	160	340	180V	160	340	340	340				
53	83-1415-663-00	Oil Seal AP 30.47.7	2	2	2	2	2	2	2	2	
54	89-2512-000470	Snap Ring 47	2	2	2	2	2	2	2	2	
55	89-3111-060054	Bearing 6005	4	4	4	4	4	4	4	4	
57	83-1482-143-00	Hexagonal Tap Bolt M10*25	12	12	12	12	12	12	12	12	
58	89-5121-153007	Oil Seal UE 15.30.7	1	1	1	1	1	1	1	1	
59	80-1415-441-00	Dust Cover	2	2	2	2	2	2	2	2	
60	80-1417-411-00	Axle Cover Pipe	2	2	2	2	2	2			
	80-1437-411-00	Axle Cover Pipe							2	2	
61	89-2511-000220	Snap Ring 22	2	2	2	2	2	2	2	2	
65	89-1251-080502	Washer Bolt M8*50	8	8	8	8	8	8	8	8	
66	89-1251-080402	Washer Bolt M8*40	1	1	1	1	1	1	1	1	
68	89-1251-080702	Washer Bolt M8*70	1	1	1	1	1	1	1	1	
69	89-1251-081402	Washer Bolt M8*140	2	2	2	2	2	2	2	2	
70	89-1555-080002	U Type Nut M8	12	12	12	12	12	12	12	12	
71	80-1830-113-00	Differential Lock Fork	1	1	1	1	1	1	1	1	
72	89-5221-009000	O Type Ring P9	2	2	2	2	2	2	2	2	
73	80-1481-116-00	Differential Lock Fork Axle	1	1	1	1	1	1	1	1	
76	89-2111-050020	Spring Pin 5*20	1	1	1	1	1	1	1	1	
77	89-2111-030020	Spring Pin 3*20	1	1	1	1	1	1	1	1	
78	80-1482-162-00	Screw for Adjusting Notch	1	1	1	1	1	1	1	1	
79	89-3410-080000	Steel Ball 8	1	1	1	1	1	1	1	1	
80	80-1481-160-00	Spring 1.0	1	1	1	1	1	1	1	1	
81	89-1172-100161	Screw M10*16	1	1	1	1	1	1	1	1	
82	89-1514-160042	Hexagonal Nut (3 sort) M16	1	1	1	1	1	1	1	1	
83	80-1482-108-00	Shift Fork	1	1	1	1	1	1	1	1	
84	80-1417-110-00	Shift Fork Axle	1	1	1	1	1	1	1	1	
85	89-2511-000120	Snap Ring 12	1	1	1	1	1	1	1	1	
86	89-2111-050020	Spring Pin 5*20	1	1	1	1	1	1	1	1	
87	89-2120-300252	Split Pin 3*25	1	1	1	1	1	1	1	1	
88	89-5230-100000	Seal Washer 10	1	1	1	1	1	1	1	1	
89	89-1111-100122	Hexagonal Bolt M10*12	1	1	1	1	1	1	1	1	
90	83-1032-689-00	Oil Gauge M28	1	1	1	1	1	1	1	1	
91	83-1712-923-00	Oil Mark 1.6	1	1	1	1	1	1	1	1	

\*1)Interchangeable

Fig. 6 KNIFE COVER

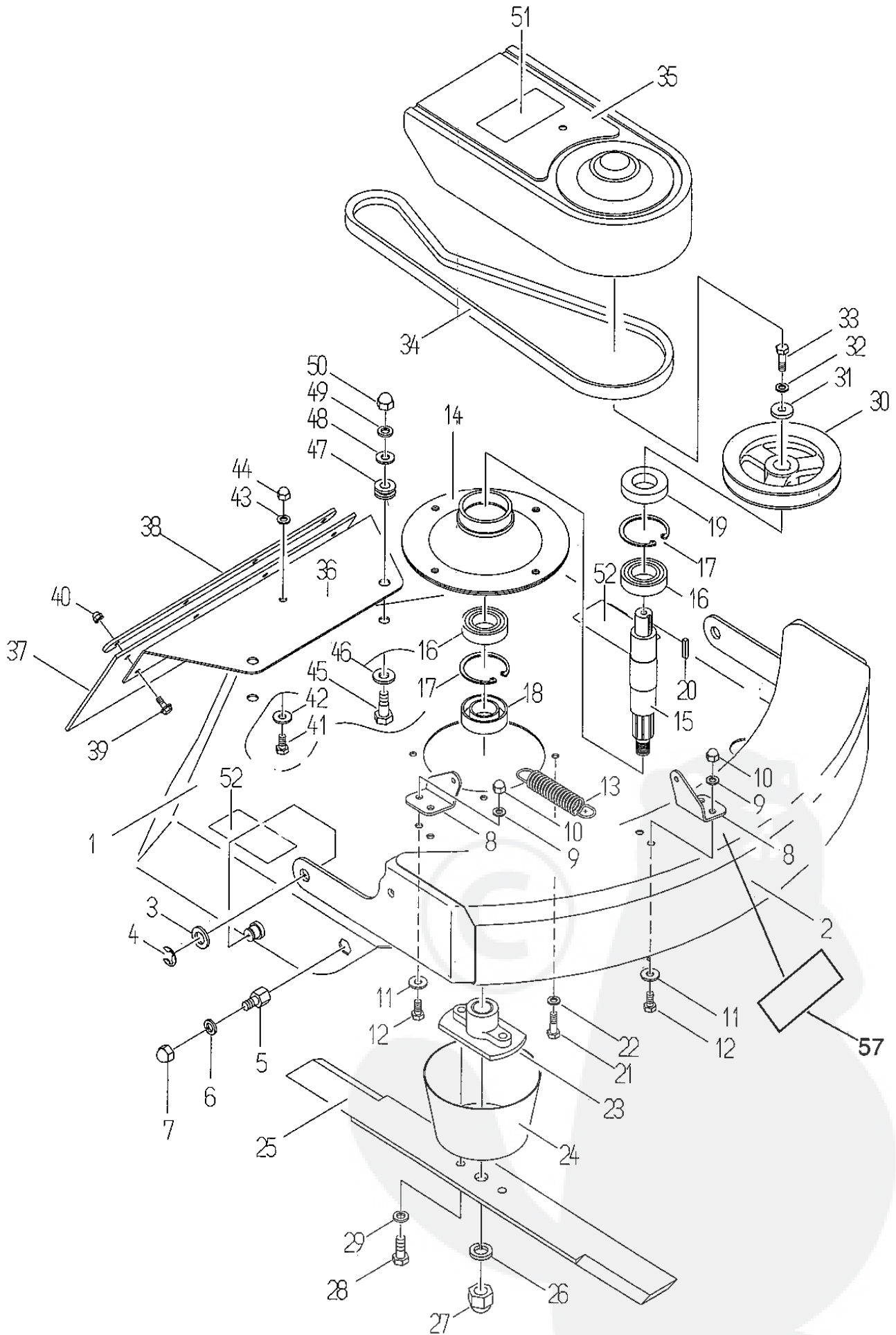




**FIG. 6 Knife Cover**

Ref.	Parts No.	Parts Name	Quantity							Remarks	
			SH								
			61			61H			71		71H
			FC	GXV	GXV	FC	GXV	GXV	GXV		GXV
180V	160	340	180V	160	340	340	340				
1	0231-73100	Knife Cover CMP	1	1	1	1	1	1			
	0232-73100	Knife Cover CMP							1	1	
2	80-1417-733-00	Front Guard CMP	1	1	1	1	1	1			
	80-1437-733-00	Front Guard CMP							1	1	
3	83-1630-342-00	Washer 16*26*2.3	2	2	2	2	2	2	2	2	
4	89-2521-000120	E Type Ring 12	2	2	2	2	2	2	2	2	
5	80-1417-736-00	Bolt for Fixing Front Guard	2	2	2	2	2	2	2	2	
6	89-1750-100002	Spring Washer 10	2	2	2	2	2	2	2	2	
7	89-1571-100042	Nut M10	2	2	2	2	2	2	2	2	
8	80-1020-705-30	Lock Arm Bracket A	2	2	2	2	2	2	2	2	
9	89-1750-080002	Spring Washer 8	4	4	4	4	4	4	4	4	
10	89-1571-080042	Nut M8	4	4	4	4	4	4	4	4	
11	89-1714-080002	Flat Washer 8	4	4	4	4	4	4	4	4	
12	89-1113-080162	Hexagonal Bolt (8T) M8*16	4	4	4	4	4	4	4	4	
13	80-1417-735-00	Spring	1	1	1	1	1	1	1	1	
14	80-1417-601-00	Knife BB Case	1	1	1	1	1	1	1	1	
15	0231-64100	Knife Axle	1	1	1	1	1	1	1	1	
16	89-3115-060064	Bearing 6006 2RS	2	2	2	2	2	2	2	2	
17	89-2512-000550	Snap Ring 55	2	2	2	2	2	2	2	2	
18	83-1415-662-00	Oil Seal AP 35.55.8	1	1	1	1	1	1	1	1	
19	89-5121-305512	Oil Seal UE 30.55.12	1	1	1	1	1	1	1	1	
20	89-2151-050250	Key 5x25	1	1	1	1	1	1	1	1	
21	89-1113-080252	Hexagonal Bolt (8T) M8*25	4	4	4	4	4	4	4	4	
22	89-1750-080002	Spring Washer 8	4	4	4	4	4	4	4	4	
23	80-1415-733-00	Knife Bracket	1	1	1	1	1	1	1	1	
24	80-1415-836-00	Knife Neck Guard	1	1	1	1	1	1	1	1	
25	80-1415-821-00	Bar Knife	1	1	1	1	1	1			
	80-1445-821-00	Bar Knife							1	1	
26	89-1750-160002	Spring Washer 16	1	1	1	1	1	1	1	1	
27	89-1572-160042	Nut M16	1	1	1	1	1	1	1	1	
28	89-1113-100252	Hexagonal Bolt (8T) M10*25	2	2	2	2	2	2	2	2	
29	89-1750-100002	Spring Washer 10	2	2	2	2	2	2	2	2	
30	80-1415-571-00	Knife Pulley	1	1	1	1	1	1	1	1	
31	80-1020-312-00	Washer 8*30*3.2	1	1	1	1	1	1	1	1	
32	89-1750-080002	Spring Washer 8	1	1	1	1	1	1	1	1	
33	89-1113-080252	Hexagonal Bolt (8T) M8*25	1	1	1	1	1	1	1	1	
<b>34</b>	<b>89-6123-004301</b>	<b>V Belt SB 43</b>	<b>1</b>	<b>1</b>	<b>1</b>				<b>1</b>		
	<b>89-6123-004501</b>	<b>V Belt SB 45</b>				<b>1</b>	<b>1</b>	<b>1</b>		<b>1</b>	
35	0257-60500	Knife Pulley Cover	1	1	1	1	1	1	1	1	
36	0231-75100	Rear Guard	1	1	1	1	1	1			
	0232-75100	Rear Guard							1	1	
37	80-1417-781-10	Rear Flapper	1	1	1	1	1	1			
	80-1437-781-10	Rear Flapper							1	1	
38	80-1417-785-10	Supporter for Flapper	1	1	1	1	1	1			
	80-1437-785-10	Supporter for Flapper							1	1	
39	89-1132-060162	Hexagonal Bolt (SW) M6*16	4	4	4	4	4	4	4	4	
40	83-1575-189-00	Nut M6	4	4	4	4	4	4	4	4	
41	89-1113-080162	Hexagonal Bolt (8T) M8*16	1	1	1	1	1	1	1	1	
42	89-1714-080002	Flat Washer 8	1	1	1	1	1	1	1	1	
43	89-1750-080002	Spring Washer 8	1	1	1	1	1	1	1	1	
44	89-1571-080042	Nut M8	1	1	1	1	1	1	1	1	

Fig. 6 KNIFE COVER



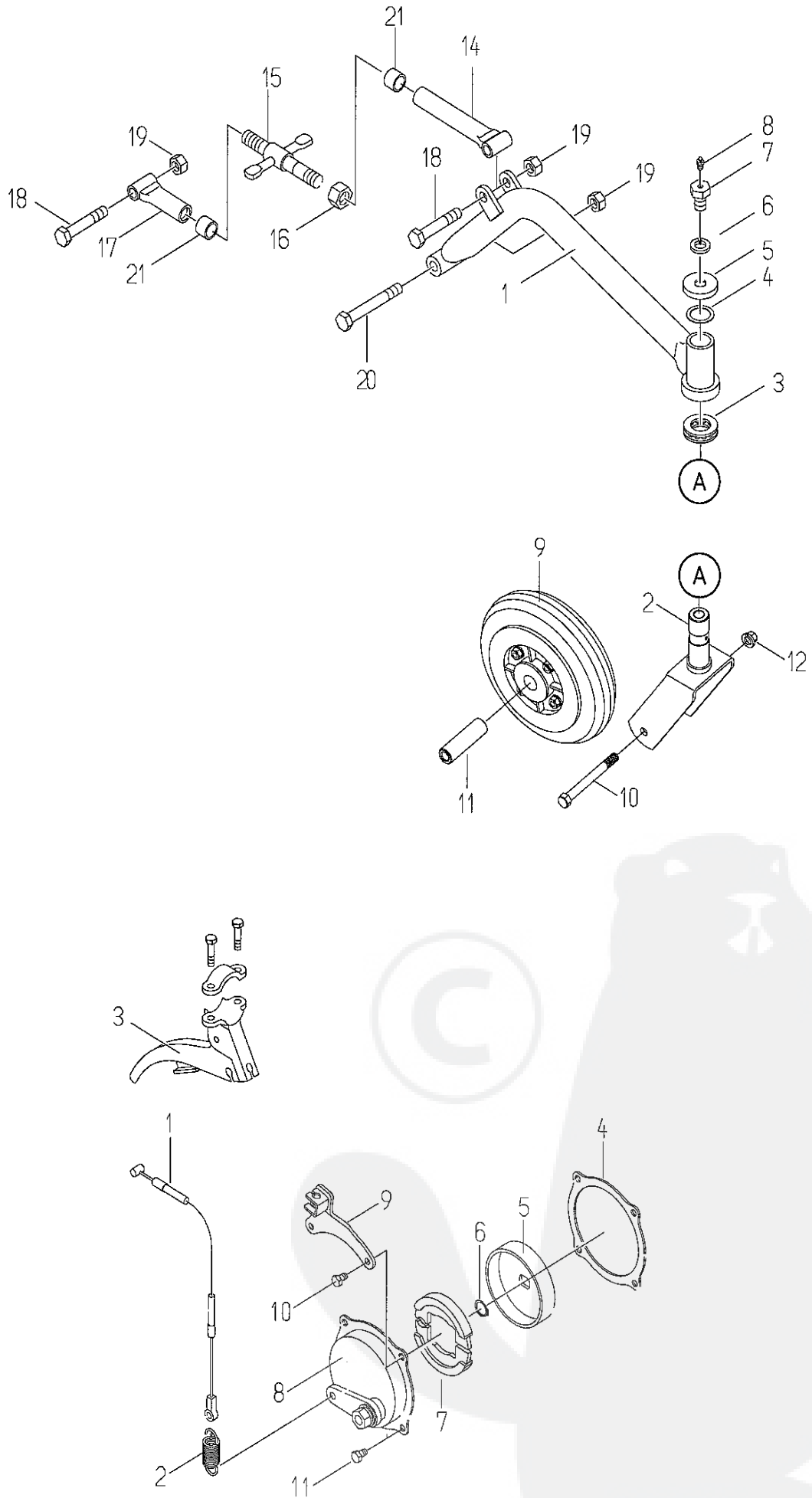
**FIG. 6 Knife Cover**

Ref.	Parts No.	Parts Name	Quantity								Remarks
			SH								
			61			61H			71	71H	
			FC	GXV	GXV	FC	GXV	GXV	GXV	GXV	
180V	160	340	180V	160	340	340	340				
45	80-1450-709-00	Bolt for Attaching Stay	4	4	4	4	4	4	4	4	
46	89-1714-120002	Flat Washer 12	4	4	4	4	4	4	4	4	
47	80-1450-719-00	Grommet	4	4	4	4	4	4	4	4	
48	89-1714-100002	Flat Washer 10	4	4	4	4	4	4	4	4	
49	89-1750-100002	Spring Washer 10	4	4	4	4	4	4	4	4	
50	89-1571-100042	Nut M10	4	4	4	4	4	4	4	4	
51	80-1488-928-10	Label, Caution for Belt Involving	1	1	1	1	1	1	1	1	
52	80-1488-926-10	Attention Mark for Blade	2	2	2	2	2	2	2	2	
57	0203-71100	Label, Main (Shuttle Mower)	1	1	1	1	1	1	1	1	

**\*1)Interchangeable**



Fig. 7 FRONT WHEEL & BRAKE SET



**FIG. 7 Front Wheel**

Ref.	Parts No.	Parts Name	Quantity							Remarks	
			SH								
			61			61H			71		71H
			FC	GXV	GXV	FC	GXV	GXV	GXV		GXV
180V	160	340	180V	160	340	340	340				
1	80-1417-723-00	Front Wheel Arm	1	1	1	1	1	1			
	80-1437-723-00	Front Wheel Arm						1	1		
2	80-1614-725-20	Front Wheel Fork	1	1	1	1	1	1	1	1	
3	89-3370-051105	Thrust Bearing 51105	1	1	1	1	1	1	1	1	
4	83-1783-376-00	Washer 25*34*1.0	1	1	1	1	1	1	1	1	
5	84-1783-729-00	Dust Cover	1	1	1	1	1	1	1	1	
6	89-1750-140002	Spring Washer 14	1	1	1	1	1	1	1	1	
7	84-1783-791-00	Nipple Bolt	1	1	1	1	1	1	1	1	
8	83-1415-975-00	Grease Nipple M6	1	1	1	1	1	1	1	1	
9	80-1614-727-00	Front Wheel	1	1	1	1	1	1	1	1	
10	89-1211-100952	Mini Hexagonal Bolt M10*95	1	1	1	1	1	1	1	1	
11	80-1614-726-00	Front Wheel Collar	1	1	1	1	1	1	1	1	
12	89-1543-100002	Mini Hexagonal Nut(SW) M10	1	1	1	1	1	1	1	1	
14	80-1417-742-00	Receiver for Adjusting Bolt (R)	1	1	1	1	1	1	1	1	
	<b>0231-74200</b>	<b>Receiver for Adjusting Bolt (R)</b>	<b>1</b>	<b>1</b>	<b>1</b>	<b>1</b>	<b>1</b>	<b>1</b>	<b>1</b>	<b>1 *1)</b>	
15	80-1415-743-00	Cutting Height Adjustment Bolt	1	1	1	1	1	1	1	1	
16	89-1511-160042	Hexagonal Nut M16	1	1	1	1	1	1	1	1	
17	80-1415-741-00	Receiver for Adjusting Bolt (L)	1	1	1	1	1	1	1	1	
	<b>0212-74100</b>	<b>Receiver for Adjusting Bolt (L)</b>	<b>1</b>	<b>1</b>	<b>1</b>	<b>1</b>	<b>1</b>	<b>1</b>	<b>1</b>	<b>1 *1)</b>	
18	89-1111-120602	Hexagonal Bolt M12*60	2	2	2	2	2	2	2	2	
19	89-1551-120002	U-Type Nut M12	3	3	3	3	3	3	3	3	
20	89-1111-120852	Hexagonal Bolt M12*85	1	1	1	1	1	1	1	1	
21	0231-74300	Cutting Height Adjustment Collar	2	2	2	2	2	2	2	2	

**FIG. 7 Brake Set**

Ref.	Parts No.	Parts Name	Quantity							Remarks	
			SH								
			61			61H			71		71H
			FC	GXV	GXV	FC	GXV	GXV	GXV		GXV
180V	160	340	180V	160	340	340	340				
1	83-1417-938-10	Parking Brake Wire	1	1	1	1	1	1	1	1	
2	80-1614-315-00	Spring	1	1	1	1	1	1	1	1	
3	83-1182-455-00	Lever 2301	1	1	1	1	1	1	1	1	
4	80-1030-288-00	Packing (Large)	1	1	1	1	1	1	1	1	
	<b>0207-04100</b>	<b>Packing (Large)</b>	<b>1</b>	<b>1</b>	<b>1</b>	<b>1</b>	<b>1</b>	<b>1</b>	<b>1</b>	<b>1 *1)</b>	
5	80-1030-282-00	Brake Durm	1	1	1	1	1	1	1	1	
6	89-2511-000150	Snap Ring (S15)	1	1	1	1	1	1	1	1	
7	80-1030-284-00	Brake Shoe	1	1	1	1	1	1	1	1	
8	80-1030-271-00	Brake Cap Assy	1	1	1	1	1	1	1	1	
4~8	80-1575-280-00	Brake Assy									
9	85-1417-291-10	Receiver for Brake Wire	1	1	1	1	1	1	1	1	
10	83-1035-148-00	Tap Tight M6*18	2	2	2	2	2	2	2	2	
11	83-1020-148-00	Tap Tight M6*14	2	2	2	2	2	2	2	2	