

# MORRISON®

## Outdoor Power Equipment

### EDGER - OPC

Part Number 550914

Market Introduction - 2012

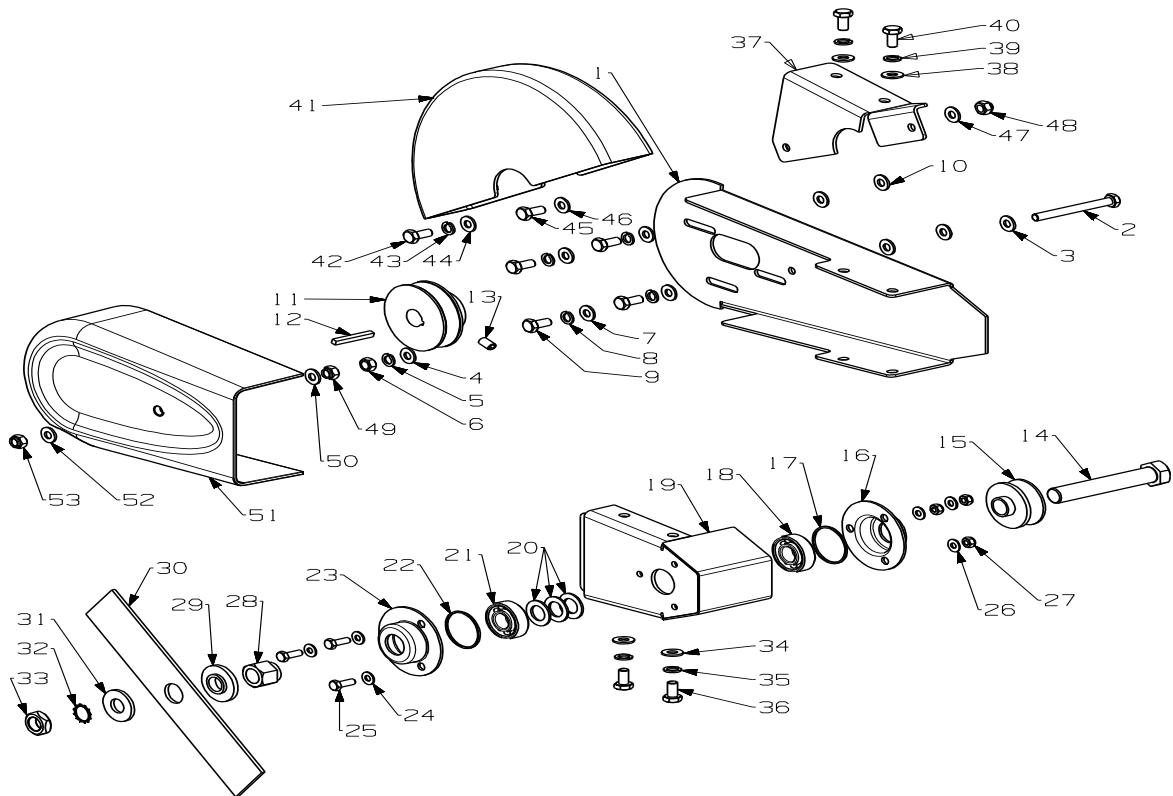




Petrol Edger - OPC  
Powered by: B&S 550 HRZ

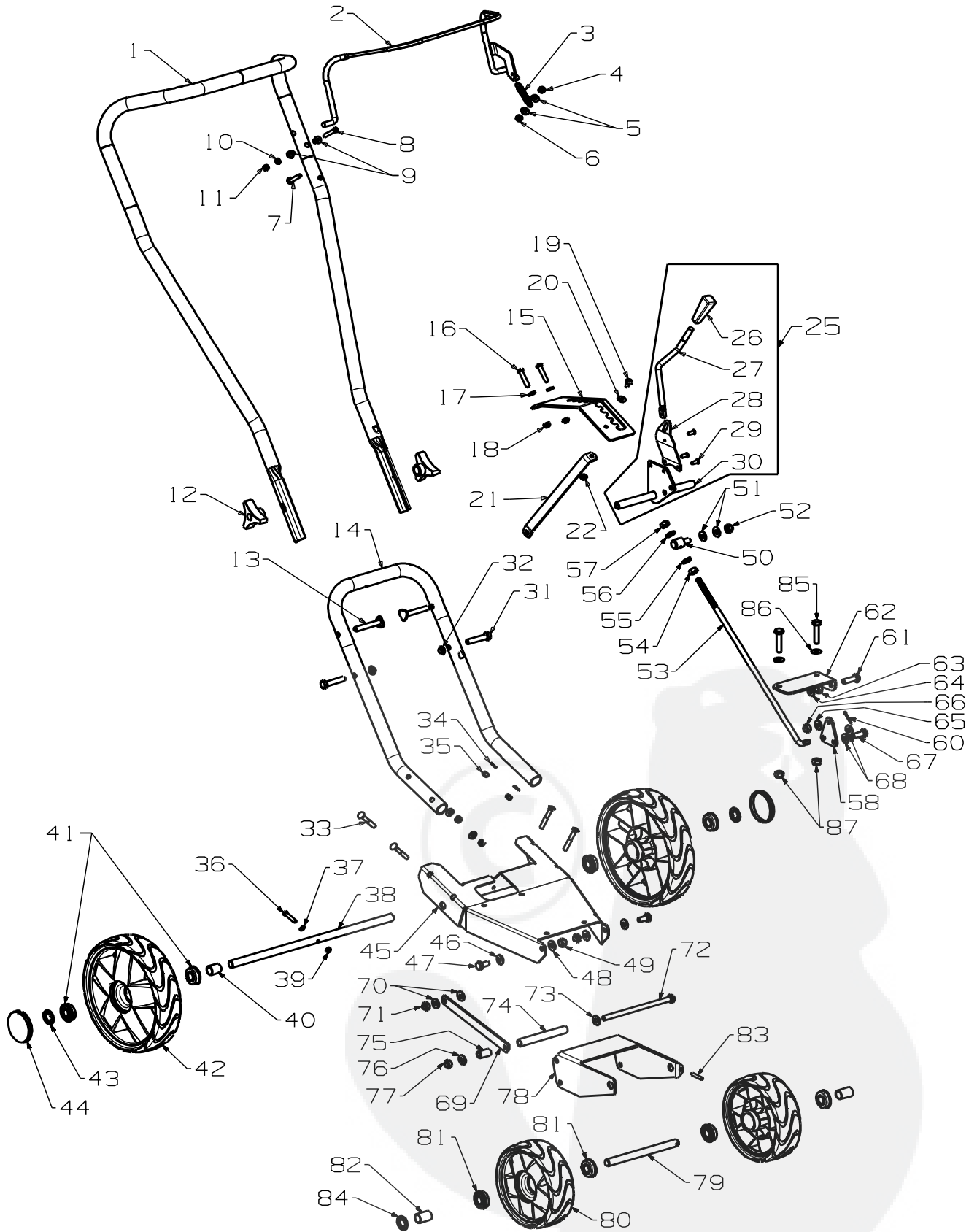
# MORRISON®

Issue A.1  
Oct 2012PB  
Ref # 750914S



Item No	Part No	Description	Qty	Item No	Part No	Description	Qty
1	950477	Baseplate-Cutter Hd,Edger Red	1	29	550444	Washer-Blade, Edger ZP	1
2	502119	Screw,Set M 8X 75 Hex Zp	1	30	550442	Blade-Bar, 240mm Edger	1
3	501744	Washer,Flt 8 X 17 X1.6 ZP	1	31	502120	Washer,Flt 16 X 35 X3.0 ZP	1
4	501744	Washer,Flt 8 X 17 X1.6 ZP	1	32	502121	Washer,Ext Tooth Grip 16ld	1
5	503747	Washer,Spg 8 ZP	1	33	550460	Nut, M16 X 1.5 Hex ZP	1
6	501602	Nut, M 8 Hex ZP	1	34	501744	Washer,Flt 8 X 17 X1.6 ZP	2
7	501744	Washer,Flt 8 X 17 X1.6 ZP	4	35	503747	Washer,Spg 8 ZP	2
8	503747	Washer,Spg 8 ZP	4	36	502106	Screw,Set M 8X 16 Hex ZP	2
9	501116	Screw,Set NF 5/16x.75 Hex ZP	4	37	950478	Bracket Assy-Guard Edger Red	1
10	501744	Washer,Flt 8 X 17 X1.6 ZP	4	38	501744	Washer,Flt 8 X 17 X1.6 ZP	2
11	536011	Pulley-Eng, 19Bx73Dx 34H Shrd	1	39	503747	Washer,Spg 8 ZP	2
12	536012	Key-Engine 3/16" Sq X 38 Shrd	1	40	501597	Screw,Set M 8X 20 Hex ZP	2
13	503970	Screw;Grb Unc 5/16 X .50	1	41	950479	Guard-Blade, Ali Edger Black	1
14	550441	Shaft-Cutter Edger ZP	1	42	502106	Screw,Set M 8X 16 Hex ZP	1
15	550447	Pulley-Cutter Shaft, Edger Blk	1	43	503747	Washer,Spg 8 ZP	1
16	002834	Housing-Bearing ZP	1	44	501744	Washer,Flt 8 X 17 X1.6 ZP	1
17	004292	Ring-Bearing Housing	1	45	501597	Screw,Set M 8X 20 Hex ZP	1
18	503273	Brg,Bal 17X40X12 6203 2S SKF	1	46	501744	Washer,Flt 8 X 17 X1.6 ZP	1
19	950473	Housing Assy-Cuter Hd Mnt Red	1	47	501744	Washer,Flt 8 X 17 X1.6 ZP	1
20	550428	Spacer-Bearing, Edger Zp	3	48	501793	Nut,M8 Hex Nylocx 8Thck ZP	1
21	503273	Brg,Bal 17X40X12 6203 2S SKF	1	49	501793	Nut,M8 Hex Nylocx 8Thck ZP	1
22	004292	Ring-Bearing Housing	1	50	501744	Washer,Flt 8 X 17 X1.6 ZP	1
23	002834	Housing-Bearing ZP	1	51	550461	Cover-Belt, Plastic Edger	1
24	501703	Washer,Flt 6 X 14 X1.2 ZP	3	52	501744	Washer,Flt 8 X 17 X1.6 ZP	1
25	501702	Screw,Set M 6X 16 Hex ZP	3	53	501793	Nut,M8 Hex Nylocx 8Thck ZP	1
26	501703	Washer,Flt 6 X 14 X1.2 ZP	3	<b>Not Illustrated</b>			
27	501764	Nut, M 6 Hex Nyloc X 6Thk ZP	3	550452	Belt-V Ax26 (Edger)	1	
28	550443	Nut-Cutter Shaft, Edger ZP	1				

When ordering PLEASE QUOTE PART NUMBER & Description, NOT Illustration No.  
Determine right or left hand side from standing in operating position (standing at handle)  
**Bold Text** = Assemblies, **Bulleted Text** \* = Items included in the Assemblies





Petrol Edger - OPC  
Powered by: B&S 550 HRZ

# MORRISON®

Issue A.1  
Oct 2012PB  
Ref # 750914S

Item No	Part No	Description	Qty	Item No	Part No	Description	Qty
1	950437	Handle-Upper, Edger Black	1	54	501602	Nut, M 8 Hex ZP	1
2	950434	Bail Arm Assy, OPC Edger Black	1	55	501744	Washer,Flt 8 X 17 X1.6 ZP	1
3	550453	Spring Retrtn-Bail Arm Edger ZP	1	56	501744	Washer,Flt 8 X 17 X1.6 ZP	1
4	501764	Nut, M 6 Hex Nyloc X 6Thk ZP	1	57	501602	Nut, M 8 Hex ZP	1
5	501703	Washer,Flt 6 X 14 X1.2 ZP	2	58	550424	Lever-Plate,Height Cont Lnk ZP	1
6	501682	Nut, M 6 Hex ZP	1	60	501056	Pin,Cotter 2.3Dx 16 ZP	1
7	502122	Screw,Set M 6X 35 Btn/Hd ZP	1	61	501598	Screw,Set M 8X 25 Hex ZP	1
8	502116	Screw,Set M 5X 35 Btn/Hd ZP	1	62	950476	Bracket-Lever Plate Mount Red	1
9	550440	Bush-Insulator Nylon	2	63	501602	Nut, M 8 Hex ZP	1
10	501330	Washer,Flt 5 X 10 X1.0 ZP	1	64	501744	Washer,Flt 8 X 17 X1.6 ZP	1
11	503511	Nut, M 5 Hex Nyloc ZP	1	65	501744	Washer,Flt 8 X 17 X1.6 ZP	1
12	574230	Knob-Plastic,M8Insert	2	66	501793	Nut,M8 Hex Nylocx 8Thck ZP	1
13	574218	Bolt ,Sph M 8X 53X35 Thrdd ZP	2	67	501597	Screw,Set M 8X 20 Hex ZP	1
14	950438	Handle-Lower, Edger Blk	1	68	501744	Washer,Flt 8 X 17 X1.6 ZP	2
15	550429	Quadrant-Hght Slect, Edger ZP	1	69	550423	Link-Fixed, Height Control ZP	1
16	502122	Screw,Set M 6X 35 Btn/Hd ZP	2	70	501744	Washer,Flt 8 X 17 X1.6 ZP	2
17	501703	Washer,Flt 6 X 14 X1.2 ZP	2	71	501793	Nut,M8 Hex Nylocx 8Thck ZP	1
18	501764	Nut, M 6 Hex Nyloc X 6Thk ZP	2	72	502114	Screw,Set M 8X140 Hex ZP	1
19	502123	Screw,Set M 6X 16 Btn/Hd ZP	1	73	501744	Washer,Flt 8 x 17 x 1.6 ZP	1
20	501703	Washer,Flt 6 X 14 X1.2 ZP	1	74	550422	Spacer-Long, Wheel Bracket ZP	1
21	550430	Brace-Height Control, Edger ZP	1	75	550421	Spacer-Short, Wheel Bracket ZP	1
22	501764	Nut, M 6 Hex Nyloc X 6Thk ZP	1	76	501744	Washer,Flt 8 x 17 x 1.6 ZP	1
25	750409	<b>Height Lever Assembly</b>	1	77	501793	Nut,M8 Hex Nylocx 8Thck ZP	1
26	580056	*Grip-Height Lever 7.9Dia Sq Blk	1	78	950475	Bracket-Frnt Wheels,Edger Red	1
27	980733	*Rod-Height Selector(Std Knob)ZP	1	79	550417	Axle-Front Wheels, Edger ZP	1
28	580649	*Spring-Leaf	1	80	579199	Wheel Assy-150mm + Bearings,Blk	2
29	503373	*Rivet-F/HD3/16"X27/64"ZP	3	81	551212	Bearing-Wheel,Ball Type	4
30	550409	*Pivot Assy-Brkt Ht Lvr ZP	1	82	550420	Spacer-Front Wheels, Edger ZP	2
31	501843	Screw,Set M 8X 40 Hex ZP	2	83	503369	Pin,Tension 5.0X 25 ZP	1
32	503831	Nut, M 8 Hex Nyloc X 6Thk ZP	2	84	503236	Clip-Starlock,1/2"	1
33	502113	Bolt ,Car M 6X 35 ZP	4	85	501716	Screw,Set M 8X 35 Hex ZP	4
34	501703	Washer,Flt 6 X 14 X1.2 ZP	4	86	501744	Washer,Flt 8 X 17 X1.6 ZP	4
35	501764	Nut, M 6 Hex Nyloc X 6Thk ZP	4	87	501793	Nut,M8 Hex Nylocx 8Thck ZP	4
36	501061	Screw,Set M 5X 25 Hex ZP	1	<b>Not Illustrated</b>			
37	501330	Washer,Flt 5 X 10 X1.0 ZP	1	550472	Owner Manual	1	
38	550418	Axle-Rear Wheels, Edger ZP	1	556965	Warranty Card	1	
39	503511	Nut, M 5 Hex Nyloc ZP	1	569730	MORRISON Gel/Decal	1	
40	550426	Spacer-Rear Axle, Edger ZP	1	581413	Decal - Handle,Drive OPC	1	
41	551212	Bearing-Wheel,Ball Type	4	582049	Decal-Caution	1	
42	579201	Wheel Assy-200mm + Bearings,Blk	2	536553	Decal-Caution,Guard	1	
43	503236	Clip-Starlock,1/2"	2	550439	Wire-Engine, Cut Out	1	
44	579202	Hub Cap-Button Spoked Black	2	550467	Wire-Engine, C/O,Earth Short	1	
45	950474	Chassis Assy,Eng Mnt Edgr Red	1	550468	Wire-Engine, C/O, Earth Long	1	
46	501744	Washer,Flt 8 X 17 X1.6 ZP	2	<b>Spares Note</b>			
47	501597	Screw,Set M 8X 20 Hex ZP	2	Wire 550439 is routed inside both Handles			
48	501744	Washer,Flt 8 X 17 X1.6 ZP	2	Wire 550468 is routed inside both Handles			
49	501793	Nut,M8 Hex Nylocx 8Thck ZP	2	550467 Connects to 550468 & to the			
50	550427	Toggle-Link, Height Adjster ZP	1	Engine Mounting Bolt			
51	501744	Washer,Flt 8 X 17 X1.6 ZP	2	Also Available			
52	501793	Nut,M8 Hex Nylocx 8Thck ZP	1	774230 Knob Lock Assembly (2 Per)			
53	550431	Link-Adjustable Hight Cntrl ZP	1				

When ordering PLEASE QUOTE PART NUMBER & Description, NOT Illustration No.  
Determine right or left hand side from standing in operating position (standing at handle)  
**Bold Text** = Assemblies, Bulleted Text \* = Items included in the Assemblies