

Click image to enlarge

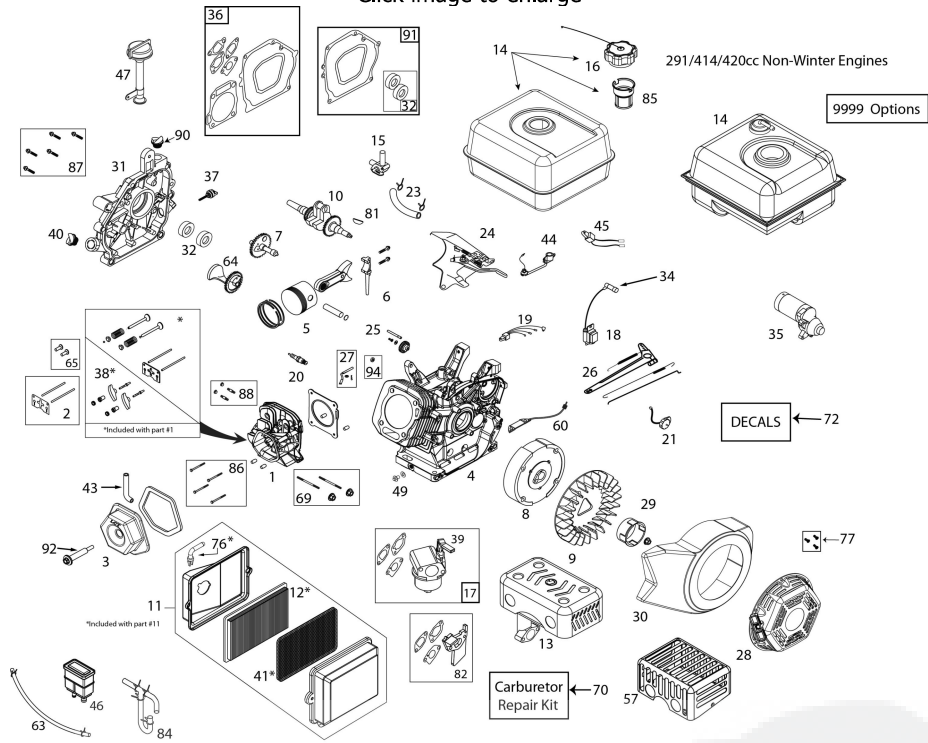


ILLUSTRATION FOR REFERENCE PURPOSES ONLY

PLMHK251250241NXBIPTUVX4E7S

| Ref# | LCT # | Description |
|------|-------------|--|
| 1 | SK4141050.1 | Cylinder Head Assembly (45 Degree 414cc Non-Generator) (incl |
| 2 | SK4141001.1 | Push Rod & Plate Kit (414cc)(incl. valve cover gskt) |
| 3 | SK4144500.1 | Valve Cover (291/414cc) (incl. Gasket) |
| 5 | SK4141400.1 | Piston & Rod Assembly (414cc) |
| 6 | SK4141500.1 | Connecting Rod Assembly (414cc)-LQA |
| 7 | SK4141600.1 | Camshaft - MCR (414cc) |
| 8 | SK4141701.1 | Flywheel - Electric Start (2-charging magnets) (414cc) |
| 9 | SK4144000.1 | Cooling Fan - Flywheel (Plastic - 414cc) |
| 10 | SK4141810.1 | Crankshaft (#25 Keyed 414cc Summer) |
| 11 | SK4142002.1 | Air Filter Assy - Complete (No nipple) |
| 12 | SK4142012.1 | Air Filter Element (Pleated Paper w/pre-filter) (291/414cc) |
| 13 | SK4142115.1 | Muffler Kit - 45 Degree Non-Generator (Summer) |
| 14 | SK2912212.1 | Fuel Tank (3,6L Black w/Plastic Cap) |
| 15 | SK4142220.1 | Fuel Tank On/Off Valve (1/4-inch outlet) (Same as SK2082221. |
| 16 | SK4148300.1 | Fuel Tank Cap (Plastic - Vented) |
| 17 | SK4142400.2 | 414CC CARBURETOR L09 ASSY |
| 18 | SK2912510.1 | Ignition Coil (CDI - 291/414cc Summer)(1-pc ignition used wi |
| 20 | SK2911550.1 | Spark Plug (same as SK2083810.1)-OBSOLETE |
| 21 | SK2082600.1 | Engine Stop Switch - Rotary |
| 23 | SK4146000.1 | Fuel Hose Kit (229mm) |
| 24 | SK4142800.1 | Speed Control (Manual) |
| 25 | SK4142900.1 | Governor Gear Assembly |
| 26 | SKSN4502.1 | Governor Arm & Link Kit (414cc) |
| 27 | SK4143100.1 | Governor Arm Paddle |
| 28 | SK4143200.1 | Recoil Starter - Black (Summer) |
| 29 | SK4143300.1 | Recoil Starter Cup (Summer) |
| 30 | SK4143400.1 | Blower Housing - Black Manual Start w/switch hole (414cc) |
| 31 | SK4143601.1 | Cylinder Cover (HOFT Features)(Full-face Gasket Surface) |

| | | |
|------|-------------|---|
| 32 | SK4143905.1 | Oil Seal Kit (414cc) |
| 34 | SK4143800.1 | Spark Plug Boot |
| 35 | SK4148050.1 | 12V Electric Starter (414cc) |
| 36 | SK4144300.1 | Engine Gasket Kit (414cc)-OBSOLETE |
| 37 | SK4143711.1 | Small Black Oil Dipstick (Plastic) |
| 38 | SK4141100.1 | Rocker Arm Kit (291/414cc)(incl. gasket) |
| 39 | SK4142120.1 | Choke Lever (Plastic - 291/414cc) |
| 40 | SK4143715.1 | Non-Removable Plastic Plug (291/414cc) |
| 41 | SK4149001.1 | Poly Pre-Filter (use with 'P' Air Cleaner) (291/414cc) |
| 43 | SK4144510.1 | Breather Tube (291/414cc) |
| 44 | SK4142700.1 | Low Oil Sensor Switch (LOS) |
| 45 | SK2085930.1 | LOS Stabilizer Module (Gold Box) |
| 47 | SKSN4911.1 | High Oil-Fill Tube & Cap (no dipstick) |
| 49 | SK4149911.1 | Oil Drain Plug w/washer (291/414cc) |
| 57 | SK4142107.1 | CE Compliant Muffler Shield (wire frame type) |
| 60 | SKSN0770.1 | Charging Coil (6-watt AC) |
| 63 | SK4149015.1 | Vapor Hose (7.5*3*350mm) |
| 64 | SK4141650.1 | Counter Weight Kit |
| 65 | SK2911005.1 | Tappet Kit (291/414cc)(Set of 2) |
| 70 | SK9950.1 | Carburetor Repair Kit (291/414cc) |
| 77 | SK9999.1 | Recoil Bolt Kit (3 bolts per kit) |
| 81 | SK2089905.1 | Woodruff Flywheel Keys (5-pack) (5x6x18mm)(208/414cc) |
| 82 | SK4142450.1 | 414CC CARBURETOR SPACER KIT |
| 85 | SK2082399.1 | Fuel Tank Strainer |
| 86 | SK9978.1 | Cylinder Head Bolt Kit (4) (291-414cc) |
| 87 | SK9970.1 | CC Cover Bolt Kit (7) (414cc) |
| 88 | SK9966.1 | Muffler Mtg Stud Kit (2) |
| 90 | SK2083705.1 | Non-Removable Plastic Plug (136/208/254cc) |
| 91 | SK7370.1 | Crankshaft Gasket Kit 369-414cc |
| 92 | SK9982.1 | Valve Cover Bolt_with Seal |
| 94 | SK4143105.1 | Gov Shaft Oil Seal |
| 9999 | SK4145050.1 | High Altitude Jet (>6,000 feet)(414cc L09-1 Carburetor) |

Service Engine: 941410223