

ILLUSTRATED PARTS LIST

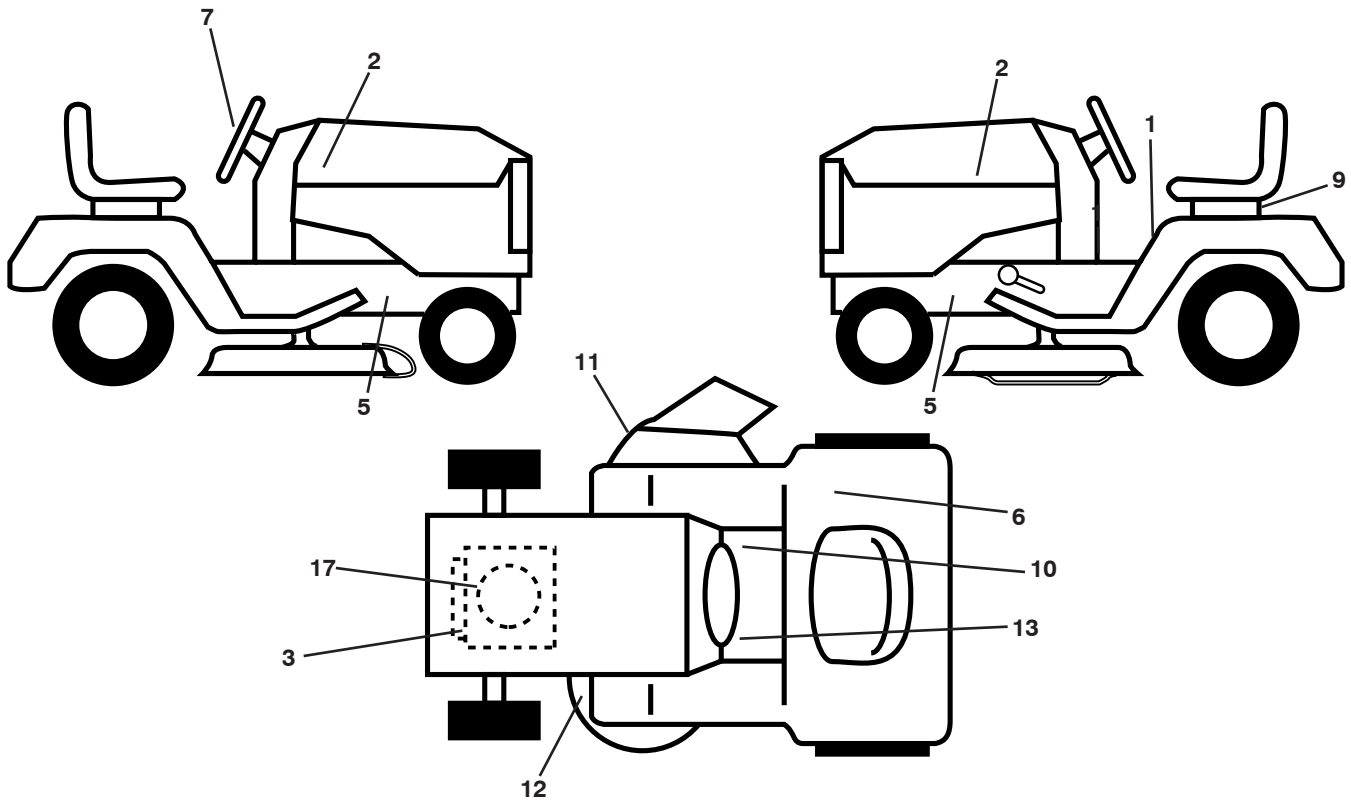
MODEL NO. 96041013702

CUSTOMER CATALOG NO. LZ11577RB

PRODUCT NO. 960 41 01-37



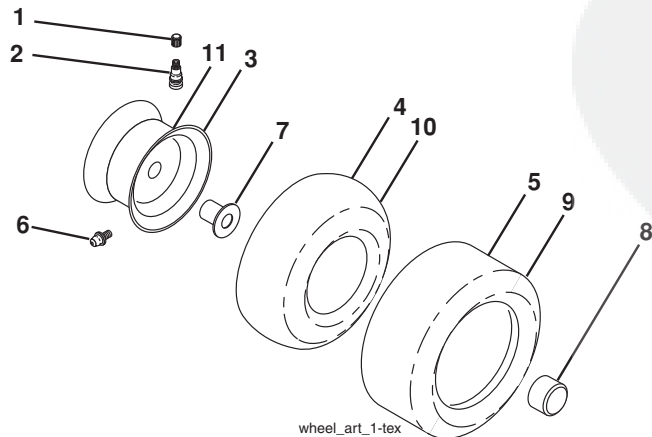
TRACTOR - MODEL NO. LZ11577RB (96041013702), PRODUCT NO. 960 41 01-37
DECALS 27



| KEY NO. | PART NO. | DESCRIPTION |
|---------|--------------|------------------------------|
| 1 | 532 40 03-89 | Decal, Operators |
| 2 | 532 43 82-51 | Decal, Hood Logo RH/LH |
| 3 | 532 19 68-41 | Decal, Warning Eng. Symbols |
| 5 | 532 15 97-36 | Decal, Chassis Hot Muffler |
| 6 | 532 18 04-32 | Decal, Fender 100 DB/CE |
| 7 | 532 42 82-53 | Decal, Wheel Steering |
| 9 | 532 14 50-05 | Decal, Battery Dnge/Poi |
| 10 | 532 14 08-37 | Decal, Saddle Brake Parking |
| 11 | 532 42 51-13 | Decal, Warning Dflect/Ctfrng |

| KEY NO. | PART NO. | DESCRIPTION |
|---------|--------------|-------------------------------|
| 12 | 532 42 15-43 | Decal, Mower V-Belt Schematic |
| 13 | 532 15 97-37 | Decal, Brake/Clutch Symbol |
| 17 | 532 43 74-09 | Decal, BS Engine |
| -- | 532 42 59-76 | Pad, Footrest, LH |
| -- | 532 42 59-28 | Pad, Footrest, RH |
| -- | 532 42 64-54 | Manual Oper. Euro |
| -- | 532 42 64-55 | Manual Oper. Scand |
| -- | 532 42 64-56 | Manual Oper. E-Bloc |
| -- | 532 42 64-57 | Manual Oper. Baltic |

WHEELS AND TIRES



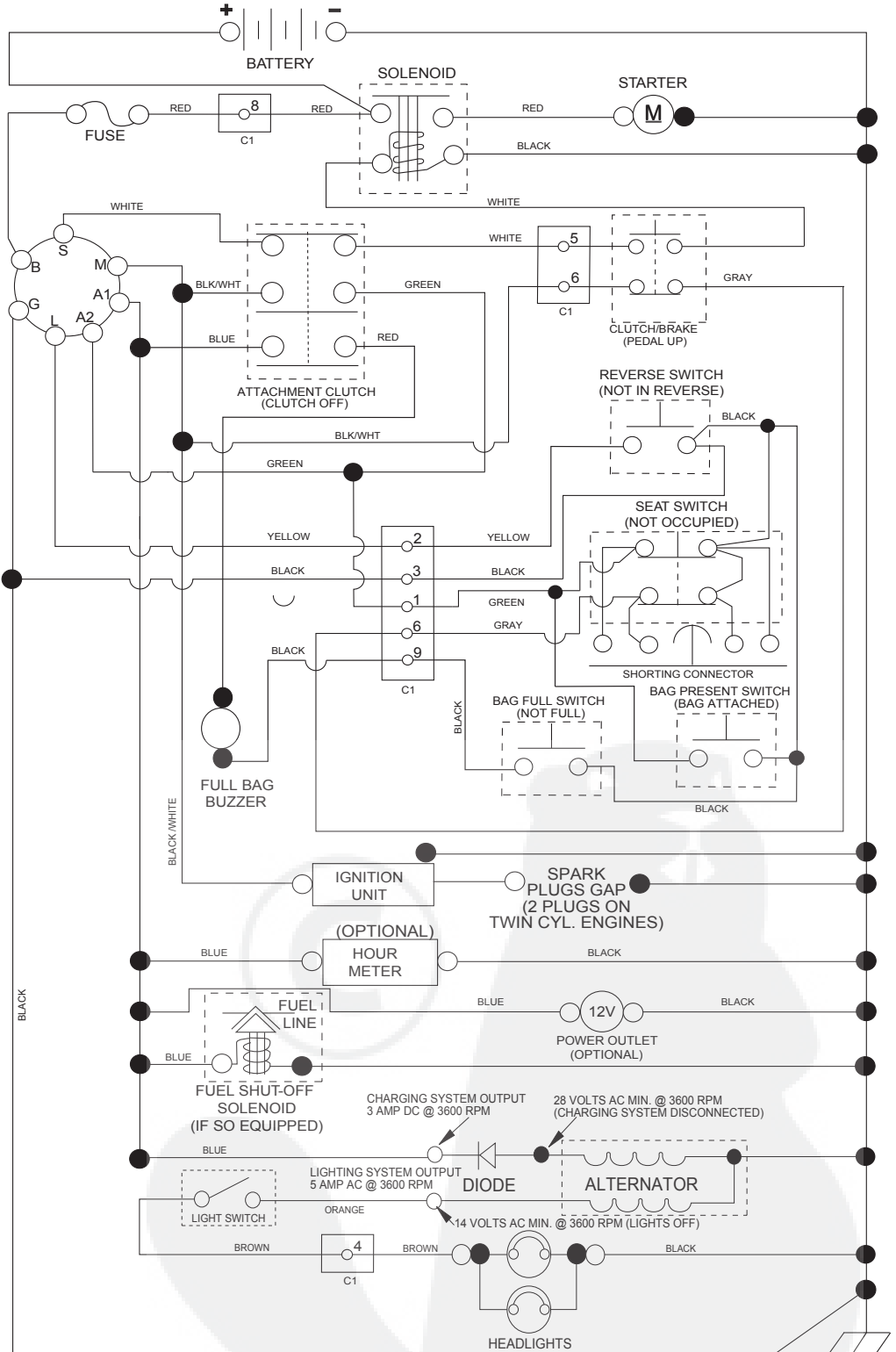
| KEY NO. | PART NO. | DESCRIPTION |
|---------|--------------|-----------------------------------|
| 1 | 532 05 91-92 | Cap Valve Tire |
| 2 | 532 06 51-39 | Stem Valve |
| 3 | 532 42 67-59 | Rim Asm 6 x 3.25 Front |
| 4 | 532 42 16-52 | TubeFront13x5-6(ServiceItemOnly) |
| 5 | 532 12 34-10 | Tire F T 13 x 5.0 - 6 |
| 6 | 532 12 49-57 | Fitting Grease (Front Wheel Only) |
| 7 | 532 12 49-59 | Bearing Flange (Front Wheel Only) |
| 8 | 532 17 50-39 | Cap Axle Blk 1 50 x 1 00 |
| 9 | 532 10 62-30 | Tire R 16 x 6.5 |
| 10 | 532 00 71-54 | Tube Rear (Service Item Only) |
| 11 | 532 42 67-60 | Rim Asm 8 x 5.375 Rear |
| -- | 532 14 43-34 | Sealant, Tire (10 oz. Tube) |

NOTE: All component dimensions given in U.S. inches
 1 inch = 25.4 mm

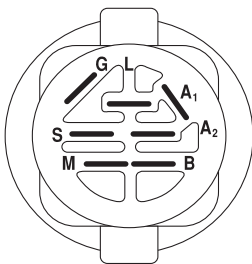
TRACTOR - MODEL NO. LZ11577RB (96041013702), PRODUCT NO. 960 41 01-37

SCHEMATIC **38**

SCH17

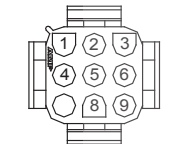


NOTE
 YOUR TRACTOR IS EQUIPPED WITH A SPECIAL ALTERNATOR SYSTEM. THE LIGHTS ARE NOT CONNECTED TO THE BATTERY, BUT HAVE THEIR OWN ELECTRICAL SOURCE. BECAUSE OF THIS, THE BRIGHTNESS OF THE LIGHTS WILL CHANGE WITH ENGINE SPEED. AT IDLE THE LIGHTS WILL DIM. AS THE ENGINE SPEED IS INCREASED, THE LIGHTS WILL BECOME THEIR BRIGHTEST.

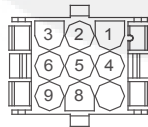


IGNITION SWITCH

| POSITION | CIRCUIT | "MAKE" |
|--------------|------------|--------|
| OFF | M+G+A1 | |
| RUN/OVERRIDE | B+A1 | |
| RUN | B+A1 | L+A2 |
| START | B + S + A1 | |



CHASSIS HARNESS CONNECTOR (C1) (MATING SIDE)



DASH HARNESS CONNECTOR (C1) (MATING SIDE)

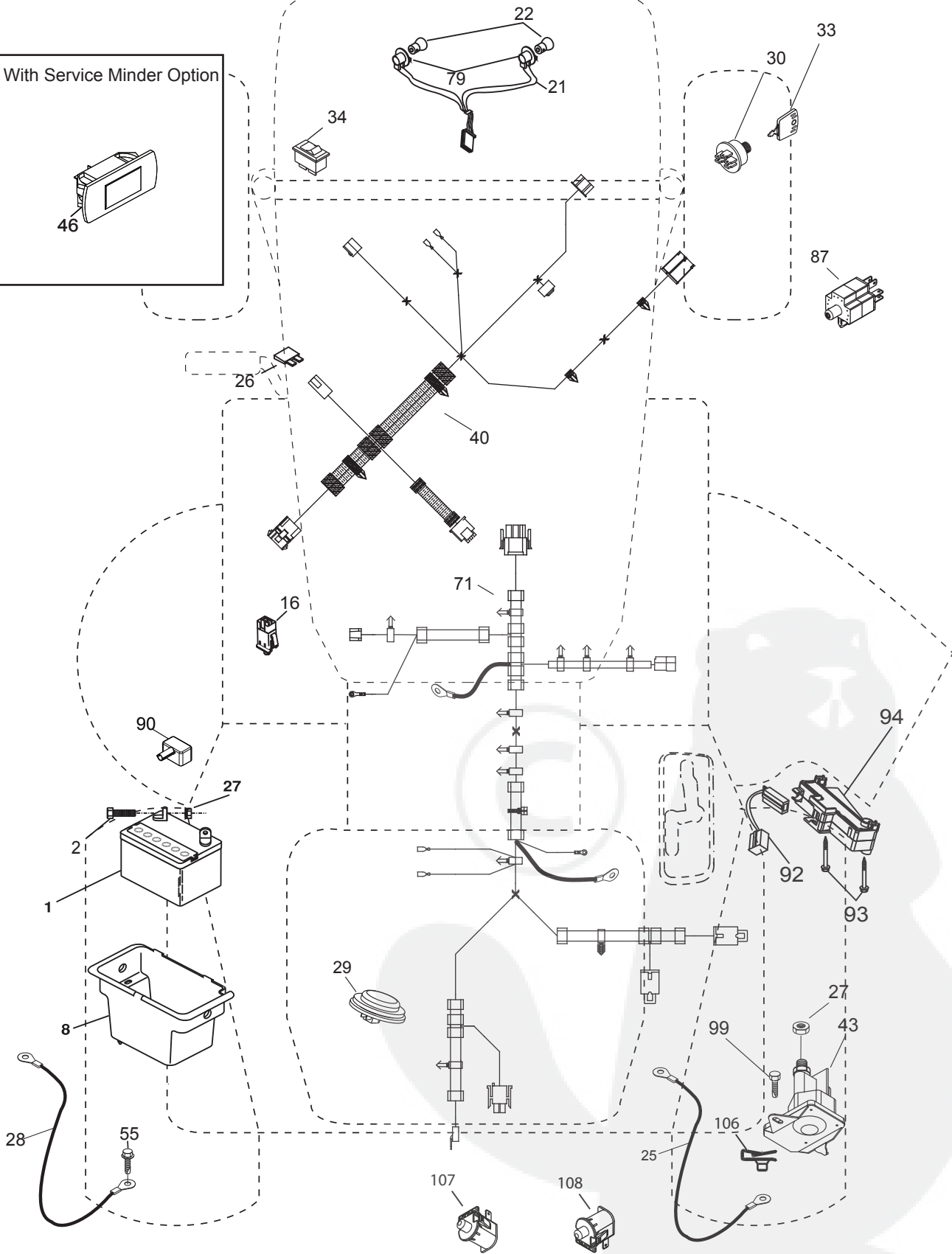
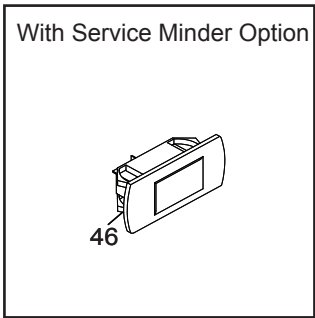
WIRING INSULATED CLIPS
 NOTE: IF WIRING INSULATED CLIPS WERE REMOVED FOR SERVICING OF UNIT, THEY SHOULD BE RE-INSTALLED TO PROPERLY SECURE YOUR WIRING.

NON-REMOVABLE CONNECTIONS

REMOVABLE CONNECTIONS

TRACTOR - MODEL NO. LZ11577RB (96041013702), PRODUCT NO. 960 41 01-37
ELECTRICAL 32

S01S

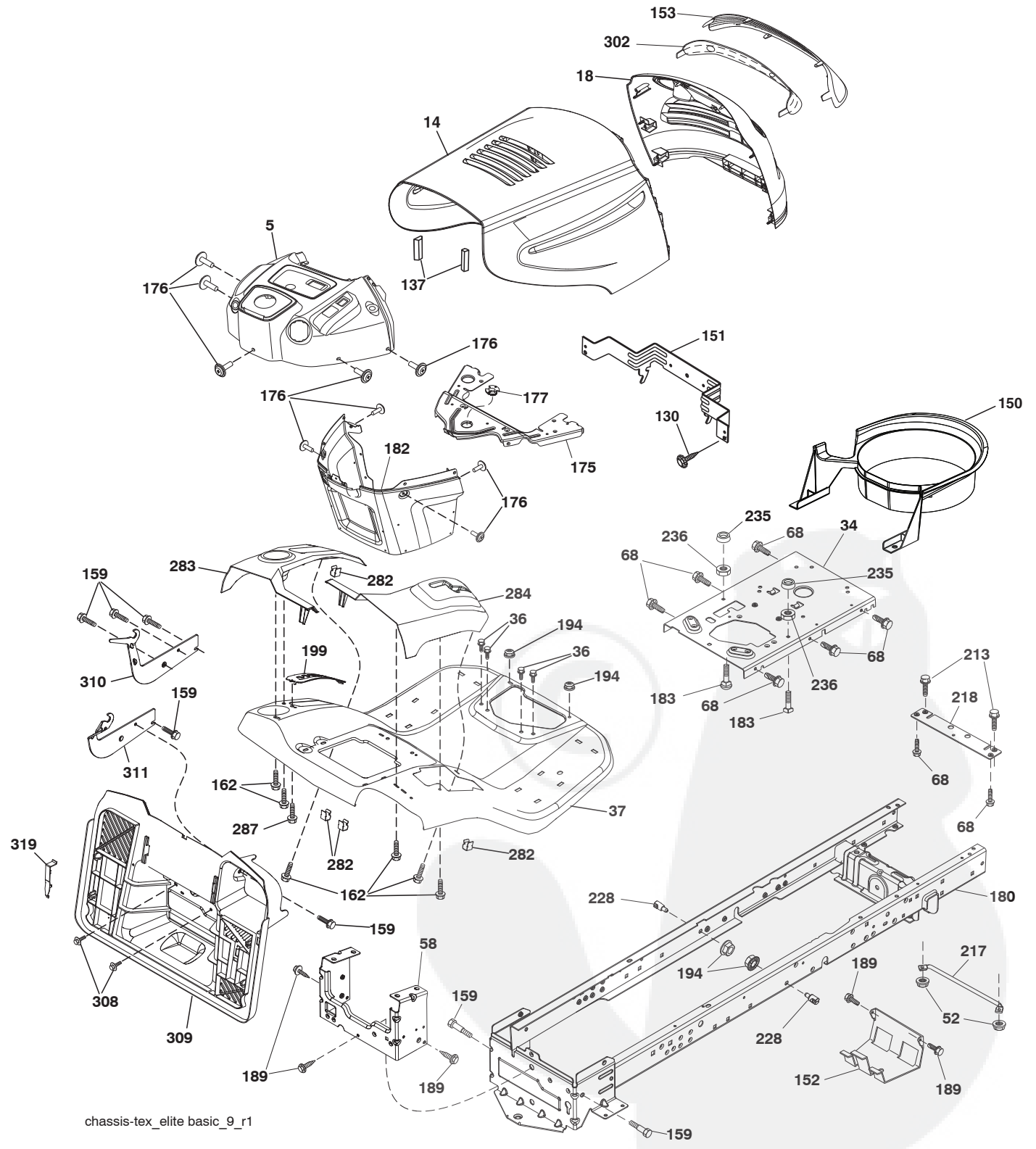


TRACTOR - MODEL NO. LZ11577RB (96041013702), PRODUCT NO. 960 41 01-37
ELECTRICAL 32

| KEY NO. | PART NO. | DESCRIPTION |
|---------|--------------|---------------------------------|
| 1 | 532 14 49-24 | Battery |
| 2 | 874 76 04-12 | Bolt Hex Head 1/4-20 x 3/4 |
| 8 | 532 41 97-91 | Box Battery |
| 16 | 532 17 61-38 | Switch Interlock Push-In |
| 21 | 532 18 37-59 | Harness Socket Light w/4152J |
| 22 | 532 00 41-52 | Bulb Light |
| 25 | 532 41 66-94 | Cable Starter |
| 26 | 532 17 51-58 | Fuse |
| 27 | 873 51 04-00 | Nut Keps Hex 1/4-20 unc |
| 28 | 532 42 16-86 | Cable, Ground |
| 29 | 532 40 15-45 | Switch, Seat |
| 30 | 532 19 33-50 | Switch, Ign |
| 33 | 532 41 19-35 | Key/Chain |
| 34 | 532 11 07-12 | Switch Light/Reset |
| 40 | 532 42 10-02 | Harness Ign. Dash |
| 43 | 532 19 25-07 | Solenoid |
| 55 | 817 06 05-12 | Screw Thdrol 5/16-18 x 3/4 TYTT |
| 71 | 532 42 94-12 | Harness Ign. Chassis |
| 79 | 532 17 52-42 | Socket Asm. Bulb |
| 87 | 532 42 10-60 | Switch Railmount NO-NC-NC |
| 90 | 532 43 53-95 | Cover Terminal |
| 92 | 532 19 66-15 | Harness Pigtail Console ROS |
| 93 | 532 19 25-40 | Screw Plastite 10-14 x 2.0 |
| 94 | 532 19 18-34 | Module Reverse |
| 99 | 817 67 04-12 | Screw 1/4-20 x 3/4 |
| 106 | 532 17 48-14 | Palnut 1/4 Lugs |
| 107 | 532 42 10-61 | Switch Snapmount No #2 |
| 108 | 532 42 10-62 | Switch Snapmount NC |

NOTE: All component dimensions given in U.S. inches
 1 inch = 25.4 mm

TRACTOR - MODEL NO. LZ11577RB (96041013702), PRODUCT NO. 960 41 01-37
CHASSIS AND ENCLOSURES **39**



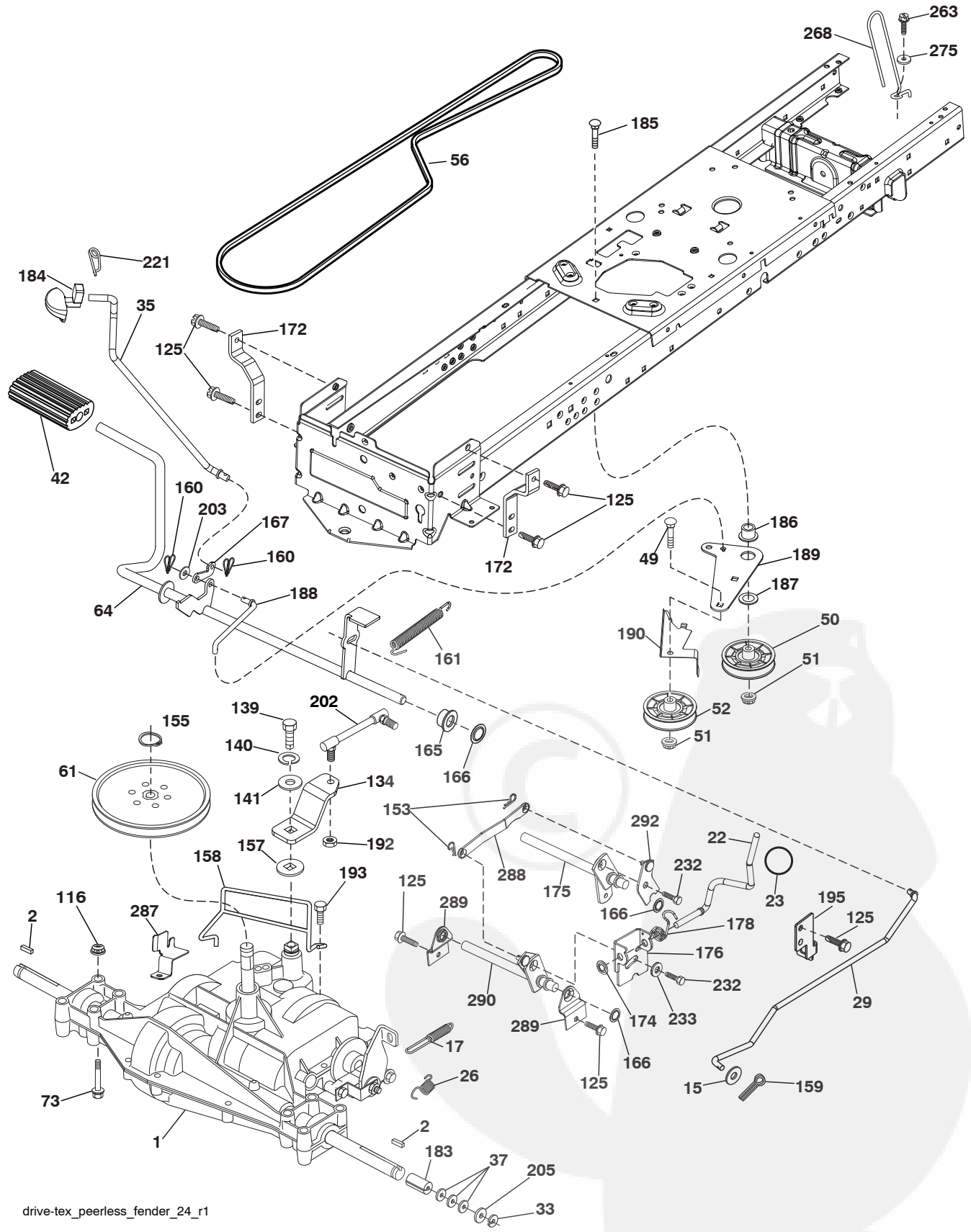
chassis-tex_elite basic_9_r1

**TRACTOR - MODEL NO. LZ11577RB (96041013702), PRODUCT NO. 960 41 01-37
CHASSIS AND ENCLOSURES **39****

| KEY NO. | PART NO. | DESCRIPTION |
|---------|--------------|------------------------------------|
| 5 | 532 41 17-64 | Dash |
| 14 | 532 44 15-32 | Hood |
| 18 | 532 42 67-92 | Grille |
| 34 | 532 19 61-25 | Plate Engine |
| 36 | 817 06 05-12 | Screw 5/16-18 x 3/4 |
| 37 | 532 44 13-39 | Fender |
| 52 | 873 68 05-00 | Nut Crown Lock 5/16 |
| 58 | 532 41 22-80 | Drawbar Upper |
| 68 | 817 49 05-08 | Screw Thdrol. 5/16-18 x 1/2 |
| 130 | 532 41 63-58 | Screw #10 x 0.750 BOS Thread |
| 137 | 532 18 49-21 | Bumper Dash |
| 150 | 532 18 44-61 | Duct Intake Air |
| 151 | 532 40 78-07 | Bracket Pivot |
| 152 | 532 19 95-35 | Shield Browning |
| 153 | 532 18 98-37 | Lens Grille |
| 159 | 817 00 06-12 | Screw Kexwsh Thdr 3/8-16 x 3/4 |
| 162 | 532 14 24-32 | Screw Hex Wsh. Hi-Lo 1/4 x 1/2 unc |
| 175 | 532 19 32-43 | Crossmember |
| 176 | 532 40 07-76 | Screw 10-24 x 5/8 |
| 177 | 532 19 52-28 | Bushing Steering |
| 180 | 532 41 46-85 | Chassis |
| 182 | 532 19 30-57 | Dash Lower |
| 183 | 874 52 05-20 | Bolt 5/16-18 unc x 1-1/4 |
| 189 | 817 00 05-12 | Screw 5/16-18 x 3/4 |
| 194 | 873 90 05-00 | Nut Lock Hex Flange 5/16-18 |
| 199 | 532 41 87-39 | Plate Deck Lift |
| 213 | 874 76 05-12 | Bolt 5/16-18 x 3/4 |
| 217 | 532 40 91-67 | Rod Pivot Hood |
| 218 | 532 19 63-95 | X-Piece Hood Stop |
| 228 | 532 19 51-61 | Stud Fastener |
| 235 | 532 40 61-29 | Spacer Fender |
| 236 | 873 93 05-00 | Nut Lock 5/16-18 unc |
| 282 | 532 41 41-10 | Clip Retainer |
| 283 | 532 44 03-61 | Console Deck Lift |
| 284 | 532 44 05-28 | Console Shift |
| 287 | 817 60 04-06 | Screw Hex Washhead 1/4-20 x 3/8 |
| 302 | 532 18 38-23 | Insert Lens Refl |
| 308 | 532 17 18-77 | Bolt 5/16-18 unc x 3/4 |
| 309 | 532 43 02-46 | Backplate Bagger SRD |
| 310 | 532 43 68-88 | Bracket Hangar Bag LH |
| 311 | 532 43 68-89 | Bracket Hangar Bag RH |
| 319 | 532 17 46-62 | Bracket Actuator |

NOTE: All component dimensions given in U.S. inches
1 inch = 25.4 mm

TRACTOR - MODEL NO. LZ11577RB (96041013702), PRODUCT NO. 960 41 01-37
DRIVE 40

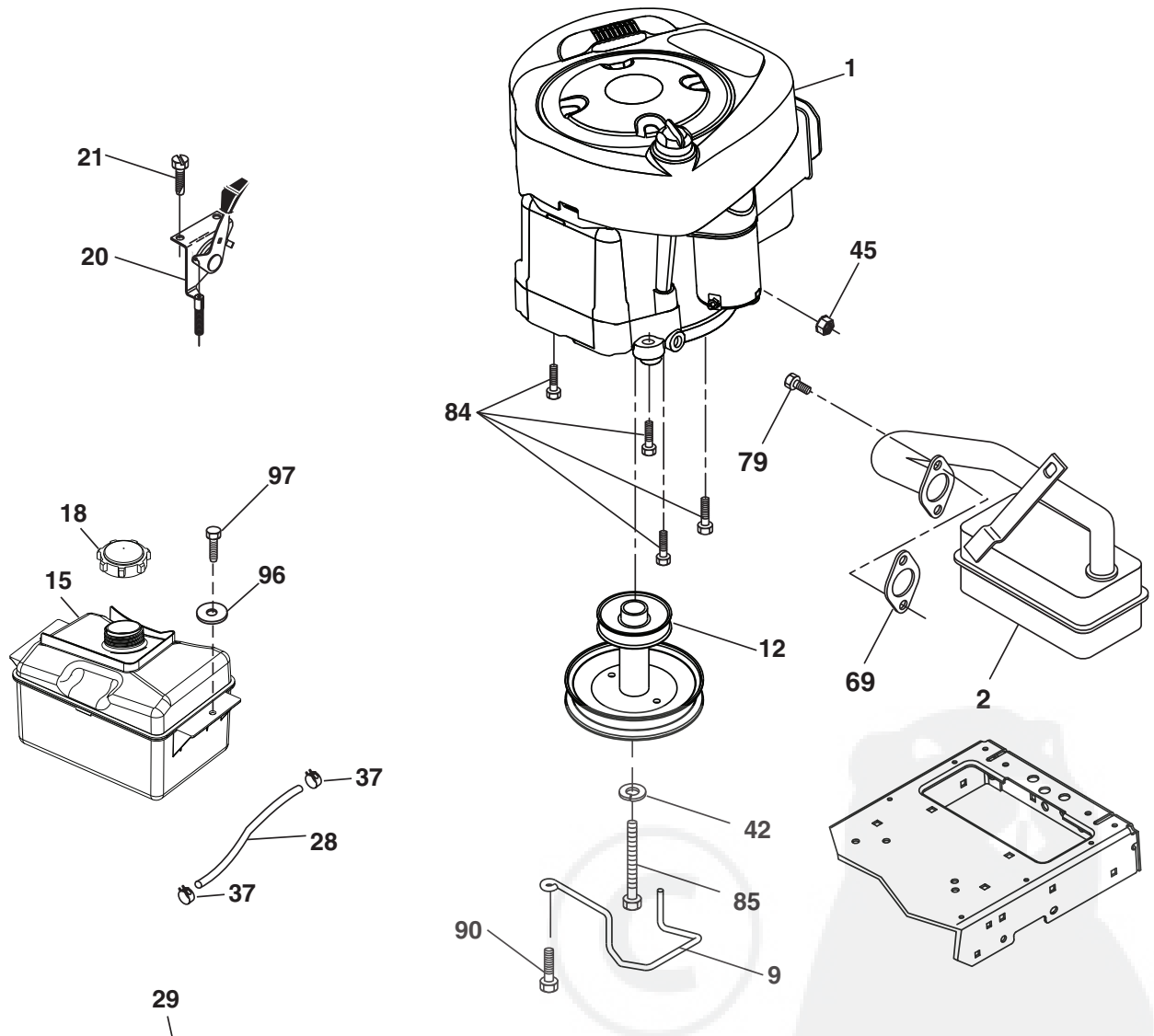


drive-tex_peerless_fender_24_r1

**TRACTOR - MODEL NO. LZ11577RB (96041013702), PRODUCT NO. 960 41 01-37
DRIVE **40****

| KEY NO. | PART NO. | DESCRIPTION | KEY NO. | PART NO. | DESCRIPTION |
|---------|--------------|---------------------------------|---------|--------------|--------------------------------|
| 1 | 532 19 79-41 | Transaxle, Peerless 206-565 | 167 | 532 40 52-57 | Latch Brake Parking |
| 2 | 532 12 35-83 | Key Square | 172 | 532 19 76-57 | Strap Torque LH |
| 15 | 819 13 13-16 | Washer 13/32 x 13/16 x 16 Ga. | 174 | 532 19 72-89 | Nut Push |
| 17 | 532 19 72-97 | Spring, Brake | 175 | 532 19 78-58 | Shaft Asm Shift |
| 22 | 532 41 66-14 | Rod Shift | 176 | 532 19 62-14 | Arm Clevis Rod Shift |
| 23 | 532 12 12-74 | Knob | 178 | 532 19 63-14 | Spring Shift |
| 26 | 532 19 74-55 | Spring Brake RTN | 183 | 532 13 70-57 | Spacer, Axle |
| 29 | 532 19 72-67 | Rod, Brake | 184 | 532 44 15-04 | Handle Parking Brake |
| 33 | 812 00 00-01 | Ring E | 185 | 872 11 06-22 | Bolt |
| 35 | 532 19 77-22 | Rod, Brake, Park | 186 | 532 19 43-21 | Spacer Retainer |
| 37 | 532 12 17-49 | Washer 25/32 x 1-1/4 x 16 Ga. | 187 | 819 13 32-10 | Washer |
| 42 | 532 12 48-72 | Cover, Foot Pedal | 188 | 532 19 43-23 | Link Clutch Ground Drive |
| 49 | 872 11 06-14 | Bolt | 189 | 532 19 43-17 | Bellcrank Ground Drive |
| 50 | 532 19 43-27 | Pulley Idler Flat | 190 | 532 19 43-18 | Keeper Bellcrank Ground Drive |
| 51 | 873 90 06-00 | Lock Nut 3/8-16 | 192 | 532 15 03-60 | Nut Lock Center 1/4-28 |
| 52 | 532 19 43-26 | Idler V-Groove | 193 | 817 06 05-12 | Screw 5/16-18 x 3/4 |
| 56 | 532 13 82-55 | V-Belt, Drive | 195 | 532 19 73-32 | Bracket Brake Rod |
| 61 | 532 16 59-99 | Pulley Transaxle | 202 | 532 19 78-59 | Link Shift |
| 64 | 532 19 62-00 | Shaft Asm. Pedal Brake Control | 203 | 819 11 11-16 | Washer 11/32 x 11/16 x 16 Ga. |
| 73 | 874 49 05-44 | Bolt Hex Flghd.5/16-18 Gr. 5 | 205 | 532 12 17-48 | Washer 25/32 x 1-5/8 x 16 Ga. |
| 116 | 873 90 05-00 | Nut Lock Hex Flange 5/16-18 | 221 | 532 40 31-87 | Retainer Spring Clip Handle |
| 125 | 817 00 05-12 | Screw 5/16-18 x 3/4 | 232 | 874 78 07-16 | Bolt 7/16-14 x 1 Gr. 5 |
| 134 | 532 19 78-57 | Arm Shift | 233 | 532 40 52-96 | Washer Serrated |
| 139 | 874 55 04-12 | Bolt 1/4-20 unf Gr. 8 w/Patch | 263 | 817 00 06-12 | Screw Hexwsh Thdr 3/8-16 x 3/4 |
| 140 | 810 04 04-00 | Washer Lock Hvy Helical 1/4 | 268 | 532 18 24-02 | Guard Muffler |
| 141 | 819 09 12-10 | Washer 9/32 x 3/4 x 10 Ga. | 275 | 819 13 16-14 | Washer 13/32 x 1 x 14Ga. |
| 153 | 532 12 47-88 | Retainer Spring 1" | 287 | 532 42 16-48 | Keeper Pulley Transaxle |
| 155 | 812 00 00-28 | Ring Retainer | 288 | 532 41 66-17 | Link Shift Slave |
| 157 | 532 10 57-01 | Washer Plate Shf | 289 | 532 41 75-20 | Bracket Support Shift Outer |
| 158 | 532 19 43-52 | Keeper T/A | 290 | 532 42 00-14 | Shaft Asm. Shift Rear |
| 159 | 876 02 04-12 | Pin Cotter 1/8 x 3/4 | 292 | 532 41 93-07 | Plate Asm. Shift |
| 160 | 532 16 94-84 | Retainer Clip | | | |
| 161 | 532 10 57-09 | Spring, Return, Clutch | | | |
| 165 | 532 19 62-12 | Busing Shaft Brake Hand Control | | | |
| 166 | 532 42 91-64 | Nut Push .625 | | | |

NOTE: All component dimensions given in U.S. inches
1 inch = 25.4 mm



OPTIONAL EQUIPMENT
Spark Arrester

engine-tex_BS_28

**TRACTOR - MODEL NO. LZ11577RB (96041013702), PRODUCT NO. 960 41 01-37
ENGINE **24****

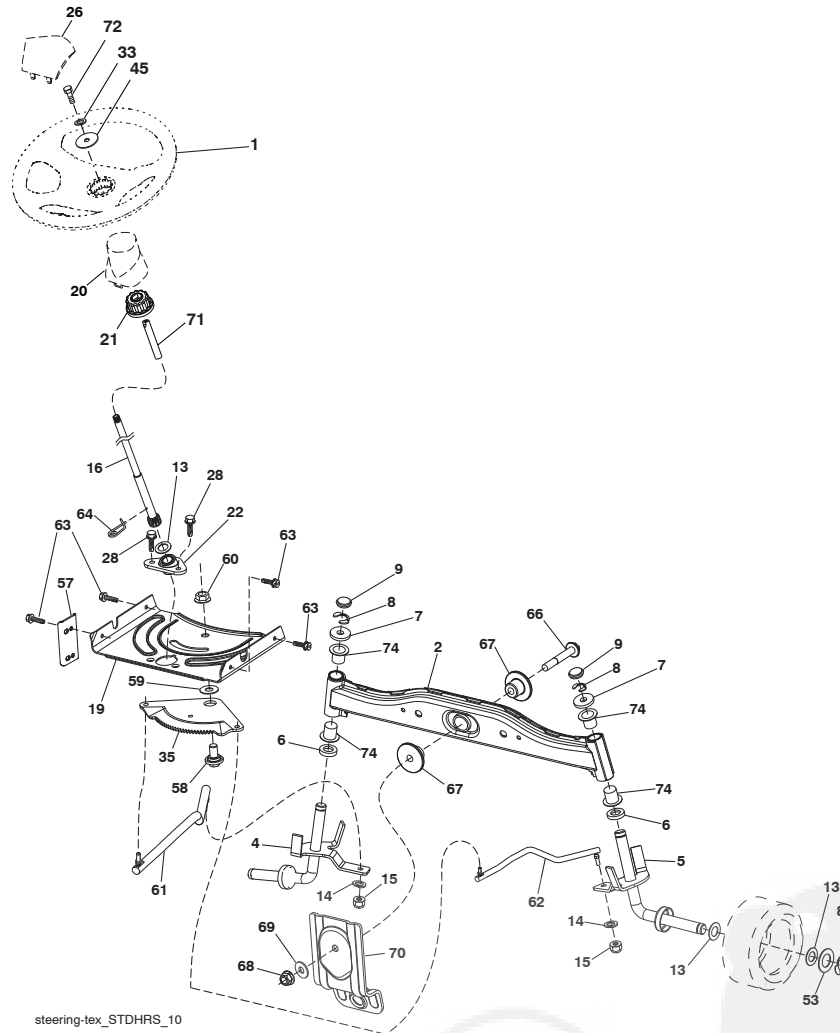
| KEY NO. | PART NO. | DESCRIPTION |
|----------------|-----------------|------------------------------------|
| 1 | 532 43 86-13 | Engine BS Model No. 217807-3209-B1 |
| 2 | 532 17 97-58 | Muffler |
| 9 | 532 19 43-19 | Keeper Belt Engine |
| 12 | 532 14 01-86 | Pulley Engine |
| 15 | 532 40 75-45 | Tank Fuel 1.5 |
| 18 | 532 43 02-20 | Cap Asm |
| 20 | 532 18 38-97 | Control Throttle |
| 21 | 532 41 63-58 | Screw #10 x 0.750 BOS Thread |
| 28 | 532 13 70-40 | Fuel Line |
| 29 | 532 13 71-80 | Spark Arrester Kit |
| 37 | 532 12 34-87 | Clamp Hose |
| 42 | 810 04 07-00 | Washer Lock Hvy HLCL SPR 7/16 |
| 45 | 873 51 04-00 | Nut Keps Hex 1/4-20 unc |
| 69 | 532 16 52-91 | Gasket |
| 79 | 532 19 23-34 | Screw Socket HD 5/16 - 18 x 75 |
| 84 | 817 06 06-20 | Screw 3/8-16 x 1-1/4 |
| 85 | 532 17 39-37 | Bolt Hex 7/16-20 x 4 Gr. 5 |
| 90 | 817 00 06-16 | Screw 3/8-16 x 1 |
| 96 | 819 09 14-16 | Washer 9/32 x 7/8 x 16 Ga. |
| 97 | 817 67 04-12 | Screw 1/4-20 x 3/4 |

NOTE: All component dimensions given in U.S. inches
1 inch = 25.4 mm

Engine Power Rating Information

The gross power rating for individual gas engine models is labeled in accordance with SAE (Society of Automotive Engineers) code J1940 (Small Engine Power & Torque Rating Procedure), and rating performance has been obtained and corrected in accordance with SAE J1995 (Revision 2002-05). Torque values are derived at 3060 RPM; horsepower values are derived at 3600 RPM. Actual gross engine power will be lower and is affected by, among other things, ambient operating conditions and engine-to-engine variability. Given both the wide array of products on which engines are placed and the variety of environmental issues applicable to operating the equipment, the gas engine will not develop the rated gross power when used in a given piece of power equipment (actual "on-site" or net power). This difference is due to a variety of factors including, but not limited to, accessories (air cleaner, exhaust, charging, cooling, carburetor, fuel pump, etc.), application limitations, ambient operating conditions (temperature, humidity, altitude), and engine-to-engine variability. Due to manufacturing and capacity limitations, Briggs & Stratton may substitute an engine of higher rated power for this Series engine.

TRACTOR - MODEL NO. LZ11577RB (96041013702), PRODUCT NO. 960 41 01-37
STEERING ASSEMBLY [41]

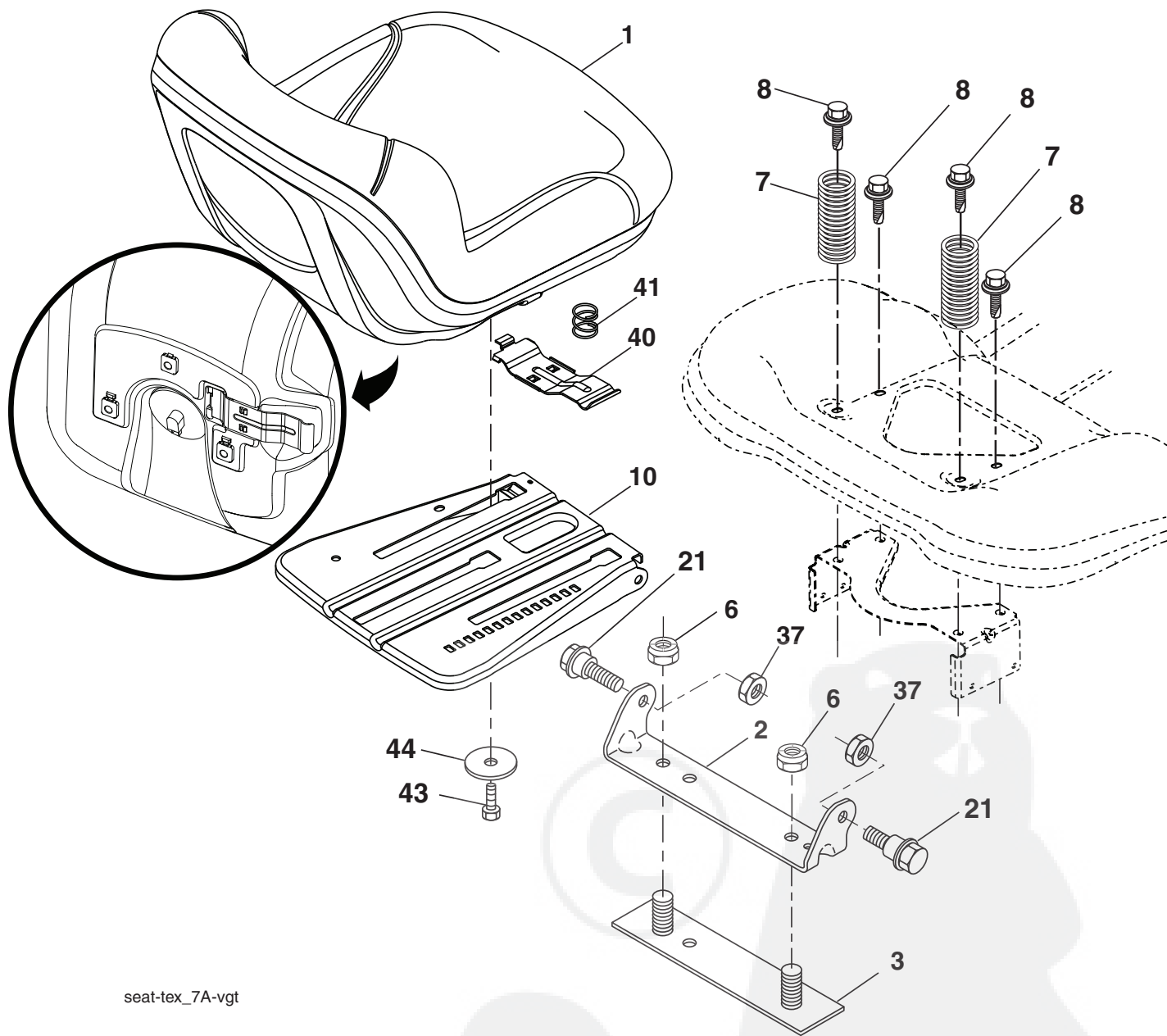


| KEY NO. | PART NO. | DESCRIPTION |
|---------|--------------|--------------------------------|
| 1 | 532 42 45-43 | Wheel, Steering |
| 2 | 532 41 81-68 | Axle Asm., Front |
| 4 | 532 41 68-45 | Spindle Asm., LH |
| 5 | 532 41 68-46 | Spindle Asm., RH |
| 6 | 532 12 49-31 | Bearing, Race Thrust Hardened |
| 7 | 532 12 17-48 | Washer 25/32 x 1-5/8 x 16 Ga. |
| 8 | 812 00 00-29 | Ring, Klip #T5304-75 |
| 9 | 532 12 12-32 | Cap, Spindle |
| 13 | 532 12 17-49 | Washer, 25/32 x 1-1/4 x 16 Ga. |
| 14 | 810 04 06-00 | Washer, Lock Hvy Hlcl Spr 3/8 |
| 15 | 873 54 06-00 | Nut, Crown Lock 3/8-24 unf |
| 16 | 532 42 93-73 | Shaft Steering |
| 19 | 532 19 47-29 | Plate Steering |
| 20 | 532 41 12-91 | Boot, Steering |
| 21 | 532 18 67-37 | Adapter, Wheel Steering |
| 22 | 532 42 05-37 | Lower Strg. Support |
| 26 | 532 42 46-91 | Insert, Wheel Steering |
| 28 | 817 00 06-12 | Screw 3/8-16 x 3/4 |
| 33 | 810 04 05-00 | Washer Lock 5/16 |
| 35 | 532 19 47-32 | Gear, Sector Plate |
| 45 | 819 11 38-12 | Washer 11/32 x 3/8 x 12 Ga. |

| KEY NO. | PART NO. | DESCRIPTION |
|---------|--------------|-------------------------------------|
| 53 | 532 18 89-67 | Washer Hardened .793 x 1.637 x .060 |
| 57 | 532 40 74-65 | Bracket Upstop |
| 58 | 532 19 47-47 | Bolt Shoulder Sector Pivot CFM |
| 59 | 532 19 47-48 | Washer Thrust Sector Steering |
| 60 | 873 97 10-00 | Nut Flange Lock 5/8-11 |
| 61 | 532 19 47-40 | Draglink, LH |
| 62 | 532 19 47-41 | Draglink, RH |
| 63 | 817 00 05-12 | Screw 5/16-18 x 3/4 |
| 64 | 532 19 98-49 | Retainer Clip Spring Steering |
| 66 | 871 02 07-48 | Bolt Hex Fghd 7/16-14 x 3 Serr |
| 67 | 532 19 47-37 | Bushing PM Front Axle |
| 68 | 873 90 07-00 | Nut Lock Flange 7/16-14 Gr. 5 |
| 69 | 532 19 91-62 | Washer 1.5 x .505 x .118 |
| 70 | 532 41 70-65 | Bracket Deck Susp. Front |
| 71 | 532 19 07-52 | Shaft Extension Steering |
| 72 | 532 42 89-82 | Bolt 5/16-18 x 4 W/Patch |
| 74 | 532 12 49-37 | Bearing |

NOTE: All component dimensions given in U.S. inches
 1 inch = 25.4 mm

**TRACTOR - MODEL NO. LZ11577RB (96041013702), PRODUCT NO. 960 41 01-37
SEAT ASSEMBLY 42**



seat-tex_7A-vgt

| KEY NO. | PART NO. | DESCRIPTION |
|---------|--------------|-------------------------------|
| 1 | 532 19 75-11 | Seat |
| 2 | 532 18 01-66 | Bracket Pivot Fender |
| 3 | 532 14 06-75 | Strap, Asm Fender |
| 6 | 873 80 06-00 | Nut, Lock w/Ins. 3/8-16 unc |
| 7 | 532 12 41-81 | Spring, Seat Cprsn |
| 8 | 532 17 18-77 | Bolt 5/16-18 unc x 3/4 w/Sems |
| 10 | 532 19 69-77 | Pan, Seat |
| 21 | 532 17 18-52 | Bolt, Shoulder 5/16-18 |

| KEY NO. | PART NO. | DESCRIPTION |
|---------|--------------|-------------------------------|
| 37 | 873 80 05-00 | Nut, Lock 5/16-18 unc |
| 40 | 532 19 76-61 | Handle Slide Seat |
| 41 | 532 19 82-00 | Spring Latch Seat |
| 43 | 874 76 06-12 | Bolt 3/8-16 x 3/4 |
| 44 | 819 13 38-12 | Washer 13/32 x 2-3/8 x 12 Ga. |

NOTE: All component dimensions given in U.S. inches
1 inch = 25.4 mm

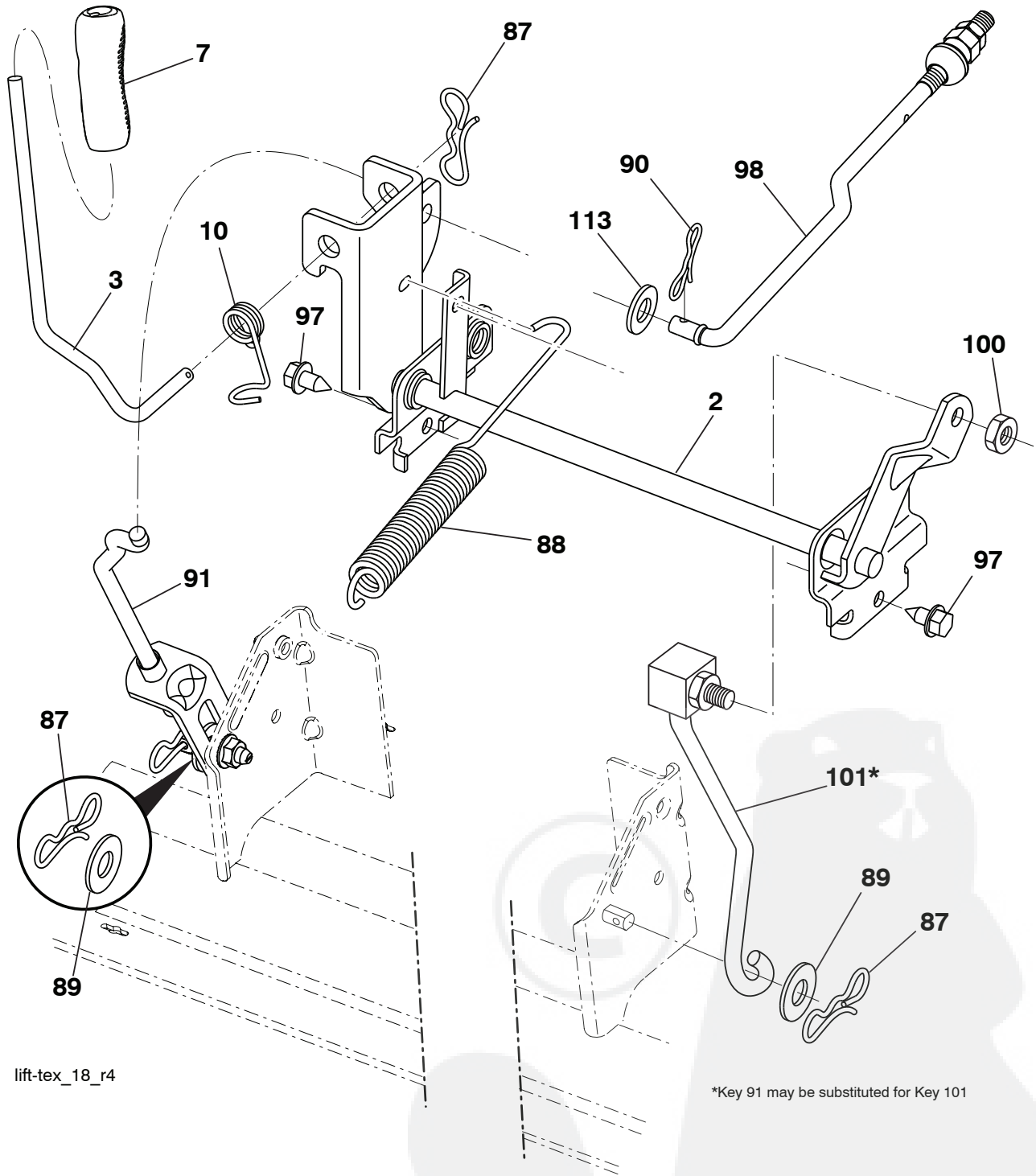
**TRACTOR - MODEL NO. LZ11577RB (96041013702), PRODUCT NO. 960 41 01-37
MOWER 44**

| KEY NO. | PART NO. | DESCRIPTION | KEY NO. | PART NO. | DESCRIPTION |
|---------|--------------|-----------------------------------|---------|--------------|--|
| 1 | 532 41 92-72 | Deck Weldment 30" Srd | 33 | 532 18 72-81 | Housing Mandrel 4pt Service |
| 2 | 532 19 51-61 | Stud Fastner w/"D'anti-Rotatio | 34 | 532 19 28-72 | Shaft Asm Mndrl N/Greaseable38 |
| 3 | 873 90 05-00 | Nut Lock Hex Flange 5/16 - 18 | 35 | 532 41 92-74 | Blade Mower Bagging Srd |
| 4 | 532 41 76-45 | Bracket Clutch Cable | 36 | 532 19 30-03 | Bolt/Washer Asm 7/16-20 unf |
| 5 | 817 00 05-10 | Bolt 5/16-18 | 37 | 819 13 13-16 | Washer 13/32 x 13/16 x 16 Ga. |
| 6 | 532 41 88-63 | Arm Susp Mower Rear Srd | 38 | 532 19 65-39 | Bolt Shoulder |
| 7 | 532 41 63-58 | Screw #10 x 0.750 BOS Thread | 40 | 532 41 92-70 | Keeper Belt Engine LH |
| 8 | 532 42 02-52 | Arm Idler 30"Srd | 41 | 532 41 92-65 | Keeper Belt Engine RH |
| 9 | 532 19 90-92 | Spacer Retainer | 42 | 817 00 06-12 | ScrewHexwshTHDR3/8-16x3/4BL |
| 10 | 817 00 06-16 | Screw 3/8-16 X 1 Smgml Tap/R Blk | 43 | 532 41 68-77 | Pulley Mandrel 6 5 Pd 30" |
| 11 | 532 13 77-29 | Screw Thd Roll 1/4-20 X 5/8 | 67 | 532 40 30-12 | Handle Clutch Cable |
| 12 | 532 19 94-70 | Arm Brake Mower 38" RH Tex | 70 | 532 19 83-32 | Clutch Asm. Manual |
| 13 | 872 11 06-12 | Bolt Carr Sh 3/8-16 X 1-1/2 Gr. 5 | 72 | 532 41 72-36 | Chute Upper SRD 30R |
| 14 | 532 15 60-85 | Keeper Belt Idler | 73 | 532 42 52-74 | Chute Lower SRD 30R |
| 15 | 532 14 67-63 | Pulley Idler V-Groove Dim 4.25 | 74 | 532 12 46-70 | Retainer Spring |
| 16 | 873 90 06-00 | Nut Lock FIG 3/8-16 unc | 76 | 532 41 55-98 | Port Washout |
| 17 | 532 40 02-34 | Nut Flange Lock Top | 80 | 532 42 30-62 | Palnut 1/4 |
| 18 | 532 18 76-90 | Washer Spacer Mandrel | 152 | 532 43 51-11 | Manual Clutch Cable |
| 19 | 532 11 04-85 | Bearing Ball Mandrel | -- | 532 19 28-70 | Mandrel Assembly (Includes Hous- ing, Shaft Assembly, And Bearing Only - Pulley/Nut/Washer And Blade Bolt/Washers Not Included) |
| 20 | 532 17 39-84 | Screw Thd Roll Dod Pt Hex | -- | 532 43 15-50 | Replacement Mower Complete |
| 21 | 532 41 69-10 | Keeper Belt Mandrel 30" | | | |
| 22 | 532 17 58-20 | Pulley Idler Flat | | | |
| 23 | 817 49 06-28 | Screw Thdrol 3/8-16 X 1-3/4 | | | |
| 24 | 819 13 20-12 | Washer 13/32 X 1-1/4 X 12 Ga | | | |
| 25 | 532 42 02-53 | Keeper Belt 30"Srd | | | |
| 26 | 532 42 02-55 | Cover Mandrel Mwr 30" Black | | | |
| 27 | 532 41 92-71 | V-Belt Drive | | | |
| 29 | 532 42 08-95 | Hinge Pin | | | |
| 32 | 532 40 18-72 | Spring Return Deck 38/46" | | | |

NOTE: All component dimensions given in U.S. inches
1 inch = 25.4 mm



TRACTOR - MODEL NO. LZ11577RB (96041013702), PRODUCT NO. 960 41 01-37
MOWER LIFT 45



lift-tex_18_r4

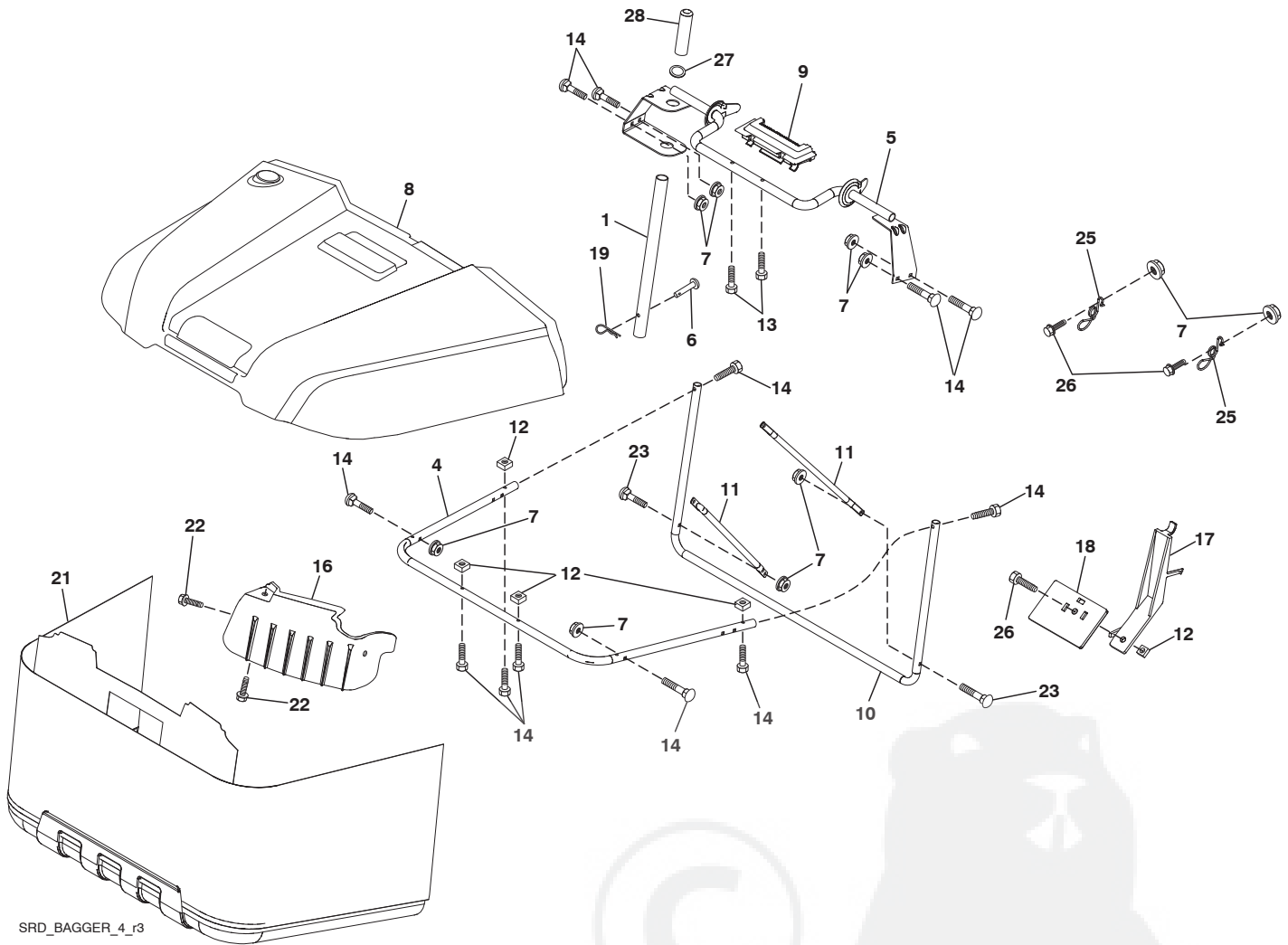
*Key 91 may be substituted for Key 101

| KEY NO. | PART NO. | DESCRIPTION |
|---------|--------------|------------------------------|
| 2 | 532 42 20-27 | Shaft Asm., Lift |
| 3 | 532 19 52-31 | Lever Asm., Lift RH |
| 7 | 532 41 15-55 | Grip, Lever |
| 10 | 532 19 63-14 | Spring Torsion |
| 87 | 532 19 42-09 | Pin Cotter 7/16 Bow Tie Lock |
| 88 | 532 41 07-10 | Spring Lift Assist |
| 89 | 819 19 19-12 | Washer Clear |
| 90 | 532 19 42-08 | Pin Cotter 5/16 Bow Tie Lock |
| 91 | 532 19 51-81 | Link Lift Susp Mower Rear |

| KEY NO. | PART NO. | DESCRIPTION |
|---------|--------------|--------------------------------|
| 97 | 817 00 06-12 | Screw 3/8-16 x 3/4 |
| 98 | 532 19 52-64 | Link Lift Susp. Front Mower |
| 100 | 873 93 06-00 | Nut Centerlock 3/8-16 |
| 101 | 532 40 70-03 | Link Asm Lift Fxd |
| 113 | 819 17 19-12 | Washer 17/32 x 1-3/16 x 12 Ga. |

NOTE: All component dimensions given in U.S. inches
 1 inch = 25.4 mm

**TRACTOR - MODEL NO. LZ11577RB (96041013702), PRODUCT NO. 960 41 01-37
BAGGER 46**



SRD_BAGGER_4_r3

| KEY NO. | PART NO. | DESCRIPTION |
|---------|--------------|----------------------------------|
| 1 | 532 42 86-10 | Tube Handle Bagger SRD |
| 4 | 532 43 96-12 | Frame Asm Bagger Top |
| 5 | 532 41 76-32 | Frame Asm Top Bagger SRD |
| 6 | 532 12 68-75 | Drilled Rivit |
| 7 | 873 90 04-00 | Nut Hex Flange 1/4-20 unc |
| 8 | 532 42 59-54 | Cover Bagger SRD |
| 9 | 532 41 76-29 | Insert Handle Bagger |
| 10 | 532 41 71-90 | Frame Front |
| 11 | 532 41 71-88 | Tubing Brace Bagger |
| 12 | 532 42 17-93 | Nut Square 1/4 |
| 13 | 532 42 17-80 | Screw 1/4 x 1.150 HXWSH |
| 14 | 532 42 18-00 | Bolt Shoulder HX WSH 1/4 x 1.150 |
| 16 | 532 42 15-66 | Deflector Bagger |

| KEY NO. | PART NO. | DESCRIPTION |
|---------|--------------|-----------------------------------|
| 17 | 532 42 17-49 | Lever Bagger Full |
| 18 | 532 42 17-50 | Paddle Bagger Full |
| 19 | 532 19 42-08 | Pin Cotter |
| 21 | 532 42 99-83 | Bag Asm SRD |
| 22 | 532 14 24-32 | Screw Hex WSH Hi-Lo 1/4 - 1/2 unc |
| 23 | 872 04 04-10 | Bolt Carr 1/4-20 unc x 1-1/4 |
| 25 | 532 42 16-14 | Spring Latch Bagger |
| 26 | 817 49 04-12 | Screw Hex Thdrol 1/4-20 x 3/4 |
| 27 | 532 42 12-62 | Grommet, Rubber SRD |
| 28 | 532 16 57-87 | Grip Handle Black |

NOTE: All component dimensions given in U.S. inches
1 inch = 25.4 mm

