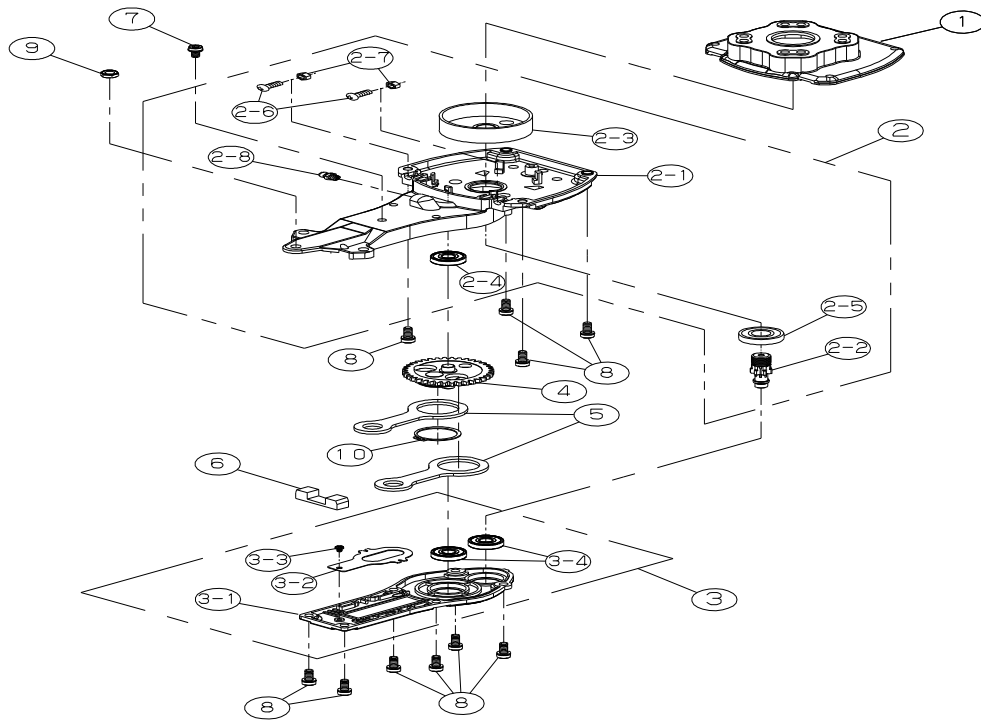
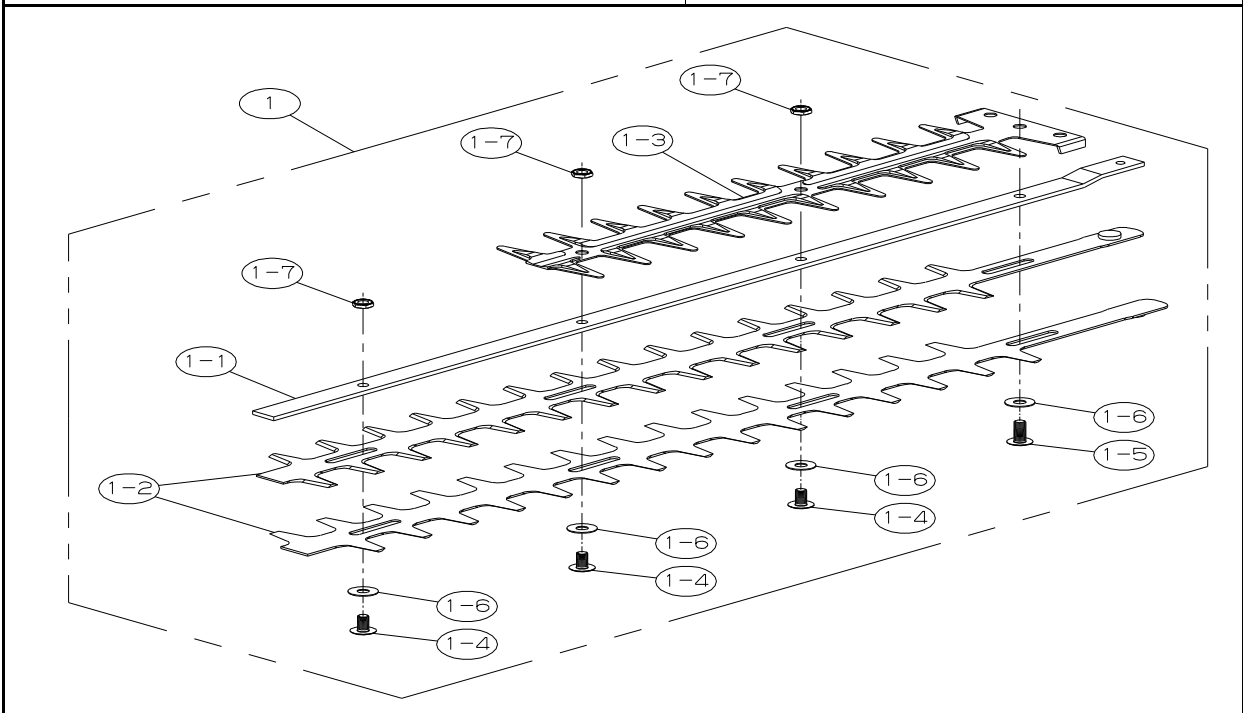


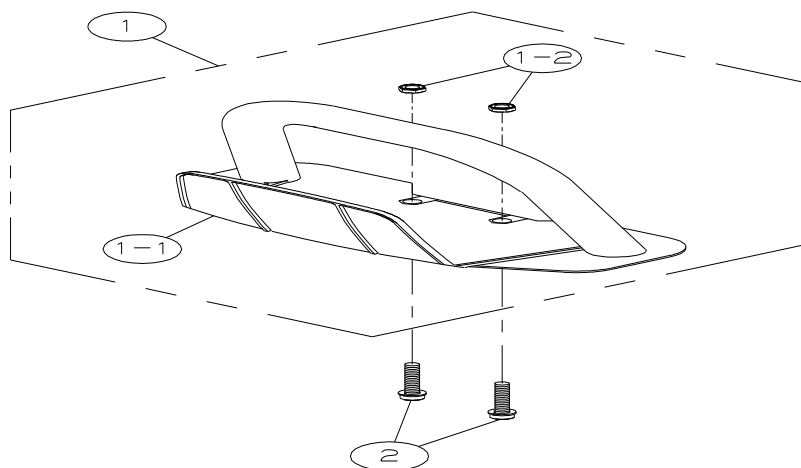
REF No.	CODE	NAME	QTY		REMARKS
1		CRANK CASE	1		
2		BLADE	1		
2-1		FRONT HANDLE	1		
2-2		REAR HANDELE	1		
2-3		ENGINE	1		
2-4	A028-002049	BLADE COVER	1		



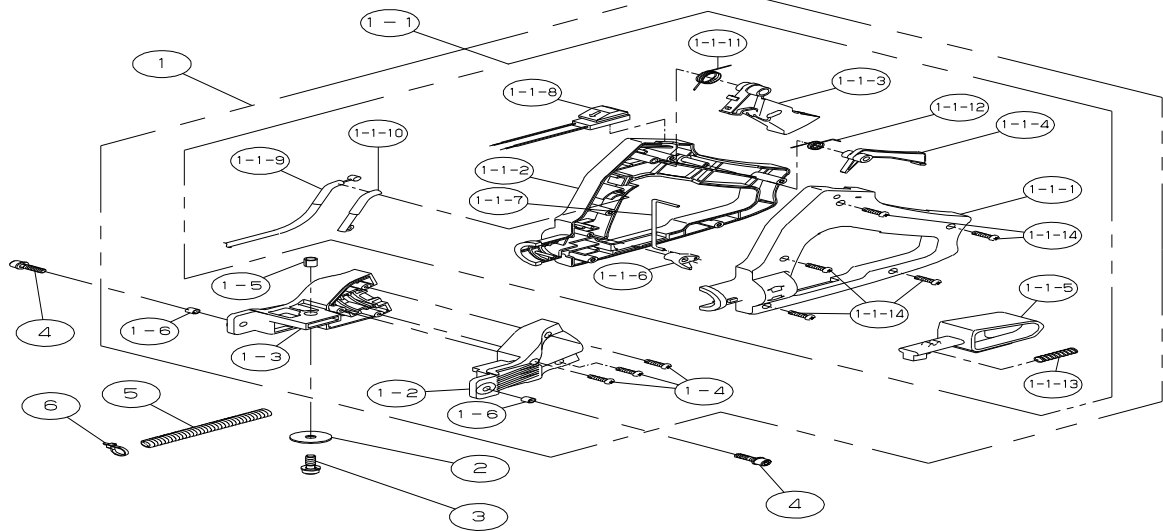
REF No.	CODE	NAME	QTY	PRICE	REMARKS
2-5	K354-060010	BEARING UU 6001	1	¥100	
2-6	K010-050100	SCREW M5 × 10	2	¥15	
2-7	K151-050000	NUT M5	2	¥5	
2-8	R055-000100	GREASE NIPPLE	1	¥40	
3	TE5-0020000	CRANK CASE LOWER ASSY	1	¥1,640	
3-1	TE5-A009000	CRANK CASE LOWER	1	¥800	
3-2	TE1-A065000	SLIDE PLATE	1	¥100	
3-3	K010-030050	SCREW M3 × 5	1	¥10	
3-4	K353-006080	BEARING ZZ 608	2	¥330	
4	TE1-A096000	CRANK GEAR 36	1	¥1,560	
5	TE1-A063000	ROD ASSY	2	¥740	
6	TE1-A067000	FELT	1	¥200	
7	K073-050106	BOLT M5 × 10	1	¥30	
8	K081-05016T	BOLT M5 × 16	10	¥20	
9	K164-060000	NUT M6	1	¥20	
10	K283-026000	SNAP RING STW26	1	¥40	



REF No.	CODE	NAME	QTY		REMARKS
1	TE4-A020600	BLADE ASSY 580D	1		
	TE4-A020700	BLADE ASSY 750D	1		
1-1	TE1-A064000	GUIDE PLATE FOR 580	1		
	TE1-A115000	GUIDE PLATE FOR 750	1		
1-2	TE4-A320601	BLADE FOR 600mm	2	JPY 2,710	
	TE4-A320701	BLADE FOR 750mm	2	JPY 2,710	
1-3	A287-110002	BLADE GUARD	1	JPY 360	
1-4	A040-002009	SCREW	3	JPY 48	
1-5	G040-005000	SCREW	1	JPY 80	
1-6	008-250	WASHER	4	JPY 13	
1-7	K164-060000	NUT M6	3	JPY 21	



REF No.	CODE	NAME	QTY		REMARKS
1	T006-100000	FRONT HANDLE ASSY	1		
1-1	118-155	FRONT HANDLE	1		
1-2	K164-060000	NUT M6	2		
2	K081-06040T	BOLT M6 × 40	2		



REF No.	CODE	NAME	QTY		REMARKS
1	TE2-1051000	REAR HANDLE ASSY	1		
1-1	TE2-1051010	REAR HANDLE SUB ASSY	1		
1-1-1	TE2-1015010	REAR HANDLE L	1		
1-1-2	TE2-1015020	REAR HANDLE R	1		
1-1-3	TE2-1010030	THROTTLE LEVER	1		
1-1-4	TE2-1010040	SAFETY LEVER	1		
1-1-5	TE2-1007050	LOCK LEVER	1		
1-1-6	TE2-1013020	LOCK PIN STOPPER	1		
1-1-7	TE2-1007060	ROD	1		
1-1-8	G014-222004	SLIDE SWITCH 433	1		
1-1-9	G010-002160	THROTTLE CABLE	1		
1-1-10	TE2-1013010	SPACER	1		
1-1-11	G003-000030	TORSION SPRING 1.0 14	1		
1-1-12	G003-000040	TORSION SPRING 0.9 8.4	1		
1-1-13	A002-050004	COMPRESSION SPRING	1		
1-1-14	K110-401602	TAPPING SCREW 4.0×16	5		
1-2	TE2-5014000	HANDLE STAY L	1		
1-3	TE2-5015000	HANDLE STAY R	1		
1-4	K110-401602	TAPPING SCREW 4.0×16	3		
1-5	K232-061000	SPACER 6×10	1		
1-6	K232-050600	SPACER 5×6.0	2		
2	G018-000140	WASHER 6.5 25 1.6	1		
3	K081-060204	BOLT M6×20	1		
4	K078-050204	BOLT M5×20	2		
5	G013-070110	TUBE 110	1		
6	R035-001600	BAND CV-100B	1		