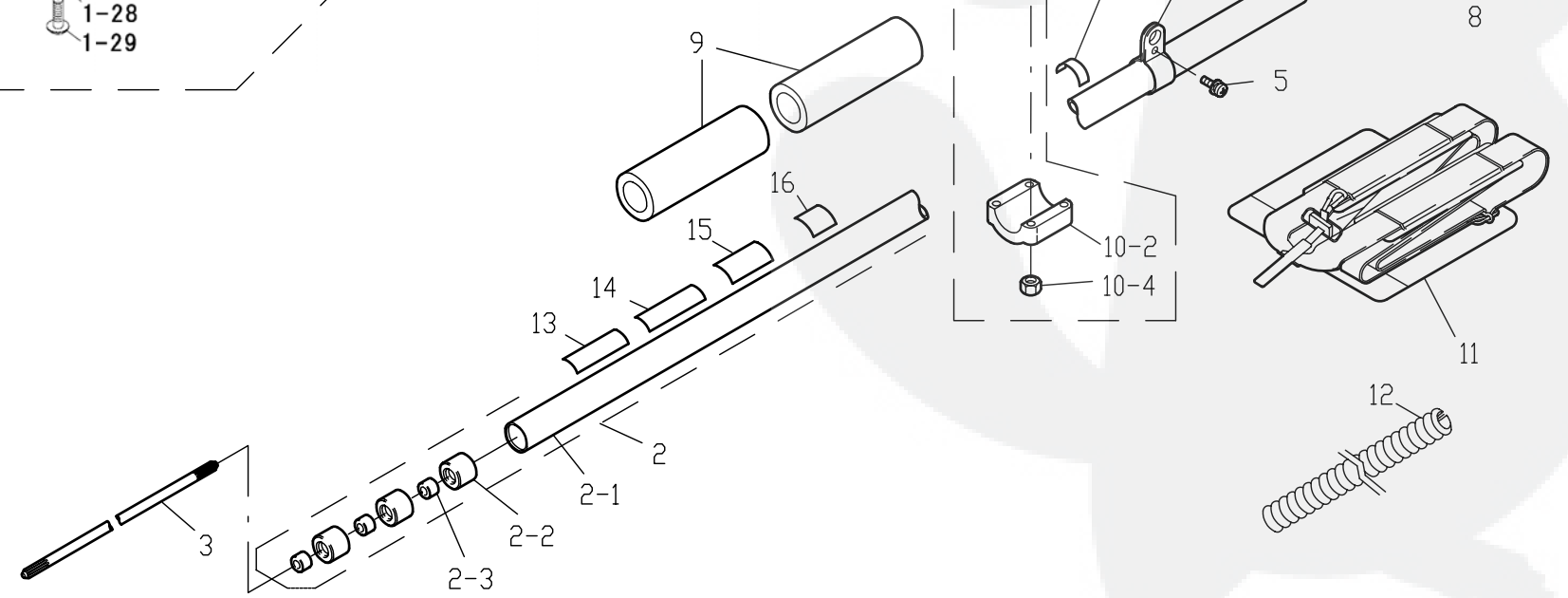
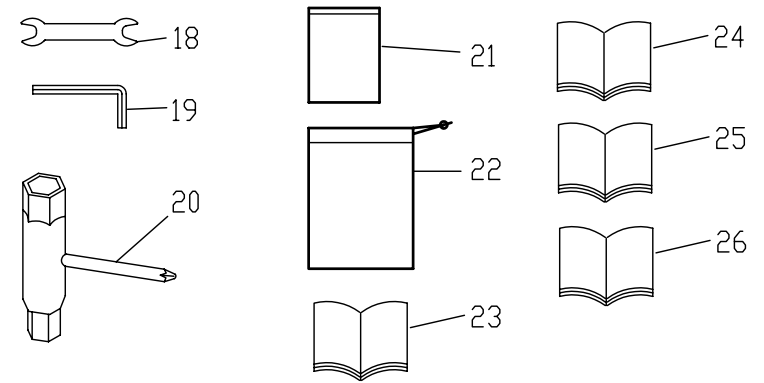
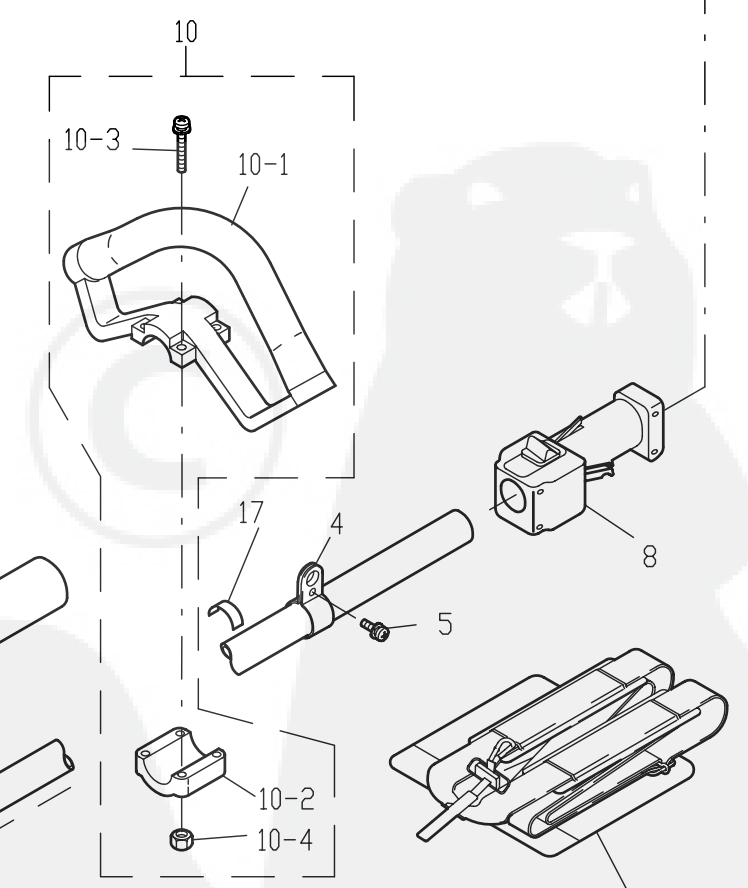
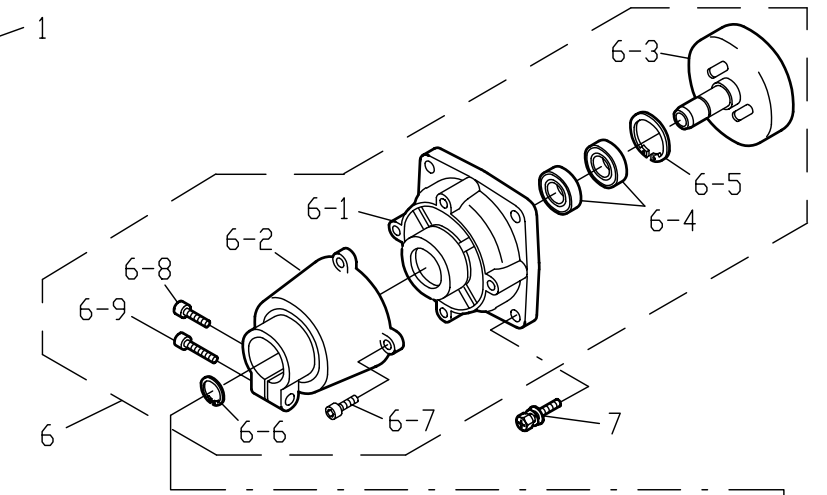
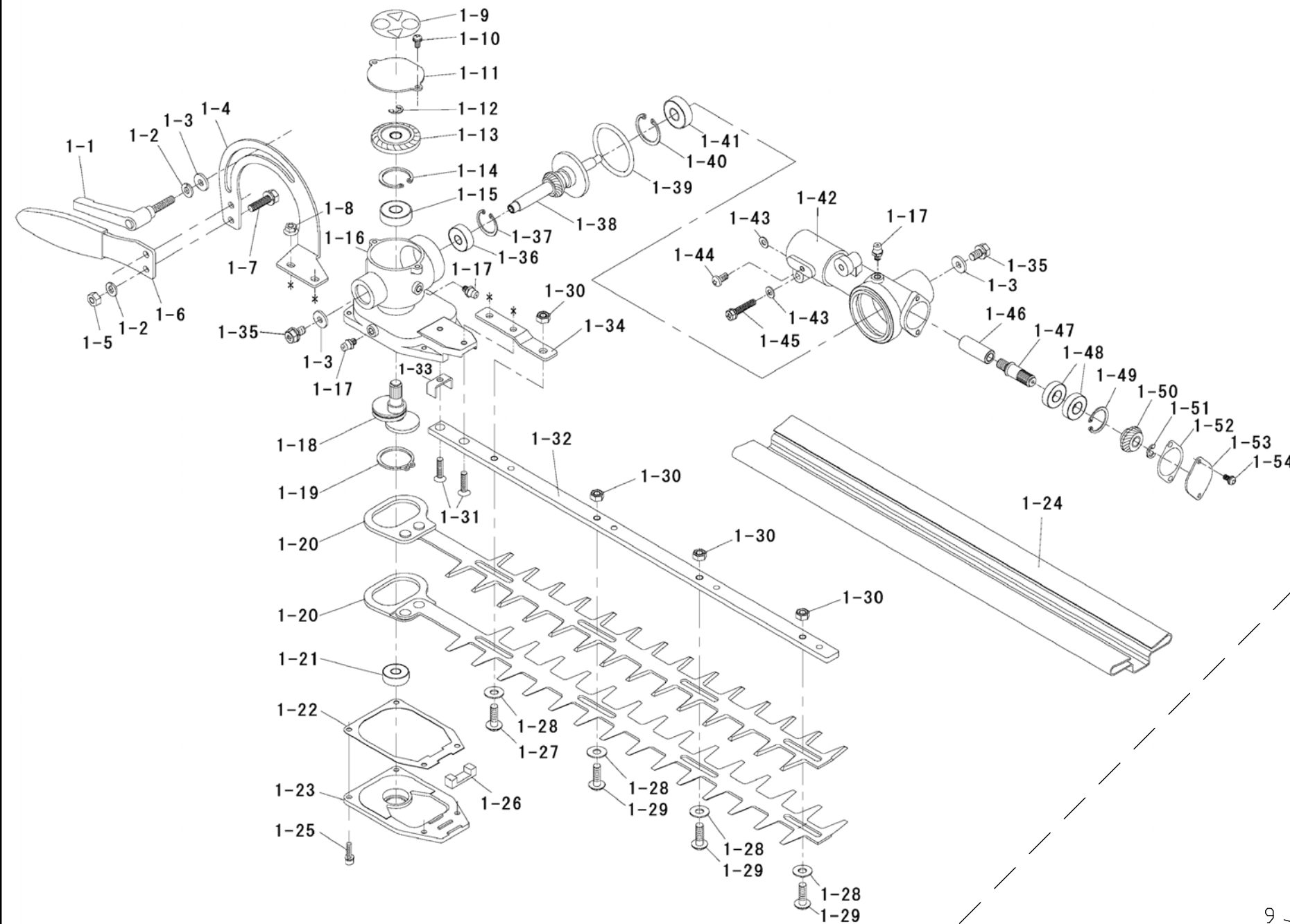


PHT950, PHT1550
0503



HEAD PART OF POLE HEDGE TRIMMER MODEL PHT950 / (1550) 1560

REF NO	PARTS CODE	DESCRIPTION	QTY
1-1	R034-000900	LEVER,CLAMP	1
1-2	K210-060000	WASHER M6	3
1-3	K207-060209	WASHER 6×15×2.0	3
1-4	A224-145003	ANGLE ADJUSTER 135°	1
1-5	K150-060000	NUT M6	2
1-6	A224-141003	HANDLE	1
1-7	K054-060220	BOLT M6×22	2
1-8	K162-050000	NUT M5	2
1-9	A052-172004	LABEL	1
1-10	K016-040080	SCREW	2
1-11	A196-112004	COVER	1
1-12	K280-006000	SNAP RING	1
1-13	A023-500444	BEVEL GEAR	1
1-14	K282-026000	SNAP RING	1
1-15	K354-060000	BEARING 6000	1
1-16	A224-148002	CASING A	1
1-17	R055-000100	GREASE FITTING	3
1-18	A024-000053	CRANK SHAFT	1
1-19	K283-028000	SNAP RING	1
1-20	A224-128009	BLADE 400mm LENGTH	2
	A224-139009	BLADE 600mm LENGTH	2
1-21	K353-006080	BEARING 608Z	1
1-22	A224-154004	PACKING	1
1-23	A224-153003	COVER	1
1-24	A028-200009	BLADE COVER 400mm	1
	A028-200029	BLADE COVER 600mm	1
1-25	K081-040121	BOLT M4×12	4
1-26	A224-112004	FELT	1
1-27	A040-002009	SCREW L19	1
1-28	008-250	WASHER	4
1-29	A040-001009	SCREW L17	3
1-30	K164-060000	NUT M6	4
1-31	K031-050200	SCREW M5×20	2
1-32	A224-107003	GUIDE PLATE 400mm	1
	A224-140003	GUIDE PLATE 600mm	1
1-33	A224-131004	PLATE	1
1-34	A224-108004	PLATE	1
1-35	K054-060120	BOLT M6×12	2
1-36	K354-006080	BEARING 608 2RS	1
1-37	K282-022000	SNAP RING	1
1-38	A224-130004	GEAR SHAFT	1
1-39	K440-P41000	O-RING P41	1
1-40	K282-026000	SNAP RING	1
1-41	K354-060000	BEARING 6000	1
1-42	A224-161000	CASING D	1
1-43	K200-050000	WASHER 5×10×1.0	2
1-44	K010-050100	SCREW M5×10	1
1-45	K054-050250	BOLT M5×25	1
1-46	A224-110004	JOINT	1
1-47	A196-109004	GEAR SHAFT B	1
1-48	K352-069000	BEARING 6900RS	2
1-49	K282-022000	SNAP RING	1
1-50	A023-500434	BEVEL GEAR	1
1-51	K280-006000	SNAP RING	1
1-52	A196-114004	PACKING	1
1-53	A196-113004	COVER	1
1-54	K016-040080	SCREW M4×8	2

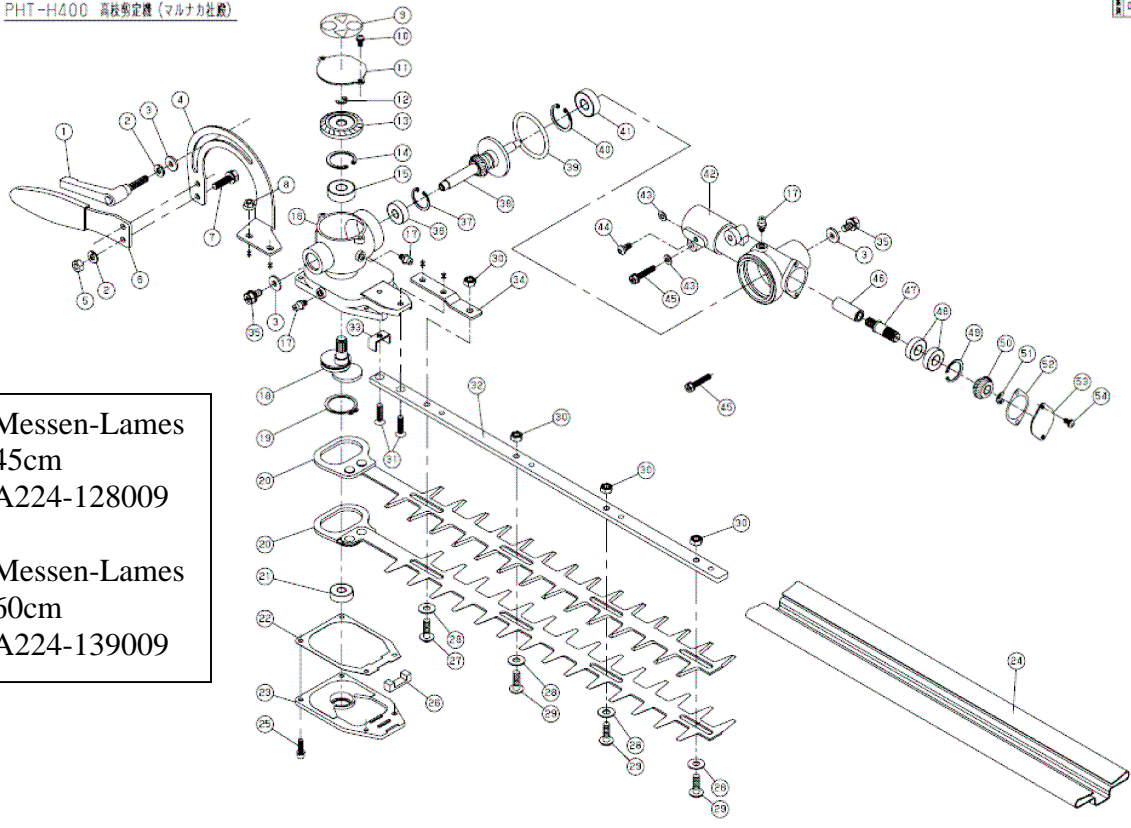
MODEL: P H T - 1 5 5 0

APR. 05, 2005

REF NO.	PARTS NUMBER	DESCRIPTION		QTY	REMARKS
2	800200557	DRIVE SHAFT HOUSING ASSY	C	1	f 24× 1550
2-1	800200485	DRIVE SHAFT HOUSING	C	1	f 24× 1550
2-2	801675694	METAL CUSION	C	6	
2-3	801675695	OIL METAL	C	6	
3	801675696	DRIVE SHAFT	C	1	
4	800200000	HANGER STRAP STEM	C	1	24
5	800024420	SCREW	C	1	M6× 12 (+) 2P
6	800200544	CLUTCH HOUSING ASSY	C	1	
6-3	800200538	CLUTCH DRUM	C	1	
6-4	801676309	BEARING	C	2	6001ZZ
6-5	800200539	STOP RING	C	1	C-28
6-6	800200540	STOP RING	C	1	S-12
6-7	800200541	CAP BOLT	C	4	M5× 14 2P
6-8	800200542	CAP BOLT	C	1	M5× 12 2P
6-9	800200543	CAP BOLT	C	1	M5× 20 2P
7	800018060	BOLT	C	4	M5× 20 (+) 3P
8	801685470	THROTTLE LEVER ASSY	C	1	24
9	800201090	GRIP	C	2	
10	801681482	HANDLE ASSY	C	1	24
11	801667187	HARNESS ASSY	C	1	
12	800200556	TUBE	C	1	f 13× 120
13	801689070	LABEL	C	1	50× 20? CE?
14	801655768	LABEL	C	1	55× 20
15	801690664	LABEL	C	1	25× 40 PHT-1550
16	800200081	LABEL	C	1	40× 36? 106dB?
17	800200019	LABEL	C	1	7× 35
18	801654103	SPANNER	C	1	10× 8
19	801652150	SPANNER	C	1	4
20	800130300	BOX SPANNER	C	1	13
21	800200025	BAG	C	1	118× 168
22	800200026	BAG	C	1	370× 270
24	800201743	MANUAL	C	1	ENGLISH(TJ27)
25	800201744	MANUAL	C	1	FRENCH(TJ27)
26	800201745	MANUAL	C	1	DUTCH(TJ27)

Messen-Lames
45cm
A224-128009

Messen-Lames
60cm
A224-139009



HEAD PART OF POLE HEDGE TRIMMER MODEL PHT950 / 1550

REF.NO	PARTS CODE	DESCRIPTION	QTY	
1	R034-000900	LEVER,CLAMP	1	
2	K210-060000	WASHER M6	3	
3	K207-060209	WASHER 6x15x2.0	3	
4	A224-145003	ANGLE ADJUSTER 135°	1	
5	K150-060000	NUT M6	2	
6	A224-141003	HANDLE	1	
7	K054-060220	BOLT M6x22	2	
8	K162-050000	NUT M5	2	
9	A052-172004	LABEL	1	
10	K016-040080	SCREW	2	
11	A196-112004	COVER	1	
12	K280-006000	SNAP RING	1	
13	A023-500444	BEVEL GEAR	1	
14	K282-026000	SNAP RING	1	
15	K354-060000	BEARING 6000	1	
16	A224-148002	CASING A	1	
17	R055-000100	GREASE FITTING	3	
18	A024-000053	CRANK SHAFT	1	
19	K283-028000	SNAP RING	1	
20	A224-128009	BLADE	2	
21	K353-006080	BEARING 608Z	1	
22	A224-154004	PACKING	1	
23	A224-153003	COVER	1	
24	A028-200009	BLADE COVER	1	
25	K081-040121	BOLT M4x12	4	
26	A224-112004	FELT	1	
27	A040-002009	SCREW L19	1	
28	008-250	WASHER	4	
29	A040-001009	SCREW L17	3	
30	K164-060000	NUT M6	4	
31	K031-050200	SCREW M5x20	2	
32	A224-107003	GUIDE PLATE	1	
33	A224-131004	PLATE	1	
34	A224-108004	PLATE	1	
35	K054-060120	BOLT M6x12	2	
36	K354-006080	BEARING 608 2RS	1	
37	K282-022000	SNAP RING	1	
38	A224-130004	GEAR SHAFT	1	
39	K440-P41000	O-RING P41	1	
40	K282-026000	SNAP RING	1	
41	K354-060000	BEARING 6000	1	
42	A224-161000	CASING D	1	
43	K200-050000	WASHER 5x10x1.0	2	
44	K010-050100	SCREW M5x10	1	
45	K054-050250	BOLT M5x25	1	
46	A224-110004	JOINT	1	
47	A196-109004	GEAR SHAFT B	1	
48	K352-069000	BEARING 6900RS	2	
49	K282-022000	SNAP RING	1	
50	A023-500434	BEVEL GEAR	1	
51	K280-006000	SNAP RING	1	
52	A196-114004	PACKING	1	
53	A196-113004	COVER	1	
54	K016-040080	SCREW M4x8	2	