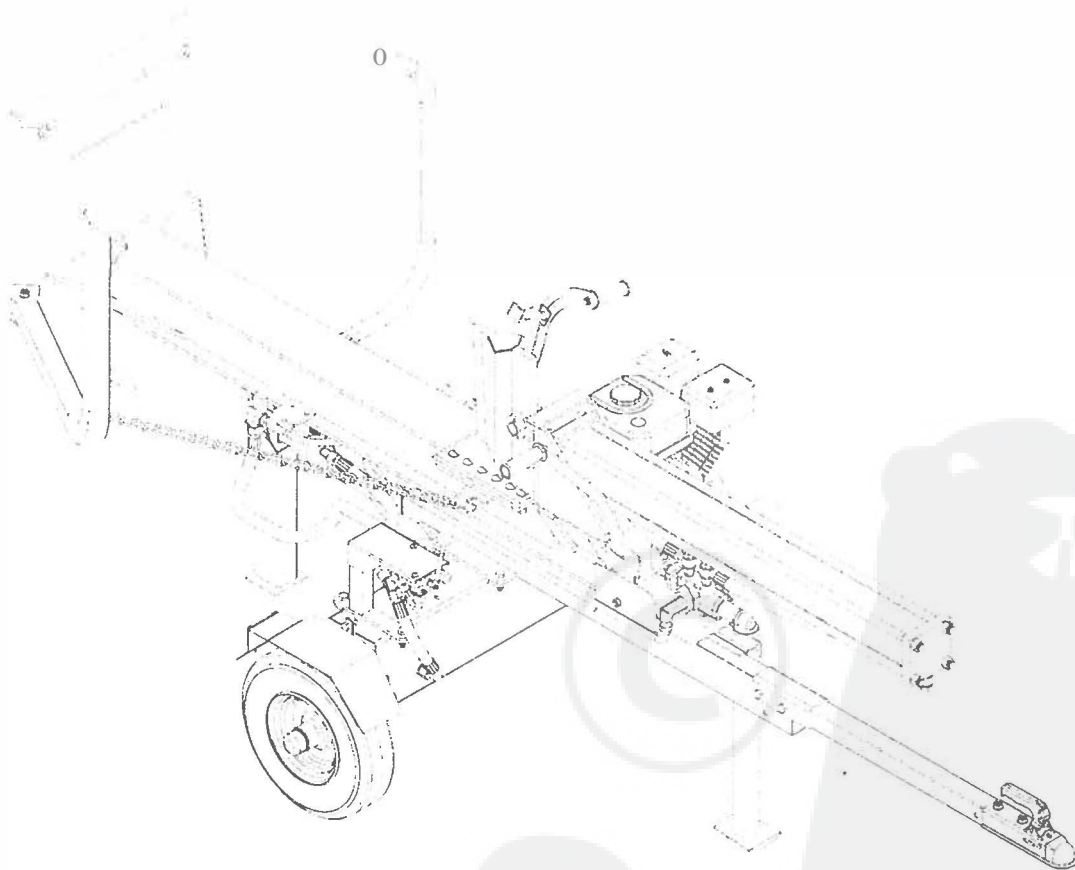


**VERTICALE 20 TON HOUTKLOVER
FENDEUR DE BÛCHES VERTICAL 20 TONNES
VERTIKALER 20 TONNEN HOLZSPALTER
VERTICAL 20 TON LOG SPLITTER**



**Instructie en montage
Instructions et montage
Anweisungen und Montage
Instructions and assembly**

Ref.No.	Drawing No.	Description	Qty
1	LSL2001-01000	Beam	1
2	LSE22-00011	Plastic Plug	1
3	Z330-00017-DX	Key Ring	2
4	Z330-00003-FH	Spring B	2
5	Z330-00008-DX	Pawl B	2
6	LS22J-02100	Log Cradle	1
7	9101-10045-DX8.8	Hex Bolt M10x45	1
8	9302-10000-DX	Large Flat Washer ϕ 10	5
9	9206-10000-DX	Nylon Lock Nut M10	14
10	9101-10035-DX8.8	Hex Bolt M10x35	1
11	9306-10000-DX	Lock Washer ϕ 10	7
12	9301-10000-DX	Flat Washer ϕ 10	14
13	LSL2001-00002	Rotary Mounting	1
14	9206-12000-DX	Nylon Lock Nut M12	20
15	9302-12000-DX	Large Flat Washer ϕ 12	3
16	LSE2203-06000	Presser Foot	1
17	LSE2203-07000	Split Control Handle B	1
18	N600-00003	Handle	2
19	9101-08035-DX8.8	Hex Bolt M8x35	1
20	9206-08000-DX	Nylon Lock Nut M8	12
21	LSL2001-00001	Screw	1
22	9117-12055-DX10.9	Half-round Head Slotted Screw M12x55	10
23	9301-12000-DX	Flat Washer ϕ 12	27
24	9306-12000-DX	Lock Washer ϕ 12	12
25	9210-12000-DX	Hex Thick Nut M12	12
26	9117-12060-DX10.9	Half-round Head Slotted Screw M12x60	2
27	LSL2001-03000	Wedge	1
28	LSH22-00002	Wedge Slide	2
29	LSH22-00001	Wedge Pressing Plate	2
30	9404-04040-DX	Cotter Pin 4*40	3
31	LSL2001-01009	Chain Lift Plate	1
32	LSH22-00003-DX	Wedge Pin	1
33	LSL2001-07000	Cylinder	1
34	T390-20002-DX	Pressure Spring	1
35	LSE14-00012-FH	Tension Spring A	1
36	LSL2001-00003	Valve Connection Plate	1
37	LSL20E-00011	Bayonet Joint Assembly	2
38	9703-14000-DX	Cutting Sleeve	4
39	9215-20000-DX	Cutting Sleeve Nut	4
40	9403-05026-DX	Hinge Pin	1

Ref.No.	Drawing No.	Description	Qty
41	9404-02010-DX	Cotter Pin 2*10	4
42	LSL2001-06000	Joint Pipe	1
43	LSCA22-07001	Control Valve	1
44	LSL2001-00004-DX	Bushing	4
45	LSL2001-00005	Short Tube (Valve-Cylinder)	1
46	9905-00014	Combined Sealing Washer	8
47	LSH22-00005-DX	Bolt Connection	4
48	LSL2001-00006	Long Tube (Valve-Cylinder)	1
49	LSL2001-00007-DX	Metal Hose A	1
50	LSL2001-00008-DX	Metal Hose B	1
51	LSL2001-00010-DX	Handle Positioning Shaft	1
52	9306-08000-DX	Lock Washer φ8	16
53	9301-08000-DX	Flat Washer φ8	13
54	LSL2001-00009	Revering Handle	1
55	LSF3000-00013	Safety Handle Tension Spring	1
56	LSP25-00025	Polyurethane Block	4
57	LSL2001-08001-DX	Throttle Joint	1
58	9301-18000-DX	Flat Washer φ18	4
59	9306-18000-DX	Lock Washer φ18	4
60	9201-18000-DX	Hex Nut M18	4
61	N280-00043	Adjusting Bolt	/
62	LSH22-00004-DX	Valve Joint A	2
63	LSP25-10001	6.5HP Engine	1
64	/	Engine Flat Key	1
65	LSP25-10004	Engine Sleeve	1
66	9101-10075-DX8.8	Hex Bolt M10x75	3
67	LSP25-10002	Engine Coupling	1
68	9101-08025-DX8.8	Hex Bolt M8x25	4
69	9101-05010-DX8.8	Hex Bolt M5x10	4
70	LSL2001-00011-DX	Chain	1
71	LSL2001-02000	Hoist Frame	1
72	9101-12030-DX8.8	Hex Bolt M12x30	1
73	LST37F-04702	Adjusting Screw	1
74	9901-5.3*1.8	O Ring 5.3*1.8	1
75	LST37F-04703	Adjusting Screw Retaining Ring	1
76	LSA22-15000	Rear Support Leg	1
77	LSA22-00015-DX	Hinge Pin	1
78	9101-12100-DX12.9	Hex Bolt M12x100	1
79	N900-00014	Angle Connector	2
80	LSL20E-00006	Hydraulic Hose (Lift Cylinder Hose B)	1

Ref.No.	Drawing No.	Description	Qty
81	LSL20E-00005	Hydraulic Hose (Lift Cylinder Hose A)	1
82	LSL20E-08000	Lift Cylinder	1
83	LSL2001-04000	Tow Bar	1
84	9101-12065-DX12.9	Hex Bolt M12x65	1
85	9101-12040-DX8.8	Hex Bolt M12x40	6
86	LSP25-00003-DX	Spring	1
87	LSP25-00008-DX	Safety Pin	1
88	9404-04036-DX	Cotter Pin 4*36	3
89	9304-60000-FH	Circle for Shaft B Style	1
90	LSM30-07000	Front Support Leg	1
91	9101-12080-DX8.8	Hex Bolt M12x80	3
92	LSL2001-05000	Lengthening Tow Bar	1
93	9101-12070-DX8.8	Hex Bolt M12x70	2
94	Z104	50mm Coupler	1
95	9101-06020-DX8.8	Hex Bolt M6x20	6
96	9306-06000-DX	Lock Washer φ6	6
97	9301-06000-DX	Flat Washer φ6	6
98	LSP25-15000-DX	Oil Filter Mounting Plate	1
99	LSP25-00021	Rubber Washer	1
100	LSP25-00022	Oil Filter	1
101	LSP25-00011-BXG	Clamp	2
102	LSA22-00007	Clear Oil Pipe	1
103	9101-08065-DX8.8	Hex Bolt M8x65	4
104	LSP25-00010-DX	Oil Plug	1
105	9901-14*2.5	O Ring	1
106	LSL20E-00007	Hydraulic Hose	1
107	LSA22-18000	Right Fender	1
108	LSP25-13000	Fill Plug	1
109	LSL20E-03100	Oil Tank	1
110	LSA22-00021	Rubber Wasehr 2	6
111	LSA22-17000	Left Fender	1
112	9101-10030-DX8.8	Hex Bolt M10x30	6
113	LSP25-14000	Wheel	2
114	9301-20000-DX	Flat Washer φ20	2
115	LSP25-00020-FH	Thin Hex Slotted Nut M20x1.5	2
116	LSP25-00009	Axle Cap	2
117	9901-11*2.5	O Ring 11*2.5	5
118	LSL20E-00008-DX	Angle Connector	2
119	9110-08045-DX	Cross Recess Pan Head Screw M8x45	2
120	LSL20E-05000	Valve Mounting Weldment	1

Ref.No.	Drawing No.	Description	Qty
121	LSL20E-00004	Hydraulic Hose (Adapter B-Valve B)	1
122	LSL20E-10001	Small Control Valve	1
123	LSL20E-09003	Throttle Joint	1
124	LSL20E-10002-DX	Junction Plate	2
125	E200-00001	Bakelite Nut M10	1
126	LSL20E-10100	Operating Handle	1
127	9403-05022-DX	Hinge Pin	1
128	9403-05018-DX	Hinge Pin	2
129	LSL20E-00003	Hydraulic Hose (Gear Pump- Adapter A)	1
130	LSH22-08001	Angle Connector	1
131	LSP25-10007	Gear Pump	1
132	9101-08030-DX8.8	Hex Bolt M8x30	4
133	LSP25-10008	Steel Wire Snap Ring for Shaft	1
134	/	Gear Pump Flat Key	1
135	9121-06010-FH	Inner Hex End Set Screw M6x10	1
136	LSP25-10003	Gear Pump Coupling	1
137	LSP25-10005	Gear Pump Stand	1
138	LSP25-10006	Coupling Cover	1
139	9109-06012-DX	Hex Socket Head Cap Screw M6x12	2

