



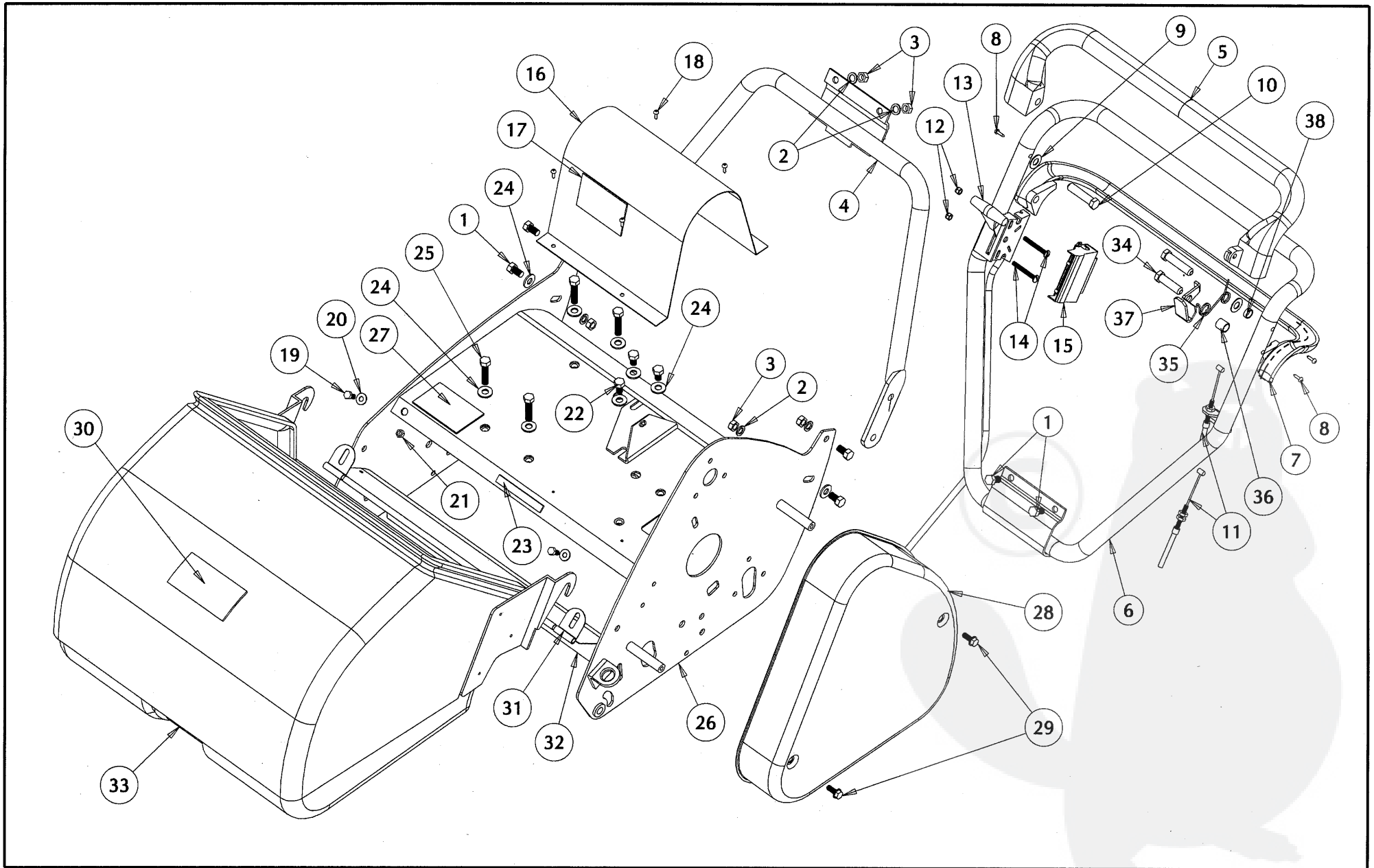
LISTINO RICAMBI

PER MACCHINE ELICOIDALI

VALIDO DAL 01/12/2004



400 H - 500 H - 660 H

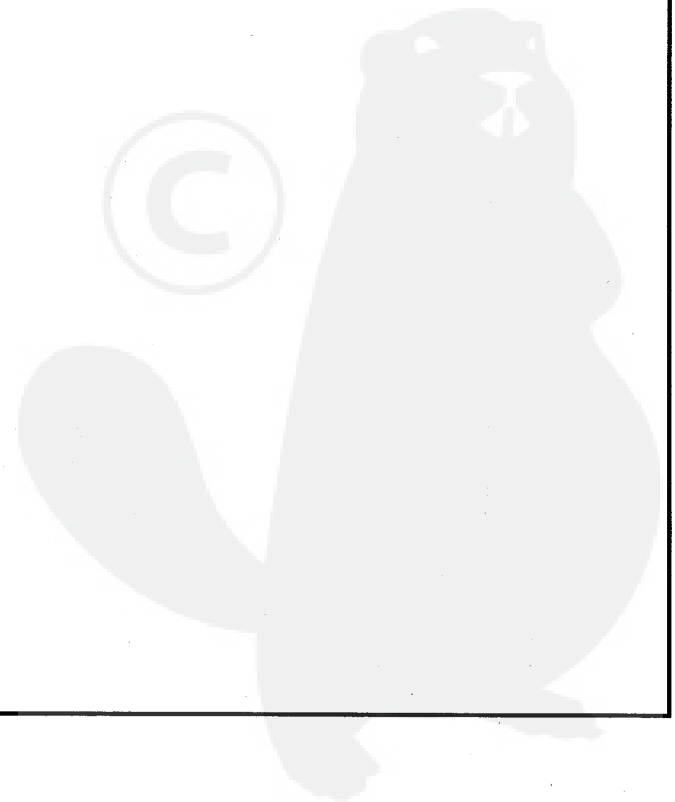


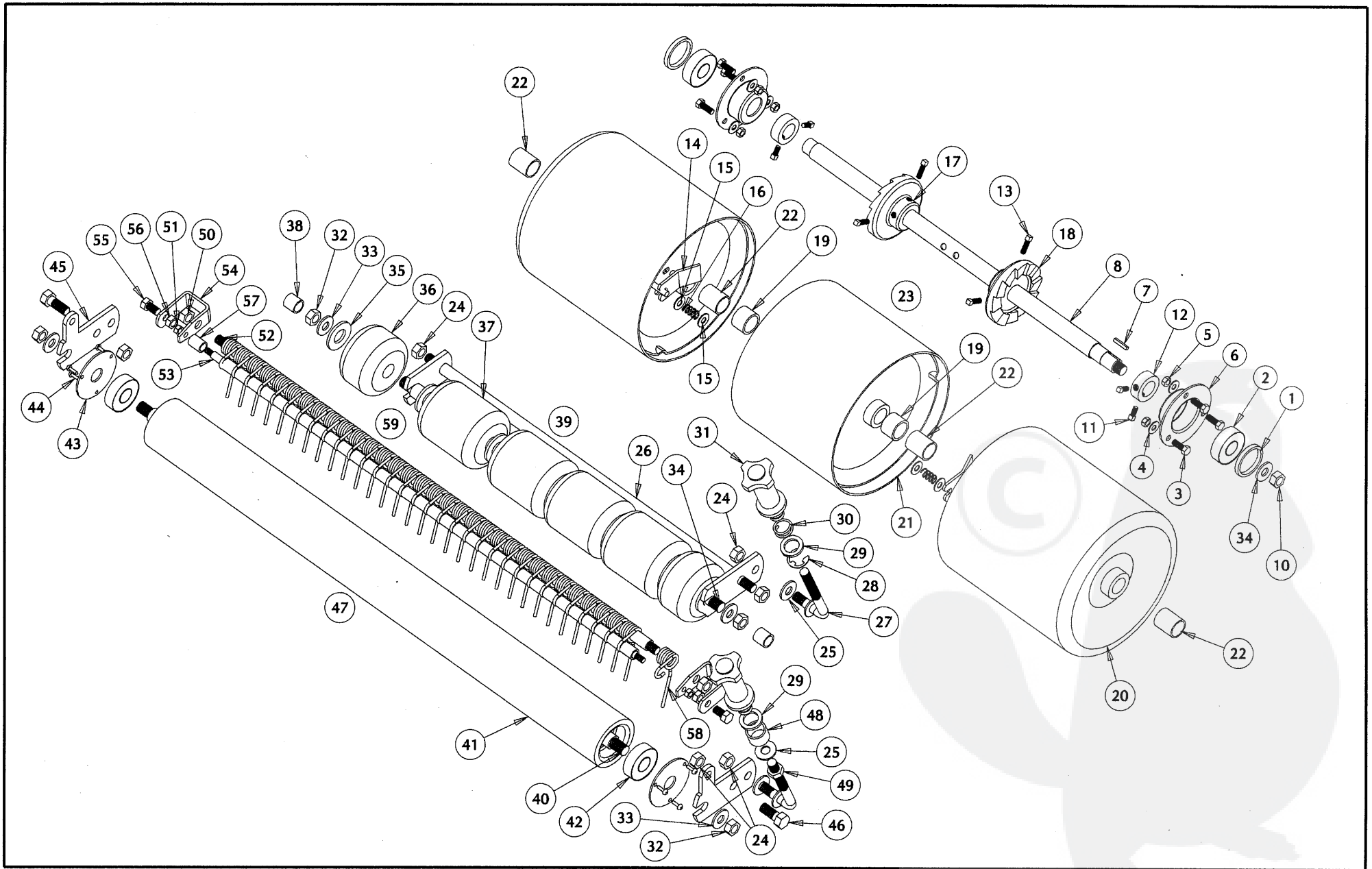


MODEL:TWIN DRIVE REEL MOWER (ALL MODELS) - FRAME ASSEMBLY

v2 Oct 04

| ITEM | DESCRIPTION | PART No | ITEM | DESCRIPTION | PART No | ITEM | DESCRIPTION | PART No |
|------|---------------------------------|------------|------|----------------------------------|------------|------|-------------------------|------------|
| 1 | Bolt ZP M8 x 20 set screw | FBOPL02 | 25 | Bolt HT ZP M8 x 35 set screw | FBOPL35 | 33 | Catcher 400 Orange | L1465-242 |
| 2 | Washer spring ZP M8 | FWAPL58 | 26 | Frame - 400 Orange | L1405-710O | 33 | Catcher 400 Black | L1465-260 |
| 3 | Nut ZP M8 | FNUPL08 | 26 | Frame - 400 Silver | L1405-710S | 33 | Catcher 500 Orange | L1565-242 |
| 4 | Handle Lower 400 | L1450-150 | 26 | Frame - 400 Red | L1405-710R | 33 | Catcher 500 Black | L1565-250 |
| 4 | Handle Lower 500 Chrome | L1550-150 | 26 | Frame - 500 Orange | L1505-710O | 33 | Catcher 660 Orange | L1665-200O |
| 4 | Handle Lower 660 | L1650-150 | 26 | Frame - 500 Silver | L1505-710S | 33 | Catcher 660 Black | L1665-200S |
| 5 | Lever Clutch Reel | L1050-720B | 26 | Frame - 500 Red | L1505-710R | 34 | Boss Safety Catch Pivot | L1050-712z |
| 6 | Handle Upper | L1050-705C | 26 | Frame - 660 Orange | L1605-710O | 35 | Lever lock Spring | L1050-709 |
| 7 | Lever Clutch Reel Lower Blk | L1050-730B | 26 | Frame - 660 Silver | L1605-710S | 36 | Lever Lock Spacer | L1050-707 |
| 8 | Screw Taptite M5 x 10 | L0108-027 | 26 | Frame - 660 Red | L1605-710R | 37 | Lever Lock | L1050-706 |
| 9 | Washer Plastic 10 x 20 x 1 Wide | L1050-715 | 26 | Frame - Sport Orange | L1105-710O | 38 | Spacer Pivot Lever | L1050-717z |
| 10 | Boss Lever Pivot | L1050-710Z | 26 | Frame - Sport Silver | L1105-710S | | | |
| 11 | Cable Clutch Assy | L1050-700 | 26 | Frame - Golf Orange | L1705-710O | | | |
| 12 | Nut Nyloc ZP M5 | FNLPL05 | 26 | Frame - Golf Silver | L1705-710S | | | |
| 13 | Throttle Control | L1050-090 | 27 | Decal Caution | L1070-230 | | | |
| 14 | Screw MC ZP pan head M5 x 40 | FSCPL05 | 28 | Guard Chain Orange | L1010-705O | | | |
| 15 | Throttle Control Cover | L1050-095 | 28 | Guard Chain Silver | L1010-705S | | | |
| 16 | Cover Shaft 400 Orange | L1410-700O | 28 | Guard Chain - 400/500/660 Red | L1010-705R | | | |
| 16 | Cover Shaft 400 Silver | L1410-700S | 29 | Screw Taptite M6 x 16 | L0108-030 | | | |
| 16 | Cover Shaft 400 Red | L1410-700R | 30 | Decal Model 400 Lawnmaster | L1470-145 | | | |
| 16 | Cover Shaft Orange 500/660 | L1510-700O | 30 | Decal Model 400 Trenchex Catcher | L1470-147 | | | |
| 16 | Cover Shaft Silver 500/660 | L1510-700S | 30 | Decal Model 500 Lawnmaster | L1570-145 | | | |
| 16 | Cover Shaft 500/660 Red | L1510-700R | 30 | Decal Model 500 Trenchex Catcher | L1570-147 | | | |
| 17 | Decal Model 400 Lawnmaster | L1470-145 | 30 | Decal Model 660 Lawnmaster | L1670-145 | | | |
| 17 | Decal Model 400 Trenchex | L1470-146 | 30 | Decal Model 660 Trenchex Catcher | L1670-147 | | | |
| 17 | Decal Model 500 Lawnmaster | L1570-145 | 31 | Grass Thrower Tab | L1010-190 | | | |
| 17 | Decal Model 500 Trenchex | L1570-146 | 32 | Grass Thrower 400 Orange | L1410-210 | | | |
| 17 | Decal Model 660 Lawnmaster | L1670-145 | 32 | Grass Thrower 400 Silver | L1410-215 | | | |
| 17 | Decal Model 660 Trenchex | L1670-146 | 32 | Grass Thrower 400 Red | L1410-195R | | | |
| 18 | Screw ZP PHD SLT 6 x 3/8 | FSCPL08 | 32 | Grass Thrower 500 Orange | L1510-210 | | | |
| 19 | Bolt ZP M6 x 12 set screw | FBOPL03 | 32 | Grass Thrower 500 Silver | L1510-215 | | | |
| 20 | Washer Spring M6 | FWAPL56 | 32 | Grass Thrower 500 Red | L1510-195R | | | |
| 21 | Nut M6 | FNUPL06 | 32 | Grass Thrower 660 Orange | L1610-210 | | | |
| 22 | Bolt HT ZP M8 x 16 Set Screw | FBOPL18 | 32 | Grass Thrower 660 Silver | L1610-215 | | | |
| 23 | Decal Razor Cut System | L1070-234 | 32 | Grass Thrower 660 Red | L1610-195R | | | |
| 24 | Washer Flat ZP M8 x 19 x 1.6 | FWAPL08 | | | | | | |



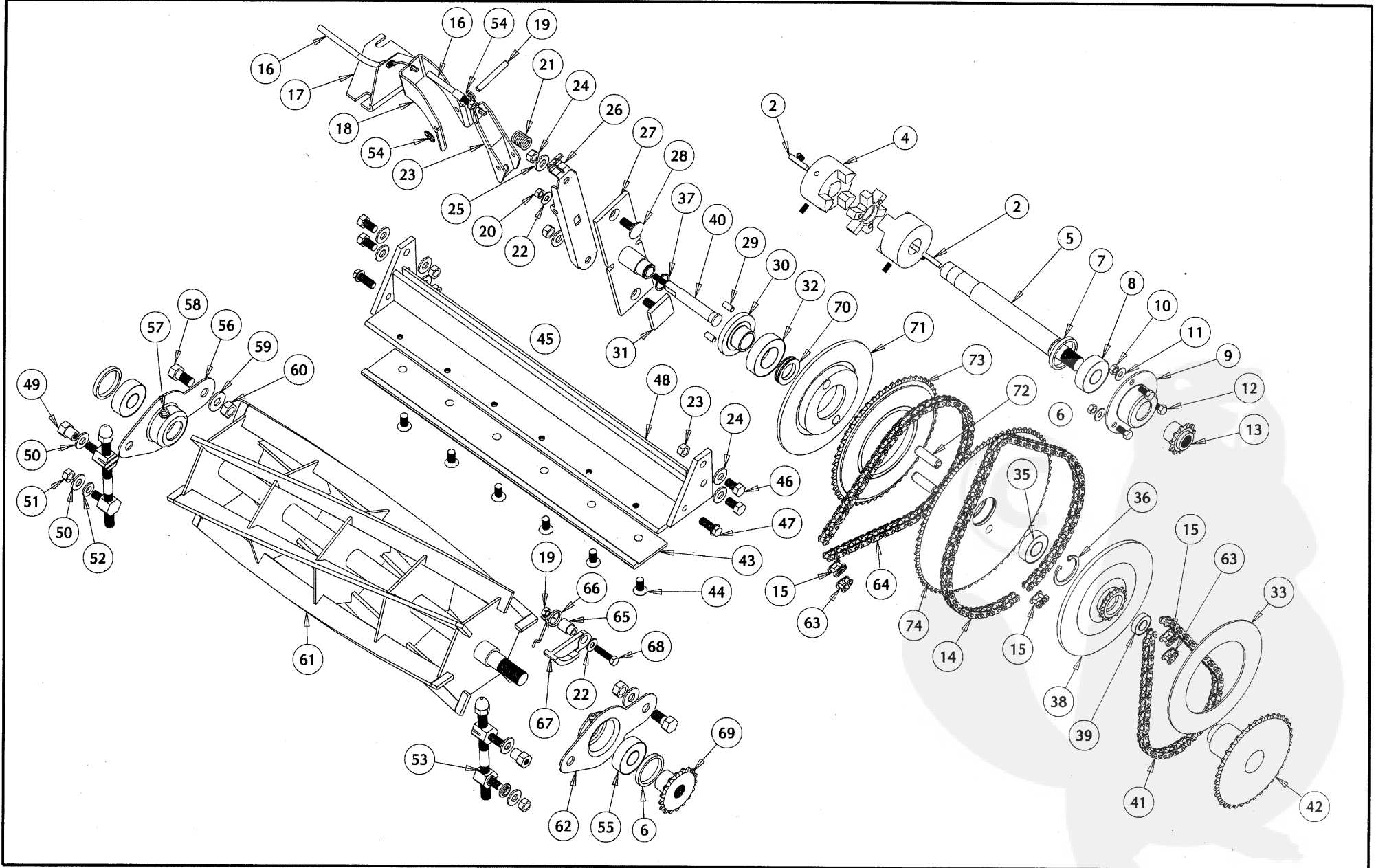




MODEL:TWIN DRIVE REEL MOWER (ALL MODELS) - ROLLER ASSEMBLY

v2 Oct 04

| ITEM | DESCRIPTION | PART No | ITEM | DESCRIPTION | PART No | ITEM | DESCRIPTION | PART No |
|------|---------------------------------------|-----------|------|---------------------------------|-----------|------|------------------------------|-----------|
| 1 | Spacer - Bearing Plastic | L1060-120 | 24 | Nut Nyloc M10 | FNLPL10 | 47 | Front Roller Assy Steel Golf | L1745-350 |
| 2 | Bearing - 17 x 40 x 12 350/400/500 | FBRL080 | 25 | Washer Flat M10 | FWAPL10 | 48 | Handwheel Spacer ZP | L1745-215 |
| 2 | Bearing - 17 x 40 x 12 660 Sport/Golf | FBRL070 | 26 | Front Roller Brkt Assy 400 ZP | L1445-300 | 49 | Nut ZP M10 | FNUPL10 |
| 3 | Bolt - HT M6 x 16 | FBOPL01 | 26 | Front Roller Brkt Assy 500 ZP | L1545-300 | 50 | Nut Nyloc Thin 3/8 UNF | L0111-046 |
| 4 | Washer - Spring M6 | FWAPL56 | 26 | Front Roller Brkt Assy 660 ZP | L1645-300 | 51 | Nut Nyloc ZP M6 | FNLPL06 |
| 5 | Nut M6 | FNUPL06 | 27 | Reel Adjustor Pivot Bolt | L1035-230 | 52 | Turf Rake Shaft 1/2 660 | L1145-130 |
| 6 | Bearing Housing | L1060-145 | 28 | E Clip 5/8 | L0135-025 | 52 | Turf Rake Shaft 1/2 Golf | L1745-130 |
| 7 | Back Roller Drive Key 1/8 x 3/4 | L1030-170 | 29 | Washer Flat M16 x 25 | L0115-016 | 53 | Turf Rake Shaft 5/16 660 | L1145-140 |
| 8 | Back Roller Shaft 400 | L1430-350 | 30 | Front Roller Adj Spring | L1045-220 | 53 | Turf Rake Shaft 5/16 Golf | L1745-140 |
| 8 | Back Roller Shaft 500/Golf | L1530-350 | 31 | Handwheel Front Roller Adjustor | L1045-240 | 54 | Turf Rake Brkt | L1745-105 |
| 8 | Back Roller Shaft 660/Sport | L1630-350 | 32 | Nut Nyloc M12 | FNLPL12 | 55 | Bolt HT ZP M8 x 16 Set Screw | FBOPL18 |
| 9 | | | 33 | Washer Flat ZP M12 | FWAPL12 | 56 | Nut Nyloc ZP M8 | FNLPL08 |
| 10 | Nut ZP Half M12 | L0110-013 | 34 | Front Roller Shaft 400 ZP | L1445-395 | 57 | Turf Rake Spacer | L1745-115 |
| 11 | Screw Sqhd Cup Point 5/16 x 3/8 | L0107-040 | 34 | Front Roller Shaft 500 ZP | L1545-395 | 58 | Turf Rake Tyne | L1745-120 |
| 12 | Back Roller Locking Collar | L1030-230 | 34 | Front Roller Shaft 660 ZP | L1645-395 | 59 | Turf Rake Assy 660 | L1145-150 |
| 13 | Screw Sqhd Cup Point 5/16 x 5/8 | L0107-041 | 35 | Washer Flat ZP M16 x 34 x 3.0 | L0115-056 | 59 | Turf Rake Assy Golf | L1745-150 |
| 14 | Back Roller Pawl | L1030-290 | 36 | Wooden Roller 45mm | L1045-385 | | | |
| 15 | Washer Flat ZP 1/4 | L0115-040 | 37 | Wooden Roller 82mm | L1045-390 | | | |
| 16 | Back Roller Pawl Spring | L1030-270 | 38 | Front Roller Spacer 500 | L1545-350 | | | |
| 17 | Back Roller Ratchet RH | L1030-250 | 39 | Front Roller Assy 400 | L1445-400 | | | |
| 18 | Back Roller Ratchet LH | L1030-245 | 39 | Front Roller Assy 500 | L1545-400 | | | |
| 19 | Back Roller Spacing Tube 660 | L1630-200 | 39 | Front Roller Assy Compl 660 | L1645-400 | | | |
| 20 | Back Roller Drum 400 | L1430-330 | 40 | Front Roller Shaft 660 | L1145-340 | | | |
| 20 | Back Roller Drum Golf | L1730-330 | 40 | Front Roller Shaft Golf | L1745-340 | | | |
| 20 | Back Roller Drum Assy 500/600 | L1530-330 | 41 | Front Roller Steel Tube 660 | L1145-345 | | | |
| 21 | Back Roller Centre Drum 660 | L1630-305 | 41 | Front Roller Steel Tube Golf | L1745-345 | | | |
| 22 | Sintered Bush Golf | L1730-190 | 42 | Bearing 6203-ZZ | FBRL080 | | | |
| 23 | Back Roller Assy 400 | L1430-450 | 43 | End Cap | L1745-335 | | | |
| 23 | Back Roller Assy 500 | L1530-450 | 44 | Screw ZP PHD SLT 6 x 3/8 | FSCPL08 | | | |
| 23 | Back Roller Assy 660 | L1630-450 | 45 | Front Roller Brkt | L1745-200 | | | |
| 23 | Back Roller Assy Golf | L1730-400 | 46 | Bolt Eng ZP M10 x 25 | FBOPL85 | | | |
| | | | 47 | Front Roller Assy Steel 660 | L1145-350 | | | |





MODEL:TWIN DRIVE REEL MOWER (ALL MODELS) - DRIVE SYSTEM

v2 Oct 04

| ITEM | DESCRIPTION | PART No | ITEM | DESCRIPTION | PART No | ITEM | DESCRIPTION | PART No |
|------|----------------------------------|------------|------|--|-----------|------|--------------------------------|-----------|
| 1 | Engine-Tecumseh | L0200-110 | 28 | Bolt Cup HD ZP M8 x 20 | FBOPL21 | 54 | M6 Starlock push on fix | L0135-015 |
| 1 | Engine-Briggs & Stratton | L0200-120 | 29 | Pin Clutch Thrust | L1020-726 | 55 | Bearing 6203-Z | FBRL070 |
| 2 | Key 3/16 x 1 | L1015-385 | 30 | Block Clutch Thrust | L1020-725 | 56 | Reel Housing RH PTD | L1035-215 |
| 3 | | | 31 | Plate Clamp Clutch | L1020-765 | 57 | Grease Nipple 1/4 SAE Straight | L1060-110 |
| 4 | Coupling Inline 3/4" x 3/4" | L1015-700 | 32 | Bearing - 25x47x12 wide | FBRL130 | 58 | Reel Adj Pivot Bolt | L1035-230 |
| 4 | Coupling Inline 5/8" x 3/4" | L1015-705 | 33 | Lining Clutch 2mm | L1020-760 | 59 | Reel Brg Housing Washer 3/8 | L1035-200 |
| 5 | Bar Drive 400 3/4" | L1415-700B | 34 | | | 60 | Nut Nyloc 3/8 UNF | FNLPL45 |
| 5 | Bar Drive 400 5/8" | L1415-710B | 35 | Bearing 17x35x10 6003-ZZ/2RS | FBRL120 | 61 | Reel Complete 400 | L1435-400 |
| 5 | Bar Drive 500/660 3/4" | L1515-700B | 36 | Circlip Internal 035 | L0135-064 | 61 | Reel Compl 500 | L1535-400 |
| 5 | Bar Drive 500/660 5/8" | L1515-710B | 37 | Circlip External 017 | L0135-063 | 61 | Reel Compl 660 | L1635-400 |
| 6 | Bar drive Assembly 400 3/4" | L1415-705 | 38 | Plate Clutch Roller W/A | L1020-730 | 61 | Reel Compl Golf | L1735-400 |
| 6 | Bar drive Assembly 400 5/8" | L1415-715 | 39 | Bearing12x24x6 61901-2RS1 | FBRL110 | 61 | Reel Compl Sport | L1135-400 |
| 6 | Bar drive Assembly 500/660 3/4" | L1515-705 | 40 | Bar Clutch Control | L1020-715 | 62 | Reel Bearing Housing LH | L1035-205 |
| 6 | Bar drive Assembly 500/660 5/8" | L1515-715 | 41 | Chain 3/8 35-1 53P Endless | L1025-716 | 63 | Chain Half Link 3/8 | L1025-480 |
| 7 | Bearing Spacer Plastic | L1060-120 | 42 | Sprocket Roller 39 T | L1020-753 | 64 | Chain 3/8 35-1 67P Endless | L1025-720 |
| 8 | Bearing 6203-2RS | FBRL080 | 43 | Bottom Blade 400 | L1440-300 | 65 | Boss - Chain Tension | L1025-700 |
| 9 | Bearing Housing | L1060-145 | 43 | Bottom Blade 500 | L1540-300 | 66 | Spring - Torsion Reel | L1025-705 |
| 10 | Nut M6 | FNUPL06 | 43 | Bottom Blade 660 | L1640-300 | 67 | Shoe - Chain Tension | L1025-710 |
| 11 | Washer Spring M6 | FWAPL56 | 43 | Bottom Blade Golf | L1740-295 | 68 | Bolt HT M6 x 30 | FBOPL09 |
| 12 | Bolt HT M6 x 16 | FBOPL01 | 43 | Bottom Blade 660C | L1640-295 | 69 | Sprocket Reel 17 Teeth | L1020-755 |
| 13 | Sprocket Motor 10 Teeth | L1020-741 | 44 | Screw MC ZP CSK SLT 5/16 x 1/2 | FSCPL41 | 70 | Spring Disc (Bissell) | L1020-762 |
| 14 | Chain 3/8 35-1 72P Endless | L1025-725 | 45 | Bottom Blade 400 Assy | L1440-450 | 71 | Plate Drive | L1020-810 |
| 15 | Chain Con Link 3/8 | L1025-490 | 45 | Bottom Blade Assy 500 | L1540-450 | 72 | Roll pin | L1020-739 |
| 16 | Cable Clutch Assy | L1050-700 | 45 | Bottom Blade Assy 660 | L1640-450 | 73 | Sprocket Clutch Reel 51T | L1020-732 |
| 17 | Bracket - Cable Retainer W/A Ptd | L1020-785B | 45 | Bottom Blade Assy Golf | L1740-450 | 74 | Sprocket Clutch 66 Teeth | L1020-800 |
| 18 | Bracket Clutch Reel ZP | L1020-710Z | 45 | Bottom Blade Assy 660C | L1640-460 | | | |
| 19 | Pin 6 x 45 Long ZP | L1020-770Z | 46 | Bolt HT ZP M8 x 20 setscrew grade 10.9 | FBOPL02 | | | |
| 20 | Nut Nyloc ZP M6 | FNLPL06 | 47 | Screw Taptite | L0108-039 | | | |
| 21 | Spring | L1220-395 | 48 | Carrier-Bottom Blade 400 | L1440-390 | | | |
| 22 | Washer flat ZP M6 x 16 x 1.2 | FWAPL06 | 48 | Carrier-Bottom Blade 500 | L1540-390 | | | |
| 23 | Lever Clutch Roller ZP | L1020-700Z | 48 | Carrier-Bottom Blade 660 | L1640-390 | | | |
| 24 | Nut ZP M8 | FNUPL08 | 49 | Catcher Stud | L1035-240 | | | |
| 25 | Washer spring ZP M8 | FWAPL58 | 50 | Washer Flat ZP M8 x 19 x 1.6 | FWAPL08 | | | |
| 26 | Bracket Clutch Roller ZP | L1020-705Z | 51 | Nut Nyloc ZP Thin 5/16 UNF | L0111-041 | | | |
| 27 | Plate Clutch Mount W/A | L1020-720 | 52 | Reel Brg Housing Washer 5/16 | L1035-202 | | | |
| | | | 53 | Reel Adj Complete | L1035-290 | | | |