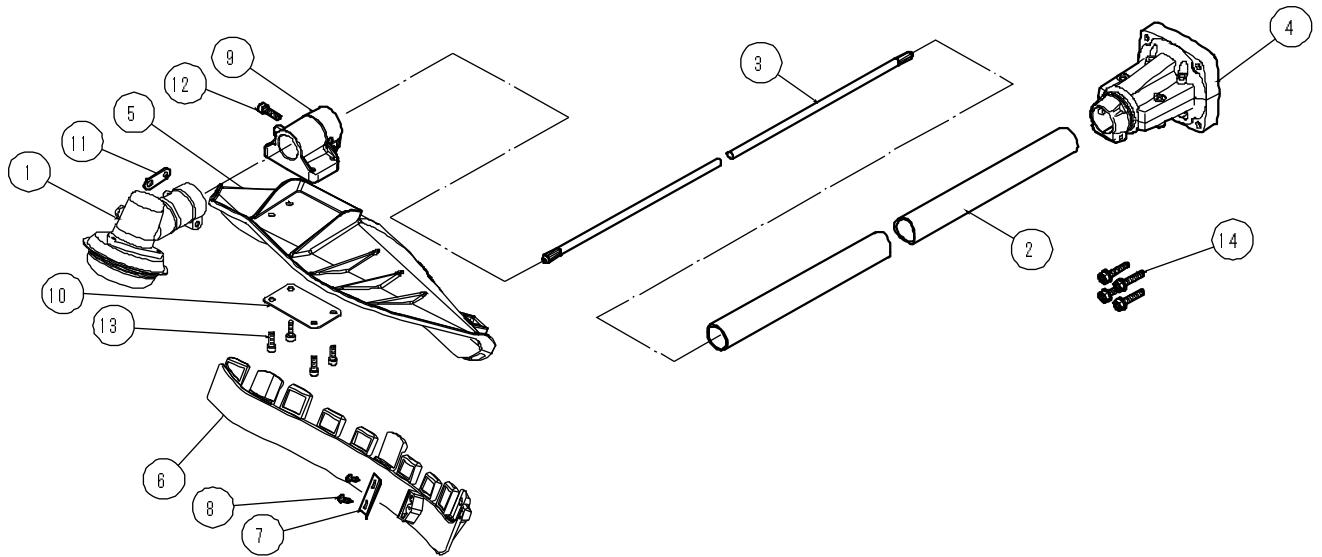
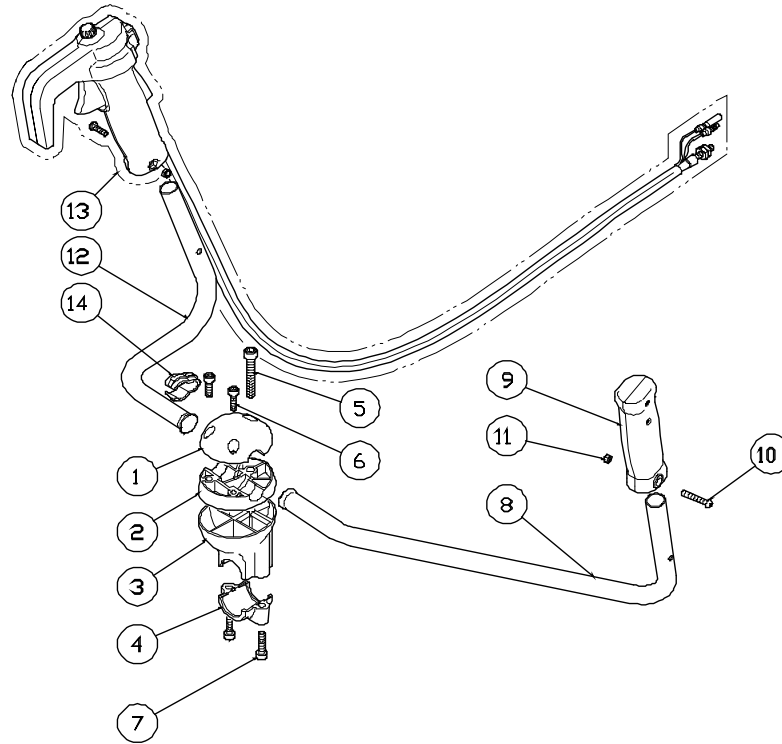


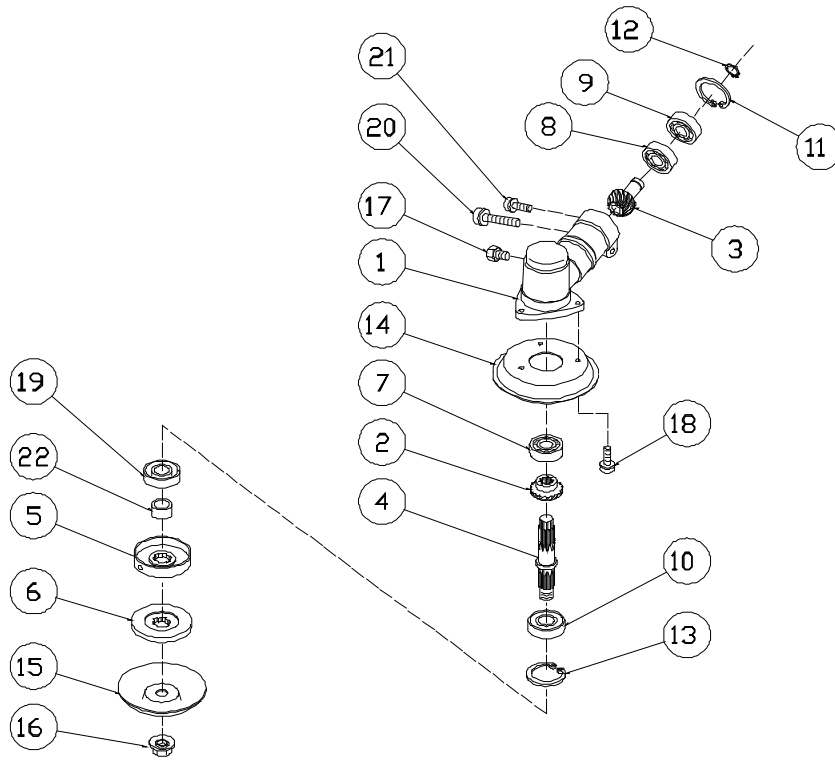
REF No.	CODE	NAME	QTY	REMARKS
1		SHAFT SET	1	26
2		HANDLE SET	1	W type
3	800200036	HANDLE DAMPER	1	for 26
4	801675723	WIRE GUIDE	2	for 26
5	801675710	HANGER STRAP STEM	1	for 26
6	800200001	SCREW	2	M6 × 12 (+)2P
7	801668671	HARNESS ASSY	1	Double belt
8	800200380	LABEL	1	178 × 35 PL
9	800204466	LABEL	1	106 × 20 CE08
10	800204456	LABEL	1	53 × 20 Model+dB
11	800201167	LABEL	1	143 × 29 MARUNAKA
12	800204464	LABEL	1	Φ20 Made in Japan
13	801688381	EYE PROTECTOR	1	
14	800200023	SPANNER	1	10 × 8
15	800200022	SPANNER	1	#4
16	800200042	SPANNER	1	#5
17	800200043	SPANNER	1	#6
18	800203745	SPANNER	1	16 × 19
19	800200111	CABLE ASSY	1	80mm
20	800200034	SCREW	1	M5 × 10(+ )2P
21	800200511	PROTECTOR	2	1Set
22	801689082	BAG	1	82 × 60
23	800200025	BAG	1	118 × 168
24	800200026	BAG	1	370 × 270
25	800204407	MANUAL	1	A4



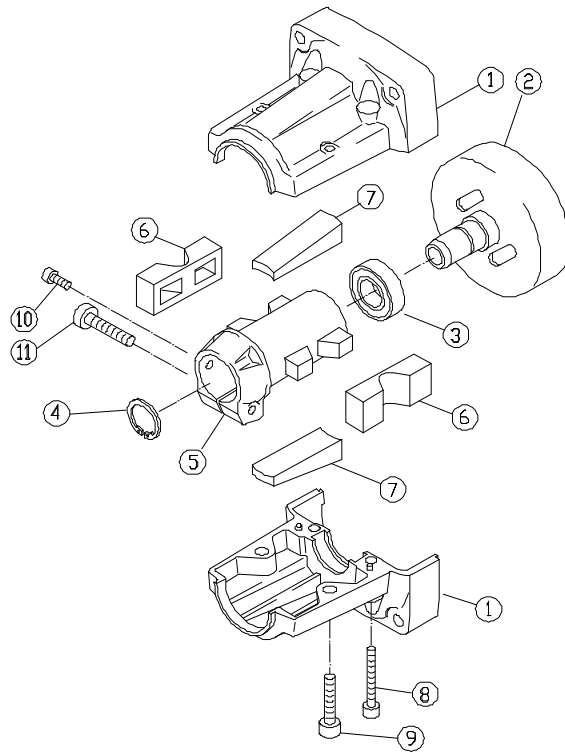
REF No.	CODE	NAME	QTY	REMARKS
1	801675707	GEAR CASE ASS'Y	1	for 26
2	801675708	DRIVE SHAFT HOUSING ASS'Y	1	$\phi 26 \times 1545$
2,1	801675709	DRIVE SHAFT HOUSING	1	$\phi 26 \times t1.6 \times 1545$
2,2	800203600	METAL CUSHION	6	M-6
2,3	800200029	OIL METAL	6	$\phi 8 \times \phi 14 \times 10$
3	801666942	DRIVE SHAFT	1	$\phi 8 \times 1593$
4	800202421	CLUTCH CASE ASSY	1	for 26
5	800205017	<del>800204579</del> SAFETY GUARD	1	RED
6	800201971	SAFETY GUARD	1	
7	800201972	CUTTER	1	$38 \times 31.7 \times t1$
8	800200460	SCREW	2	#4 $\times$ 12(+) 2P
9	800204577	SAFETY GUARD HOLDER	1	for 26
10	800204580	SAFETY GUARD HOLDER(PLATE)	1	$72 \times 40 \times t1.5$
11	801675703	CONNECTOR	1	$35 \times 12 \times t1.5$
12	800200012	CAP BOLT	1	M5 $\times$ 20
13	800200013	CAP BOLT	4	M5 $\times$ 16
14	800200035	BOLT	4	M6 $\times$ 30 (+)3P



REF No.	CODE	NAME	QTY	REMARKS
	800204417	HANDLE SET	1	W type
1	800202149	HANDLE HOLDER	1	for 19
2	800202150	HANDLE HOLDER	1	for 19
3	801675714	HANDLE HOLDER	1	
4	801675715	HANDLE HOLDER	1	
5	800200037	BOLT	1	M8 × 50
6	800200038	BOLT	2	M6 × 20
7	800200039	BOLT	2	M6 × 25
8	801675716	HANDLE	1	φ 19.1 × t1.2 LEFT
9	801655825	GRIP ASSY	1	
10	800203739	SCREW	2	M5 × 30(+)
11	800201048	NUT	2	M5
12	801675717	HANDLE	1	φ 19.1 × t1.2 RIGHT
13	801695932	THROTTLE LEVER ASSY	1	
14	801675722	WIRE GUIDE	1	for 19



REF No.	CODE	NAME	QTY	REMARKS
	801675707	GEAR CASE ASS'Y	1	for 26
1	801676365	GEAR CASE	1	for 26
2	801676366	BEVEL GEAR	1	
3	801676367	PINION	1	
4	801676368	GEAR SHAFT	1	
5	801676369	HOLDER(A)	1	
6	801676370	HOLDER(B)	1	
7	800045020	BEARING	1	6000
8	800045020	BEARING	1	6000
9	800045500	BEARING	1	6000Z
10	801676371	BEARING	1	6201
11	800083160	STOP RING	1	26
12	800082010	STOP RING	1	10
13	800083190	STOP RING	1	32
14	801676372	GEAR CASE COVER	1	$\phi 40 \times \phi 88$
15	801676373	NUT COVER	1	$\phi 10 \times \phi 73$
16	801676374	NUT	1	M10×1.25
17	800010505	BOLT	1	M6×8
18	801676360	SCREW	3	M4×8(+ ) 2P
19	801676375	OIL SEAL	1	TC17327
20	801676376	CAP BOLT	1	M6×28 2P
21	801676363	CAP BOLT	1	M5×10 2P
22	801676364	COLLAR	1	$\phi 12 \times \phi 17 \times 9.5$



REF No.	CODE	NAME	QTY	REMARKS	
	800202421	CLUTCH CASE ASSY	1	for 26	
1	800202144	CLUTCH HOUSING	1	94.35×92×46	
2	801688365	CLUTCH DRUM	1	φ 78	
3	800200004	BEARING	1	6002ZZ	
4	800200006	STOP RING	1	S-15	
5	800202145	CLUTCH HOUSING HOLDER	1	for 26	
6	801693572	HOUSING DAMPER	2	20×50×13	
7	801652258	HOUSING DAMPER	2		
8	800200032	CAP BOLT	2	M5×30	
9	800200033	CAP BOLT	2	M6×25	
10	800200034	SCREW	1	M5×10 (+)2P	
11	800200035	BOLT	1	M6×30 (+)3P	